



## **Reservdelskatalog Parts Catalogue**

# **928E**

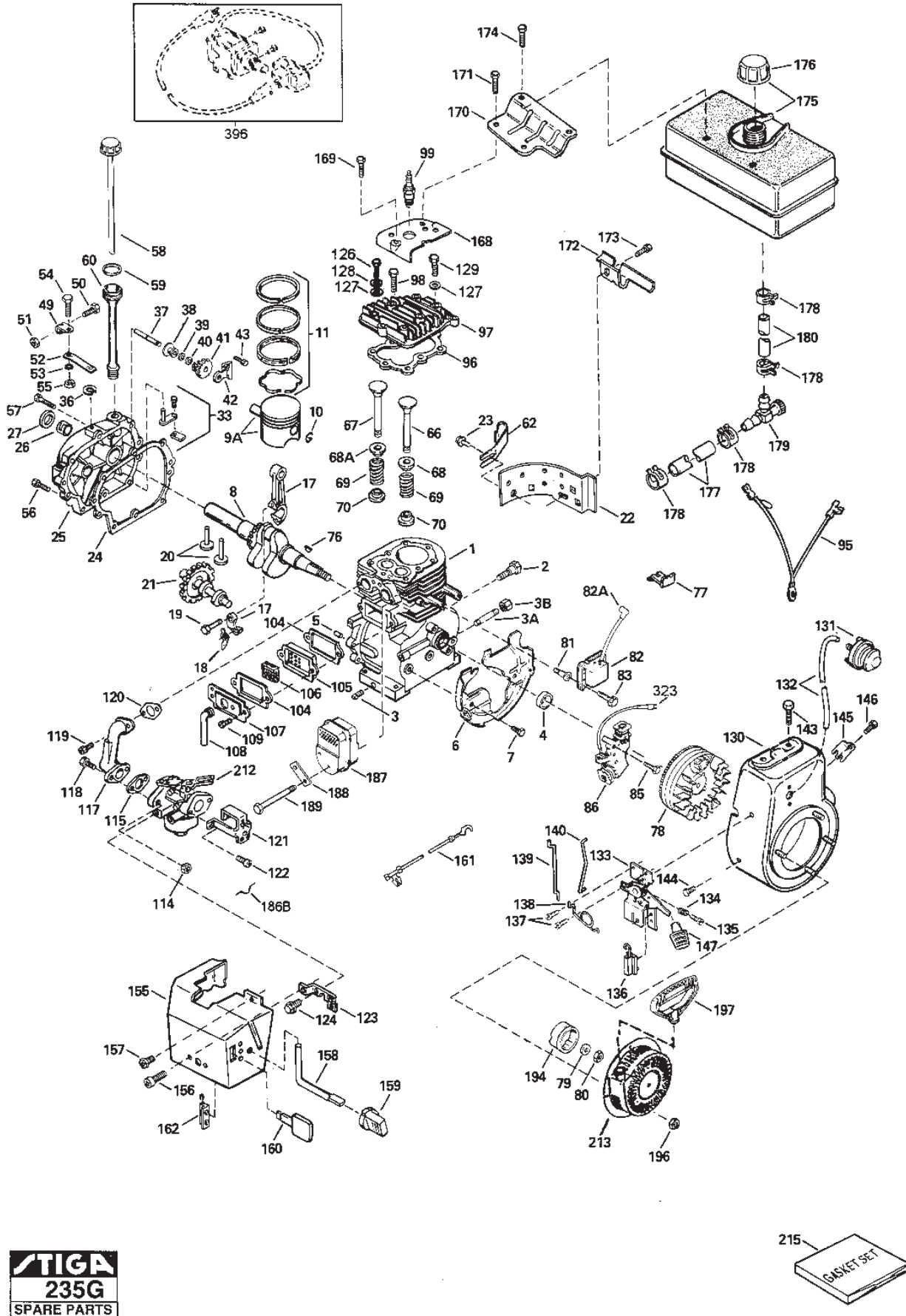
**18-2837-18 - Season 1997**

- Use GLOBAL GARDEN PRODUCT Genuine Spare Parts specified in the parts list for repair and/or replacement.
  - The contents described in the parts list may change due to improvement.
  - The drawings of the spare parts are only indicative and might not represent the part in question exactly.
  - The indications "right" - "left" - "front" - "rear" refer to the position of the operator when using the machine.
- When placing orders of parts for repair and/or replacement, make sure that the illustrated parts list is the one applying to the machine's year of manufacture, as shown on the identification plate attached to the machine.

© Copyright 2014 Global Garden Products

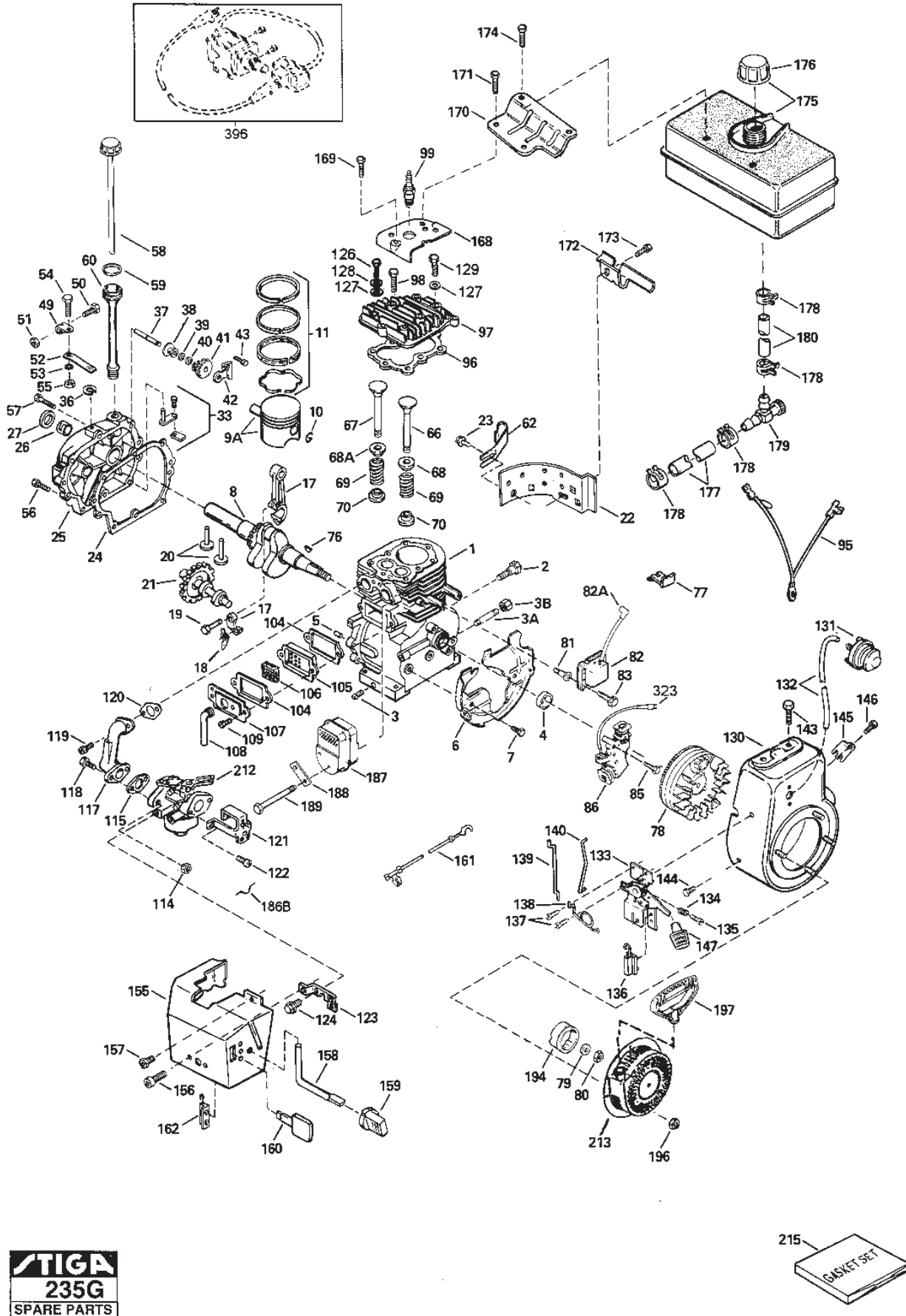
All rights reserved. No part of this material may be reproduced or transmitted, in any form or by any means, electronic or mechanical, including photocopying, recording or by any information storage and retrieval system, without permission in writing from GLOBAL GARDEN PRODUCTS.

[www.stiga.com](http://www.stiga.com)



**STIGA**  
**235G**  
SPARE PARTS

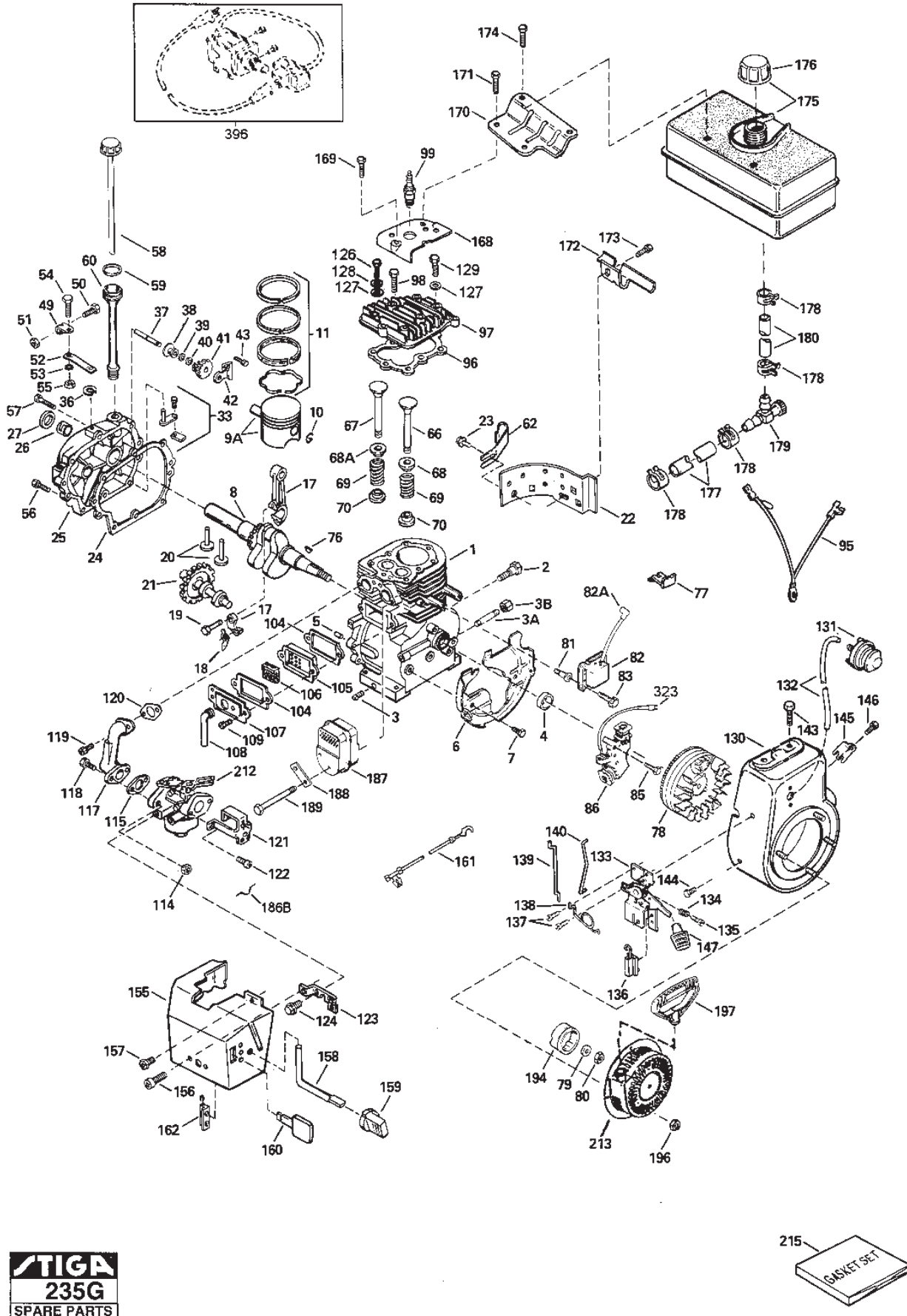
Utgåva Issue 45 - 2014		Tecumseh Hm80 Hm100		Tecumseh Hm80 Hm100	
Pos. Fig.	Antal Quantity	Art nr Part No	Benämning	Description	Anmärkning Notes
1	1	35371	Cylinder kpl	Cylinder Assy	Inkl. pos 3, 4, 5
1	1	35385	Cylinder kpl	Cylinder Assy	Inkl. pos 3, 4, 5
2	2	650820	Shoulder bolt	Shoulder bolt	
3	1	27642	Oil drain plug	Oil drain plug	
3	1	31857	Avtappningsrör	Oil pipe	
3	1	30969	Cap	Cap	
4	1	35319	Oil seal	Oil seal	
5	2	27652	Styrpinne	Dowel pin	
6	1	36460	Baffle	Baffle	
7	2	650561	Skruv	Screw	
8	1	36245	Crankshaft	Crankshaft	
9	1	25773A	Kolvspind	Piston Pin	Inkl. pos 10
9	1	40009	Kolvspind	Piston Pin	Inkl. pos 10
10	2	27888	Retaining ring	Retaining ring	
10	2	35772	Retaining ring	Retaining ring	
11	1	35779	Ring set	Ring set	
11	1	40013	Ring set	Ring set	
17	1	36897	Connecting Rod	Connecting Rod	Inkl. pos 18, 19
17	1	36898	Connecting Rod	Connecting Rod	Inkl. pos 18, 19
18	1	36896	Oil dipper	Oil dipper	
19	2	651033	Bult	Bolt	
20	2	34034	Valve lifter	Valve lifter	
21	1	35375	Kamaxel	Camshaft	
22	1	33273A	Extension	Extension	
23	1	650128	Skruv	Screw	
24	1	35262A	Packning	Gasket	
25	1	35376	Cover	Cover	Inkl. pos 26, 27, 37
26	1	35377	Bearing	Bearing	
27	1	35319	Oil seal	Oil seal	
33	1	30699C	Governor rod	Governor rod	
36	1	29642	Retaining ring	Retaining ring	
37	1	31845	Governor shaft   Use MAS-031845	Governor shaft   Use MAS-031845	
38	1	30588A	Spool	Spool	
39	1	30590A	Bricka	Flat washer	
40	1	29193	Retaining ring	Retaining ring	
41	1	35378	Gear	Gear	Inkl. pos 39
42	1	33369	Fäste	Bracket	
43	2	650836	Skruv	Screw	
49	1	29916	Clamp	Clamp	
50	1	29826	Skruv	Screw	
51	1	29216	Mutter	Nut	
52	1	33454	Governor lever	Governor lever	
53	1	29918	Bricka	Washer	
54	1	651028	Skruv	Screw	
55	1	30322	Mutter	Nut	
56	1	650832	Skruv	Screw	L = 43 mm
57	7	650833	Skruv	Screw	L = 30 mm
58	1	36205	Oil dipstick	Oil dipstick	
59	1	35499	O-ring	O-ring	



**STIGA**  
**235G**  
SPARE PARTS

215  
GASKET SET

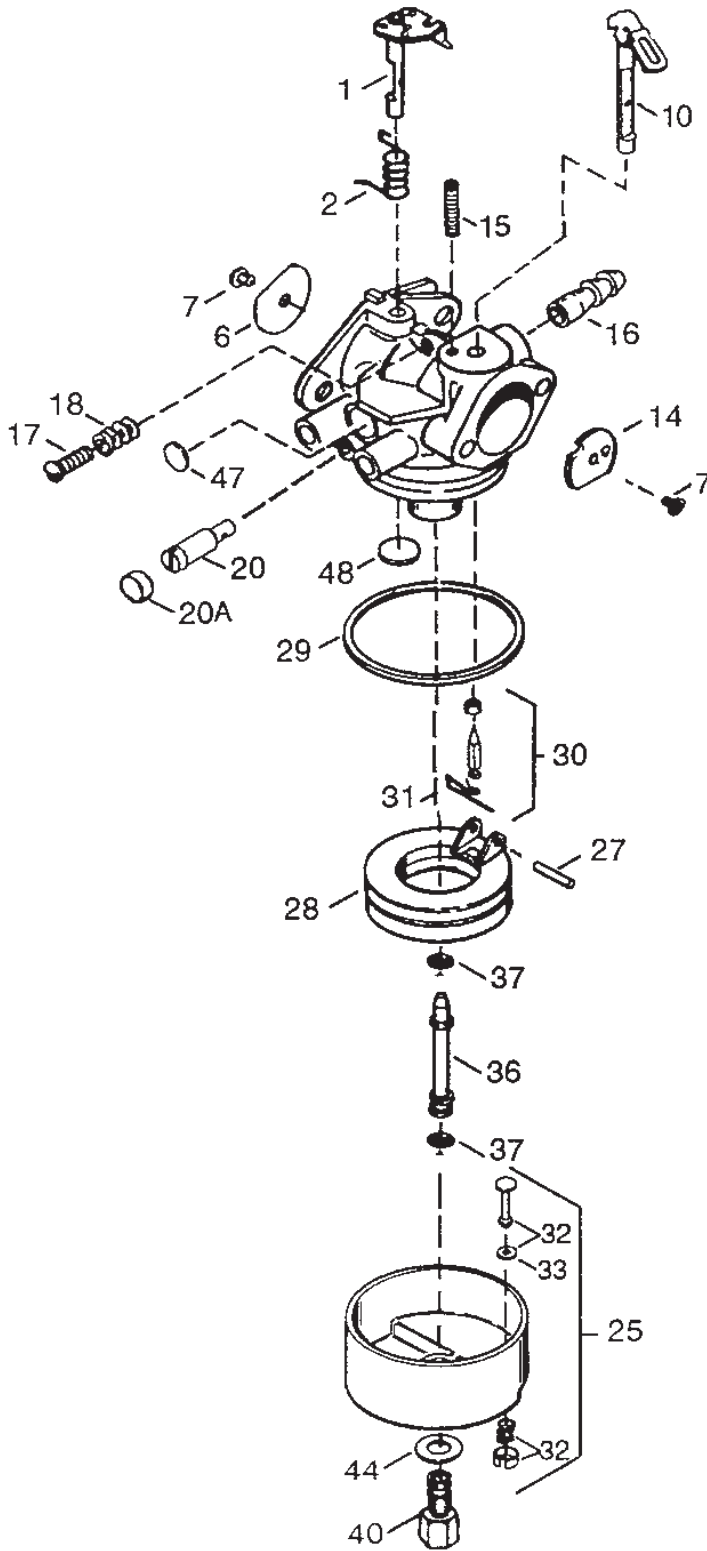
Utgåva Issue 45 - 2014		Tecumseh Hm80 Hm100		Tecumseh Hm80 Hm100	
Pos. Fig.	Antal Quantity	Art nr Part No	Benämning	Description	Anmärkning Notes
60	1	35554	Oljepåfyllningsrör	Oil fill tube	
62	1	35540	Clip	Clip	
66	1	27878A	Exhaust valve	Exhaust valve	Inkl. pos 70
67	1	34035	Insugningsventil	Intake valve	Inkl. pos 70
68	1	35862	Valve spring cap	Valve spring cap	
68	1	27882	Valve spring cap	Valve spring cap	
69	2	27881	Valve spring	Valve spring	
70	2	32581	Valve cap	Valve cap	
76	1	32589	Kil	Key	
77	1	29443	Wire clip	Wire clip	
78	1	611093	Flywheel	Flywheel	
79	1	650880	Bricka	Washer	
80	1	650881	Mutter	Nut	
81	2	651024	Stud	Stud	
82	1	610118	Spark plug cover	Spark plug cover	
82	1	35135	Solid state ignition	Solid state ignition	
83	2	651007	Skruv	Screw	
85	1	650873	Skruv	Screw	
86	1	611111	Generator	Alternator coil	Inkl. pos 323
95	1	35187	Ground wire	Ground wire	
96	1	36448	Toppackning	Head gasket	
96	1	36451	Toppackning	Head gasket	
97	1	36449	Topplöck	Cylinder Head	
98	3	650694A	Skruv	Screw	L = 51 mm
99	1	9400-0225-00	Tändstift (J19Lm)	Spark Plug (J19Lm)	Champion J19LM
104	2	27896A	Packning	Gasket	
105	1	28423	Breather body	Breather body	
106	1	28424	Breather element	Breather element	
107	1	28425	Cover	Cover	
108	1	35350	Rör	Tube	
109	2	650128	Skruv	Screw	
114	2	29752	Mutter	Nut	
115	1	33263	Packning	Gasket	
117	1	33877	Intake pipe	Intake pipe	
118	2	30088A	Skruv	Screw	
119	2	650378	Skruv	Screw	
120	1	27915A	Packning	Gasket	
121	1	34587A	Fäste	Bracket	
122	2	28820	Skruv	Screw	
123	1	33377	Fäste	Bracket	
124	2	650767	Skruv	Screw	
126	4	6021A	Skruv	Screw	L = 38 mm
127	2	650691	Bricka	Washer	
127	5	650691	Bricka	Washer	
128	3	650690	Bricka	Washer	
129	2	650727	Skruv	Screw	L = 45 mm
130	1	35447A	Blower housing	Blower housing	
131	1	570682	Primer	Primer	
132	1	32180C	Primerslang	Primer line	



**STIGA**  
**235G**  
SPARE PARTS

Utgåva Issue 45 - 2014		Tecumseh Hm80 Hm100		Tecumseh Hm80 Hm100	
Pos. Fig.	Antal Quantity	Art nr Part No	Benämning	Description	Anmärkning Notes
133	1	34677	Speed control assy	Speed control assy	Inkl. pos 134-136,138
134	1	31342	Fjäder	Spring	
135	1	651029	Skruv	Screw	
136	1	610973	Terminal	Terminal	
137	2	650821	Skruv	Screw	
138	1	34663	Fjäder	Spring	
139	1	34667	Governor link	Governor link	
140	1	33878	Gasreglagelänk	Throttle Rod	
143	2	650788	Skruv	Screw	
144	2	29747B	Skruv	Screw	
145	1	33013	Cover	Cover	
146	1	650760	Skruv	Screw	
147	1	35440	Knopp	Knob	
155	1	35057A	Cover	Cover	
156	2	28942	Skruv	Screw	
157	1	650765	Skruv	Screw	
158	1	34586	Choke rod	Choke rod	
159	1	35438	Reglageknopp	Knob	
160	1	35062	Tändningsnyckel	Ignition Key	
161	1	37047	Ground wire	Ground wire	
162	1	610973	Terminal	Terminal	
168	1	33272B	Cover	Cover	
169	1	650802	Skruv	Screw	
170	1	34154	Tank plate	Tank plate	
171	2	650713	Skruv	Screw	
172	1	34155	Tank bracket	Tank bracket	
173	1	650561	Skruv	Screw	
174	2	650665	Skruv	Screw	
175	1	34156A	Fuel tank assy	Fuel tank assy	Inkl. pos 176,178
176	1	35355	Tank cap	Tank cap	
177	1	30705	Fuel line	Fuel line	
178	4	26460	Clamp	Clamp	
179	1	35857	Shut-off valve	Shut-off valve	
180	1	29774	Fuel line	Fuel line	
186	1	36652	Choke spring	Choke spring	
187	1	35056	Ljuddämpare	Muffler	
188	1	31588	Låsbleck	Locking plate	
189	2	651002	Skruv	Screw	
194	1	35985B	Starter hub	Starter hub	
196	4	29752	Mutter	Nut	
197	1	590574	Styrplåt kpl	Starter handle	
212	1	640052	Förgasare kpl	Carburettor Assy	Inkl. pos 115
212	1	640054	Förgasare kpl	Carburettor Assy	Inkl. pos 115
213	1	590749	Starter assy	Starter assy	Alt. 2
213	1	590733	Starter assy	Starter assy	Alt. 1
215	1	36450A	Packningssats	Gasket set	
215	1	36452A	Packningssats	Gasket set	
323	1	611118	Connector body	Connector body	
396	1	33329D	Starter motor assy	Starter motor assy	120 Volt

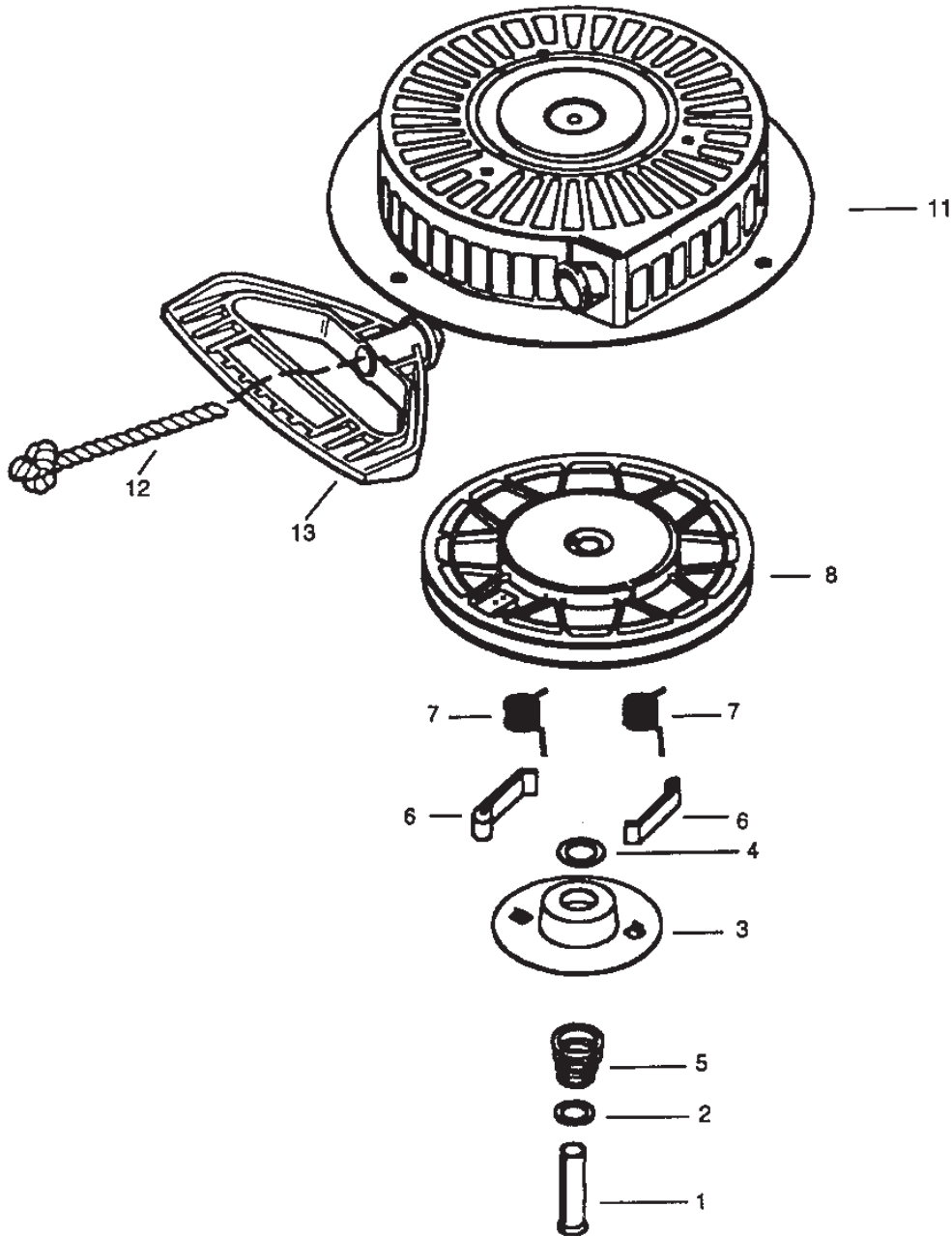
640052  
640054





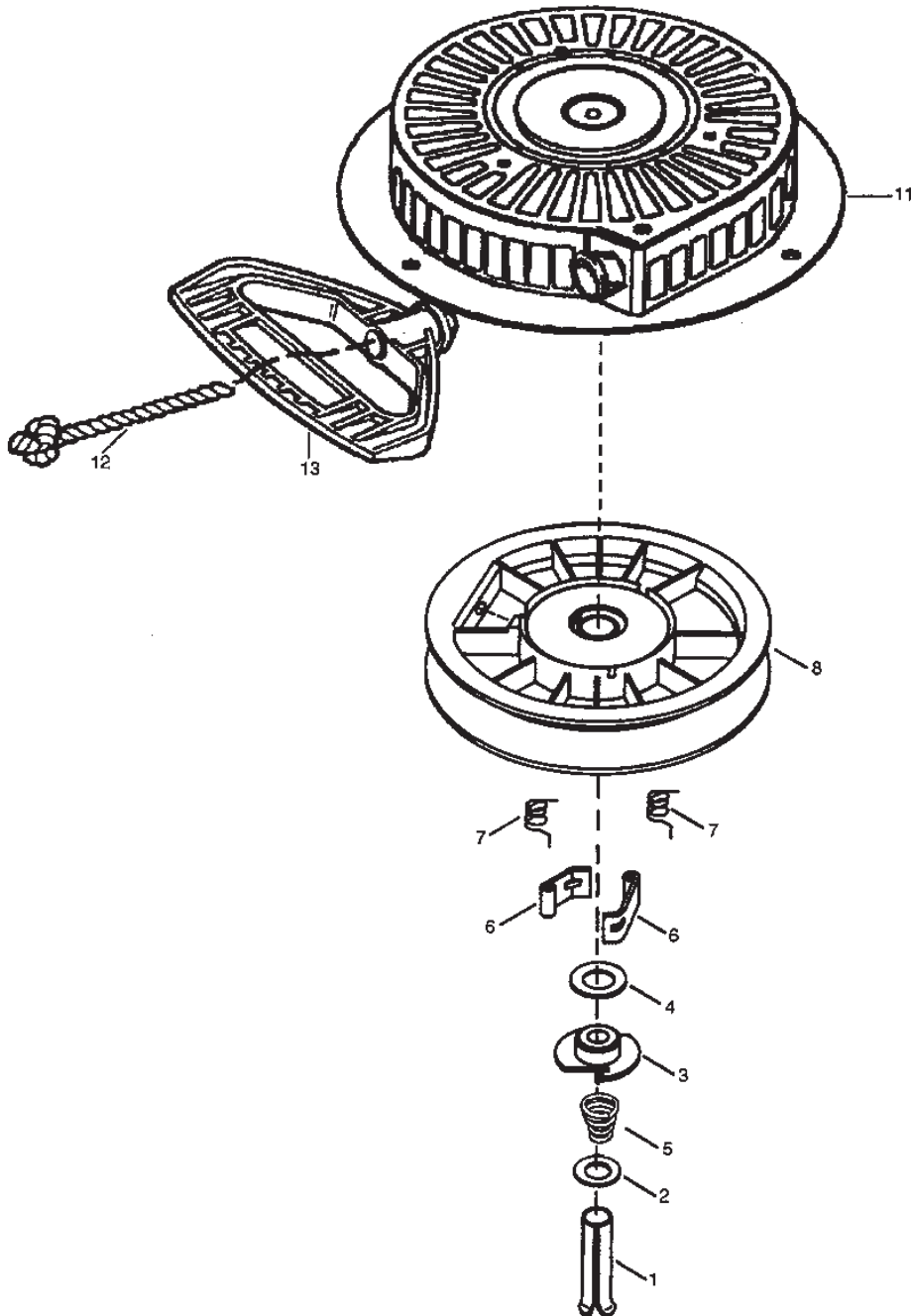
Utgåva Issue 45 - 2014		Tecumseh Hm80-Hm100 Förgasare		Tecumseh Hm80-Hm100 Carburettor	
Pos. Fig.	Antal Quantity	Art nr Part No	Benämning	Description	Anmärkning Notes
1	1	631776A	Spjällsaxeln	Throttle Shaft	
2	1	631970	Fjäder	Spring	
6	1	631778	Gasspjäll	Throttle Shutter	
7	2	650506	Skruv	Screw	
10	1	632112	Choke shaft	Choke shaft	
14	1	632174	Choke shutter	Choke shutter	
15	1	630735	Fjäder	Spring	
16	1	632164	Nippel	Fuel fitting	
17	1	650417	Skruv	Screw	
18	1	630766	Fjäder	Spring	
20	1	640053	Skruv	Screw	
20	1	640016	Skruv	Screw	
25	1	631951	Flottörhus kpl	Float bowl assy	Inkl. pos 32, 33
27	1	631024	Flottöraxel	Float shaft	
28	1	632019	Flottör	Float	
29	1	631028	O-ring	O-ring	
30	1	631021	Nålventil kpl	Inlet needle assy	Inkl. pos 31
31	1	631022	Fjäder	Spring clip	
32	1	27136A	Bowl drain	Bowl drain	
33	1	27554	Packning	Gasket	
36	1	640005	Main nozzle tube	Main nozzle tube	
37	2	632547	O-ring	O-ring	
40	1	640012	Mutter	Nut	640054
40	1	640055	Mutter	Nut	640052
40	1	640012	Mutter	Nut	
40	1	640055	Mutter	Nut	
44	1	27110	Packning	Gasket	
47	1	630748	Welch plug	Welch plug	
48	1	631027	Welch plug	Welch plug	

590733



Utgåva Issue 45 - 2014		Tecumseh Hm80-Hm100 Snörstart (Optional)		Tecumseh Hm80-Hm100 Rewind Starter (Optional)	
Pos. Fig.	Antal Quantity	Art nr Part No	Benämning	Description	Anmärkning Notes
1	1	590599A	Stift	Pin	Inkl. pos 4
2	1	590600	Bricka	Washer	
3	1	590696	Hållare	Retainer	
4	1	590601	Bricka	Washer	
5	1	590697	Fjäder	Spring	
6	2	590698	Starter dog	Starter dog	
7	2	590699	Fjäder	Spring	
8	1	590709	Pulley and spring	Pulley and spring	
11	1	590734	Starthus	Starter housing	
11	1	590734A	Starthus	Starter housing	
12	1	590535	Startsnöre	Starter Rope	
13	1	590574	Styrplåt kpl	Starter handle	

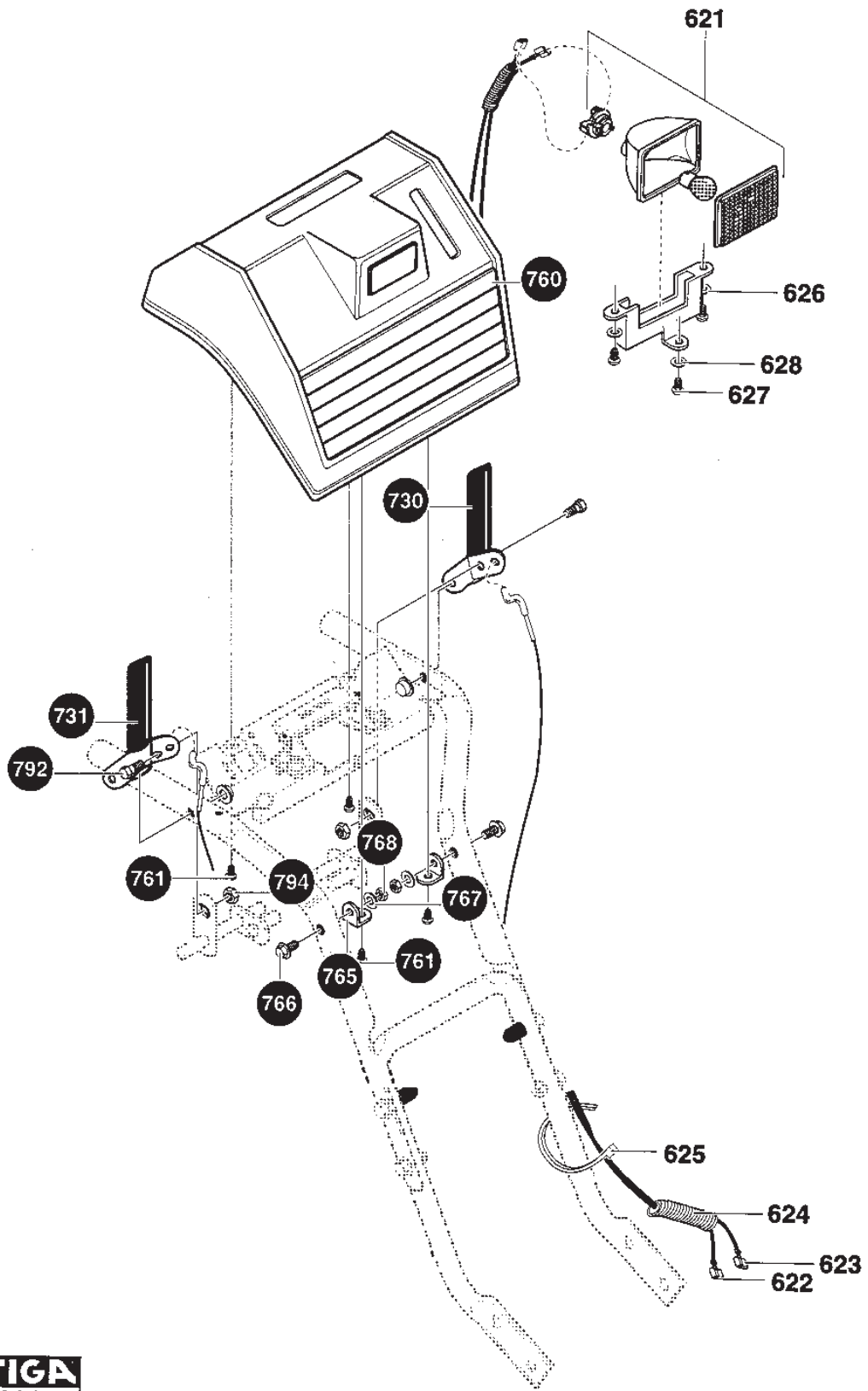
590749



Utgåva Issue 45 - 2014		Tecumseh Hm80-Hm100 Snörstart		Tecumseh Hm80-Hm100 Rewind Starter	
Pos. Fig.	Antal Quantity	Art nr Part No	Benämning	Description	Anmärkning Notes
1	1	590599A	Stift	Pin	Inkl. pos 4
2	1	590600	Bricka	Washer	
3	1	590679	Hållare	Retainer	
4	1	590601	Bricka	Washer	
5	1	590678	Bromsfjäder	Brake Spring	
6	2	590680	Starter dog	Starter dog	
7	2	590412	Fjäder	Dog spring	
8	1	590682	Pulley and spring	Pulley and spring	
11	1	590750	Starthus	Starter housing	
11	1	590750A	Starthus	Starter housing	
12	1	590535	Startsnöre	Starter Rope	
13	1	590574	Styrplåt kpl	Starter handle	

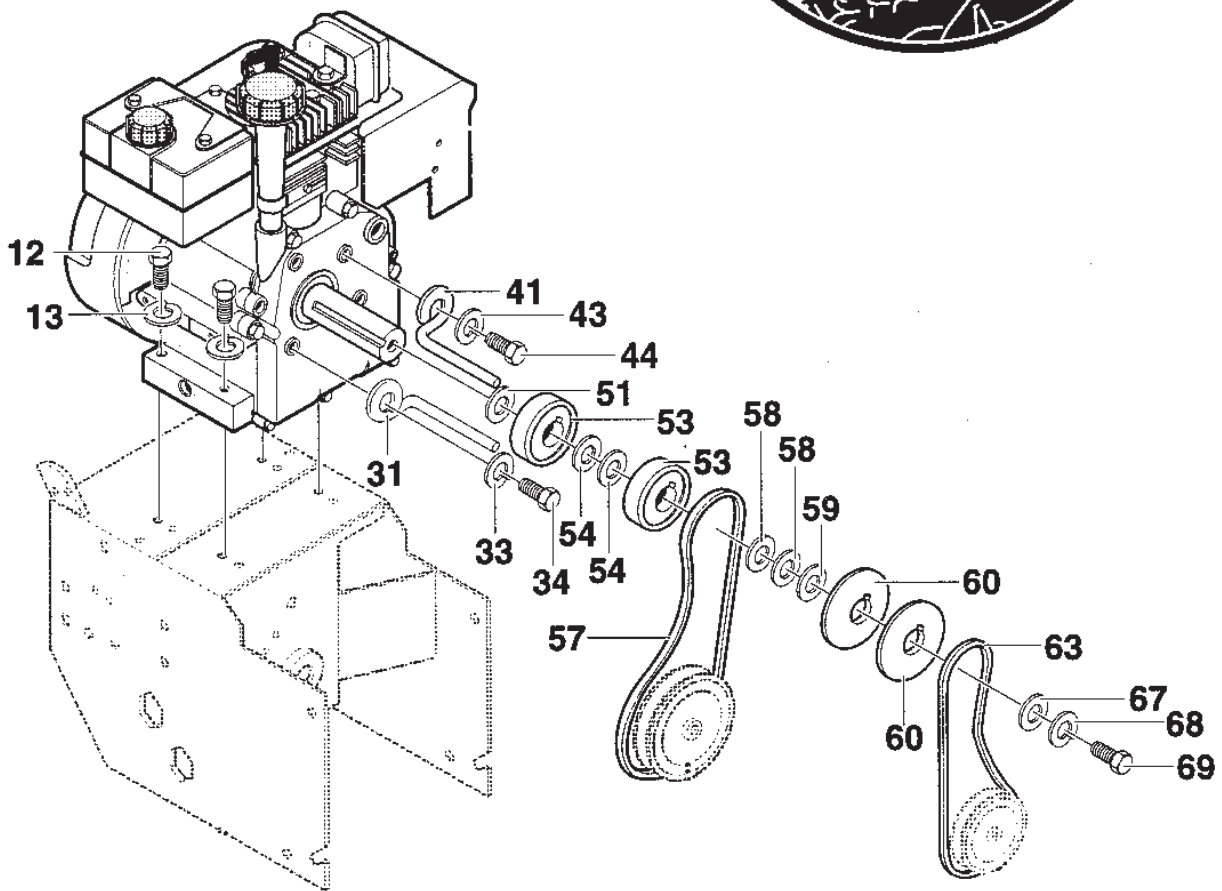


Utgåva Issue 45 - 2014		Styre	Handle		
Pos. Fig.	Antal Quantity	Art nr Part No	Benämning	Description	Anmärkning Notes
720	1	1812-1194-01	Styre-överdel   Däck-överdel	Handle Upper   Handle, Upper Part	
723	2	9988-3751-12	Skruv	Screw	
724	2	9988-3764-12	Skruv	Screw	
725	6	9699-0035-02	Bricka	Washer	
726	4	9683-0035-02	Bricka	Washer	
727	4	9743-3721-32	Mutter	Nut	
728	2	1812-0830-01	Plastknopp	Plastic Stop	
729	2	1812-0955-01	Handtag	Handle Grip	
739	2	1812-0520-01	Skydd	Protection	
741	2	1812-0249-01	Reglagewire (817 Mm)	Wire (817 Mm)	
743	1	1812-1210-01	Fjäder	Spring	
744	1	1812-0254-01	Fjäder	Spring	
745	2	1812-0812-01	Mutter	Nut	
750	1	1812-0553-01	Däck-underdel   Styre-underdel	Handle Lower Part	
751	2	9988-3625-16	Skruv	Screw	
752	2	9683-0030-02	Bricka	Washer	
753	2	9743-3621-32	Mutter	Nut	
754	2	9988-3625-16	Skruv	Screw	
770	1	1812-1422-01	Växelspak	Gear Shifter	
771	1	9988-3764-12	Skruv	Screw	
772	1	1812-0304-01	Fjäder	Spring	
773	1	9699-0035-02	Bricka	Washer	
774	1	9743-3721-32	Mutter	Nut	
775	1	1812-1193-01	Distans	Spacer	
785	1	9795-3531-02	Mutter	Nut	
787	1	1812-1293-01	Reglageknopp	Knob	
790	1	1812-1414-01	Spärrstång Vä	Rod	
791	1	1812-1413-01	Spärrstång-hö	Bail Rod R.H.	
795	1	1812-1185-01	Fäste	Bracket Cam Retainer	
796	1	9988-3619-16	Skruv	Screw	
797	1	9683-0030-02	Bricka	Washer	
798	1	9795-3631-02	Mutter	Nut	
799	1	1812-0834-01	Låsfjäder	Cam Lock Spring	
800	1	1812-1280-01	Sprint	Pin Latch	
801	2	1812-0396-01	Låsning	Retainer	
802	1	9599-0036-02	Saxsprint	Split Pin	
803	1	9699-0028-02	Bricka	Washer	
804	1	1812-1242-01	Växlestång	Rod Speed Control	
805	1	9794-5131-02	Mutter	Nut	
806	1	1812-0622-01	Skruvhylsa	Adaptor	
807	1	9683-0030-02	Bricka	Washer	
808	1	1812-0303-01	Kulled	Ball Joint	
809	1	9683-0030-02	Bricka	Washer	
810	1	9794-5131-02	Mutter	Nut	
811	1	1812-1219-01	Plastbussning	Plastic Bushing	
812	1	1812-1368-01	Växelarm	Speed Select Lever	
813	1	9743-3721-32	Mutter	Nut	

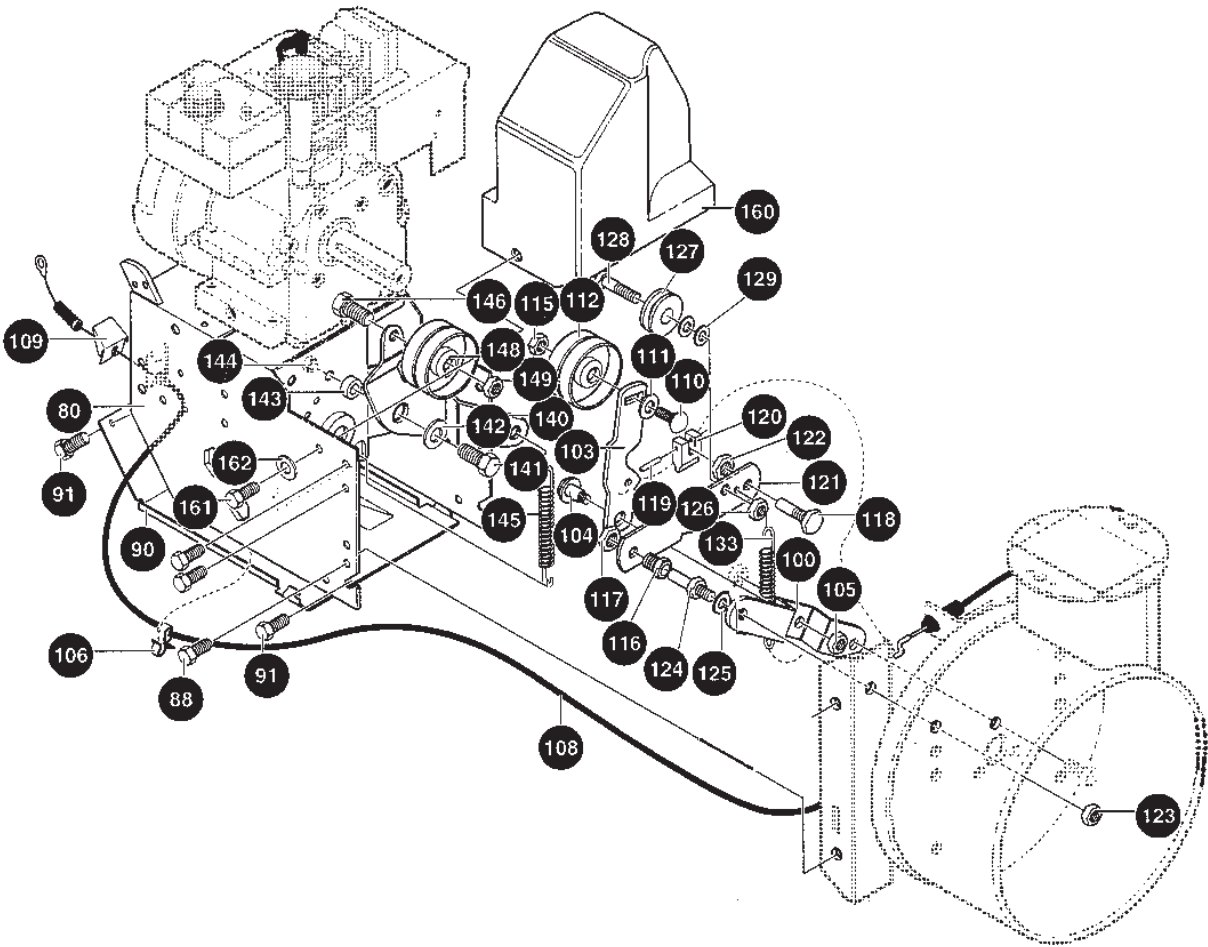




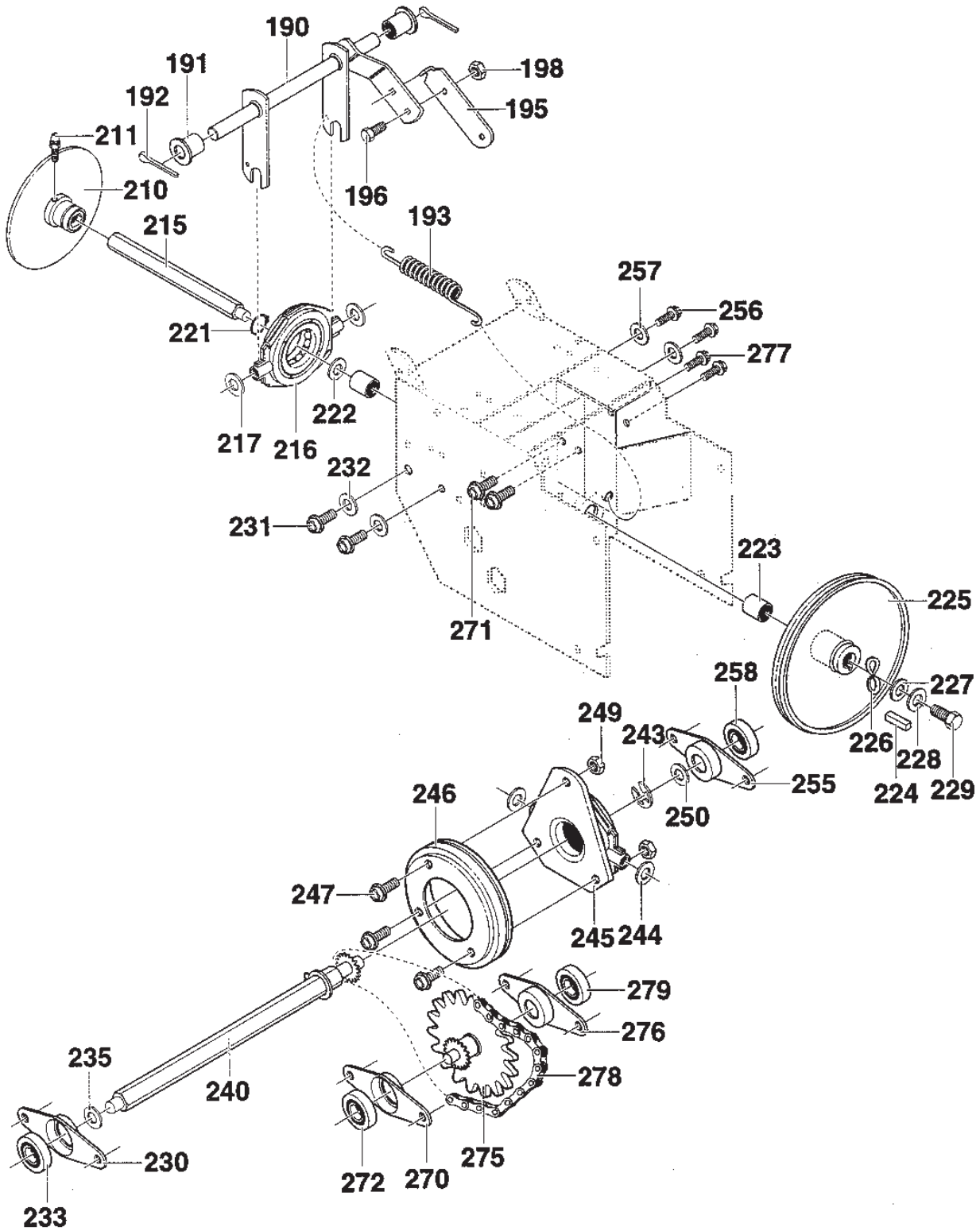
Utgåva Issue 45 - 2014		Panel			
Pos. Fig.	Antal Quantity	Art nr Part No	Benämning	Description	Anmärkning Notes
621	1	1812-1195-01	Strålkastarlins	Lens Cover	
621	1	1812-1196-01	Strålkastarhus	Housing Light	
621	1	1812-1245-01	Glödlampa	Light Bulb	
621	1	1812-1478-01	Strålkastare kpl	Headlight Assy	
621	1	1812-1197-01	Lamphållare	Lamp holder	
622	1	1812-1390-01	Kabel	Wire	
623	1	1812-1389-01	Jordkabel	Ground Wire	
624	1	1812-1382-01	Skyddsör	Conduit	
625	1	1133-0220-01	Kabelhållare	Wire Tie	
626	2	1812-1187-01	Lampfäste	Bracket Light	
626	1	1812-1187-01	Lampfäste	Bracket Light	
627	3	1812-1476-01	Skruv	Screw	
628	3	1812-1477-01	Planbricka	Flat washer	
628	1	1812-1477-01	Planbricka	Flat washer	
628	3	1812-1477-01	Planbricka	Flat washer	
730	1	1812-1416-01	Kopplingshandtag-vä	Clutch Handle, Left	
731	1	1812-1417-01	Kopplingshandtag-hö	Clutch Handle, Right	
760	1	1812-1294-01	Reglagepanel	Control Panel	
761	4	1812-1394-01	Skruv	Screw	
765	2	1812-1186-01	Panelfäste	Bracket Panel Retainer	
766	2	9988-3645-16	Skruv	Screw	
767	2	9683-0030-02	Bricka	Washer	
768	2	9795-3631-02	Mutter	Nut	
792	2	9988-3513-16	Skruv	Screw	
794	2	9795-3531-02	Mutter	Nut	



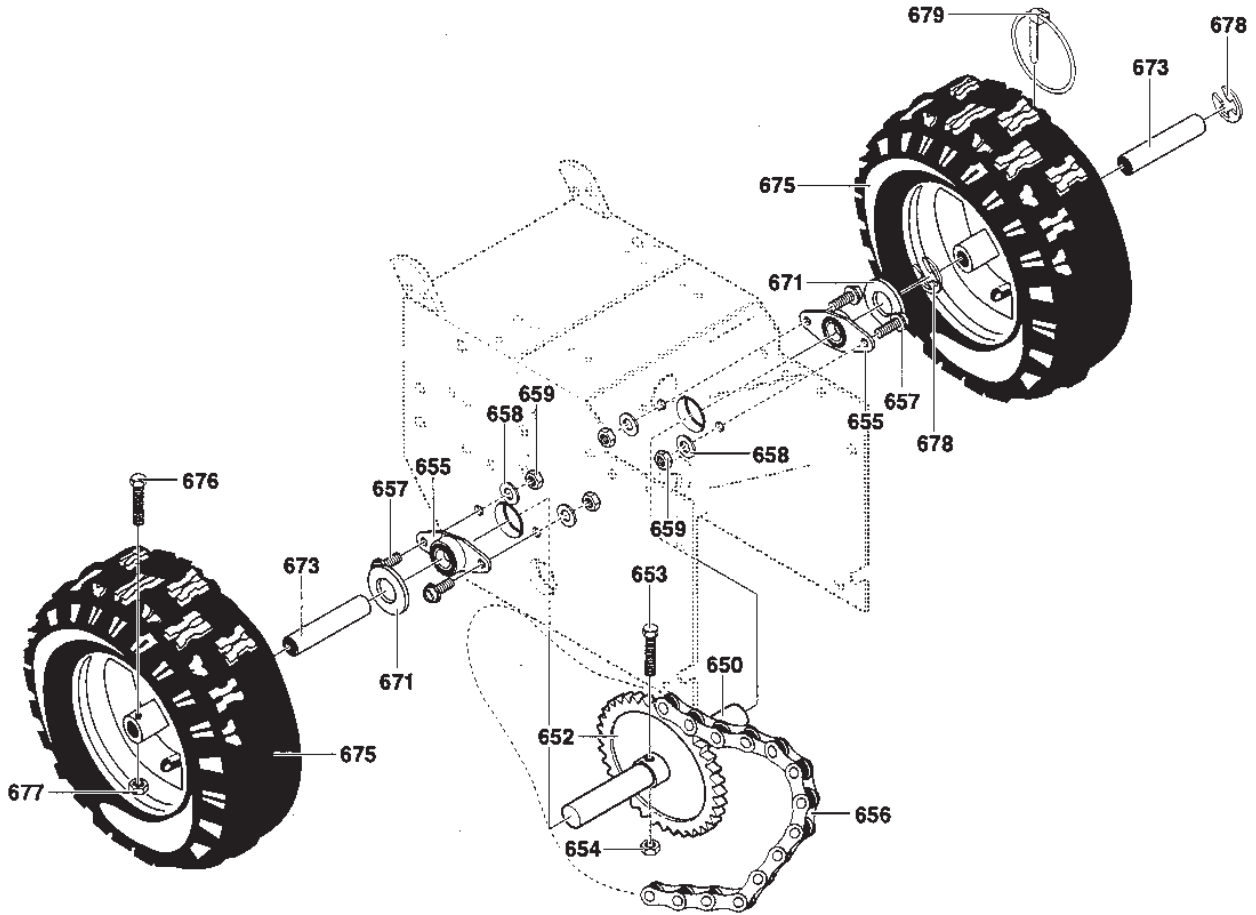
Utgåva Issue 45 - 2014		Motor Remtransmission		Engine Belt Transmission	
Pos. Fig.	Antal Quantity	Art nr Part No	Benämning	Description	Anmärkning Notes
12	4	9988-3638-12	Skruv	Screw	
13	4	9683-0030-02	Bricka	Washer	
16	1	1812-1385-01	Ljuddämparskydd	Muffler Guard	
17	2	1812-1386-01	Skruv	Screw	
18	2	1812-1388-01	Bricka	Washer	
19	2	1812-1387-01	Planbricka	Flat washer	
31	1	1812-0533-01	Remstyrning	Belt Guide	
33	1	9683-0030-02	Bricka	Washer	
34	1	9987-5125-16	Skruv	Screw	
41	1	1812-0533-01	Remstyrning	Belt Guide	
43	1	9683-0030-02	Bricka	Washer	
44	1	9987-5125-16	Skruv	Screw	
51	1	1812-1202-01	Bricka	Washer	
53	2	1812-1201-01	Motorremskiva	Traction Pulley	
54	2	1812-1206-01	Distans	Spacer	
57	1	1812-9016-01	Kilrem	V-Belt	
58	2	1812-0407-01	Bricka	Washer	
59	1	1812-1350-01	Distans	Spacer	
60	2	1812-1351-01	Motorremskiva	Engine Pulley	
63	1	1812-9020-01	Drivrem	Belt	
67	1	1812-0283-01	Bricka	Washer	
68	1	9683-0035-02	Bricka	Washer	
69	1	1133-0762-01	Skruv	Screw	



Utgåva Issue 45 - 2014		Spännrullar		Idler Pulleys	
Pos. Fig.	Antal Quantity	Art nr Part No	Benämning	Description	Anmärkning Notes
80	1	1812-1404-01	Chassi	Frame	
80	1	1812-1404-01	Chassi	Frame	
88	6	1812-0385-01	Skruv	Screw	
90	1	1812-1257-01	Bottenplåt	Bottom Panel	
91	4	9988-3516-16	Skruv	Screw	
100	1	1812-1468-01	Kopplingsplatta	Clutch Plate	
103	1	1812-1469-01	Spännarm	Idler Bracket	
104	1	1812-1429-01	Bult	Bolt	
105	1	9795-3731-02	Mutter	Nut	
106	1	1812-1409-01	Wireklämma	Cable Clip	
108	1	1812-1466-01	Reglagewire	Clutch Control Cable	
109	1	1812-1411-01	Wireskyddsplåt	Cable Guard Shield	
110	1	9899-3732-16	Skruv	Screw	
111	1	1133-0459-01	Bricka	Flat washer	
112	1	1812-0305-01	Spännrulle	Tension Roller	
115	1	9743-3721-32	Mutter	Nut	
116	1	1812-1287-01	Pivotbult	Brake Arm Pivot Bolt	
117	1	1812-1344-01	Låsmutter	Nut	
118	1	1812-1285-01	Justerskruv	Brake Arm Adj.Bolt	
119	1	1812-0401-01	Stift	Pin	
120	1	1812-1244-01	Bromsbelägg	Brake Pad	
121	1	1812-1470-01	Fäste	Bracket	
122	1	9743-5421-32	Mutter	Nut	
123	1	9743-3721-32	Mutter	Nut	
124	1	1812-1428-01	Hårnålssprintbult-Bromsarm	Stud-Brake Arm	
125	1	9683-0035-02	Bricka	Washer	
126	1	1812-0812-01	Mutter	Nut	
127	1	1133-0059-01	Linhjul	Pulley	
128	1	1133-0262-01	Ansatsbult	Shoulder Bolt	
129	2	9699-0092-02	Bricka	Washer	
133	1	1812-1401-01	Fjäder	Spring	
140	1	1812-1211-01	Spännarm	Idler Lever	
141	1	9988-3619-16	Skruv	Screw	
142	1	9699-0062-02	Bricka	Washer	
143	1	1812-1208-01	Bussning	Bushing	
144	1	9743-3621-32	Mutter	Nut	
145	1	1812-0329-01	Fjäder	Spring	
146	1	9988-3732-12	Skruv	Screw	
148	1	1812-0305-01	Spännrulle	Tension Roller	
149	1	9743-3721-32	Mutter	Nut	
160	1	1812-1228-01	Remskydd	Belt Cover	
161	2	9988-3516-16	Skruv	Screw	
162	2	9699-0026-02	Bricka	Washer	

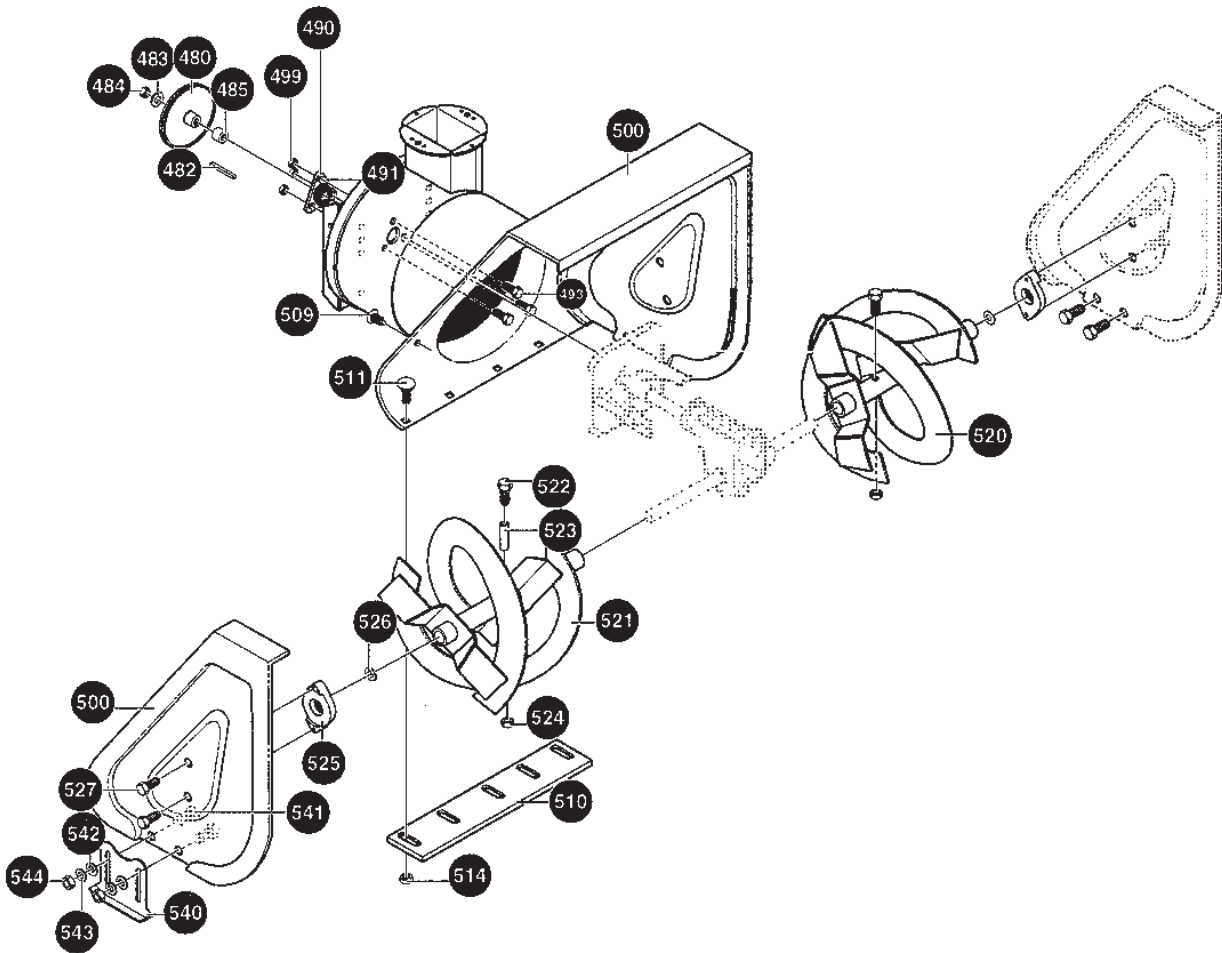


Utgåva Issue 45 - 2014		Drivning Drive Train			
Pos. Fig.	Antal Quantity	Art nr Part No	Benämning	Description	Anmärkning Notes
190	1	1812-1218-01	Traction shaft	Traction shaft	
191	2	1812-0328-01	Bussning	Bushing	
192	2	9599-0073-02	Saxsprint	Split Pin	
193	1	1812-0364-01	Fjäder	Spring	
195	1	1812-1217-01	Fjäderarm	Traction Spring Lever	
196	1	9988-3516-16	Skruv	Screw	
198	1	1812-0812-01	Mutter	Nut	
210	1	1812-1269-01	Friktionshjul	Friction Disc	
211	1	1812-1425-01	Smörjnippel	Grease Zerk	
215	1	1812-1262-01	Axel	Traction Hex Shaft	
216	1	1812-0450-01	Bärlager	Bearing	
217	2	9699-0038-02	Bricka	Washer	
221	1	1812-0402-01	Låsring	Retaining Ring	
222	1	1812-1238-01	Bricka	Washer	
223	2	1812-1383-01	Kullager	Ball Bearing	
224	1	1812-1239-01	Kil	Square Key	
225	1	1812-1236-01	Remskiva	Traction Pulley	
226	1	1812-1237-01	Bricka	Wave Washer	
227	1	1812-1190-01	Bricka	Flat washer	
228	1	9683-0025-02	Bricka	Washer	
229	1	9988-3519-16	Skruv	Screw	
230	1	1812-1200-01	Lagerhållare	Bearing Retainer	
231	2	1812-0385-01	Skruv	Screw	
232	2	9683-0030-02	Bricka	Washer	
233	1	1812-1207-01	Kullager	Ball Bearing	
235	1	1812-1204-01	Bricka	Washer	
240	1	1812-1312-01	Sexkantsaxel	Hex Shaft	
243	1	1812-1164-01	Låsring	Retainer Ring	
244	2	9699-0038-02	Bricka	Washer	
245	1	1812-1313-01	Lager	Trunion Bearing	
246	1	1812-9002-01	Friktionshjul	Friction Disc	
247	3	9988-3516-16	Skruv	Screw	
249	3	9795-3531-02	Mutter	Nut	
250	1	1812-1204-01	Bricka	Washer	
255	1	1812-1200-01	Lagerhållare	Bearing Retainer	
256	2	1812-0385-01	Skruv	Screw	
257	2	9683-0030-02	Bricka	Washer	
258	1	1812-1207-01	Kullager	Ball Bearing	
270	1	1812-1200-01	Lagerhållare	Bearing Retainer	
271	2	1812-0385-01	Skruv	Screw	
272	1	1812-1207-01	Kullager	Ball Bearing	
275	1	1812-1256-01	Axel M.Kedjedrev (12 Mm)	Jack Shaft	
276	1	1812-1200-01	Lagerhållare	Bearing Retainer	
277	2	1812-0385-01	Skruv	Screw	
278	1	1812-1209-01	Kedja	Chain Roller	
279	1	1812-1207-01	Kullager	Ball Bearing	

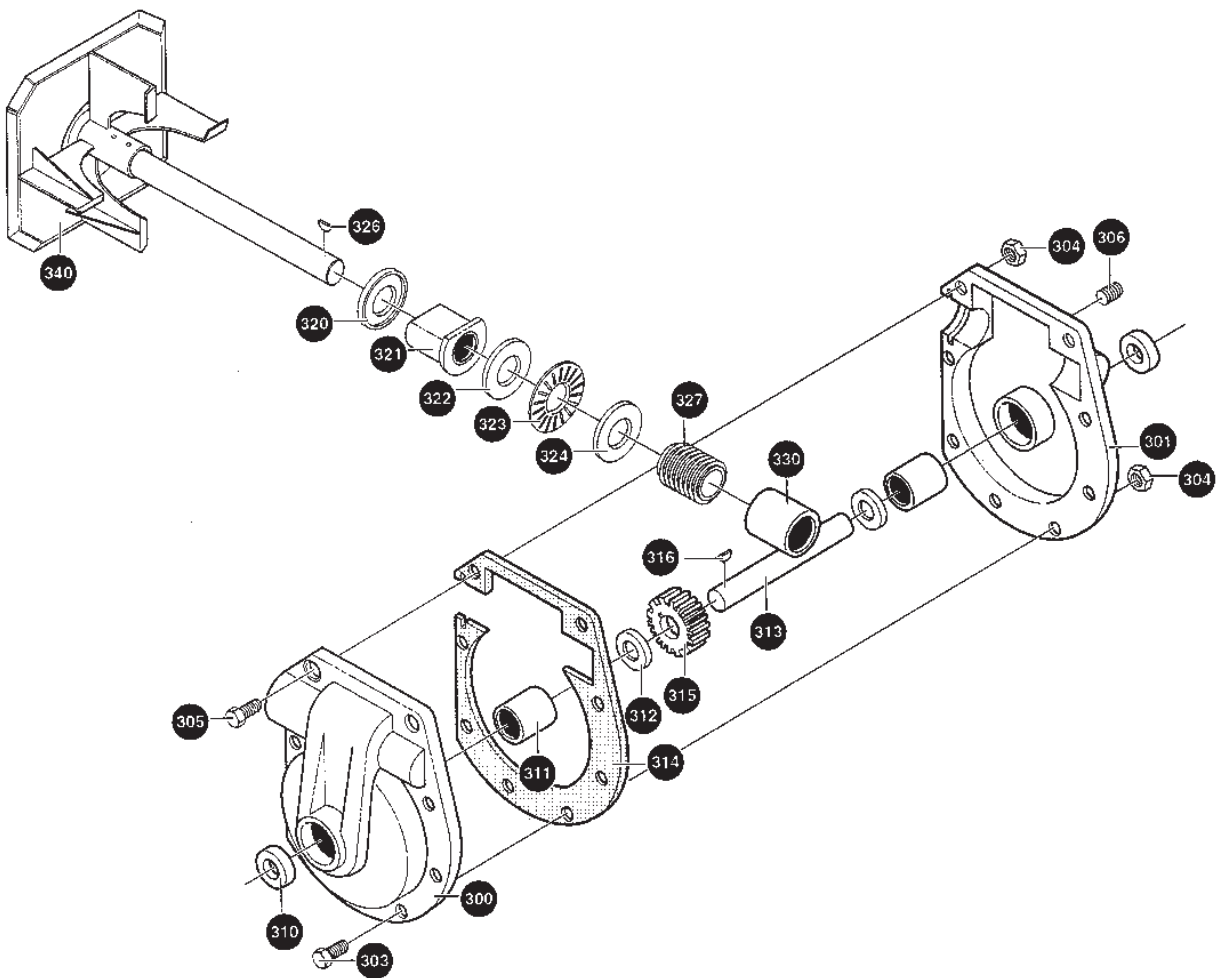




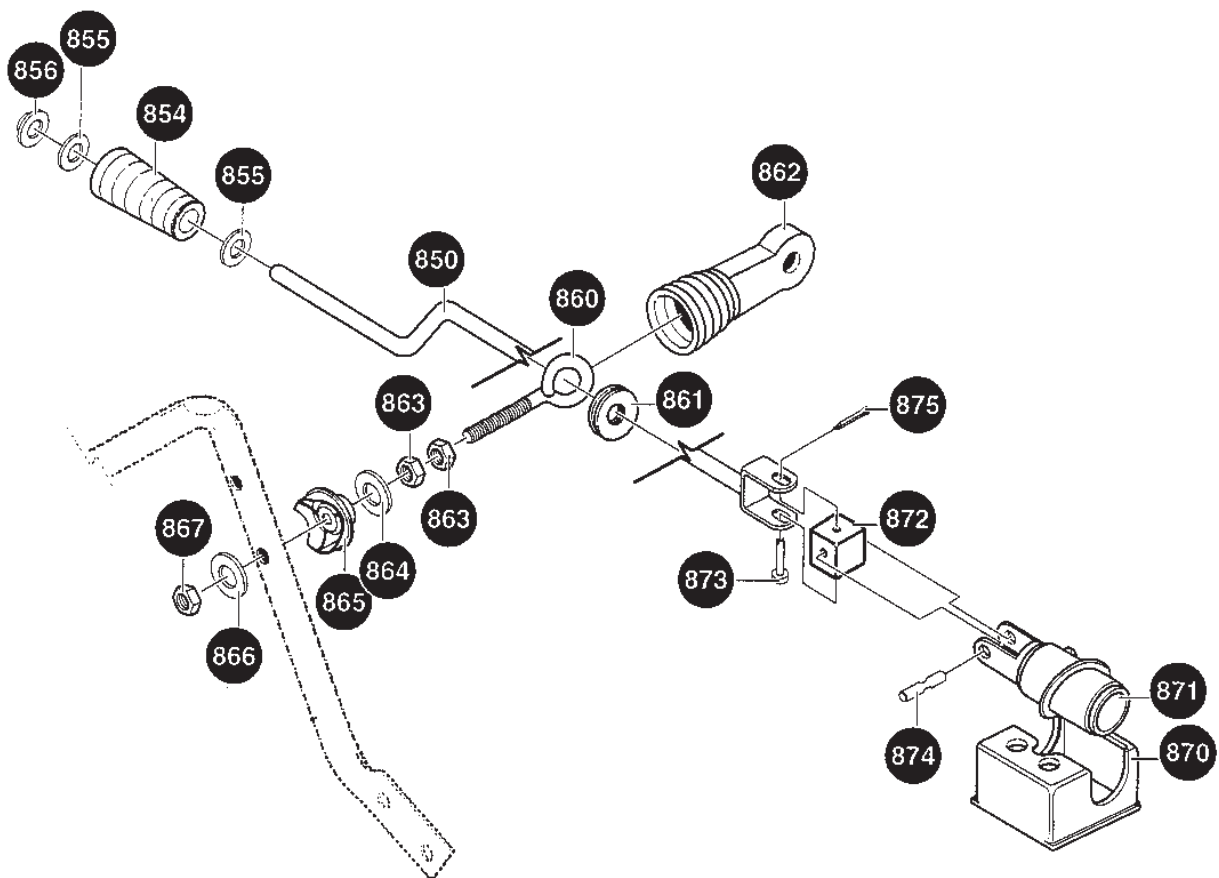
Utgåva Issue 45 - 2014		Hjul Wheels			
Pos. Fig.	Antal Quantity	Art nr Part No	Benämning	Description	Anmärkning Notes
650	1	1812-1346-01	Hjulaxel	Axle	
652	1	1812-1253-01	Kedjedrev-37T	Sprocket	
653	1	9988-3557-12	Skruv	Screw	
654	1	1812-0812-01	Mutter	Nut	
654	1	9743-3521-32	Mutter	Nut	
654	1	1812-0812-01	Mutter	Nut	
654	1	9743-3521-32	Mutter	Nut	
655	2	1812-0820-01	Lager	Bearing	
656	1	1812-1255-01	Kedja	Chain	
657	4	9988-3719-16	Skruv	Screw	
658	4	9683-0035-02	Bricka	Washer	
659	4	9743-3721-32	Mutter	Nut	
659	4	9795-3731-02	Mutter	Nut	
659	4	9743-3721-32	Mutter	Nut	
659	4	9795-3731-02	Mutter	Nut	
671	2	1812-0407-01	Bricka	Washer	
673	2	1812-1342-01	Hjulbussning	Bushing	
675	2	1812-1266-01	Hjul kpl-hö	Wheel	4.80 x 4.00 - 8
676	1	1812-1114-01	Bult   Skruv	Bolt   Screw	
677	1	1812-0812-01	Mutter	Nut	
678	2	1812-0567-01	Låsning   Bricka	Retainer ring   Washer	
679	1	1812-0408-01	Låssprint	Clik Pin	



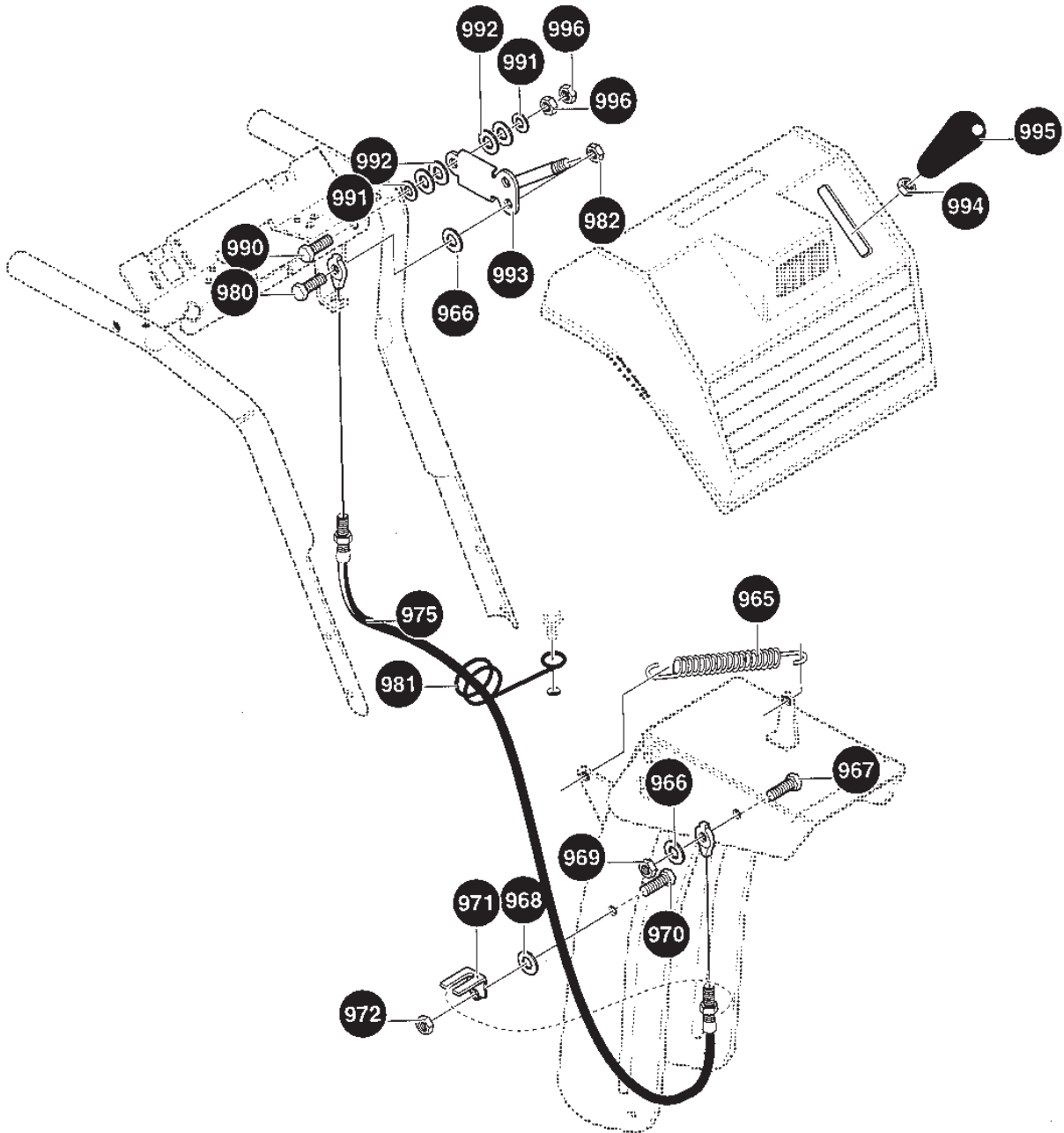
Utgåva Issue 45 - 2014		Snöskruv		Auger	
Pos. Fig.	Antal Quantity	Art nr Part No	Benämning	Description	Anmärkning Notes
480	1	1812-1261-01	Remskiva	Auger Pulley	
482	1	1812-1167-01	Kil	Key	
483	1	9699-0038-02	Bricka	Washer	
484	1	9743-5421-32	Mutter	Nut	
485	1	1812-1397-01	Distans	Spacer	
490	1	1812-1250-01	Lagerhållare	Retainer Bearing	
491	1	1812-1383-01	Kullager	Ball Bearing	
493	3	9988-3619-16	Skruv	Screw	
499	3	9795-3631-02	Mutter	Nut	
500	1	1812-1452-01	Snöskruvhus	Housing	
500	1	1812-1453-01	Snöskruvhus	Housing	
500	1	1812-1452-01	Snöskruvhus	Housing	
509	2	1812-1430-01	Plugg	Plug	
510	1	1812-1449-01	Skrapskär	Scraper Blade	
510	1	1812-1450-01	Skrapskär	Scraper Blade	
510	1	1812-1449-01	Skrapskär	Scraper Blade	
511	5	9899-3622-16	Skruv	Screw	
514	5	9795-3631-02	Mutter	Nut	
520	1	1812-1445-01	Snöskruv-vä	Auger-L.H.	
520	1	1812-1446-01	Snöskruv-vä	Auger-L.H.	
520	1	1812-1445-01	Snöskruv-vä	Auger-L.H.	
521	1	1812-1447-01	Snöskruv-hö	Auger-R.H.	
521	1	1812-1454-01	Snöskruv-hö	Auger-R.H.	
521	1	1812-1454-01	Snöskruv-hö	Auger-R.H.	
522	1	1812-9005-01	Brytbultsats	Shear Bolt Kit	
523	3	1812-0531-01	Distans	Spacer	
524	3	1812-0812-01	Mutter	Nut	
525	2	1812-0347-01	Lager	Bearing	
526	2	1812-0397-01	Distans	Spacer	
527	4	9988-3625-16	Skruv	Screw	
540	2	1812-1391-01	Släpsko	Height Adjust Skid	
540	2	1812-1426-01	Släpsko	Height Adjust Skid	
540	2	1812-1426-01	Släpsko	Height Adjust Skid	
541	4	9899-3622-16	Skruv	Screw	
542	4	9699-0028-02	Bricka	Washer	
543	4	9683-0030-02	Bricka	Washer	
544	4	9795-3631-02	Mutter	Nut	



Utgåva Issue 45 - 2014		Snäckväxel Gear Case			
Pos. Fig.	Antal Quantity	Art nr Part No	Benämning	Description	Anmärkning Notes
300	1	1812-0228-01	Snäckväxelhus-hö	Gear case-RH   Gear Housing, Right	
301	1	1812-0227-01	Snäckväxelhus-vä	Gear case-LH   Gear Housing, Left	
303	7	9987-5125-16	Skruv	Screw	
304	8	9743-5121-02	Mutter	Nut	
305	1	9987-5145-12	Skruv	Screw	
306	1	1812-0346-01	OljePlugg	Oil Plug	
310	2	1812-0344-01	Tätningring	Ring	
311	2	1812-0343-01	Lager	Bearing	
312	2	1812-0345-01	Bricka	Washer	
313	1	1812-1442-01	Snöskruvaxel	Auger Shaft	
314	1	1812-0226-01	Packning	Gasket	
315	1	1812-0335-01	Drev	Worm Gear	
316	1	1812-0409-01	Woodruffkil	Woodruff Key	
320	1	1812-0341-01	Tätningring	Ring	
321	1	1812-1259-01	Flänslager	Bearing Impeller Shaft	
322	1	1812-0857-01	Bricka	Thrust Washer	
323	1	1812-0285-01	Nållager	Needle Bearing	
324	1	1812-0857-01	Bricka	Thrust Washer	
326	1	1812-0307-01	Kil	Key	
327	1	1812-0336-01	Snäckdrev	Gear	
330	1	1812-0297-01	Lager	Bearing	
340	1	1812-1338-01	Fläktaxel M.Fläkt	Impeller Shaft W.Fan	
340	1	1812-1523-01	Fläkt M.Axel	Impeller W.Shaft	
340	1	1812-1338-01	Fläktaxel M.Fläkt	Impeller Shaft W.Fan	

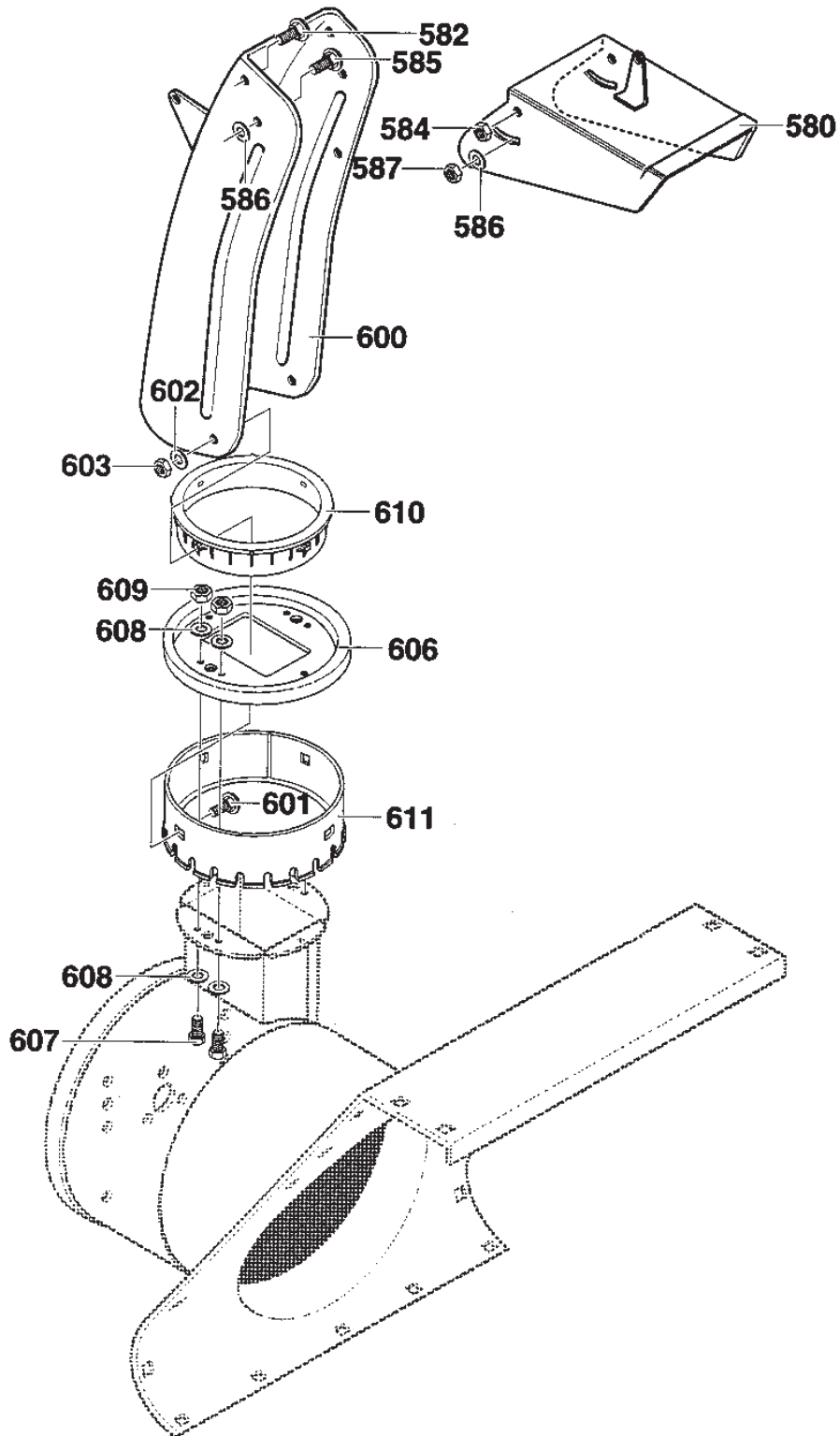


Utgåva Issue 45 - 2014		Inställningsvev Chute Crank			
Pos. Fig.	Antal Quantity	Art nr Part No	Benämning	Description	Anmärkning Notes
850	1	1812-1339-01	Inställningsvev	Crank	
854	1	1812-1168-01	Handtag	Handle	
854	1	1812-1168-01	Handtag	Handle	
855	1	1812-1171-01	Bricka	Washer	
856	1	1812-1183-01	Låsning	Cap Retainer	
856	1	1812-1183-01	Låsning	Cap Retainer	
860	1	1812-0394-01	Öglebult	Eyebolt	
861	1	1812-0203-01	Bussning	Bushing	
862	1	1812-1170-01	Hylsa-öglebult	Boot Eye Bolt   Boot-eye bolt	
863	2	9743-3721-32	Mutter	Nut	
864	1	9699-0035-02	Bricka	Washer	
865	1	1812-1172-01	Adapter	Adaptor Boot   Boot adaptor	
866	1	9699-0035-02	Bricka	Washer	
867	1	9743-3721-32	Mutter	Nut	
870	1	1812-1334-01	Fäste-Snäckskruv	Chute Worm Bracket	
871	1	1812-1335-01	Snäckskruv	Chute Rotate Worm	
872	1	1812-1317-01	LedkMutter	Universal Housing	
873	1	1812-1318-01	Sprint	Clevis Pin	
874	1	1812-1316-01	Axel	Universal Pin	
875	1	9599-0033-00	Saxsprint	Split Pin	





Utgåva Issue 45 - 2014		Fjärreglage Utkast		Chute Control	
Pos. Fig.	Antal Quantity	Art nr Part No	Benämning	Description	Anmärkning Notes
965	1	1812-0574-01	Fjäder	Spring	
966	2	9699-0092-02	Bricka	Washer	
967	1	1812-1393-01	Bult	Bolt	
968	1	9699-0028-02	Bricka	Washer	
969	1	9727-3541-22	Mutter	Nut	
970	1	9988-3619-16	Skruv	Screw	
971	1	1812-0581-01	Fäste	Bracket	
972	1	9743-3621-32	Mutter	Nut	
975	1	1812-1465-01	Reglagewire	Chute Control Cable	
980	1	1812-1393-01	Bult	Bolt	
981	1	1812-1475-01	Wirehållare	Wire Form	
982	1	9727-3541-22	Mutter	Nut	
990	1	9988-3745-12	Skruv	Screw	
991	2	9699-0035-02	Bricka	Washer	
992	4	1812-0660-01	Fjäderbricka   Bricka	Spring Washer   Elastic Washer	
993	1	1812-1418-01	Inställningsspak	Control Handle   Handle	
994	1	9743-3721-32	Mutter	Nut	
995	1	1133-0650-01	Handtag	Handle	
996	2	9743-3721-32	Mutter	Nut	



Utgåva Issue 45 - 2014		Utkast Chute			
Pos. Fig.	Antal Quantity	Art nr Part No	Benämning	Description	Anmärkning Notes
580	1	1812-1467-01	Utkastskärm	Upper Chute	
582	2	1133-1023-01	Skruv	Screw	
584	2	9743-3621-32	Mutter	Nut	
585	2	1133-1023-01	Skruv	Screw	
586	4	1812-0667-01	Plastbricka	Washer	
586	2	1812-0667-01	Plastbricka	Washer	
587	2	9743-3621-32	Mutter	Nut	
600	1	1812-1473-01	Utkaströr	Lower Chute	
601	3	9899-3625-16	Skruv	Screw	
602	3	9699-0029-02	Bricka	Washer	
602	3	9699-0028-02	Bricka	Washer	
603	3	9743-3621-32	Mutter	Nut	
606	1	1812-1336-01	Utkastplatta	Chute Rotate Collar	
607	4	9988-3519-16	Skruv	Screw	
608	8	9699-0028-02	Bricka	Washer	
608	8	9699-0026-02	Bricka	Washer	
609	4	9743-3521-32	Mutter	Nut	
609	4	1812-0812-01	Mutter	Nut	
610	1	1812-1366-01	Utkastring-inre	Chute rot. ring-inner	
611	1	1812-1332-01	Utkastring-Yttre	Chute Rotate Ring-Outer	



code	pos.	q.ty	page										
1812-1465-01	975	1	p. 33	9743-3621-32	603	3	p. 35	27642	3	1	p. 3		
1812-1466-01	108	1	p. 21	9743-3621-32	753	2	p. 15	27652	5	2	p. 3		
1812-1467-01	580	1	p. 35	9743-3621-32	972	1	p. 33	27878A	66	1	p. 5		
1812-1468-01	100	1	p. 21	9743-3721-32	115	1	p. 21	27881	69	2	p. 5		
1812-1469-01	103	1	p. 21	9743-3721-32	123	1	p. 21	27882	68	1	p. 5		
1812-1470-01	121	1	p. 21	9743-3721-32	149	1	p. 21	27888	10	2	p. 3		
1812-1473-01	600	1	p. 35	9743-3721-32	659	4	p. 25	27896A	104	2	p. 5		
1812-1475-01	981	1	p. 33	9743-3721-32	659	4	p. 25	27915A	120	1	p. 5		
1812-1476-01	627	3	p. 17	9743-3721-32	727	4	p. 15	28423	105	1	p. 5		
1812-1477-01	628	1	p. 17	9743-3721-32	774	1	p. 15	28424	106	1	p. 5		
1812-1477-01	628	3	p. 17	9743-3721-32	813	1	p. 15	28425	107	1	p. 5		
1812-1477-01	628	3	p. 17	9743-3721-32	863	2	p. 31	28820	122	2	p. 5		
1812-1478-01	621	1	p. 17	9743-3721-32	867	1	p. 31	28942	156	2	p. 7		
1812-1523-01	340	1	p. 29	9743-3721-32	994	1	p. 33	29193	40	1	p. 3		
1812-9002-01	246	1	p. 23	9743-3721-32	996	2	p. 33	29216	51	1	p. 3		
1812-9005-01	522	1	p. 27	9743-5121-02	304	8	p. 29	29443	77	1	p. 5		
1812-9016-01	57	1	p. 19	9743-5421-32	122	1	p. 21	29642	36	1	p. 3		
1812-9020-01	63	1	p. 19	9743-5421-32	484	1	p. 27	29747B	144	2	p. 7		
6021A	126	4	p. 5	9794-5131-02	805	1	p. 15	29752	114	2	p. 5		
9400-0225-00	99	1	p. 5	9794-5131-02	810	1	p. 15	29752	196	4	p. 7		
9599-0033-00	875	1	p. 31	9795-3531-02	249	3	p. 23	29774	180	1	p. 7		
9599-0036-02	802	1	p. 15	9795-3531-02	785	1	p. 15	29826	50	1	p. 3		
9599-0073-02	192	2	p. 23	9795-3531-02	794	2	p. 17	29916	49	1	p. 3		
9683-0025-02	228	1	p. 23	9795-3631-02	499	3	p. 27	29918	53	1	p. 3		
9683-0030-02	13	4	p. 19	9795-3631-02	514	5	p. 27	30088A	118	2	p. 5		
9683-0030-02	33	1	p. 19	9795-3631-02	544	4	p. 27	30322	55	1	p. 3		
9683-0030-02	43	1	p. 19	9795-3631-02	768	2	p. 17	30588A	38	1	p. 3		
9683-0030-02	232	2	p. 23	9795-3631-02	798	1	p. 15	30590A	39	1	p. 3		
9683-0030-02	257	2	p. 23	9795-3731-02	105	1	p. 21	30699C	33	1	p. 3		
9683-0030-02	543	4	p. 27	9795-3731-02	659	4	p. 25	30705	177	1	p. 7		
9683-0030-02	752	2	p. 15	9795-3731-02	659	4	p. 25	30969	3	1	p. 3		
9683-0030-02	767	2	p. 17	9899-3622-16	511	5	p. 27	31342	134	1	p. 7		
9683-0030-02	797	1	p. 15	9899-3622-16	541	4	p. 27	31588	188	1	p. 7		
9683-0030-02	807	1	p. 15	9899-3625-16	601	3	p. 35	31845	37	1	p. 3		
9683-0030-02	809	1	p. 15	9899-3732-16	110	1	p. 21	31857	3	1	p. 3		
9683-0035-02	68	1	p. 19	9987-5125-16	34	1	p. 19	32180C	132	1	p. 5		
9683-0035-02	125	1	p. 21	9987-5125-16	44	1	p. 19	32581	70	2	p. 5		
9683-0035-02	658	4	p. 25	9987-5125-16	303	7	p. 29	32589	76	1	p. 5		
9683-0035-02	726	4	p. 15	9987-5145-12	305	1	p. 29	33013	145	1	p. 7		
9699-0026-02	162	2	p. 21	9988-3513-16	792	2	p. 17	33263	115	1	p. 5		
9699-0026-02	608	8	p. 35	9988-3516-16	91	4	p. 21	33272B	168	1	p. 7		
9699-0028-02	542	4	p. 27	9988-3516-16	161	2	p. 21	33273A	22	1	p. 3		
9699-0028-02	602	3	p. 35	9988-3516-16	196	1	p. 23	33329D	396	1	p. 7		
9699-0028-02	608	8	p. 35	9988-3516-16	247	3	p. 23	33369	42	1	p. 3		
9699-0028-02	803	1	p. 15	9988-3519-16	229	1	p. 23	33377	123	1	p. 5		
9699-0028-02	968	1	p. 33	9988-3519-16	607	4	p. 35	33454	52	1	p. 3		
9699-0029-02	602	3	p. 35	9988-3557-12	653	1	p. 25	33877	117	1	p. 5		
9699-0035-02	725	6	p. 15	9988-3619-16	141	1	p. 21	33878	140	1	p. 7		
9699-0035-02	773	1	p. 15	9988-3619-16	493	3	p. 27	34034	20	2	p. 3		
9699-0035-02	864	1	p. 31	9988-3619-16	796	1	p. 15	34035	67	1	p. 5		
9699-0035-02	866	1	p. 31	9988-3619-16	970	1	p. 33	34154	170	1	p. 7		
9699-0035-02	991	2	p. 33	9988-3625-16	527	4	p. 27	34155	172	1	p. 7		
9699-0038-02	217	2	p. 23	9988-3625-16	751	2	p. 15	34156A	175	1	p. 7		
9699-0038-02	244	2	p. 23	9988-3625-16	754	2	p. 15	34586	158	1	p. 7		
9699-0038-02	483	1	p. 27	9988-3638-12	12	4	p. 19	34587A	121	1	p. 5		
9699-0062-02	142	1	p. 21	9988-3645-16	766	2	p. 17	34663	138	1	p. 7		
9699-0092-02	129	2	p. 21	9988-3719-16	657	4	p. 25	34667	139	1	p. 7		
9699-0092-02	966	2	p. 33	9988-3732-12	146	1	p. 21	34677	133	1	p. 7		
9727-3541-22	969	1	p. 33	9988-3745-12	990	1	p. 33	35056	187	1	p. 7		
9727-3541-22	982	1	p. 33	9988-3751-12	723	2	p. 15	35057A	155	1	p. 7		
9743-3521-32	609	4	p. 35	9988-3764-12	724	2	p. 15	35062	160	1	p. 7		
9743-3521-32	654	1	p. 25	9988-3764-12	771	1	p. 15	35135	82	1	p. 5		
9743-3521-32	654	1	p. 25	25773A	9	1	p. 3	35187	95	1	p. 5		
9743-3621-32	144	1	p. 21	26460	178	4	p. 7	35262A	24	1	p. 3		
9743-3621-32	584	2	p. 35	27110	44	1	p. 9	35319	4	1	p. 3		
9743-3621-32	587	2	p. 35	27136A	32	1	p. 9	35319	27	1	p. 3		
				27554	33	1	p. 9	35350	108	1	p. 5		

code	pos.	q.ty	page				
35355	176	1	p. 7	611118	323	1	p. 7
35371	1	1	p. 3	630735	15	1	p. 9
35375	21	1	p. 3	630748	47	1	p. 9
35376	25	1	p. 3	630766	18	1	p. 9
35377	26	1	p. 3	631021	30	1	p. 9
35378	41	1	p. 3	631022	31	1	p. 9
35385	1	1	p. 3	631024	27	1	p. 9
35438	159	1	p. 7	631027	48	1	p. 9
35440	147	1	p. 7	631028	29	1	p. 9
35447A	130	1	p. 5	631776A	1	1	p. 9
35499	59	1	p. 3	631778	6	1	p. 9
35540	62	1	p. 5	631951	25	1	p. 9
35554	60	1	p. 5	631970	2	1	p. 9
35772	10	2	p. 3	632019	28	1	p. 9
35779	11	1	p. 3	632112	10	1	p. 9
35857	179	1	p. 7	632164	16	1	p. 9
35862	68	1	p. 5	632174	14	1	p. 9
35985B	194	1	p. 7	632547	37	2	p. 9
36205	58	1	p. 3	640005	36	1	p. 9
36245	8	1	p. 3	640012	40	1	p. 9
36448	96	1	p. 5	640012	40	1	p. 9
36449	97	1	p. 5	640016	20	1	p. 9
36450A	215	1	p. 7	640052	212	1	p. 7
36451	96	1	p. 5	640053	20	1	p. 9
36452A	215	1	p. 7	640054	212	1	p. 7
36460	6	1	p. 3	640055	40	1	p. 9
36652	186	1	p. 7	640055	40	1	p. 9
36896	18	1	p. 3	650128	23	1	p. 3
36897	17	1	p. 3	650128	109	2	p. 5
36898	17	1	p. 3	650378	119	2	p. 5
37047	161	1	p. 7	650417	17	1	p. 9
40009	9	1	p. 3	650506	7	2	p. 9
40013	11	1	p. 3	650561	7	2	p. 3
570682	131	1	p. 5	650561	173	1	p. 7
590412	7	2	p. 13	650665	174	2	p. 7
590535	12	1	p. 11	650690	128	3	p. 5
590535	12	1	p. 13	650691	127	2	p. 5
590574	13	1	p. 11	650691	127	5	p. 5
590574	13	1	p. 13	650694A	98	3	p. 5
590574	197	1	p. 7	650713	171	2	p. 7
590599A	1	1	p. 11	650727	129	2	p. 5
590599A	1	1	p. 13	650760	146	1	p. 7
590600	2	1	p. 11	650765	157	1	p. 7
590600	2	1	p. 13	650767	124	2	p. 5
590601	4	1	p. 11	650788	143	2	p. 7
590601	4	1	p. 13	650802	169	1	p. 7
590678	5	1	p. 13	650820	2	2	p. 3
590679	3	1	p. 13	650821	137	2	p. 7
590680	6	2	p. 13	650832	56	1	p. 3
590682	8	1	p. 13	650833	57	7	p. 3
590696	3	1	p. 11	650836	43	2	p. 3
590697	5	1	p. 11	650873	85	1	p. 5
590698	6	2	p. 11	650880	79	1	p. 5
590699	7	2	p. 11	650881	80	1	p. 5
590709	8	1	p. 11	651002	189	2	p. 7
590733	213	1	p. 7	651007	83	2	p. 5
590734	11	1	p. 11	651024	81	2	p. 5
590734A	11	1	p. 11	651028	54	1	p. 3
590749	213	1	p. 7	651029	135	1	p. 7
590750	11	1	p. 13	651033	19	2	p. 3
590750A	11	1	p. 13				
610118	82	1	p. 5				
610973	136	1	p. 7				
610973	162	1	p. 7				
611093	78	1	p. 5				
611111	86	1	p. 5				