



Reservdelskatalog Parts Catalogue

524 SNOW THROWER

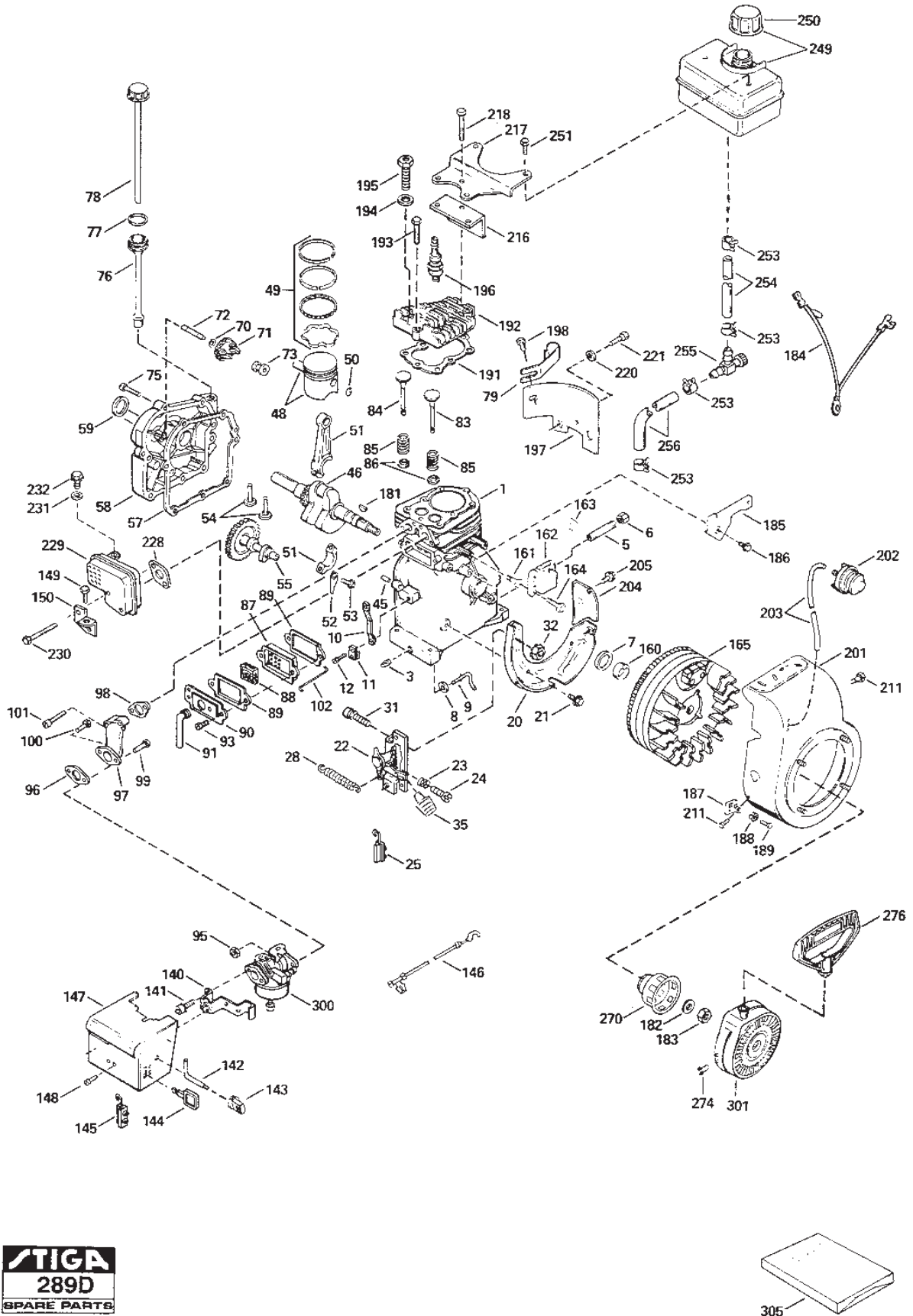
18-2824-18 - Season 1997

- Use GLOBAL GARDEN PRODUCT Genuine Spare Parts specified in the parts list for repair and/or replacement.
 - The contents described in the parts list may change due to improvement.
 - The drawings of the spare parts are only indicative and might not represent the part in question exactly.
 - The indications "right" - "left" - "front" - "rear" refer to the position of the operator when using the machine.
- When placing orders of parts for repair and/or replacement, make sure that the illustrated parts list is the one applying to the machine's year of manufacture, as shown on the identification plate attached to the machine.

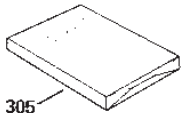
© Copyright 2014 Global Garden Products

All rights reserved. No part of this material may be reproduced or transmitted, in any form or by any means, electronic or mechanical, including photocopying, recording or by any information storage and retrieval system, without permission in writing from GLOBAL GARDEN PRODUCTS.

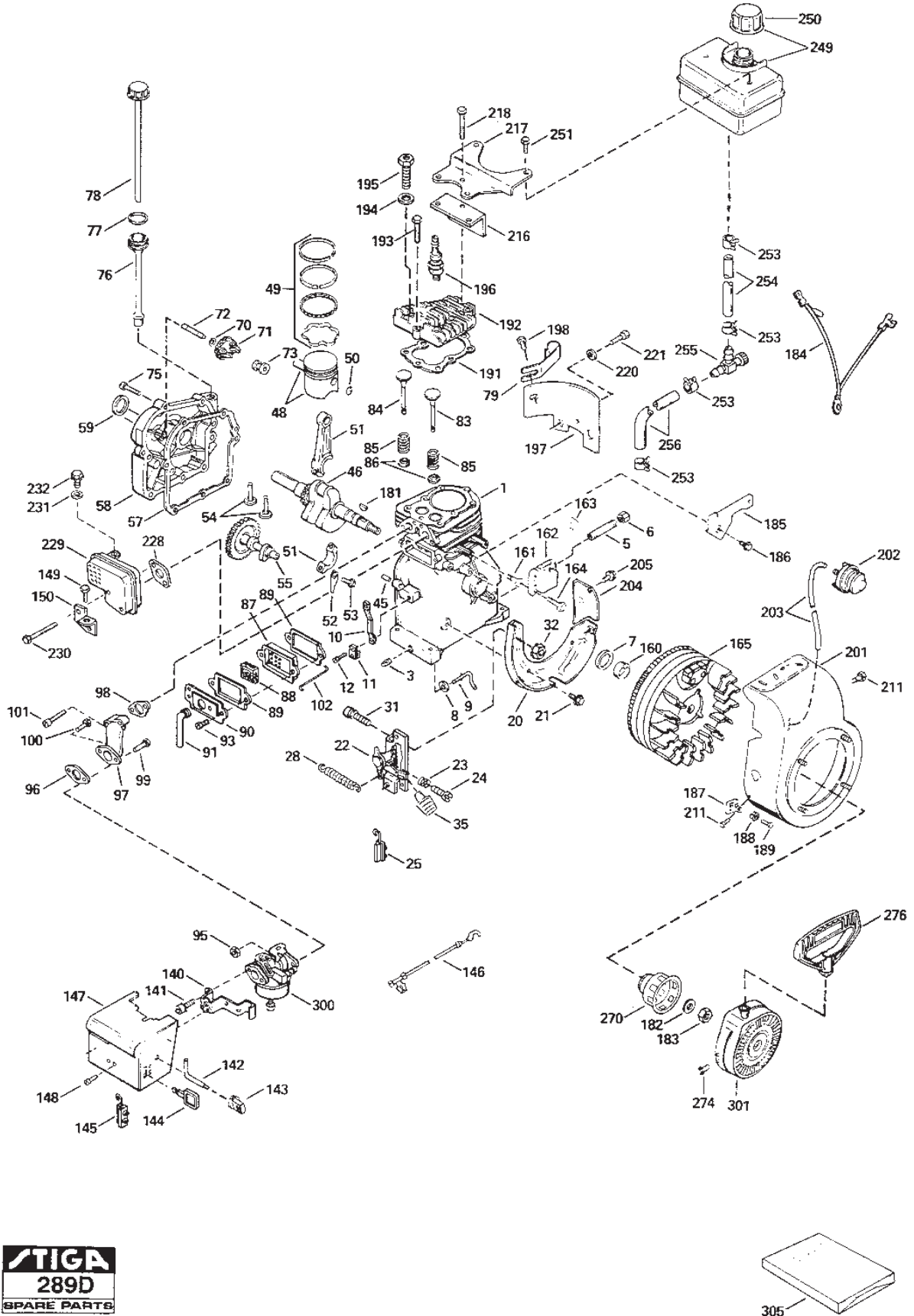
www.stiga.com



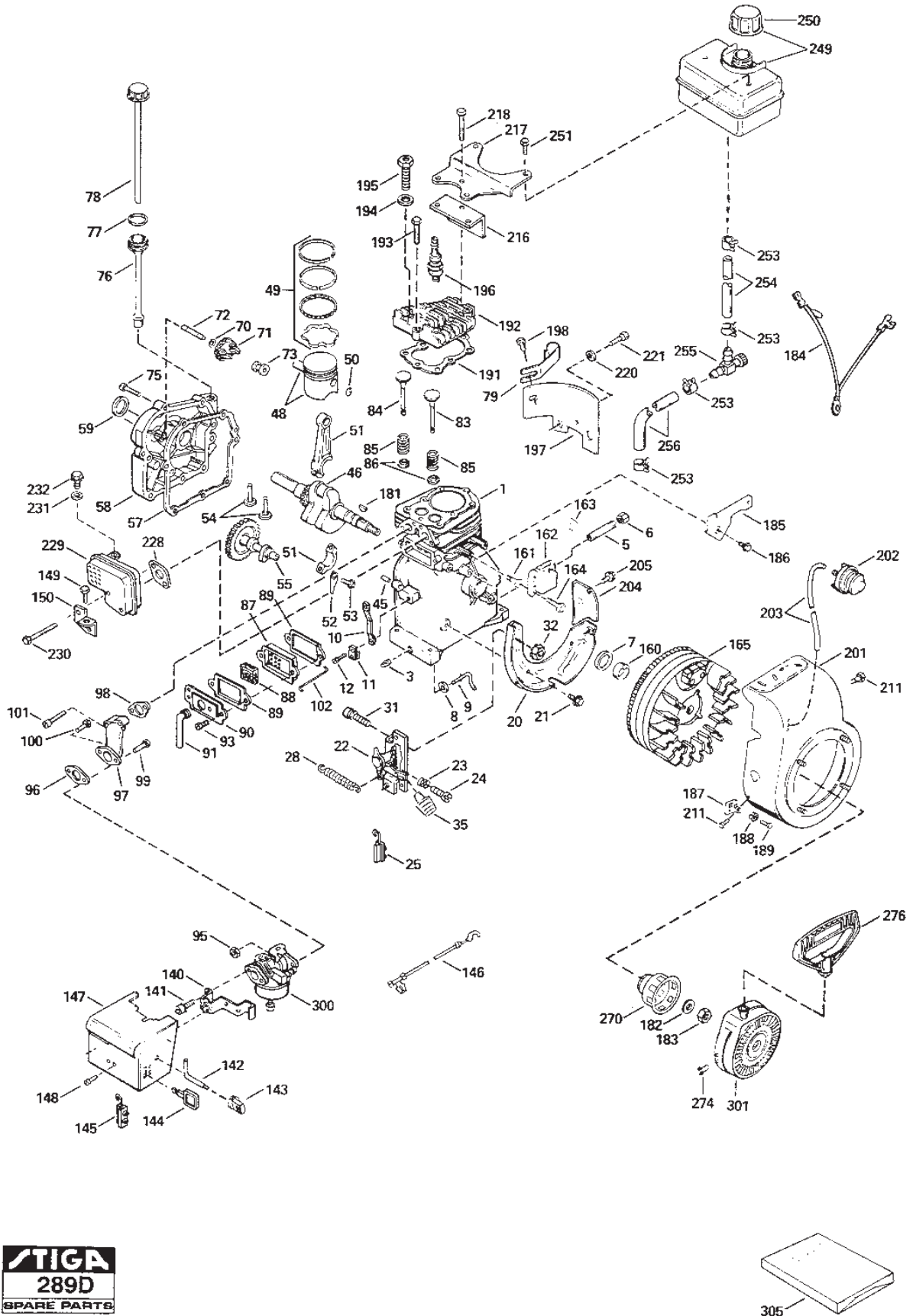
STIGA
289D
SPARE PARTS



Utgåva Issue 45 - 2014		Tecumseh Hs50		Tecumseh Hs50	
Pos. Fig.	Antal Quantity	Art nr Part No	Benämning	Description	Anmärkning Notes
1	1	36469A	Cylinder kpl	Cylinder Assy	Inkl. pos 3,7,45,83
3	1	27642	Oil drain plug	Oil drain plug	
3	1	28582	Plugg	Plug	
5	1	30968	Rör	Pipe	
6	1	30969	Cap	Cap	
7	1	32600	Oil seal	Oil seal	
8	1	28277	Bricka	Flat washer	
9	1	31334	Governor rod	Governor rod	
10	1	31510	Governor lever	Governor lever	
11	1	31335	Clamp	Clamp	
12	1	650548	Skruv	Screw	
12	1	651018	Skruv	Screw	
20	1	36552	Baffle	Baffle	
21	2	650802	Skruv	Screw	
22	1	36677	Bracket control assy	Bracket control assy	Inkl. pos 23-25,31-32
23	1	31342	Fjäder	Spring	
24	1	650549	Skruv	Screw	
25	1	610973	Terminal	Terminal	
28	1	31426	Fjäder	Spring	
31	1	650139	Skruv	Screw	
32	1	30322	Mutter	Nut	
35	1	35440	Knopp	Knob	
45	2	26727	Styrpinne	Dowel pin	
46	1	34740	Crankshaft	Crankshaft	
48	1	36070	Kolvsprint	Piston Pin	Inkl.pos. 50
49	1	36076	Ring set	Ring set	
50	2	20381	Retaining ring	Retaining ring	
51	1	32875	Connecting rod assy	Connecting rod assy	Inkl.pos 52-53
51	1	32875A	Connecting rod assy	Connecting rod assy	Inkl. pos 52-53
52	1	32654	Oil dipper	Oil dipper	
53	2	32610A	Skruv	Screw	
54	2	27241	Valve lifter	Valve lifter	
55	1	33158	Kamaxel	Camshaft	
57	1	27677A	Packning	Gasket	
58	1	34674C	Cylinderkåpa	Cylinder Cover assy	Inkl.pos. 59,70-73
59	1	27897	Oil seal	Oil seal	
70	1	30590A	Bricka	Flat washer	
71	1	30591	Governor gear	Governor gear	Inklk.pos. 70
72	1	30574A	Governor shaft	Governor shaft	
73	1	30588A	Spool	Spool	
75	7	650488	Skruv	Screw	
76	1	35554	Oljepåfyllningsrör	Oil fill tube	
77	1	35499	O-ring	O-ring	
78	1	35556	Oil dipstick	Oil dipstick	
79	1	35539	Clip	Clip	
83	1	36471	Exhaust valve	Exhaust valve	Inkl.pos. 86
84	1	32644A	Insugningsventil	Intake valve	Inkl.pos. 86
85	2	31672	Valve spring	Valve spring	
86	2	31673	Valve cap	Valve cap	

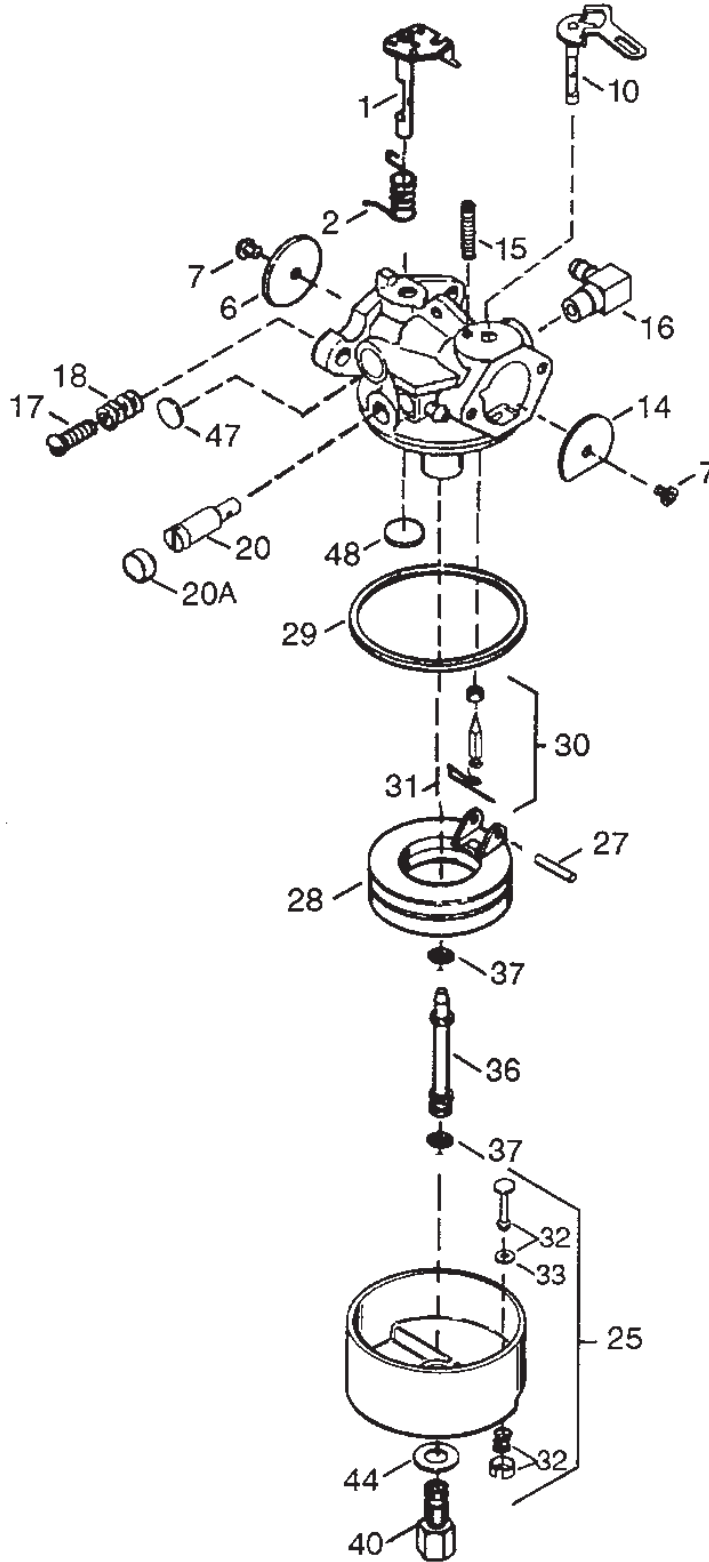


Utgåva Issue 45 - 2014		Tecumseh Hs50		Tecumseh Hs50	
Pos. Fig.	Antal Quantity	Art nr Part No	Benämning	Description	Anmärkning Notes
87	1	27666	Valve cover body	Valve cover body	
88	1	31410	Filterelement	Element	
89	2	27234A	Packning	Gasket	
90	1	34146	Cover	Cover	
91	1	35350	Rör	Tube	
93	2	30200	Skruv	Screw	
93	2	650783	Skruv	Screw	
95	2	29752	Mutter	Nut	
96	1	26756	Packning	Gasket	
97	1	33691	Intake pipe	Intake pipe	
98	1	33673A	Packning	Gasket	
99	1	650870	Skruv	Screw	
100	1	6201	Skruv	Screw	
101	2	650664	Skruv	Screw	
102	1	32698	Länk	Link	
140	1	34583	Choke bracket	Choke bracket	
140	1	34583A	Choke bracket	Choke bracket	
141	2	28820	Skruv	Screw	
142	1	34582	Choke rod	Choke rod	
143	1	35438	Reglageknopp	Knob	
144	1	35062	Tändningsnyckel	Ignition Key	
145	1	610973	Terminal	Terminal	
146	1	35285	Ground wire	Ground wire	
146	1	36874	Ground wire	Ground wire	
147	1	35072	Cover	Cover	
148	2	650257	Skruv	Screw	
149	1	650735	Skruv	Screw	
150	1	33333	Fäste	Bracket	
160	1	34080	Distans	Spacer	
161	2	650872	Pinnbult	Mounting stud	
162	1	34443A	Solid state ignition	Solid state ignition	
162	1	34443B	Solid state ignition	Solid state ignition	
163	1	610118	Spark plug cover	Spark plug cover	
164	2	651007	Skruv	Screw	
165	1	611199	Flywheel	Flywheel	
181	1	610961	Kil	Key	
182	1	650815	Bricka	Washer	
183	1	650816	Mutter	Nut	
184	1	35182	Ground wire	Ground wire	
184	1	35557	Ground wire	Ground wire	
185	1	34212	Fäste	Bracket	
186	1	30200	Skruv	Screw	
187	1	34126	Fäste	Bracket	
188	1	28545	Isoleringshylsa	Grommet	
189	1	650760	Skruv	Screw	
191	1	36443	Packning	Gasket	
192	1	36441	Topplöck	Cylinder Head	Inkl.pos. 218
193	2	6021A	Skruv	Screw	
194	1	650691	Bricka	Washer	



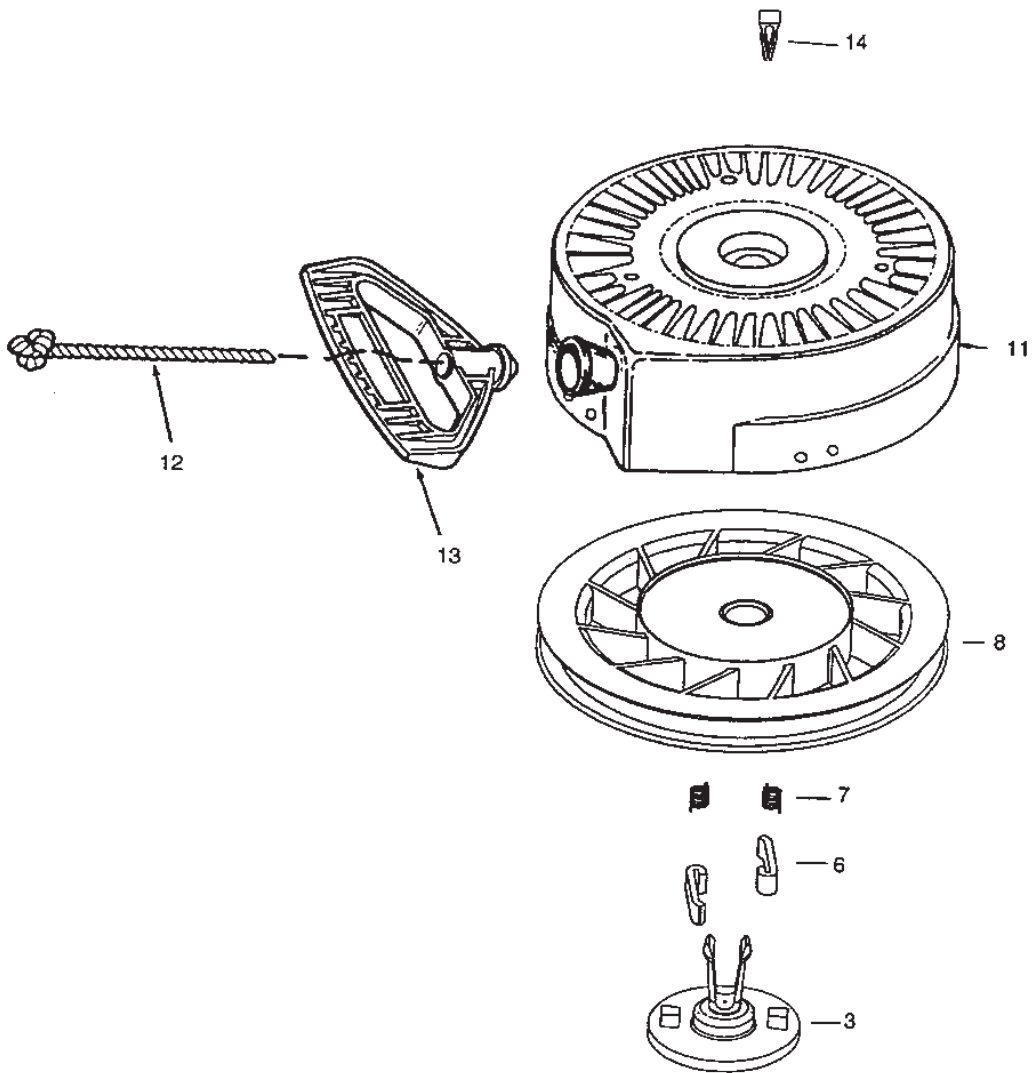
Utgåva Issue 45 - 2014		Tecumseh Hs50		Tecumseh Hs50	
Pos. Fig.	Antal Quantity	Art nr Part No	Benämning	Description	Anmärkning Notes
195	1	650818	Skruv	Screw	
196	1	9400-0225-00	Tändstift (J19Lm)	Spark Plug (J19Lm)	Champion J19LM
197	1	29745	Extension	Extension	
198	1	650128	Skruv	Screw	
201	1	35656A	Blower housing	Blower housing	
202	1	570682	Primer	Primer	
203	1	32180C	Primerslang	Primer line	
204	1	35883	Extension	Extension	
205	1	650926	Skruv	Screw	
211	2	650737	Skruv	Screw	
216	1	33344	Värmeskydd	Heat baffle	
217	1	36247	Tank bracket	Tank bracket	
218	5	650694A	Skruv	Screw	
220	2	650675	Bricka	Washer	
221	1	30063	Skruv	Screw	
228	1	33670A	Packning	Gasket	
229	1	35771	Ljuddämpare	Muffler	Inkl.pos. 228
230	2	650327	Skruv	Screw	
231	1	8345	Bricka	Washer	
232	1	30063	Skruv	Screw	
249	1	35584	Tank assy	Tank assy	Inkl.pos. 250,253
250	1	35355	Tank cap	Tank cap	
251	2	650665	Skruv	Screw	
253	4	26460	Clamp	Clamp	
254	1	30705	Fuel line	Fuel line	
255	1	35857	Shut-off valve	Shut-off valve	
256	1	29774	Fuel line	Fuel line	
270	1	36467A	Starter cup	Starter cup	
274	2	650926	Skruv	Screw	
276	1	590574	Styrplåt kpl	Starter handle	
300	1	640084	Förgasare kpl	Carburettor Assy	Inkl. pos 96
300	1	632107A	Förgasare kpl	Carburettor Assy	
301	1	590742	Starter assy	Starter assy	Alt. 2
301	1	590707	Starter assy	Starter assy	Alt. 1
305	1	36444	Packningssats	Gasket set	

640084

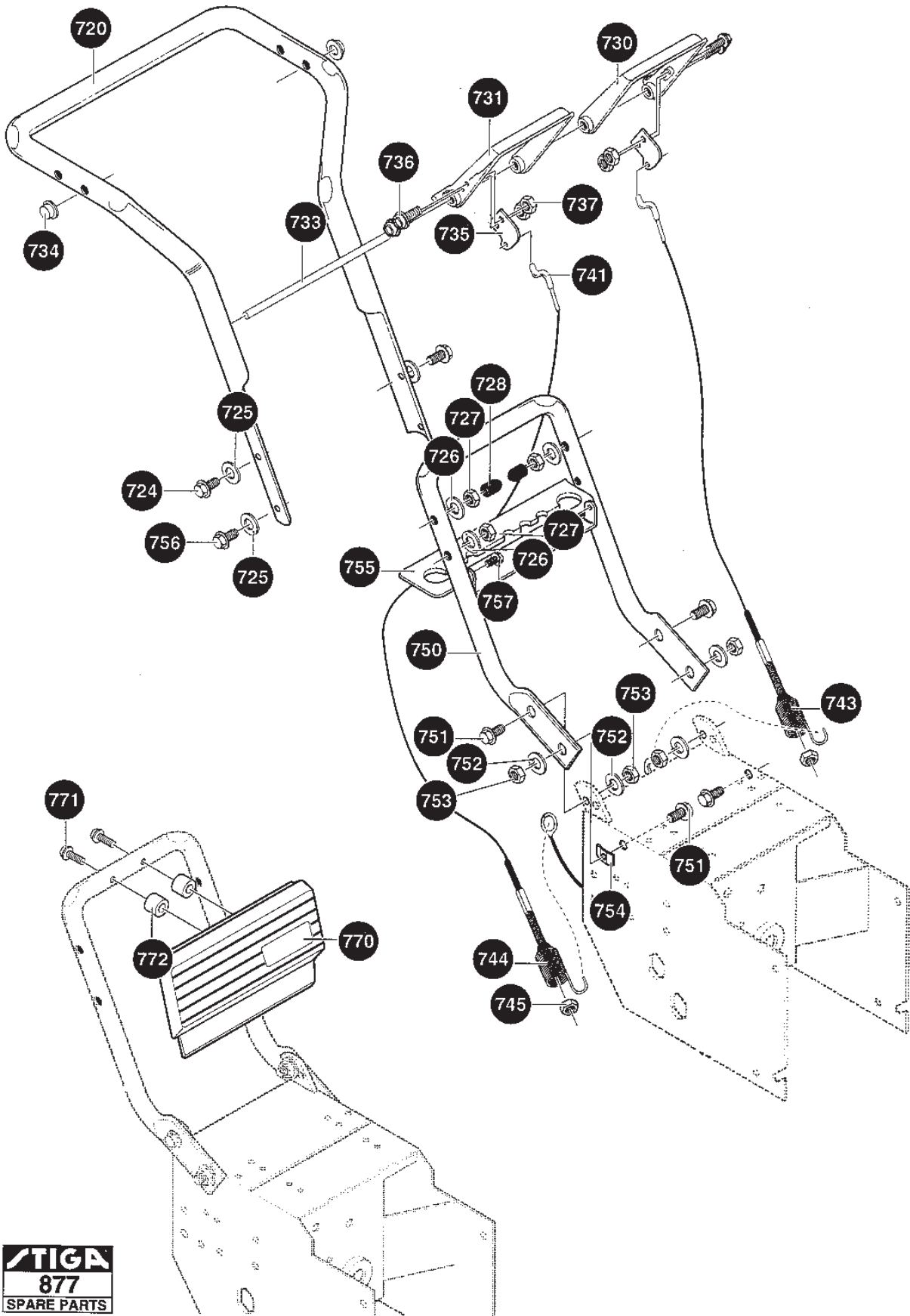


Utgåva Issue 45 - 2014		Tecumseh Hs50 Förgasare		Tecumseh Hs50 Carburettor	
Pos. Fig.	Antal Quantity	Art nr Part No	Benämning	Description	Anmärkning Notes
1	1	631615	Spjällsaxeln	Throttle Shaft	
2	1	631767	Fjäder	Spring	
6	1	640070	Gasspjäll	Throttle Shutter	
7	2	650506	Skruv	Screw	
10	1	632108	Choke shaft	Choke shaft	
14	1	631890	Choke shutter	Choke shutter	
15	1	630735	Fjäder	Spring	
16	1	631807	Nippel	Fuel fitting	
17	1	651025	Skruv	Screw	
18	1	630766	Fjäder	Spring	
20	1	640053	Skruv	Screw	
20	1	640018	Skruv	Screw	
25	1	631951	Flottörhus kpl	Float bowl assy	Inkl. pos 32-33
27	1	631024	Flottöraxel	Float shaft	
28	1	632019	Flottör	Float	
29	1	631028	O-ring	O-ring	
30	1	631021	Nålventil kpl	Inlet needle assy	Inkl. pos 31
31	1	631022	Fjäder	Spring clip	
32	1	27136A	Bowl drain	Bowl drain	
33	1	27554	Packning	Gasket	
36	1	632735	Main nozzle tube	Main nozzle tube	
36	1	632745	Main nozzle tube	Main nozzle tube	
37	2	632547	O-ring	O-ring	
40	1	640085	Mutter	Nut	
40	1	640166	Mutter	Nut	
44	1	27110	Packning	Gasket	
47	1	630748	Welch plug	Welch plug	
48	1	631027	Welch plug	Welch plug	

590742



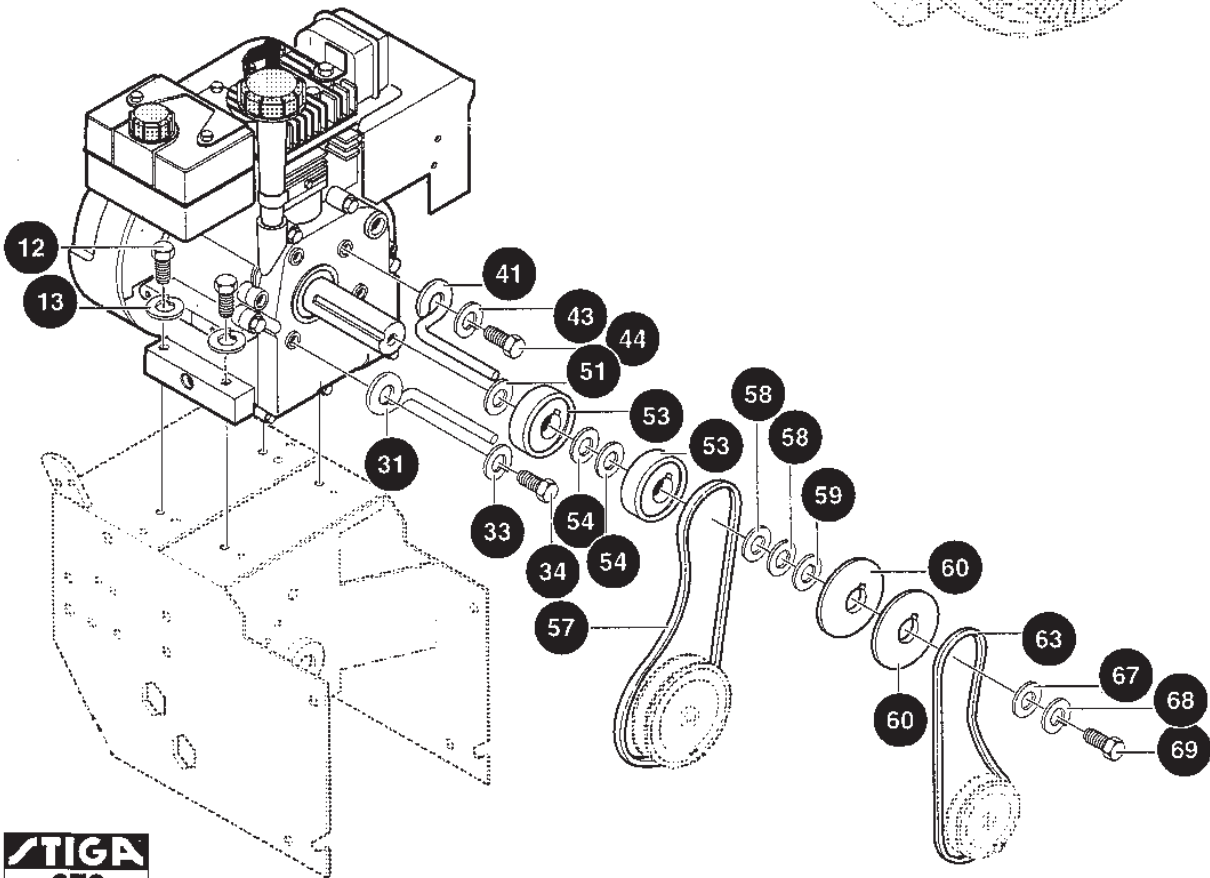
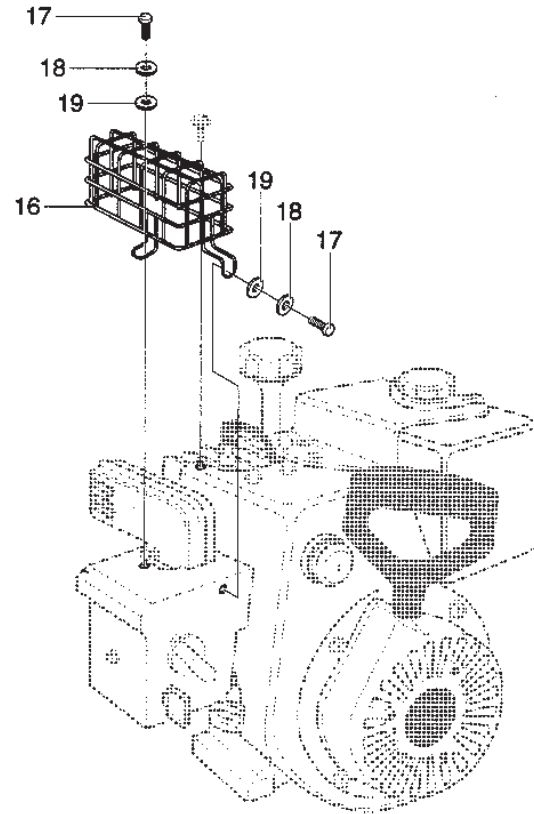
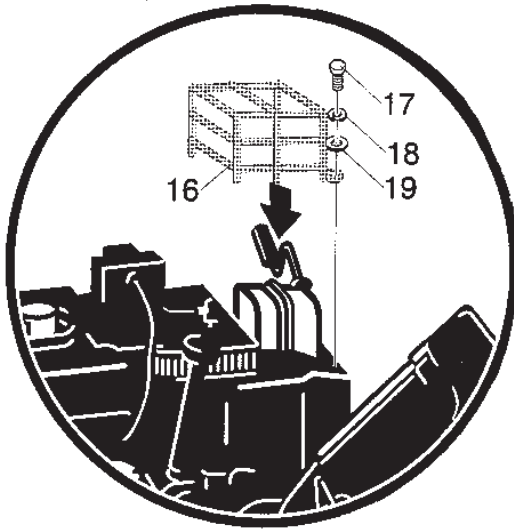
Utgåva Issue 45 - 2014		Tecumseh Hs50 Snörstart		Tecumseh Hs50 Rewind Starter	
Pos. Fig.	Antal Quantity	Art nr Part No	Benämning	Description	Anmärkning Notes
3	1	590740	Hållare	Retainer	
6	2	590616	Starter dog	Starter dog	
7	2	590617	Fjäder	Spring	
8	1	590645A	Pulley assy	Pulley assy	
11	1	590647	Starthus	Starter housing	
11	1	590647A	Starthus	Starter housing	
12	1	590535	Startsnöre	Starter Rope	
13	1	590574	Styrplåt kpl	Starter handle	
14	1	590741	Låstunga	Locking tab	
14	1	590760	Fjäder	Spring clip	



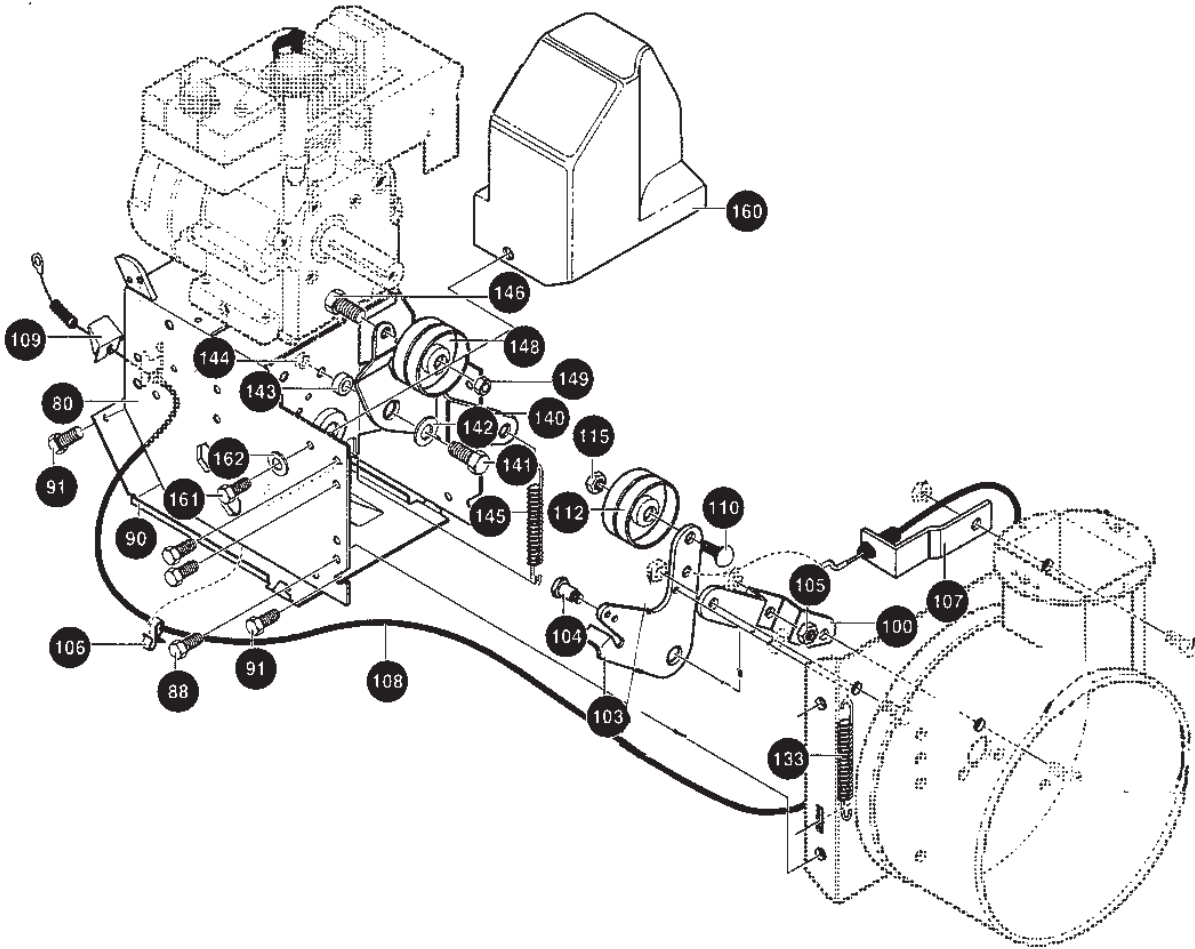
Utgåva Issue 45 - 2014		Styre	Handle		
Pos. Fig.	Antal Quantity	Art nr Part No	Benämning	Description	Anmärkning Notes
720	1	1812-0879-01	Handtag, övre	Upper Handle	
724	2	9988-3670-12	Skruv	Screw	
725	4	9699-0028-02	Bricka	Washer	
726	4	9683-0030-02	Bricka	Washer	
727	4	9795-3631-02	Mutter	Nut	
728	2	1812-0941-01	Plastknopp	Plastic Stop	
730	1	1812-0932-01	Kopplingshandtag-vä	Clutch Handle, Left	
731	1	1812-0933-01	Kopplingshandtag-hö	Clutch Handle, Right	
733	1	1812-0934-01	Handtagsaxel	Clutch handle rod Rod, Clutch Handle	
734	2	1812-0513-01	Låsning	Retainer	
735	2	1812-0946-01	Wirefäste	Cable pivot plate Plate, Cable Pivot	
736	4	9988-3525-16	Skruv	Screw	
737	4	1812-0812-01	Mutter	Nut	
741	2	1812-0248-01	Reglagewire (725 Mm)	Wire (725 Mm)	
743	1	1812-1210-01	Fjäder	Spring	
744	1	1812-0254-01	Fjäder	Spring	
745	2	1812-0812-01	Mutter	Nut	
750	1	1812-1323-01	Däck-underdel Styre-underdel	Handle-lower	
751	4	9988-3625-16	Skruv	Screw	
752	4	9683-0030-02	Bricka	Washer	
753	4	9795-3631-02	Mutter	Nut	
754	2	1812-1392-01	Snabbmutter	Nut	
755	1	1812-1398-01	Växelväljarplåt	Gear Selector Bracket	
756	2	9988-3651-12	Skruv	Screw	
757	2	9843-8219-16	Skruv	Screw	
770	1	1812-1367-01	Panel	Control Panel	
771	2	1812-1412-01	Skruv	Screw	
772	2	1812-0531-01	Distans	Spacer	

Snow Buster

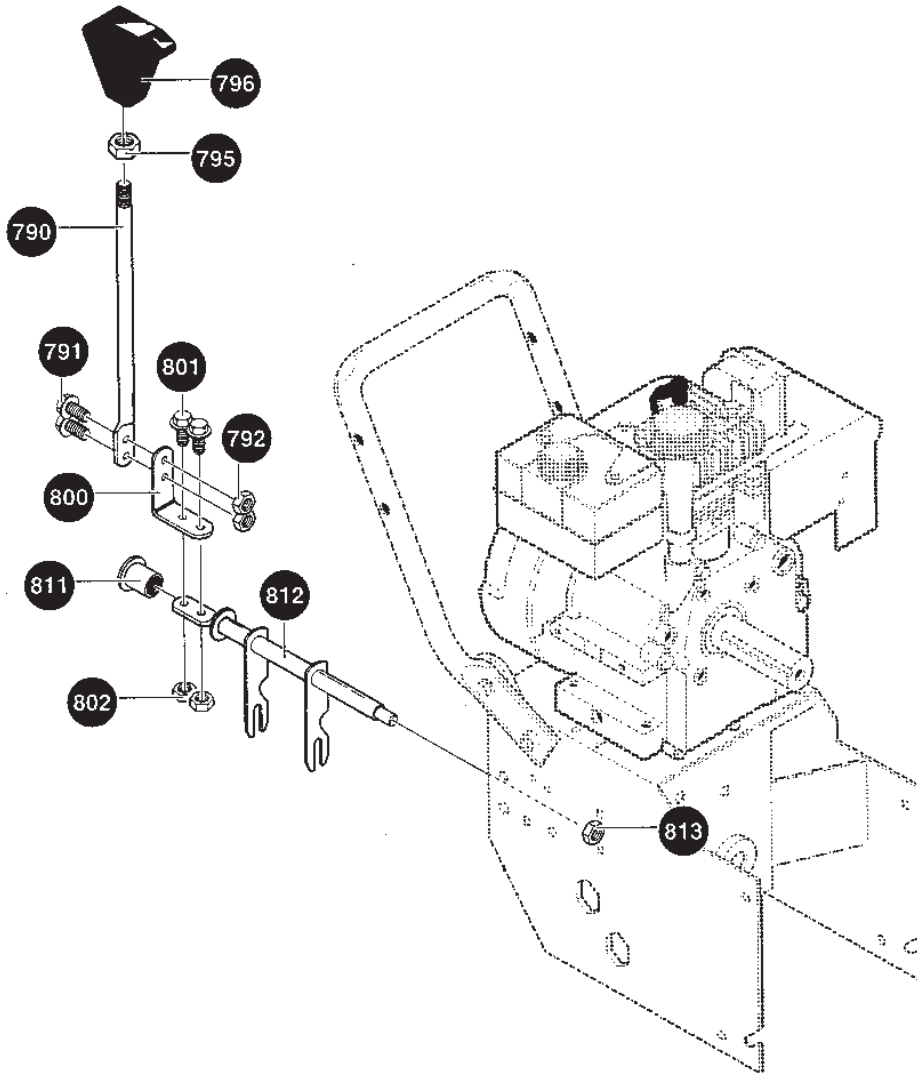
524



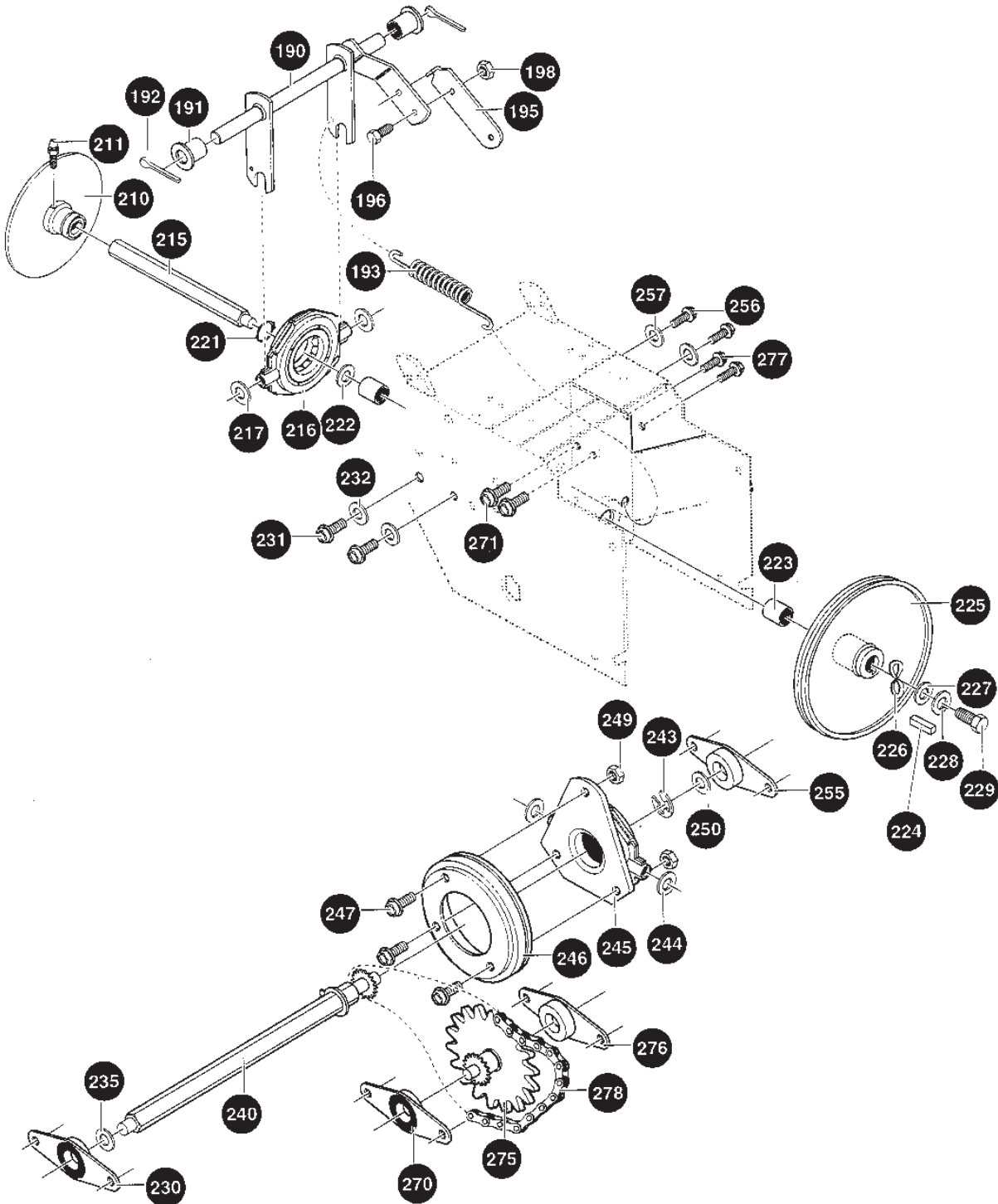
Utgåva Issue 45 - 2014		Motor Remtransmission		Engine Belt Transmission	
Pos. Fig.	Antal Quantity	Art nr Part No	Benämning	Description	Anmärkning Notes
12	4	9988-3638-12	Skruv	Screw	
13	4	9683-0030-02	Bricka	Washer	
16	1	1812-1415-01	Ljuddämparskydd	Muffler Guard	
17	2	1812-1386-01	Skruv	Screw	
18	2	1812-1388-01	Bricka	Washer	
19	2	1812-1387-01	Planbricka	Flat washer	
31	1	1812-0533-01	Remstyrning	Belt Guide	
33	1	9683-0030-02	Bricka	Washer	
34	1	9987-5125-16	Skruv	Screw	
41	1	1812-0533-01	Remstyrning	Belt Guide	
43	1	9683-0030-02	Bricka	Washer	
44	1	9987-5125-16	Skruv	Screw	
51	1	1812-1202-01	Bricka	Washer	
53	2	1812-1201-01	Motorremskiva	Traction Pulley	
57	1	1812-9016-01	Kilrem	V-Belt	
58	2	1812-0407-01	Bricka	Washer	
59	1	1812-1350-01	Distans	Spacer	
60	2	1812-1351-01	Motorremskiva	Engine Pulley	
63	1	1812-9019-01	Drivrem	Belt	
67	1	1812-0283-01	Bricka	Washer	
68	1	9683-0035-02	Bricka	Washer	
69	1	1133-0762-01	Skruv	Screw	



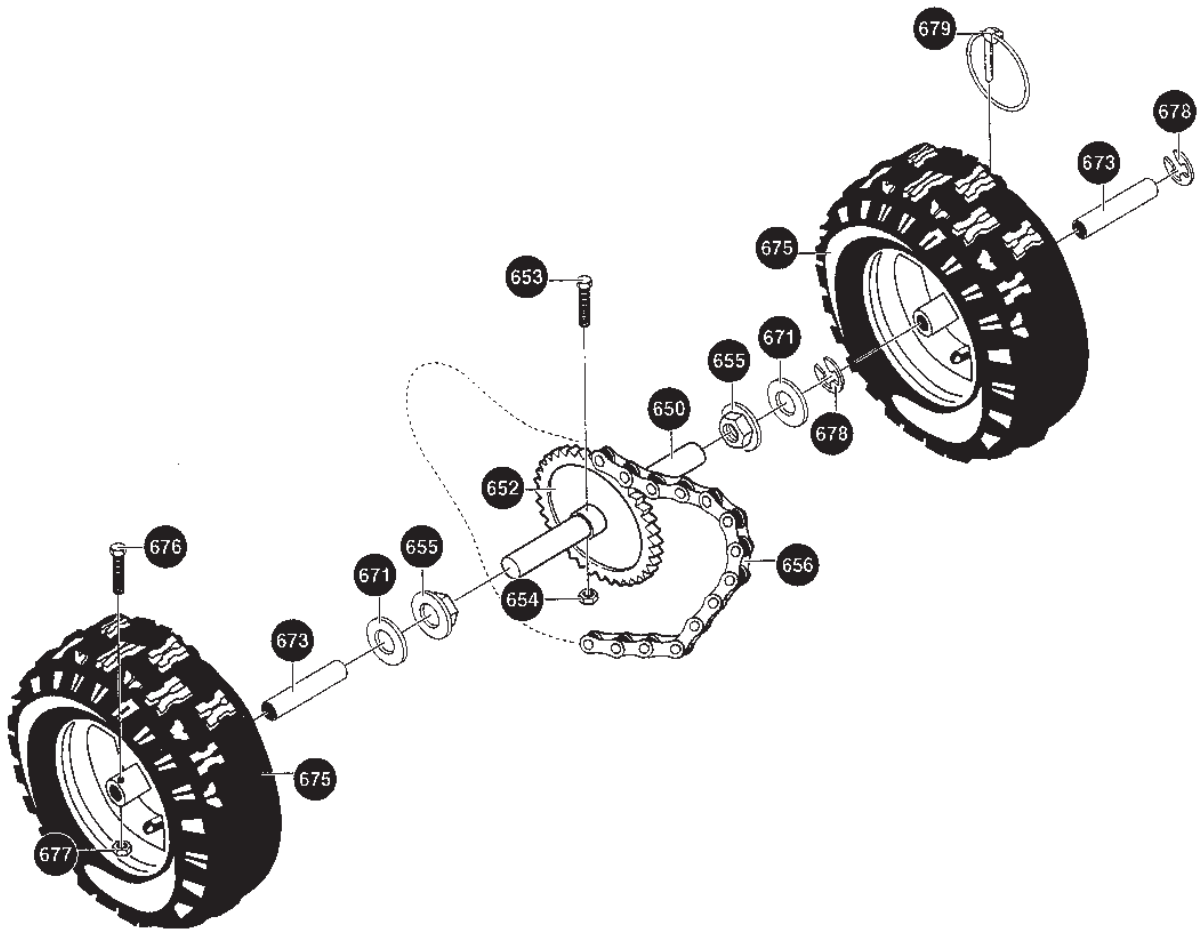
Utgåva Issue 45 - 2014		Spännrullar		Idler Pulleys	
Pos. Fig.	Antal Quantity	Art nr Part No	Benämning	Description	Anmärkning Notes
80	1	1812-1407-01	Chassi	Engine Mount Frame	
88	6	1812-0385-01	Skruv	Screw	
90	1	1812-1257-01	Bottenplåt	Bottom Panel	
91	4	9988-3516-16	Skruv	Screw	
100	1	1812-1468-01	Kopplingsplatta	Clutch Plate	
103	1	1812-1471-01	Kopplingswire	Clutch Cable	
104	1	1812-1429-01	Bult	Bolt	
105	1	9743-3721-32	Mutter	Nut	
106	1	1812-1409-01	Wireklämma	Cable Clip	
107	1	1812-1408-01	Wirefäste	Cable Mount Bracket	
108	1	1812-1466-01	Reglagewire	Clutch Control Cable	
109	1	1812-1411-01	Wireskyddsplåt	Cable Guard Shield	
110	1	9988-3732-12	Skruv	Screw	
112	1	1812-0305-01	Spännrulle	Tension Roller	
115	1	9743-3721-32	Mutter	Nut	
133	1	1812-0329-01	Fjäder	Spring	
140	1	1812-1211-01	Spännarm	Idler Lever	
141	1	9988-3619-16	Skruv	Screw	
142	1	9699-0062-02	Bricka	Washer	
143	1	1812-1208-01	Bussning	Bushing	
144	1	9743-3621-32	Mutter	Nut	
145	1	1812-0329-01	Fjäder	Spring	
146	1	9988-3732-12	Skruv	Screw	
148	1	1812-0305-01	Spännrulle	Tension Roller	
149	1	9743-3721-32	Mutter	Nut	
160	1	1812-1228-01	Remskydd	Belt Cover	
161	2	9988-3516-16	Skruv	Screw	
162	2	9699-0026-02	Bricka	Washer	



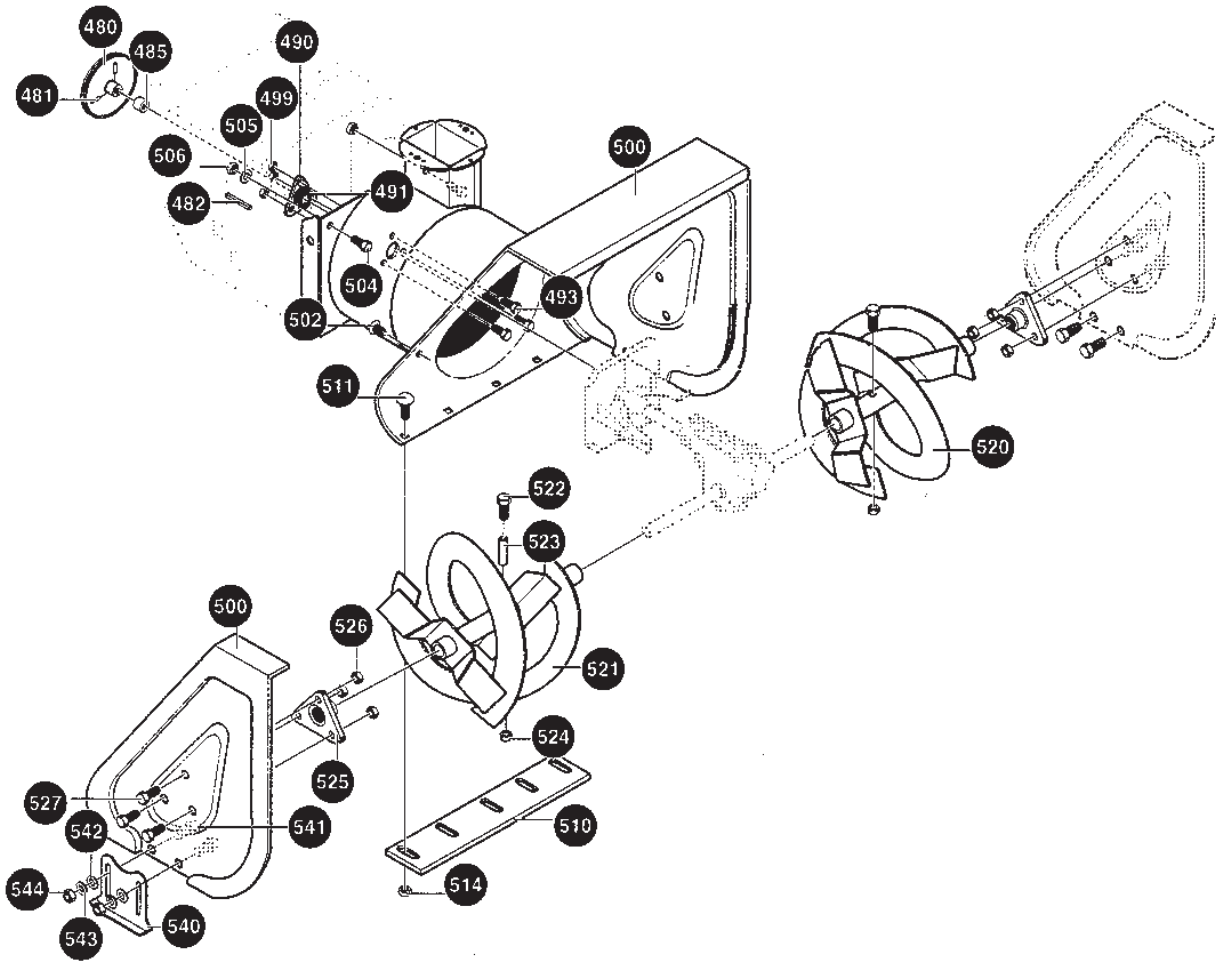
Utgåva Issue 45 - 2014		Växelspak Gear Shifter			
Pos. Fig.	Antal Quantity	Art nr Part No	Benämning	Description	Anmärkning Notes
790	1	1812-1420-01	Växelspak	Shift Rod	
791	2	9988-3519-16	Skruv	Screw	
792	2	1812-0812-01	Mutter	Nut	
795	1	9795-3931-00	Mutter	Nut	
796	1	1812-1308-01	Knopp	Shift Knob	
800	1	1812-1444-01	Spakfjäder Fjäder	Lever spring Spring	
801	2	9988-3519-16	Skruv	Screw	
802	2	1812-0812-01	Mutter	Nut	
811	1	1812-1219-01	Plastbussning	Plastic Bushing	
812	1	1812-1328-01	Speed selector rod	Speed selector rod	
813	1	9743-3721-32	Mutter	Nut	
813	1	9795-3731-02	Mutter	Nut	
813	1	9743-3721-32	Mutter	Nut	
813	1	9795-3731-02	Mutter	Nut	



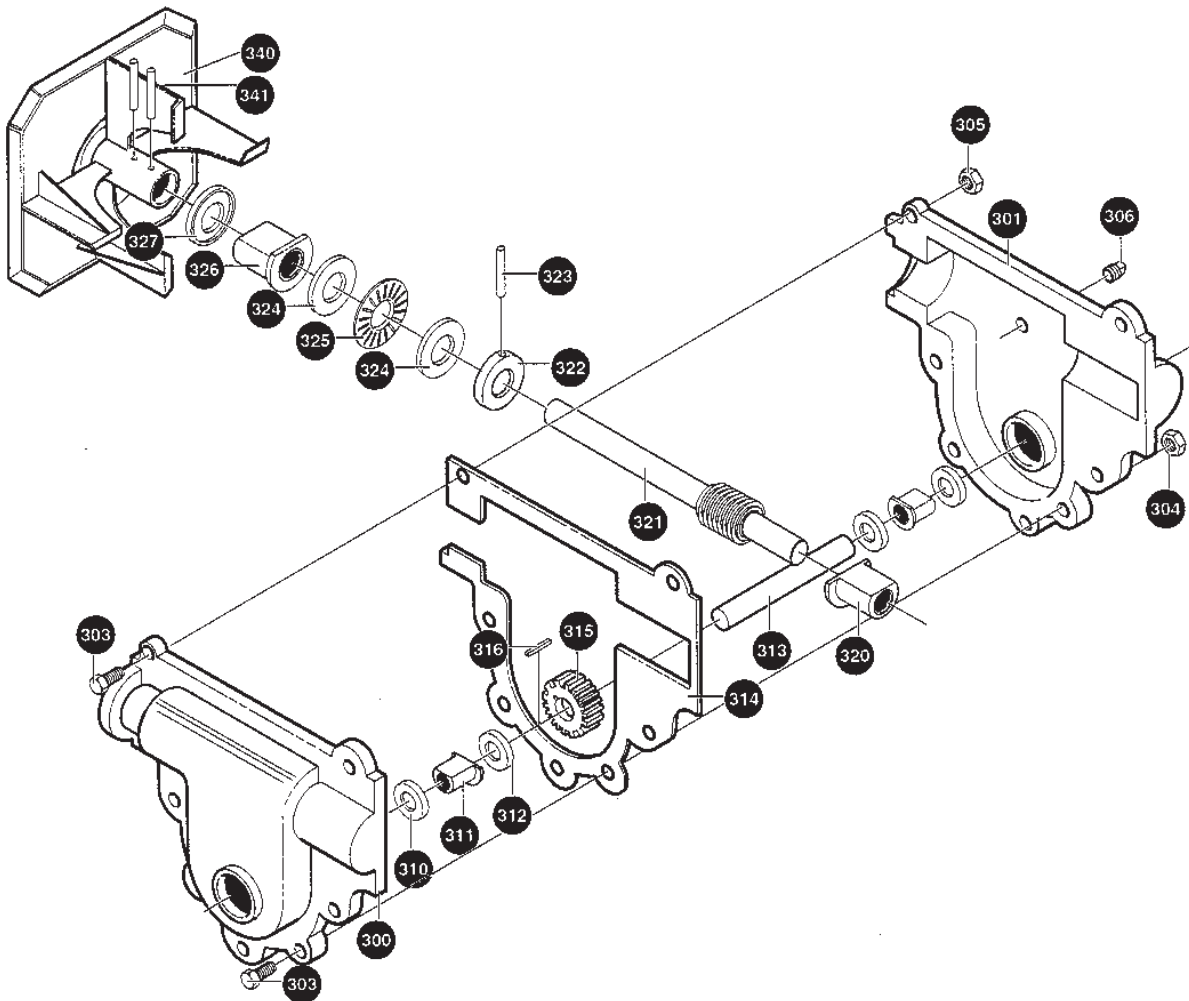
Utgåva Issue 45 - 2014		Drivning Drive Train			
Pos. Fig.	Antal Quantity	Art nr Part No	Benämning	Description	Anmärkning Notes
190	1	1812-1218-01	Traction shaft	Traction shaft	
191	2	1812-0328-01	Bussning	Bushing	
192	2	9599-0073-02	Saxsprint	Split Pin	
193	1	1812-0364-01	Fjäder	Spring	
195	1	1812-1217-01	Fjäderarm	Traction Spring Lever	
196	1	9988-3516-16	Skruv	Screw	
198	1	1812-0812-01	Mutter	Nut	
210	1	1812-1269-01	Friktionshjul	Friction Disc	
211	1	1812-1425-01	Smörjnippel	Grease Zerk	
215	1	1812-1262-01	Axel	Traction Hex Shaft	
216	1	1812-0450-01	Bärlager	Bearing	
217	2	9699-0038-02	Bricka	Washer	
221	1	1812-0402-01	Låsring	Retaining Ring	
222	1	1812-1238-01	Bricka	Washer	
223	2	1812-1383-01	Kullager	Ball Bearing	
224	1	1812-1239-01	Kil	Square Key	
225	1	1812-1236-01	Remskiva	Traction Pulley	
226	1	1812-1237-01	Bricka	Wave Washer	
227	1	1812-1190-01	Bricka	Flat washer	
228	1	9683-0025-02	Bricka	Washer	
229	1	9988-3519-16	Skruv	Screw	
230	1	1812-1178-01	Glidlager m.hållare	Bearing & Retainer	
231	2	1812-0385-01	Skruv	Screw	
232	2	9683-0030-02	Bricka	Washer	
235	1	1812-1204-01	Bricka	Washer	
240	1	1812-1345-01	Sexkantsaxel	Hex Shaft	
243	1	1812-1164-01	Låsring	Retainer Ring	
244	2	9699-0038-02	Bricka	Washer	
245	1	1812-1313-01	Lager	Trunion Bearing	
246	1	1812-9002-01	Friktionshjul	Friction Disc	
247	3	9988-3516-16	Skruv	Screw	
249	3	9795-3531-02	Mutter	Nut	
250	1	1812-1204-01	Bricka	Washer	
255	1	1812-1178-01	Glidlager m.hållare	Bearing & Retainer	
256	2	1812-0385-01	Skruv	Screw	
257	2	9683-0030-02	Bricka	Washer	
270	1	1812-1178-01	Glidlager m.hållare	Bearing & Retainer	
271	2	1812-0385-01	Skruv	Screw	
275	1	1812-1213-01	Axel M.Kedjedrev (1/2")	Jack Shaft	36T & 8T
276	1	1812-1178-01	Glidlager m.hållare	Bearing & Retainer	
277	2	1812-0385-01	Skruv	Screw	
278	1	1812-1209-01	Kedja	Chain Roller	



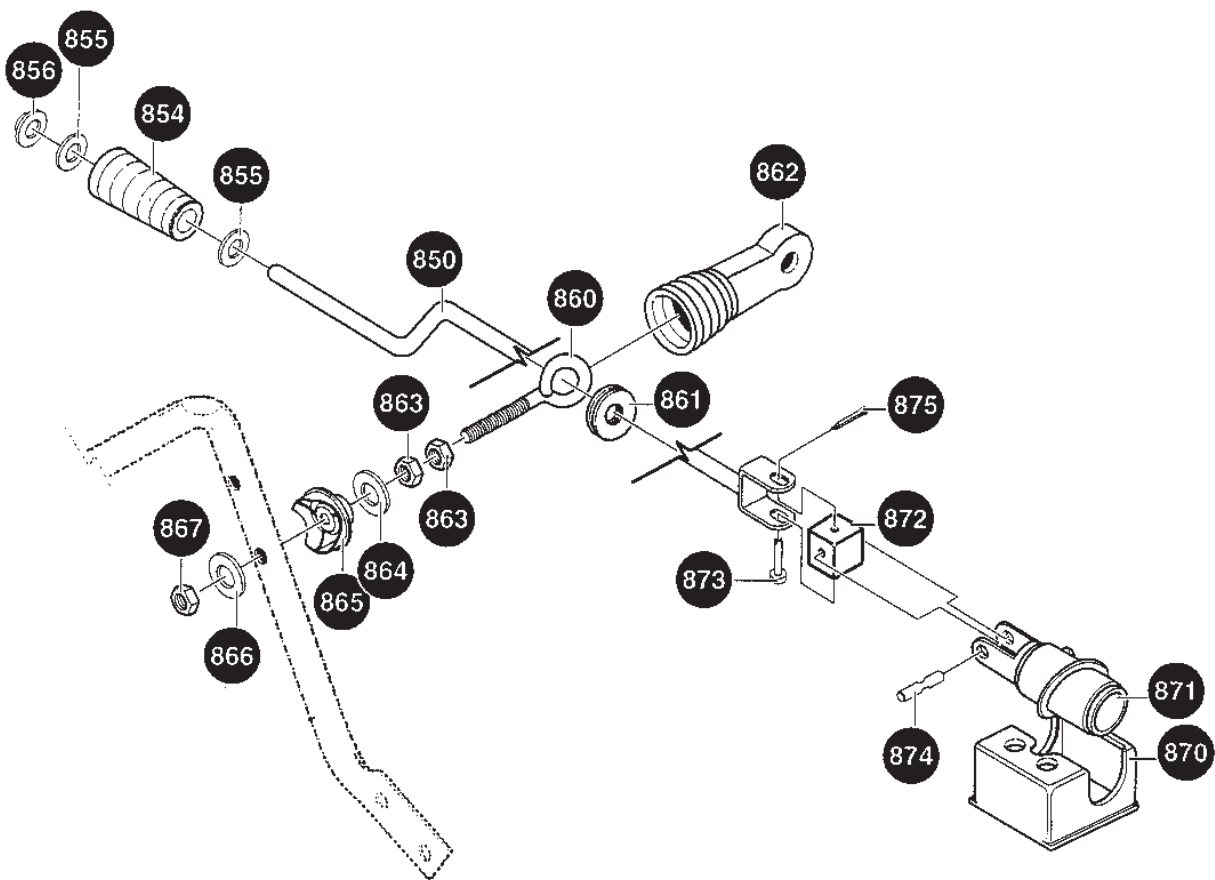
Utgåva Issue 45 - 2014		Hjul Wheels			
Pos. Fig.	Antal Quantity	Art nr Part No	Benämning	Description	Anmärkning Notes
650	1	1812-1231-01	Hjulaxel	Axle	
652	1	1812-1254-01	Kedjedrev-35T	Sprocket	
653	1	9988-3557-12	Skruv	Screw	
654	1	1812-0812-01	Mutter	Nut	
654	1	9743-3521-32	Mutter	Nut	
654	1	1812-0812-01	Mutter	Nut	
654	1	9743-3521-32	Mutter	Nut	
655	2	1812-1246-01	Lager	Bearing Axle	
656	1	1812-1209-01	Kedja	Chain Roller	
671	2	1812-0407-01	Bricka	Washer	
673	2	1812-1342-01	Hjulbussning	Bushing	
675	2	1812-1311-01	Hjul	Wheel	4.10 x 3.50 - 6
675	2	1812-1173-01	Hjul Hjul kpl	Wheel Wheel assy	13 x 5.00 - 6
676	1	1812-1114-01	Bult Skruv	Bolt Screw	
677	1	1812-0812-01	Mutter	Nut	
677	1	9743-3521-32	Mutter	Nut	
677	1	1812-0812-01	Mutter	Nut	
677	1	9743-3521-32	Mutter	Nut	
678	2	1812-0567-01	Låsning Bricka	Retainer ring Washer	
679	1	1812-0408-01	Låssprint	Click Pin	



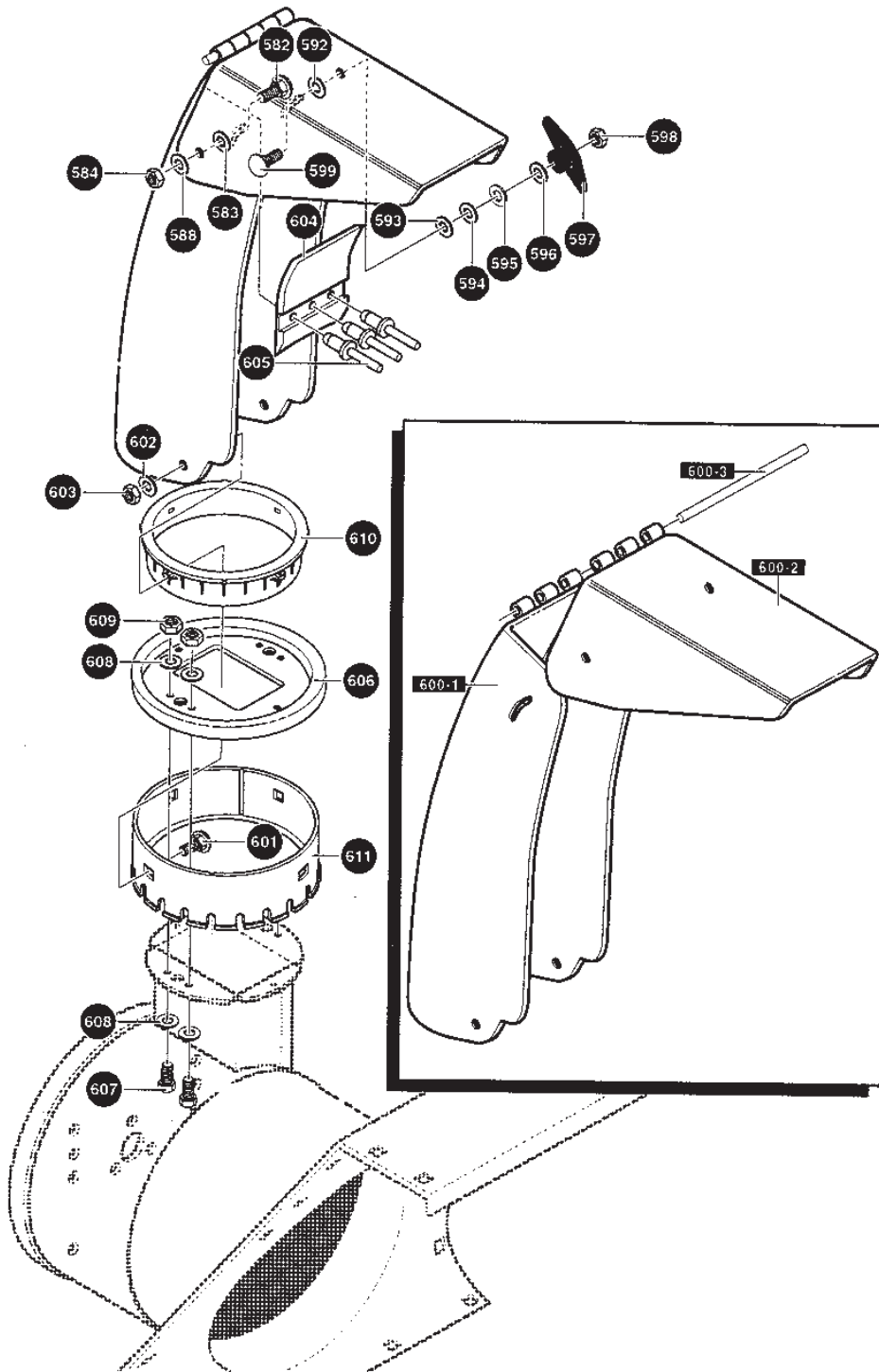
Utgåva Issue 45 - 2014		Snöskruv		Auger	
Pos. Fig.	Antal Quantity	Art nr Part No	Benämning	Description	Anmärkning Notes
480	1	1812-1329-01	Remskiva-Snöskruv	Auger Pulley	
481	2	1812-1119-01	Bult	Bolt	
482	1	1812-1167-01	Kil	Key	
485	1	1812-1397-01	Distans	Spacer	
490	1	1812-1250-01	Lagerhållare	Retainer Bearing	
491	1	1812-1383-01	Kullager	Ball Bearing	
493	3	9988-3619-16	Skruv	Screw	
499	3	9795-3631-02	Mutter	Nut	
500	1	1812-1459-01	Snöskruvhus	Housing	
502	2	1133-0433-01	Fästelement	Fastener Ratchet	
504	2	9988-3719-16	Skruv	Screw	
505	2	9683-0035-02	Bricka	Washer	
506	2	9743-3721-32	Mutter	Nut	
510	1	1812-1419-01	Skrapskär	Scraper Blade	
511	5	1812-1410-01	Vagnsbult	Carriage Bolt	
514	5	9743-3521-32	Mutter	Nut	
520	1	1812-1405-01	Snöskruv-vä	Auger-L.H.	
521	1	1812-1406-01	Snöskruv-hö	Auger-R.H.	
522	1	1812-9005-01	Brytbultsats	Shear Bolt Kit	
523	3	1812-0531-01	Distans	Spacer	
524	3	1812-0812-01	Mutter	Nut	
525	2	1812-0878-01	Lager	Bearing	
526	6	9743-3621-32	Mutter	Nut	
527	6	9988-3619-16	Skruv	Screw	
540	2	1812-0847-01	Släpsko	Height Adjustor Skid	
541	4	9899-3622-16	Skruv	Screw	
542	4	9699-0028-02	Bricka	Washer	
543	4	9683-0030-02	Bricka	Washer	
544	4	9795-3631-02	Mutter	Nut	



Utgåva Issue 45 - 2014		Snäckväxel		Gear Case	
Pos. Fig.	Antal Quantity	Art nr Part No	Benämning	Description	Anmärkning Notes
300	1	1812-0909-01	Snäckväxelhus-hö	Gear case-R.H.	
301	1	1812-0908-01	Snäckväxelhus-vä	Gear case-L.H.	
303	7	9988-3519-16	Skruv	Screw	
304	6	9727-3541-22	Mutter	Nut	
305	1	9795-3531-02	Mutter	Nut	
306	1	1812-0856-01	Skruv	Screw	
310	2	1812-0881-01	Tätningring	Oil Seal	
311	2	1812-1360-01	Bussning	Bushing	
312	2	1812-0857-01	Bricka	Thrust Washer	
313	1	1812-1402-01	Snöskruvaxel	Auger Shaft	
314	1	1812-1361-01	Packning	Gasket	
315	1	1812-0862-01	Snäckdrev	Worm Gear	
316	1	1812-1371-01	Woodruffkil	Woodruff Key	
320	1	1812-1359-01	Bussning	Bushing	
321	1	1812-1330-01	Ingående Axel	Input Shaft	
322	1	1812-1321-01	Distans	Thrust Collar	
323	1	1133-0395-01	Stift	Roll Pin	
324	2	1812-0857-01	Bricka	Thrust Washer	
325	1	1812-0285-01	Nållager	Needle Bearing	
326	1	1812-1360-01	Bussning	Bushing	
327	1	1812-0881-01	Tätningring	Oil Seal	
340	1	1812-1434-01	Fläkt	Impeller	
341	2	1133-0395-01	Stift	Roll Pin	



Utgåva Issue 45 - 2014		Inställningsvev Chute Crank			
Pos. Fig.	Antal Quantity	Art nr Part No	Benämning	Description	Anmärkning Notes
850	1	1812-1339-01	Inställningsvev	Crank	
854	1	1812-0318-01	Handtag	Handle	
854	1	1812-0318-01	Handtag	Handle	
855	2	9699-0035-02	Bricka	Washer	
856	1	1812-0396-01	Låsning	Retainer	
856	1	1812-1483-01	Låsning Mutter	Nut	
860	1	1812-0394-01	Ögglebult	Eyebolt	
861	1	1812-0203-01	Bussning	Bushing	
862	1	1812-1170-01	Hylsa-ögglebult	Boot Eye Bolt Boot-eye bolt	
863	2	9743-3721-32	Mutter	Nut	
864	1	9699-0035-02	Bricka	Washer	
865	1	1812-1172-01	Adapter	Adaptor Boot Boot adaptor	
866	1	9699-0035-02	Bricka	Washer	
867	1	9743-3721-32	Mutter	Nut	
870	1	1812-1334-01	Fäste-Snäckskruv	Chute Worm Bracket	
871	1	1812-1335-01	Snäckskruv	Chute Rotate Worm	
872	1	1812-1317-01	LedkMutter	Universal Housing	
873	1	1812-1318-01	Sprint	Clevis Pin	
874	1	1812-1316-01	Axel	Universal Pin	
875	1	9599-0033-00	Saxsprint	Split Pin	



Utgåva Issue 45 - 2014		Utkast		Chute	
Pos. Fig.	Antal Quantity	Art nr Part No	Benämning	Description	Anmärkning Notes
582	1	9899-3622-16	Skruv	Screw	
582	2	9899-3622-16	Skruv	Screw	
583	1	1812-1163-01	Plastbricka	Washer	
583	2	1812-1163-01	Plastbricka	Washer	
584	1	9743-3621-32	Mutter	Nut	
584	2	9743-3621-32	Mutter	Nut	
588	1	1812-0667-01	Plastbricka	Washer	
588	2	1812-0667-01	Plastbricka	Washer	
592	1	1812-1163-01	Plastbricka	Washer	
593	1	1812-0667-01	Plastbricka	Washer	
594	1	9699-0028-02	Bricka	Washer	
594	1	9699-0029-02	Bricka	Washer	
595	1	9683-0030-02	Bricka	Washer	
596	1	9699-0028-02	Bricka	Washer	
596	1	9699-0029-02	Bricka	Washer	
597	1	1133-0932-01	Låsrott	Wing Knob	
598	1	9795-3631-02	Mutter	Nut	
599	1	9899-3625-16	Skruv	Screw	
600	1	1812-0950-01	Gångjärnsaxel	Wire Chute Hinge	Pos 600-3
600	1	1812-1307-01	Utkastskärm	Chute Deflector	Pos 600-2
600	1	1812-1592-01	Utkastskärm	Chute Deflector	Pos 600-2
600	1	1812-1463-01	Utkaströr	Lower chute	Pos 600-1
600	1	1812-1599-01	Utkaströr	Chute, Lower	Pos 600-1
601	3	9899-3625-16	Skruv	Screw	
602	3	9699-0028-02	Bricka	Washer	
602	3	9699-0029-02	Bricka	Washer	
603	3	9743-3621-32	Mutter	Nut	
604	1	1812-1436-01	Utkastskydd	Chute Flap	
605	3	1812-1462-01	Popnit	Pop Rivet	
606	1	1812-1336-01	Utkastplatta	Chute Rotate Collar	
607	4	9988-3519-16	Skruv	Screw	
608	8	9699-0026-02	Bricka	Washer	
608	8	9699-0028-02	Bricka	Washer	
609	4	1812-0812-01	Mutter	Nut	
609	4	9743-3521-32	Mutter	Nut	
610	1	1812-1366-01	Utkastring-inre	Chute rot. ring-inner	
611	1	1812-1332-01	Utkastring-Yttre	Chute Rotate Ring-Outer	

code	pos.	q.ty	page									
1133-0395-01	323	1	p. 27	1812-0950-01	600	1	p. 31	1812-1367-01	770	1	p. 13	
1133-0395-01	341	2	p. 27	1812-1114-01	676	1	p. 23	1812-1371-01	316	1	p. 27	
1133-0433-01	502	2	p. 25	1812-1119-01	481	2	p. 25	1812-1383-01	223	2	p. 21	
1133-0762-01	69	1	p. 15	1812-1163-01	583	1	p. 31	1812-1383-01	491	1	p. 25	
1133-0932-01	597	1	p. 31	1812-1163-01	583	2	p. 31	1812-1386-01	17	2	p. 15	
1812-0203-01	861	1	p. 29	1812-1163-01	592	1	p. 31	1812-1387-01	19	2	p. 15	
1812-0248-01	741	2	p. 13	1812-1164-01	243	1	p. 21	1812-1388-01	18	2	p. 15	
1812-0254-01	744	1	p. 13	1812-1167-01	482	1	p. 25	1812-1392-01	754	2	p. 13	
1812-0283-01	67	1	p. 15	1812-1170-01	862	1	p. 29	1812-1397-01	485	1	p. 25	
1812-0285-01	325	1	p. 27	1812-1172-01	865	1	p. 29	1812-1398-01	755	1	p. 13	
1812-0305-01	112	1	p. 17	1812-1173-01	675	2	p. 23	1812-1402-01	313	1	p. 27	
1812-0305-01	148	1	p. 17	1812-1178-01	230	1	p. 21	1812-1405-01	520	1	p. 25	
1812-0318-01	854	1	p. 29	1812-1178-01	255	1	p. 21	1812-1406-01	521	1	p. 25	
1812-0318-01	854	1	p. 29	1812-1178-01	270	1	p. 21	1812-1407-01	80	1	p. 17	
1812-0328-01	191	2	p. 21	1812-1178-01	276	1	p. 21	1812-1408-01	107	1	p. 17	
1812-0329-01	133	1	p. 17	1812-1190-01	227	1	p. 21	1812-1409-01	106	1	p. 17	
1812-0329-01	145	1	p. 17	1812-1201-01	53	2	p. 15	1812-1410-01	511	5	p. 25	
1812-0364-01	193	1	p. 21	1812-1202-01	51	1	p. 15	1812-1411-01	109	1	p. 17	
1812-0385-01	88	6	p. 17	1812-1204-01	235	1	p. 21	1812-1412-01	771	2	p. 13	
1812-0385-01	231	2	p. 21	1812-1204-01	250	1	p. 21	1812-1415-01	16	1	p. 15	
1812-0385-01	256	2	p. 21	1812-1208-01	143	1	p. 17	1812-1419-01	510	1	p. 25	
1812-0385-01	271	2	p. 21	1812-1209-01	278	1	p. 21	1812-1420-01	790	1	p. 19	
1812-0385-01	277	2	p. 21	1812-1209-01	656	1	p. 23	1812-1425-01	211	1	p. 21	
1812-0394-01	860	1	p. 29	1812-1210-01	743	1	p. 13	1812-1429-01	104	1	p. 17	
1812-0396-01	856	1	p. 29	1812-1211-01	140	1	p. 17	1812-1434-01	340	1	p. 27	
1812-0402-01	221	1	p. 21	1812-1213-01	275	1	p. 21	1812-1436-01	604	1	p. 31	
1812-0407-01	58	2	p. 15	1812-1217-01	195	1	p. 21	1812-1444-01	800	1	p. 19	
1812-0407-01	671	2	p. 23	1812-1218-01	190	1	p. 21	1812-1459-01	500	1	p. 25	
1812-0408-01	679	1	p. 23	1812-1219-01	811	1	p. 19	1812-1462-01	605	3	p. 31	
1812-0450-01	216	1	p. 21	1812-1228-01	160	1	p. 17	1812-1463-01	600	1	p. 31	
1812-0513-01	734	2	p. 13	1812-1231-01	650	1	p. 23	1812-1466-01	108	1	p. 17	
1812-0531-01	523	3	p. 25	1812-1236-01	225	1	p. 21	1812-1468-01	100	1	p. 17	
1812-0531-01	772	2	p. 13	1812-1237-01	226	1	p. 21	1812-1471-01	103	1	p. 17	
1812-0533-01	31	1	p. 15	1812-1238-01	222	1	p. 21	1812-1483-01	856	1	p. 29	
1812-0533-01	41	1	p. 15	1812-1239-01	224	1	p. 21	1812-1592-01	600	1	p. 31	
1812-0567-01	678	2	p. 23	1812-1246-01	655	2	p. 23	1812-1599-01	600	1	p. 31	
1812-0667-01	588	1	p. 31	1812-1250-01	490	1	p. 25	1812-9002-01	246	1	p. 21	
1812-0667-01	588	2	p. 31	1812-1254-01	652	1	p. 23	1812-9005-01	522	1	p. 25	
1812-0667-01	593	1	p. 31	1812-1257-01	90	1	p. 17	1812-9016-01	57	1	p. 15	
1812-0812-01	198	1	p. 21	1812-1262-01	215	1	p. 21	1812-9019-01	63	1	p. 15	
1812-0812-01	524	3	p. 25	1812-1269-01	210	1	p. 21	6021A	193	2	p. 5	
1812-0812-01	609	4	p. 31	1812-1307-01	600	1	p. 31	6201	100	1	p. 5	
1812-0812-01	654	1	p. 23	1812-1308-01	796	1	p. 19	8345	231	1	p. 7	
1812-0812-01	654	1	p. 23	1812-1311-01	675	2	p. 23	9400-0225-00	196	1	p. 7	
1812-0812-01	677	1	p. 23	1812-1313-01	245	1	p. 21	9599-0033-00	875	1	p. 29	
1812-0812-01	677	1	p. 23	1812-1316-01	874	1	p. 29	9599-0073-02	192	2	p. 21	
1812-0812-01	737	4	p. 13	1812-1317-01	872	1	p. 29	9683-0025-02	228	1	p. 21	
1812-0812-01	745	2	p. 13	1812-1318-01	873	1	p. 29	9683-0030-02	13	4	p. 15	
1812-0812-01	792	2	p. 19	1812-1321-01	322	1	p. 27	9683-0030-02	33	1	p. 15	
1812-0812-01	802	2	p. 19	1812-1323-01	750	1	p. 13	9683-0030-02	43	1	p. 15	
1812-0847-01	540	2	p. 25	1812-1328-01	812	1	p. 19	9683-0030-02	232	2	p. 21	
1812-0856-01	306	1	p. 27	1812-1329-01	480	1	p. 25	9683-0030-02	257	2	p. 21	
1812-0857-01	312	2	p. 27	1812-1330-01	321	1	p. 27	9683-0030-02	543	4	p. 25	
1812-0857-01	324	2	p. 27	1812-1332-01	611	1	p. 31	9683-0030-02	595	1	p. 31	
1812-0862-01	315	1	p. 27	1812-1334-01	870	1	p. 29	9683-0030-02	726	4	p. 13	
1812-0878-01	525	2	p. 25	1812-1335-01	871	1	p. 29	9683-0030-02	752	4	p. 13	
1812-0879-01	720	1	p. 13	1812-1336-01	606	1	p. 31	9683-0035-02	68	1	p. 15	
1812-0881-01	310	2	p. 27	1812-1339-01	850	1	p. 29	9683-0035-02	505	2	p. 25	
1812-0881-01	327	1	p. 27	1812-1342-01	673	2	p. 23	9699-0026-02	162	2	p. 17	
1812-0908-01	301	1	p. 27	1812-1345-01	240	1	p. 21	9699-0026-02	608	8	p. 31	
1812-0909-01	300	1	p. 27	1812-1350-01	59	1	p. 15	9699-0028-02	542	4	p. 25	
1812-0932-01	730	1	p. 13	1812-1351-01	60	2	p. 15	9699-0028-02	594	1	p. 31	
1812-0933-01	731	1	p. 13	1812-1359-01	320	1	p. 27	9699-0028-02	596	1	p. 31	
1812-0934-01	733	1	p. 13	1812-1360-01	311	2	p. 27	9699-0028-02	602	3	p. 31	
1812-0941-01	728	2	p. 13	1812-1360-01	326	1	p. 27	9699-0028-02	608	8	p. 31	
1812-0946-01	735	2	p. 13	1812-1361-01	314	1	p. 27	9699-0028-02	725	4	p. 13	
				1812-1366-01	610	1	p. 31	9699-0029-02	594	1	p. 31	

code	pos.	q.ty	page									
9699-0029-02	596	1	p. 31	9988-3732-12	146	1	p. 17	35072	147	1	p. 5	
9699-0029-02	602	3	p. 31	20381	50	2	p. 3	35182	184	1	p. 5	
9699-0035-02	855	2	p. 29	26460	253	4	p. 7	35285	146	1	p. 5	
9699-0035-02	864	1	p. 29	26727	45	2	p. 3	35350	91	1	p. 5	
9699-0035-02	866	1	p. 29	26756	96	1	p. 5	35355	250	1	p. 7	
9699-0038-02	217	2	p. 21	27110	44	1	p. 9	35438	143	1	p. 5	
9699-0038-02	244	2	p. 21	27136A	32	1	p. 9	35440	35	1	p. 3	
9699-0062-02	142	1	p. 17	27234A	89	2	p. 5	35499	77	1	p. 3	
9727-3541-22	304	6	p. 27	27241	54	2	p. 3	35539	79	1	p. 3	
9743-3521-32	514	5	p. 25	27554	33	1	p. 9	35554	76	1	p. 3	
9743-3521-32	609	4	p. 31	27642	3	1	p. 3	35556	78	1	p. 3	
9743-3521-32	654	1	p. 23	27666	87	1	p. 5	35557	184	1	p. 5	
9743-3521-32	654	1	p. 23	27677A	57	1	p. 3	35584	249	1	p. 7	
9743-3521-32	677	1	p. 23	27897	59	1	p. 3	35656A	201	1	p. 7	
9743-3521-32	677	1	p. 23	28277	8	1	p. 3	35771	229	1	p. 7	
9743-3621-32	144	1	p. 17	28545	188	1	p. 5	35857	255	1	p. 7	
9743-3621-32	526	6	p. 25	28582	3	1	p. 3	35883	204	1	p. 7	
9743-3621-32	584	1	p. 31	28820	141	2	p. 5	36070	48	1	p. 3	
9743-3621-32	584	2	p. 31	29745	197	1	p. 7	36076	49	1	p. 3	
9743-3621-32	603	3	p. 31	29752	95	2	p. 5	36247	217	1	p. 7	
9743-3721-32	105	1	p. 17	29774	256	1	p. 7	36441	192	1	p. 5	
9743-3721-32	115	1	p. 17	30063	221	1	p. 7	36443	191	1	p. 5	
9743-3721-32	149	1	p. 17	30063	232	1	p. 7	36444	305	1	p. 7	
9743-3721-32	506	2	p. 25	30200	93	2	p. 5	36467A	270	1	p. 7	
9743-3721-32	813	1	p. 19	30200	186	1	p. 5	36469A	1	1	p. 3	
9743-3721-32	813	1	p. 19	30322	32	1	p. 3	36471	83	1	p. 3	
9743-3721-32	863	2	p. 29	30574A	72	1	p. 3	36552	20	1	p. 3	
9743-3721-32	867	1	p. 29	30588A	73	1	p. 3	36677	22	1	p. 3	
9795-3531-02	249	3	p. 21	30590A	70	1	p. 3	36874	146	1	p. 5	
9795-3531-02	305	1	p. 27	30591	71	1	p. 3	570682	202	1	p. 7	
9795-3631-02	499	3	p. 25	30705	254	1	p. 7	590535	12	1	p. 11	
9795-3631-02	544	4	p. 25	30968	5	1	p. 3	590574	13	1	p. 11	
9795-3631-02	598	1	p. 31	30969	6	1	p. 3	590574	276	1	p. 7	
9795-3631-02	727	4	p. 13	31334	9	1	p. 3	590616	6	2	p. 11	
9795-3631-02	753	4	p. 13	31335	11	1	p. 3	590617	7	2	p. 11	
9795-3731-02	813	1	p. 19	31342	23	1	p. 3	590645A	8	1	p. 11	
9795-3731-02	813	1	p. 19	31410	88	1	p. 5	590647	11	1	p. 11	
9795-3931-00	795	1	p. 19	31426	28	1	p. 3	590647A	11	1	p. 11	
9843-8219-16	757	2	p. 13	31510	10	1	p. 3	590707	301	1	p. 7	
9899-3622-16	541	4	p. 25	31672	85	2	p. 3	590740	3	1	p. 11	
9899-3622-16	582	1	p. 31	31673	86	2	p. 3	590741	14	1	p. 11	
9899-3622-16	582	2	p. 31	32180C	203	1	p. 7	590742	301	1	p. 7	
9899-3625-16	599	1	p. 31	32600	7	1	p. 3	590760	14	1	p. 11	
9899-3625-16	601	3	p. 31	32610A	53	2	p. 3	610118	163	1	p. 5	
9987-5125-16	34	1	p. 15	32644A	84	1	p. 3	610961	181	1	p. 5	
9987-5125-16	44	1	p. 15	32654	52	1	p. 3	610973	25	1	p. 3	
9988-3516-16	91	4	p. 17	32698	102	1	p. 5	610973	145	1	p. 5	
9988-3516-16	161	2	p. 17	32875	51	1	p. 3	611199	165	1	p. 5	
9988-3516-16	196	1	p. 21	32875A	51	1	p. 3	630735	15	1	p. 9	
9988-3516-16	247	3	p. 21	33158	55	1	p. 3	630748	47	1	p. 9	
9988-3519-16	229	1	p. 21	33333	150	1	p. 5	630766	18	1	p. 9	
9988-3519-16	303	7	p. 27	33344	216	1	p. 7	631021	30	1	p. 9	
9988-3519-16	607	4	p. 31	33670A	228	1	p. 7	631022	31	1	p. 9	
9988-3519-16	791	2	p. 19	33673A	98	1	p. 5	631024	27	1	p. 9	
9988-3519-16	801	2	p. 19	33691	97	1	p. 5	631027	48	1	p. 9	
9988-3525-16	736	4	p. 13	34080	160	1	p. 5	631028	29	1	p. 9	
9988-3557-12	653	1	p. 23	34126	187	1	p. 5	631615	1	1	p. 9	
9988-3619-16	141	1	p. 17	34146	90	1	p. 5	631767	2	1	p. 9	
9988-3619-16	493	3	p. 25	34212	185	1	p. 5	631807	16	1	p. 9	
9988-3619-16	527	6	p. 25	34443A	162	1	p. 5	631890	14	1	p. 9	
9988-3625-16	751	4	p. 13	34443B	162	1	p. 5	631951	25	1	p. 9	
9988-3638-12	12	4	p. 15	34582	142	1	p. 5	632019	28	1	p. 9	
9988-3651-12	756	2	p. 13	34583	140	1	p. 5	632107A	300	1	p. 7	
9988-3670-12	724	2	p. 13	34583A	140	1	p. 5	632108	10	1	p. 9	
9988-3719-16	504	2	p. 25	34674C	58	1	p. 3	632547	37	2	p. 9	
9988-3732-12	110	1	p. 17	34740	46	1	p. 3	632735	36	1	p. 9	
				35062	144	1	p. 5	632745	36	1	p. 9	

code	pos.	q.ty	page
640018	20	1	p. 9
640053	20	1	p. 9
640070	6	1	p. 9
640084	300	1	p. 7
640085	40	1	p. 9
640166	40	1	p. 9
650128	198	1	p. 7
650139	31	1	p. 3
650257	148	2	p. 5
650327	230	2	p. 7
650488	75	7	p. 3
650506	7	2	p. 9
650548	12	1	p. 3
650549	24	1	p. 3
650664	101	2	p. 5
650665	251	2	p. 7
650675	220	2	p. 7
650691	194	1	p. 5
650694A	218	5	p. 7
650735	149	1	p. 5
650737	211	2	p. 7
650760	189	1	p. 5
650783	93	2	p. 5
650802	21	2	p. 3
650815	182	1	p. 5
650816	183	1	p. 5
650818	195	1	p. 7
650870	99	1	p. 5
650872	161	2	p. 5
650926	205	1	p. 7
650926	274	2	p. 7
651007	164	2	p. 5
651018	12	1	p. 3
651025	17	1	p. 9