



Reservdelskatalog Parts Catalogue

320 SNOW THROWER

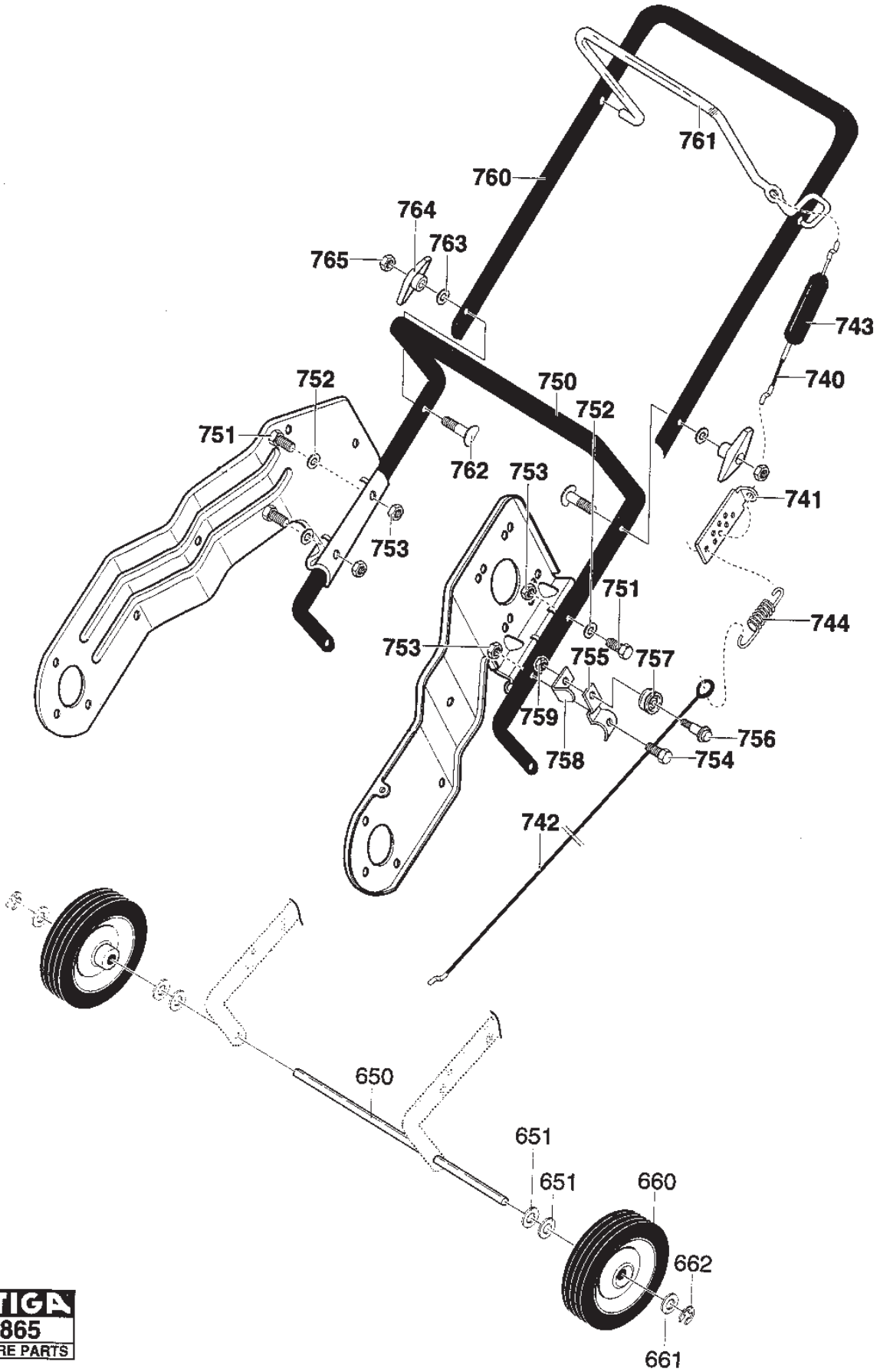
18-1211-18 - Season 1997

- Use GLOBAL GARDEN PRODUCT Genuine Spare Parts specified in the parts list for repair and/or replacement.
 - The contents described in the parts list may change due to improvement.
 - The drawings of the spare parts are only indicative and might not represent the part in question exactly.
 - The indications "right" - "left" - "front" - "rear" refer to the position of the operator when using the machine.
- When placing orders of parts for repair and/or replacement, make sure that the illustrated parts list is the one applying to the machine's year of manufacture, as shown on the identification plate attached to the machine.

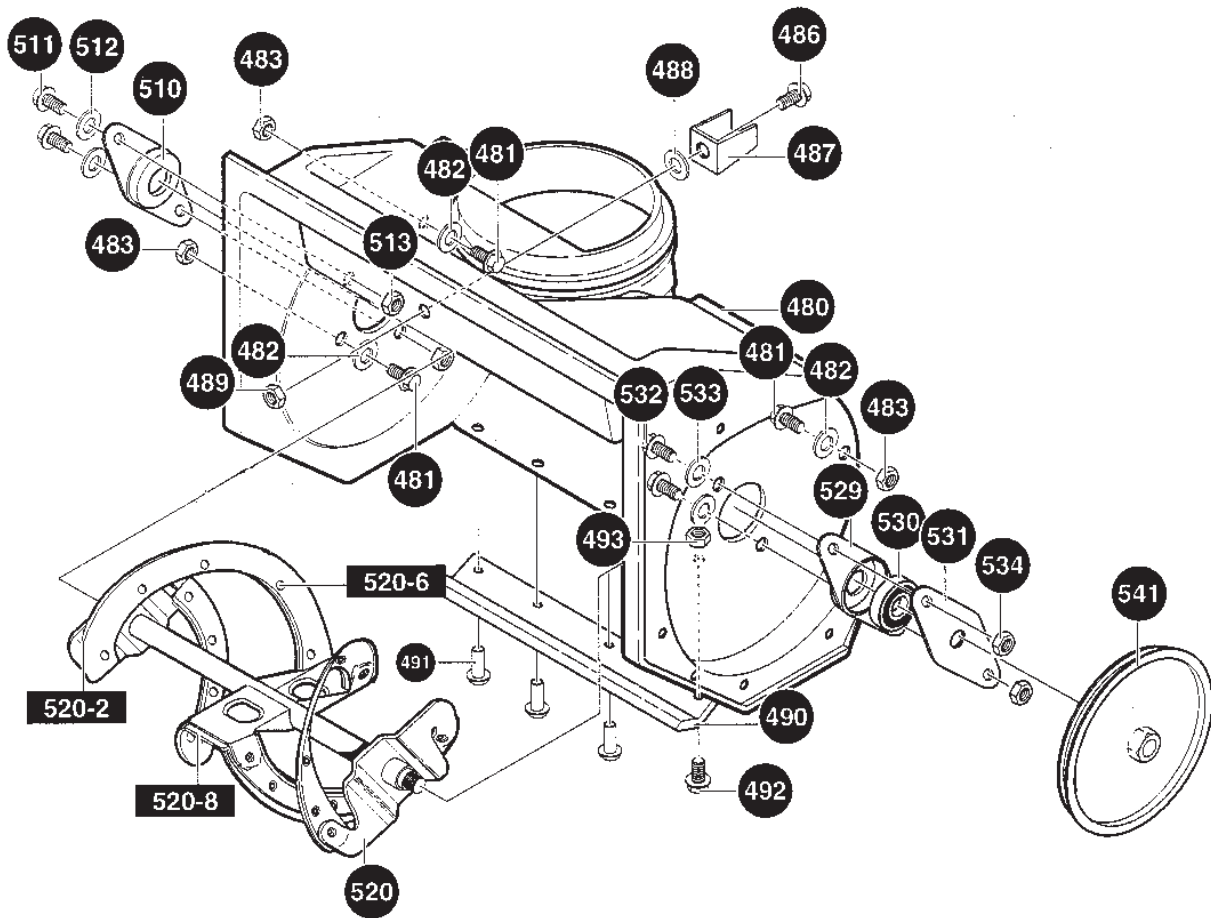
© Copyright 2014 Global Garden Products

All rights reserved. No part of this material may be reproduced or transmitted, in any form or by any means, electronic or mechanical, including photocopying, recording or by any information storage and retrieval system, without permission in writing from GLOBAL GARDEN PRODUCTS.

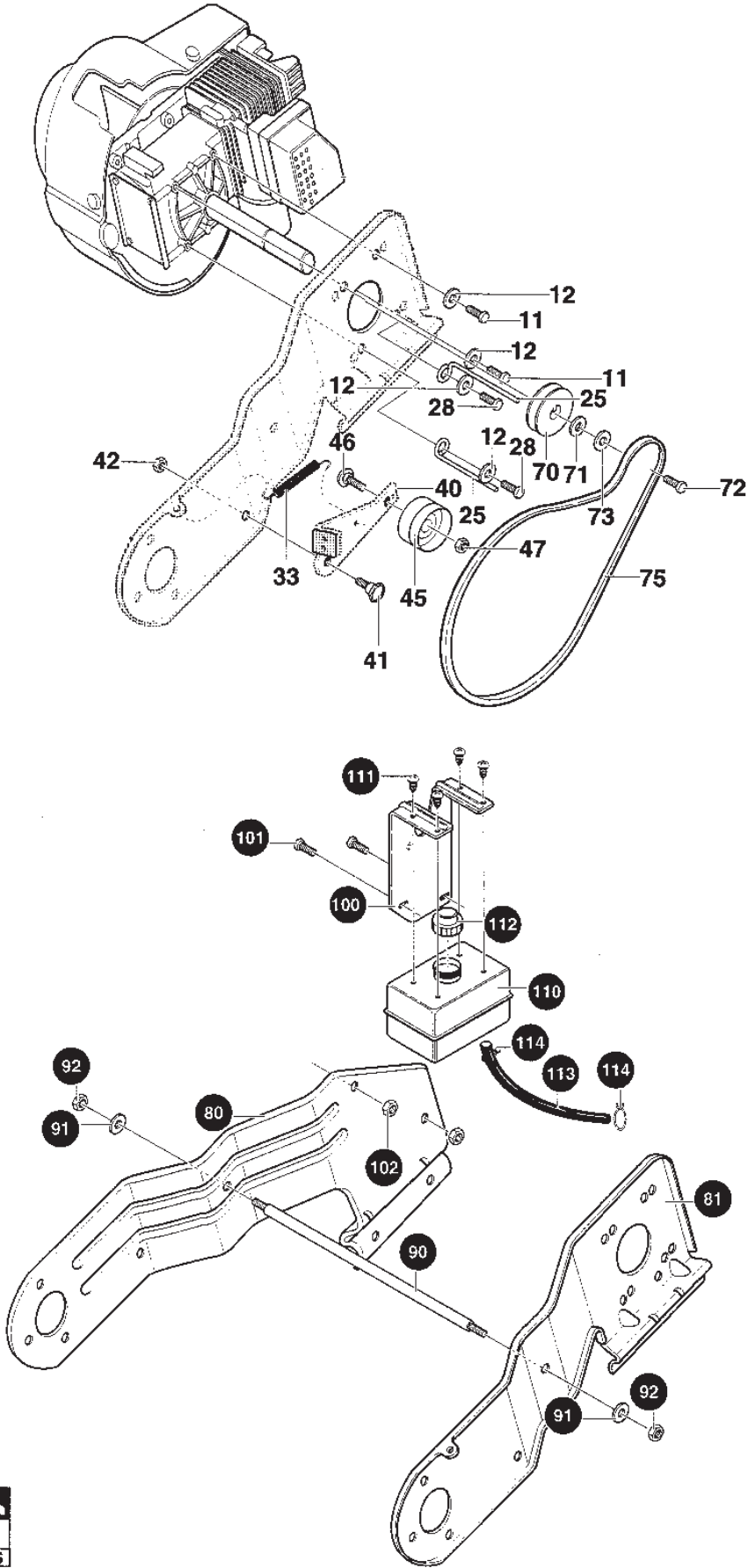
www.stiga.com



Utgåva Issue 45 - 2014		Styre Stödhjul		Handle Support Wheels	
Pos. Fig.	Antal Quantity	Art nr Part No	Benämning	Description	Anmärkning Notes
650	1	1133-0958-01	Hjulaxel	Wheel Axle	
651	4	9699-0030-02	Bricka	Washer	
660	2	1812-1455-01	Hjul	Wheel	
661	2	9699-0030-02	Bricka	Washer	
662	2	1133-1021-01	Låsring	Retaining Ring	
740	1	1812-1457-01	Reglagewire-övre	Control Cable	
741	1	1133-0977-01	Wirefäste	Cable Adjust Bracket	
742	1	1812-1456-01	Reglagewire-nedre	Control Cable	
743	1	1133-0968-01	Wirehylsa	Clutch Spring Boot	
744	1	1133-0982-01	Fjäder	Spring	
750	1	1133-0984-01	Styre underdel	Lower Handle	
751	3	9988-3532-12	Skruv	Screw	
752	3	9699-0026-02	Bricka	Washer	
753	4	1812-0812-01	Mutter	Nut	
754	1	9988-3538-12	Skruv	Screw	
755	1	1812-1458-01	Fäste-Wirerulle	Bracket-Cable Pulley	
756	1	1133-0262-01	Ansatsbult	Shoulder Bolt	
757	1	1133-0059-01	Linhjul	Pulley	
758	1	1133-0004-01	Fästvinkel	Bracket,Retainer	
759	1	1812-0812-01	Mutter	Nut	
760	1	1133-1009-01	Handtag, övre	Upper Handle	
761	1	1133-0972-01	Inkopplingshandtag	Control Bail	
762	2	1133-1017-01	Bult	Bolt	
763	2	1133-0933-01	Bricka	Formed Washer	
764	2	1133-0932-01	Lås ratt	Wing Knob	
765	2	9795-3631-02	Mutter	Nut	

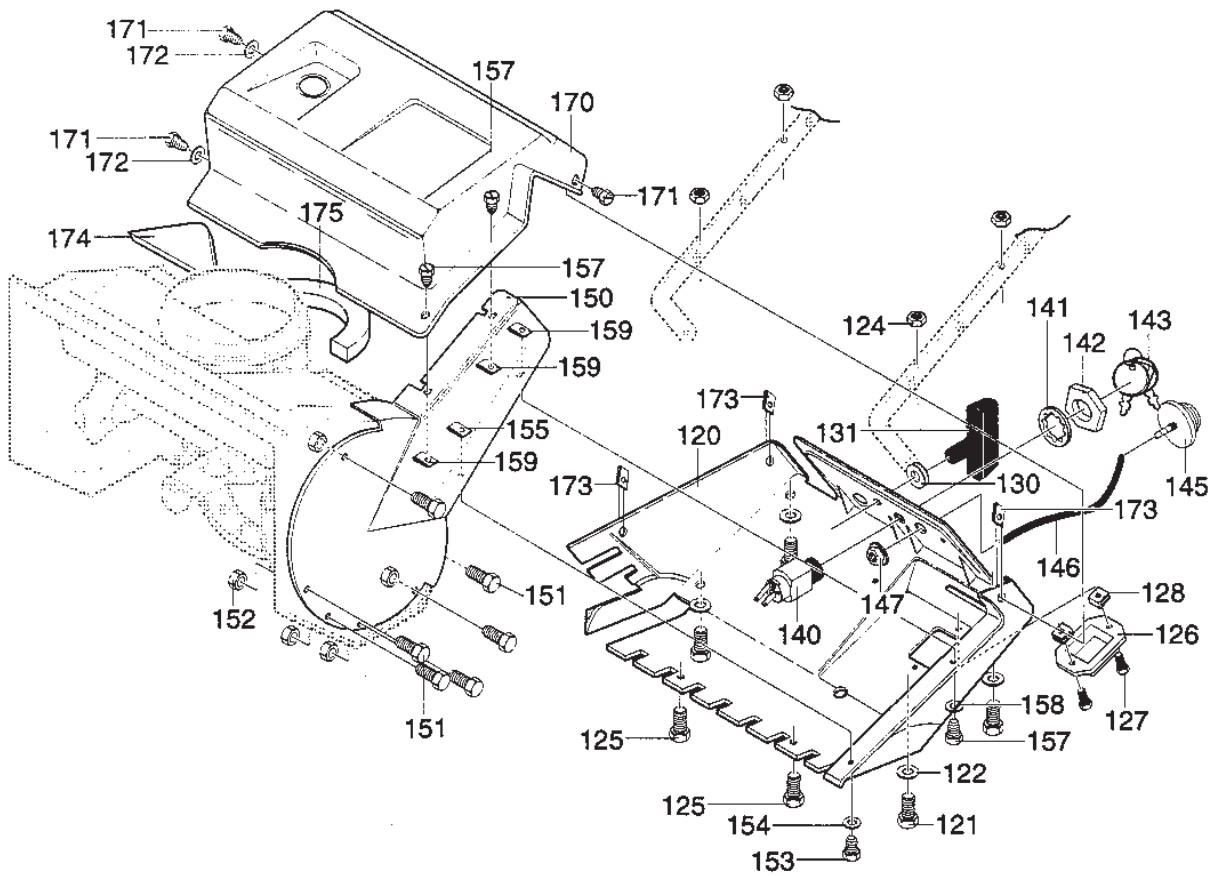


Utgåva Issue 45 - 2014		Snöskruv		Auger	
Pos. Fig.	Antal Quantity	Art nr Part No	Benämning	Description	Anmärkning Notes
480	1	1133-0994-01	Snöskruvhus	Rect Housing	
481	4	9988-3519-16	Skruv	Screw	
482	4	9699-0026-02	Bricka	Washer	
483	4	1812-0812-01	Mutter	Nut	
486	1	9988-3516-16	Skruv	Screw	
487	1	1133-0993-01	Vridstopp	Stop Bracket	
488	1	9699-0078-02	Bricka	Washer	
489	1	1812-0812-01	Mutter	Nut	
490	1	1133-0999-01	Skrapskär	Scraper Blade	
491	3	1133-1022-01	Nit	Rivet	
492	1	9988-3519-16	Skruv	Screw	
493	1	9727-3541-22	Mutter	Nut	
510	1	1133-1019-01	Flänslager	Flange Bearing	
511	2	9988-3525-16	Skruv	Screw	
512	2	9699-0026-02	Bricka	Washer	
513	2	9727-3541-22	Mutter	Nut	
520	2	1133-0960-01	Centrumskär	Centre Blade	Pos 520-8
520	2	1133-0960-01	Centrumskär	Centre Blade	Pos 520-8
520	20	1133-0940-01	Nit	Rivet	Pos 520-6
520	20	1133-0940-01	Nit	Rivet	Pos 520-6
520	4	1133-0964-01	Snöskruvskär	Auger Blade	Pos 520-2
520	4	1133-0964-01	Snöskruvskär	Auger Blade	Pos 520-2
520	1	1133-0966-01	Snöskruv kpl	Auger	
529	1	1133-1027-01	Lagerhållare	Retainer-Bearing	
530	1	1812-1383-01	Kullager	Ball Bearing	
531	1	1133-1000-01	Lagerhållare	Bearing Retainer	
532	2	9988-3516-16	Skruv	Screw	
533	2	9699-0026-02	Bricka	Washer	
534	2	1812-0812-01	Mutter	Nut	
541	1	1812-1400-01	Remskiva	Pulley	

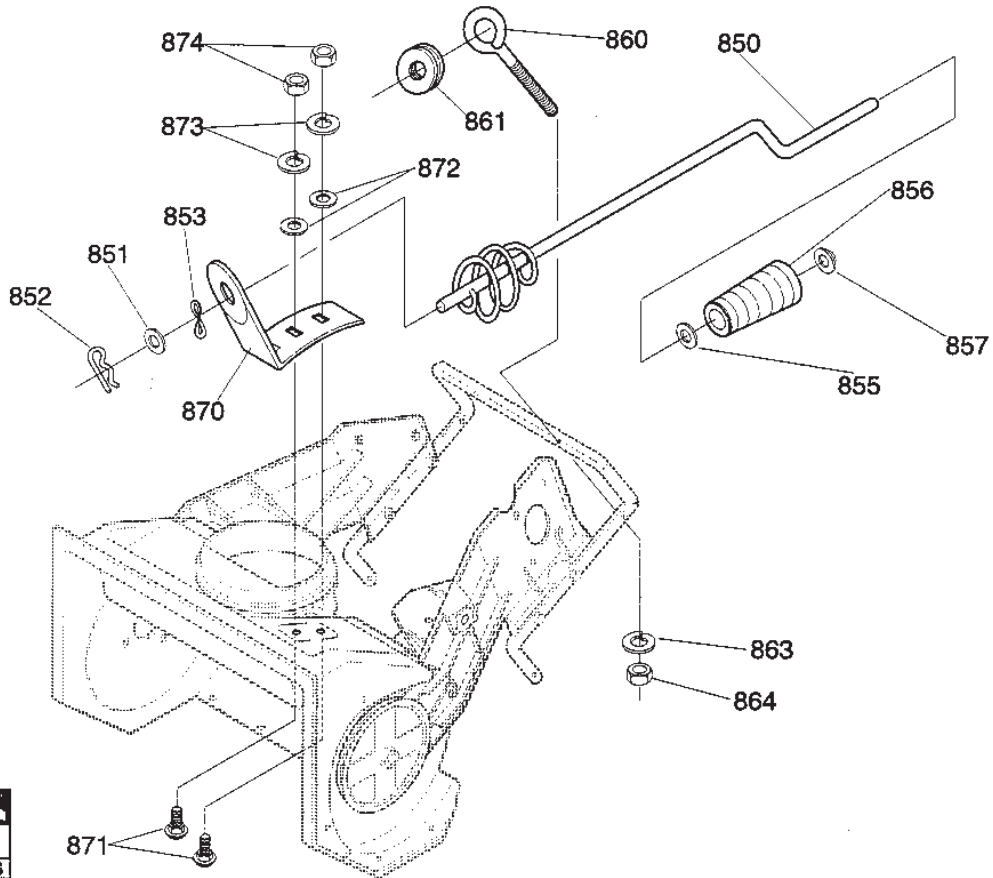
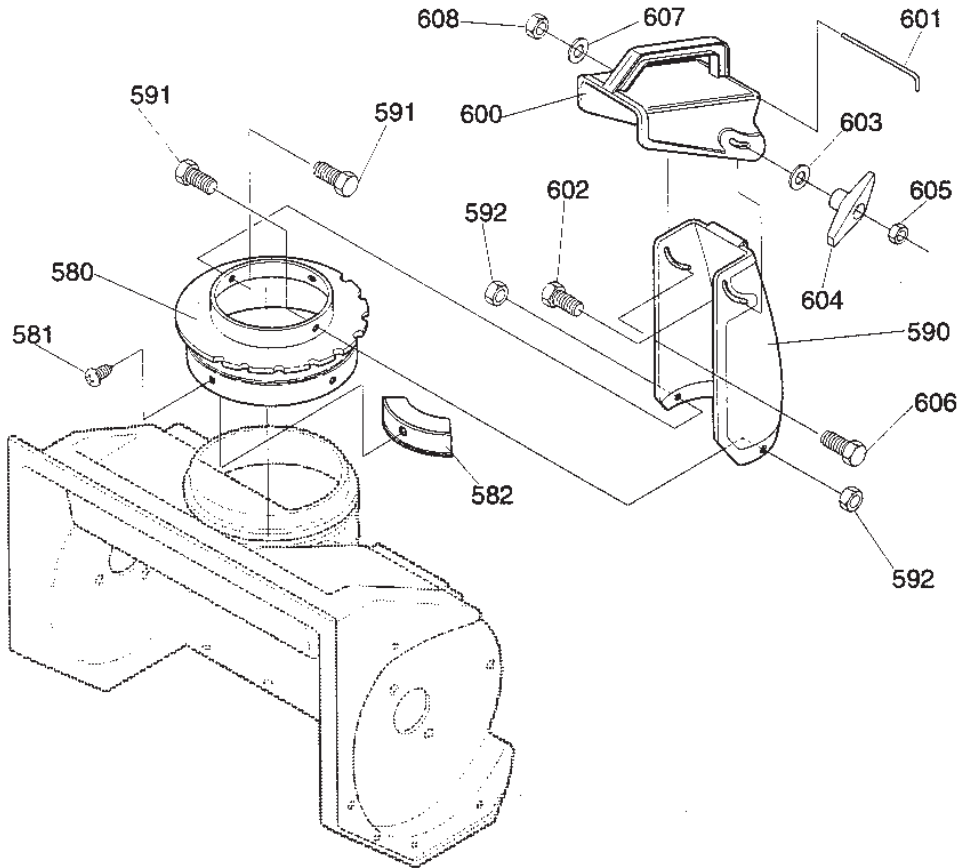


STIGA
867
SPARE PARTS

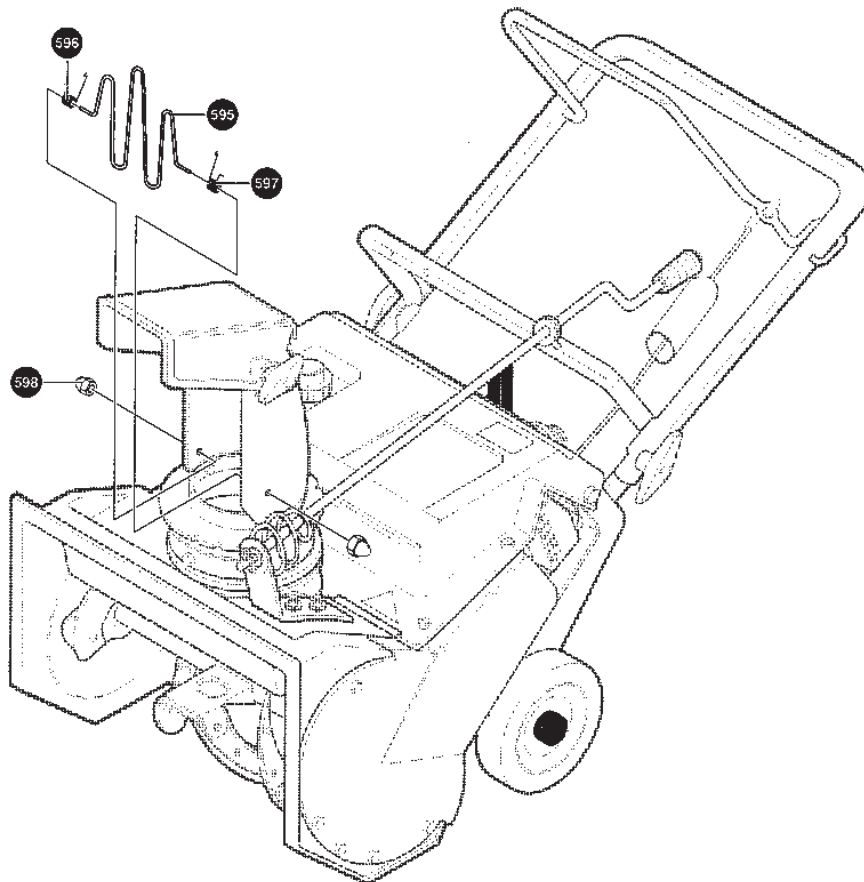
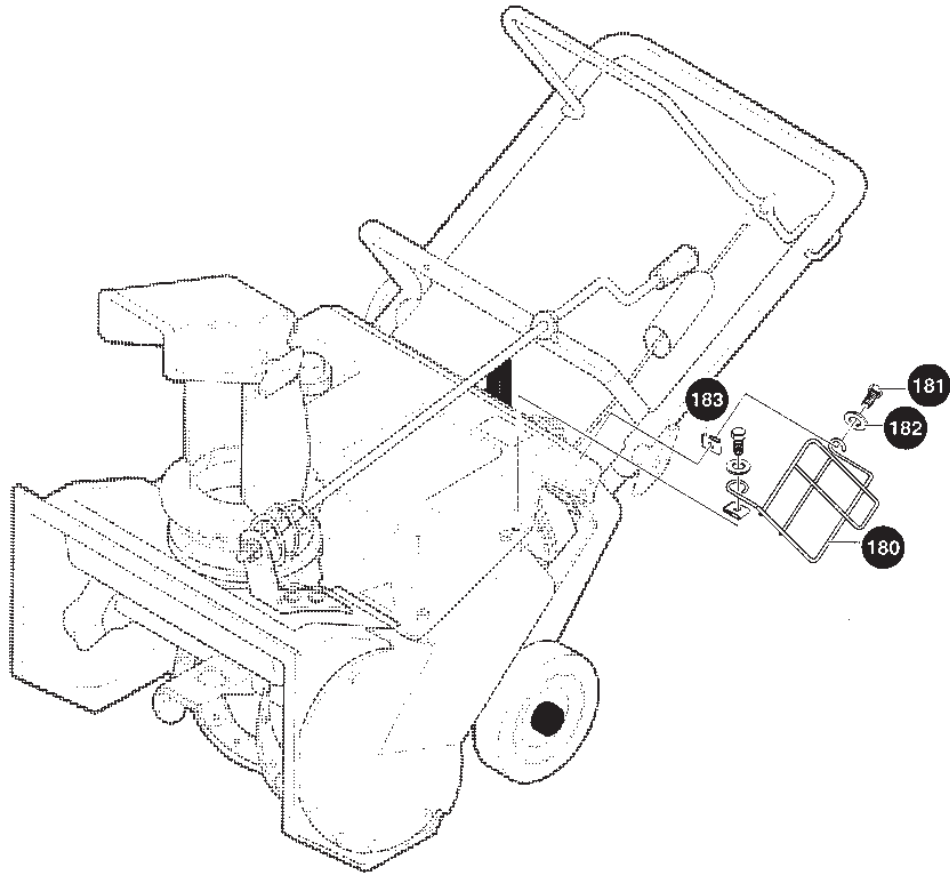
Utgåva Issue 45 - 2014		Remtransmission Ram		Belt Transmission Frame	
Pos. Fig.	Antal Quantity	Art nr Part No	Benämning	Description	Anmärkning Notes
11	2	9988-3619-16	Skruv	Screw	
12	4	9683-0030-02	Bricka	Washer	
25	2	1133-0976-01	Remstyrning	Belt Guide	
28	2	9988-3625-16	Skruv	Screw	
33	1	1812-1401-01	Fjäder	Spring	
40	1	1812-1461-01	Spännarm	Idler Arm	
41	1	9988-3613-16	Skruv	Screw	
42	1	9743-3621-32	Mutter	Nut	
45	1	1133-0936-01	Spännrulle	Idler Pulley	
46	1	1133-0084-01	Vagnsbult	Carr.Bolt	
47	1	9743-3721-32	Mutter	Nut	
70	1	1812-1399-01	Motorremskiva	Engine Pulley	
71	1	9699-0062-02	Bricka	Washer	
72	1	9987-5119-16	Skruv	Screw	
73	1	9683-0030-02	Bricka	Washer	
75	1	1812-1460-01	Utg Ers M 1812-9025-01	Use 1812-9025-01	
80	1	1812-1438-01	Ramhalva-hö	Side Frame-R.H.	
81	1	1812-1437-01	Ramhalva-vä	Side Frame-L.H.	
90	1	1812-1431-01	Stödstag	Support Rod	
91	2	9683-0035-02	Bricka	Washer	
92	2	9743-3721-32	Mutter	Nut	
100	1	1133-0941-01	Tankfäste	Fuel Tank Bracket	
101	2	9988-3519-16	Skruv	Screw	
102	2	1812-0812-01	Mutter	Nut	
110	1	1133-0954-01	Bränsletank	Fuel Tank	
111	4	1133-0939-01	Skruv	Screw	
112	1	1812-1474-01	Tanklock	Gas Tank Cap	
113	1	1133-0992-01	Bränsleslang	Fuel Line Tubing	
114	2	1133-0070-01	Slangklämma	Clamp,Fuel Line	



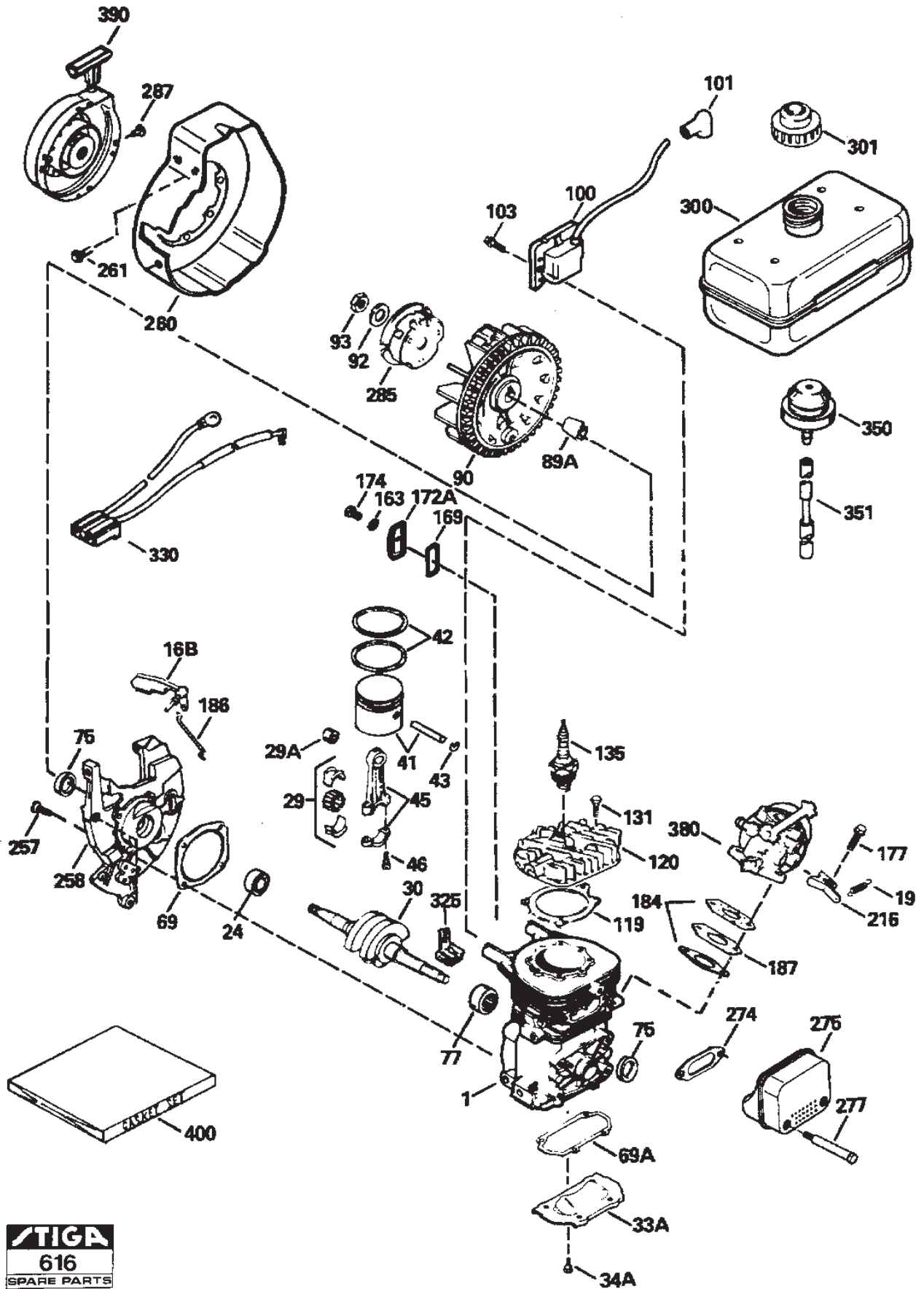
Utgåva Issue 45 - 2014		Kåpor Covers			
Pos. Fig.	Antal Quantity	Art nr Part No	Benämning	Description	Anmärkning Notes
120	1	1812-1384-01	Kåpa-nedre	Bottom Cover	
121	4	9988-3532-12	Skruv	Screw	
122	4	9699-0026-02	Bricka	Washer	
124	4	1812-0812-01	Mutter	Nut	
125	2	1133-0986-01	Skruv	Screw	
126	1	1812-1396-01	Förgasarkåpa	Carburettor Cover	
127	2	1133-0955-01	Skruv	Screw	
128	2	1133-1026-01	Mutter	Nut	
130	1	1133-0962-01	Linhylsa	Grommet & Rope Guide Wash	
131	1	1133-0995-01	Starthandtag	Starter Grip	
140	1	1133-0956-01	Tändningslås	Ignition Switch	
141	1	1134-2853-01	Bricka	Washer	
142	1	1134-2852-01	Mutter	Nut	
143	1	1134-2848-01	Tändningsnyckel	Ignition Key	
145	1	1133-0949-01	Primernippel	Primer	
146	1	1133-0930-01	Primerslang	Primer Hose	
147	1	9795-3531-02	Mutter	Nut	
150	1	1133-0957-01	Remskydd	Belt Cover	
151	6	1812-0959-01	Bult	Bolt	
152	6	1812-0630-01	Mutter	Nut	
153	1	9988-3513-16	Skruv	Screw	
154	1	9699-0026-02	Bricka	Washer	
155	1	1133-0942-01	Mutter	Nut	
157	3	1133-0955-01	Skruv	Screw	
158	1	9699-0026-02	Bricka	Washer	
159	3	1133-1026-01	Mutter	Nut	
170	1	1133-1003-01	Motorhuv-Övre	Top Cover	
171	3	1133-0955-01	Skruv	Screw	
172	2	9699-0026-02	Bricka	Washer	
173	3	1133-1026-01	Mutter	Nut	
174	1	1133-0952-01	Tätning	Housing Seal Strip	
175	1	1133-0953-01	Tätning	Chute Seal Strip	



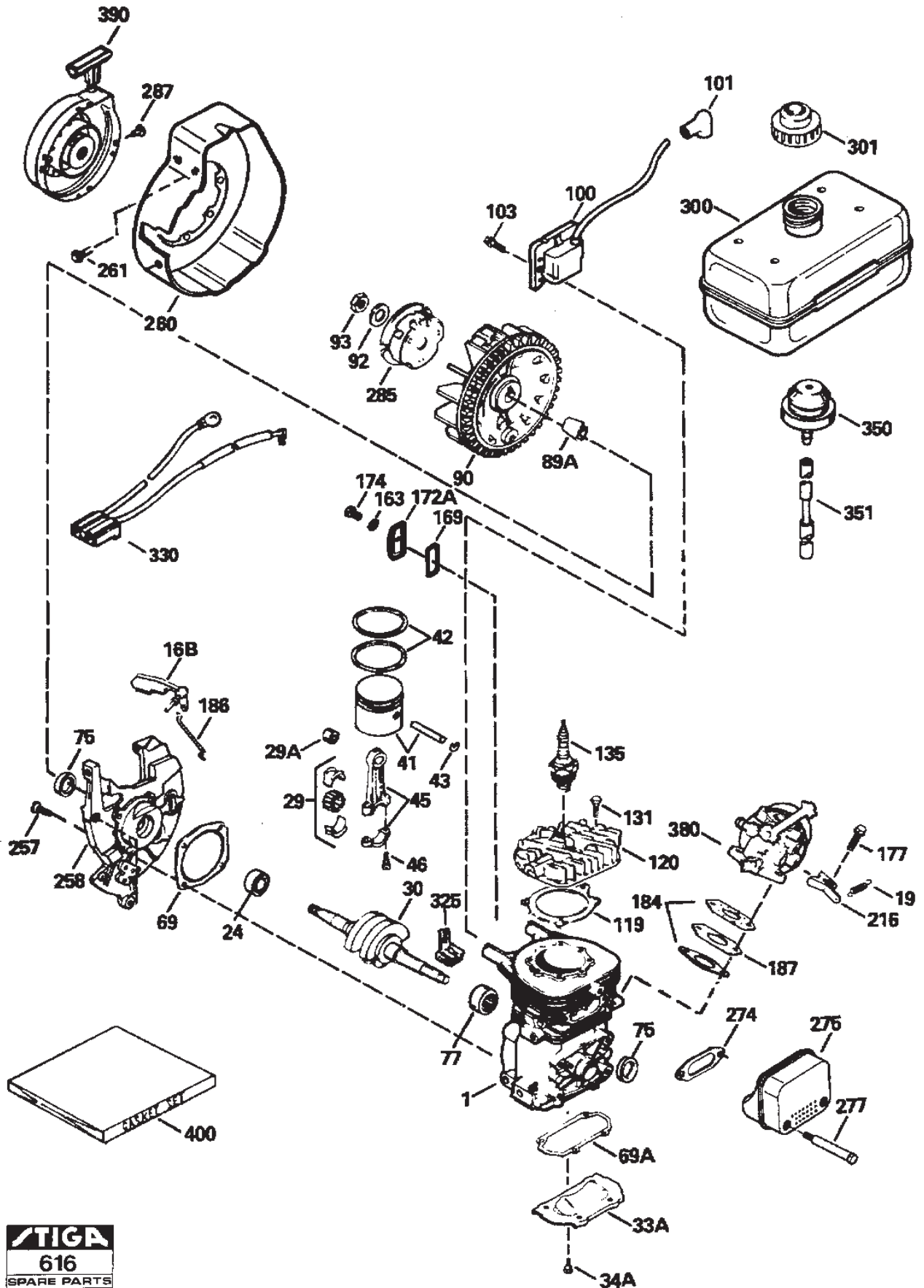
Utgåva Issue 45 - 2014		Utkast Inställningsvev		Discharge Chute Chute Rod	
Pos. Fig.	Antal Quantity	Art nr Part No	Benämning	Description	Anmärkning Notes
580	1	1133-0987-01	Utkastring	Chute Ring	
581	4	1133-1014-01	Skruv	Screw	
582	4	1133-1018-01	Utkastledplåt	Chute Guide	
590	1	1133-1004-01	Utkaströr	Lower Chute	
591	2	9988-3513-16	Skruv	Screw	
592	2	9727-3541-22	Mutter	Nut	
600	1	1133-0967-01	Utkastskärm	Upper Chute	
601	1	1133-0969-01	Gångjärnsaxel	Hinge Wire	
602	1	9899-3632-12	Skruv	Screw	
603	1	9699-0028-02	Bricka	Washer	
604	1	1133-0932-01	Låsrott	Wing Knob	
605	1	9795-3631-02	Mutter	Nut	
606	1	1133-1023-01	Skruv	Screw	
607	1	9699-0028-02	Bricka	Washer	
608	1	9743-3621-32	Mutter	Nut	
850	1	1133-0989-01	Inställningsvev	Upper Chute Rod	
851	1	9699-0035-02	Bricka	Washer	
852	1	9599-0054-02	SaxSprint Saxsprint	Split Pin	
853	1	1133-0973-01	Kupad fjäderbricka	Washer	
855	1	9699-0035-02	Bricka	Washer	
856	1	1133-0959-01	Handtag	Knob	
857	1	1812-0396-01	Låsning	Retainer	
860	1	1812-0394-01	Öglebult	Eyebolt	
861	1	1812-0203-01	Bussning	Bushing	
863	1	9683-0035-02	Bricka	Washer	
864	1	9743-3721-32	Mutter	Nut	
870	1	1133-0975-01	Vevfäste	Chute Rotation Bracket	
871	2	9899-3622-16	Skruv	Screw	
872	2	9699-0028-02	Bricka	Washer	
873	2	9683-0030-02	Bricka	Washer	
874	2	9795-3631-02	Mutter	Nut	



Utgåva Issue 45 - 2014		Skydd Guards			
Pos. Fig.	Antal Quantity	Art nr Part No	Benämning	Description	Anmärkning Notes
180	1	1133-0961-01	Ljuddämparskydd	Muffler Guard	
181	2	9988-3516-16	Skruv	Screw	
182	2	9699-0026-02	Bricka	Washer	
183	2	1133-0942-01	Mutter	Nut	
595	1	1133-0970-01	Utkastskydd	Lower Wire Chute Guide	
596	1	1133-0944-01	Fjäder	Torsion Chute Spring	
597	1	1133-0945-01	Fjäder	Torsion Chute Spring	
598	2	1133-0937-01	Hattlåsning	Nut	

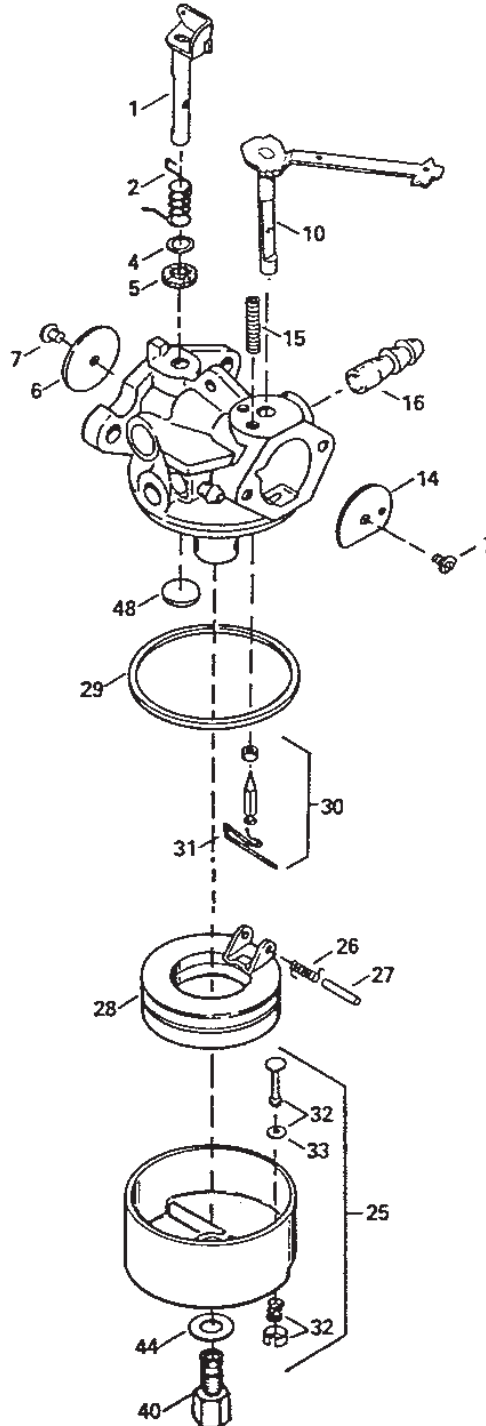


Utgåva Issue 45 - 2014		Tecumseh H600		Tecumseh H600	
Pos. Fig.	Antal Quantity	Art nr Part No	Benämning	Description	Anmärkning Notes
1	1	710513	Short-block	Short-block	/16 88S/
16	1	490291A	Air vane	Air vane	/16 88S/
19	1	570707	Fjäder	Spring	/16 88S/
24	1	530110	Kullager	Ball Bearing	/16 88S/
29	1	530104A	Cartridge bearing	Cartridge bearing	/16 88S/
29	1	530150	Nållager	Needle bearing	/16 88S/
30	1	290607	Crankshaft	Crankshaft	/16 88S/
33	1	570644	Cover plate	Cover plate	/16 88S/
34	4	650579	Skruv	Screw	
41	1	310283A	Kolvsprint	Piston Pin	Inkl.pos. 43
42	2	310190	Ring set	Ring set	
43	2	310167	Retaining ring	Retaining ring	
45	1	310235B	Connecting Rod	Connecting Rod	Inkl.pos. 29,29A,46
46	2	650633	Vevstaxsbult	Connecting rod bolt	
69	1	510323A	Packning	Cover plate gasket	/16 88S/
69	1	510292A	Cylinder cover gasket	Cylinder cover gasket	/16 88S/
75	2	510319	Oil seal	Oil seal	
77	1	530105	Cartridge bearing	Cartridge bearing	/16 88S/
89	1	611032	Adapter	Adapter sleeve	/16 88S/
90	1	611066	Flywheel	Flywheel	/16 88S/
92	1	650815	Bricka	Washer	/16 88S/
93	1	650390	Låsmutter	Nut	/16 88S/
100	1	34443A	Solid state ignition	Solid state ignition	Inkl.pos. 101
101	1	610118	Spark plug cover	Spark plug cover	/16 88S/
103	2	650814	Skruv	Screw	
119	1	510274A	Topplockspackning	Cylinder head gasket	/16 88S/
120	1	250240B	Topplock	Cylinder Head	/16 88S/
131	5	650477	Skruv	Screw	
135	1	611049	Tändstift	Spark plug	Champion CJ8Y/16 88S/
163	1	650838	Bricka	Washer	/16 88S/
169	1	510325A	Packning	Gasket	/16 88S/
172	1	570708	Compr.release cover	Compr.release cover	/16 88S/
174	1	650579	Skruv	Screw	/16 88S/
177	2	650959	Skruv	Screw	
184	2	510326A	Carburettor gasket	Carburettor gasket	
186	1	490322	Governor link	Governor link	/16 88S/
187	1	570438A	Distans	Spacer	/16 88S/
216	1	570645	Justerarm	Lever	/16 88S/
257	4	650911	Skruv	Screw	
258	1	350422	Blower housing base	Blower housing base	Inkl.pos. 75
260	1	350437	Blower housing	Blower housing	/16 88S/
261	4	650737	Skruv	Screw	
274	1	510207A	Avgaspackning	Exhaust gasket	/16 88S/
275	1	390330	Ljuddämpare	Muffler	Inkl.pos. 274,277
277	2	650869	Skruv	Screw	
285	1	590551	Starter cup	Starter cup	/16 88S/
287	3	650926	Skruv	Screw	
300	1	32660A	Fuel tank	Fuel tank	/16 88S/
301	1	410240	Fuel cap	Fuel cap	/16 88S/



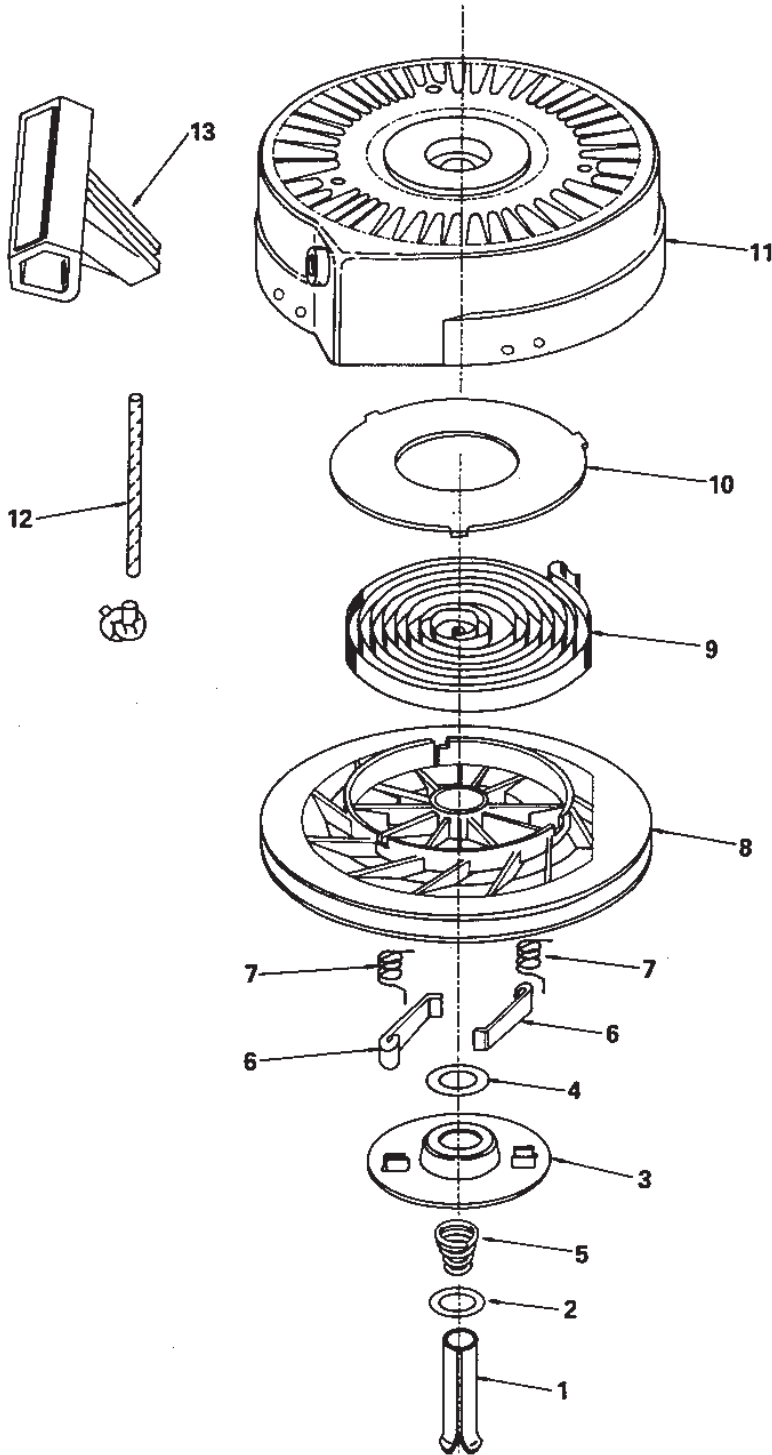
Utgåva Issue 45 - 2014		Tecumseh H600		Tecumseh H600	
Pos. Fig.	Antal Quantity	Art nr Part No	Benämning	Description	Anmärkning Notes
325	1	29443	Wire clip	Wire clip	/16 88S/
330	1	611164	Kabelhärva	Wiring harness	/16 88S/
350	1	570629A	Primer	Primer	/16 88S/
351	1	32180C	Primerslang	Primer line	/16 88S/
380	1	632560A	Förgasare kpl	Carburettor Assy	/16 88S/
390	1	590652	Start kpl	Rewind starter	/16 88S/
400	1	510324B	Packningssats	Gasket set	/16 88S/

632560A



Utgåva Issue 45 - 2014		Tecumseh H600 Förgasare		Tecumseh H600 Carburettor	
Pos. Fig.	Antal Quantity	Art nr Part No	Benämning	Description	Anmärkning Notes
0	1	632560A	Förgasare kpl	Carburettor Assy	/632 560A/
1	1	632166	Spjällsaxeln	Throttle Shaft	/632 560A/
2	1	632169	Fjäder	Spring	/632 560A/
4	1	631184	Bricka	Washer	/632 560A/
5	1	631183	Tätning	Dust seal	/632 560A/
6	1	631621	Gasspjäll	Throttle Shutter	/632 560A/
7	2	650506	Skruv	Screw	
10	1	31841A	Choke shaft	Choke shaft	/632 560A/
14	1	631815	Choke shutter	Choke shutter	/632 560A/
15	1	630735	Fjäder	Spring	/632 560A/
16	1	632164	Nippel	Fuel fitting	/632 560A/
25	1	631949	Flottörhus	Float bowl	Inkl.pos. 32,33/632 560A/
26	1	632386	Fjäder	Float spring	/632 560A/
27	1	631024	Flottöraxel	Float shaft	/632 560A/
28	1	632019	Flottör	Float	/632 560A/
29	1	631028	O-ring	O-ring	/632 560A/
30	1	631021	Nålventil kpl	Inlet needle assy	Inkl.pos. 31/632 560A/
31	1	631022	Fjäder	Spring clip	/632 560A/
32	1	27136A	Bowl drain	Bowl drain	/632 560A/
33	1	27554	Packning	Gasket	/632 560A/
40	1	632385	Mutter	Nut	/632 560A/
44	1	631334	Bricka	Washer	/632 560A/
48	1	631027	Welch plug	Welch plug	/632 560A/

590652



Utgåva Issue 45 - 2014		Tecumseh H600 Snörstart		Tecumseh H600 Rewind Starter	
Pos. Fig.	Antal Quantity	Art nr Part No	Benämning	Description	Anmärkning Notes
1	1	590599A	Stift	Pin	Inkl. pos 4
2	1	590600	Bricka	Washer	
3	1	590615	Hållare	Retainer	
4	1	590601	Bricka	Washer	
5	1	590598	Fjäder	Spring	
6	2	590616	Starter dog	Starter dog	
7	2	590617	Fjäder	Spring	
8	1	590645A	Pulley assy	Pulley assy	Inkl. pos 9, 10
9	1	590619	Returfjäder	Rewind spring	
10	1	590620	Cover	Cover	
11	1	590643	Starthus	Starter housing	
12	1	590535	Startsnöre	Starter Rope	
13	1	590701	Handtag	Handle	

code	pos.	q.ty	page
590616	6	2	p. 21
590617	7	2	p. 21
590619	9	1	p. 21
590620	10	1	p. 21
590643	11	1	p. 21
590645A	8	1	p. 21
590652	390	1	p. 17
590701	13	1	p. 21
610118	101	1	p. 15
611032	89	1	p. 15
611049	135	1	p. 15
611066	90	1	p. 15
611164	330	1	p. 17
630735	15	1	p. 19
631021	30	1	p. 19
631022	31	1	p. 19
631024	27	1	p. 19
631027	48	1	p. 19
631028	29	1	p. 19
631183	5	1	p. 19
631184	4	1	p. 19
631334	44	1	p. 19
631621	6	1	p. 19
631815	14	1	p. 19
631949	25	1	p. 19
632019	28	1	p. 19
632164	16	1	p. 19
632166	1	1	p. 19
632169	2	1	p. 19
632385	40	1	p. 19
632386	26	1	p. 19
632560A	0	1	p. 19
632560A	380	1	p. 17
650390	93	1	p. 15
650477	131	5	p. 15
650506	7	2	p. 19
650579	34	4	p. 15
650579	174	1	p. 15
650633	46	2	p. 15
650737	261	4	p. 15
650814	103	2	p. 15
650815	92	1	p. 15
650838	163	1	p. 15
650869	277	2	p. 15
650911	257	4	p. 15
650926	287	3	p. 15
650959	177	2	p. 15
710513	1	1	p. 15