



Reservdelskatalog Parts Catalogue

SNOW THROWER

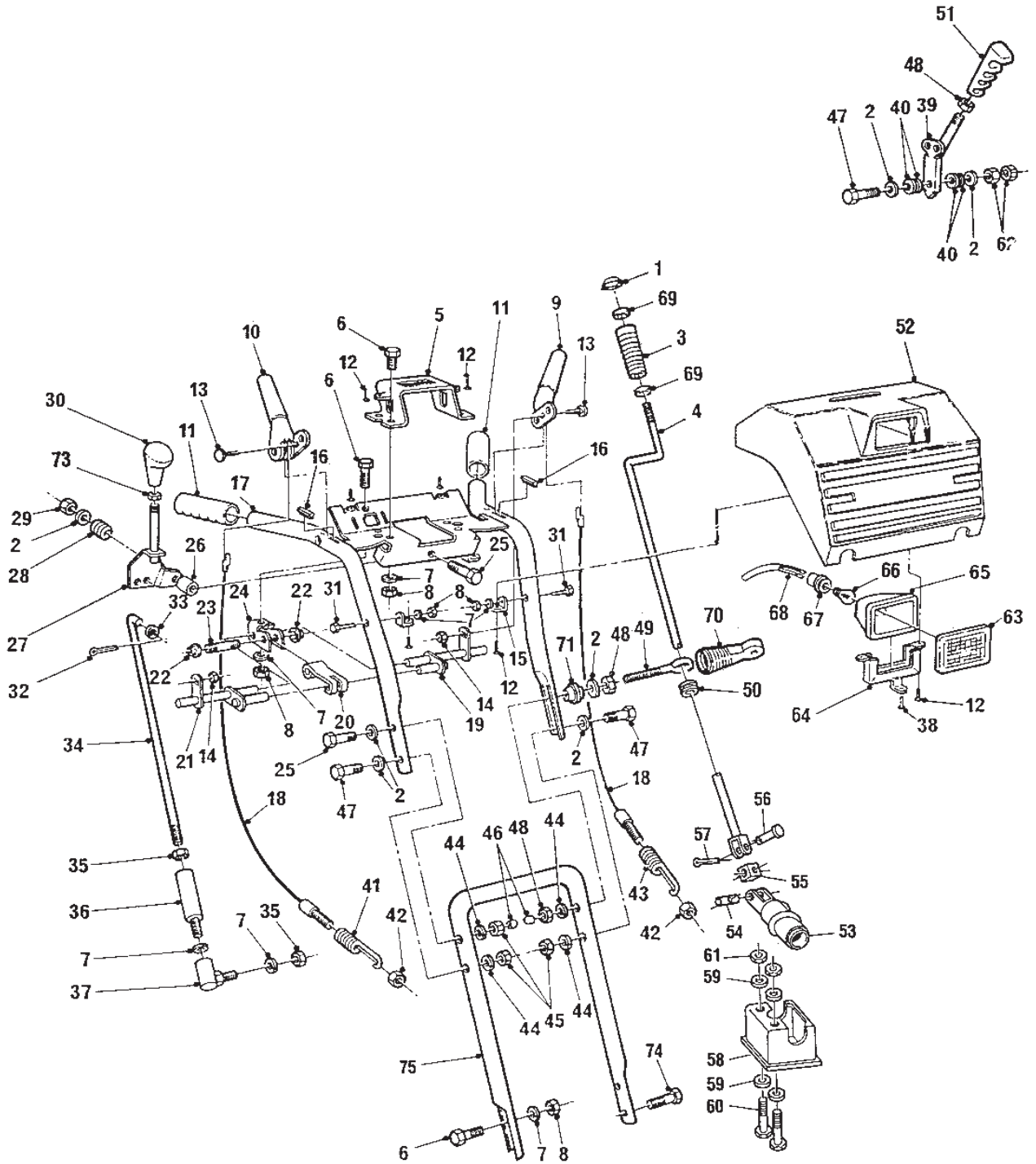
18-2834-16 - Season 1995

- Use GLOBAL GARDEN PRODUCT Genuine Spare Parts specified in the parts list for repair and/or replacement.
 - The contents described in the parts list may change due to improvement.
 - The drawings of the spare parts are only indicative and might not represent the part in question exactly.
 - The indications "right" - "left" - "front" - "rear" refer to the position of the operator when using the machine.
- When placing orders of parts for repair and/or replacement, make sure that the illustrated parts list is the one applying to the machine's year of manufacture, as shown on the identification plate attached to the machine.

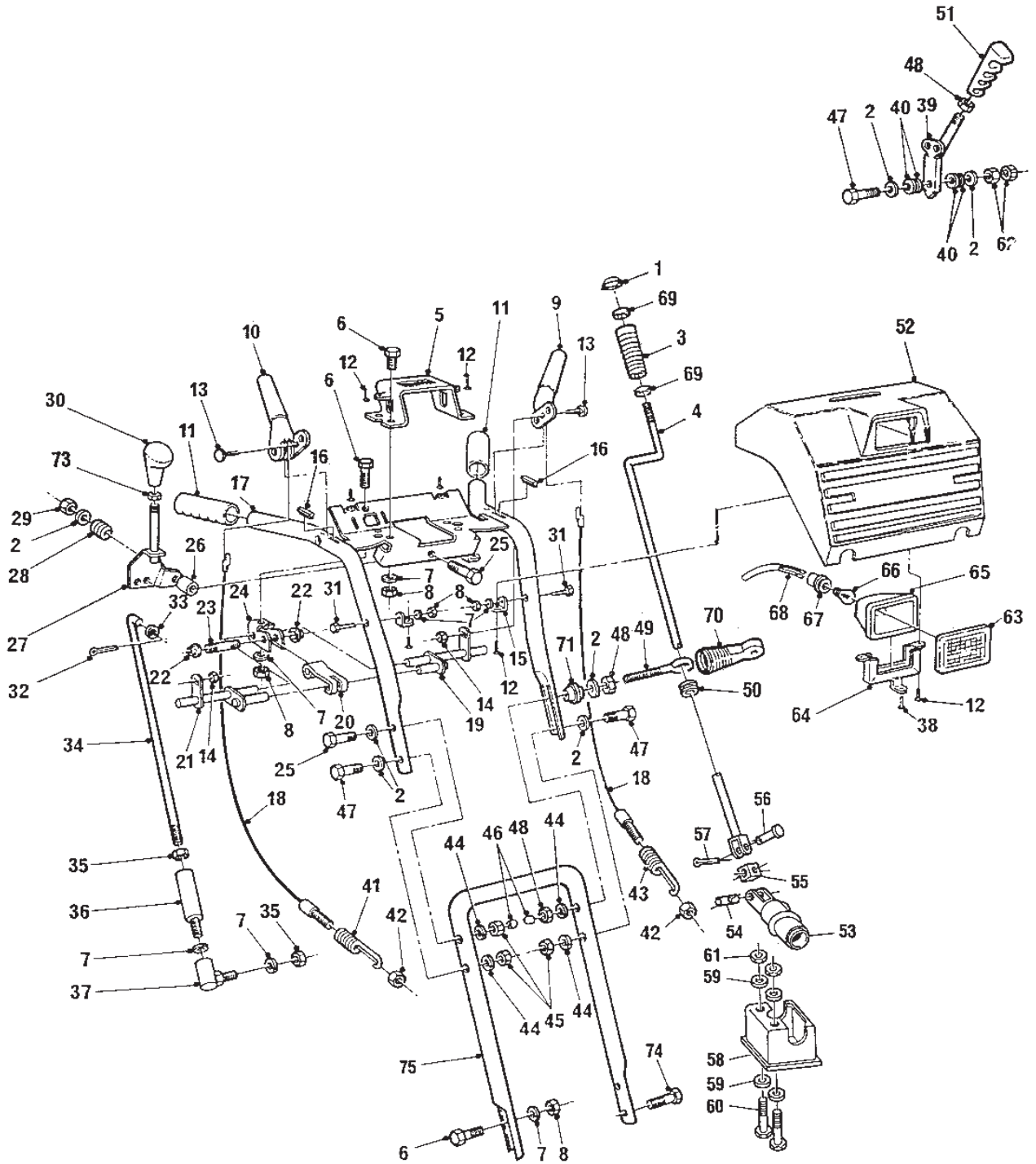
© Copyright 2014 Global Garden Products

All rights reserved. No part of this material may be reproduced or transmitted, in any form or by any means, electronic or mechanical, including photocopying, recording or by any information storage and retrieval system, without permission in writing from GLOBAL GARDEN PRODUCTS.

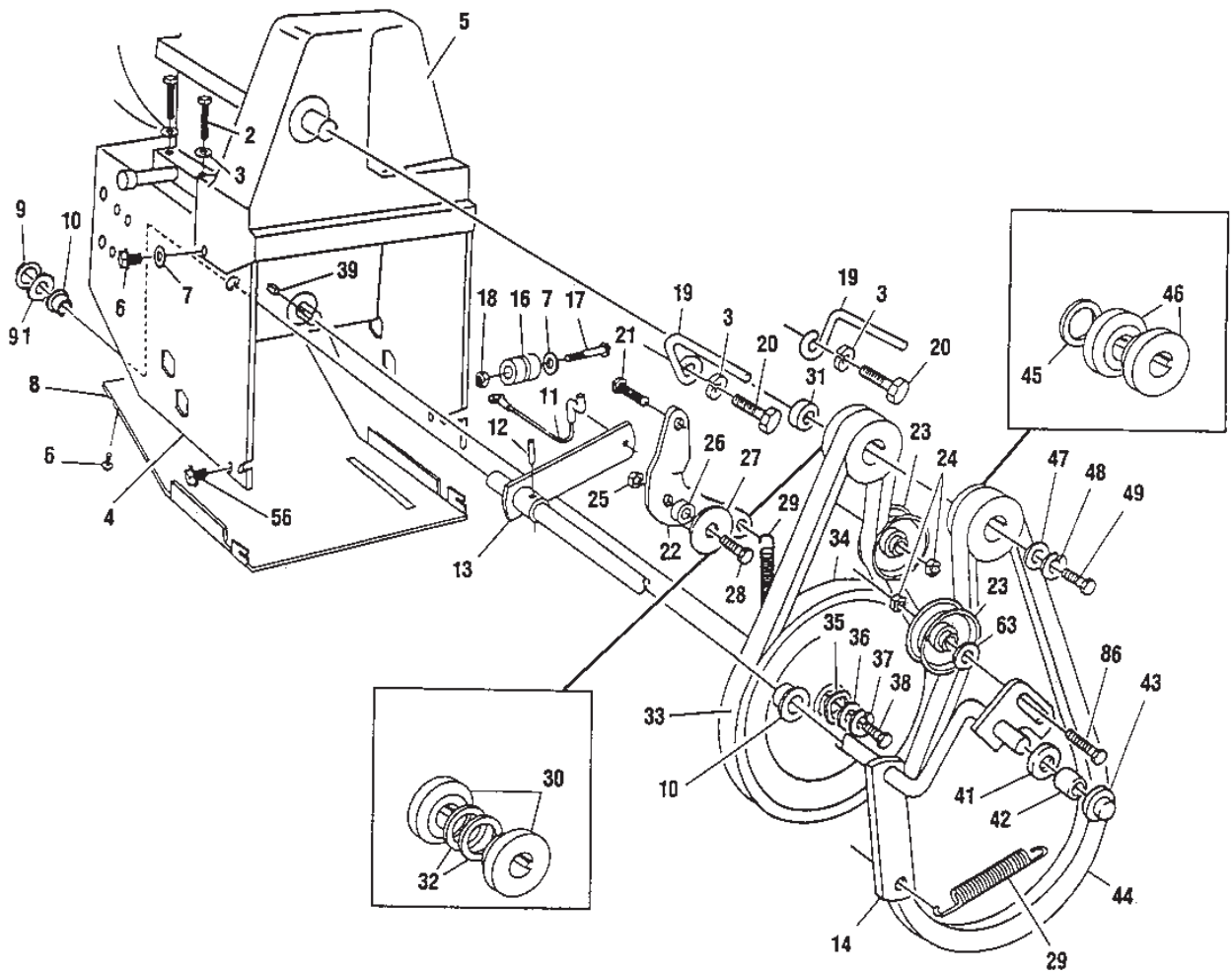
www.stiga.com



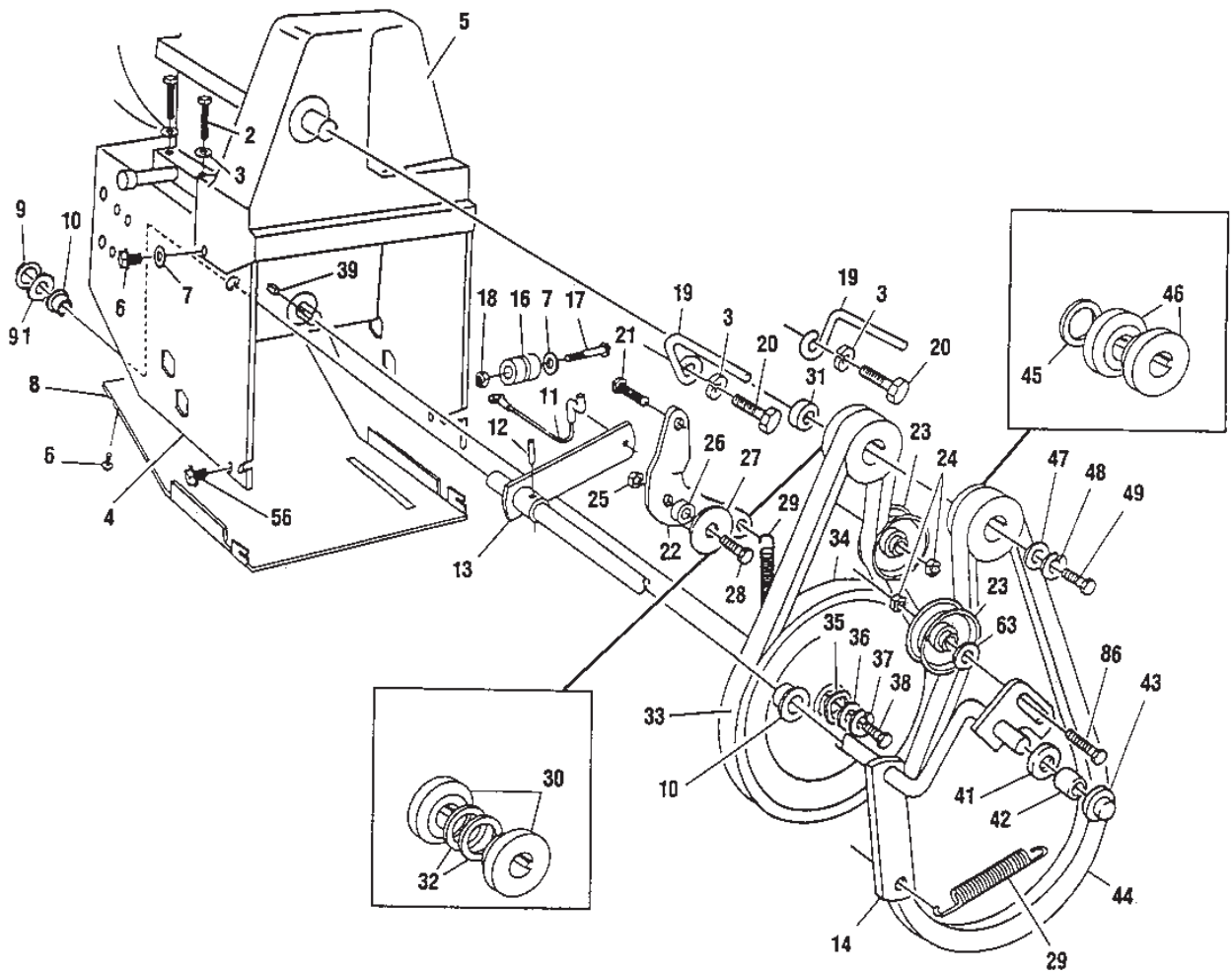
| Utgåva Issue 43 - 2014 | | Styre Reglage | | Handle Controls | |
|------------------------------|-------------------|-------------------|-------------------------------|-----------------------------------|---------------------|
| Pos. Fig. | Antal Quantity | Art nr Part No | Benämning | Description | Anmärkning Notes |
| 1 | 1 | 1812-1183-01 | Låsning | Cap Retainer | |
| 2 | 7 | 9699-0029-02 | Bricka | Washer | |
| 3 | 1 | 1812-1168-01 | Handtag | Handle | |
| 4 | 1 | 1812-1339-01 | Inställningsvev | Crank | |
| 5 | 1 | 1812-1184-01 | Växellägesplåt | Bracket Shifter | |
| 6 | 6 | 9988-3619-16 | Skruv | Screw | |
| 7 | 10 | 9683-0030-02 | Bricka | Washer | |
| 8 | 10 | 9795-3631-02 | Mutter | Nut | |
| 9 | 1 | 1812-1297-01 | Kopplingshandtag-vä | Clutch Handle, Left | |
| 10 | 1 | 1812-1298-01 | Kopplingshandtag-hö | Clutch Handle, Right | |
| 11 | 2 | 1812-0955-01 | Handtag | Handle Grip | |
| 12 | 8 | 1812-0733-01 | Skruv | Screw | |
| 13 | 2 | 1812-0821-01 | Skruv | Carriage Bolt | |
| 14 | 2 | 9743-3521-32 | Mutter | Nut | |
| 15 | 2 | 1812-1186-01 | Panelfäste | Bracket Panel Retainer | |
| 16 | 2 | 1812-0520-01 | Skydd | Protection | |
| 17 | 1 | 1812-1194-01 | Styre-överdel Däck-överdel | Handle Upper Handle, Upper Part | |
| 18 | 2 | 1812-0249-01 | Reglagewire (817 Mm) | Wire (817 Mm) | |
| 19 | 1 | 1812-1189-01 | Spärrstång Vä | Bail Rod L.H. | |
| 20 | 1 | 1812-0834-01 | Låsfjäder | Cam Lock Spring | |
| 21 | 1 | 1812-1188-01 | Spärrstång Hö Spärrstång Vä | Rod Bail Rod R.H. | |
| 22 | 2 | 1812-0396-01 | Låsning | Retainer | |
| 23 | 1 | 1812-1280-01 | Sprint | Pin Latch | |
| 24 | 1 | 1812-1185-01 | Fäste | Bracket Cam Retainer | |
| 25 | 1 | 9988-3764-12 | Skruv | Screw | |
| 26 | 1 | 1812-1193-01 | Distans | Spacer | |
| 27 | 1 | 1812-1249-01 | Actuator shift | Actuator shift | |
| 28 | 1 | 1812-0304-01 | Fjäder | Spring | |
| 29 | 1 | 9743-3721-32 | Mutter | Nut | |
| 30 | 1 | 1812-1293-01 | Reglageknopp | Knob | |
| 31 | 2 | 9988-3645-16 | Skruv | Screw | |
| 32 | 1 | 9599-0054-02 | SaxSprint | Split Pin | |
| 33 | 1 | 9699-0028-02 | Bricka | Washer | |
| 34 | 1 | 1812-1242-01 | Växelstång | Rod Speed Control | |
| 35 | 2 | 9794-5131-02 | Mutter | Nut | |
| 36 | 1 | 1812-0622-01 | Skruvhylsa | Adaptor | |
| 37 | 1 | 1812-0303-01 | Kulled | Ball Joint | |
| 38 | 1 | 1812-1159-01 | Skruv | Screw | |
| 39 | 1 | 1812-1192-01 | Inställningsspak | Lever | |
| 40 | 4 | 1812-0660-01 | Fjäderbricka Bricka | Spring Washer Elastic Washer | |
| 41 | 1 | 1812-0254-01 | Fjäder | Spring | |
| 42 | 2 | 9743-3521-32 | Mutter | Nut | |
| 43 | 1 | 1812-1210-01 | Fjäder | Spring | |
| 44 | 4 | 9683-0035-02 | Bricka | Washer | |
| 45 | 2 | 9795-3731-02 | Mutter | Nut | |
| 46 | 2 | 1812-0830-01 | Plastknopp | Plastic Stop | |
| 47 | 2 | 9988-3745-12 | Skruv | Screw | |
| 48 | 2 | 9743-3721-32 | Mutter | Nut | |
| 49 | 1 | 1812-0394-01 | Öglebult | Eyebolt | |



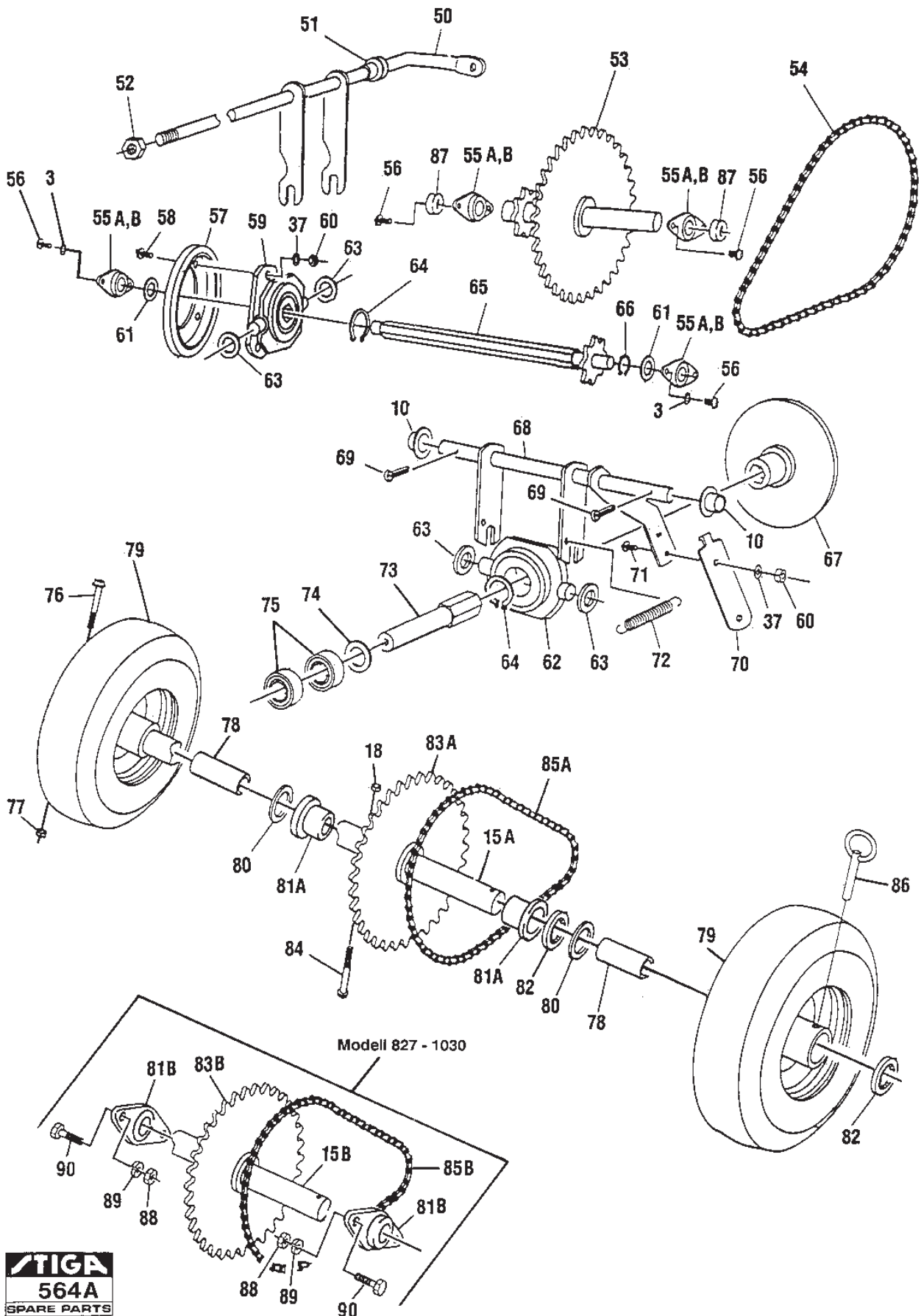
| Utgåva Issue 43 - 2014 | | Styre Reglage | | Handle Controls | |
|------------------------------|-------------------|-------------------|--------------------------------|-------------------------------|---------------------|
| Pos. Fig. | Antal Quantity | Art nr Part No | Benämning | Description | Anmärkning Notes |
| 50 | 1 | 1812-0203-01 | Bussning | Bushing | |
| 51 | 1 | 1133-0650-01 | Handtag | Handle | |
| 52 | 1 | 1812-1294-01 | Reglagepanel | Control Panel | |
| 53 | 1 | 1812-1335-01 | Snäckskruv | Chute Rotate Worm | |
| 54 | 1 | 1812-1316-01 | Axel | Universal Pin | |
| 55 | 1 | 1812-1317-01 | LedkMutter | Universal Housing | |
| 56 | 1 | 1812-1318-01 | Sprint | Clevis Pin | |
| 57 | 1 | 9599-0033-00 | Saxsprint | Split Pin | |
| 58 | 1 | 1812-1334-01 | Fäste-Snäckskruv | Chute Worm Bracket | |
| 59 | 4 | 9699-0026-02 | Bricka | Washer | |
| 60 | 2 | 9988-3519-16 | Skruv | Screw | |
| 61 | 2 | 9743-3521-32 | Mutter | Nut | |
| 62 | 2 | 9743-3721-32 | Mutter | Nut | |
| 63 | 1 | 1812-1195-01 | Strålkastarlins | Lens Cover | |
| 64 | 1 | 1812-1187-01 | Lampfäste | Bracket Light | |
| 65 | 1 | 1812-1196-01 | Strålkastarhus | Housing Light | |
| 66 | 1 | 1812-1245-01 | Giödlampa | Light Bulb | |
| 67 | 1 | 1812-1197-01 | Lamphållare | Lamp holder | |
| 68 | 1 | 1812-1169-01 | Kabelhärva | Wiring harness | |
| 69 | 2 | 1812-1171-01 | Bricka | Washer | |
| 70 | 1 | 1812-1170-01 | Hylsa-öglebult | Boot Eye Bolt Boot-eye bolt | |
| 71 | 1 | 1812-1172-01 | Adapter | Adaptor Boot Boot adaptor | |
| 73 | 1 | 9795-3531-02 | Mutter | Nut | |
| 74 | 2 | 1812-0385-01 | Skruv | Screw | |
| 75 | 1 | 1812-0553-01 | Däck-underdel Styre-underdel | Handle Lower Part | |



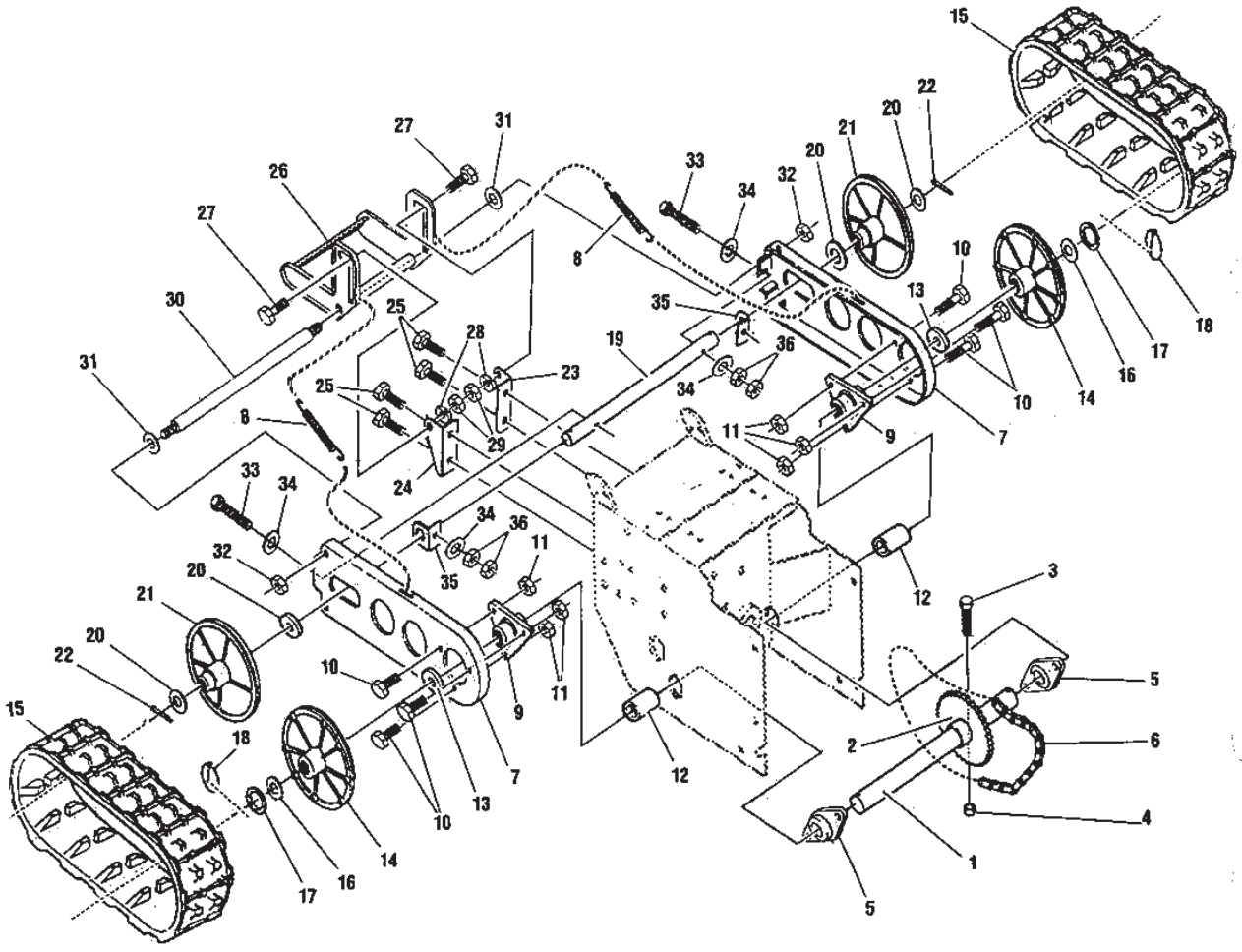
| Utgåva Issue 43 - 2014 | | Remtransmission | | Belt Transmission | |
|------------------------------|-------------------|-------------------|---------------|--------------------------|---------------------|
| Pos. Fig. | Antal Quantity | Art nr Part No | Benämning | Description | Anmärkning Notes |
| 2 | 4 | 9988-3632-16 | Skruv | Screw | |
| 3 | 6 | 9683-0030-02 | Bricka | Washer | |
| 4 | 1 | 1812-1299-01 | Chassi | Motor mount | |
| 5 | 1 | 1812-1228-01 | Remskydd | Belt Cover | |
| 6 | 4 | 1812-0384-01 | Skruv | Screw | |
| 7 | 3 | 9699-0026-02 | Bricka | Washer | |
| 8 | 1 | 1812-1257-01 | Bottenplåt | Bottom Panel | |
| 9 | 1 | 1812-0404-01 | Låsning | Retainer | |
| 10 | 2 | 1812-0328-01 | Bussning | Bushing | |
| 11 | 1 | 1812-1203-01 | Wire | Cable Eye Lever | |
| 12 | 1 | 1812-0401-01 | Stift | Pin | |
| 13 | 1 | 1812-1212-01 | Spännarm | Auger Clutch Cable Lever | |
| 14 | 1 | 1812-1290-01 | Spännarm | Auger Clutch Assy | |
| 16 | 1 | 1812-1205-01 | Spole | Spool | |
| 17 | 1 | 9988-3545-12 | Skruv | Screw | |
| 18 | 1 | 9743-3521-32 | Mutter | Nut | |
| 19 | 2 | 1812-0533-01 | Remstyrning | Belt Guide | |
| 20 | 2 | 1812-1128-01 | Bult | Bolt | |
| 21 | 1 | 9988-3732-12 | Skruv | Screw | |
| 22 | 1 | 1812-1211-01 | Spännarm | Idler Lever | |
| 23 | 2 | 1812-0305-01 | Spännrulle | Tension Roller | |
| 24 | 2 | 9743-3721-32 | Mutter | Nut | |
| 25 | 1 | 9743-3621-32 | Mutter | Nut | |
| 26 | 1 | 1812-1208-01 | Bussning | Bushing | |
| 27 | 1 | 9699-0062-02 | Bricka | Washer | |
| 28 | 1 | 9988-3619-16 | Skruv | Screw | |
| 29 | 2 | 1812-0329-01 | Fjäder | Spring | |
| 30 | 2 | 1812-1201-01 | Motorremskiva | Traction Pulley | |
| 31 | 1 | 1812-1202-01 | Bricka | Washer | |
| 32 | 2 | 1812-1206-01 | Distans | Spacer | |
| 33 | 1 | 1812-9016-01 | Kilrem | V-Belt | |
| 34 | 1 | 1812-1236-01 | Remskiva | Traction Pulley | |
| 35 | 1 | 1812-1237-01 | Bricka | Wave Washer | |
| 36 | 1 | 1812-1190-01 | Bricka | Flat washer | |
| 37 | 1 | 9683-0025-02 | Bricka | Washer | |
| 38 | 1 | 9988-3516-16 | Skruv | Screw | |
| 39 | 1 | 1812-1239-01 | Kil | Square Key | |
| 41 | 1 | 9699-0038-02 | Bricka | Washer | |
| 42 | 1 | 1812-1289-01 | Bussning | Bushing | |
| 43 | 1 | 1812-0404-01 | Låsning | Retainer | |
| 44 | 1 | 1812-9020-01 | Drivrem | Belt | |
| 45 | 1 | 1812-1350-01 | Distans | Spacer | |
| 46 | 2 | 1812-1351-01 | Motorremskiva | Engine Pulley | |
| 47 | 1 | 1812-0283-01 | Bricka | Washer | |
| 48 | 1 | 9683-0035-02 | Bricka | Washer | |
| 49 | 1 | 9987-5225-16 | Skruv | Screw | |
| 56 | 2 | 1812-0385-01 | Skruv | Screw | |
| 63 | 1 | 9699-0115-02 | Bricka | Washer | |
| 86 | 1 | 9899-3732-16 | Skruv | Screw | |



| Utgåva Issue 43 - 2014 | | Remtransmission | | | | Belt Transmission |
|------------------------------|-------------------|-------------------|-----------------|---------------|---------------------|-------------------|
| Pos. Fig. | Antal Quantity | Art nr Part No | Benämning | Description | Anmärkning Notes | |
| 99 | 1 | 1812-1348-01 | Ljuddämparskydd | Muffler Guard | Ej ill/not ill. | |

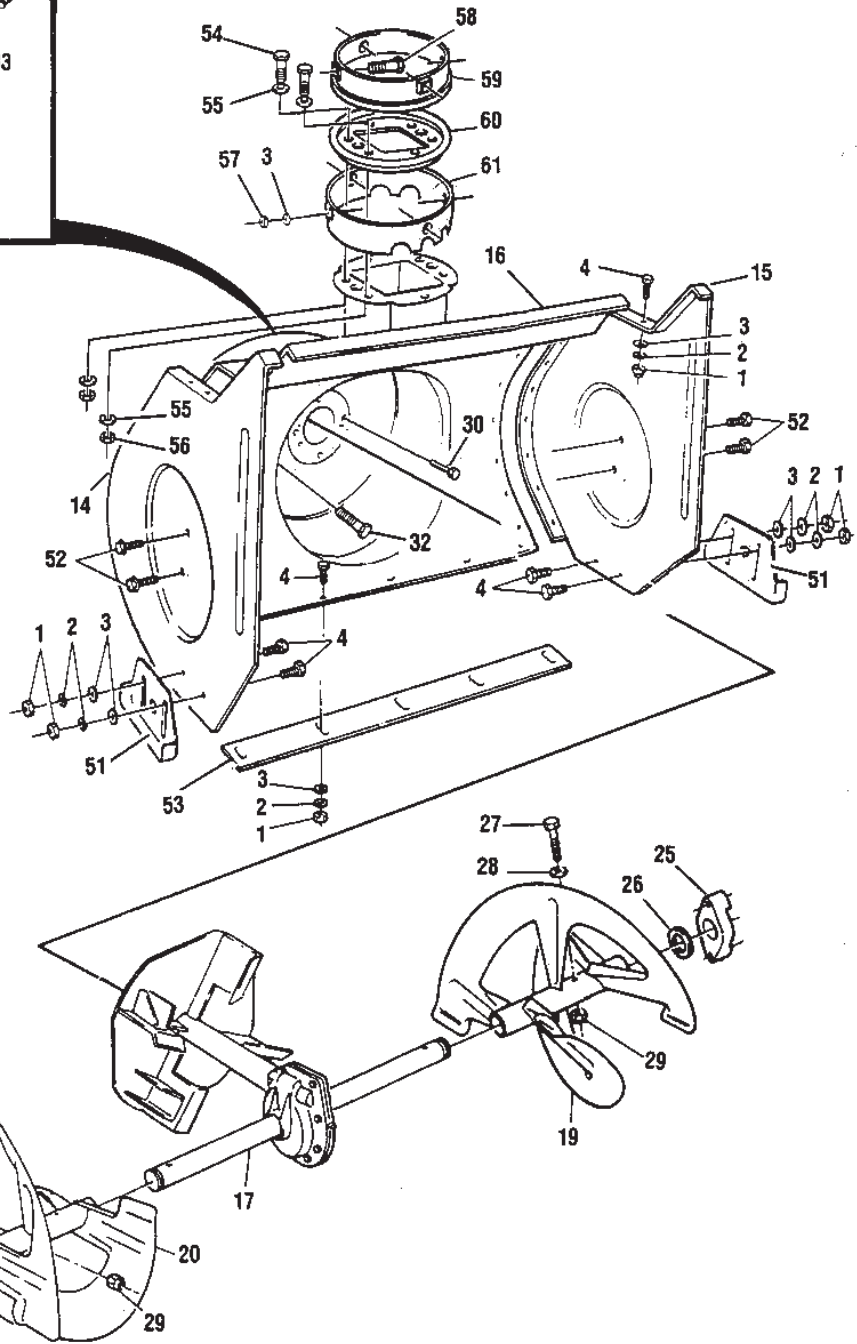
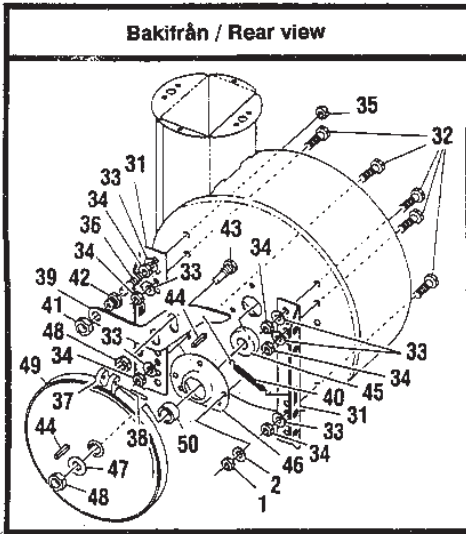


| Utgåva Issue 43 - 2014 | | Framdrivning Drive Train | | | |
|------------------------------|-------------------|-----------------------------|--------------------------|------------------------|---------------------|
| Pos. Fig. | Antal Quantity | Art nr Part No | Benämning | Description | Anmärkning Notes |
| 3 | 4 | 9683-0030-02 | Bricka | Washer | |
| 10 | 2 | 1812-0328-01 | Bussning | Bushing | |
| 15 | 1 | 1812-1346-01 | Hjulaxel | Axle | |
| 18 | 1 | 9743-3521-32 | Mutter | Nut | |
| 37 | 4 | 9683-0025-02 | Bricka | Washer | |
| 50 | 1 | 1812-1248-01 | Speed select lever | Speed select lever | |
| 51 | 1 | 1812-1219-01 | Plastbussning | Plastic Bushing | |
| 52 | 1 | 9743-3721-32 | Mutter | Nut | |
| 53 | 1 | 1812-1256-01 | Axel M.Kedjedrev (12 Mm) | Jack Shaft | Ø 12 mm |
| 54 | 1 | 1812-1209-01 | Kedja | Chain Roller | |
| 55 | 2 | 1812-1200-01 | Lagerhållare | Bearing Retainer | |
| 55 | 2 | 1812-1178-01 | Glidlager m.hållare | Bearing & Retainer | |
| 56 | 8 | 1812-0385-01 | Skruv | Screw | |
| 57 | 1 | 1812-9002-01 | Friktionshjul | Friction Disc | |
| 58 | 3 | 9988-3516-16 | Skruv | Screw | |
| 59 | 1 | 1812-1313-01 | Lager | Trunion Bearing | |
| 60 | 4 | 9795-3531-02 | Mutter | Nut | |
| 61 | 2 | 1812-1204-01 | Bricka | Washer | |
| 62 | 1 | 1812-0450-01 | Bärlager | Bearing | |
| 63 | 4 | 9699-0115-02 | Bricka | Washer | |
| 64 | 2 | 1812-0402-01 | Låsring | Retaining Ring | |
| 66 | 1 | 1812-1164-01 | Låsring | Retainer Ring | |
| 67 | 1 | 1812-1269-01 | Friktionshjul | Friction Disc | |
| 68 | 1 | 1812-1218-01 | Traction shaft | Traction shaft | |
| 69 | 2 | 9599-0073-02 | Saxsprint | Split Pin | |
| 70 | 1 | 1812-1217-01 | Fjäderarm | Traction Spring Lever | |
| 71 | 1 | 9988-3516-16 | Skruv | Screw | |
| 72 | 1 | 1812-0364-01 | Fjäder | Spring | |
| 73 | 1 | 1812-1262-01 | Axel | Traction Hex Shaft | |
| 74 | 1 | 1812-1238-01 | Bricka | Washer | |
| 75 | 2 | 1812-1229-01 | Kullager | Ball Bearing | |
| 76 | 1 | 1812-1114-01 | Bult Skruv | Bolt Screw | |
| 77 | 1 | 1812-0812-01 | Mutter | Nut | |
| 78 | 4 | 1812-1342-01 | Hjulbussning | Bushing | |
| 79 | 2 | 1812-1266-01 | Hjul kpl-hö | Wheel | 4.80 x 4.00 |
| 80 | 2 | 1812-0665-01 | Bricka | Washer | |
| 81 | 2 | 1812-0820-01 | Lager | Bearing | |
| 82 | 1 | 1812-0567-01 | Låsning Bricka | Retainer ring Washer | |
| 83 | 1 | 1812-1253-01 | Kedjedrev-37T | Sprocket | |
| 84 | 1 | 9988-3557-12 | Skruv | Screw | |
| 85 | 1 | 1812-1255-01 | Kedja | Chain | |
| 86 | 1 | 1812-0408-01 | Låssprint | Click Pin | |
| 87 | 2 | 1812-1207-01 | Kullager | Ball Bearing | |
| 88 | 4 | 9795-3731-02 | Mutter | Nut | |
| 89 | 4 | 9683-0035-02 | Bricka | Washer | |
| 90 | 4 | 9988-3719-16 | Skruv | Screw | |

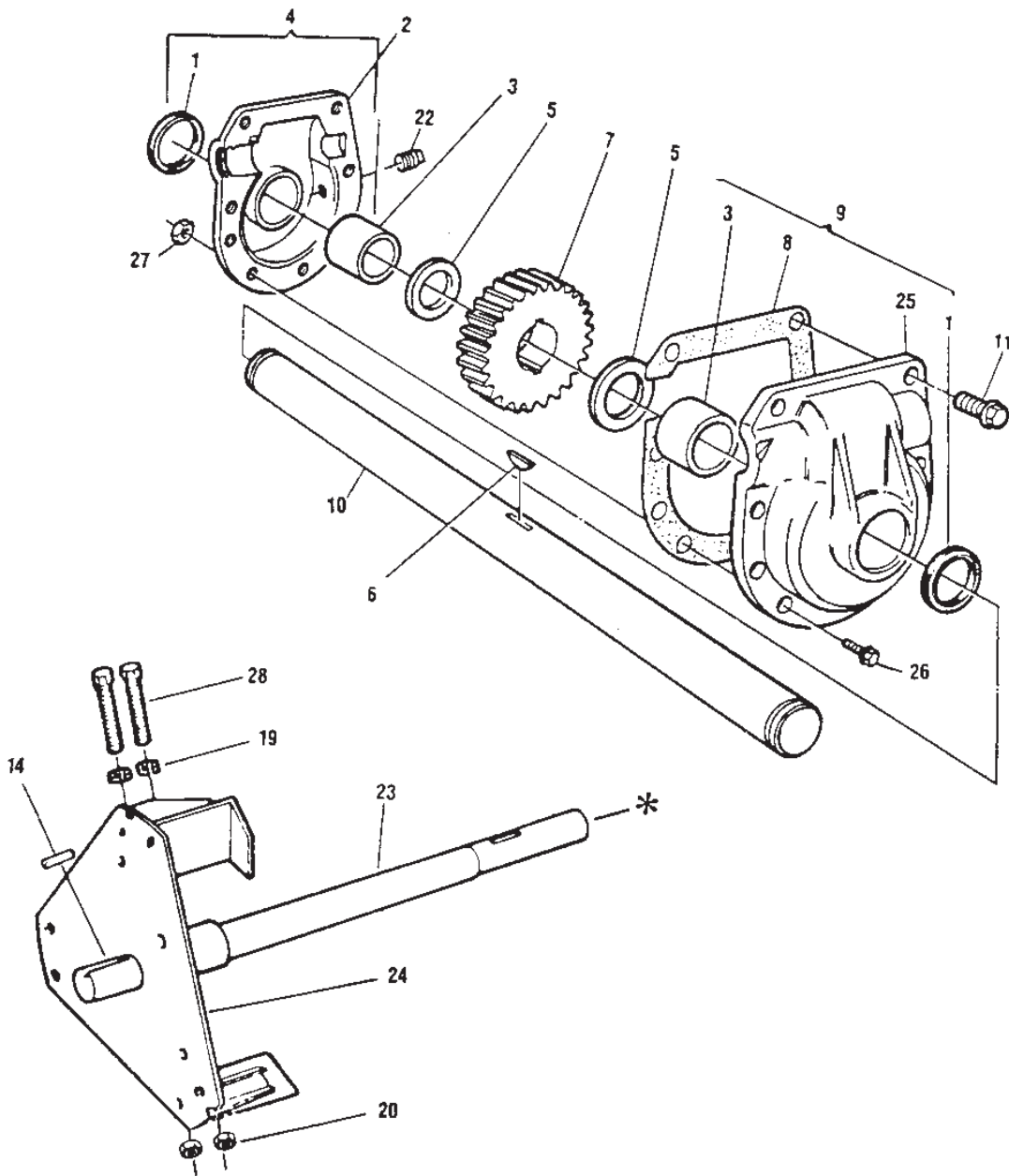
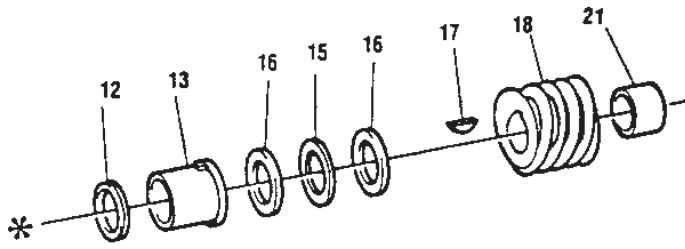




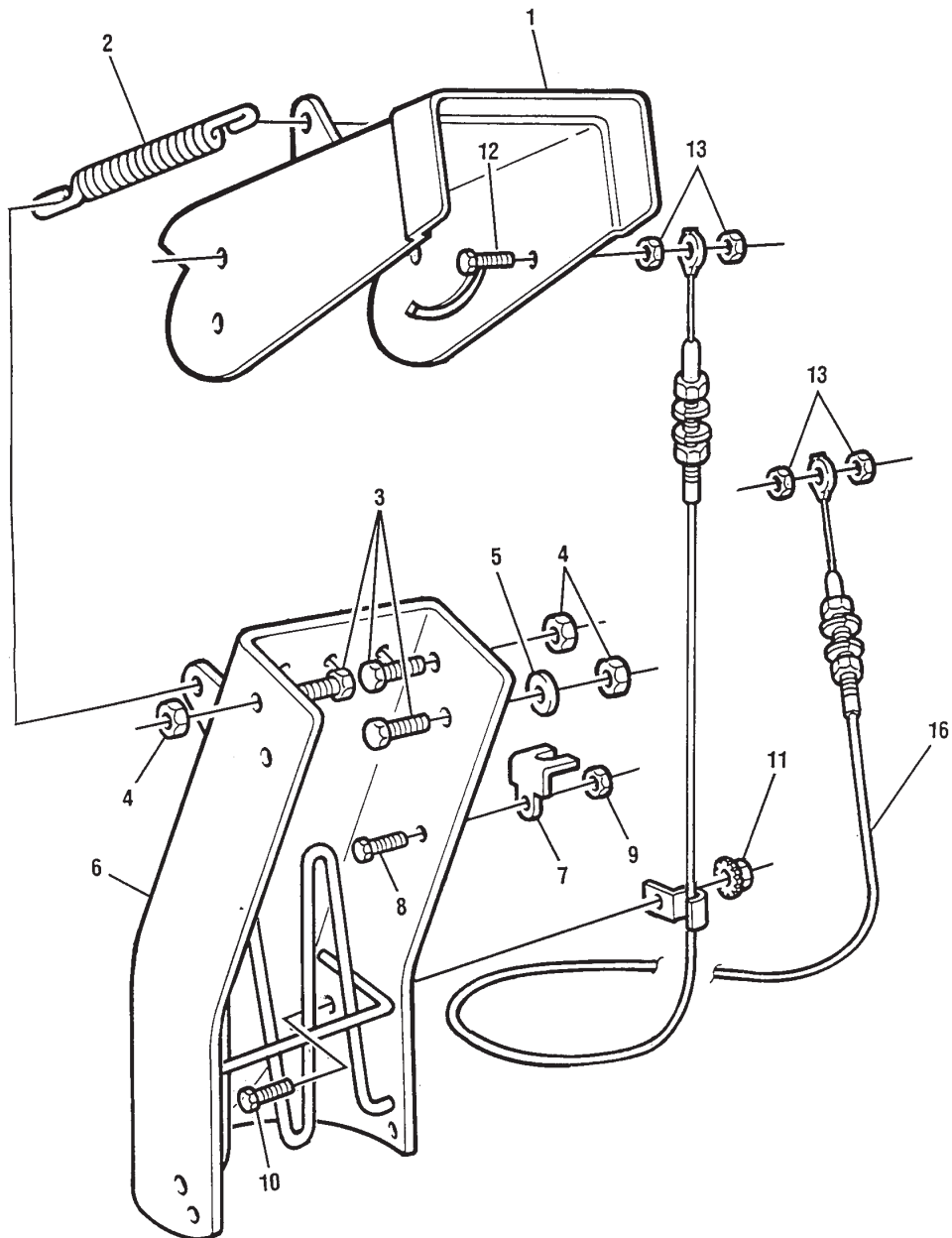
| Utgåva Issue 43 - 2014 | | Banddrivning Track Drive Unit | | | |
|------------------------------|-------------------|----------------------------------|-----------|-------------|---------------------|
| Pos. Fig. | Antal Quantity | Art nr Part No | Benämning | Description | Anmärkning Notes |
| | | | | | |



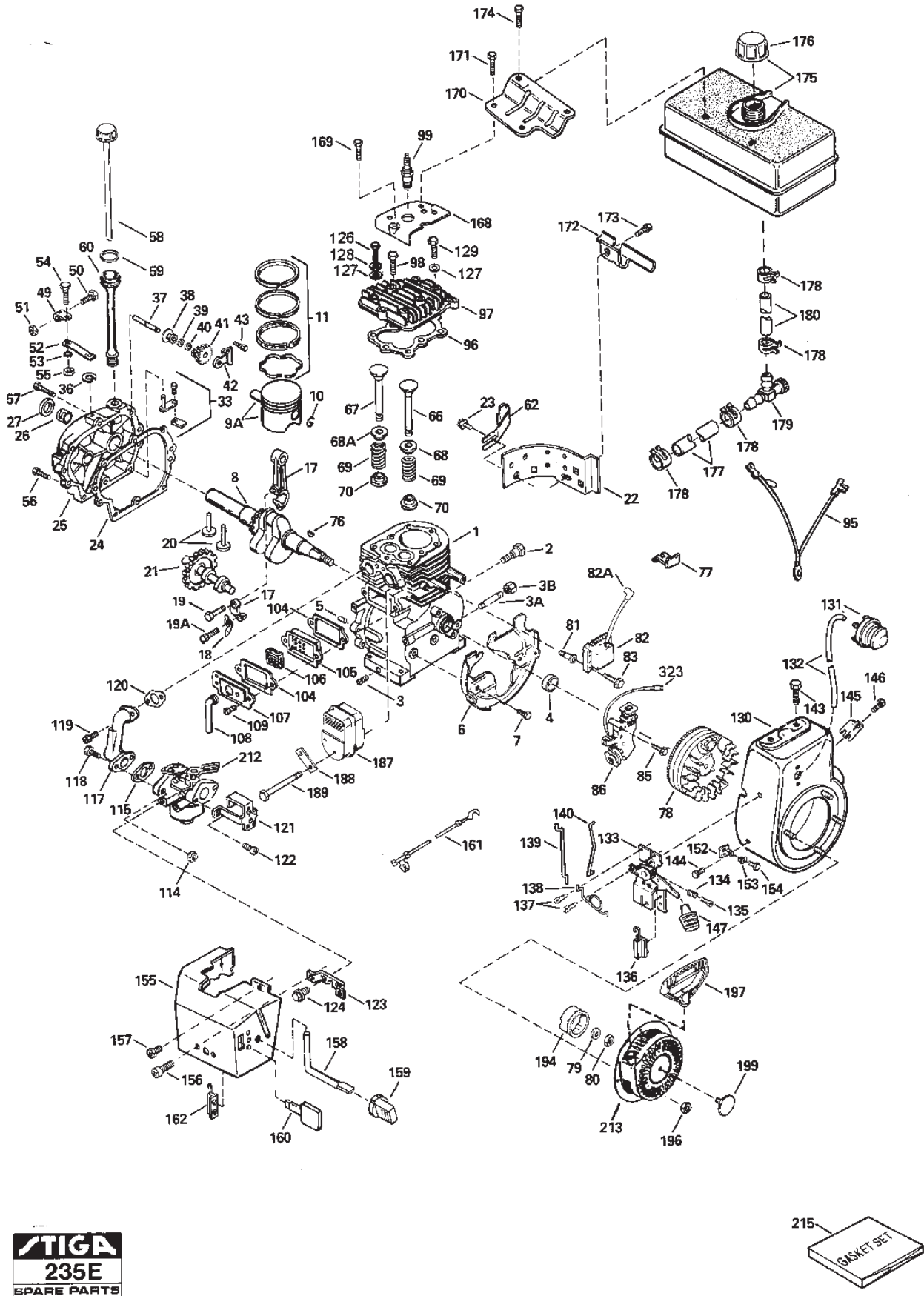
| Utgåva Issue 43 - 2014 | | Slungenhet Auger Assy | | | |
|------------------------------|-------------------|--------------------------|-------------------|-------------------------|---------------------|
| Pos. Fig. | Antal Quantity | Art nr Part No | Benämning | Description | Anmärkning Notes |
| 1 | 32 | 9795-3631-02 | Mutter | Nut | |
| 2 | 32 | 9683-0030-02 | Bricka | Washer | |
| 3 | 32 | 9699-0028-02 | Bricka | Washer | |
| 4 | 29 | 9899-3622-16 | Skruv | Screw | |
| 14 | 1 | 1812-0869-01 | Sidoplåt Hö | Side Plate R.H | |
| 15 | 1 | 1812-0868-01 | Sidoplåt Vä | Side Plate L.H | |
| 16 | 1 | 1812-1282-01 | Auger housing | Auger housing | |
| 17 | 1 | 1812-1278-01 | Snäckväxel kpl | Gear Box Assy | |
| 19 | 1 | 1812-1274-01 | Snöskruv-vä | Auger L.H. | |
| 20 | 1 | 1812-1275-01 | Snöskruv-hö | Auger R.H. | |
| 25 | 2 | 1812-0347-01 | Lager | Bearing | |
| 26 | 2 | 1812-0397-01 | Distans | Spacer | |
| 27 | 1 | 1812-9005-01 | Brytbultsats | Shear Bolt Kit | Inkl.pos. 28, 29 |
| 28 | 2 | 1812-0531-01 | Distans | Spacer | |
| 29 | 2 | 1812-0812-01 | Mutter | Nut | |
| 30 | 3 | 1812-1221-01 | Hårnålssprintbult | Impeller Stud | |
| 31 | 2 | 1812-1176-01 | Fäststag | Mounting Bracket | |
| 32 | 8 | 9988-3719-16 | Skruv | Screw | |
| 33 | 6 | 9683-0035-02 | Bricka | Washer | |
| 34 | 6 | 9795-3731-02 | Mutter | Nut | |
| 35 | 1 | 9743-3721-32 | Mutter | Nut | |
| 36 | 1 | 1812-1288-01 | Hårnålssprintbult | Brake Arm Stud | |
| 37 | 1 | 1812-1244-01 | Bromsbelägg | Brake Pad | |
| 38 | 1 | 1812-0401-01 | Stift | Pin | |
| 39 | 1 | 1812-1286-01 | Bromsarm | Brake Arm | |
| 40 | 1 | 1812-1162-01 | Return spring | Return spring | |
| 41 | 1 | 1812-1344-01 | Låsmutter | Nut | |
| 42 | 1 | 1812-1287-01 | Pivotbult | Brake Arm Pivot Bolt | |
| 43 | 1 | 1812-1285-01 | Justerskruv | Brake Arm Adj.Bolt | |
| 44 | 1 | 1812-1167-01 | Kil | Key | |
| 45 | 1 | 1812-1229-01 | Kullager | Ball Bearing | |
| 46 | 1 | 1812-1250-01 | Lagerhållare | Retainer Bearing | |
| 47 | 1 | 9699-0038-02 | Bricka | Washer | |
| 48 | 2 | 9743-5421-32 | Mutter | Nut | |
| 49 | 1 | 1812-1261-01 | Remskiva | Auger Pulley | |
| 50 | 1 | 1812-1265-01 | Distans | Spacer impeller | |
| 51 | 2 | 1812-0831-01 | Släpsko | Height Adjustor | |
| 52 | 4 | 1812-0387-01 | Skruv | Screw | |
| 53 | 1 | 1812-1258-01 | Skrapskär | Scraper Bar 27 | |
| 54 | 4 | 9988-3519-16 | Skruv | Screw | |
| 55 | 8 | 9699-0026-02 | Bricka | Washer | |
| 56 | 4 | 9743-3521-32 | Mutter | Nut | |
| 57 | 3 | 9743-3621-32 | Mutter | Nut | |
| 58 | 3 | 9899-3625-16 | Skruv | Screw | |
| 59 | 1 | 1812-1333-01 | Utkastring-Inre | Chute Rotate Ring-Inner | |
| 60 | 1 | 1812-1336-01 | Utkastring-Platta | Chute Rotate Collar | |
| 61 | 1 | 1812-1332-01 | Utkastring-Yttre | Chute Rotate Ring-Outer | |



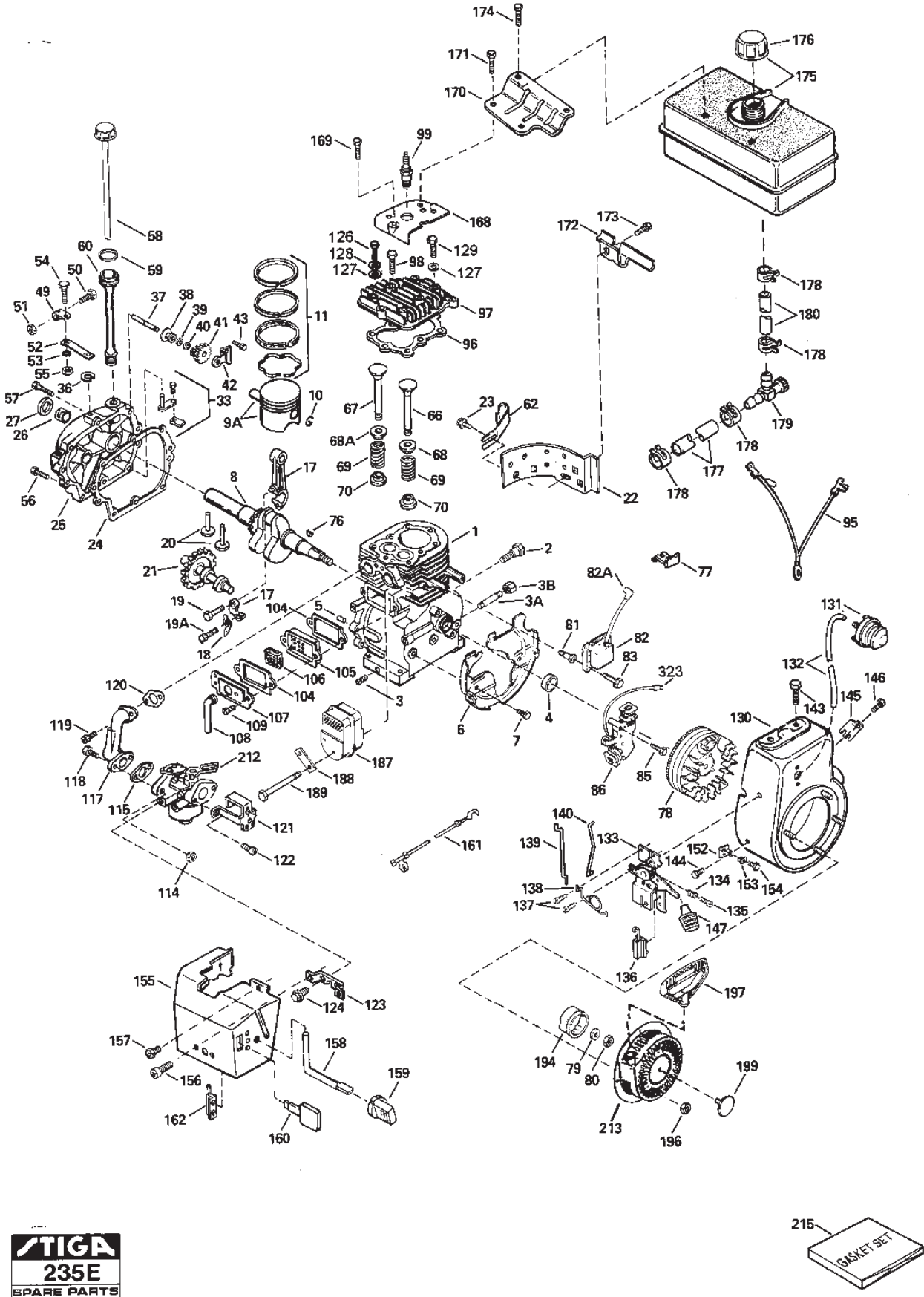
| Utgåva Issue 43 - 2014 | | Snäckväxel Auger Gear Box | | | |
|------------------------------|-------------------|------------------------------|-------------------|------------------------------------|---------------------|
| Pos. Fig. | Antal Quantity | Art nr Part No | Benämning | Description | Anmärkning Notes |
| 0 | 1 | 1812-1278-01 | Snäckväxel kpl | Gear Box Assy | |
| 0 | 1 | 1812-1278-01 | Snäckväxel kpl | Gear Box Assy | |
| 1 | 2 | 1812-0344-01 | Tätningring | Ring | |
| 3 | 2 | 1812-0343-01 | Lager | Bearing | |
| 4 | 1 | 1812-0227-01 | Snäckväxelhus-vä | Gear case-LH Gear Housing, Left | Inkl.pos. 1,2,3 |
| 5 | 2 | 1812-0345-01 | Bricka | Washer | |
| 6 | 1 | 1812-0409-01 | Woodruffkil | Woodruff Key | |
| 7 | 1 | 1812-0335-01 | Drev | Worm Gear | |
| 8 | 1 | 1812-0226-01 | Packning | Gasket | |
| 9 | 1 | 1812-0228-01 | Snäckväxelhus-hö | Gear case-RH Gear Housing, Right | Inkl.pos. 1,3,25 |
| 10 | 1 | 1812-1276-01 | Snöskruvaxel | Auger Shaft | |
| 10 | 1 | 1812-1276-01 | Snöskruvaxel | Auger Shaft | |
| 11 | 1 | 9987-5145-12 | Skruv | Screw | |
| 12 | 1 | 1812-0341-01 | Tätningring | Ring | |
| 13 | 1 | 1812-1259-01 | Flänslager | Bearing Impeller Shaft | |
| 14 | 1 | 1812-1167-01 | Kil | Key | |
| 15 | 1 | 1812-0285-01 | Nållager | Needle Bearing | |
| 16 | 2 | 1812-0857-01 | Bricka | Thrust Washer | |
| 17 | 1 | 1812-0307-01 | Kil | Key | |
| 18 | 1 | 1812-0336-01 | Snäckdrev | Gear | |
| 21 | 1 | 1812-0297-01 | Lager | Bearing | |
| 22 | 1 | 1812-0346-01 | OljePlugg | Oil Plug | |
| 24 | 1 | 1812-1264-01 | Fläkt M.Axel | Impeller | |
| 24 | 1 | 1812-1338-01 | Fläktaxel M.Fläkt | Impeller Shaft W.Fan | |
| 24 | 1 | 1812-1264-01 | Fläkt M.Axel | Impeller | |
| 24 | 1 | 1812-1338-01 | Fläktaxel M.Fläkt | Impeller Shaft W.Fan | |
| 26 | 7 | 9987-5125-16 | Skruv | Screw | |
| 27 | 8 | 9743-5121-02 | Mutter | Nut | |



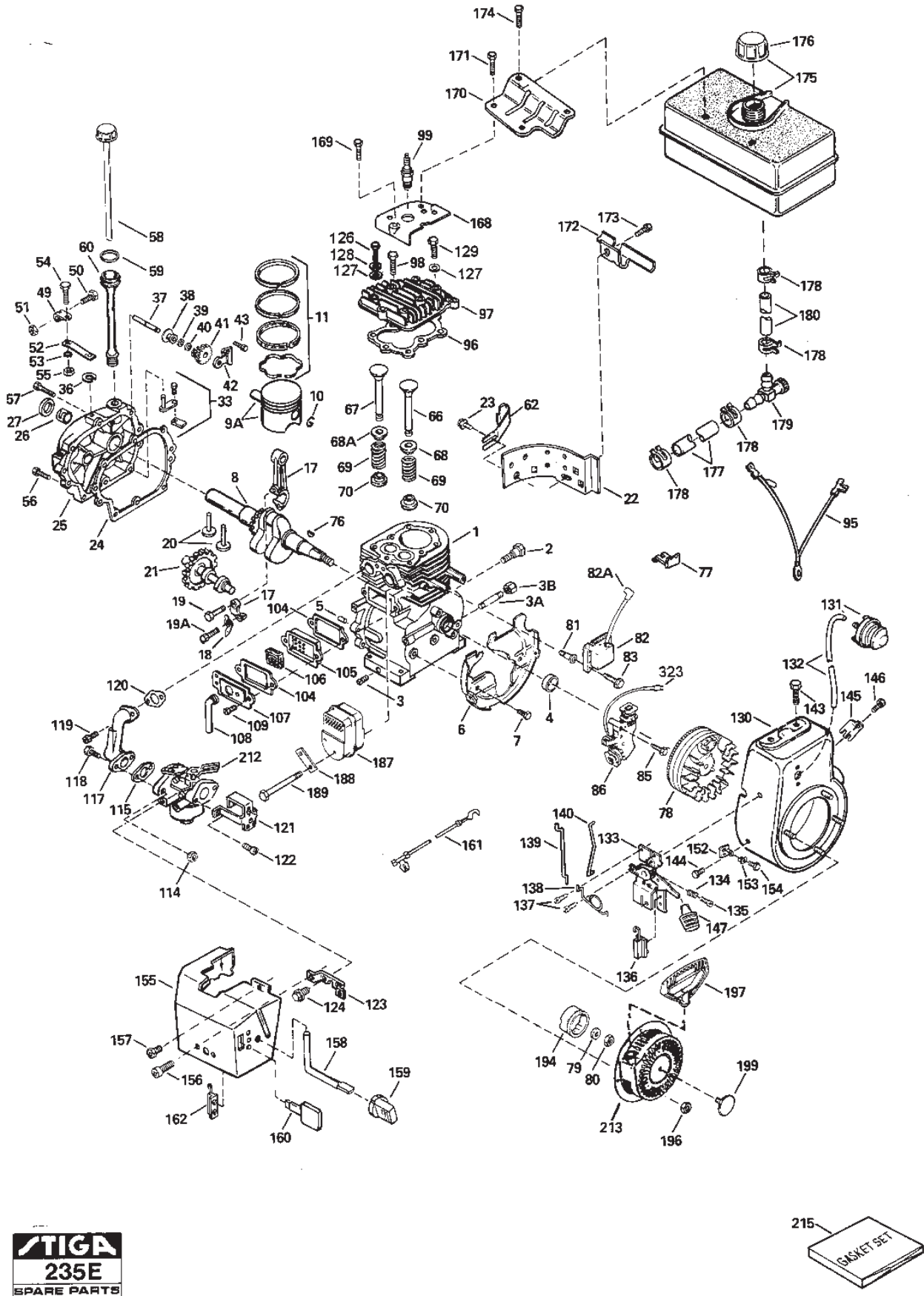
| Utgåva Issue 43 - 2014 | | Fjärreglage-Utkast | | Remote Chute | |
|------------------------------|-------------------|--------------------|------------------|-----------------|---------------------|
| Pos. Fig. | Antal Quantity | Art nr Part No | Benämning | Description | Anmärkning Notes |
| 1 | 1 | 1812-1160-01 | Utkastskärm | Chute Deflector | |
| 2 | 1 | 1812-0574-01 | Fjäder | Spring | |
| 3 | 3 | 9988-3619-16 | Skruv | Screw | |
| 4 | 3 | 9743-3621-32 | Mutter | Nut | |
| 5 | 1 | 1812-0667-01 | Plastbricka | Washer | |
| 6 | 1 | 1812-1302-01 | Utkaströr | Chute Extension | |
| 7 | 1 | 1812-0581-01 | Fäste | Bracket | |
| 8 | 1 | 9988-3613-16 | Skruv | Screw | |
| 9 | 1 | 1812-0811-01 | Mutter | Nut | |
| 10 | 1 | 1812-0629-01 | Skruv | Screw | |
| 11 | 1 | 1812-0630-01 | Mutter | Nut | |
| 12 | 1 | 9988-3525-16 | Skruv | Screw | |
| 13 | 4 | 9743-3521-32 | Mutter | Nut | |
| 16 | 1 | 1812-1305-01 | Wire-Fjärreglage | Remote Cable | |



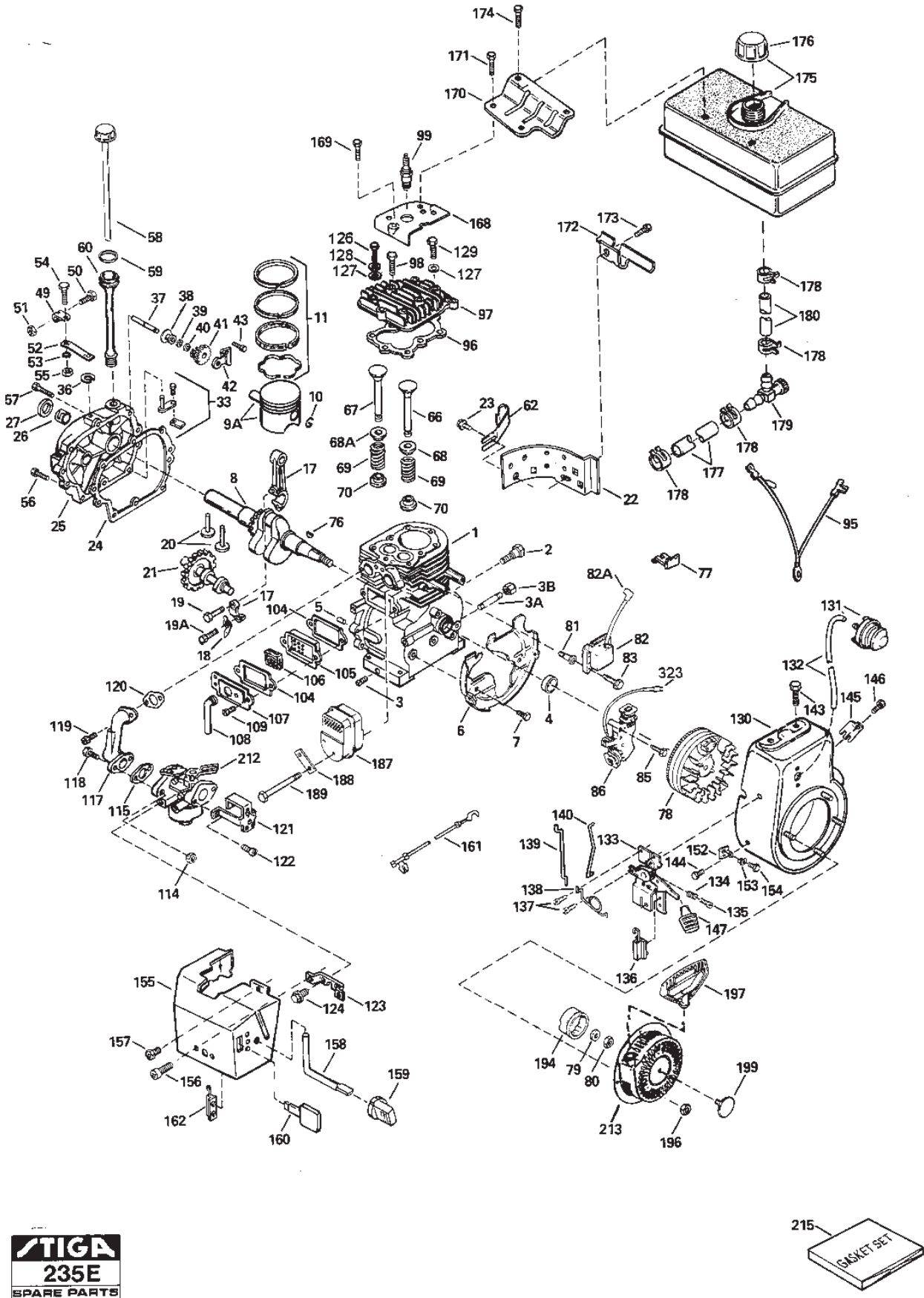
| Utgåva Issue 43 - 2014 | | Tecumseh Hm80 Hm100 | | Tecumseh Hm80 Hm100 | |
|------------------------------|-------------------|---------------------|---------------------------------|---------------------------------|---------------------|
| Pos. Fig. | Antal Quantity | Art nr Part No | Benämning | Description | Anmärkning Notes |
| 1 | 1 | 35371 | Cylinder kpl | Cylinder Assy | Inkl.pos. 3,4,5 |
| 1 | 1 | 35385 | Cylinder kpl | Cylinder Assy | Inkl.pos. 3,4,5 |
| 2 | 2 | 650820 | Shoulder bolt | Shoulder bolt | |
| 3 | 2 | 27642 | Oil drain plug | Oil drain plug | |
| 3 | 1 | 30968 | Rör | Pipe | |
| 3 | 1 | 30969 | Cap | Cap | |
| 4 | 1 | 35319 | Oil seal | Oil seal | |
| 5 | 2 | 27652 | Styrpinne | Dowel pin | |
| 6 | 1 | 36460 | Baffle | Baffle | |
| 7 | 2 | 650561 | Skruv | Screw | |
| 8 | 1 | 36245 | Crankshaft | Crankshaft | |
| 9 | 1 | 34329A | Kolvsprint | Piston Pin | Inkl.pos. 10 |
| 9 | 1 | 35773 | Kolvsprint | Piston Pin | Inkl.pos. 10 |
| 10 | 2 | 27888 | Retaining ring | Retaining ring | |
| 10 | 2 | 35772 | Retaining ring | Retaining ring | |
| 11 | 1 | 34332 | Ring set | Ring set | |
| 11 | 1 | 35779 | Ring set | Ring set | |
| 17 | 1 | 35373A | Conn.rod | Conn.rod | Inkl.pos. 18-19A |
| 17 | 1 | 35681 | Conn.rod assy | Conn.rod assy | Inkl.pos. 18-19A |
| 18 | 1 | 35374 | Oil dipper | Oil dipper | |
| 19 | 1 | 650908 | Bult | Bolt | |
| 19 | 1 | 650882 | Bult | Bolt | |
| 20 | 2 | 34034 | Valve lifter | Valve lifter | |
| 21 | 1 | 35375 | Kamaxel | Camshaft | |
| 22 | 1 | 33273A | Extension | Extension | |
| 23 | 1 | 650128 | Skruv | Screw | |
| 24 | 1 | 35262A | Packning | Gasket | |
| 25 | 1 | 35376 | Cover | Cover | Inkl.pos. 26-27,37 |
| 26 | 1 | 35377 | Bearing | Bearing | |
| 27 | 1 | 35319 | Oil seal | Oil seal | |
| 33 | 1 | 30699C | Governor rod | Governor rod | |
| 36 | 1 | 29642 | Retaining ring | Retaining ring | |
| 37 | 1 | 31845 | Use MAS-031845 Governor shaft | Use MAS-031845 Governor shaft | |
| 38 | 1 | 30588A | Spool | Spool | |
| 39 | 1 | 30590A | Bricka | Flat washer | |
| 40 | 1 | 29193 | Retaining ring | Retaining ring | |
| 41 | 1 | 35378 | Gear | Gear | Inkl.pos. 39 |
| 42 | 1 | 33369 | Fäste | Bracket | |
| 49 | 1 | 29916 | Clamp | Clamp | |
| 50 | 1 | 29826 | Skruv | Screw | |
| 51 | 1 | 29216 | Mutter | Nut | |
| 52 | 1 | 33454 | Governor lever | Governor lever | |
| 53 | 1 | 29918 | Bricka | Washer | |
| 54 | 1 | 650548 | Skruv | Screw | |
| 55 | 1 | 30322 | Mutter | Nut | |
| 56 | 1 | 650832 | Skruv | Screw | 43 mm |
| 57 | 7 | 650833 | Skruv | Screw | 30 mm |
| 58 | 1 | 36205 | Oil dipstick | Oil dipstick | |
| 59 | 1 | 35499 | O-ring | O-ring | |



| Utgåva Issue 43 - 2014 | | Tecumseh Hm80 Hm100 | | Tecumseh Hm80 Hm100 | |
|------------------------------|-------------------|---------------------|----------------------|----------------------|---------------------|
| Pos. Fig. | Antal Quantity | Art nr Part No | Benämning | Description | Anmärkning Notes |
| 60 | 1 | 35554 | Oljepåfyllningsrör | Oil fill tube | |
| 62 | 1 | 35540 | Clip | Clip | |
| 66 | 1 | 27878A | Exhaust valve | Exhaust valve | Inkl.pos. 70 |
| 67 | 1 | 34035 | Insugningsventil | Intake valve | Inkl.pos. 70 |
| 68 | 1 | 35862 | Valve spring cap | Valve spring cap | |
| 68 | 1 | 27882 | Valve spring cap | Valve spring cap | |
| 69 | 2 | 27881 | Valve spring | Valve spring | |
| 70 | 2 | 32581 | Valve cap | Valve cap | |
| 76 | 1 | 32589 | Kil | Key | |
| 77 | 1 | 29443 | Wire clip | Wire clip | |
| 78 | 1 | 611093 | Flywheel | Flywheel | |
| 79 | 1 | 650880 | Bricka | Washer | |
| 80 | 1 | 650881 | Mutter | Nut | |
| 81 | 2 | 650872 | Pinnbult | Mounting stud | |
| 82 | 1 | 610118 | Spark plug cover | Spark plug cover | |
| 82 | 1 | 35135 | Solid state ignition | Solid state ignition | |
| 83 | 2 | 651007 | Skruv | Screw | |
| 85 | 1 | 650873 | Skruv | Screw | |
| 86 | 1 | 611111 | Generator | Alternator coil | 18 WATT |
| 95 | 1 | 35253 | Ground wire | Ground wire | |
| 96 | 1 | 36448 | Toppackning | Head gasket | |
| 96 | 1 | 36451 | Toppackning | Head gasket | |
| 97 | 1 | 36449 | Topplöck | Cylinder Head | |
| 98 | 3 | 650694A | Skruv | Screw | 38 mm |
| 99 | 1 | 1111-9028-02 | Tändstift (J19Lm) | Spark Plug (J19Lm) | Champion J19LM |
| 99 | 1 | 9400-0225-00 | Tändstift (J19Lm) | Spark Plug (J19Lm) | Champion J19LM |
| 104 | 2 | 27896A | Packning | Gasket | |
| 105 | 1 | 28423 | Breather body | Breather body | |
| 106 | 1 | 28424 | Breather element | Breather element | |
| 107 | 1 | 28425 | Cover | Cover | |
| 108 | 1 | 35350 | Rör | Tube | |
| 109 | 2 | 650128 | Skruv | Screw | |
| 114 | 2 | 29752 | Mutter | Nut | |
| 115 | 1 | 33263 | Packning | Gasket | |
| 117 | 1 | 33877 | Intake pipe | Intake pipe | |
| 118 | 2 | 30088A | Skruv | Screw | |
| 119 | 2 | 650378 | Skruv | Screw | |
| 120 | 1 | 27915A | Packning | Gasket | |
| 121 | 1 | 34587A | Fäste | Bracket | |
| 122 | 2 | 28820 | Skruv | Screw | |
| 123 | 1 | 33377 | Fäste | Bracket | |
| 124 | 2 | 650767 | Skruv | Screw | |
| 126 | 4 | 6021A | Skruv | Screw | |
| 127 | 2 | 650691 | Bricka | Washer | |
| 127 | 5 | 650691 | Bricka | Washer | |
| 128 | 3 | 650690 | Bricka | Washer | |
| 129 | 2 | 650727 | Skruv | Screw | |
| 130 | 1 | 35447A | Blower housing | Blower housing | |
| 131 | 1 | 570682 | Primer | Primer | |



| Utgåva Issue 43 - 2014 | | Tecumseh Hm80 Hm100 | | Tecumseh Hm80 Hm100 | |
|------------------------------|-------------------|---------------------|--------------------|---------------------|-----------------------|
| Pos. Fig. | Antal Quantity | Art nr Part No | Benämning | Description | Anmärkning Notes |
| 132 | 1 | 32180C | Primerslang | Primer line | |
| 133 | 1 | 34677 | Speed control assy | Speed control assy | Inkl.pos. 134-136,138 |
| 134 | 1 | 31342 | Fjäder | Spring | |
| 135 | 1 | 650549 | Skruv | Screw | |
| 136 | 1 | 610973 | Terminal | Terminal | |
| 137 | 2 | 650821 | Skruv | Screw | |
| 138 | 1 | 34663 | Fjäder | Spring | |
| 139 | 1 | 34667 | Governor link | Governor link | |
| 140 | 1 | 33878 | Gasreglagelänk | Throttle Rod | |
| 143 | 2 | 650788 | Skruv | Screw | |
| 144 | 2 | 29747B | Skruv | Screw | |
| 145 | 1 | 33013 | Cover | Cover | |
| 146 | 1 | 650760 | Skruv | Screw | |
| 147 | 1 | 35440 | Knopp | Knob | |
| 152 | 1 | 34126 | Fäste | Bracket | |
| 153 | 1 | 28545 | Isoleringshylsa | Grommet | |
| 154 | 1 | 650760 | Skruv | Screw | |
| 155 | 1 | 35057A | Cover | Cover | |
| 156 | 2 | 28942 | Skruv | Screw | |
| 157 | 1 | 650765 | Skruv | Screw | |
| 158 | 1 | 34586 | Choke rod | Choke rod | |
| 159 | 1 | 35438 | Reglageknopp | Knob | |
| 160 | 1 | 35062 | Tändningsnyckel | Ignition Key | |
| 161 | 1 | 35305 | Ground wire | Ground wire | |
| 162 | 1 | 610973 | Terminal | Terminal | |
| 168 | 1 | 33272B | Cover | Cover | |
| 169 | 1 | 650802 | Skruv | Screw | |
| 170 | 1 | 34154 | Tank plate | Tank plate | |
| 171 | 2 | 650713 | Skruv | Screw | |
| 172 | 1 | 34155 | Tank bracket | Tank bracket | |
| 173 | 1 | 650561 | Skruv | Screw | |
| 174 | 2 | 650665 | Skruv | Screw | |
| 175 | 1 | 34156A | Fuel tank assy | Fuel tank assy | Inkl.pos. 176,178 |
| 176 | 1 | 35355 | Tank cap | Tank cap | |
| 177 | 1 | 30705 | Fuel line | Fuel line | |
| 178 | 4 | 26460 | Clamp | Clamp | |
| 179 | 1 | 35857 | Shut-off valve | Shut-off valve | |
| 180 | 1 | 29774 | Fuel line | Fuel line | |
| 187 | 1 | 35056 | Ljuddämpare | Muffler | |
| 188 | 1 | 31588 | Låsbleck | Locking plate | |
| 189 | 2 | 651002 | Skruv | Screw | |
| 194 | 1 | 35985B | Starter hub | Starter hub | |
| 196 | 4 | 29752 | Mutter | Nut | |
| 197 | 1 | 590574 | Styrplåt kpl | Starter handle | |
| 199 | 1 | 35392 | Plugg | Plug | |
| 212 | 1 | 632334A | Förgasare kpl | Carburettor Assy | |
| 212 | 1 | 632370A | Förgasare kpl | Carburettor Assy | |
| 213 | 1 | 590733 | Starter assy | Starter assy | |
| 215 | 1 | 36450 | Packningsatts | Gasket set | |





| Utgåva Issue 43 - 2014 | | Tecumseh Hm80 Hm100 | | | |
|------------------------------|-------------------|---------------------|----------------|----------------|---------------------|
| Pos. Fig. | Antal Quantity | Art nr Part No | Benämning | Description | Anmärkning Notes |
| 215 | 1 | 36452 | Packningssats | Gasket set | |
| 323 | 1 | 611118 | Connector body | Connector body | |

| code | pos. | q.ty | page | | | | | | | | | |
|--------------|------|------|-------|--------|-----|---|-------|---------|-----|---|-------|--|
| 9683-0035-02 | 89 | 4 | p. 11 | 27878A | 66 | 1 | p. 23 | 35319 | 27 | 1 | p. 21 | |
| 9699-0026-02 | 7 | 3 | p. 7 | 27881 | 69 | 2 | p. 23 | 35350 | 108 | 1 | p. 23 | |
| 9699-0026-02 | 55 | 8 | p. 15 | 27882 | 68 | 1 | p. 23 | 35355 | 176 | 1 | p. 25 | |
| 9699-0026-02 | 59 | 4 | p. 5 | 27888 | 10 | 2 | p. 21 | 35371 | 1 | 1 | p. 21 | |
| 9699-0028-02 | 3 | 32 | p. 15 | 27896A | 104 | 2 | p. 23 | 35373A | 17 | 1 | p. 21 | |
| 9699-0028-02 | 33 | 1 | p. 3 | 27915A | 120 | 1 | p. 23 | 35374 | 18 | 1 | p. 21 | |
| 9699-0029-02 | 2 | 7 | p. 3 | 28423 | 105 | 1 | p. 23 | 35375 | 21 | 1 | p. 21 | |
| 9699-0038-02 | 41 | 1 | p. 7 | 28424 | 106 | 1 | p. 23 | 35376 | 25 | 1 | p. 21 | |
| 9699-0038-02 | 47 | 1 | p. 15 | 28425 | 107 | 1 | p. 23 | 35377 | 26 | 1 | p. 21 | |
| 9699-0062-02 | 27 | 1 | p. 7 | 28545 | 153 | 1 | p. 25 | 35378 | 41 | 1 | p. 21 | |
| 9699-0115-02 | 63 | 1 | p. 7 | 28820 | 122 | 2 | p. 23 | 35385 | 1 | 1 | p. 21 | |
| 9699-0115-02 | 63 | 4 | p. 11 | 28942 | 156 | 2 | p. 25 | 35392 | 199 | 1 | p. 25 | |
| 9743-3521-32 | 13 | 4 | p. 19 | 29193 | 40 | 1 | p. 21 | 35438 | 159 | 1 | p. 25 | |
| 9743-3521-32 | 14 | 2 | p. 3 | 29216 | 51 | 1 | p. 21 | 35440 | 147 | 1 | p. 25 | |
| 9743-3521-32 | 18 | 1 | p. 7 | 29443 | 77 | 1 | p. 23 | 35447A | 130 | 1 | p. 23 | |
| 9743-3521-32 | 18 | 1 | p. 11 | 29642 | 36 | 1 | p. 21 | 35499 | 59 | 1 | p. 21 | |
| 9743-3521-32 | 42 | 2 | p. 3 | 29747B | 144 | 2 | p. 25 | 35540 | 62 | 1 | p. 23 | |
| 9743-3521-32 | 56 | 4 | p. 15 | 29752 | 114 | 2 | p. 23 | 35554 | 60 | 1 | p. 23 | |
| 9743-3521-32 | 61 | 2 | p. 5 | 29752 | 196 | 4 | p. 25 | 35681 | 17 | 1 | p. 21 | |
| 9743-3621-32 | 4 | 3 | p. 19 | 29774 | 180 | 1 | p. 25 | 35772 | 10 | 2 | p. 21 | |
| 9743-3621-32 | 25 | 1 | p. 7 | 29826 | 50 | 1 | p. 21 | 35773 | 9 | 1 | p. 21 | |
| 9743-3621-32 | 57 | 3 | p. 15 | 29916 | 49 | 1 | p. 21 | 35779 | 11 | 1 | p. 21 | |
| 9743-3721-32 | 24 | 2 | p. 7 | 29918 | 53 | 1 | p. 21 | 35857 | 179 | 1 | p. 25 | |
| 9743-3721-32 | 29 | 1 | p. 3 | 30088A | 118 | 2 | p. 23 | 35862 | 68 | 1 | p. 23 | |
| 9743-3721-32 | 35 | 1 | p. 15 | 30322 | 55 | 1 | p. 21 | 35985B | 194 | 1 | p. 25 | |
| 9743-3721-32 | 48 | 2 | p. 3 | 30588A | 38 | 1 | p. 21 | 36205 | 58 | 1 | p. 21 | |
| 9743-3721-32 | 52 | 1 | p. 11 | 30590A | 39 | 1 | p. 21 | 36245 | 8 | 1 | p. 21 | |
| 9743-3721-32 | 62 | 2 | p. 5 | 30699C | 33 | 1 | p. 21 | 36448 | 96 | 1 | p. 23 | |
| 9743-5121-02 | 27 | 8 | p. 17 | 30705 | 177 | 1 | p. 25 | 36449 | 97 | 1 | p. 23 | |
| 9743-5421-32 | 48 | 2 | p. 15 | 30968 | 3 | 1 | p. 21 | 36450 | 215 | 1 | p. 25 | |
| 9794-5131-02 | 35 | 2 | p. 3 | 30969 | 3 | 1 | p. 21 | 36451 | 96 | 1 | p. 23 | |
| 9795-3531-02 | 60 | 4 | p. 11 | 31342 | 134 | 1 | p. 25 | 36452 | 215 | 1 | p. 27 | |
| 9795-3531-02 | 73 | 1 | p. 5 | 31588 | 188 | 1 | p. 25 | 36460 | 6 | 1 | p. 21 | |
| 9795-3631-02 | 1 | 32 | p. 15 | 31845 | 37 | 1 | p. 21 | 570682 | 131 | 1 | p. 23 | |
| 9795-3631-02 | 8 | 10 | p. 3 | 32180C | 132 | 1 | p. 25 | 590574 | 197 | 1 | p. 25 | |
| 9795-3731-02 | 34 | 6 | p. 15 | 32581 | 70 | 2 | p. 23 | 590733 | 213 | 1 | p. 25 | |
| 9795-3731-02 | 45 | 2 | p. 3 | 32589 | 76 | 1 | p. 23 | 610118 | 82 | 1 | p. 23 | |
| 9795-3731-02 | 88 | 4 | p. 11 | 33013 | 145 | 1 | p. 25 | 610973 | 136 | 1 | p. 25 | |
| 9899-3622-16 | 4 | 29 | p. 15 | 33263 | 115 | 1 | p. 23 | 610973 | 162 | 1 | p. 25 | |
| 9899-3625-16 | 58 | 3 | p. 15 | 33272B | 168 | 1 | p. 25 | 611093 | 78 | 1 | p. 23 | |
| 9899-3732-16 | 86 | 1 | p. 7 | 33273A | 22 | 1 | p. 21 | 611111 | 86 | 1 | p. 23 | |
| 9987-5125-16 | 26 | 7 | p. 17 | 33369 | 42 | 1 | p. 21 | 611118 | 323 | 1 | p. 27 | |
| 9987-5145-12 | 11 | 1 | p. 17 | 33377 | 123 | 1 | p. 23 | 632334A | 212 | 1 | p. 25 | |
| 9987-5225-16 | 49 | 1 | p. 7 | 33454 | 52 | 1 | p. 21 | 632370A | 212 | 1 | p. 25 | |
| 9988-3516-16 | 38 | 1 | p. 7 | 33877 | 117 | 1 | p. 23 | 650128 | 23 | 1 | p. 21 | |
| 9988-3516-16 | 58 | 3 | p. 11 | 33878 | 140 | 1 | p. 25 | 650128 | 109 | 2 | p. 23 | |
| 9988-3516-16 | 71 | 1 | p. 11 | 34034 | 20 | 2 | p. 21 | 650378 | 119 | 2 | p. 23 | |
| 9988-3519-16 | 54 | 4 | p. 15 | 34035 | 67 | 1 | p. 23 | 650548 | 54 | 1 | p. 21 | |
| 9988-3519-16 | 60 | 2 | p. 5 | 34126 | 152 | 1 | p. 25 | 650549 | 135 | 1 | p. 25 | |
| 9988-3525-16 | 12 | 1 | p. 19 | 34154 | 170 | 1 | p. 25 | 650561 | 7 | 2 | p. 21 | |
| 9988-3545-12 | 17 | 1 | p. 7 | 34155 | 172 | 1 | p. 25 | 650561 | 173 | 1 | p. 25 | |
| 9988-3557-12 | 84 | 1 | p. 11 | 34156A | 175 | 1 | p. 25 | 650665 | 174 | 2 | p. 25 | |
| 9988-3613-16 | 8 | 1 | p. 19 | 34329A | 9 | 1 | p. 21 | 650690 | 128 | 3 | p. 23 | |
| 9988-3619-16 | 3 | 3 | p. 19 | 34332 | 11 | 1 | p. 21 | 650691 | 127 | 2 | p. 23 | |
| 9988-3619-16 | 6 | 6 | p. 3 | 34586 | 158 | 1 | p. 25 | 650691 | 127 | 5 | p. 23 | |
| 9988-3619-16 | 28 | 1 | p. 7 | 34587A | 121 | 1 | p. 23 | 650694A | 98 | 3 | p. 23 | |
| 9988-3632-16 | 2 | 4 | p. 7 | 34663 | 138 | 1 | p. 25 | 650713 | 171 | 2 | p. 25 | |
| 9988-3645-16 | 31 | 2 | p. 3 | 34667 | 139 | 1 | p. 25 | 650727 | 129 | 2 | p. 23 | |
| 9988-3719-16 | 32 | 8 | p. 15 | 34677 | 133 | 1 | p. 25 | 650760 | 146 | 1 | p. 25 | |
| 9988-3719-16 | 90 | 4 | p. 11 | 35056 | 187 | 1 | p. 25 | 650760 | 154 | 1 | p. 25 | |
| 9988-3732-12 | 21 | 1 | p. 7 | 35057A | 155 | 1 | p. 25 | 650765 | 157 | 1 | p. 25 | |
| 9988-3745-12 | 47 | 2 | p. 3 | 35062 | 160 | 1 | p. 25 | 650767 | 124 | 2 | p. 23 | |
| 9988-3764-12 | 25 | 1 | p. 3 | 35135 | 82 | 1 | p. 23 | 650788 | 143 | 2 | p. 25 | |
| 26460 | 178 | 4 | p. 25 | 35253 | 95 | 1 | p. 23 | 650802 | 169 | 1 | p. 25 | |
| 27642 | 3 | 2 | p. 21 | 35262A | 24 | 1 | p. 21 | 650820 | 2 | 2 | p. 21 | |
| 27652 | 5 | 2 | p. 21 | 35305 | 161 | 1 | p. 25 | 650821 | 137 | 2 | p. 25 | |
| | | | | 35319 | 4 | 1 | p. 21 | 650832 | 56 | 1 | p. 21 | |

| code | pos. | q.ty | page |
|-------------|-------------|-------------|-------------|
| 650833 | 57 | 7 | p. 21 |
| 650872 | 81 | 2 | p. 23 |
| 650873 | 85 | 1 | p. 23 |
| 650880 | 79 | 1 | p. 23 |
| 650881 | 80 | 1 | p. 23 |
| 650882 | 19 | 1 | p. 21 |
| 650908 | 19 | 1 | p. 21 |
| 651002 | 189 | 2 | p. 25 |
| 651007 | 83 | 2 | p. 23 |