



Reservdelskatalog Parts Catalogue

827T

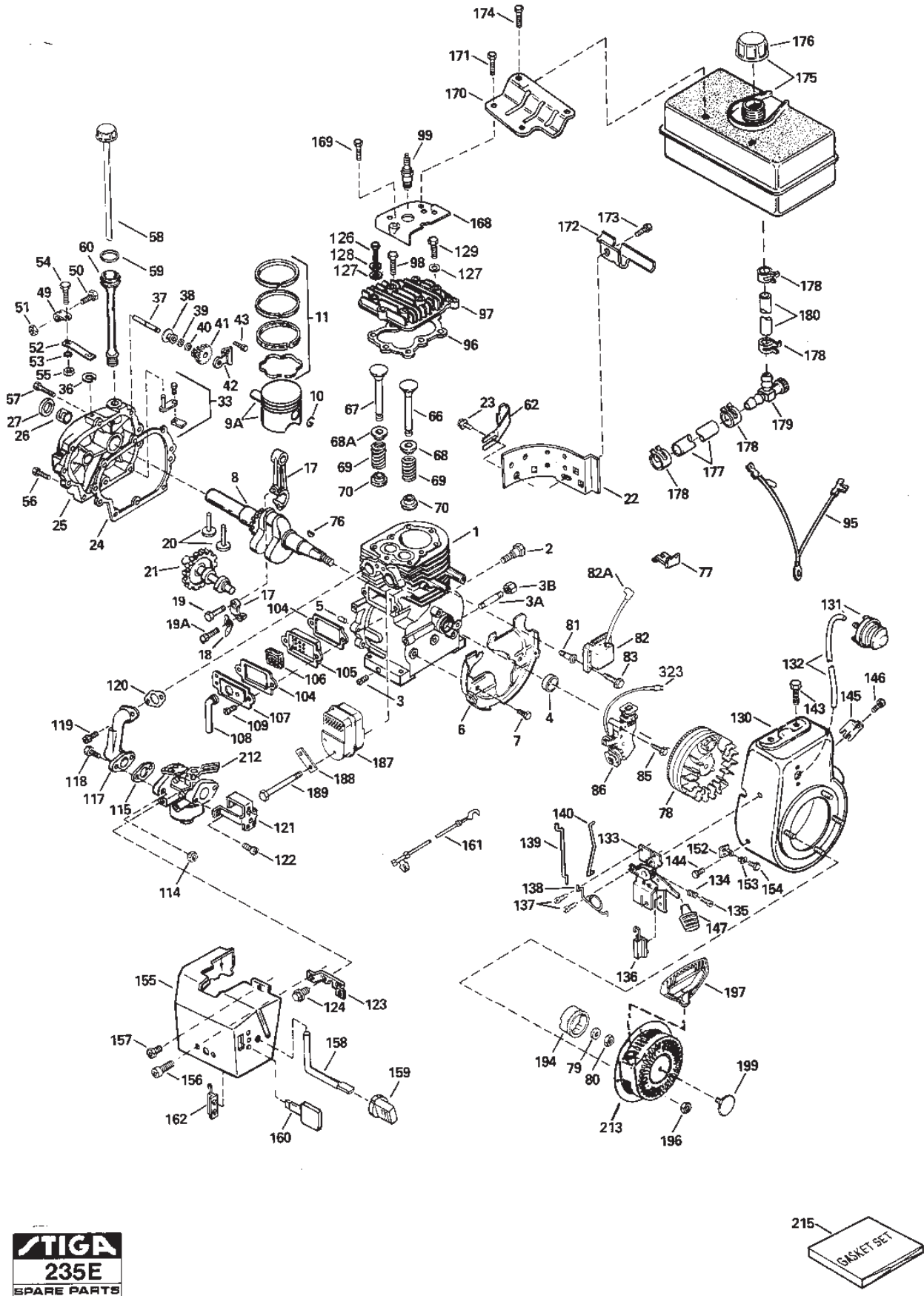
18-2835-16 - Season 1995

- Use GLOBAL GARDEN PRODUCT Genuine Spare Parts specified in the parts list for repair and/or replacement.
 - The contents described in the parts list may change due to improvement.
 - The drawings of the spare parts are only indicative and might not represent the part in question exactly.
 - The indications "right" - "left" - "front" - "rear" refer to the position of the operator when using the machine.
- When placing orders of parts for repair and/or replacement, make sure that the illustrated parts list is the one applying to the machine's year of manufacture, as shown on the identification plate attached to the machine.

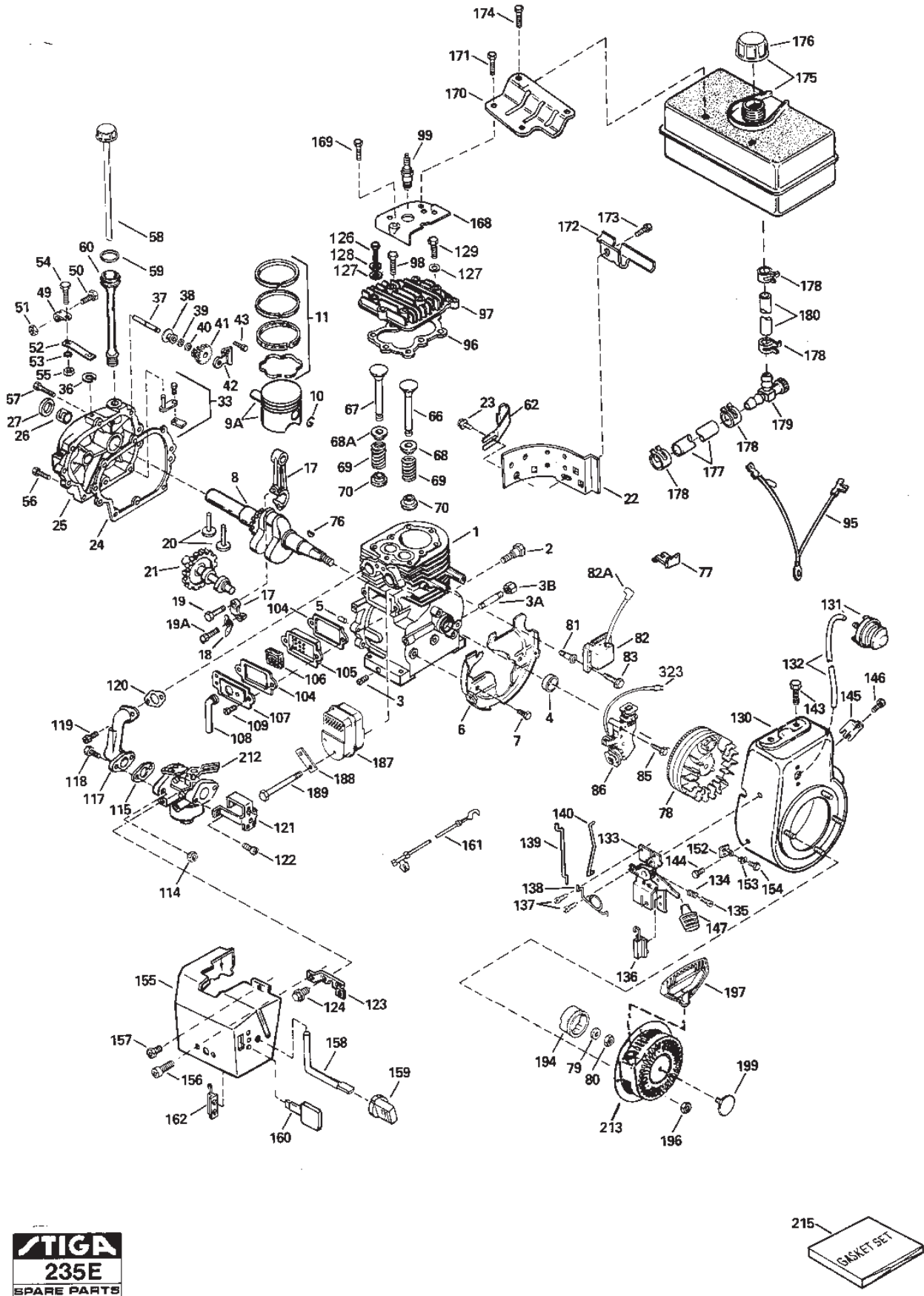
© Copyright 2014 Global Garden Products

All rights reserved. No part of this material may be reproduced or transmitted, in any form or by any means, electronic or mechanical, including photocopying, recording or by any information storage and retrieval system, without permission in writing from GLOBAL GARDEN PRODUCTS.

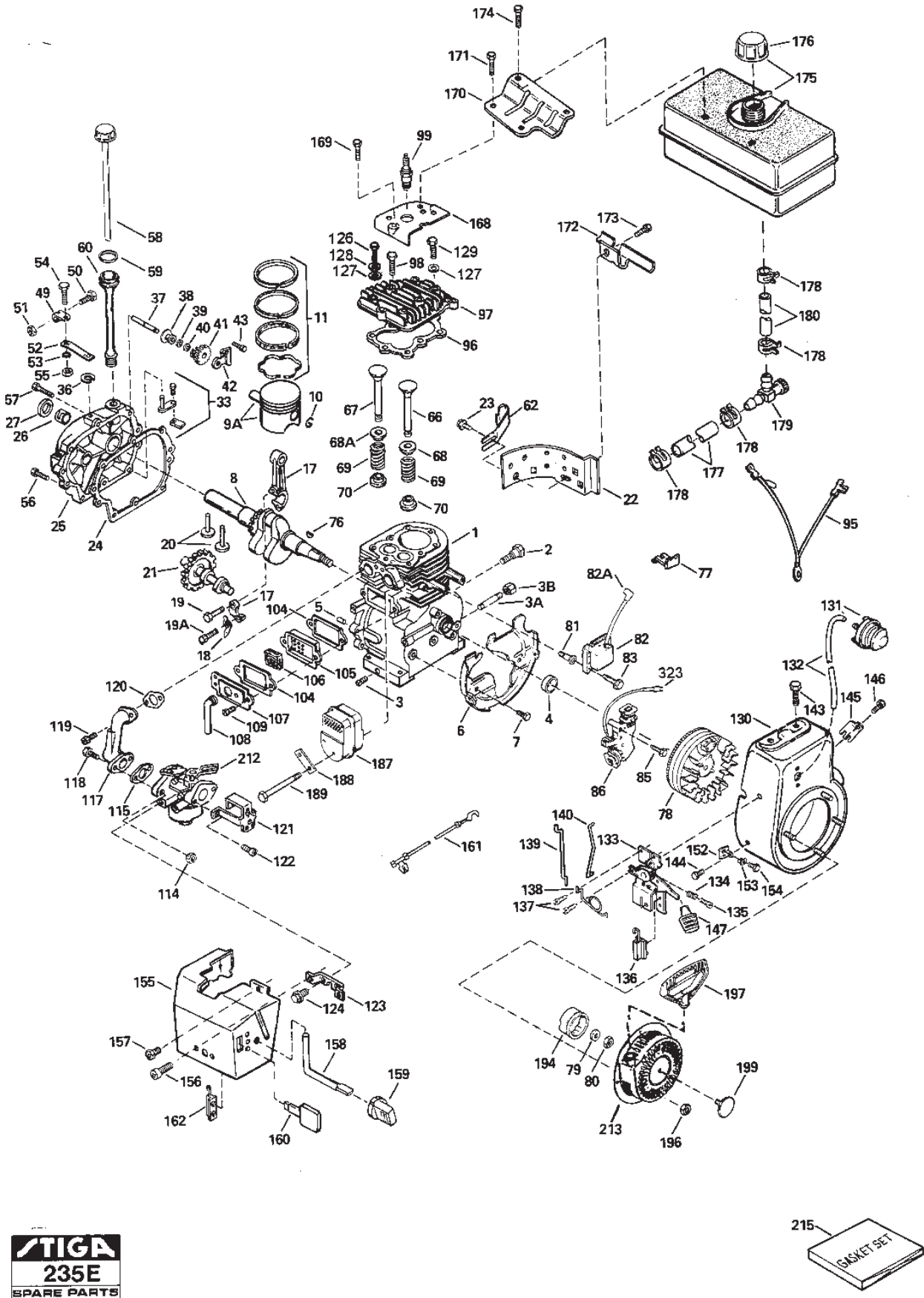
www.stiga.com



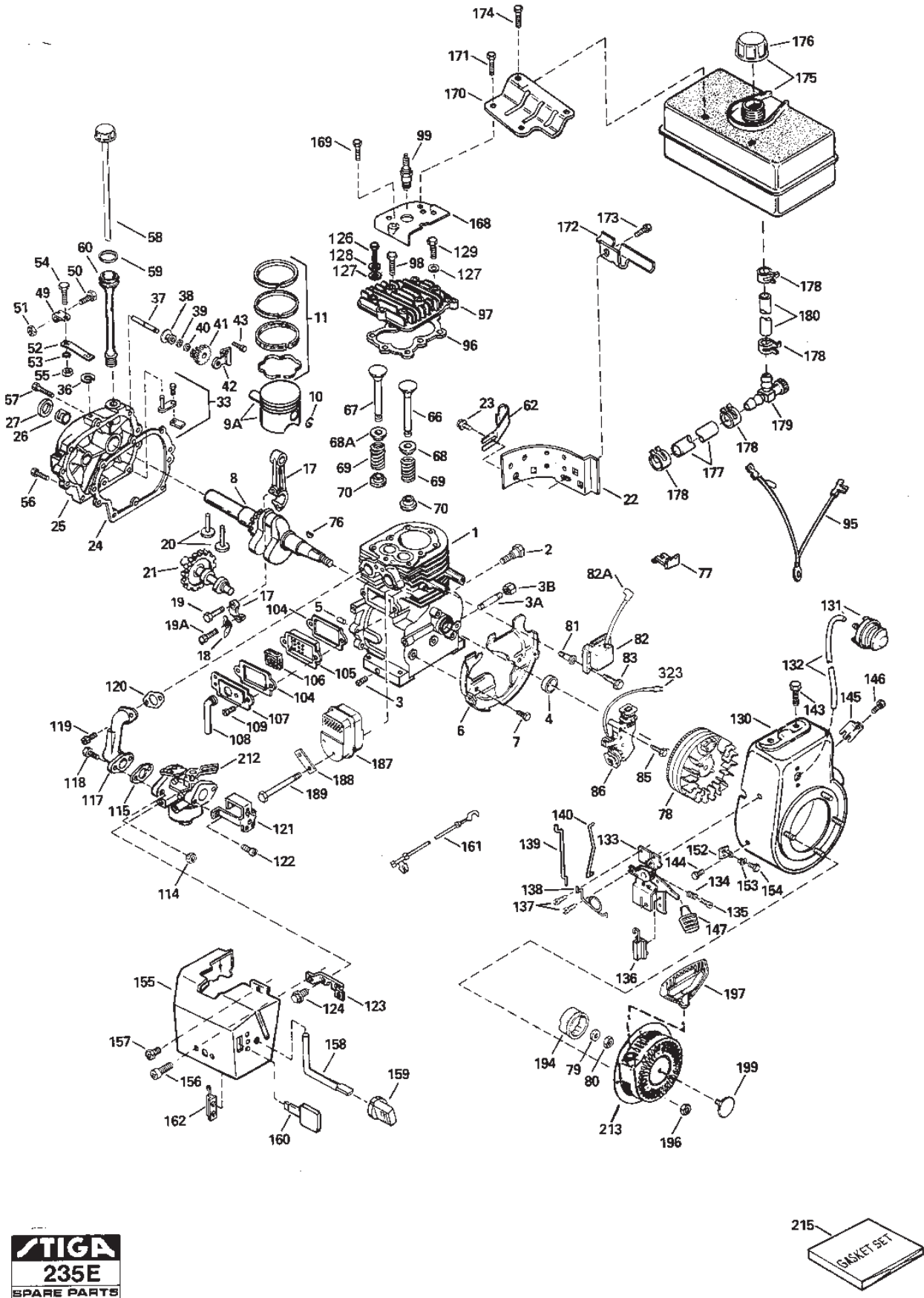
Utgåva Issue 43 - 2014		Tecumseh Hm80 Hm100		Tecumseh Hm80 Hm100	
Pos. Fig.	Antal Quantity	Art nr Part No	Benämning	Description	Anmärkning Notes
1	1	35371	Cylinder kpl	Cylinder Assy	Inkl.pos. 3,4,5
1	1	35385	Cylinder kpl	Cylinder Assy	Inkl.pos. 3,4,5
2	2	650820	Shoulder bolt	Shoulder bolt	
3	2	27642	Oil drain plug	Oil drain plug	
3	1	30968	Rör	Pipe	
3	1	30969	Cap	Cap	
4	1	35319	Oil seal	Oil seal	
5	2	27652	Styrpinne	Dowel pin	
6	1	36460	Baffle	Baffle	
7	2	650561	Skruv	Screw	
8	1	36245	Crankshaft	Crankshaft	
9	1	34329A	Kolvsprint	Piston Pin	Inkl.pos. 10
9	1	35773	Kolvsprint	Piston Pin	Inkl.pos. 10
10	2	27888	Retaining ring	Retaining ring	
10	2	35772	Retaining ring	Retaining ring	
11	1	34332	Ring set	Ring set	
11	1	35779	Ring set	Ring set	
17	1	35373A	Conn.rod	Conn.rod	Inkl.pos. 18-19A
17	1	35681	Conn.rod assy	Conn.rod assy	Inkl.pos. 18-19A
18	1	35374	Oil dipper	Oil dipper	
19	1	650908	Bult	Bolt	
19	1	650882	Bult	Bolt	
20	2	34034	Valve lifter	Valve lifter	
21	1	35375	Kamaxel	Camshaft	
22	1	33273A	Extension	Extension	
23	1	650128	Skruv	Screw	
24	1	35262A	Packning	Gasket	
25	1	35376	Cover	Cover	Inkl.pos. 26-27,37
26	1	35377	Bearing	Bearing	
27	1	35319	Oil seal	Oil seal	
33	1	30699C	Governor rod	Governor rod	
36	1	29642	Retaining ring	Retaining ring	
37	1	31845	Use MAS-031845 Governor shaft	Use MAS-031845 Governor shaft	
38	1	30588A	Spool	Spool	
39	1	30590A	Bricka	Flat washer	
40	1	29193	Retaining ring	Retaining ring	
41	1	35378	Gear	Gear	Inkl.pos. 39
42	1	33369	Fäste	Bracket	
49	1	29916	Clamp	Clamp	
50	1	29826	Skruv	Screw	
51	1	29216	Mutter	Nut	
52	1	33454	Governor lever	Governor lever	
53	1	29918	Bricka	Washer	
54	1	650548	Skruv	Screw	
55	1	30322	Mutter	Nut	
56	1	650832	Skruv	Screw	43 mm
57	7	650833	Skruv	Screw	30 mm
58	1	36205	Oil dipstick	Oil dipstick	
59	1	35499	O-ring	O-ring	



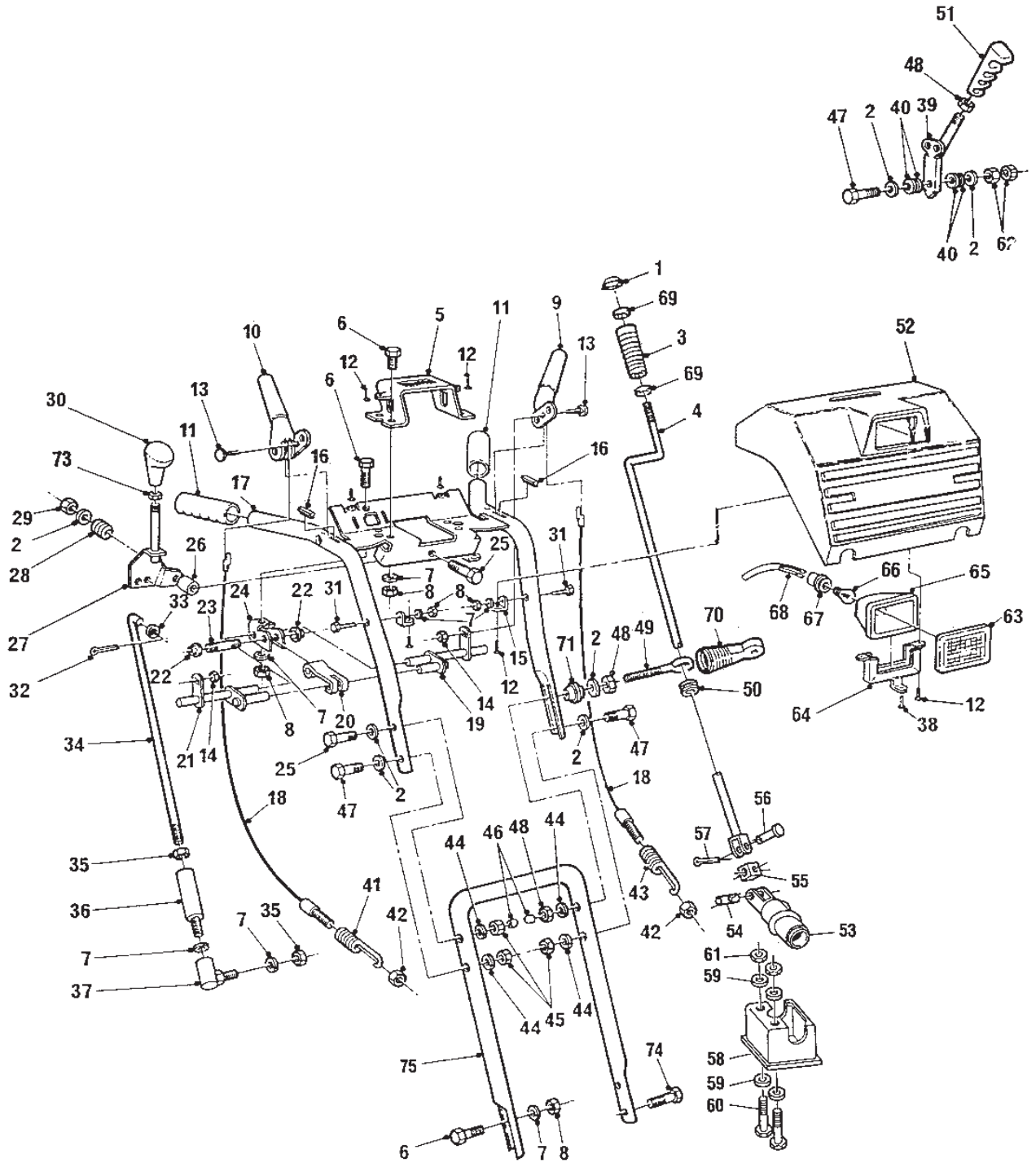
Utgåva Issue 43 - 2014		Tecumseh Hm80 Hm100		Tecumseh Hm80 Hm100	
Pos. Fig.	Antal Quantity	Art nr Part No	Benämning	Description	Anmärkning Notes
60	1	35554	Oljepåfyllningsrör	Oil fill tube	
62	1	35540	Clip	Clip	
66	1	27878A	Exhaust valve	Exhaust valve	Inkl.pos. 70
67	1	34035	Insugningsventil	Intake valve	Inkl.pos. 70
68	1	35862	Valve spring cap	Valve spring cap	
68	1	27882	Valve spring cap	Valve spring cap	
69	2	27881	Valve spring	Valve spring	
70	2	32581	Valve cap	Valve cap	
76	1	32589	Kil	Key	
77	1	29443	Wire clip	Wire clip	
78	1	611093	Flywheel	Flywheel	
79	1	650880	Bricka	Washer	
80	1	650881	Mutter	Nut	
81	2	650872	Pinnbult	Mounting stud	
82	1	610118	Spark plug cover	Spark plug cover	
82	1	35135	Solid state ignition	Solid state ignition	
83	2	651007	Skruv	Screw	
85	1	650873	Skruv	Screw	
86	1	611111	Generator	Alternator coil	18 WATT
95	1	35253	Ground wire	Ground wire	
96	1	36448	Toppackning	Head gasket	
96	1	36451	Toppackning	Head gasket	
97	1	36449	Topplöck	Cylinder Head	
98	3	650694A	Skruv	Screw	38 mm
99	1	1111-9028-02	Tändstift (J19Lm)	Spark Plug (J19Lm)	Champion J19LM
99	1	9400-0225-00	Tändstift (J19Lm)	Spark Plug (J19Lm)	Champion J19LM
104	2	27896A	Packning	Gasket	
105	1	28423	Breather body	Breather body	
106	1	28424	Breather element	Breather element	
107	1	28425	Cover	Cover	
108	1	35350	Rör	Tube	
109	2	650128	Skruv	Screw	
114	2	29752	Mutter	Nut	
115	1	33263	Packning	Gasket	
117	1	33877	Intake pipe	Intake pipe	
118	2	30088A	Skruv	Screw	
119	2	650378	Skruv	Screw	
120	1	27915A	Packning	Gasket	
121	1	34587A	Fäste	Bracket	
122	2	28820	Skruv	Screw	
123	1	33377	Fäste	Bracket	
124	2	650767	Skruv	Screw	
126	4	6021A	Skruv	Screw	
127	2	650691	Bricka	Washer	
127	5	650691	Bricka	Washer	
128	3	650690	Bricka	Washer	
129	2	650727	Skruv	Screw	
130	1	35447A	Blower housing	Blower housing	
131	1	570682	Primer	Primer	



Utgåva Issue 43 - 2014		Tecumseh Hm80 Hm100		Tecumseh Hm80 Hm100	
Pos. Fig.	Antal Quantity	Art nr Part No	Benämning	Description	Anmärkning Notes
132	1	32180C	Primerslang	Primer line	
133	1	34677	Speed control assy	Speed control assy	Inkl.pos. 134-136,138
134	1	31342	Fjäder	Spring	
135	1	650549	Skruv	Screw	
136	1	610973	Terminal	Terminal	
137	2	650821	Skruv	Screw	
138	1	34663	Fjäder	Spring	
139	1	34667	Governor link	Governor link	
140	1	33878	Gasreglagelänk	Throttle Rod	
143	2	650788	Skruv	Screw	
144	2	29747B	Skruv	Screw	
145	1	33013	Cover	Cover	
146	1	650760	Skruv	Screw	
147	1	35440	Knopp	Knob	
152	1	34126	Fäste	Bracket	
153	1	28545	Isoleringshylsa	Grommet	
154	1	650760	Skruv	Screw	
155	1	35057A	Cover	Cover	
156	2	28942	Skruv	Screw	
157	1	650765	Skruv	Screw	
158	1	34586	Choke rod	Choke rod	
159	1	35438	Reglageknopp	Knob	
160	1	35062	Tändningsnyckel	Ignition Key	
161	1	35305	Ground wire	Ground wire	
162	1	610973	Terminal	Terminal	
168	1	33272B	Cover	Cover	
169	1	650802	Skruv	Screw	
170	1	34154	Tank plate	Tank plate	
171	2	650713	Skruv	Screw	
172	1	34155	Tank bracket	Tank bracket	
173	1	650561	Skruv	Screw	
174	2	650665	Skruv	Screw	
175	1	34156A	Fuel tank assy	Fuel tank assy	Inkl.pos. 176,178
176	1	35355	Tank cap	Tank cap	
177	1	30705	Fuel line	Fuel line	
178	4	26460	Clamp	Clamp	
179	1	35857	Shut-off valve	Shut-off valve	
180	1	29774	Fuel line	Fuel line	
187	1	35056	Ljuddämpare	Muffler	
188	1	31588	Låsbleck	Locking plate	
189	2	651002	Skruv	Screw	
194	1	35985B	Starter hub	Starter hub	
196	4	29752	Mutter	Nut	
197	1	590574	Styrplåt kpl	Starter handle	
199	1	35392	Plugg	Plug	
212	1	632334A	Förgasare kpl	Carburettor Assy	
212	1	632370A	Förgasare kpl	Carburettor Assy	
213	1	590733	Starter assy	Starter assy	
215	1	36450	Packningsatts	Gasket set	

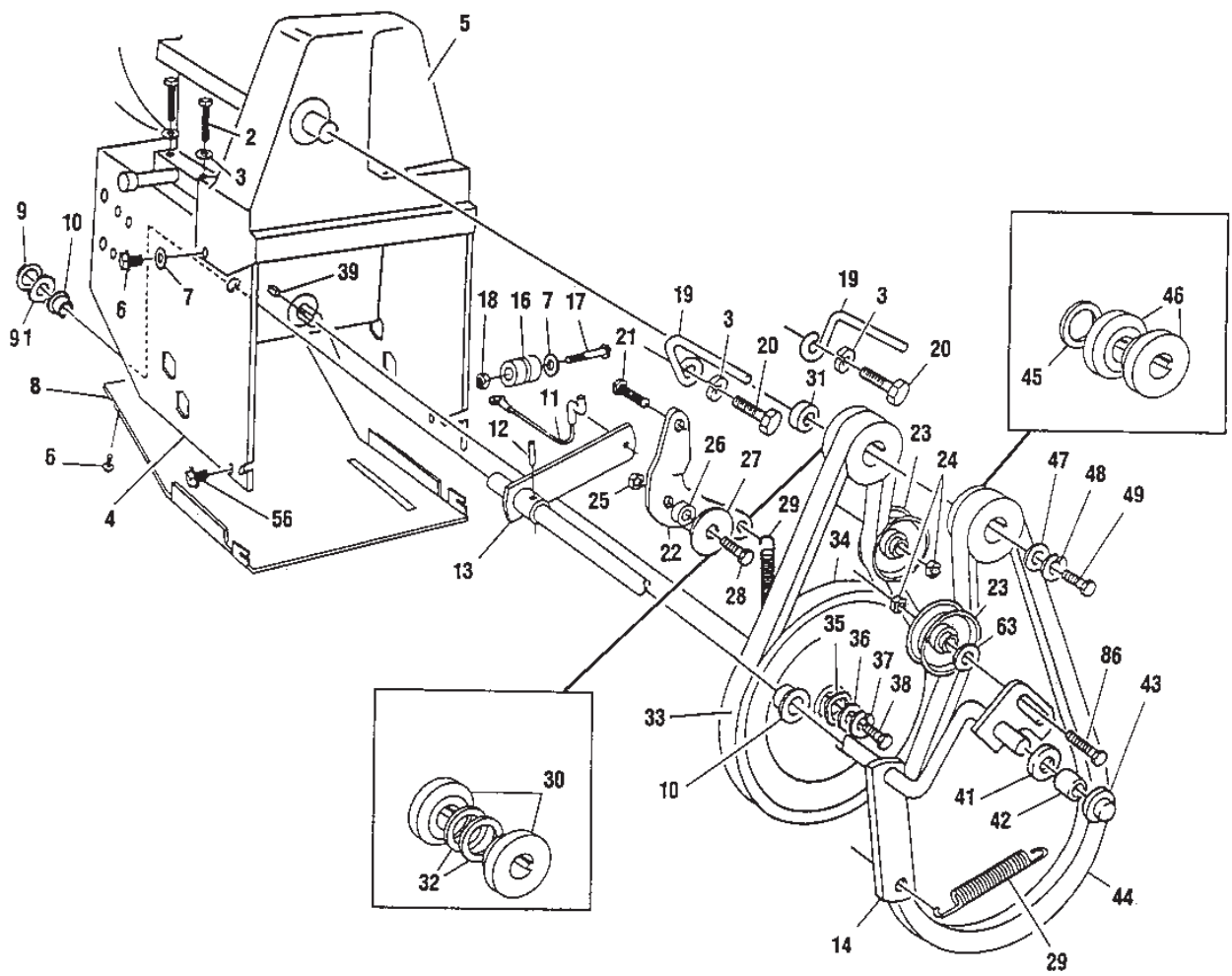


Utgåva Issue 43 - 2014		Tecumseh Hm80 Hm100			
Pos. Fig.	Antal Quantity	Art nr Part No	Benämning	Description	Anmärkning Notes
215	1	36452	Packningssats	Gasket set	
323	1	611118	Connector body	Connector body	

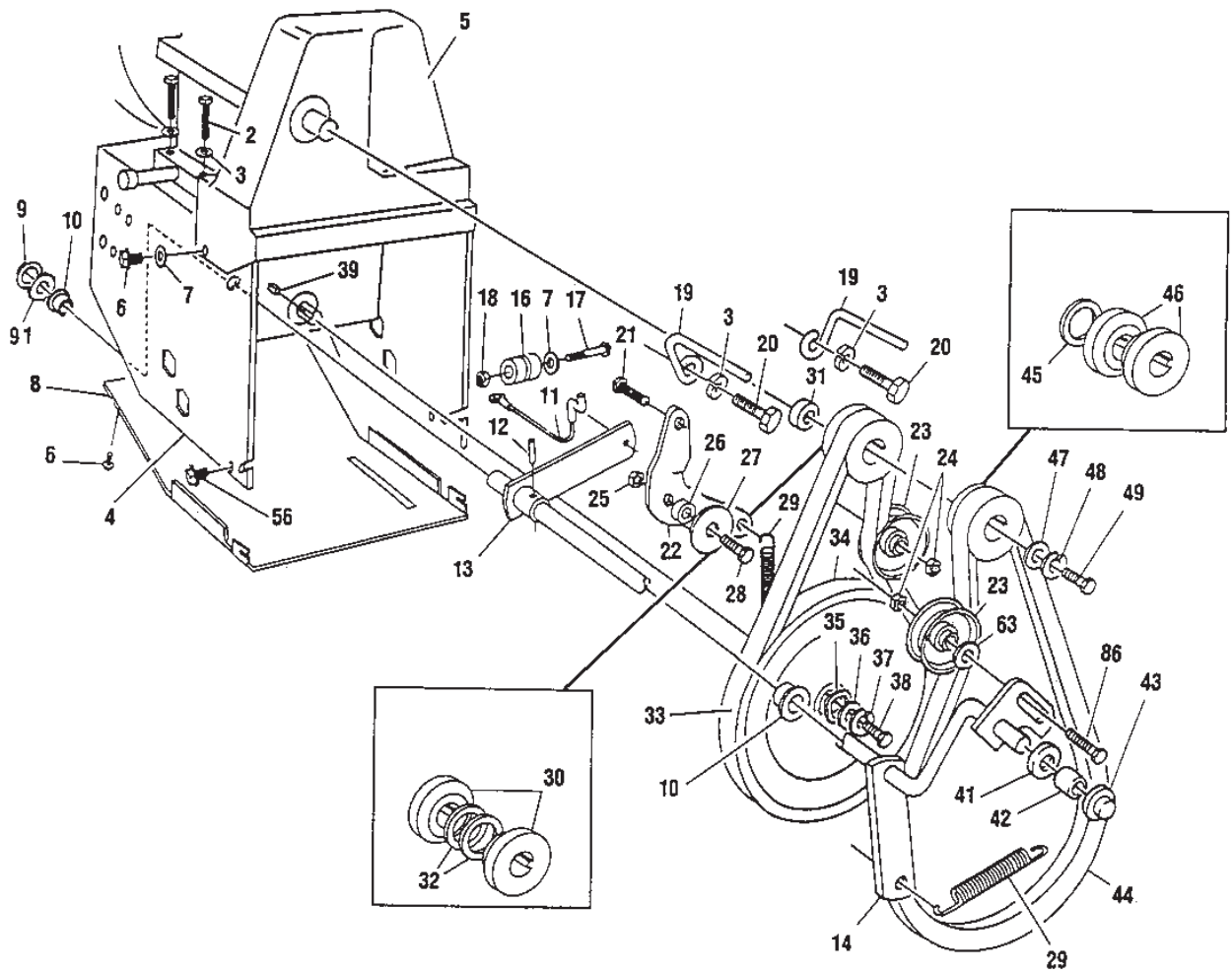


Utgåva Issue 43 - 2014		Styre Reglage		Handle Controls	
Pos. Fig.	Antal Quantity	Art nr Part No	Benämning	Description	Anmärkning Notes
1	1	1812-1183-01	Låsning	Cap Retainer	
2	7	9699-0029-02	Bricka	Washer	
3	1	1812-1168-01	Handtag	Handle	
4	1	1812-1339-01	Inställningsvev	Crank	
5	1	1812-1184-01	Växellägesplåt	Bracket Shifter	
6	6	9988-3619-16	Skruv	Screw	
7	10	9683-0030-02	Bricka	Washer	
8	10	9795-3631-02	Mutter	Nut	
9	1	1812-1297-01	Kopplingshandtag-vä	Clutch Handle, Left	
10	1	1812-1298-01	Kopplingshandtag-hö	Clutch Handle, Right	
11	2	1812-0955-01	Handtag	Handle Grip	
12	8	1812-0733-01	Skruv	Screw	
13	2	1812-0821-01	Skruv	Carriage Bolt	
14	2	9743-3521-32	Mutter	Nut	
15	2	1812-1186-01	Panelfäste	Bracket Panel Retainer	
16	2	1812-0520-01	Skydd	Protection	
17	1	1812-1194-01	Styre-överdel Däck-överdel	Handle Upper Handle, Upper Part	
18	2	1812-0249-01	Reglagewire (817 Mm)	Wire (817 Mm)	
19	1	1812-1189-01	Spärrstång Vä	Bail Rod L.H.	
20	1	1812-0834-01	Låsfjäder	Cam Lock Spring	
21	1	1812-1188-01	Spärrstång Hö Spärrstång Vä	Rod Bail Rod R.H.	
22	2	1812-0396-01	Låsning	Retainer	
23	1	1812-1280-01	Sprint	Pin Latch	
24	1	1812-1185-01	Fäste	Bracket Cam Retainer	
25	1	9988-3764-12	Skruv	Screw	
26	1	1812-1193-01	Distans	Spacer	
27	1	1812-1249-01	Actuator shift	Actuator shift	
28	1	1812-0304-01	Fjäder	Spring	
29	1	9743-3721-32	Mutter	Nut	
30	1	1812-1293-01	Reglageknopp	Knob	
31	2	9988-3645-16	Skruv	Screw	
32	1	9599-0054-02	SaxSprint	Split Pin	
33	1	9699-0028-02	Bricka	Washer	
34	1	1812-1242-01	Växlestång	Rod Speed Control	
35	2	9794-5131-02	Mutter	Nut	
36	1	1812-0622-01	Skruvhylsa	Adaptor	
37	1	1812-0303-01	Kulled	Ball Joint	
38	1	1812-1159-01	Skruv	Screw	
39	1	1812-1192-01	Inställningsspak	Lever	
40	4	1812-0660-01	Fjäderbricka Bricka	Spring Washer Elastic Washer	
41	1	1812-0254-01	Fjäder	Spring	
42	2	9743-3521-32	Mutter	Nut	
43	1	1812-1210-01	Fjäder	Spring	
44	4	9683-0035-02	Bricka	Washer	
45	2	9795-3731-02	Mutter	Nut	
46	2	1812-0830-01	Plastknopp	Plastic Stop	
47	2	9988-3745-12	Skruv	Screw	
48	2	9743-3721-32	Mutter	Nut	
49	1	1812-0394-01	Öglebult	Eyebolt	

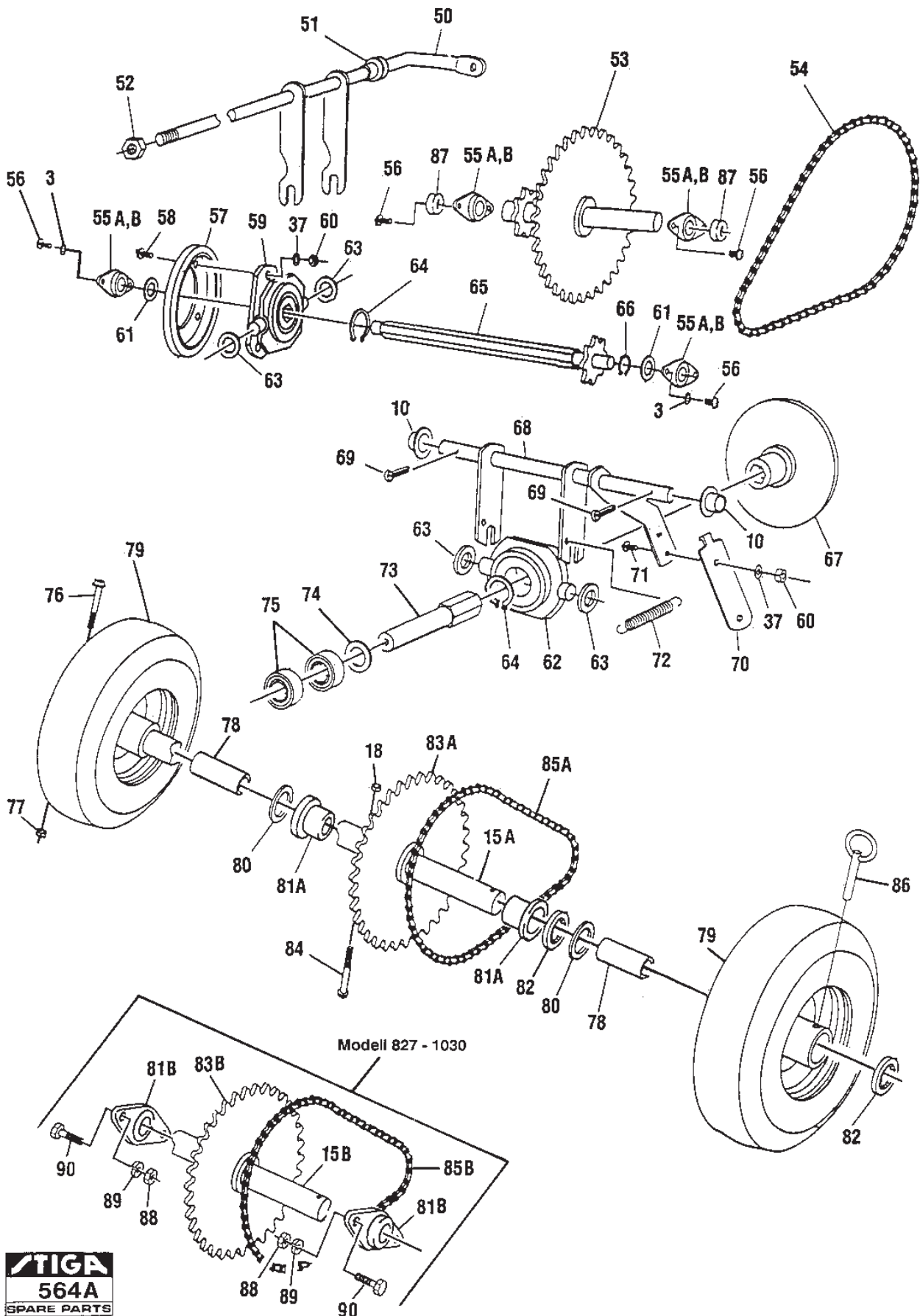
Utgåva Issue 43 - 2014		Styre Reglage		Handle Controls	
Pos. Fig.	Antal Quantity	Art nr Part No	Benämning	Description	Anmärkning Notes
50	1	1812-0203-01	Bussning	Bushing	
51	1	1133-0650-01	Handtag	Handle	
52	1	1812-1294-01	Reglagepanel	Control Panel	
53	1	1812-1335-01	Snäckskruv	Chute Rotate Worm	
54	1	1812-1316-01	Axel	Universal Pin	
55	1	1812-1317-01	LedkMutter	Universal Housing	
56	1	1812-1318-01	Sprint	Clevis Pin	
57	1	9599-0033-00	Saxsprint	Split Pin	
58	1	1812-1334-01	Fäste-Snäckskruv	Chute Worm Bracket	
59	4	9699-0026-02	Bricka	Washer	
60	2	9988-3519-16	Skruv	Screw	
61	2	9743-3521-32	Mutter	Nut	
62	2	9743-3721-32	Mutter	Nut	
63	1	1812-1195-01	Strålkastarlins	Lens Cover	
64	1	1812-1187-01	Lampfäste	Bracket Light	
65	1	1812-1196-01	Strålkastarhus	Housing Light	
66	1	1812-1245-01	Giödlampa	Light Bulb	
67	1	1812-1197-01	Lamphållare	Lamp holder	
68	1	1812-1169-01	Kabelhärva	Wiring harness	
69	2	1812-1171-01	Bricka	Washer	
70	1	1812-1170-01	Hylsa-öglebult	Boot Eye Bolt Boot-eye bolt	
71	1	1812-1172-01	Adapter	Adaptor Boot Boot adaptor	
73	1	9795-3531-02	Mutter	Nut	
74	2	1812-0385-01	Skruv	Screw	
75	1	1812-0553-01	Däck-underdel Styre-underdel	Handle Lower Part	



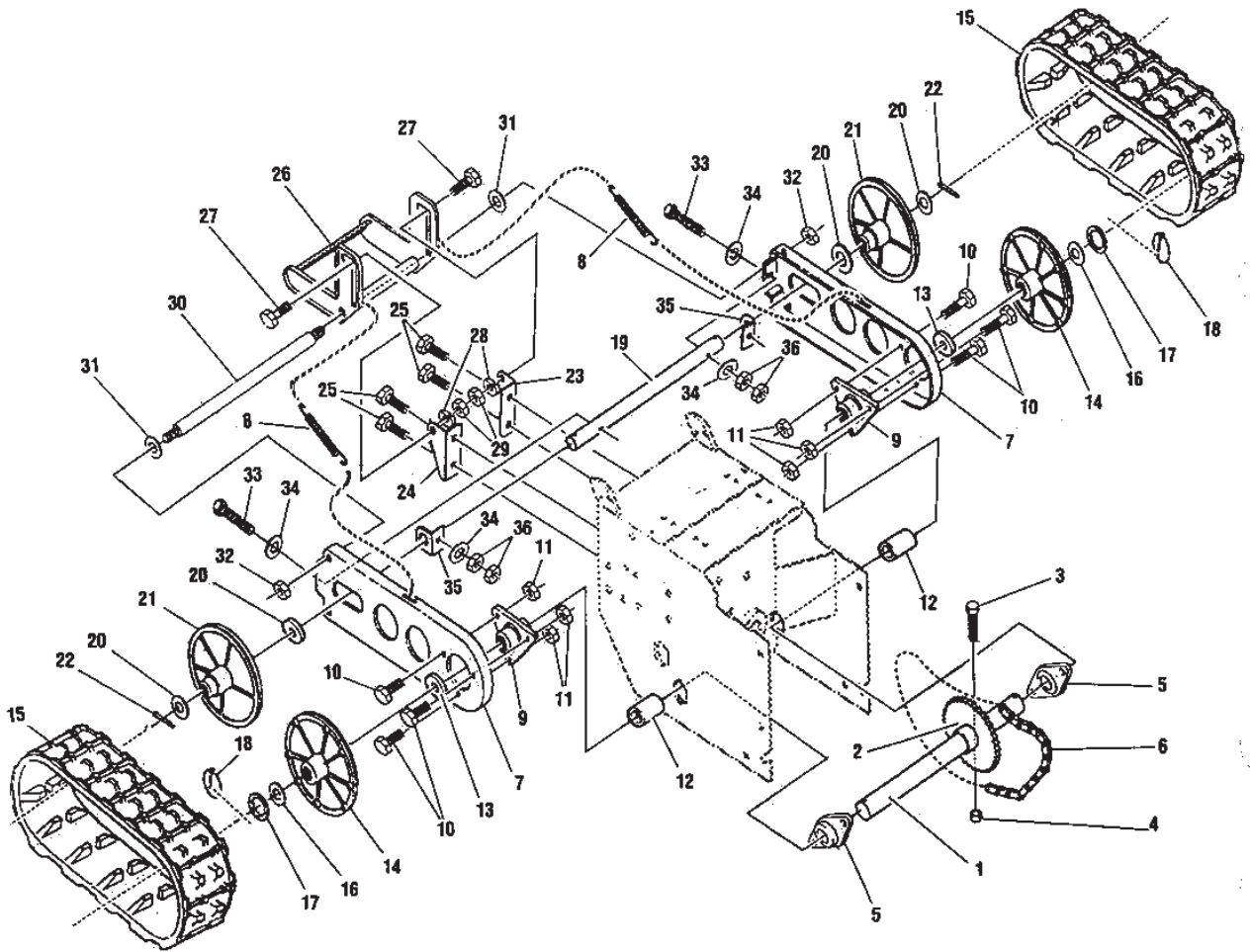
Utgåva Issue 43 - 2014		Remtransmission		Belt Transmission	
Pos. Fig.	Antal Quantity	Art nr Part No	Benämning	Description	Anmärkning Notes
2	4	9988-3632-16	Skruv	Screw	
3	6	9683-0030-02	Bricka	Washer	
4	1	1812-1300-01	Chassi	Motor Mount	
5	1	1812-1228-01	Remskydd	Belt Cover	
6	4	1812-0384-01	Skruv	Screw	
7	3	9699-0026-02	Bricka	Washer	
8	1	1812-1320-01	Bottenplåt	Bottom Panel	
9	1	1812-0404-01	Låsning	Retainer	
10	2	1812-0328-01	Bussning	Bushing	
11	1	1812-1203-01	Wire	Cable Eye Lever	
12	1	1812-0401-01	Stift	Pin	
13	1	1812-1212-01	Spännarm	Auger Clutch Cable Lever	
14	1	1812-1290-01	Spännarm	Auger Clutch Assy	
16	1	1812-1205-01	Spole	Spool	
17	1	9988-3545-12	Skruv	Screw	
18	1	9743-3521-32	Mutter	Nut	
19	2	1812-0533-01	Remstyrning	Belt Guide	
20	2	1812-1128-01	Bult	Bolt	
21	1	9988-3732-12	Skruv	Screw	
22	1	1812-1211-01	Spännarm	Idler Lever	
23	2	1812-0305-01	Spännrulle	Tension Roller	
24	2	9743-3721-32	Mutter	Nut	
25	1	9743-3621-32	Mutter	Nut	
26	1	1812-1208-01	Bussning	Bushing	
27	1	9699-0062-02	Bricka	Washer	
28	1	9988-3619-16	Skruv	Screw	
29	2	1812-0329-01	Fjäder	Spring	
30	2	1812-1201-01	Motorremskiva	Traction Pulley	
31	1	1812-1202-01	Bricka	Washer	
32	2	1812-1206-01	Distans	Spacer	
33	1	1812-9016-01	Kilrem	V-Belt	
34	1	1812-1236-01	Remskiva	Traction Pulley	
35	1	1812-1237-01	Bricka	Wave Washer	
36	1	1812-1190-01	Bricka	Flat washer	
37	1	9683-0025-02	Bricka	Washer	
38	1	9988-3516-16	Skruv	Screw	
39	1	1812-1239-01	Kil	Square Key	
41	1	9699-0038-02	Bricka	Washer	
42	1	1812-1289-01	Bussning	Bushing	
43	1	1812-0404-01	Låsning	Retainer	
44	1	1812-9021-01	Drivrem	Belt	
45	1	1812-1350-01	Distans	Spacer	
46	2	1812-1351-01	Motorremskiva	Engine Pulley	
47	1	1812-0283-01	Bricka	Washer	
48	1	9683-0035-02	Bricka	Washer	
49	1	9987-5225-16	Skruv	Screw	
56	2	1812-0385-01	Skruv	Screw	
63	1	9699-0115-02	Bricka	Washer	
86	1	9899-3732-16	Skruv	Screw	



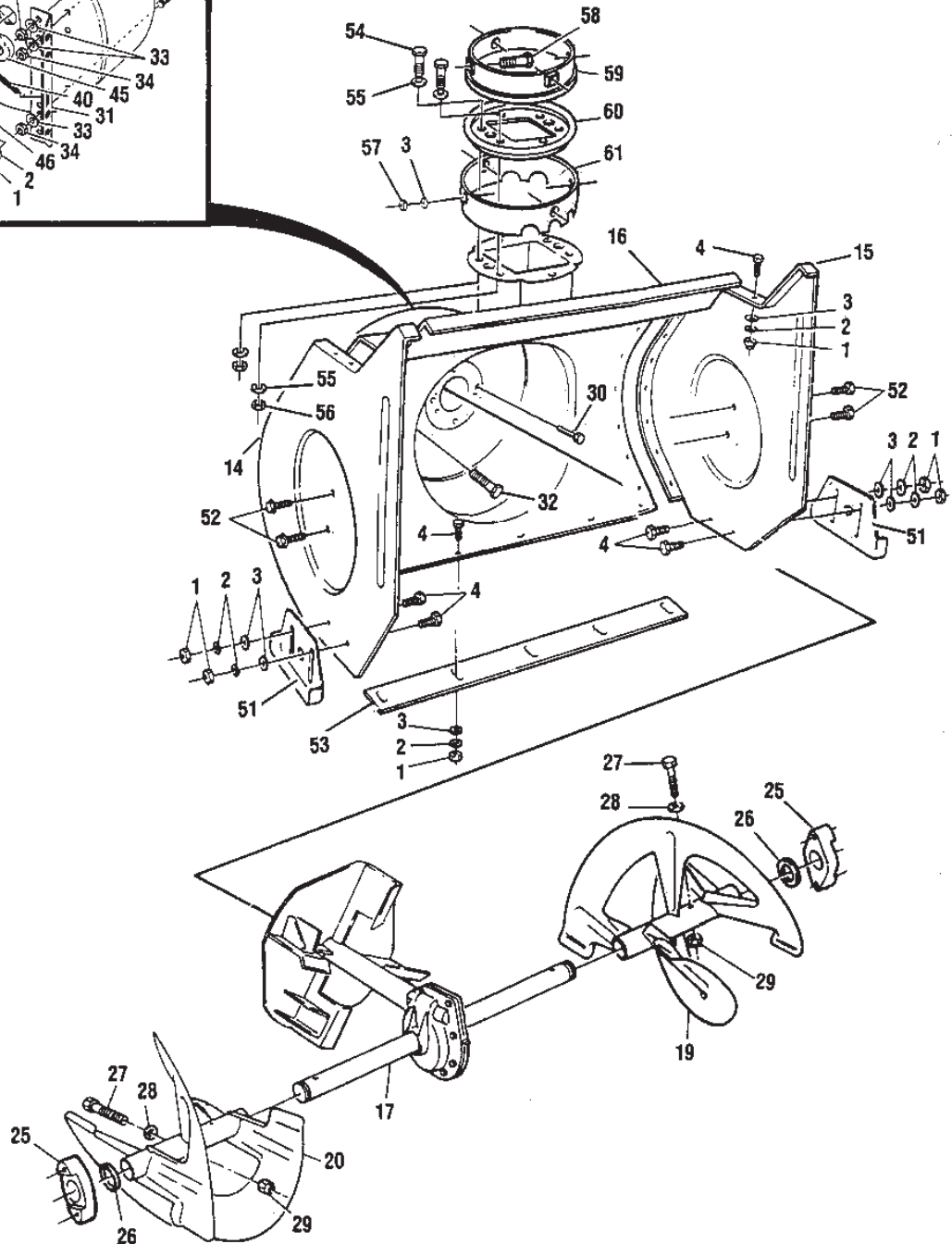
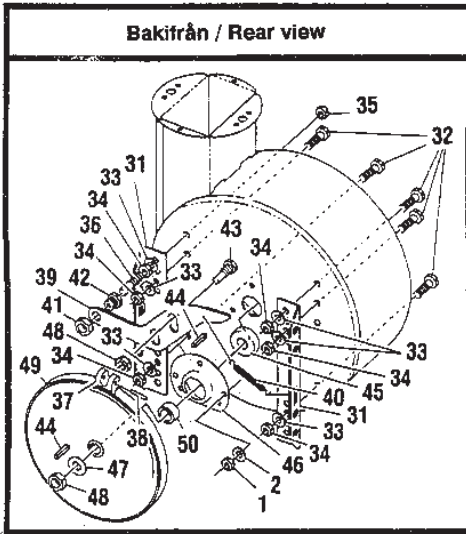
Utgåva Issue 43 - 2014		Remtransmission				Belt Transmission
Pos. Fig.	Antal Quantity	Art nr Part No	Benämning	Description	Anmärkning Notes	
99	1	1812-1348-01	Ljuddämparskydd	Muffler Guard	Ej ill/not ill.	



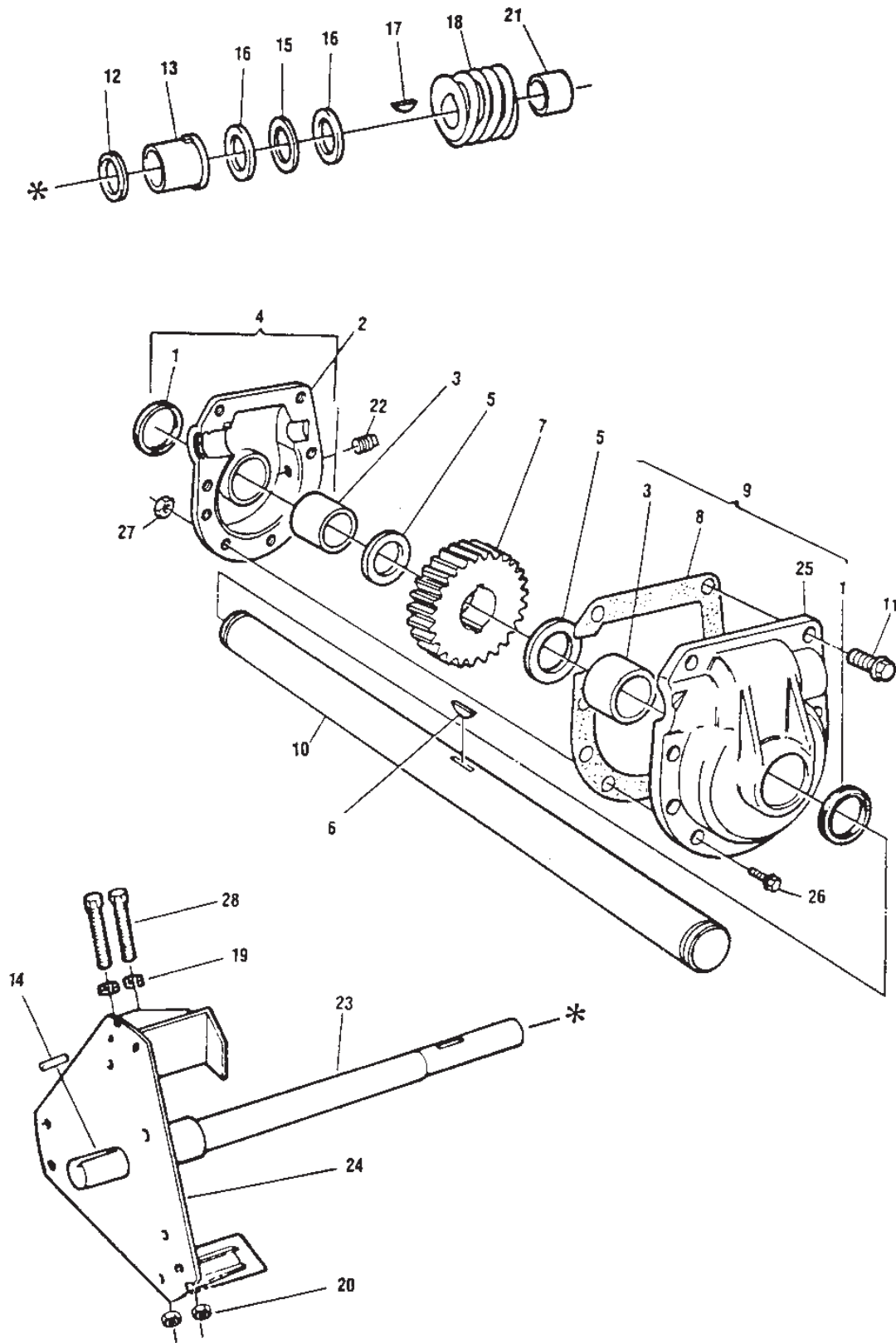
Utgåva Issue 43 - 2014		Framdrivning Drive Train			
Pos. Fig.	Antal Quantity	Art nr Part No	Benämning	Description	Anmärkning Notes
3	4	9683-0030-02	Bricka	Washer	
10	2	1812-0328-01	Bussning	Bushing	
37	4	9683-0025-02	Bricka	Washer	
50	1	1812-1248-01	Speed select lever	Speed select lever	
51	1	1812-1219-01	Plastbussning	Plastic Bushing	
52	1	9743-3721-32	Mutter	Nut	
53	1	1812-1214-01	Jack shaft	Jack shaft	Ø 12 mm
54	1	1812-1209-01	Kedja	Chain Roller	
55	2	1812-1200-01	Lagerhållare	Bearing Retainer	
55	2	1812-1178-01	Glidlager m.hållare	Bearing & Retainer	
56	8	1812-0385-01	Skruv	Screw	
57	1	1812-9002-01	Friktionshjul	Friction Disc	
58	3	9988-3516-16	Skruv	Screw	
59	1	1812-1313-01	Lager	Trunion Bearing	
60	4	9795-3531-02	Mutter	Nut	
61	2	1812-1204-01	Bricka	Washer	
62	1	1812-0450-01	Bärlager	Bearing	
63	4	9699-0115-02	Bricka	Washer	
64	2	1812-0402-01	Låsring	Retaining Ring	
66	1	1812-1164-01	Låsring	Retainer Ring	
67	1	1812-1269-01	Friktionshjul	Friction Disc	
68	1	1812-1218-01	Traction shaft	Traction shaft	
69	2	9599-0073-02	Saxsprint	Split Pin	
70	1	1812-1217-01	Fjäderarm	Traction Spring Lever	
71	1	9988-3516-16	Skruv	Screw	
72	1	1812-0364-01	Fjäder	Spring	
73	1	1812-1262-01	Axel	Traction Hex Shaft	
74	1	1812-1238-01	Bricka	Washer	
75	2	1812-1229-01	Kullager	Ball Bearing	
87	2	1812-1207-01	Kullager	Ball Bearing	



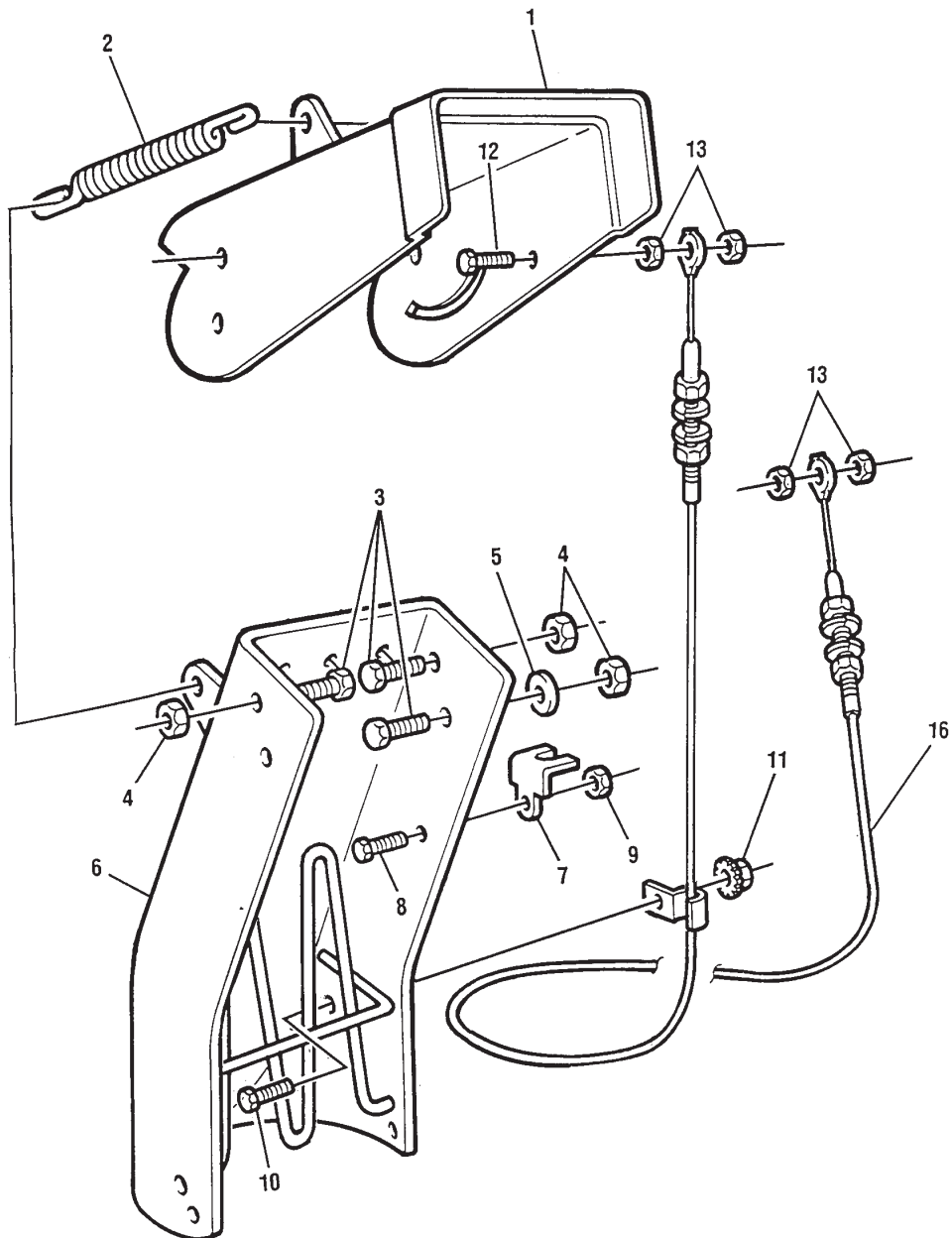
Utgåva Issue 43 - 2014		Banddrivning		Track Drive Unit	
Pos. Fig.	Antal Quantity	Art nr Part No	Benämning	Description	Anmärkning Notes
1	1	1812-1347-01	Axle shaft	Axle shaft	
2	1	1812-1216-01	Kedjedrev	Sprocket	28T
3	1	9988-3557-12	Skruv	Screw	
4	1	9743-3521-32	Mutter	Nut	
5	2	1812-0820-01	Lager	Bearing	
6	1	1812-1209-01	Kedja	Chain Roller	
7	2	1812-1223-01	Stödplåt	Plate Track Drive	
8	2	1812-0321-01	Fjäder	Spring	
9	2	1812-1240-01	Bearing	Bearing	
10	6	9988-3519-16	Skruv	Screw	
11	6	9727-3541-22	Mutter	Nut	
12	2	1812-1283-01	Plastdistans	Spacer	
13	2	1812-0665-01	Bricka	Washer	
14	2	1812-1174-01	Drivhjul-band	Sprocket Track Drive	
15	2	1812-1241-01	Drivband	Track	
16	2	1812-0407-01	Bricka	Washer	
17	2	1812-0567-01	Låsning Bricka	Retainer ring Washer	
18	2	1812-0408-01	Låssprint	Clik Pin	
19	1	1812-1230-01	Axel Axel	Shaft	
20	6	1812-1199-01	Planbricka	Flat washer	
21	2	1812-1175-01	Bandhjul	Idler shaft wheel	
22	2	1812-0939-01	LåsSprint	Self Locking Pin	
23	1	1812-1227-01	Bracket-L.H.	Bracket-L.H.	
24	1	1812-1226-01	Bracket-R.H.	Bracket-R.H.	
25	4	1812-0384-01	Skruv	Screw	
26	1	1812-1225-01	Pedal	Pedal Weight Transfer	
27	2	1812-0603-01	Bult	Bolt	
28	2	9683-0030-02	Bricka	Washer	
29	2	9795-3631-02	Mutter	Nut	
30	1	1812-1224-01	Pedalaxel	Foot pedal shaft	
31	2	9699-0029-02	Bricka	Washer	
32	2	9743-3721-32	Mutter	Nut	
33	2	1812-0907-01	Bult	Bolt	
34	2	9699-0026-02	Bricka	Washer	
35	2	1812-1222-01	Vinkelfäste	Bracket Track Tensioner	
36	4	9795-3531-02	Mutter	Nut	



Utgåva Issue 43 - 2014		Slungenhet Auger Assy			
Pos. Fig.	Antal Quantity	Art nr Part No	Benämning	Description	Anmärkning Notes
1	32	9795-3631-02	Mutter	Nut	
2	32	9683-0030-02	Bricka	Washer	
3	32	9699-0028-02	Bricka	Washer	
4	29	9899-3622-16	Skruv	Screw	
14	1	1812-0869-01	Sidoplåt Hö	Side Plate R.H	
15	1	1812-0868-01	Sidoplåt Vä	Side Plate L.H	
16	1	1812-1282-01	Auger housing	Auger housing	
17	1	1812-1278-01	Snäckväxel kpl	Gear Box Assy	
19	1	1812-1274-01	Snöskruv-vä	Auger L.H.	
20	1	1812-1275-01	Snöskruv-hö	Auger R.H.	
25	2	1812-0347-01	Lager	Bearing	
26	2	1812-0397-01	Distans	Spacer	
27	1	1812-9005-01	Brytbultsats	Shear Bolt Kit	Inkl.pos. 28, 29
28	2	1812-0531-01	Distans	Spacer	
29	2	1812-0812-01	Mutter	Nut	
30	3	1812-1221-01	Hårnålssprintbult	Impeller Stud	
31	2	1812-1176-01	Fäststag	Mounting Bracket	
32	8	9988-3719-16	Skruv	Screw	
33	6	9683-0035-02	Bricka	Washer	
34	6	9795-3731-02	Mutter	Nut	
35	1	9743-3721-32	Mutter	Nut	
36	1	1812-1288-01	Hårnålssprintbult	Brake Arm Stud	
37	1	1812-1244-01	Bromsbelägg	Brake Pad	
38	1	1812-0401-01	Stift	Pin	
39	1	1812-1286-01	Bromsarm	Brake Arm	
40	1	1812-1162-01	Return spring	Return spring	
41	1	1812-1344-01	Låsmutter	Nut	
42	1	1812-1287-01	Pivotbult	Brake Arm Pivot Bolt	
43	1	1812-1285-01	Justerskruv	Brake Arm Adj.Bolt	
44	1	1812-1167-01	Kil	Key	
45	1	1812-1229-01	Kullager	Ball Bearing	
46	1	1812-1250-01	Lagerhållare	Retainer Bearing	
47	1	9699-0038-02	Bricka	Washer	
48	2	9743-5421-32	Mutter	Nut	
49	1	1812-1261-01	Remskiva	Auger Pulley	
50	1	1812-1265-01	Distans	Spacer impeller	
51	2	1812-0831-01	Släpsko	Height Adjustor	
52	4	1812-0387-01	Skruv	Screw	
53	1	1812-1258-01	Skrapskär	Scraper Bar 27	
54	4	9988-3519-16	Skruv	Screw	
55	8	9699-0026-02	Bricka	Washer	
56	4	9743-3521-32	Mutter	Nut	
57	3	9743-3621-32	Mutter	Nut	
58	3	9899-3625-16	Skruv	Screw	
59	1	1812-1333-01	Utkastring-Inre	Chute Rotate Ring-Inner	
60	1	1812-1336-01	Utkastring-Platta	Chute Rotate Collar	
61	1	1812-1332-01	Utkastring-Yttre	Chute Rotate Ring-Outer	



Utgåva Issue 43 - 2014		Snäckväxel Auger Gear Box			
Pos. Fig.	Antal Quantity	Art nr Part No	Benämning	Description	Anmärkning Notes
0	1	1812-1278-01	Snäckväxel kpl	Gear Box Assy	
0	1	1812-1278-01	Snäckväxel kpl	Gear Box Assy	
1	2	1812-0344-01	Tätningring	Ring	
3	2	1812-0343-01	Lager	Bearing	
4	1	1812-0227-01	Snäckväxelhus-vä	Gear case-LH Gear Housing, Left	Inkl.pos. 1,2,3
5	2	1812-0345-01	Bricka	Washer	
6	1	1812-0409-01	Woodruffkil	Woodruff Key	
7	1	1812-0335-01	Drev	Worm Gear	
8	1	1812-0226-01	Packning	Gasket	
9	1	1812-0228-01	Snäckväxelhus-hö	Gear case-RH Gear Housing, Right	Inkl.pos. 1,3,25
10	1	1812-1276-01	Snöskruvaxel	Auger Shaft	
10	1	1812-1276-01	Snöskruvaxel	Auger Shaft	
11	1	9987-5145-12	Skruv	Screw	
12	1	1812-0341-01	Tätningring	Ring	
13	1	1812-1259-01	Flänslager	Bearing Impeller Shaft	
14	1	1812-1167-01	Kil	Key	
15	1	1812-0285-01	Nållager	Needle Bearing	
16	2	1812-0857-01	Bricka	Thrust Washer	
17	1	1812-0307-01	Kil	Key	
18	1	1812-0336-01	Snäckdrev	Gear	
21	1	1812-0297-01	Lager	Bearing	
22	1	1812-0346-01	OljePlugg	Oil Plug	
24	1	1812-1264-01	Fläkt M.Axel	Impeller	
24	1	1812-1338-01	Fläktaxel M.Fläkt	Impeller Shaft W.Fan	
24	1	1812-1264-01	Fläkt M.Axel	Impeller	
24	1	1812-1338-01	Fläktaxel M.Fläkt	Impeller Shaft W.Fan	
26	7	9987-5125-16	Skruv	Screw	
27	8	9743-5121-02	Mutter	Nut	



Utgåva Issue 43 - 2014		Fjärreglage-Utkast Remote Chute			
Pos. Fig.	Antal Quantity	Art nr Part No	Benämning	Description	Anmärkning Notes
1	1	1812-1160-01	Utkastskärm	Chute Deflector	
2	1	1812-0574-01	Fjäder	Spring	
3	3	9988-3619-16	Skruv	Screw	
4	3	9743-3621-32	Mutter	Nut	
5	1	1812-0667-01	Plastbricka	Washer	
6	1	1812-1302-01	Utkaströr	Chute Extension	
7	1	1812-0581-01	Fäste	Bracket	
8	1	9988-3613-16	Skruv	Screw	
9	1	1812-0811-01	Mutter	Nut	
10	1	1812-0629-01	Skruv	Screw	
11	1	1812-0630-01	Mutter	Nut	
12	1	9988-3525-16	Skruv	Screw	
13	4	9743-3521-32	Mutter	Nut	
16	1	1812-1305-01	Wire-Fjärreglage	Remote Cable	

code	pos.	q.ty	page								
6021A	126	4	p. 5	9988-3519-16	10	6	p. 21	34126	152	1	p. 7
9400-0225-00	99	1	p. 5	9988-3519-16	54	4	p. 23	34154	170	1	p. 7
9599-0033-00	57	1	p. 13	9988-3519-16	60	2	p. 13	34155	172	1	p. 7
9599-0054-02	32	1	p. 11	9988-3525-16	12	1	p. 27	34156A	175	1	p. 7
9599-0073-02	69	2	p. 19	9988-3545-12	17	1	p. 15	34329A	9	1	p. 3
9683-0025-02	37	1	p. 15	9988-3557-12	3	1	p. 21	34332	11	1	p. 3
9683-0025-02	37	4	p. 19	9988-3613-16	8	1	p. 27	34586	158	1	p. 7
9683-0030-02	2	32	p. 23	9988-3619-16	3	3	p. 27	34587A	121	1	p. 5
9683-0030-02	3	4	p. 19	9988-3619-16	6	6	p. 11	34663	138	1	p. 7
9683-0030-02	3	6	p. 15	9988-3619-16	28	1	p. 15	34667	139	1	p. 7
9683-0030-02	7	10	p. 11	9988-3632-16	2	4	p. 15	34677	133	1	p. 7
9683-0030-02	28	2	p. 21	9988-3645-16	31	2	p. 11	35056	187	1	p. 7
9683-0035-02	33	6	p. 23	9988-3719-16	32	8	p. 23	35057A	155	1	p. 7
9683-0035-02	44	4	p. 11	9988-3732-12	21	1	p. 15	35062	160	1	p. 7
9683-0035-02	48	1	p. 15	9988-3745-12	47	2	p. 11	35135	82	1	p. 5
9699-0026-02	7	3	p. 15	9988-3764-12	25	1	p. 11	35253	95	1	p. 5
9699-0026-02	34	2	p. 21	26460	178	4	p. 7	35262A	24	1	p. 3
9699-0026-02	55	8	p. 23	27642	3	2	p. 3	35305	161	1	p. 7
9699-0026-02	59	4	p. 13	27652	5	2	p. 3	35319	4	1	p. 3
9699-0028-02	3	32	p. 23	27878A	66	1	p. 5	35319	27	1	p. 3
9699-0028-02	33	1	p. 11	27881	69	2	p. 5	35350	108	1	p. 5
9699-0029-02	2	7	p. 11	27882	68	1	p. 5	35355	176	1	p. 7
9699-0029-02	31	2	p. 21	27888	10	2	p. 3	35371	1	1	p. 3
9699-0038-02	41	1	p. 15	27896A	104	2	p. 5	35373A	17	1	p. 3
9699-0038-02	47	1	p. 23	27915A	120	1	p. 5	35374	18	1	p. 3
9699-0062-02	27	1	p. 15	28423	105	1	p. 5	35375	21	1	p. 3
9699-0115-02	63	1	p. 15	28424	106	1	p. 5	35376	25	1	p. 3
9699-0115-02	63	4	p. 19	28425	107	1	p. 5	35377	26	1	p. 3
9727-3541-22	11	6	p. 21	28545	153	1	p. 7	35378	41	1	p. 3
9743-3521-32	4	1	p. 21	28820	122	2	p. 5	35385	1	1	p. 3
9743-3521-32	13	4	p. 27	28942	156	2	p. 7	35392	199	1	p. 7
9743-3521-32	14	2	p. 11	29193	40	1	p. 3	35438	159	1	p. 7
9743-3521-32	18	1	p. 15	29216	51	1	p. 3	35440	147	1	p. 7
9743-3521-32	42	2	p. 11	29443	77	1	p. 5	35447A	130	1	p. 5
9743-3521-32	56	4	p. 23	29642	36	1	p. 3	35499	59	1	p. 3
9743-3521-32	61	2	p. 13	29747B	144	2	p. 7	35540	62	1	p. 5
9743-3621-32	4	3	p. 27	29752	114	2	p. 5	35554	60	1	p. 5
9743-3621-32	25	1	p. 15	29752	196	4	p. 7	35681	17	1	p. 3
9743-3621-32	57	3	p. 23	29774	180	1	p. 7	35772	10	2	p. 3
9743-3721-32	24	2	p. 15	29826	50	1	p. 3	35773	9	1	p. 3
9743-3721-32	29	1	p. 11	29916	49	1	p. 3	35779	11	1	p. 3
9743-3721-32	32	2	p. 21	29918	53	1	p. 3	35857	179	1	p. 7
9743-3721-32	35	1	p. 23	30088A	118	2	p. 5	35862	68	1	p. 5
9743-3721-32	48	2	p. 11	30322	55	1	p. 3	35985B	194	1	p. 7
9743-3721-32	52	1	p. 19	30588A	38	1	p. 3	36205	58	1	p. 3
9743-3721-32	62	2	p. 13	30590A	39	1	p. 3	36245	8	1	p. 3
9743-5121-02	27	8	p. 25	30699C	33	1	p. 3	36448	96	1	p. 5
9743-5421-32	48	2	p. 23	30705	177	1	p. 7	36449	97	1	p. 5
9794-5131-02	35	2	p. 11	30968	3	1	p. 3	36450	215	1	p. 7
9795-3531-02	36	4	p. 21	30969	3	1	p. 3	36451	96	1	p. 5
9795-3531-02	60	4	p. 19	31342	134	1	p. 7	36452	215	1	p. 9
9795-3531-02	73	1	p. 13	31588	188	1	p. 7	36460	6	1	p. 3
9795-3631-02	1	32	p. 23	31845	37	1	p. 3	570682	131	1	p. 5
9795-3631-02	8	10	p. 11	32180C	132	1	p. 7	590574	197	1	p. 7
9795-3631-02	29	2	p. 21	32581	70	2	p. 5	590733	213	1	p. 7
9795-3731-02	34	6	p. 23	32589	76	1	p. 5	610118	82	1	p. 5
9795-3731-02	45	2	p. 11	33013	145	1	p. 7	610973	136	1	p. 7
9899-3622-16	4	29	p. 23	33263	115	1	p. 5	610973	162	1	p. 7
9899-3625-16	58	3	p. 23	33272B	168	1	p. 7	611093	78	1	p. 5
9899-3732-16	86	1	p. 15	33273A	22	1	p. 3	611111	86	1	p. 5
9987-5125-16	26	7	p. 25	33369	42	1	p. 3	611118	323	1	p. 9
9987-5145-12	11	1	p. 25	33377	123	1	p. 5	632334A	212	1	p. 7
9987-5225-16	49	1	p. 15	33454	52	1	p. 3	632370A	212	1	p. 7
9988-3516-16	38	1	p. 15	33877	117	1	p. 5	650128	23	1	p. 3
9988-3516-16	58	3	p. 19	33878	140	1	p. 7	650128	109	2	p. 5
9988-3516-16	71	1	p. 19	34034	20	2	p. 3	650378	119	2	p. 5
				34035	67	1	p. 5	650548	54	1	p. 3

code	pos.	q.ty	page
650549	135	1	p. 7
650561	7	2	p. 3
650561	173	1	p. 7
650665	174	2	p. 7
650690	128	3	p. 5
650691	127	2	p. 5
650691	127	5	p. 5
650694A	98	3	p. 5
650713	171	2	p. 7
650727	129	2	p. 5
650760	146	1	p. 7
650760	154	1	p. 7
650765	157	1	p. 7
650767	124	2	p. 5
650788	143	2	p. 7
650802	169	1	p. 7
650820	2	2	p. 3
650821	137	2	p. 7
650832	56	1	p. 3
650833	57	7	p. 3
650872	81	2	p. 5
650873	85	1	p. 5
650880	79	1	p. 5
650881	80	1	p. 5
650882	19	1	p. 3
650908	19	1	p. 3
651002	189	2	p. 7
651007	83	2	p. 5