



Reservdelskatalog Parts Catalogue

ST827

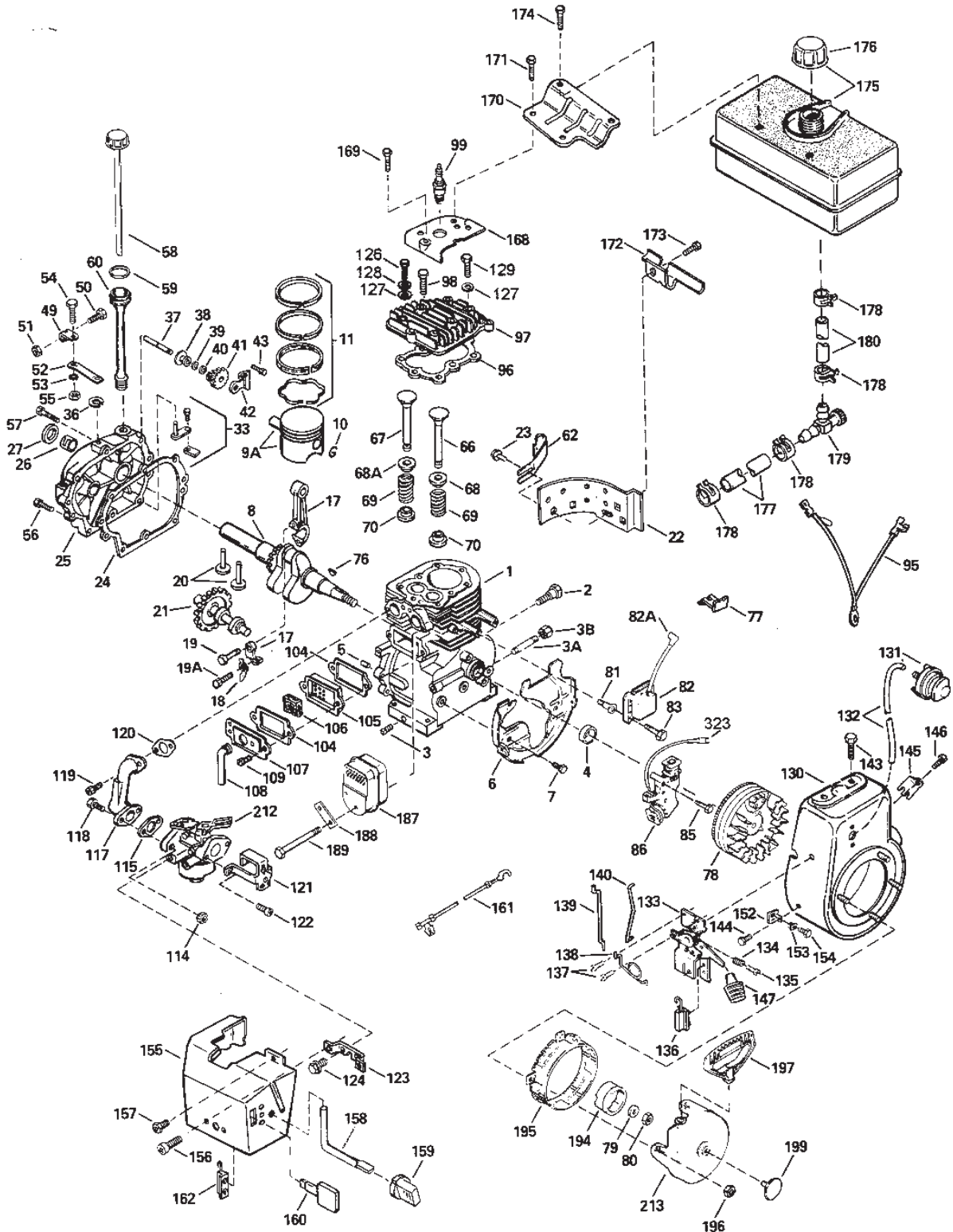
18-2834-15 - Season 1994

- Use GLOBAL GARDEN PRODUCT Genuine Spare Parts specified in the parts list for repair and/or replacement.
 - The contents described in the parts list may change due to improvement.
 - The drawings of the spare parts are only indicative and might not represent the part in question exactly.
 - The indications "right" - "left" - "front" - "rear" refer to the position of the operator when using the machine.
- When placing orders of parts for repair and/or replacement, make sure that the illustrated parts list is the one applying to the machine's year of manufacture, as shown on the identification plate attached to the machine.

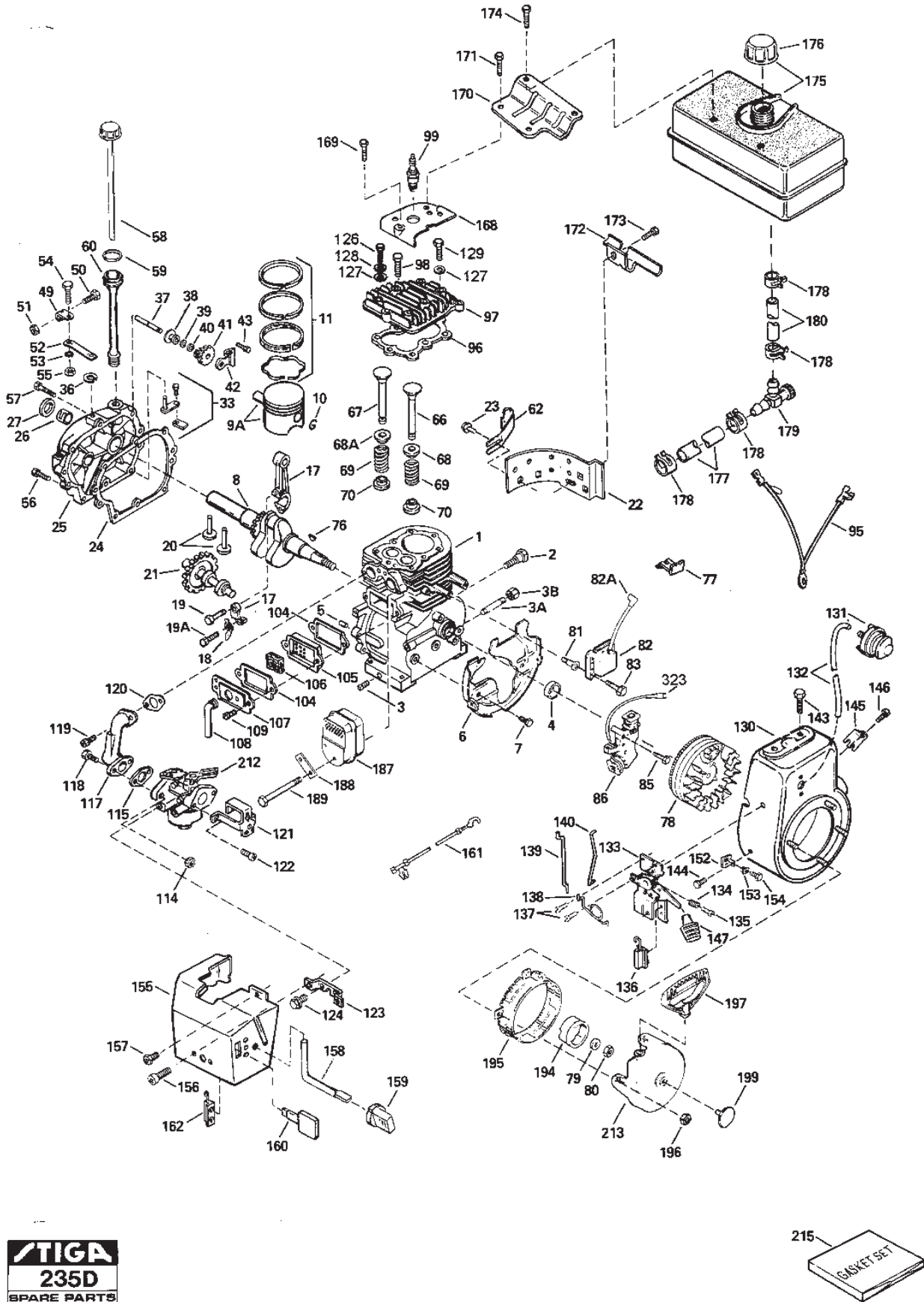
© Copyright 2014 Global Garden Products

All rights reserved. No part of this material may be reproduced or transmitted, in any form or by any means, electronic or mechanical, including photocopying, recording or by any information storage and retrieval system, without permission in writing from GLOBAL GARDEN PRODUCTS.

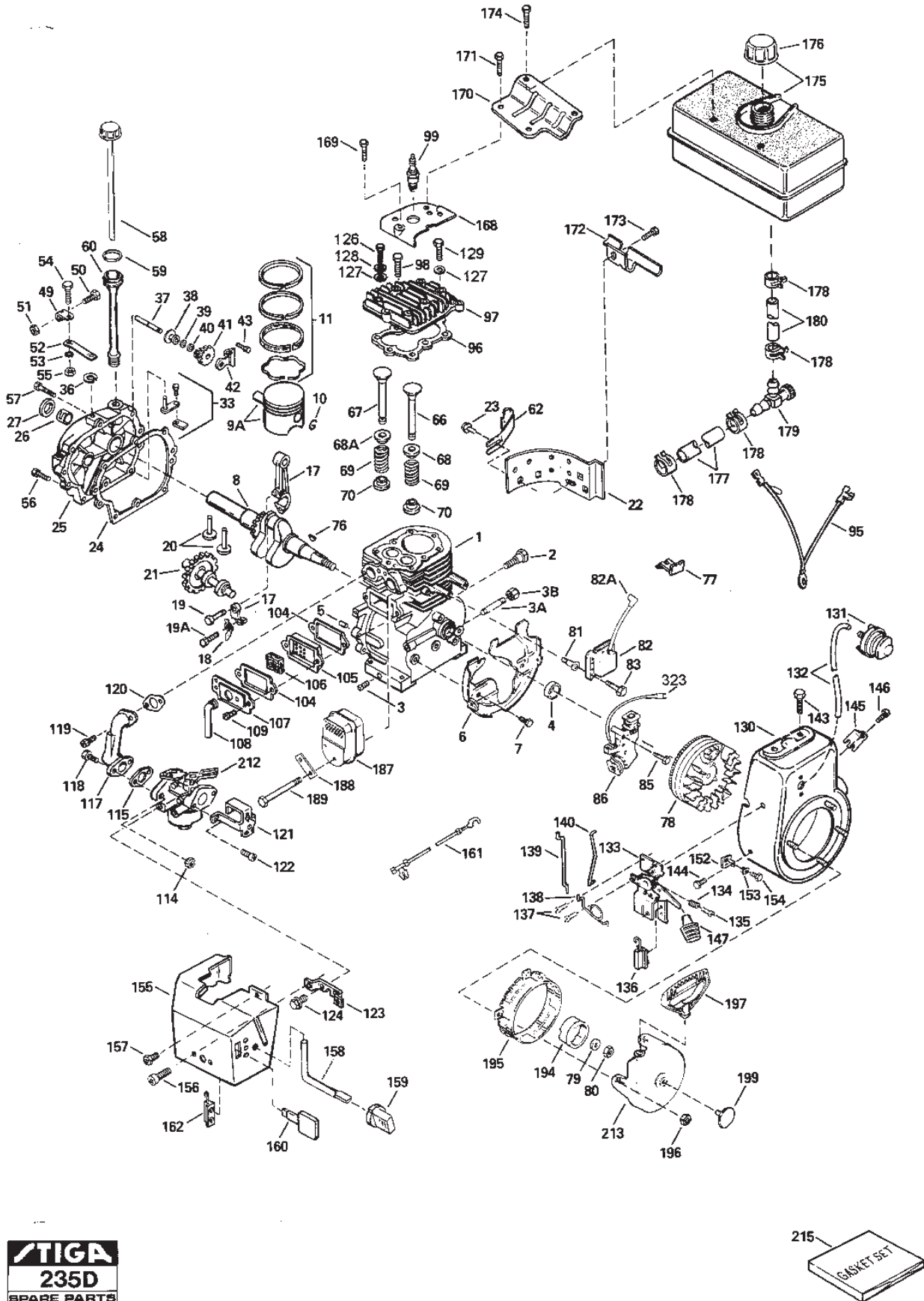
www.stiga.com



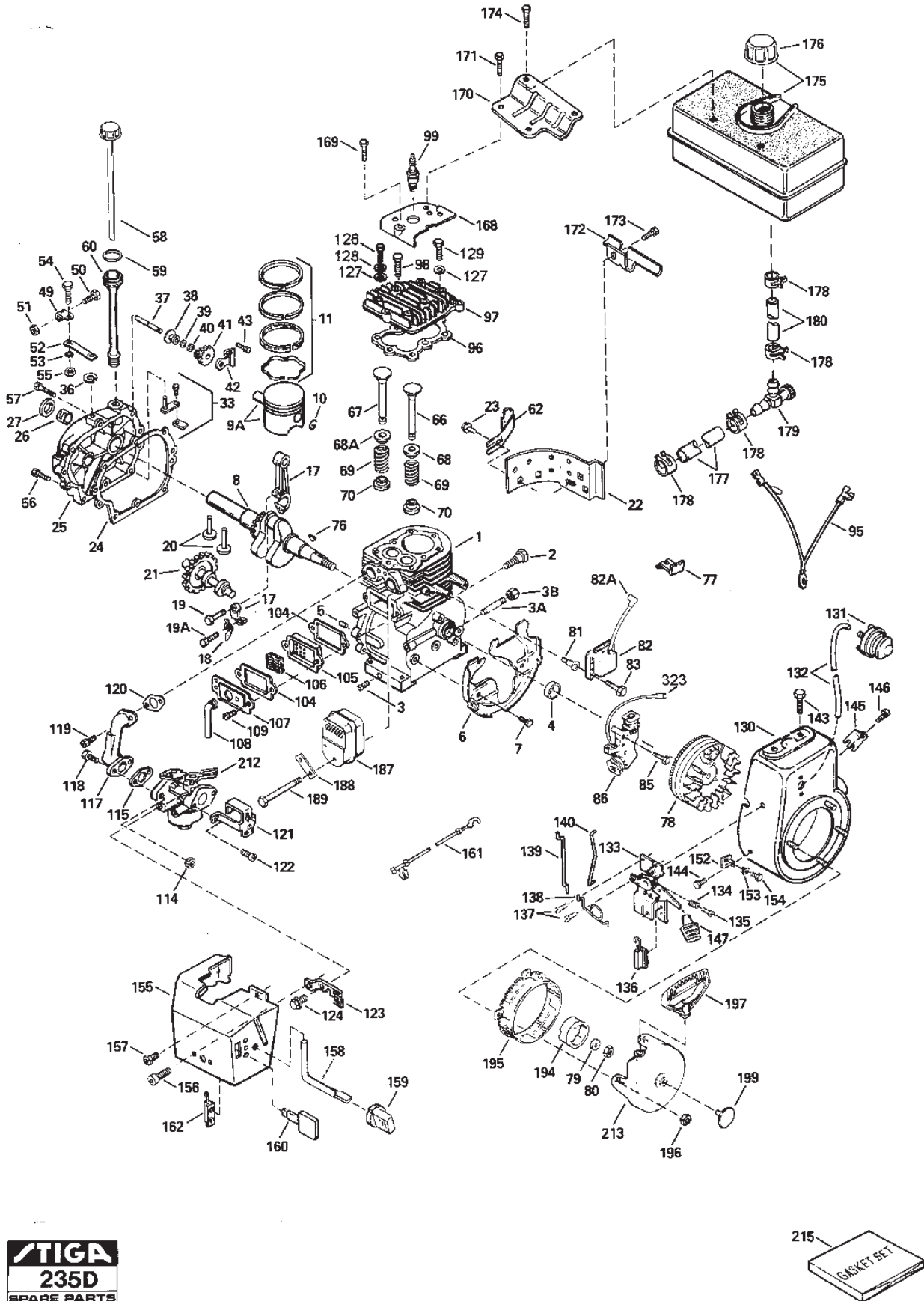
Utgåva Issue 41 - 2014		Tecumseh Hm80 Hm100		Tecumseh Hm80 Hm100	
Pos. Fig.	Antal Quantity	Art nr Part No	Benämning	Description	Anmärkning Notes
1	1	35371	Cylinder kpl	Cylinder Assy	Inkl.pos. 3,4,5
1	1	35385	Cylinder kpl	Cylinder Assy	Inkl.pos. 3,4,5
2	2	650820	Shoulder bolt	Shoulder bolt	
3	2	27642	Oil drain plug	Oil drain plug	
3	1	30968	Rör	Pipe	
3	1	30969	Cap	Cap	
4	1	35319	Oil seal	Oil seal	
5	2	27652	Styrpinne	Dowel pin	
6	1	36460	Baffle	Baffle	
7	2	650561	Skruv	Screw	
8	1	36245	Crankshaft	Crankshaft	
9	1	34329A	Kolvsprint	Piston Pin	Inkl.pos. 10
9	1	35773	Kolvsprint	Piston Pin	Inkl.pos. 10
10	2	27888	Retaining ring	Retaining ring	
10	2	35772	Retaining ring	Retaining ring	
11	1	34332	Ring set	Ring set	
11	1	35779	Ring set	Ring set	
17	1	35373A	Conn.rod	Conn.rod	Inkl.pos. 18-19A
17	1	35681	Conn.rod assy	Conn.rod assy	Inkl.pos. 18-19A
18	1	35374	Oil dipper	Oil dipper	
19	1	650908	Bult	Bolt	
19	1	650882	Bult	Bolt	
20	2	34034	Valve lifter	Valve lifter	
21	1	35375	Kamaxel	Camshaft	
22	1	33273A	Extension	Extension	
23	1	650128	Skruv	Screw	
24	1	35262	Packning	Gasket	
25	1	35376	Cover	Cover	Inkl.pos. 26-27,37
26	1	35377	Bearing	Bearing	
27	1	35319	Oil seal	Oil seal	
33	1	30699C	Governor rod	Governor rod	
36	1	29642	Retaining ring	Retaining ring	
37	1	31845	Governor shaft Use MAS-031845	Governor shaft Use MAS-031845	
38	1	30588A	Spool	Spool	
39	1	30590A	Bricka	Flat washer	
40	1	29193	Retaining ring	Retaining ring	
41	1	35378	Gear	Gear	Inkl.pos. 39
42	1	33369	Fäste	Bracket	
43	2	650836	Skruv	Screw	
49	1	29916	Clamp	Clamp	
50	1	29826	Skruv	Screw	
51	1	29216	Mutter	Nut	
52	1	33454	Governor lever	Governor lever	
53	1	29918	Bricka	Washer	
54	1	650548	Skruv	Screw	
55	1	30322	Mutter	Nut	
56	1	650832	Skruv	Screw	43 mm
57	7	650833	Skruv	Screw	30 mm
58	1	36205	Oil dipstick	Oil dipstick	



Utgåva Issue 41 - 2014		Tecumseh Hm80 Hm100		Tecumseh Hm80 Hm100	
Pos. Fig.	Antal Quantity	Art nr Part No	Benämning	Description	Anmärkning Notes
59	1	35499	O-ring	O-ring	
60	1	35554	Oljepåfyllningsrör	Oil fill tube	
62	1	35540	Clip	Clip	
66	1	27878A	Exhaust valve	Exhaust valve	Inkl.pos. 70
67	1	34035	Insugningsventil	Intake valve	Inkl.pos. 70
68	1	35862	Valve spring cap	Valve spring cap	
68	1	27882	Valve spring cap	Valve spring cap	
69	2	27881	Valve spring	Valve spring	
70	2	32581	Valve cap	Valve cap	
76	1	32589	Kil	Key	
77	1	29443	Wire clip	Wire clip	
78	1	611093	Flywheel	Flywheel	
79	1	650880	Bricka	Washer	
80	1	650881	Mutter	Nut	
81	2	650872	Pinnbult	Mounting stud	
82	1	610118	Spark plug cover	Spark plug cover	
82	1	35135	Solid state ignition	Solid state ignition	
83	1	650814	Skruv	Screw	
85	1	650873	Skruv	Screw	
86	1	611111	Generator	Alternator coil	18 Watt
95	1	35253	Ground wire	Ground wire	
96	1	36448	Toppackning	Head gasket	
96	1	36451	Toppackning	Head gasket	
97	1	36449	Topplöck	Cylinder Head	
98	3	650694A	Skruv	Screw	38 mm
99	1	1111-9028-02	Tändstift (J19Lm)	Spark Plug (J19Lm)	Champion J19LM
99	1	9400-0225-00	Tändstift (J19Lm)	Spark Plug (J19Lm)	Champion J19LM
104	2	27896A	Packning	Gasket	
105	1	28423	Breather body	Breather body	
106	1	28424	Breather element	Breather element	
107	1	28425	Cover	Cover	
108	1	35350	Rör	Tube	
109	2	650128	Skruv	Screw	
114	2	29752	Mutter	Nut	
115	1	33263	Packning	Gasket	
117	1	33877	Intake pipe	Intake pipe	
118	2	30088A	Skruv	Screw	
119	2	650378	Skruv	Screw	
120	1	27915A	Packning	Gasket	
121	1	34587	Fäste	Bracket	
122	2	28820	Skruv	Screw	
123	1	33377	Fäste	Bracket	
124	2	650767	Skruv	Screw	
126	4	6021A	Skruv	Screw	
127	2	650691	Bricka	Washer	
127	5	650691	Bricka	Washer	
128	3	650690	Bricka	Washer	
129	2	650727	Skruv	Screw	
130	1	35447A	Blower housing	Blower housing	

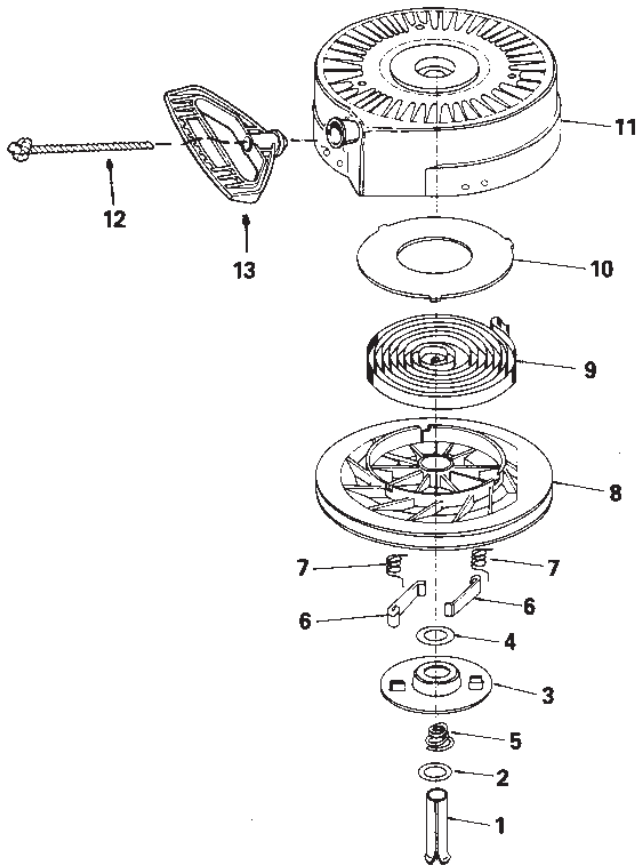


Utgåva Issue 41 - 2014		Tecumseh Hm80 Hm100		Tecumseh Hm80 Hm100	
Pos. Fig.	Antal Quantity	Art nr Part No	Benämning	Description	Anmärkning Notes
131	1	570682	Primer	Primer	
132	1	32180C	Primerslang	Primer line	
133	1	34677	Speed control assy	Speed control assy	Inkl.pos. 134-136,138
134	1	31342	Fjäder	Spring	
135	1	650549	Skruv	Screw	
136	1	610973	Terminal	Terminal	
137	2	650821	Skruv	Screw	
138	1	34663	Fjäder	Spring	
139	1	34667	Governor link	Governor link	
140	1	33878	Gasreglagelänk	Throttle Rod	
143	2	650788	Skruv	Screw	
144	2	29747B	Skruv	Screw	
145	1	33013	Cover	Cover	
146	1	650760	Skruv	Screw	
147	1	35440	Knopp	Knob	
152	1	34126	Fäste	Bracket	
153	1	28545	Isoleringshylsa	Grommet	
154	1	650760	Skruv	Screw	
155	1	35057A	Cover	Cover	
156	2	28942	Skruv	Screw	
157	1	650765	Skruv	Screw	
158	1	34586	Choke rod	Choke rod	
159	1	35438	Reglageknopp	Knob	
160	1	35062	Tändningsnyckel	Ignition Key	
161	1	35305	Ground wire	Ground wire	
162	1	610973	Terminal	Terminal	
168	1	33272B	Cover	Cover	
169	1	650802	Skruv	Screw	
170	1	34155	Tank bracket	Tank bracket	
171	2	650713	Skruv	Screw	
172	1	34154	Tank plate	Tank plate	
173	1	650561	Skruv	Screw	
174	2	650665	Skruv	Screw	
175	1	34156A	Fuel tank assy	Fuel tank assy	Inkl.pos. 176,178
176	1	35355	Tank cap	Tank cap	
177	1	30705	Fuel line	Fuel line	
178	4	26460	Clamp	Clamp	
179	1	35857	Shut-off valve	Shut-off valve	
180	1	29774	Fuel line	Fuel line	
187	1	35056	Ljuddämpare	Muffler	
188	1	31588	Låsbleck	Locking plate	
189	2	792093	Skruv	Screw	
194	1	35985A	Starter hub	Starter hub	
195	1	35446	Nät	Screen	
196	4	29752	Mutter	Nut	
197	1	590574	Styrplåt kpl	Starter handle	
199	1	35392	Plugg	Plug	
212	1	632334A	Förgasare kpl	Carburettor Assy	
212	1	632370A	Förgasare kpl	Carburettor Assy	

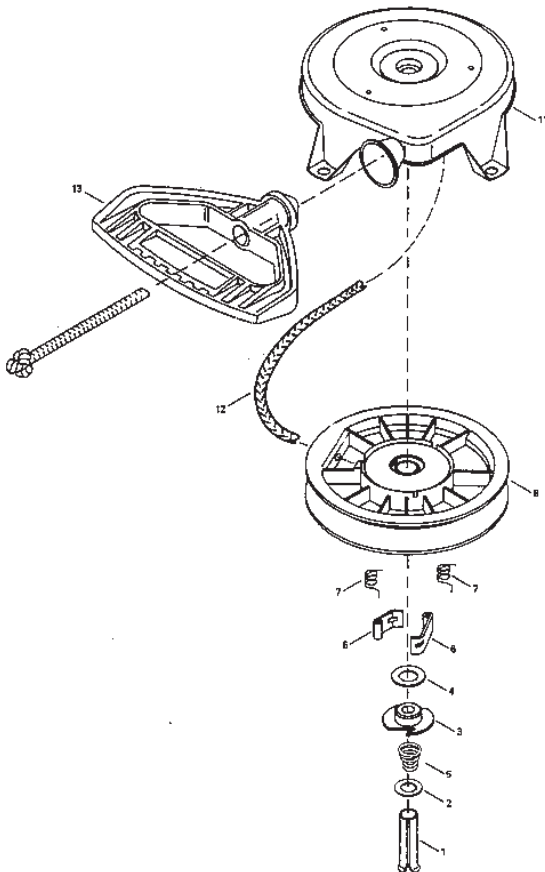


Utgåva Issue 41 - 2014		Tecumseh Hm80 Hm100			
Pos. Fig.	Antal Quantity	Art nr Part No	Benämning	Description	Anmärkning Notes
213	1	590672	Starter assy	Starter assy	
215	1	36450	Packningssats	Gasket set	
215	1	36452	Packningssats	Gasket set	
323	1	611118	Connector body	Connector body	

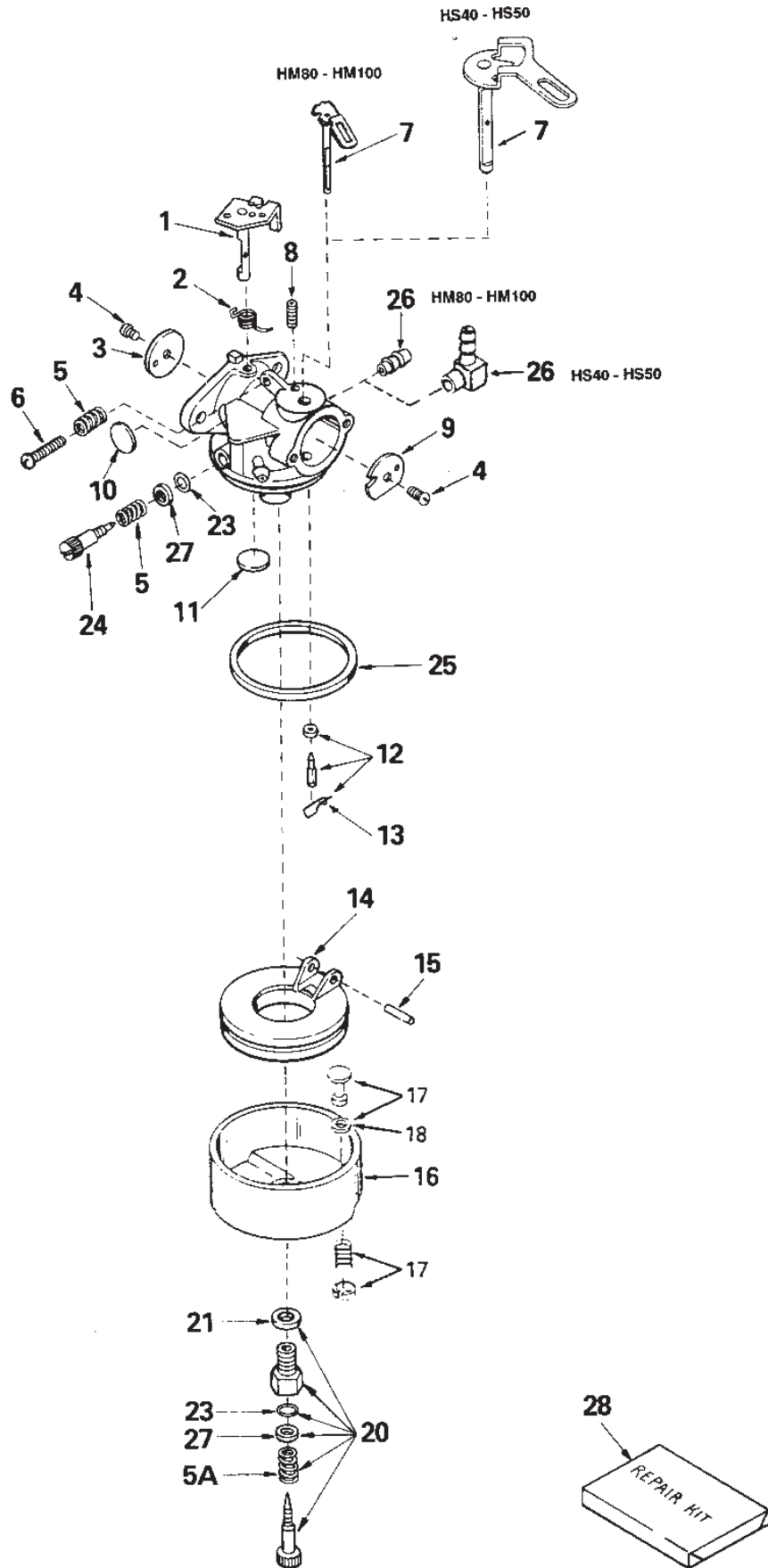
590646



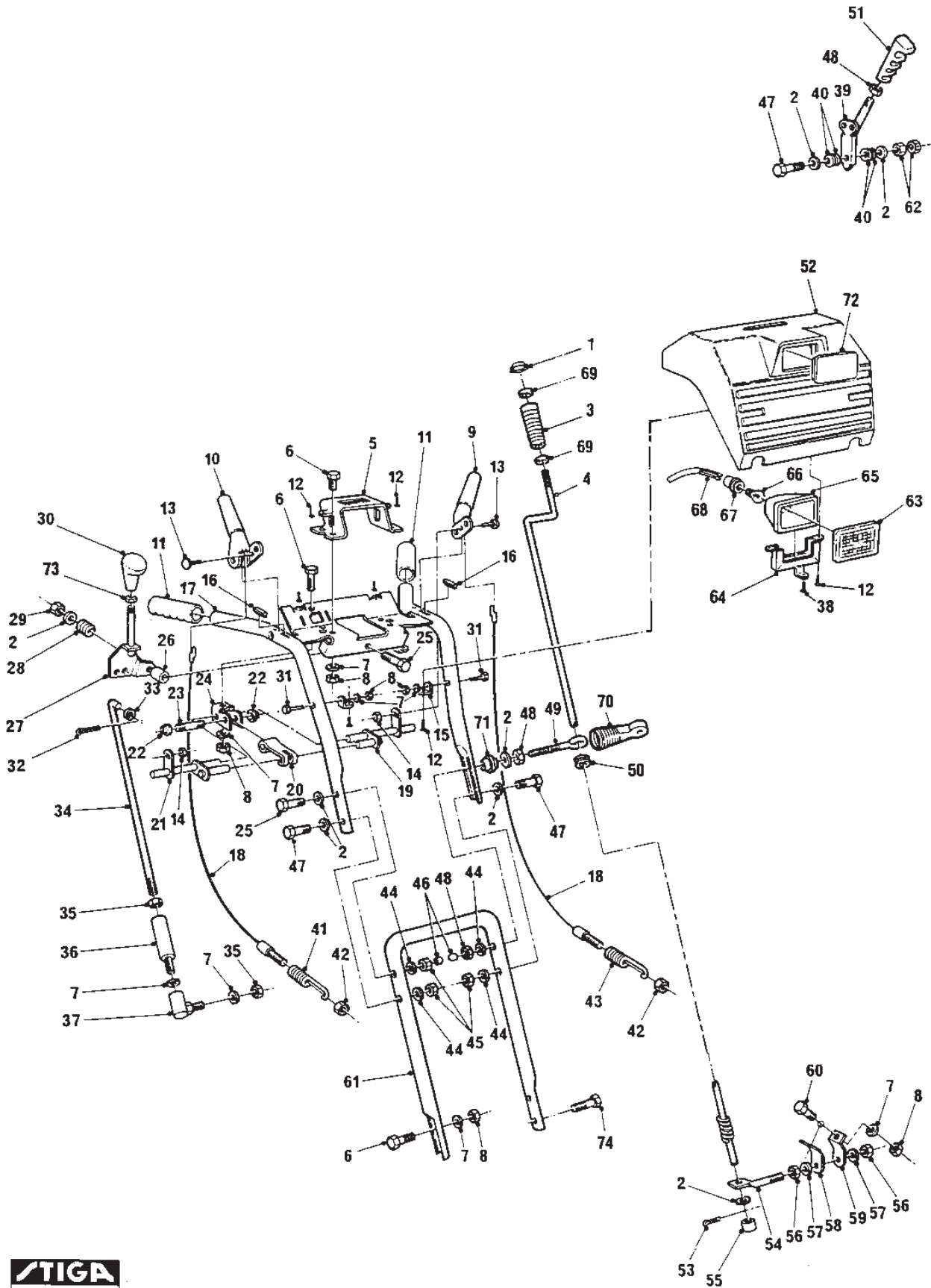
590672



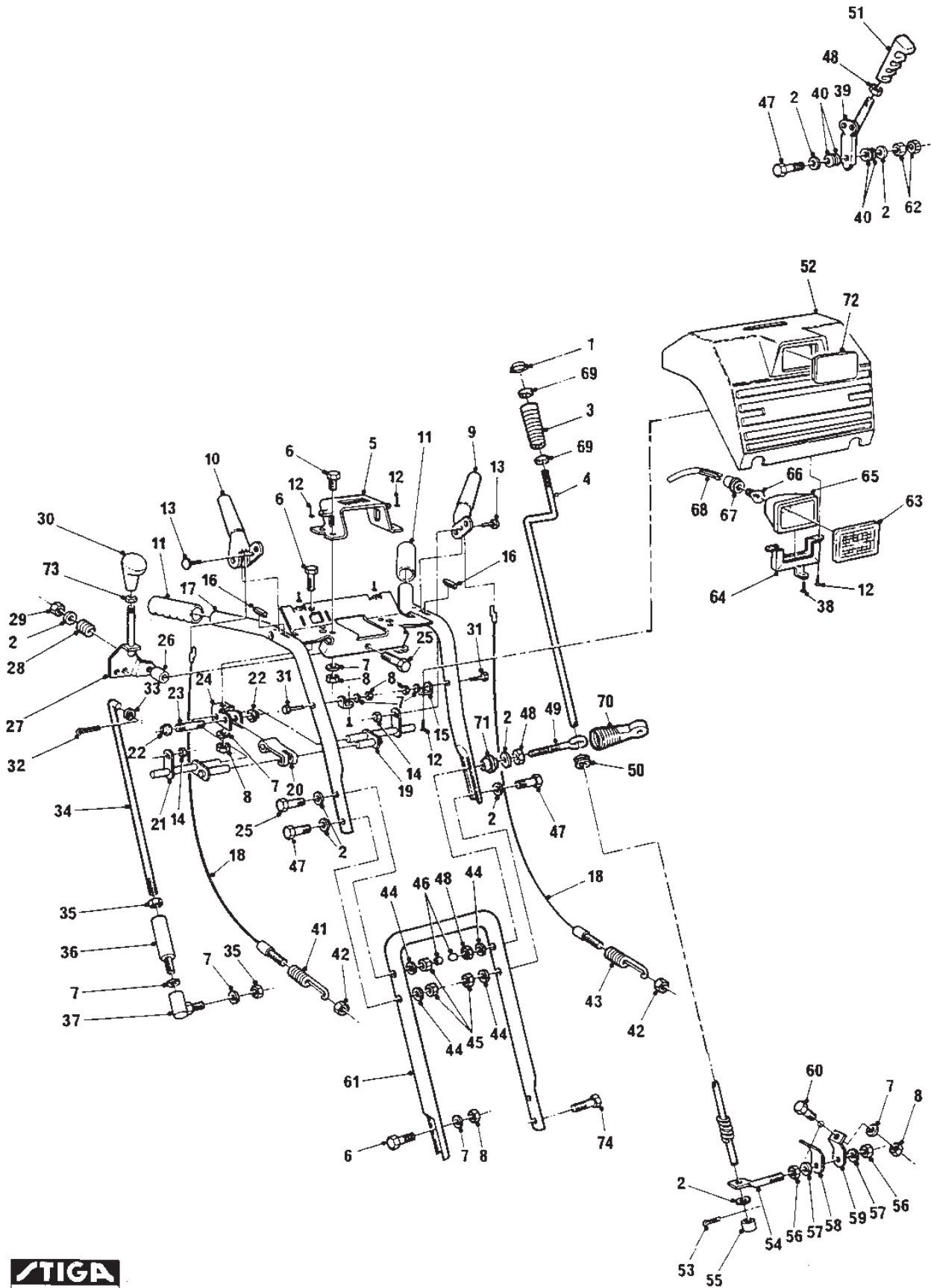
Utgåva Issue 41 - 2014		Tecumseh Start Kpl		Tecumseh Rewind Starter Assy	
Pos. Fig.	Antal Quantity	Art nr Part No	Benämning	Description	Anmärkning Notes
0	1	590646	Starter assy	Starter assy	
0	1	590672	Starter assy	Starter assy	
1	1	590599A	Stift	Pin	Inkl.pos. 4
2	1	590600	Bricka	Washer	
3	1	590615	Hållare	Retainer	
3	1	590679	Hållare	Retainer	
4	1	590601	Bricka	Washer	
5	1	590598	Fjäder	Spring	
5	1	590678	Bromsfjäder	Brake Spring	
6	2	590616	Starter dog	Starter dog	
6	2	590680	Starter dog	Starter dog	
7	2	590617	Fjäder	Spring	
7	2	590412	Fjäder	Dog spring	
8	1	590645A	Pulley assy	Pulley assy	Inkl.pos. 9-10
8	1	590682	Pulley and spring	Pulley and spring	
9	1	590619	Returfjäder	Rewind spring	
10	1	590620	Cover	Cover	
11	1	590647	Starthus	Starter housing	
11	1	590684	Starthus	Starter housing	
12	1	590535	Startsnöre	Starter Rope	
12	1	590456	Startsnöre	Starter Rope	
13	1	590574	Styrplåt kpl	Starter handle	



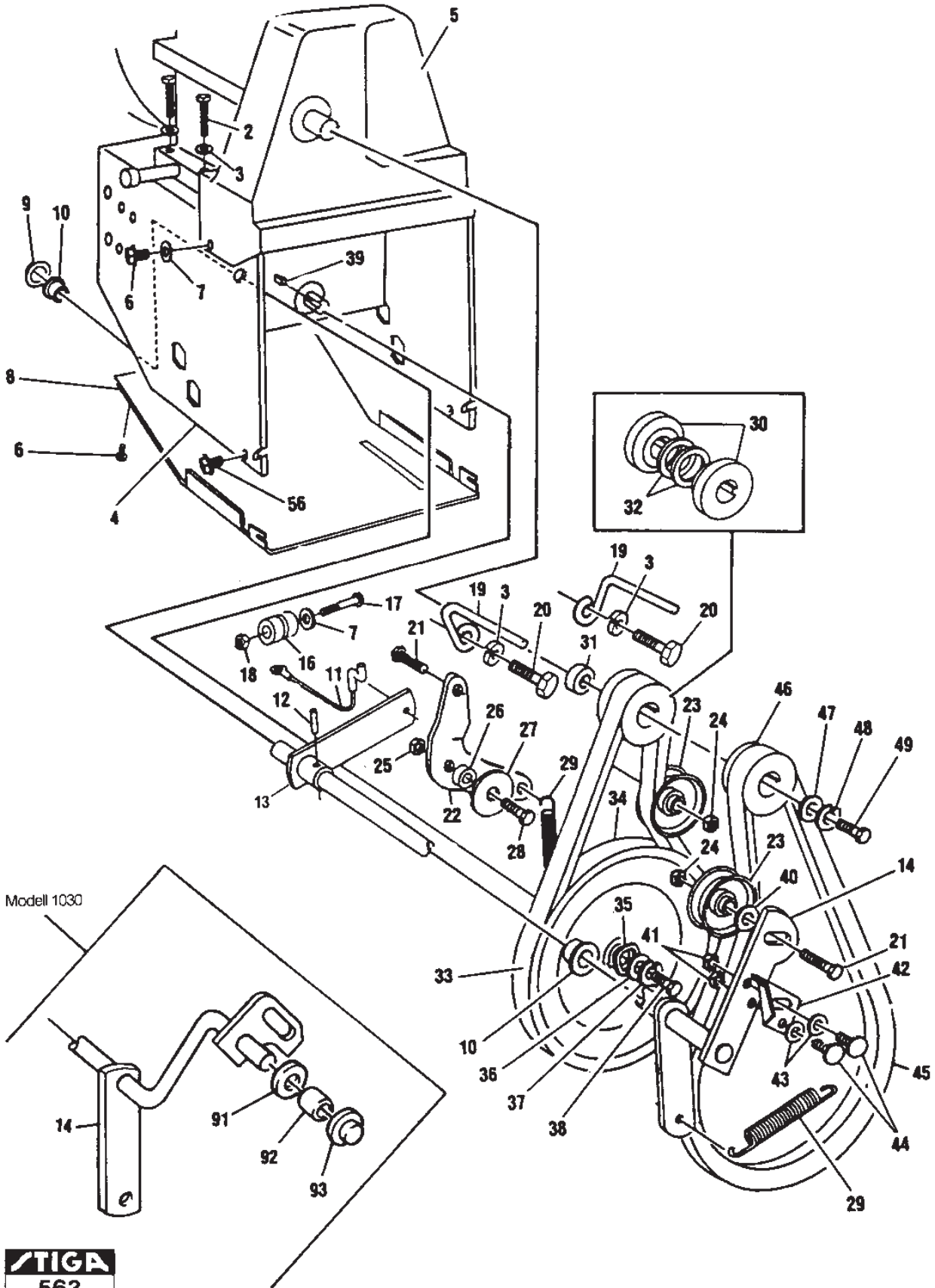
Utgåva Issue 41 - 2014		Tecumseh Förgasare Kpl		Tecumseh Carburettor	
Pos. Fig.	Antal Quantity	Art nr Part No	Benämning	Description	Anmärkning Notes
0	1	632107A	Förgasare kpl	Carburettor Assy	
0	1	632113A	Förgasare kpl	Carburettor Assy	
0	1	632334A	Förgasare kpl	Carburettor Assy	
0	1	632370A	Förgasare kpl	Carburettor Assy	
1	1	631615	Spjällsaxeln	Throttle Shaft	
1	1	631776A	Spjällsaxeln	Throttle Shaft	
2	1	631767	Fjäder	Spring	
2	1	631970	Fjäder	Spring	
3	1	631036	Gasspjäll	Throttle Shutter	
3	1	631778	Gasspjäll	Throttle Shutter	
4	2	650506	Skruv	Screw	
5	2	630766	Fjäder	Spring	
5	1	630738	Fjäder	Spring	
6	1	650417	Skruv	Screw	
7	1	632108	Choke shaft	Choke shaft	
7	1	632112	Choke shaft	Choke shaft	
8	1	630735	Fjäder	Spring	
9	1	631815	Choke shutter	Choke shutter	
9	1	632174	Choke shutter	Choke shutter	
10	1	630748	Welch plug	Welch plug	
11	1	631027	Welch plug	Welch plug	
12	1	631021	Nålventil kpl	Inlet needle assy	Inkl.pos. 13
13	1	631022	Fjäder	Spring clip	
14	1	632019	Flottör	Float	
15	1	631024	Flottöraxel	Float shaft	
16	1	631951	Flottörhus kpl	Float bowl assy	Inkl.pos. 17,18
17	1	27136A	Bowl drain	Bowl drain	Inkl.pos. 18
18	1	27554	Packning	Gasket	
20	1	31839	Skruv	Screw	Inkl.pos. 5A,21,23,27
20	1	632239	Skruv	Screw	Inkl.pos. 5A,21,23,27
21	1	27110	Packning	Gasket	
23	2	630740	O-ring	O-ring	
24	1	631838	Skruv	Screw	
24	1	632281	Förgasare kpl	Carburettor Assy	
25	1	631028	O-ring	O-ring	
26	1	631807	Nippel	Fuel fitting	
26	1	632164	Nippel	Fuel fitting	
27	2	630739	Bricka	Washer	
28	1	31840	Use MAS-031840 Reparationssats	Use MAS-031840 Repair Kit	
28	1	632347	Reparationssats	Repair Kit	



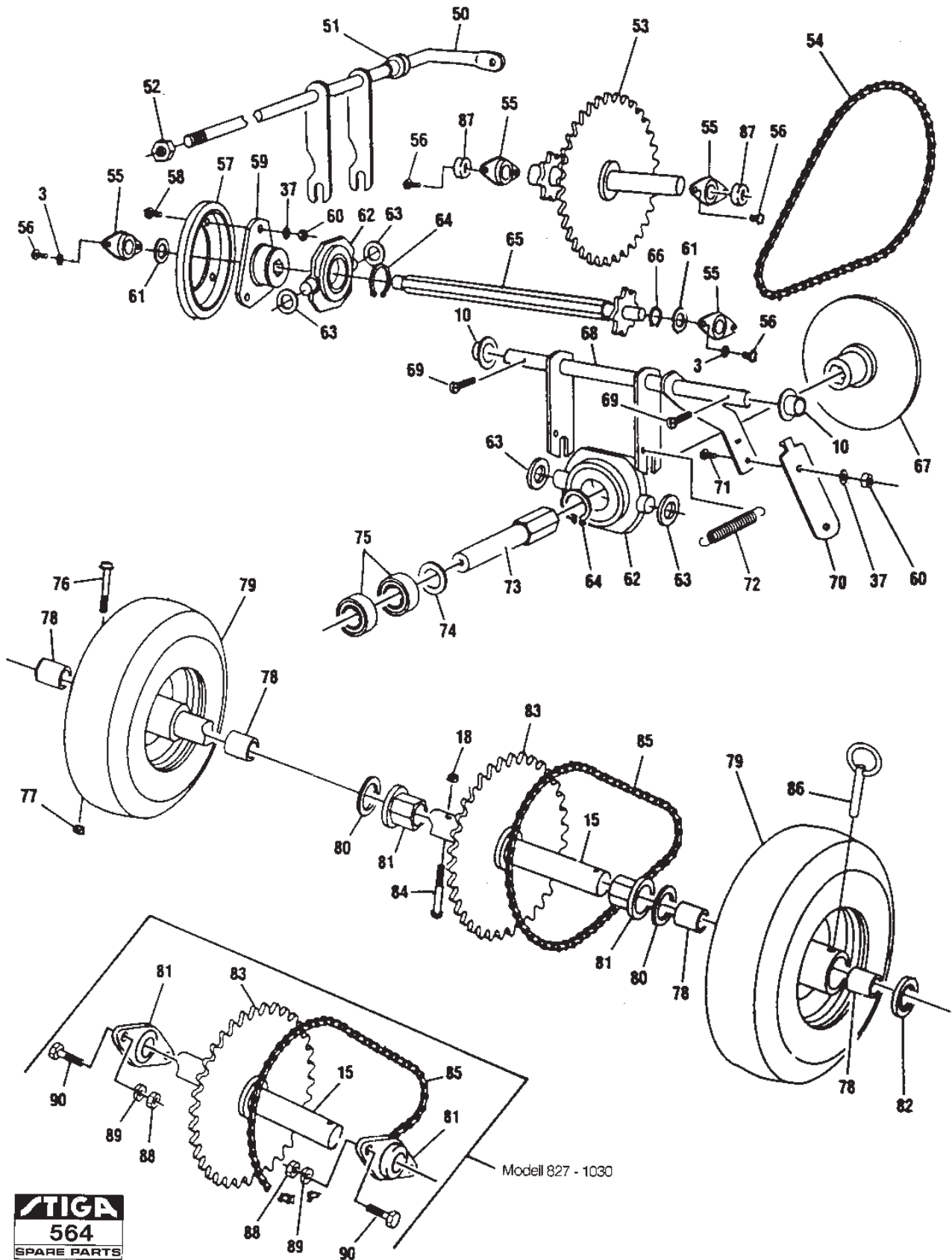
Utgåva Issue 41 - 2014		Styre Reglage		Handle Controls	
Pos. Fig.	Antal Quantity	Art nr Part No	Benämning	Description	Anmärkning Notes
1	1	1812-1183-01	Låsning	Cap Retainer	
2	8	9699-0029-02	Bricka	Washer	
2	8	9699-0029-02	Bricka	Washer	
3	1	1812-1168-01	Handtag	Handle	
4	1	1812-0256-03	Inställningsvev Kpl Lf	Chute Crank (Sf)	
5	1	1812-1184-01	Växellägesplåt	Bracket Shifter	
6	6	9988-3619-16	Skruv	Screw	
7	11	9683-0030-02	Bricka	Washer	
8	11	9795-3631-02	Mutter	Nut	
9	1	1812-1297-01	Kopplingshandtag-vä	Clutch Handle, Left	
10	1	1812-1298-01	Kopplingshandtag-hö	Clutch Handle, Right	
11	2	1812-0955-01	Handtag	Handle Grip	
12	8	1812-0733-01	Skruv	Screw	
12	8	1812-0733-01	Skruv	Screw	
13	2	1812-0821-01	Skruv	Carriage Bolt	
14	2	9743-3521-32	Mutter	Nut	
15	2	1812-1186-01	Panelfäste	Bracket Panel Retainer	
16	2	1812-0520-01	Skydd	Protection	
17	1	1812-1194-01	Styre-överdel Däck-överdel	Handle Upper Handle, Upper Part	
17	1	1812-1194-01	Styre-överdel Däck-överdel	Handle Upper Handle, Upper Part	
18	2	1812-0249-01	Reglagewire (817 Mm)	Wire (817 Mm)	
19	1	1812-1189-01	Spärrstång Vä	Bail Rod L.H.	
20	1	1812-0834-01	Låsfjäder	Cam Lock Spring	
21	1	1812-1188-01	Spärrstång Vä Spärrstång Hö	Bail Rod R.H. Rod	
22	2	1812-0396-01	Låsning	Retainer	
23	1	1812-1280-01	Sprint	Pin Latch	
24	1	1812-1185-01	Fäste	Bracket Cam Retainer	
25	1	9988-3764-12	Skruv	Screw	
26	1	1812-1193-01	Distans	Spacer	
27	1	1812-1249-01	Actuator shift	Actuator shift	
28	1	1812-0304-01	Fjäder	Spring	
29	1	9743-3721-32	Mutter	Nut	
30	1	1812-1293-01	Reglageknopp	Knob	
31	2	9988-3645-16	Skruv	Screw	
32	1	9599-0054-02	SaxSprint	Split Pin	
33	1	9699-0028-02	Bricka	Washer	
34	1	1812-1242-01	Växlestång	Rod Speed Control	
35	2	9794-5131-02	Mutter	Nut	
36	1	1812-0622-01	Skruvhylsa	Adaptor	
37	1	1812-0303-01	Kulled	Ball Joint	
38	1	1812-1159-01	Skruv	Screw	
39	1	1812-1192-01	Inställningsspak	Lever	
40	4	1812-0660-01	Bricka Fjäderbricka	Elastic Washer Spring Washer	
41	1	1812-1303-01	Fjäder	Spring	
42	2	9743-3521-32	Mutter	Nut	
43	1	1812-1210-01	Fjäder	Spring	
44	4	9683-0035-02	Bricka	Washer	
45	2	9795-3731-02	Mutter	Nut	
46	2	1812-0830-01	Plastknopp	Plastic Stop	



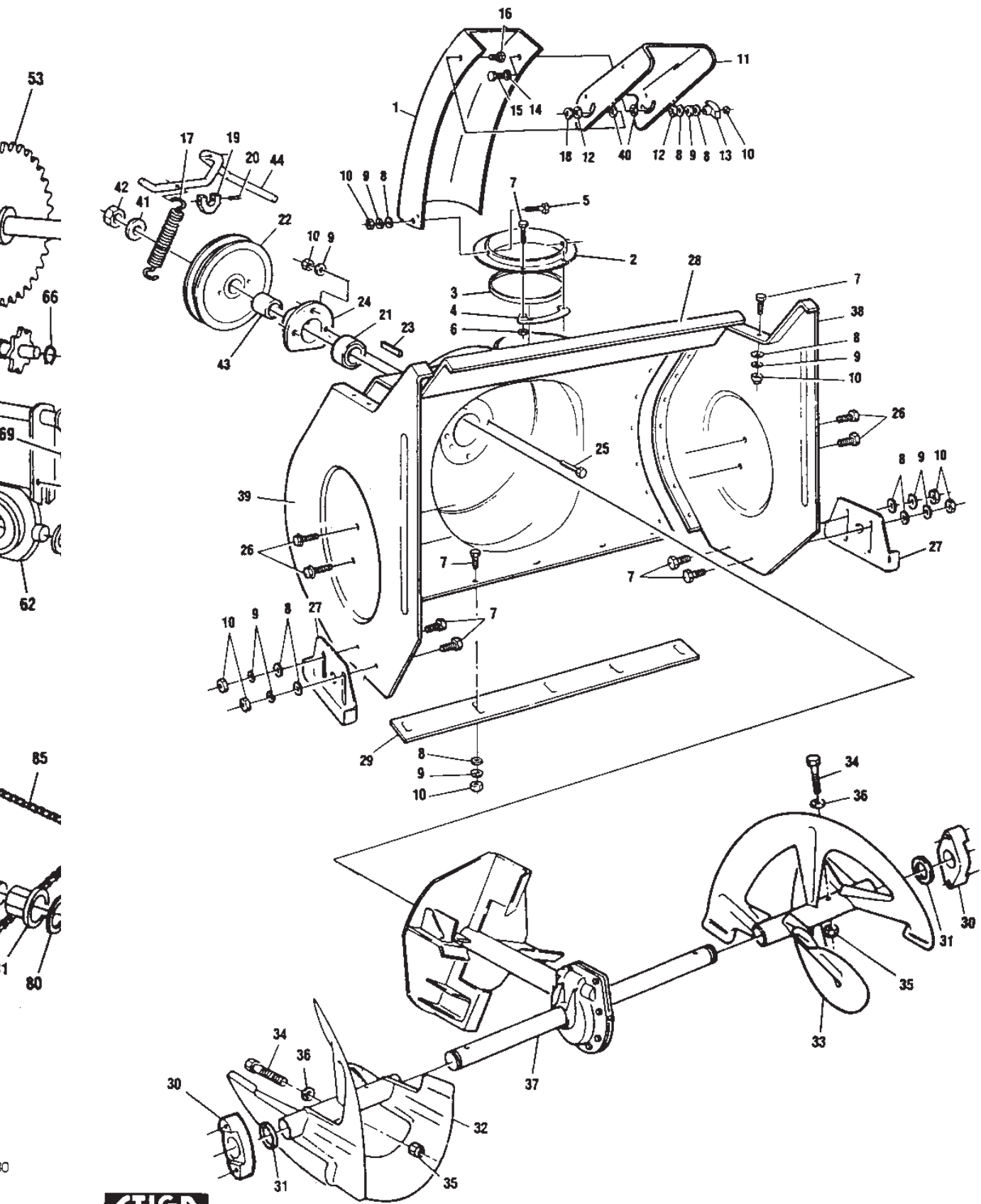
Utgåva Issue 41 - 2014		Styre Reglage		Handle Controls	
Pos. Fig.	Antal Quantity	Art nr Part No	Benämning	Description	Anmärkning Notes
47	3	9988-3745-12	Skruv	Screw	
47	3	9988-3745-12	Skruv	Screw	
48	3	9743-3721-32	Mutter	Nut	
48	3	9743-3721-32	Mutter	Nut	
49	1	1812-0394-01	Öglebult	Eyebolt	
50	1	1812-0203-01	Bussning	Bushing	
51	1	1133-0650-01	Handtag	Handle	
53	1	9599-0054-02	SaxSprint	Split Pin	
54	1	1812-0675-01	Stag	Rod Chute Control	
55	1	1812-0646-01	Plastknopp	Plastic cap	
56	2	9743-5421-32	Mutter	Nut	
57	2	9683-0055-02	Bricka	Washer	
58	1	1812-0673-01	Fäststag Vä	Bracket Chute Rotate L.H	
59	1	1812-0910-01	Fäste	Bracket	
60	2	9899-3622-16	Skruv	Screw	
61	1	1812-0553-01	Däck-underdel Styre-underdel	Handle Lower Part	
62	2	9743-3721-32	Mutter	Nut	
63	1	1812-1195-01	Strålkastarlins	Lens Cover	
64	1	1812-1187-01	Lampfäste	Bracket Light	
65	1	1812-1196-01	Strålkastarhus	Housing Light	
66	1	1812-1245-01	Glödlampa	Light Bulb	
67	1	1812-1197-01	Lamphållare	Lamp holder	
68	1	1812-1169-01	Kabelhärva	Wiring harness	
69	2	1812-1171-01	Bricka	Washer	
70	1	1812-1170-01	Hylsa-öglebult	Boot Eye Bolt Boot-eye bolt	
71	1	1812-1172-01	Adapter	Adaptor Boot Boot adaptor	
73	1	9795-3531-02	Mutter	Nut	
74	2	1812-0387-01	Skruv	Screw	



Utgåva Issue 41 - 2014		Remtransmission		Belt Transmission	
Pos. Fig.	Antal Quantity	Art nr Part No	Benämning	Description	Anmärkning Notes
2	4	9988-3632-16	Skruv	Screw	
3	6	9683-0030-02	Bricka	Washer	
4	1	1812-1299-01	Chassi	Motor mount	
4	1	1812-1299-01	Chassi	Motor mount	
5	1	1812-1228-01	Remskydd	Belt Cover	
6	4	1812-0384-01	Skruv	Screw	
7	3	9699-0026-02	Bricka	Washer	
8	1	1812-1257-01	Bottenplåt	Bottom Panel	
9	1	1812-0404-01	Låsning	Retainer	
10	2	1812-0328-01	Bussning	Bushing	
11	1	1812-1203-01	Wire	Cable Eye Lever	
12	1	1812-0401-01	Stift	Pin	
13	1	1812-1212-01	Spännarm	Auger Clutch Cable Lever	
14	1	1812-1232-01	Spännarm	Auger Clutch	
16	1	1812-1205-01	Spole	Spool	
17	1	9988-3545-12	Skruv	Screw	
18	1	9743-3521-32	Mutter	Nut	
19	2	1812-0533-01	Remstyrning	Belt Guide	
20	2	1812-1128-01	Bult	Bolt	
21	2	9988-3732-12	Skruv	Screw	
22	1	1812-1211-01	Spännarm	Idler Lever	
23	2	1812-0305-01	Spännrulle	Tension Roller	
24	2	9743-3721-32	Mutter	Nut	
25	1	9743-3621-32	Mutter	Nut	
26	1	1812-1208-01	Bussning	Bushing	
27	1	9699-0062-02	Bricka	Washer	
28	1	9988-3619-16	Skruv	Screw	
29	2	1812-0329-01	Fjäder	Spring	
30	2	1812-1201-01	Motorremskiva	Traction Pulley	
31	1	1812-1202-01	Bricka	Washer	
32	2	1812-1206-01	Distans	Spacer	
33	1	1812-9016-01	Kilrem	V-Belt	
34	1	1812-1236-01	Remskiva	Traction Pulley	
35	1	1812-1237-01	Bricka	Wave Washer	
36	1	1812-1190-01	Bricka	Flat washer	
37	1	9683-0025-02	Bricka	Washer	
38	1	9988-3516-16	Skruv	Screw	
39	1	1812-1239-01	Kil	Square Key	
40	1	9699-0029-02	Bricka	Washer	
41	2	9727-3541-22	Mutter	Nut	
42	1	1812-1233-01	Bromsarm	Cam Brake Arm	
43	2	9699-0028-02	Bricka	Washer	
44	2	1812-0735-01	Skruv	Carr.Bolt	
45	1	1812-9017-01	Kilrem	V-Belt	
46	1	1812-0332-01	Motorremskiva	Engine Pulley	
47	1	1812-0283-01	Bricka	Washer	
48	1	9683-0035-02	Bricka	Washer	
49	1	9987-5225-16	Skruv	Screw	
56	2	1812-0385-01	Skruv	Screw	



Utgåva Issue 41 - 2014		Framdrivning Drive Train			
Pos. Fig.	Antal Quantity	Art nr Part No	Benämning	Description	Anmärkning Notes
3	4	9683-0030-02	Bricka	Washer	
10	2	1812-0328-01	Bussning	Bushing	
15	1	1812-1284-01	Axel	Axle	
15	1	1812-1284-01	Axel	Axle	
18	1	9743-3521-32	Mutter	Nut	
37	4	9683-0025-02	Bricka	Washer	
50	1	1812-1248-01	Speed select lever	Speed select lever	
51	1	1812-1219-01	Plastbussning	Plastic Bushing	
52	1	9743-3721-32	Mutter	Nut	
53	1	1812-1256-01	Axel M.Kedjedrev (12 Mm)	Jack Shaft	Diam = 12.0 mm
53	1	1812-1256-01	Axel M.Kedjedrev (12 Mm)	Jack Shaft	Diam = 12.0 mm
54	1	1812-1209-01	Kedja	Chain Roller	
55	2	1812-1200-01	Lagerhållare	Bearing Retainer	
55	2	1812-1178-01	Glidlager m.hållare	Bearing & Retainer	
55	2	1812-1200-01	Lagerhållare	Bearing Retainer	
55	2	1812-1178-01	Glidlager m.hållare	Bearing & Retainer	
56	8	1812-0385-01	Skruv	Screw	
57	1	1812-9002-01	Friktionshjul	Friction Disc	
58	3	9988-3516-16	Skruv	Screw	
59	1	1812-1247-01	Nav-Friktionshjul	Friction Wheel Hub	
60	4	9795-3531-02	Mutter	Nut	
61	2	1812-1204-01	Bricka	Washer	
62	2	1812-0450-01	Bärlager	Bearing	
63	4	9699-0115-02	Bricka	Washer	
64	2	1812-0402-01	Låsring	Retaining Ring	
65	1	1812-1215-01	Sexkantsaxel	Hex Shaft	
66	1	1812-1164-01	Låsring	Retainer Ring	
67	1	1812-1269-01	Friktionshjul	Friction Disc	
68	1	1812-1218-01	Traction shaft	Traction shaft	
69	2	9599-0073-02	Saxsprint	Split Pin	
70	1	1812-1217-01	Fjäderarm	Traction Spring Lever	
71	1	9988-3516-16	Skruv	Screw	
72	1	1812-0364-01	Fjäder	Spring	
73	1	1812-1262-01	Axel	Traction Hex Shaft	
74	1	1812-1238-01	Bricka	Washer	
75	2	1812-1229-01	Kullager	Ball Bearing	
76	1	1812-1114-01	Bult Skruv	Bolt Screw	
77	1	1812-0812-01	Mutter	Nut	
78	4	1812-1073-01	Bussning	Bushing	
79	2	1812-1266-01	Hjul kpl-hö	Wheel	4.80 x 4.00
80	2	1812-0665-01	Bricka	Washer	
81	2	1812-0820-01	Lager	Bearing	
82	1	1812-0567-01	Låsning Bricka	Retainer ring Washer	
84	1	9988-3557-12	Skruv	Screw	
85	1	1812-1255-01	Kedja	Chain	
85	1	1812-1255-01	Kedja	Chain	
86	1	1812-0408-01	Låssprint	Clik Pin	
87	2	1812-1207-01	Kullager	Ball Bearing	
88	4	9795-3731-02	Mutter	Nut	



Utgåva Issue 41 - 2014		Slungenhet		Auger Assy	
Pos. Fig.	Antal Quantity	Anmärkning Notes Part No	Benämning	Description	Anmärkning Notes
2	1	1812-1220-01	Kuggkrans	Flange	
3	1	1812-1180-01	Utkastring	Chute Ring	
4	3	1812-1198-01	Hållare	Retainer	
5	2	1812-0388-01	Skruv	Screw	
6	6	1812-0389-01	Mutter	Nut	
7	30	9899-3622-16	Skruv	Screw	
8	29	9699-0028-02	Bricka	Washer	
9	32	9683-0030-02	Bricka	Washer	
10	32	9795-3631-02	Mutter	Nut	
17	1	1812-1162-01	Return spring	Return spring	
19	1	1812-1244-01	Bromsbelägg	Brake Pad	
20	1	1812-0401-01	Stift	Pin	
21	1	1812-1229-01	Kullager	Ball Bearing	
22	1	1812-1260-01	Remskiva (Diam. 165 Mm)	Auger Pulley	
23	1	1812-1167-01	Kil	Key	
24	1	1812-1250-01	Lagerhållare	Retainer Bearing	
25	3	9988-3616-16	Skruv	Screw	
26	4	1812-0387-01	Skruv	Screw	
27	2	1812-1158-01	Släpsko	Height Adjuster	
28	1	1812-1270-01	Auger housing	Auger housing	
29	1	1812-1258-01	Skrapskär	Scraper Bar 27	
29	1	1812-1258-01	Skrapskär	Scraper Bar 27	
30	2	1812-0347-01	Lager	Bearing	
31	2	1812-0397-01	Distans	Spacer	
32	1	1812-1275-01	Snöskruv-hö	Auger R.H.	
32	1	1812-1275-01	Snöskruv-hö	Auger R.H.	
33	1	1812-1274-01	Snöskruv-vä	Auger L.H.	
33	1	1812-1274-01	Snöskruv-vä	Auger L.H.	
34	1	1812-9005-01	Brytbultsats	Shear Bolt Kit	
36	2	1812-0531-01	Distans	Spacer	
37	1	1812-1278-01	Snäckväxel kpl	Gear Box Assy	
37	1	1812-1278-01	Snäckväxel kpl	Gear Box Assy	
38	1	1812-0868-01	Sidoplåt Vä	Side Plate L.H	
39	1	1812-0869-01	Sidoplåt Hö	Side Plate R.H	
41	1	9699-0038-02	Bricka	Washer	
42	1	9743-5421-32	Mutter	Nut	
43	1	1812-1263-01	Distans	Spacer	
44	1	1812-1235-01	Bromsarm	Rod Brake Arm	

1812-1278-01 0— 1
 1812-1278-01 0— 1
 1812-0344-01 1— 2
 1812-0343-01 3— 2
 1812-0227-

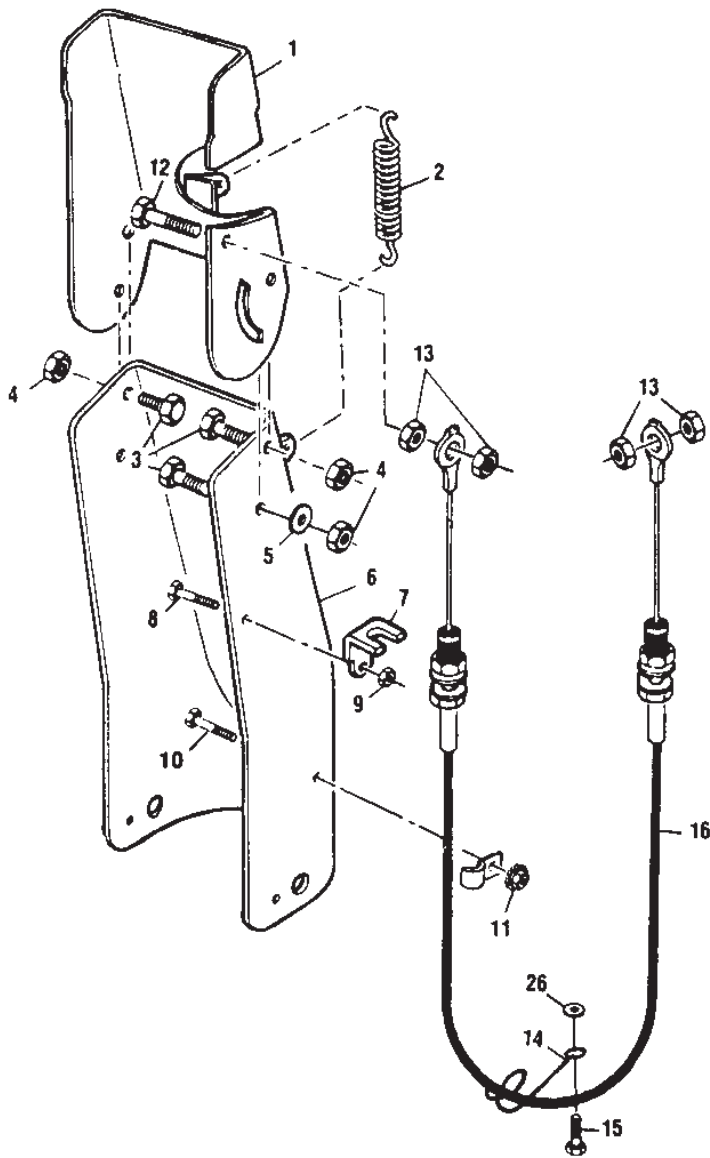
Reservdelskatalog
 Parts Catalogue



Reservdelskatalog
 Parts Catalogue

ST827

1812-0345-01
 5—
 2
 1812-0409-01
 6—
 1
 1812-0335-01
 7—
 1
 1812-0226-01
 8—
 1
 1812-0228-01
 9—
 1
 1812-1276-01
 10—
 1
 1812-1276-01
 10—
 1
 9987-5145-12
 11—
 1
 1812-0341-01
 12—
 1
 1812-1259-01
 13—
 1
 1812-1167-01
 14—
 1
 1812-0285-01
 15—
 1
 1812-0857-01
 16—
 2
 1812-0307-01
 17—
 1
 1812-0336-01
 18—
 1
 1812-0297-01
 21—
 1
 1812-0346-01
 22—
 1
 1812-1264-01
 24—
 1
 1812-1264-01
 24—
 1
 1812-1338-01
 24—
 1
 9987-5125-16
 26—
 7
 9743-5121-02
 27—
 8



Utgåva Issue	Fjärreglage				Remote Chute	
Pos. Fig.	Antal Quantity	Anmärkning Notes	Part No	Benämning	Description	Anmärkning Notes
41 - 2014						
Ugr Gear Box						
gear Box Assy	1		1812-1160-01	Utkastskärm	Chute Deflector	
gear Box Assy	2		1812-0574-01	Fjäder	Spring	
ing	3		9988-3619-16	Skruv	Screw	
aring	4		9743-3621-32	Mutter	Nut	
gear case-LH Gear	5		1812-0667-01	Plastbricka	Washer	
asher	6		1812-1302-01	Utkaströr	Chute Extension	
odruff Key	7		1812-0581-01	Fäste	Bracket	
orm Gear	8		9988-3613-16	Skruv	Screw	
sket	9		1812-0811-01	Mutter	Nut	
gear case-RH Gear	10		1812-0629-01	Skruv	Screw	
ger Shaft	11		1812-0630-01	Mutter	Nut	
ger Shaft	12		9988-3525-16	Skruv	Screw	
rew	13		9743-3521-32	Mutter	Nut	
ng	14		1812-0580-01	Kabelhållare	Cable Holder	
aring Impeller St	15		9988-3670-12	Skruv	Screw	
y	16		1812-0578-01	Reglagekabel	Cable	
edle Bearing	26		9699-0028-02	Bricka	Washer	
rust Washer						
y						
ar						
aring						
Plug						
pellor						
pellor Shaft W.Fan						
pellor						
pellor Shaft W.Fan						
rew						
t						

code	pos.	q.ty	page											
1111-9028-02	99	1	p. 5	1812-0811-01	9	1	p. 25	1812-1232-01	14	1	p. 19			
1133-0650-01	51	1	p. 17	1812-0812-01	77	1	p. 21	1812-1233-01	42	1	p. 19			
1812-0203-01	50	1	p. 17	1812-0820-01	81	2	p. 21	1812-1235-01	44	1	p. 23			
1812-0226-01	8	1	p. 24	1812-0821-01	13	2	p. 15	1812-1236-01	34	1	p. 19			
1812-0227-01	4	1	p. 24	1812-0830-01	46	2	p. 15	1812-1237-01	35	1	p. 19			
1812-0228-01	9	1	p. 24	1812-0834-01	20	1	p. 15	1812-1238-01	74	1	p. 21			
1812-0249-01	18	2	p. 15	1812-0857-01	16	2	p. 24	1812-1239-01	39	1	p. 19			
1812-0256-03	4	1	p. 15	1812-0868-01	38	1	p. 23	1812-1242-01	34	1	p. 15			
1812-0283-01	47	1	p. 19	1812-0869-01	39	1	p. 23	1812-1244-01	19	1	p. 23			
1812-0285-01	15	1	p. 24	1812-0910-01	59	1	p. 17	1812-1245-01	66	1	p. 17			
1812-0297-01	21	1	p. 24	1812-0955-01	11	2	p. 15	1812-1247-01	59	1	p. 21			
1812-0303-01	37	1	p. 15	1812-1073-01	78	4	p. 21	1812-1248-01	50	1	p. 21			
1812-0304-01	28	1	p. 15	1812-1114-01	76	1	p. 21	1812-1249-01	27	1	p. 15			
1812-0305-01	23	2	p. 19	1812-1128-01	20	2	p. 19	1812-1250-01	24	1	p. 23			
1812-0307-01	17	1	p. 24	1812-1158-01	27	2	p. 23	1812-1255-01	85	1	p. 21			
1812-0328-01	10	2	p. 19	1812-1159-01	38	1	p. 15	1812-1255-01	85	1	p. 21			
1812-0328-01	10	2	p. 21	1812-1160-01	1	1	p. 25	1812-1256-01	53	1	p. 21			
1812-0329-01	29	2	p. 19	1812-1162-01	17	1	p. 23	1812-1256-01	53	1	p. 21			
1812-0332-01	46	1	p. 19	1812-1164-01	66	1	p. 21	1812-1257-01	8	1	p. 19			
1812-0335-01	7	1	p. 24	1812-1167-01	14	1	p. 24	1812-1258-01	29	1	p. 23			
1812-0336-01	18	1	p. 24	1812-1167-01	23	1	p. 23	1812-1258-01	29	1	p. 23			
1812-0341-01	12	1	p. 24	1812-1168-01	3	1	p. 15	1812-1259-01	13	1	p. 24			
1812-0343-01	3	2	p. 24	1812-1169-01	68	1	p. 17	1812-1260-01	22	1	p. 23			
1812-0344-01	1	2	p. 24	1812-1170-01	70	1	p. 17	1812-1262-01	73	1	p. 21			
1812-0345-01	5	2	p. 24	1812-1171-01	69	2	p. 17	1812-1263-01	43	1	p. 23			
1812-0346-01	22	1	p. 24	1812-1172-01	71	1	p. 17	1812-1264-01	24	1	p. 24			
1812-0347-01	30	2	p. 23	1812-1178-01	55	2	p. 21	1812-1264-01	24	1	p. 24			
1812-0364-01	72	1	p. 21	1812-1178-01	55	2	p. 21	1812-1266-01	79	2	p. 21			
1812-0384-01	6	4	p. 19	1812-1180-01	3	1	p. 23	1812-1269-01	67	1	p. 21			
1812-0385-01	56	2	p. 19	1812-1183-01	1	1	p. 15	1812-1270-01	28	1	p. 23			
1812-0385-01	56	8	p. 21	1812-1184-01	5	1	p. 15	1812-1274-01	33	1	p. 23			
1812-0387-01	26	4	p. 23	1812-1185-01	24	1	p. 15	1812-1274-01	33	1	p. 23			
1812-0387-01	74	2	p. 17	1812-1186-01	15	2	p. 15	1812-1275-01	32	1	p. 23			
1812-0388-01	5	2	p. 23	1812-1187-01	64	1	p. 17	1812-1275-01	32	1	p. 23			
1812-0389-01	6	6	p. 23	1812-1188-01	21	1	p. 15	1812-1276-01	10	1	p. 24			
1812-0394-01	49	1	p. 17	1812-1189-01	19	1	p. 15	1812-1276-01	10	1	p. 24			
1812-0396-01	22	2	p. 15	1812-1190-01	36	1	p. 19	1812-1278-01	0	1	p. 24			
1812-0397-01	31	2	p. 23	1812-1192-01	39	1	p. 15	1812-1278-01	0	1	p. 24			
1812-0401-01	12	1	p. 19	1812-1193-01	26	1	p. 15	1812-1278-01	37	1	p. 23			
1812-0401-01	20	1	p. 23	1812-1194-01	17	1	p. 15	1812-1278-01	37	1	p. 23			
1812-0402-01	64	2	p. 21	1812-1194-01	17	1	p. 15	1812-1280-01	23	1	p. 15			
1812-0404-01	9	1	p. 19	1812-1195-01	63	1	p. 17	1812-1284-01	15	1	p. 21			
1812-0408-01	86	1	p. 21	1812-1196-01	65	1	p. 17	1812-1284-01	15	1	p. 21			
1812-0409-01	6	1	p. 24	1812-1197-01	67	1	p. 17	1812-1293-01	30	1	p. 15			
1812-0450-01	62	2	p. 21	1812-1198-01	4	3	p. 23	1812-1297-01	9	1	p. 15			
1812-0520-01	16	2	p. 15	1812-1200-01	55	2	p. 21	1812-1298-01	10	1	p. 15			
1812-0531-01	36	2	p. 23	1812-1200-01	55	2	p. 21	1812-1299-01	4	1	p. 19			
1812-0533-01	19	2	p. 19	1812-1201-01	30	2	p. 19	1812-1299-01	4	1	p. 19			
1812-0553-01	61	1	p. 17	1812-1202-01	31	1	p. 19	1812-1302-01	6	1	p. 25			
1812-0567-01	82	1	p. 21	1812-1203-01	11	1	p. 19	1812-1303-01	41	1	p. 15			
1812-0574-01	2	1	p. 25	1812-1204-01	61	2	p. 21	1812-1338-01	24	1	p. 24			
1812-0578-01	16	1	p. 25	1812-1205-01	16	1	p. 19	1812-1338-01	24	1	p. 24			
1812-0580-01	14	1	p. 25	1812-1206-01	32	2	p. 19	1812-9002-01	57	1	p. 21			
1812-0581-01	7	1	p. 25	1812-1207-01	87	2	p. 21	1812-9005-01	34	1	p. 23			
1812-0622-01	36	1	p. 15	1812-1208-01	26	1	p. 19	1812-9016-01	33	1	p. 19			
1812-0629-01	10	1	p. 25	1812-1209-01	54	1	p. 21	1812-9017-01	45	1	p. 19			
1812-0630-01	11	1	p. 25	1812-1210-01	43	1	p. 15	6021A	126	4	p. 5			
1812-0646-01	55	1	p. 17	1812-1211-01	22	1	p. 19	9400-0225-00	99	1	p. 5			
1812-0660-01	40	4	p. 15	1812-1212-01	13	1	p. 19	9599-0054-02	32	1	p. 15			
1812-0665-01	80	2	p. 21	1812-1215-01	65	1	p. 21	9599-0054-02	53	1	p. 17			
1812-0667-01	5	1	p. 25	1812-1217-01	70	1	p. 21	9599-0073-02	69	2	p. 21			
1812-0673-01	58	1	p. 17	1812-1218-01	68	1	p. 21	9683-0025-02	37	1	p. 19			
1812-0675-01	54	1	p. 17	1812-1219-01	51	1	p. 21	9683-0025-02	37	4	p. 21			
1812-0733-01	12	8	p. 15	1812-1220-01	2	1	p. 23	9683-0030-02	3	4	p. 21			
1812-0733-01	12	8	p. 15	1812-1228-01	5	1	p. 19	9683-0030-02	3	6	p. 19			
1812-0735-01	44	2	p. 19	1812-1229-01	21	1	p. 23	9683-0030-02	7	11	p. 15			
				1812-1229-01	75	2	p. 21	9683-0030-02	9	32	p. 23			

code	pos.	q.ty	page									
9683-0035-02	44	4	p. 15	27554	18	1	p. 13	35135	82	1	p. 5	
9683-0035-02	48	1	p. 19	27642	3	2	p. 3	35253	95	1	p. 5	
9683-0035-02	89	4	p. 22	27652	5	2	p. 3	35262	24	1	p. 3	
9683-0055-02	57	2	p. 17	27878A	66	1	p. 5	35305	161	1	p. 7	
9699-0026-02	7	3	p. 19	27881	69	2	p. 5	35319	4	1	p. 3	
9699-0028-02	8	29	p. 23	27882	68	1	p. 5	35319	27	1	p. 3	
9699-0028-02	26	1	p. 25	27888	10	2	p. 3	35350	108	1	p. 5	
9699-0028-02	33	1	p. 15	27896A	104	2	p. 5	35355	176	1	p. 7	
9699-0028-02	43	2	p. 19	27915A	120	1	p. 5	35371	1	1	p. 3	
9699-0029-02	2	8	p. 15	28423	105	1	p. 5	35373A	17	1	p. 3	
9699-0029-02	2	8	p. 15	28424	106	1	p. 5	35374	18	1	p. 3	
9699-0029-02	40	1	p. 19	28425	107	1	p. 5	35375	21	1	p. 3	
9699-0038-02	41	1	p. 23	28545	153	1	p. 7	35376	25	1	p. 3	
9699-0062-02	27	1	p. 19	28820	122	2	p. 5	35377	26	1	p. 3	
9699-0115-02	63	4	p. 21	28942	156	2	p. 7	35378	41	1	p. 3	
9727-3541-22	41	2	p. 19	29193	40	1	p. 3	35385	1	1	p. 3	
9743-3521-32	13	4	p. 25	29216	51	1	p. 3	35392	199	1	p. 7	
9743-3521-32	14	2	p. 15	29443	77	1	p. 5	35438	159	1	p. 7	
9743-3521-32	18	1	p. 19	29642	36	1	p. 3	35440	147	1	p. 7	
9743-3521-32	18	1	p. 21	29747B	144	2	p. 7	35446	195	1	p. 7	
9743-3521-32	42	2	p. 15	29752	114	2	p. 5	35447A	130	1	p. 5	
9743-3621-32	4	3	p. 25	29752	196	4	p. 7	35499	59	1	p. 5	
9743-3621-32	25	1	p. 19	29774	180	1	p. 7	35540	62	1	p. 5	
9743-3721-32	24	2	p. 19	29826	50	1	p. 3	35554	60	1	p. 5	
9743-3721-32	29	1	p. 15	29916	49	1	p. 3	35681	17	1	p. 3	
9743-3721-32	48	3	p. 17	29918	53	1	p. 3	35772	10	2	p. 3	
9743-3721-32	48	3	p. 17	30088A	118	2	p. 5	35773	9	1	p. 3	
9743-3721-32	52	1	p. 21	30322	55	1	p. 3	35779	11	1	p. 3	
9743-3721-32	62	2	p. 17	30588A	38	1	p. 3	35857	179	1	p. 7	
9743-5121-02	27	8	p. 24	30590A	39	1	p. 3	35862	68	1	p. 5	
9743-5421-32	42	1	p. 23	30699C	33	1	p. 3	35985A	194	1	p. 7	
9743-5421-32	56	2	p. 17	30705	177	1	p. 7	36205	58	1	p. 3	
9794-5131-02	35	2	p. 15	30968	3	1	p. 3	36245	8	1	p. 3	
9795-3531-02	60	4	p. 21	30969	3	1	p. 3	36448	96	1	p. 5	
9795-3531-02	73	1	p. 17	31342	134	1	p. 7	36449	97	1	p. 5	
9795-3631-02	8	11	p. 15	31588	188	1	p. 7	36450	215	1	p. 9	
9795-3631-02	10	32	p. 23	31839	20	1	p. 13	36451	96	1	p. 5	
9795-3731-02	45	2	p. 15	31840	28	1	p. 13	36452	215	1	p. 9	
9795-3731-02	88	4	p. 21	31845	37	1	p. 3	36460	6	1	p. 3	
9899-3622-16	7	30	p. 23	32180C	132	1	p. 7	570682	131	1	p. 7	
9899-3622-16	60	2	p. 17	32581	70	2	p. 5	590412	7	2	p. 11	
9987-5125-16	26	7	p. 24	32589	76	1	p. 5	590456	12	1	p. 11	
9987-5145-12	11	1	p. 24	33013	145	1	p. 7	590535	12	1	p. 11	
9987-5225-16	49	1	p. 19	33263	115	1	p. 5	590574	13	1	p. 11	
9988-3516-16	38	1	p. 19	33272B	168	1	p. 7	590574	197	1	p. 7	
9988-3516-16	58	3	p. 21	33273A	22	1	p. 3	590598	5	1	p. 11	
9988-3516-16	71	1	p. 21	33369	42	1	p. 3	590599A	1	1	p. 11	
9988-3525-16	12	1	p. 25	33377	123	1	p. 5	590600	2	1	p. 11	
9988-3545-12	17	1	p. 19	33454	52	1	p. 3	590601	4	1	p. 11	
9988-3557-12	84	1	p. 21	33877	117	1	p. 5	590615	3	1	p. 11	
9988-3613-16	8	1	p. 25	33878	140	1	p. 7	590616	6	2	p. 11	
9988-3616-16	25	3	p. 23	34034	20	2	p. 3	590617	7	2	p. 11	
9988-3619-16	3	3	p. 25	34035	67	1	p. 5	590619	9	1	p. 11	
9988-3619-16	6	6	p. 15	34126	152	1	p. 7	590620	10	1	p. 11	
9988-3619-16	28	1	p. 19	34154	172	1	p. 7	590645A	8	1	p. 11	
9988-3632-16	2	4	p. 19	34155	170	1	p. 7	590646	0	1	p. 11	
9988-3645-16	31	2	p. 15	34156A	175	1	p. 7	590647	11	1	p. 11	
9988-3670-12	15	1	p. 25	34329A	9	1	p. 3	590672	0	1	p. 11	
9988-3719-16	90	4	p. 22	34332	11	1	p. 3	590672	213	1	p. 9	
9988-3732-12	21	2	p. 19	34586	158	1	p. 7	590678	5	1	p. 11	
9988-3745-12	47	3	p. 17	34587	121	1	p. 5	590679	3	1	p. 11	
9988-3745-12	47	3	p. 17	34663	138	1	p. 7	590680	6	2	p. 11	
9988-3764-12	25	1	p. 15	34667	139	1	p. 7	590682	8	1	p. 11	
26460	178	4	p. 7	34677	133	1	p. 7	590684	11	1	p. 11	
27110	21	1	p. 13	35056	187	1	p. 7	610118	82	1	p. 5	
27136A	17	1	p. 13	35057A	155	1	p. 7	610973	136	1	p. 7	
				35062	160	1	p. 7	610973	162	1	p. 7	

code	pos.	q.ty	page				
611093	78	1	p. 5	650872	81	2	p. 5
611111	86	1	p. 5	650873	85	1	p. 5
611118	323	1	p. 9	650880	79	1	p. 5
630735	8	1	p. 13	650881	80	1	p. 5
630738	5	1	p. 13	650882	19	1	p. 3
630739	27	2	p. 13	650908	19	1	p. 3
630740	23	2	p. 13	792093	189	2	p. 7
630748	10	1	p. 13				
630766	5	2	p. 13				
631021	12	1	p. 13				
631022	13	1	p. 13				
631024	15	1	p. 13				
631027	11	1	p. 13				
631028	25	1	p. 13				
631036	3	1	p. 13				
631615	1	1	p. 13				
631767	2	1	p. 13				
631776A	1	1	p. 13				
631778	3	1	p. 13				
631807	26	1	p. 13				
631815	9	1	p. 13				
631838	24	1	p. 13				
631951	16	1	p. 13				
631970	2	1	p. 13				
632019	14	1	p. 13				
632107A	0	1	p. 13				
632108	7	1	p. 13				
632112	7	1	p. 13				
632113A	0	1	p. 13				
632164	26	1	p. 13				
632174	9	1	p. 13				
632239	20	1	p. 13				
632281	24	1	p. 13				
632334A	0	1	p. 13				
632334A	212	1	p. 7				
632347	28	1	p. 13				
632370A	0	1	p. 13				
632370A	212	1	p. 7				
650128	23	1	p. 3				
650128	109	2	p. 5				
650378	119	2	p. 5				
650417	6	1	p. 13				
650506	4	2	p. 13				
650548	54	1	p. 3				
650549	135	1	p. 7				
650561	7	2	p. 3				
650561	173	1	p. 7				
650665	174	2	p. 7				
650690	128	3	p. 5				
650691	127	2	p. 5				
650691	127	5	p. 5				
650694A	98	3	p. 5				
650713	171	2	p. 7				
650727	129	2	p. 5				
650760	146	1	p. 7				
650760	154	1	p. 7				
650765	157	1	p. 7				
650767	124	2	p. 5				
650788	143	2	p. 7				
650802	169	1	p. 7				
650814	83	1	p. 5				
650820	2	2	p. 3				
650821	137	2	p. 7				
650832	56	1	p. 3				
650833	57	7	p. 3				
650836	43	2	p. 3				