



Reservdelskatalog Parts Catalogue

ST524

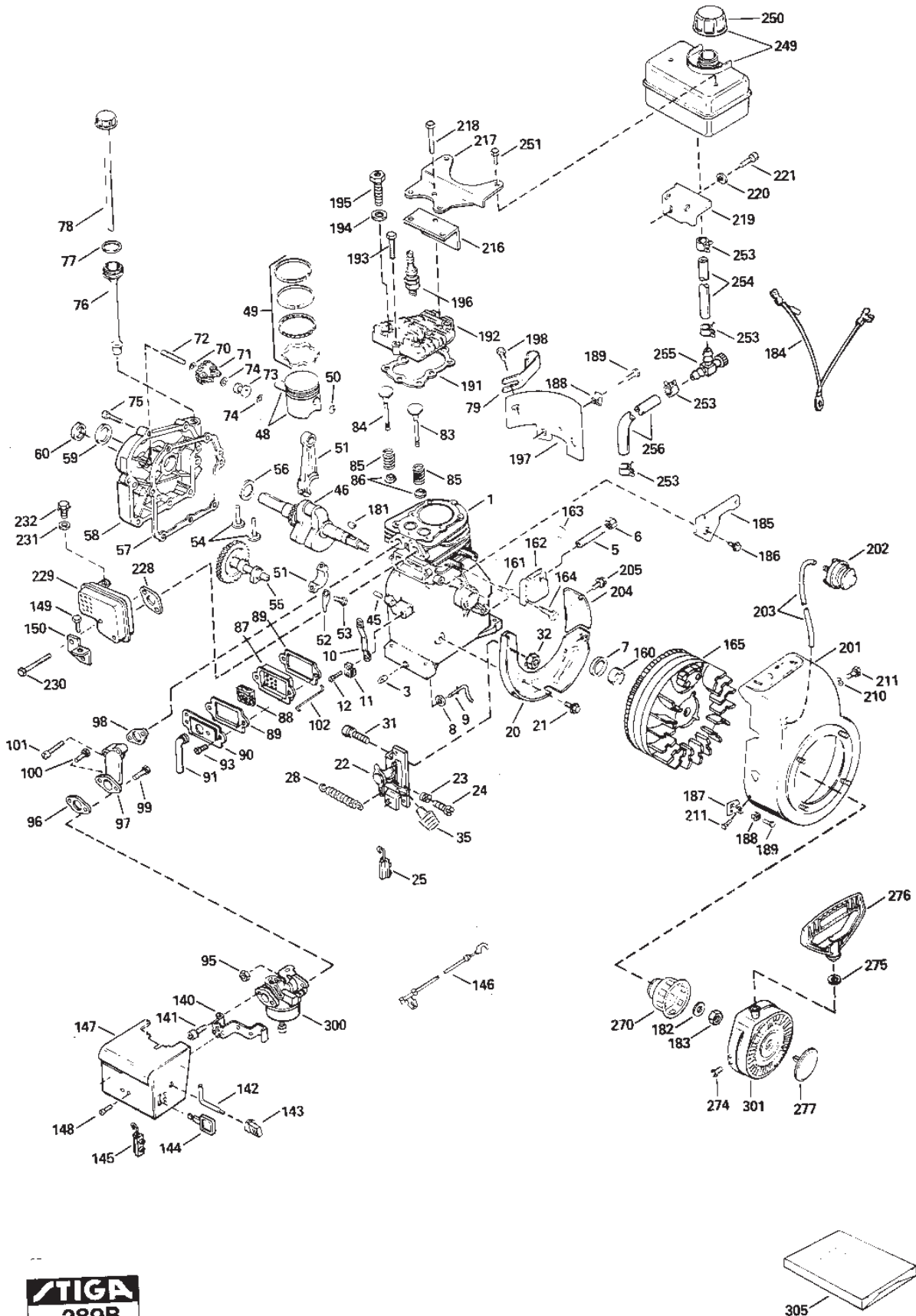
18-2825-15 - Season 1994

- Use GLOBAL GARDEN PRODUCT Genuine Spare Parts specified in the parts list for repair and/or replacement.
 - The contents described in the parts list may change due to improvement.
 - The drawings of the spare parts are only indicative and might not represent the part in question exactly.
 - The indications "right" - "left" - "front" - "rear" refer to the position of the operator when using the machine.
- When placing orders of parts for repair and/or replacement, make sure that the illustrated parts list is the one applying to the machine's year of manufacture, as shown on the identification plate attached to the machine.

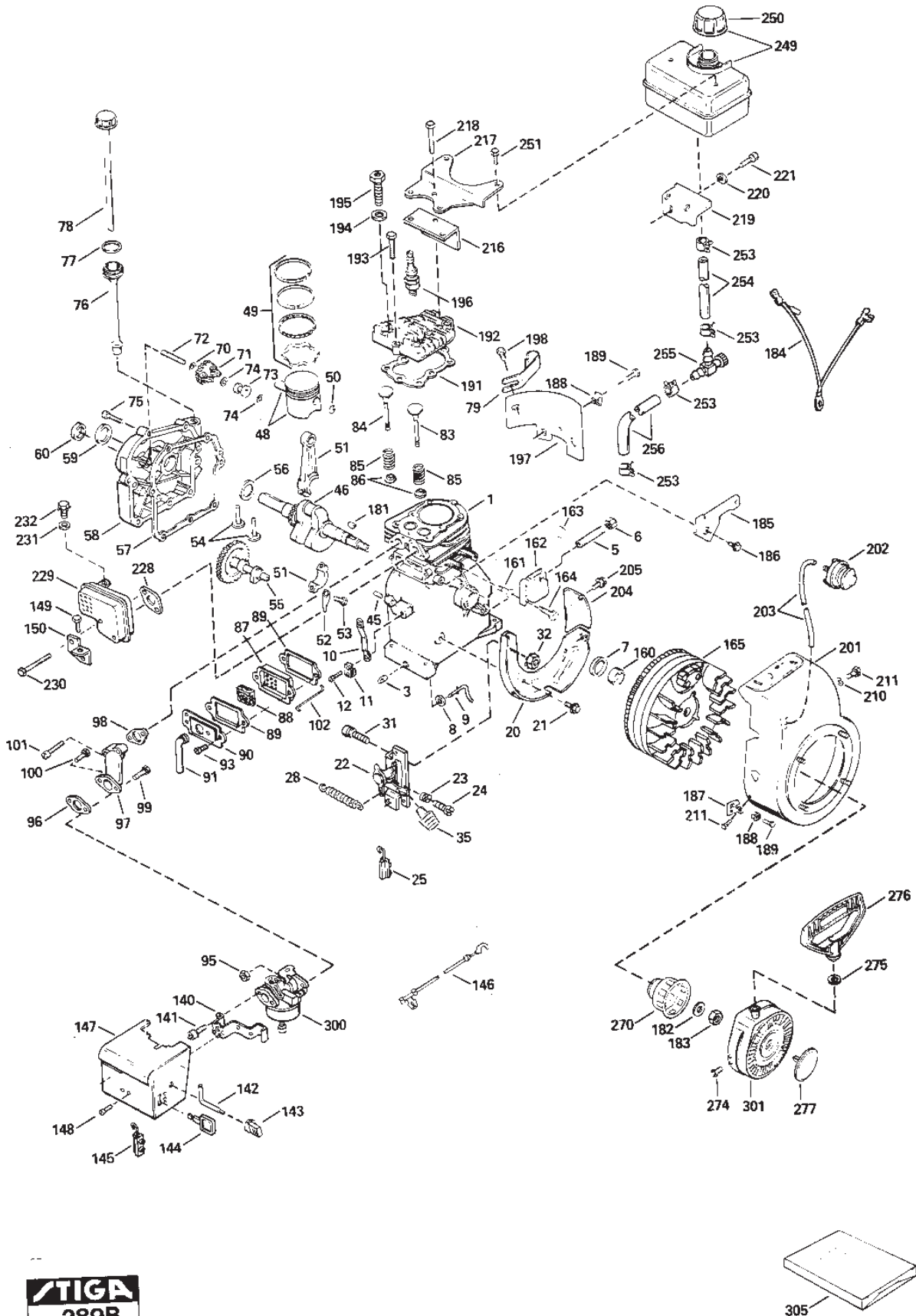
© Copyright 2014 Global Garden Products

All rights reserved. No part of this material may be reproduced or transmitted, in any form or by any means, electronic or mechanical, including photocopying, recording or by any information storage and retrieval system, without permission in writing from GLOBAL GARDEN PRODUCTS.

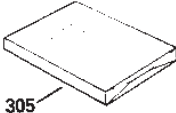
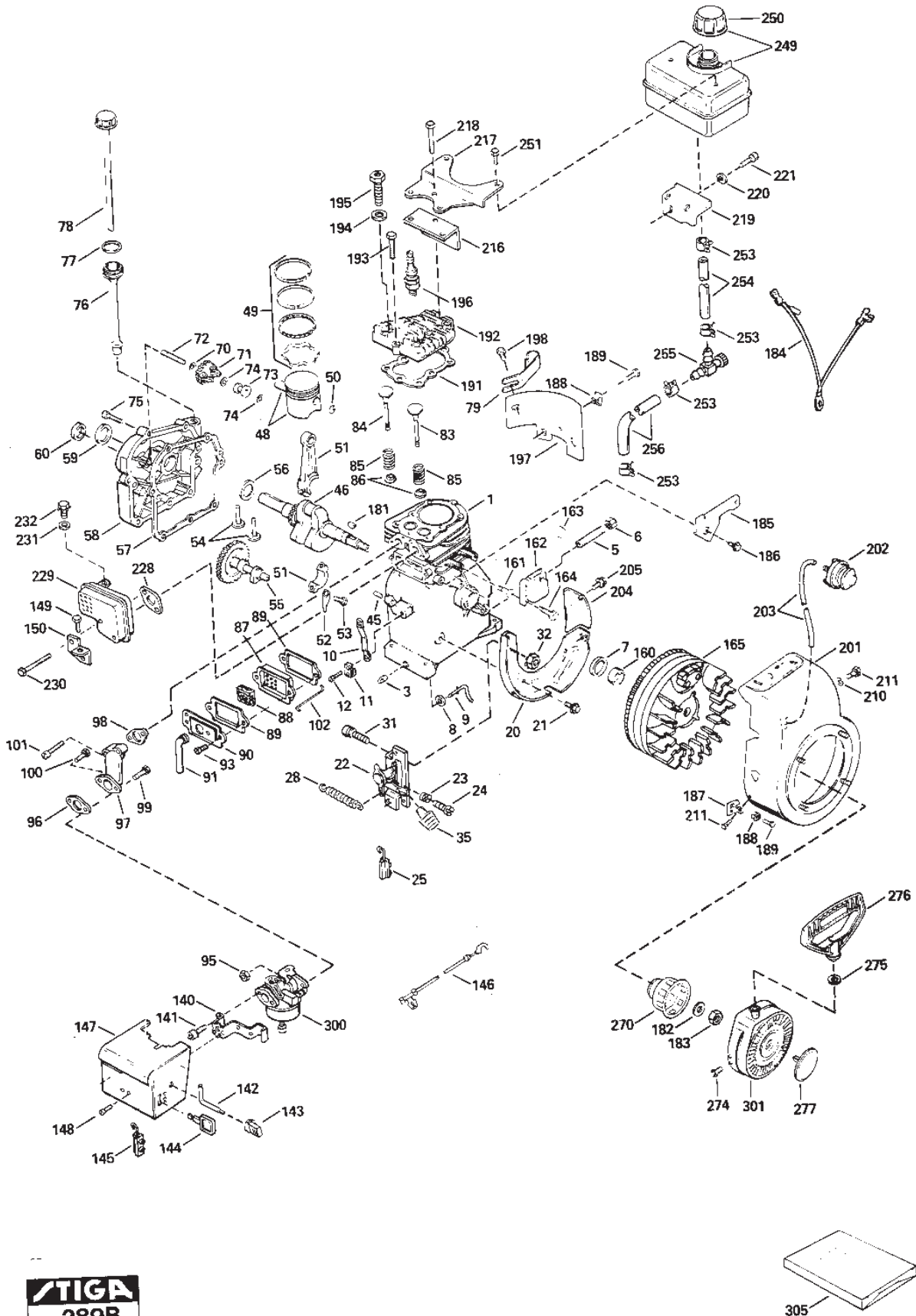
www.stiga.com



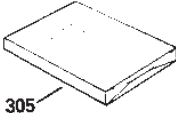
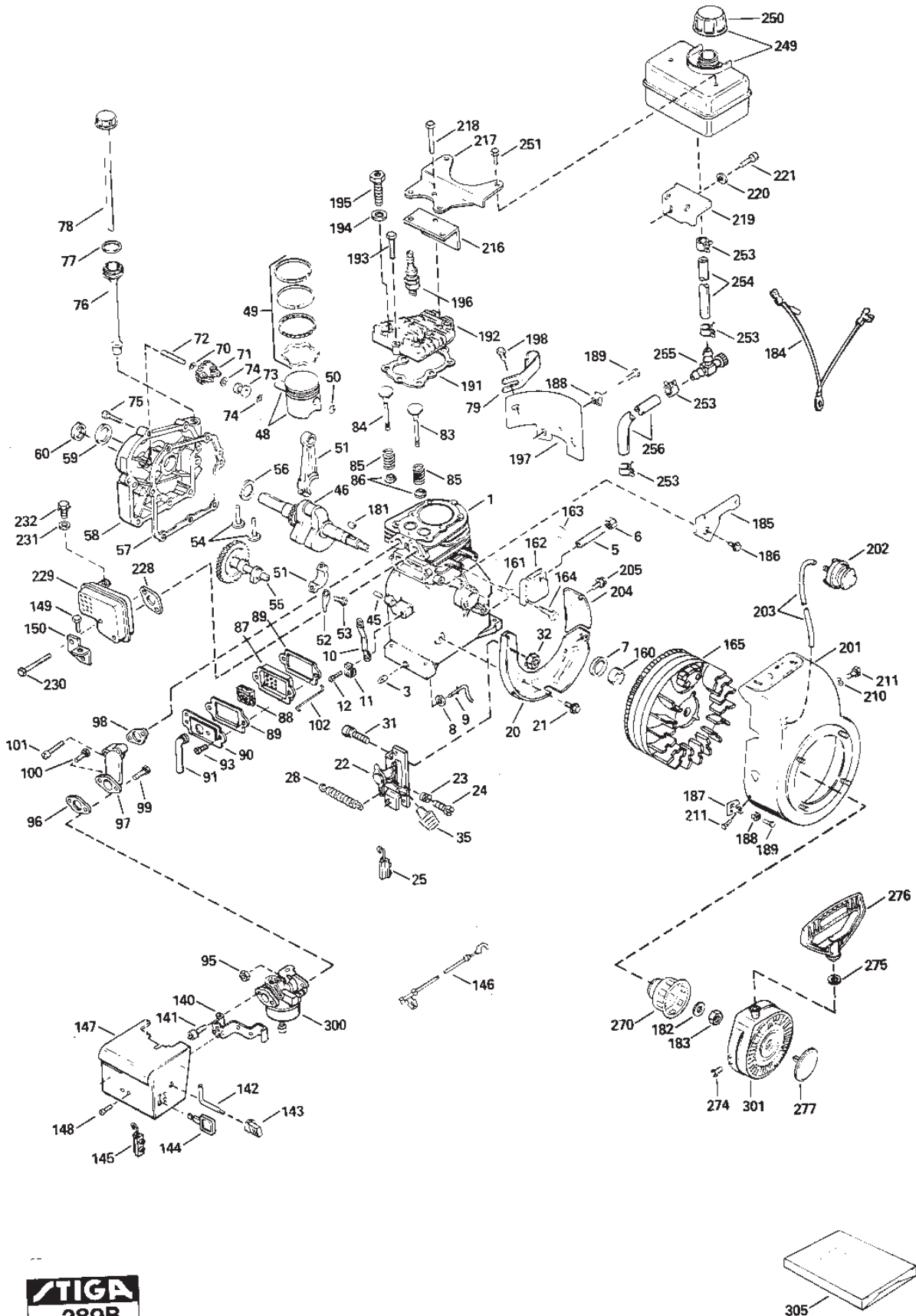
Utgåva Issue 41 - 2014		Tecumseh Hs40 Hs50		Tecumseh Hs40 Hs50	
Pos. Fig.	Antal Quantity	Art nr Part No	Benämning	Description	Anmärkning Notes
1	1	33014C	Cylinder kpl	Cylinder Assy	Inkl.pos. 3,7,45
1	1	33674B	Cylinder kpl	Cylinder Assy	Inkl.pos. 3,7,45
3	1	27642	Oil drain plug	Oil drain plug	
5	1	30968	Rör	Pipe	
6	1	30969	Cap	Cap	
7	1	32600	Oil seal	Oil seal	
8	1	28277	Bricka	Flat washer	
9	1	31334	Governor rod	Governor rod	
10	1	31510	Governor lever	Governor lever	
11	1	31335	Clamp	Clamp	
12	1	650548	Skruv	Screw	
20	1	33342	Baffle	Baffle	
21	2	650561	Skruv	Screw	
22	1	33858A	Bracket control assy	Bracket control assy	Inkl.pos. 23-25,31-32
23	1	31342	Fjäder	Spring	
24	1	650549	Skruv	Screw	
25	1	610973	Terminal	Terminal	
28	1	31426	Fjäder	Spring	
31	1	650139	Skruv	Screw	
32	1	30322	Mutter	Nut	
35	1	35440	Knopp	Knob	
45	2	26727	Styrpinne	Dowel pin	
46	1	34740	Crankshaft	Crankshaft	
46	1	34846	Crankshaft	Crankshaft	
48	1	33562B	Kolv kpl	Piston Assy	Inkl.pos. 50
48	1	35541	Kolvsprint	Piston Pin	Inkl.pos. 50
49	1	33567	Ring set	Ring set	
49	1	35547	Ring set	Ring set	
50	2	20381	Retaining ring	Retaining ring	
51	1	32875	Connecting rod assy	Connecting rod assy	Inkl.pos. 52-53
52	1	32654	Oil dipper	Oil dipper	
53	2	32610A	Skruv	Screw	
54	2	27241	Valve lifter	Valve lifter	
55	1	33158	Kamaxel	Camshaft	
55	1	33696	Kamaxel	Camshaft	
56	1	32323	Bricka	Washer	
57	1	27677A	Packning	Gasket	
58	1	34678	Cylinderkåpa	Cylinder Cover assy	Inkl.pos. 59-60,72
58	1	34674C	Cylinderkåpa	Cylinder Cover assy	Inkl.pos. 59,70-73
59	1	27897	Oil seal	Oil seal	
60	1	30318	Seal	Seal	
70	1	30590A	Bricka	Flat washer	
70	1	35479	Bricka	Washer	
71	1	30591	Governor gear	Governor gear	Inkl.pos. 70
72	1	30574	Governor shaft	Governor shaft	
73	1	30588A	Spool	Spool	
74	2	29193	Retaining ring	Retaining ring	
75	7	650488	Skruv	Screw	
76	1	35554	Oljepåfyllningsrör	Oil fill tube	



Utgåva Issue 41 - 2014		Tecumseh Hs40 Hs50		Tecumseh Hs40 Hs50	
Pos. Fig.	Antal Quantity	Art nr Part No	Benämning	Description	Anmärkning Notes
77	1	35499	O-ring	O-ring	
78	1	35556	Oil dipstick	Oil dipstick	
79	1	35539	Clip	Clip	
83	1	29313C	Exhaust valve	Exhaust valve	Inkl.pos. 86
84	1	32644A	Insugningsventil	Intake valve	Inkl.pos. 86
85	2	31672	Valve spring	Valve spring	
86	2	31673	Valve cap	Valve cap	
87	1	27666	Valve cover body	Valve cover body	
88	1	31410	Filterelement	Element	
89	2	27234A	Packning	Gasket	
90	1	34146	Cover	Cover	
91	1	35350	Rör	Tube	
93	2	30200	Skruv	Screw	
93	2	650128	Skruv	Screw	
95	2	29752	Mutter	Nut	
96	1	26756	Packning	Gasket	
97	1	32859	Intake pipe	Intake pipe	
97	1	33691	Intake pipe	Intake pipe	
98	1	32649A	Packning	Gasket	
98	1	33673A	Packning	Gasket	
99	1	6201	Skruv	Screw	
100	1	650870	Skruv	Screw	
101	2	650664	Skruv	Screw	
102	1	32698	Länk	Link	
140	1	34583	Choke bracket	Choke bracket	
141	2	28820	Skruv	Screw	
142	1	34582	Choke rod	Choke rod	
143	1	35438	Reglageknopp	Knob	
144	1	35062	Tändningsnyckel	Ignition Key	
145	1	610973	Terminal	Terminal	
146	1	35285	Ground wire	Ground wire	
147	1	35072	Cover	Cover	
148	2	650257	Skruv	Screw	
149	1	650735	Skruv	Screw	
150	1	33333	Fäste	Bracket	
160	1	34080	Distans	Spacer	
161	2	650872	Pinnbult	Mounting stud	
162	1	34443A	Solid state ignition	Solid state ignition	
163	1	610118	Spark plug cover	Spark plug cover	
164	2	650814	Skruv	Screw	
165	1	611081	Flywheel	Flywheel	
181	1	610961	Kil	Key	
182	1	650815	Bricka	Washer	
183	1	650863	Mutter	Nut	
184	1	35557	Ground wire	Ground wire	
185	1	34212	Fäste	Bracket	
186	1	30200	Skruv	Screw	
187	1	34126	Fäste	Bracket	
188	1	28545	Isoleringshylsa	Grommet	

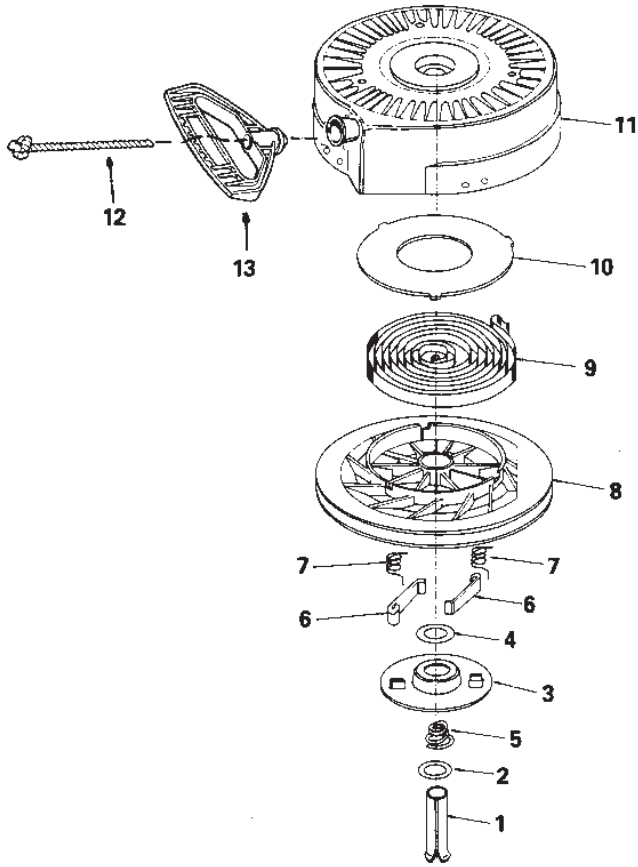


Utgåva Issue 41 - 2014		Tecumseh Hs40 Hs50		Tecumseh Hs40 Hs50	
Pos. Fig.	Antal Quantity	Art nr Part No	Benämning	Description	Anmärkning Notes
188	2	28545	Isoleringshylsa	Grommet	
189	1	650760	Skruv	Screw	
189	2	650760	Skruv	Screw	
191	1	33015A	Packning	Gasket	
191	1	33554A	Packning	Gasket	
191	1	36443	Packning	Gasket	
192	1	33016A	Topplöck	Cylinder Head	Inkl.pos. 218
192	1	36441	Topplöck	Cylinder Head	Inkl.pos. 218
193	1	6021A	Skruv	Screw	
193	2	6021A	Skruv	Screw	
194	1	650691	Bricka	Washer	
194	6	650691	Bricka	Washer	
195	1	650818	Skruv	Screw	
195	6	650818	Skruv	Screw	
196	1	1111-9028-02	Tändstift (J19Lm)	Spark Plug (J19Lm)	Champion J19LM
196	1	9400-0225-00	Tändstift (J19Lm)	Spark Plug (J19Lm)	Champion J19LM
197	1	29745	Extension	Extension	
198	1	650128	Skruv	Screw	
198	2	650128	Skruv	Screw	
201	1	35656	Blower housing	Blower housing	
202	1	570682	Primer	Primer	
203	1	32180C	Primerslang	Primer line	
204	1	33341	Extension	Extension	
204	1	35883	Extension	Extension	
205	1	650701	Skruv	Screw	
205	1	650926	Skruv	Screw	
210	1	650168	Bricka	Washer	
211	2	29212	Skruv	Screw	
216	1	33344	Värmskydd	Heat baffle	
217	1	28371B	Tank plate	Tank plate	
217	1	36247	Tank bracket	Tank bracket	
218	1	650694A	Skruv	Screw	
218	5	650694A	Skruv	Screw	
219	1	34182	Fäste	Bracket	
220	1	650675	Bricka	Washer	
221	1	650805	Skruv	Screw	
228	1	26754A	Packning	Gasket	
228	1	33670A	Packning	Gasket	
229	1	35771	Ljuddämpare	Muffler	Inkl.pos. 228
229	1	32648A	Ljuddämpare	Muffler	
229	1	33697A	Ljuddämpare	Muffler	
230	2	650327	Skruv	Screw	
231	1	8345	Bricka	Washer	
232	1	30063	Skruv	Screw	
249	1	35584	Tank assy	Tank assy	Inkl.pos. 250,253
250	1	35355	Tank cap	Tank cap	
251	2	650665	Skruv	Screw	
253	4	26460	Clamp	Clamp	
254	1	29774	Fuel line	Fuel line	

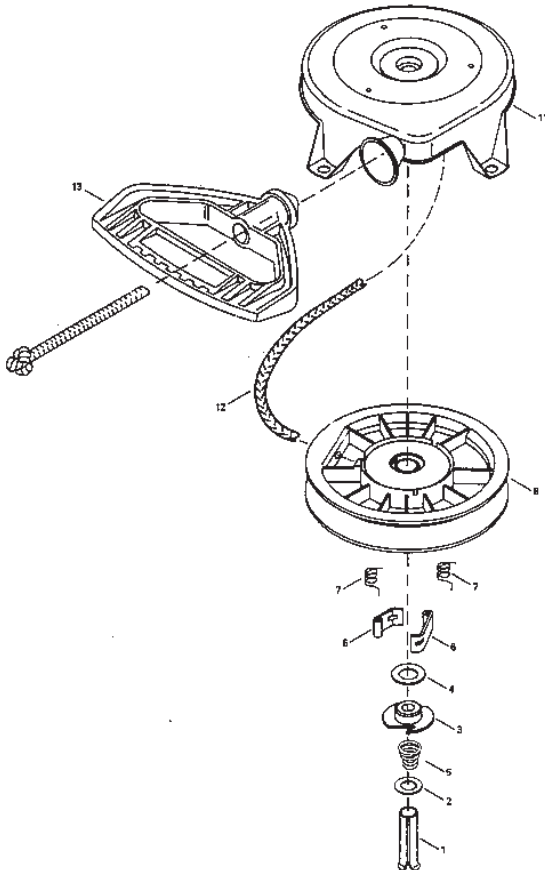


Utgåva Issue 41 - 2014		Tecumseh Hs40 Hs50		Tecumseh Hs40 Hs50	
Pos. Fig.	Antal Quantity	Art nr Part No	Benämning	Description	Anmärkning Notes
255	1	32961	Shut-off valve	Shut-off valve	
255	1	35857	Shut-off valve	Shut-off valve	
256	1	30705	Fuel line	Fuel line	
270	1	34694	Starter cup	Starter cup	
274	2	650884	Skruv	Screw	
274	2	650926	Skruv	Screw	
275	1	650168	Bricka	Washer	
276	1	590574	Styrplåt kpl	Starter handle	
277	1	35392	Plugg	Plug	
300	1	632107A	Förgasare kpl	Carburettor Assy	
300	1	632113A	Förgasare kpl	Carburettor Assy	
301	1	590646	Starter assy	Starter assy	
305	1	33240B	Packningssats	Gasket set	
305	1	33683B	Packningssats	Gasket set	
305	1	36444	Packningssats	Gasket set	

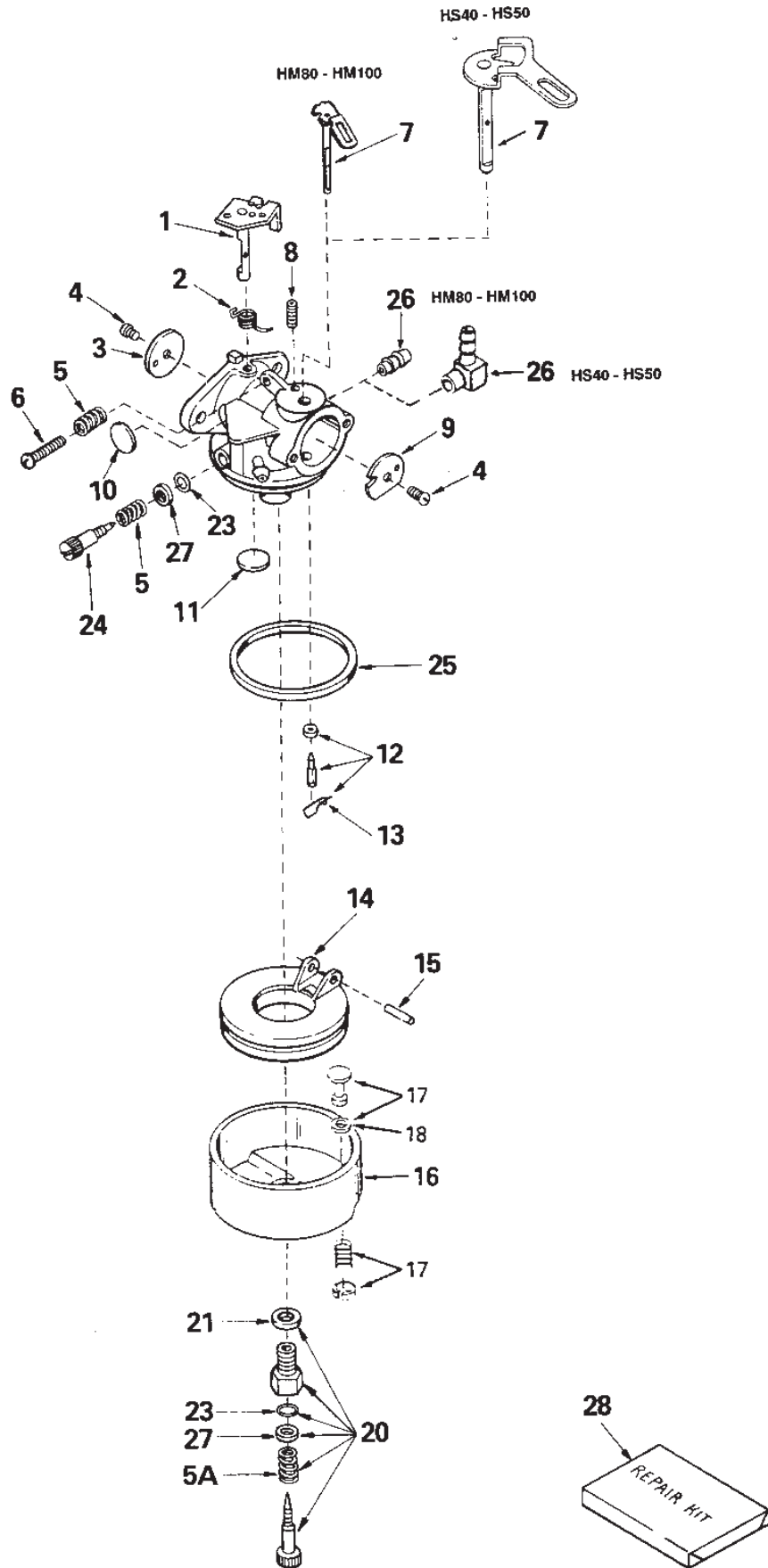
590646



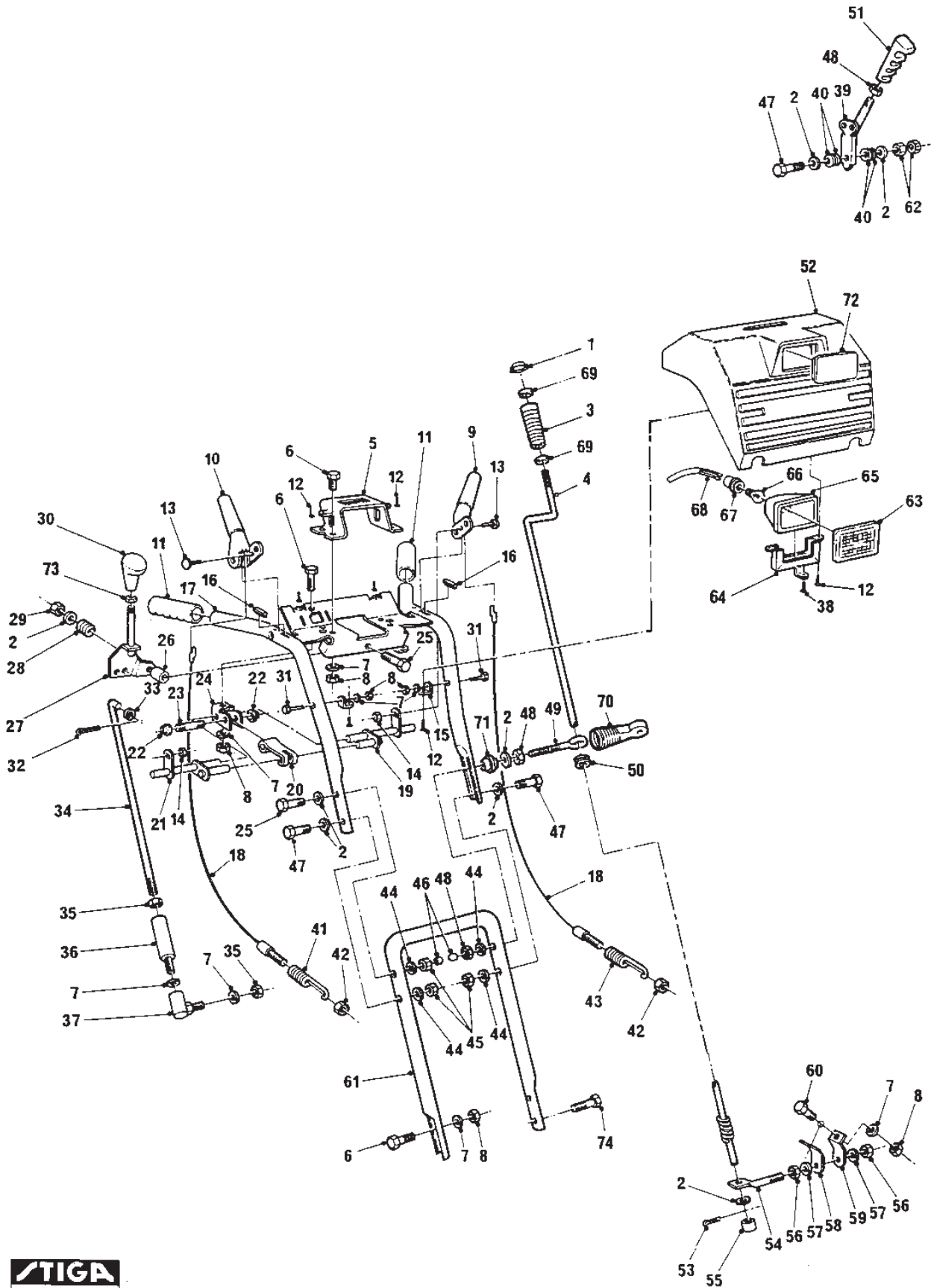
590672



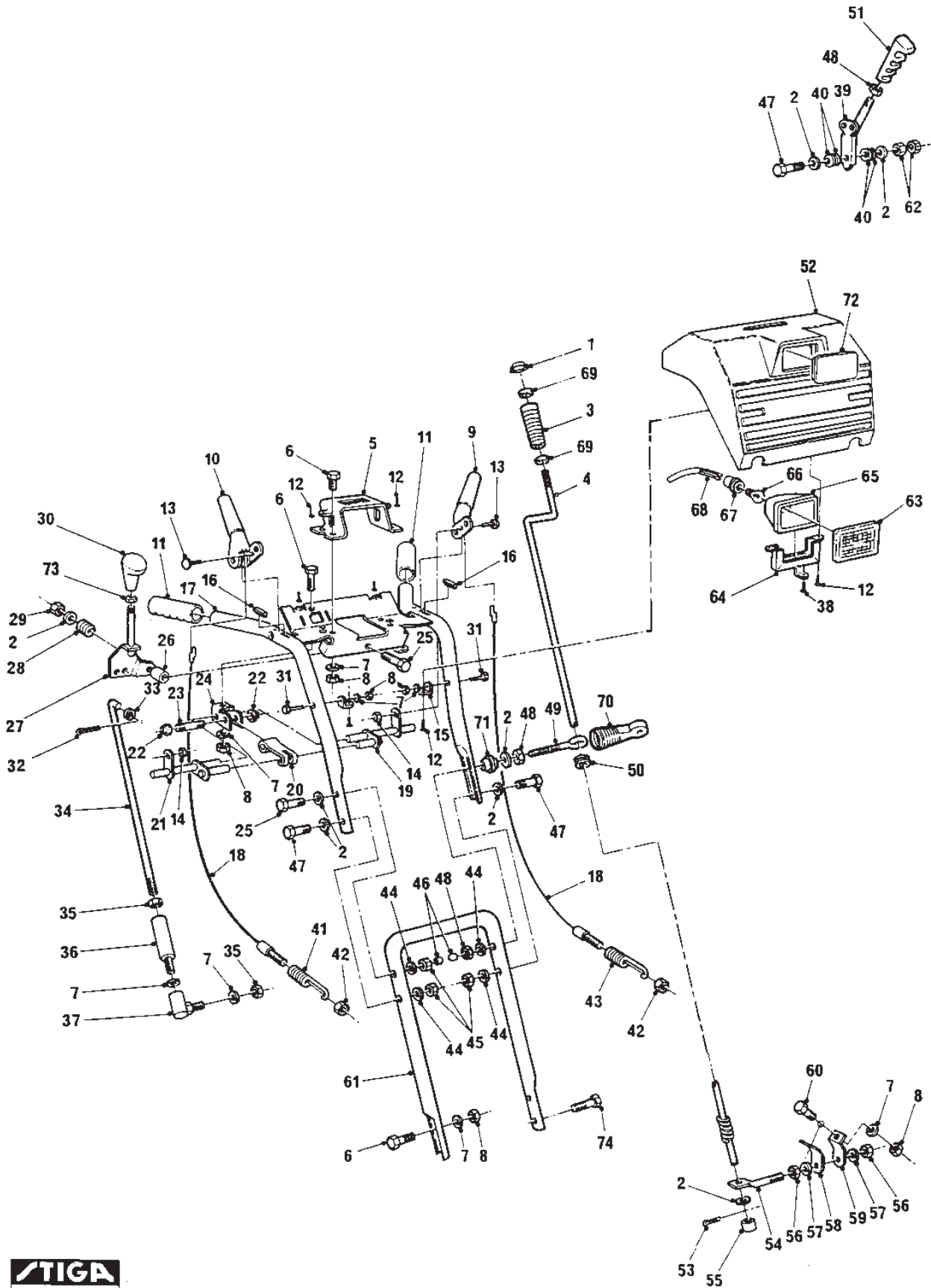
Utgåva Issue 41 - 2014		Tecumseh Start Kpl		Tecumseh Rewind Starter Assy	
Pos. Fig.	Antal Quantity	Art nr Part No	Benämning	Description	Anmärkning Notes
0	1	590646	Starter assy	Starter assy	
0	1	590672	Starter assy	Starter assy	
1	1	590599A	Stift	Pin	Inkl.pos. 4
2	1	590600	Bricka	Washer	
3	1	590615	Hållare	Retainer	
3	1	590679	Hållare	Retainer	
4	1	590601	Bricka	Washer	
5	1	590598	Fjäder	Spring	
5	1	590678	Bromsfjäder	Brake Spring	
6	2	590616	Starter dog	Starter dog	
6	2	590680	Starter dog	Starter dog	
7	2	590617	Fjäder	Spring	
7	2	590412	Fjäder	Dog spring	
8	1	590645A	Pulley assy	Pulley assy	Inkl.pos. 9-10
8	1	590682	Pulley and spring	Pulley and spring	
9	1	590619	Returfjäder	Rewind spring	
10	1	590620	Cover	Cover	
11	1	590647	Starthus	Starter housing	
11	1	590684	Starthus	Starter housing	
12	1	590535	Startsnöre	Starter Rope	
12	1	590456	Startsnöre	Starter Rope	
13	1	590574	Styrplåt kpl	Starter handle	



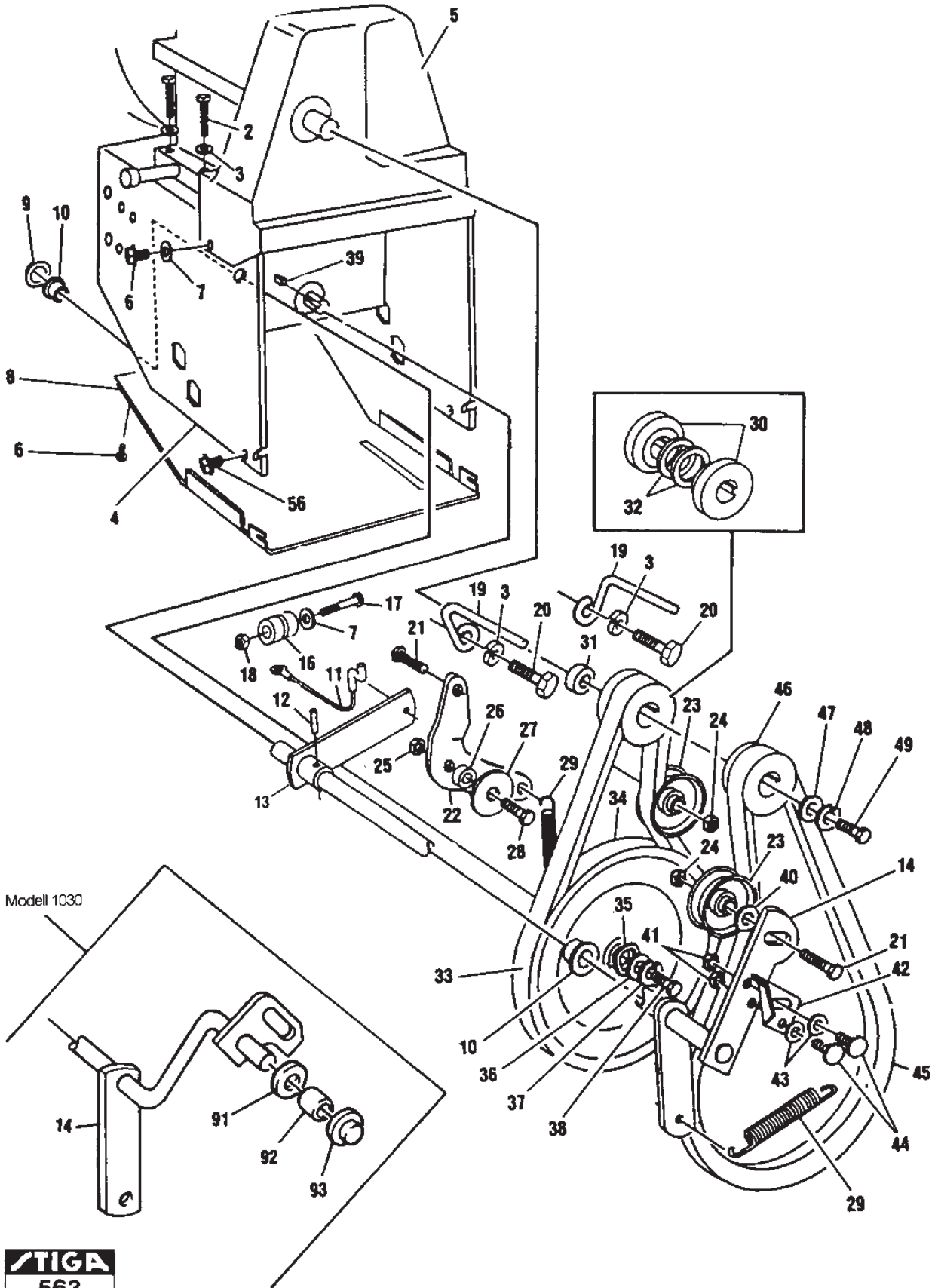
Utgåva Issue 41 - 2014		Tecumseh Förgasare Kpl		Tecumseh Carburettor	
Pos. Fig.	Antal Quantity	Art nr Part No	Benämning	Description	Anmärkning Notes
0	1	632107A	Förgasare kpl	Carburettor Assy	
0	1	632113A	Förgasare kpl	Carburettor Assy	
0	1	632334A	Förgasare kpl	Carburettor Assy	
0	1	632370A	Förgasare kpl	Carburettor Assy	
1	1	631615	Spjällsaxeln	Throttle Shaft	
1	1	631776A	Spjällsaxeln	Throttle Shaft	
2	1	631767	Fjäder	Spring	
2	1	631970	Fjäder	Spring	
3	1	631036	Gasspjäll	Throttle Shutter	
3	1	631778	Gasspjäll	Throttle Shutter	
4	2	650506	Skruv	Screw	
5	2	630766	Fjäder	Spring	
5	1	630738	Fjäder	Spring	
6	1	650417	Skruv	Screw	
7	1	632108	Choke shaft	Choke shaft	
7	1	632112	Choke shaft	Choke shaft	
8	1	630735	Fjäder	Spring	
9	1	631815	Choke shutter	Choke shutter	
9	1	632174	Choke shutter	Choke shutter	
10	1	630748	Welch plug	Welch plug	
11	1	631027	Welch plug	Welch plug	
12	1	631021	Nålventil kpl	Inlet needle assy	Inkl.pos. 13
13	1	631022	Fjäder	Spring clip	
14	1	632019	Flottör	Float	
15	1	631024	Flottöraxel	Float shaft	
16	1	631951	Flottörhus kpl	Float bowl assy	Inkl.pos. 17,18
17	1	27136A	Bowl drain	Bowl drain	Inkl.pos. 18
18	1	27554	Packning	Gasket	
20	1	31839	Skruv	Screw	Inkl.pos. 5A,21,23,27
20	1	632239	Skruv	Screw	Inkl.pos. 5A,21,23,27
21	1	27110	Packning	Gasket	
23	2	630740	O-ring	O-ring	
24	1	631838	Skruv	Screw	
24	1	632281	Förgasare kpl	Carburettor Assy	
25	1	631028	O-ring	O-ring	
26	1	631807	Nippel	Fuel fitting	
26	1	632164	Nippel	Fuel fitting	
27	2	630739	Bricka	Washer	
28	1	31840	Use MAS-031840 Reparationssats	Use MAS-031840 Repair Kit	
28	1	632347	Reparationssats	Repair Kit	



Utgåva Issue 41 - 2014		Styre Reglage		Handle Controls	
Pos. Fig.	Antal Quantity	Art nr Part No	Benämning	Description	Anmärkning Notes
1	1	1812-1183-01	Låsning	Cap Retainer	
2	6	9699-0029-02	Bricka	Washer	
3	1	1812-1168-01	Handtag	Handle	
4	1	1812-0256-03	Inställningsvev Kpl Lf	Chute Crank (Sf)	
5	1	1812-1184-01	Växellägesplåt	Bracket Shifter	
6	6	9988-3619-16	Skruv	Screw	
7	11	9683-0030-02	Bricka	Washer	
8	11	9795-3631-02	Mutter	Nut	
9	1	1812-1297-01	Kopplingshandtag-vä	Clutch Handle, Left	
10	1	1812-1298-01	Kopplingshandtag-hö	Clutch Handle, Right	
11	2	1812-0955-01	Handtag	Handle Grip	
12	6	1812-0733-01	Skruv	Screw	
13	2	1812-0821-01	Skruv	Carriage Bolt	
14	2	9743-3521-32	Mutter	Nut	
15	2	1812-1186-01	Panelfäste	Bracket Panel Retainer	
16	2	1812-0520-01	Skydd	Protection	
17	1	1812-1191-01	Styre-överdel	Handle-upper	
18	2	1812-0249-01	Reglagewire (817 Mm)	Wire (817 Mm)	
19	1	1812-1189-01	Spärrstång Vä	Bail Rod L.H.	
20	1	1812-0834-01	Låsfjäder	Cam Lock Spring	
21	1	1812-1188-01	Spärrstång Vä Spärrstång Hö	Bail Rod R.H. Rod	
22	2	1812-0396-01	Låsning	Retainer	
23	1	1812-1280-01	Sprint	Pin Latch	
24	1	1812-1185-01	Fäste	Bracket Cam Retainer	
25	1	9988-3764-12	Skruv	Screw	
26	1	1812-1193-01	Distans	Spacer	
27	1	1812-1249-01	Actuator shift	Actuator shift	
28	1	1812-0304-01	Fjäder	Spring	
29	1	9743-3721-32	Mutter	Nut	
30	1	1812-1293-01	Reglageknopp	Knob	
31	2	9988-3645-16	Skruv	Screw	
32	1	9599-0054-02	SaxSprint	Split Pin	
33	1	9699-0028-02	Bricka	Washer	
34	1	1812-1242-01	Växlestång	Rod Speed Control	
35	2	9794-5131-02	Mutter	Nut	
36	1	1812-0622-01	Skruvhylsa	Adaptor	
37	1	1812-0303-01	Kulled	Ball Joint	
41	1	1812-1303-01	Fjäder	Spring	
42	2	9743-3521-32	Mutter	Nut	
43	1	1812-1210-01	Fjäder	Spring	
44	4	9683-0035-02	Bricka	Washer	
45	2	9795-3731-02	Mutter	Nut	
46	2	1812-0830-01	Plastknopp	Plastic Stop	
47	2	9988-3745-12	Skruv	Screw	
48	2	9743-3721-32	Mutter	Nut	
49	1	1812-0394-01	Öglebult	Eyebolt	
50	1	1812-0203-01	Bussning	Bushing	
52	1	1812-1292-01	Panel	Control panel	
53	1	9599-0054-02	SaxSprint	Split Pin	



Utgåva Issue 41 - 2014		Styre Reglage		Handle Controls	
Pos. Fig.	Antal Quantity	Art nr Part No	Benämning	Description	Anmärkning Notes
54	1	1812-0675-01	Stag	Rod Chute Control	
55	1	1812-0646-01	Plastknopp	Plastic cap	
56	2	9743-5421-32	Mutter	Nut	
57	2	9683-0055-02	Bricka	Washer	
58	1	1812-0673-01	Fäststag Vä	Bracket Chute Rotate L.H	
59	1	1812-0910-01	Fäste	Bracket	
60	2	9899-3622-16	Skruv	Screw	
61	1	1812-0553-01	Däck-underdel Styre-underdel	Handle Lower Part	
69	2	1812-1171-01	Bricka	Washer	
70	1	1812-1170-01	Hylsa-öglebult	Boot Eye Bolt Boot-eye bolt	
71	1	1812-1172-01	Adapter	Adaptor Boot Boot adaptor	
72	1	1812-1291-01	Täcklock	Plate Blanking	
73	1	9795-3531-02	Mutter	Nut	
74	2	1812-0387-01	Skruv	Screw	



Modell 1030



Utgåva Issue 41 - 2014		Remtransmission		Belt Transmission	
Pos. Fig.	Antal Quantity	Art nr Part No	Benämning	Description	Anmärkning Notes
2	4	9988-3632-16	Skruv	Screw	
3	6	9683-0030-02	Bricka	Washer	
4	1	1812-1177-01	Chassi	Motor Mount	
5	1	1812-1228-01	Remskydd	Belt Cover	
6	4	1812-0384-01	Skruv	Screw	
7	3	9699-0026-02	Bricka	Washer	
8	1	1812-1257-01	Bottenplåt	Bottom Panel	
9	1	1812-0404-01	Låsning	Retainer	
10	2	1812-0328-01	Bussning	Bushing	
11	1	1812-1203-01	Wire	Cable Eye Lever	
12	1	1812-0401-01	Stift	Pin	
13	1	1812-1212-01	Spännarm	Auger Clutch Cable Lever	
14	1	1812-1232-01	Spännarm	Auger Clutch	
16	1	1812-1205-01	Spole	Spool	
17	1	9988-3545-12	Skruv	Screw	
18	1	9743-3521-32	Mutter	Nut	
19	2	1812-0533-01	Remstyrning	Belt Guide	
20	2	1812-1128-01	Bult	Bolt	
21	2	9988-3732-12	Skruv	Screw	
22	1	1812-1211-01	Spännarm	Idler Lever	
23	2	1812-0305-01	Spännrulle	Tension Roller	
24	2	9743-3721-32	Mutter	Nut	
25	1	9743-3621-32	Mutter	Nut	
26	1	1812-1208-01	Bussning	Bushing	
27	1	9699-0062-02	Bricka	Washer	
28	1	9988-3619-16	Skruv	Screw	
29	2	1812-0329-01	Fjäder	Spring	
30	2	1812-1201-01	Motorremskiva	Traction Pulley	
31	1	1812-1202-01	Bricka	Washer	
32	2	1812-1206-01	Distans	Spacer	
33	1	1812-9016-01	Kilrem	V-Belt	
34	1	1812-1236-01	Remskiva	Traction Pulley	
35	1	1812-1237-01	Bricka	Wave Washer	
36	1	1812-1190-01	Bricka	Flat washer	
37	1	9683-0025-02	Bricka	Washer	
38	1	9988-3516-16	Skruv	Screw	
39	1	1812-1239-01	Kil	Square Key	
40	1	9699-0029-02	Bricka	Washer	
41	2	9727-3541-22	Mutter	Nut	
42	1	1812-1233-01	Bromsarm	Cam Brake Arm	
43	2	9699-0028-02	Bricka	Washer	
44	2	1812-0735-01	Skruv	Carr.Bolt	
45	1	1812-9012-01	Kilrem	V-Belt	
46	1	1812-0332-01	Motorremskiva	Engine Pulley	
47	1	1812-0283-01	Bricka	Washer	
48	1	9683-0035-02	Bricka	Washer	
49	1	9987-5225-16	Skruv	Screw	
56	2	1812-0385-01	Skruv	Screw	

9683-0030-02 3— 4
 1812-0328-01 10— 2
 1812-1231-01 15— 1
 9743-3521-32 18— 1
 9683-0025-

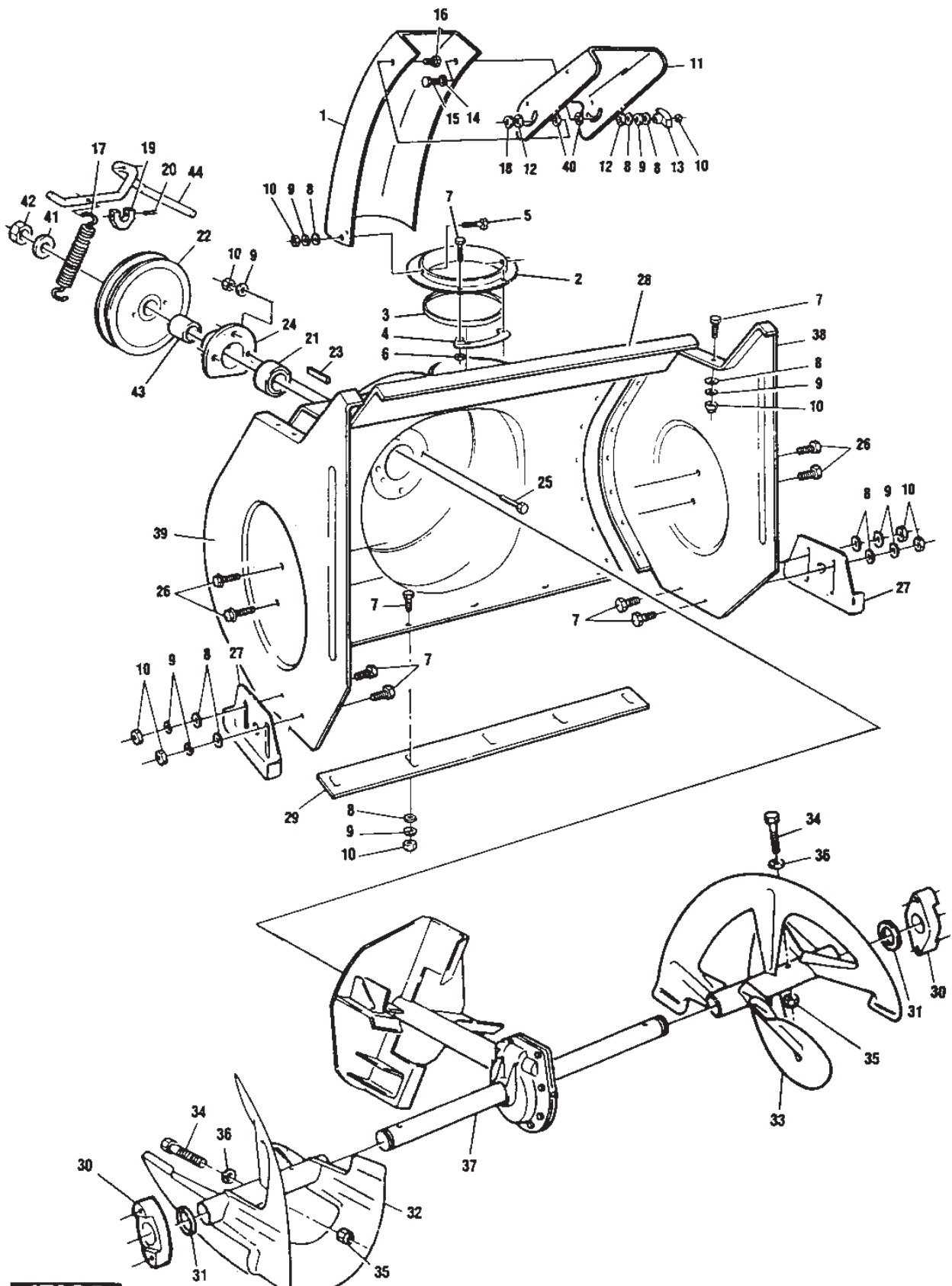
Reservdelskatalog
 Parts Catalogue



Reservdelskatalog
 Parts Catalogue

ST524

1812-1248-01
 50—
 1
 1812-1219-01
 51—
 1
 9743-3721-32
 52—
 1
 1812-1213-01
 53—
 1
 1812-1209-01
 54—
 1
 1812-1178-01
 55—
 4
 1812-0385-01
 56—
 8
 1812-9002-01
 57—
 1
 9988-3516-16
 58—
 3
 1812-1247-01
 59—
 1
 9795-3531-02
 60—
 4
 1812-1204-01
 61—
 2
 1812-0450-01
 62—
 2
 9699-0115-02
 63—
 4
 1812-0402-01
 64—
 2
 1812-1215-01
 65—
 1
 1812-1164-01
 66—
 1
 1812-1269-01
 67—
 1
 1812-1218-01
 68—
 1
 9599-0073-02
 69—
 2
 1812-1217-01
 70—
 1
 9988-3516-16
 71—
 1
 1812-0364-01
 72—
 1
 1812-1262-01
 73—
 1
 1812-1238-01
 74—
 1
 1812-1229-01
 75—
 2
 1812-1114-01
 76—
 1
 1812-0812-01



D
 De
 Wa
 Bu
 Ax
 Nu
 Wa
 Sp
 Pl
 Nu
 Ja
 Ch
 Be
 Sc
 Fri
 Sc
 Fri
 Nu
 Wa
 Be
 Wa
 Re
 He
 Re
 Fri
 Tra
 Sp
 Tra
 Sc
 Sp
 Tra
 Wa
 Ba
 Bo
 Nu
 Bu
 Wh
 Wa
 Be
 Re
 Sp
 Sc
 Ch
 Cli

Drive Train	Utgåva Issue 41 - 2014		Slungenhet Auger Assy				
Description	Pos. Fig.	Antal Quantity	Anmärkning Notes	Ring Part No	Benämning	Description	Anmärkning Notes
Washer	1	1		1812-1161-01	Utkaströr	Chute Extension	
Bushing	2	1		1812-1220-01	Kuggkrans	Flange	
Washer	3	1		1812-1180-01	Utkastring	Chute Ring	
Washer	4	3		1812-1198-01	Hållare	Retainer	
Washer	5	2		1812-0388-01	Skruv	Screw	
Speed select lever	6	6		1812-0389-01	Mutter	Nut	
Elastic Bushing	7	30		9899-3622-16	Skruv	Screw	
Washer	8	31		9699-0028-02	Bricka	Washer	
Washer	9	33		9683-0030-02	Bricka	Washer	
Main Roller	10	33		9795-3631-02	Mutter	Nut	
Washer & Retainer	11	1		1812-0662-01	Utkastskärm	Chute Deflector	
Washer	12	2		1812-0667-01	Plastbricka	Washer	
Washer	13	1		1812-1108-01	Lås ratt	Knob	
Washer	14	1		9699-0069-02	Bricka	Washer	
Washer	15	1		1812-0273-01	Skruv	Screw	
Washer	16	1		9988-3619-16	Skruv	Screw	
Washer	17	1		1812-1162-01	Return spring	Return spring	
Washer	18	1		9743-3621-32	Mutter	Nut	
Washer	19	1		1812-1244-01	Bromsbelägg	Brake Pad	
Washer	20	1		1812-0401-01	Stift	Pin	
Washer	21	1		1812-1229-01	Kullager	Ball Bearing	
Washer	22	1		1812-1260-01	Remskiva (Diam. 165 Mm)	Auger Pulley	
Washer	23	1		1812-1167-01	Kil	Key	
Washer	24	1		1812-1250-01	Lagerhållare	Retainer Bearing	
Washer	25	3		9988-3616-16	Skruv	Screw	
Washer	26	4		1812-0387-01	Skruv	Screw	
Washer	27	2		1812-1158-01	Släpsko	Height Adjuster	
Washer	28	1		1812-1271-01	Auger housing	Auger housing	
Washer	29	1		1812-1182-01	Skrapskär	Scraper Bar-24	
Washer	30	2		1812-0347-01	Lager	Bearing	
Washer	31	2		1812-0397-01	Distans	Spacer	
Washer	32	1		1812-1273-01	Auger-R.H.	Auger-R.H.	
Washer	33	1		1812-1272-01	Snöskruv-vä	Auger L.H.	
Washer	34	1		1812-9005-01	Brytbultsats	Shear Bolt Kit	
Washer	36	2		1812-0531-01	Distans	Spacer	
Washer	37	1		1812-1277-01	Gear box assy	Gear box assy	
Washer	38	1		1812-0868-01	Sidoplåt Vä	Side Plate L.H	
Washer	39	1		1812-0869-01	Sidoplåt Hö	Side Plate R.H	
Washer	40	2		1812-1163-01	Plastbricka	Washer	
Washer	41	1		9699-0038-02	Bricka	Washer	
Washer	42	1		9743-5421-32	Mutter	Nut	
Washer	43	1		1812-1263-01	Distans	Spacer	
Washer	44	1		1812-1234-01	Bromsarm	Rod brake arm	

1812-1277-01 0— 1
 1812-0344-01 1— 2
 1812-0343-01 3— 2
 1812-0227-01 4— 1
 1812-0345-01
 5—
 2
 1812-0409-01
 6—
 1
 1812-0335-01
 7—
 1
 1812-0226-01
 8—
 1
 1812-0228-01
 9—
 1
 1812-1181-01
 10—
 1
 9987-5145-12
 11—
 1
 1812-0341-01
 12—
 1
 1812-1259-01
 13—
 1
 1812-1167-01
 14—
 1
 1812-0285-01
 15—
 1
 1812-0857-01
 16—
 2
 1812-0307-01
 17—
 1
 1812-0336-01
 18—
 1
 1812-0297-01
 21—
 1
 1812-0346-01
 22—
 1
 1812-1264-01
 24—
 1
 1812-1264-01
 24—
 1
 9987-5125-16
 26—
 7
 9743-5121-02
 27—
 8

Reservdelskatalog
Parts Catalogue



Reservdelskatalog
Parts Catalogue

ST524

Utgåva

Issue

Snäckväxel

41 - 2014

Pos. Fig.	Antal Quantity	Art nr Part No	Benämning	
0	1	1812-1277-01	Gear box assy	Ge
1	2	1812-0344-01	Tätningring	Rin
3	2	1812-0343-01	Lager	Be
4	1	1812-0227-01	Snäckväxelhus-vä	Ge
5	2	1812-0345-01	Bricka	Wa
6	1	1812-0409-01	Woodruffkil	Wo
7	1	1812-0335-01	Drev	Wo
8	1	1812-0226-01	Packning	Ge
9	1	1812-0228-01	Snäckväxelhus-hö	Ge
10	1	1812-1181-01	Auger shaft	Au
11	1	9987-5145-12	Skruv	Sc
12	1	1812-0341-01	Tätningring	Rin
13	1	1812-1259-01	Flänslager	Be
14	1	1812-1167-01	Kil	Ke
15	1	1812-0285-01	Nållager	Ne
16	2	1812-0857-01	Bricka	Th
17	1	1812-0307-01	Kil	Ke
18	1	1812-0336-01	Snäckdrev	Ge
21	1	1812-0297-01	Lager	Be
22	1	1812-0346-01	OljePlugg	Oil
24	1	1812-1264-01	Fläkt M.Axel	Im
24	1	1812-1264-01	Fläkt M.Axel	Im
26	7	9987-5125-16	Skruv	Sc
27	8	9743-5121-02	Mutter	Nu

	code	pos.	q.ty	page								
uger Gear Box	1111-9028-02	196	1	p. 7	1812-1114-01	76	1	p. 20	1812-1264-01	24	1	p. 22
	1812-0203-01	50	1	p. 15	1812-1128-01	20	2	p. 19	1812-1264-01	24	1	p. 22
	1812-0226-01	8	1	p. 22	1812-1158-01	27	2	p. 21	1812-1269-01	67	1	p. 20
	1812-0227-01	Annmärkning		p. 22	1812-1161-01	1	1	p. 21	1812-1271-01	28	1	p. 21
Description	1812-0228-01	Notes	1	p. 22	1812-1162-01	17	1	p. 21	1812-1272-01	33	1	p. 21
	1812-0249-01	18	2	p. 15	1812-1163-01	40	2	p. 21	1812-1273-01	32	1	p. 21
ar box assy	1812-0256-03	4	1	p. 15	1812-1164-01	66	1	p. 20	1812-1277-01	0	1	p. 22
	1812-0273-01	15	1	p. 21	1812-1167-01	14	1	p. 22	1812-1277-01	37	1	p. 21
ng	1812-0283-01	47	1	p. 19	1812-1167-01	23	1	p. 21	1812-1280-01	23	1	p. 15
aring	1812-0285-01	15	1	p. 22	1812-1168-01	3	1	p. 15	1812-1291-01	72	1	p. 17
ar case-LH Gear Pos. Left	Inkl. pos. 1, 2, 3			p. 22	1812-1170-01	70	1	p. 17	1812-1292-01	52	1	p. 15
asher	1812-0303-01	37	1	p. 15	1812-1171-01	69	2	p. 17	1812-1293-01	30	1	p. 15
odruff Key	1812-0304-01	28	1	p. 15	1812-1172-01	71	1	p. 17	1812-1297-01	9	1	p. 15
orm Gear	1812-0305-01	23	2	p. 19	1812-1177-01	4	1	p. 19	1812-1298-01	10	1	p. 15
sket	1812-0307-01	17	1	p. 22	1812-1178-01	55	4	p. 20	1812-1303-01	41	1	p. 15
ar case-RH Gear Pos. Right	Inkl. pos. 1, 3, 2, 5			p. 20	1812-1180-01	3	1	p. 21	1812-9002-01	57	1	p. 20
ger shaft	1812-0329-01	29	2	p. 19	1812-1181-01	10	1	p. 22	1812-9005-01	34	1	p. 21
rew	1812-0332-01	46	1	p. 19	1812-1182-01	29	1	p. 21	1812-9012-01	45	1	p. 19
ng	1812-0335-01	7	1	p. 22	1812-1183-01	1	1	p. 15	1812-9016-01	33	1	p. 19
aring Impeller Shaft	1812-0341-01	12	1	p. 22	1812-1184-01	5	1	p. 15	6021A	193	1	p. 7
y	1812-0343-01	3	2	p. 22	1812-1185-01	24	1	p. 15	6021A	193	2	p. 7
edle Bearing	1812-0344-01	1	2	p. 22	1812-1186-01	15	2	p. 15	6201	99	1	p. 5
rust Washer	1812-0345-01	5	2	p. 22	1812-1188-01	21	1	p. 15	8345	231	1	p. 7
y	1812-0347-01	30	2	p. 21	1812-1189-01	19	1	p. 15	9400-0225-00	196	1	p. 7
ar	1812-0364-01	72	1	p. 20	1812-1190-01	36	1	p. 19	9599-0054-02	32	1	p. 15
aring	1812-0384-01	6	4	p. 19	1812-1191-01	17	1	p. 15	9599-0054-02	53	1	p. 15
Plug	1812-0385-01	56	2	p. 19	1812-1193-01	26	1	p. 15	9599-0073-02	69	2	p. 20
pellor	1812-0387-01	26	4	p. 21	1812-1198-01	4	3	p. 21	9683-0025-02	37	1	p. 19
pellor	1812-0387-01	74	2	p. 17	1812-1201-01	30	2	p. 19	9683-0025-02	37	4	p. 20
rew	1812-0388-01	5	2	p. 21	1812-1202-01	31	1	p. 19	9683-0030-02	3	4	p. 20
t	1812-0389-01	6	6	p. 21	1812-1203-01	11	1	p. 19	9683-0030-02	3	6	p. 19
	1812-0394-01	49	1	p. 15	1812-1204-01	61	2	p. 20	9683-0030-02	7	11	p. 15
	1812-0396-01	22	2	p. 15	1812-1205-01	16	1	p. 19	9683-0030-02	9	33	p. 21
	1812-0397-01	31	2	p. 21	1812-1206-01	32	2	p. 19	9683-0035-02	44	4	p. 15
	1812-0401-01	12	1	p. 19	1812-1208-01	26	1	p. 19	9683-0035-02	48	1	p. 19
	1812-0401-01	20	1	p. 21	1812-1209-01	54	1	p. 20	9683-0055-02	57	2	p. 17
	1812-0402-01	64	2	p. 20	1812-1210-01	43	1	p. 15	9699-0026-02	7	3	p. 19
	1812-0404-01	9	1	p. 19	1812-1211-01	22	1	p. 19	9699-0028-02	8	31	p. 21
	1812-0409-01	6	1	p. 22	1812-1212-01	13	1	p. 19	9699-0028-02	33	1	p. 15
	1812-0450-01	62	2	p. 20	1812-1213-01	53	1	p. 20	9699-0028-02	43	2	p. 19
	1812-0520-01	16	2	p. 15	1812-1215-01	65	1	p. 20	9699-0029-02	2	6	p. 15
	1812-0531-01	36	2	p. 21	1812-1217-01	70	1	p. 20	9699-0029-02	40	1	p. 19
	1812-0533-01	19	2	p. 19	1812-1218-01	68	1	p. 20	9699-0038-02	41	1	p. 21
	1812-0553-01	61	1	p. 17	1812-1219-01	51	1	p. 20	9699-0062-02	27	1	p. 19
	1812-0622-01	36	1	p. 15	1812-1220-01	2	1	p. 21	9699-0069-02	14	1	p. 21
	1812-0646-01	55	1	p. 17	1812-1228-01	5	1	p. 19	9699-0115-02	63	4	p. 20
	1812-0662-01	11	1	p. 21	1812-1229-01	21	1	p. 21	9727-3541-22	41	2	p. 19
	1812-0667-01	12	2	p. 21	1812-1229-01	75	2	p. 20	9743-3521-32	14	2	p. 15
	1812-0673-01	58	1	p. 17	1812-1231-01	15	1	p. 20	9743-3521-32	18	1	p. 19
	1812-0675-01	54	1	p. 17	1812-1232-01	14	1	p. 19	9743-3521-32	18	1	p. 20
	1812-0733-01	12	6	p. 15	1812-1233-01	42	1	p. 19	9743-3521-32	42	2	p. 15
	1812-0735-01	44	2	p. 19	1812-1234-01	44	1	p. 21	9743-3621-32	18	1	p. 21
	1812-0812-01	77	1	p. 20	1812-1236-01	34	1	p. 19	9743-3621-32	25	1	p. 19
	1812-0821-01	13	2	p. 15	1812-1237-01	35	1	p. 19	9743-3721-32	24	2	p. 19
	1812-0830-01	46	2	p. 15	1812-1238-01	74	1	p. 20	9743-3721-32	29	1	p. 15
	1812-0834-01	20	1	p. 15	1812-1239-01	39	1	p. 19	9743-3721-32	48	2	p. 15
	1812-0857-01	16	2	p. 22	1812-1242-01	34	1	p. 15	9743-3721-32	52	1	p. 20
	1812-0868-01	38	1	p. 21	1812-1244-01	19	1	p. 21	9743-5121-02	27	8	p. 22
	1812-0869-01	39	1	p. 21	1812-1247-01	59	1	p. 20	9743-5421-32	42	1	p. 21
	1812-0910-01	59	1	p. 17	1812-1248-01	50	1	p. 20	9743-5421-32	56	2	p. 17
	1812-0955-01	11	2	p. 15	1812-1249-01	27	1	p. 15	9794-5131-02	35	2	p. 15
	1812-1108-01	13	1	p. 21	1812-1250-01	24	1	p. 21	9795-3531-02	60	4	p. 20
					1812-1257-01	8	1	p. 19	9795-3531-02	73	1	p. 17
					1812-1259-01	13	1	p. 22	9795-3631-02	8	11	p. 15
					1812-1260-01	22	1	p. 21	9795-3631-02	10	33	p. 21
					1812-1262-01	73	1	p. 20	9795-3731-02	45	2	p. 15
					1812-1263-01	43	1	p. 21	9899-3622-16	7	30	p. 21

code	pos.	q.ty	page									
9899-3622-16	60	2	p. 17	32600	7	1	p. 3	36444	305	1	p. 9	
9987-5125-16	26	7	p. 22	32610A	53	2	p. 3	570682	202	1	p. 7	
9987-5145-12	11	1	p. 22	32644A	84	1	p. 5	590412	7	2	p. 11	
9987-5225-16	49	1	p. 19	32648A	229	1	p. 7	590456	12	1	p. 11	
9988-3516-16	38	1	p. 19	32649A	98	1	p. 5	590535	12	1	p. 11	
9988-3516-16	58	3	p. 20	32654	52	1	p. 3	590574	13	1	p. 11	
9988-3516-16	71	1	p. 20	32698	102	1	p. 5	590574	276	1	p. 9	
9988-3545-12	17	1	p. 19	32859	97	1	p. 5	590598	5	1	p. 11	
9988-3616-16	25	3	p. 21	32875	51	1	p. 3	590599A	1	1	p. 11	
9988-3619-16	6	6	p. 15	32961	255	1	p. 9	590600	2	1	p. 11	
9988-3619-16	16	1	p. 21	33014C	1	1	p. 3	590601	4	1	p. 11	
9988-3619-16	28	1	p. 19	33015A	191	1	p. 7	590615	3	1	p. 11	
9988-3632-16	2	4	p. 19	33016A	192	1	p. 7	590616	6	2	p. 11	
9988-3645-16	31	2	p. 15	33158	55	1	p. 3	590617	7	2	p. 11	
9988-3732-12	21	2	p. 19	33240B	305	1	p. 9	590619	9	1	p. 11	
9988-3745-12	47	2	p. 15	33333	150	1	p. 5	590620	10	1	p. 11	
9988-3764-12	25	1	p. 15	33341	204	1	p. 7	590645A	8	1	p. 11	
20381	50	2	p. 3	33342	20	1	p. 3	590646	0	1	p. 11	
26460	253	4	p. 7	33344	216	1	p. 7	590646	301	1	p. 9	
26727	45	2	p. 3	33554A	191	1	p. 7	590647	11	1	p. 11	
26754A	228	1	p. 7	33562B	48	1	p. 3	590672	0	1	p. 11	
26756	96	1	p. 5	33567	49	1	p. 3	590678	5	1	p. 11	
27110	21	1	p. 13	33670A	228	1	p. 7	590679	3	1	p. 11	
27136A	17	1	p. 13	33673A	98	1	p. 5	590680	6	2	p. 11	
27234A	89	2	p. 5	33674B	1	1	p. 3	590682	8	1	p. 11	
27241	54	2	p. 3	33683B	305	1	p. 9	590684	11	1	p. 11	
27554	18	1	p. 13	33691	97	1	p. 5	610118	163	1	p. 5	
27642	3	1	p. 3	33696	55	1	p. 3	610961	181	1	p. 5	
27666	87	1	p. 5	33697A	229	1	p. 7	610973	25	1	p. 3	
27677A	57	1	p. 3	33858A	22	1	p. 3	610973	145	1	p. 5	
27897	59	1	p. 3	34080	160	1	p. 5	611081	165	1	p. 5	
28277	8	1	p. 3	34126	187	1	p. 5	630735	8	1	p. 13	
28371B	217	1	p. 7	34146	90	1	p. 5	630738	5	1	p. 13	
28545	188	1	p. 5	34182	219	1	p. 7	630739	27	2	p. 13	
28545	188	2	p. 7	34212	185	1	p. 5	630740	23	2	p. 13	
28820	141	2	p. 5	34443A	162	1	p. 5	630748	10	1	p. 13	
29193	74	2	p. 3	34582	142	1	p. 5	630766	5	2	p. 13	
29212	211	2	p. 7	34583	140	1	p. 5	631021	12	1	p. 13	
29313C	83	1	p. 5	34674C	58	1	p. 3	631022	13	1	p. 13	
29745	197	1	p. 7	34678	58	1	p. 3	631024	15	1	p. 13	
29752	95	2	p. 5	34694	270	1	p. 9	631027	11	1	p. 13	
29774	254	1	p. 7	34740	46	1	p. 3	631028	25	1	p. 13	
30063	232	1	p. 7	34846	46	1	p. 3	631036	3	1	p. 13	
30200	93	2	p. 5	35062	144	1	p. 5	631615	1	1	p. 13	
30200	186	1	p. 5	35072	147	1	p. 5	631767	2	1	p. 13	
30318	60	1	p. 3	35285	146	1	p. 5	631776A	1	1	p. 13	
30322	32	1	p. 3	35350	91	1	p. 5	631778	3	1	p. 13	
30574	72	1	p. 3	35355	250	1	p. 7	631807	26	1	p. 13	
30588A	73	1	p. 3	35392	277	1	p. 9	631815	9	1	p. 13	
30590A	70	1	p. 3	35438	143	1	p. 5	631838	24	1	p. 13	
30591	71	1	p. 3	35440	35	1	p. 3	631951	16	1	p. 13	
30705	256	1	p. 9	35479	70	1	p. 3	631970	2	1	p. 13	
30968	5	1	p. 3	35499	77	1	p. 5	632019	14	1	p. 13	
30969	6	1	p. 3	35539	79	1	p. 5	632107A	0	1	p. 13	
31334	9	1	p. 3	35541	48	1	p. 3	632107A	300	1	p. 9	
31335	11	1	p. 3	35547	49	1	p. 3	632108	7	1	p. 13	
31342	23	1	p. 3	35554	76	1	p. 3	632112	7	1	p. 13	
31410	88	1	p. 5	35556	78	1	p. 5	632113A	0	1	p. 13	
31426	28	1	p. 3	35557	184	1	p. 5	632113A	300	1	p. 9	
31510	10	1	p. 3	35584	249	1	p. 7	632164	26	1	p. 13	
31672	85	2	p. 5	35656	201	1	p. 7	632174	9	1	p. 13	
31673	86	2	p. 5	35771	229	1	p. 7	632239	20	1	p. 13	
31839	20	1	p. 13	35857	255	1	p. 9	632281	24	1	p. 13	
31840	28	1	p. 13	35883	204	1	p. 7	632334A	0	1	p. 13	
32180C	203	1	p. 7	36247	217	1	p. 7	632347	28	1	p. 13	
32323	56	1	p. 3	36441	192	1	p. 7	632370A	0	1	p. 13	
				36443	191	1	p. 7	650128	93	2	p. 5	

code	pos.	q.ty	page
650128	198	1	p. 7
650128	198	2	p. 7
650139	31	1	p. 3
650168	210	1	p. 7
650168	275	1	p. 9
650257	148	2	p. 5
650327	230	2	p. 7
650417	6	1	p. 13
650488	75	7	p. 3
650506	4	2	p. 13
650548	12	1	p. 3
650549	24	1	p. 3
650561	21	2	p. 3
650664	101	2	p. 5
650665	251	2	p. 7
650675	220	1	p. 7
650691	194	1	p. 7
650691	194	6	p. 7
650694A	218	1	p. 7
650694A	218	5	p. 7
650701	205	1	p. 7
650735	149	1	p. 5
650760	189	1	p. 7
650760	189	2	p. 7
650805	221	1	p. 7
650814	164	2	p. 5
650815	182	1	p. 5
650818	195	1	p. 7
650818	195	6	p. 7
650863	183	1	p. 5
650870	100	1	p. 5
650872	161	2	p. 5
650884	274	2	p. 9
650926	205	1	p. 7
650926	274	2	p. 9