



**Reservdelskatalog
Parts Catalogue**

ST825 (S N)

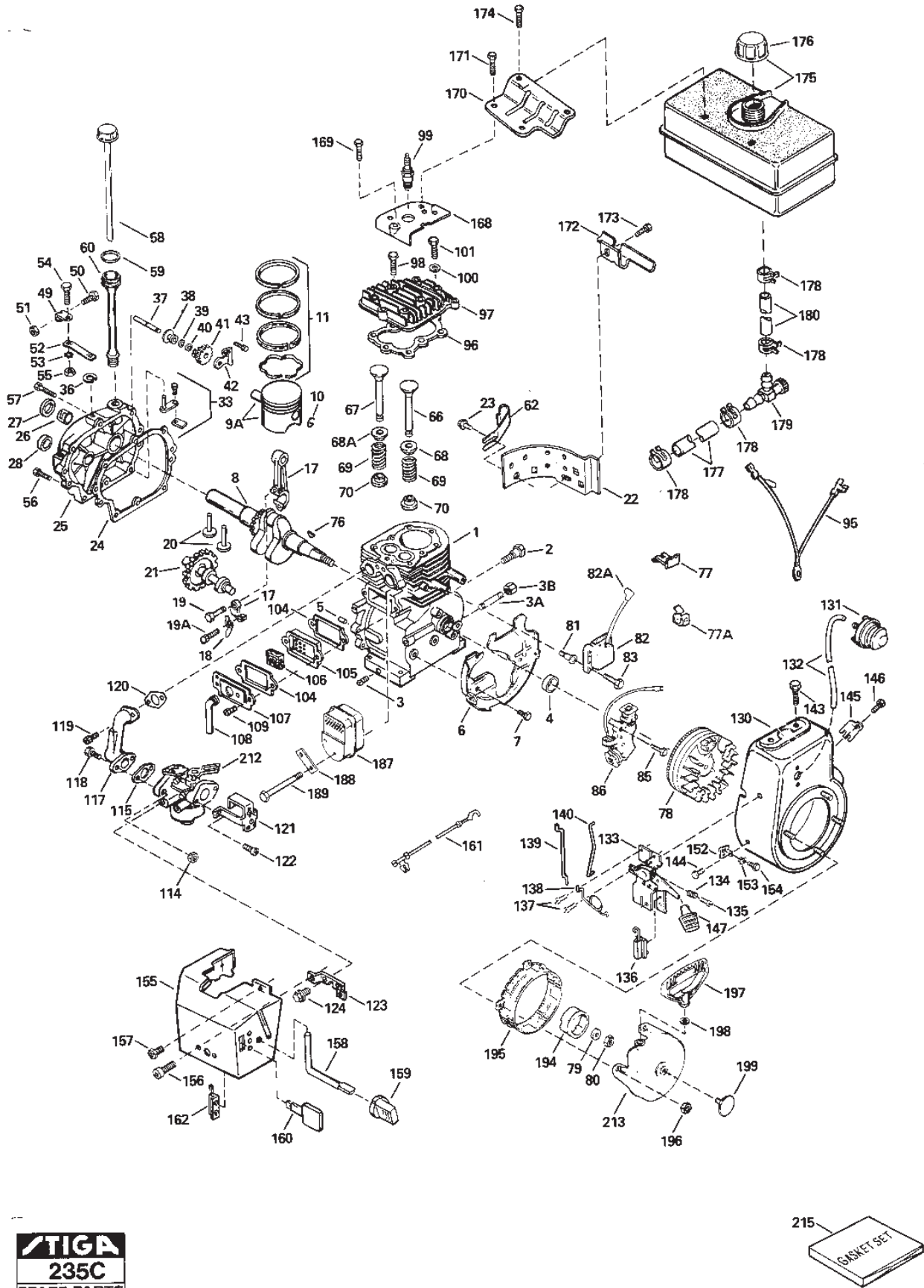
18-1815-14 - Season 1989

- Use GLOBAL GARDEN PRODUCT Genuine Spare Parts specified in the parts list for repair and/or replacement.
 - The contents described in the parts list may change due to improvement.
 - The drawings of the spare parts are only indicative and might not represent the part in question exactly.
 - The indications "right" - "left" - "front" - "rear" refer to the position of the operator when using the machine.
- When placing orders of parts for repair and/or replacement, make sure that the illustrated parts list is the one applying to the machine's year of manufacture, as shown on the identification plate attached to the machine.

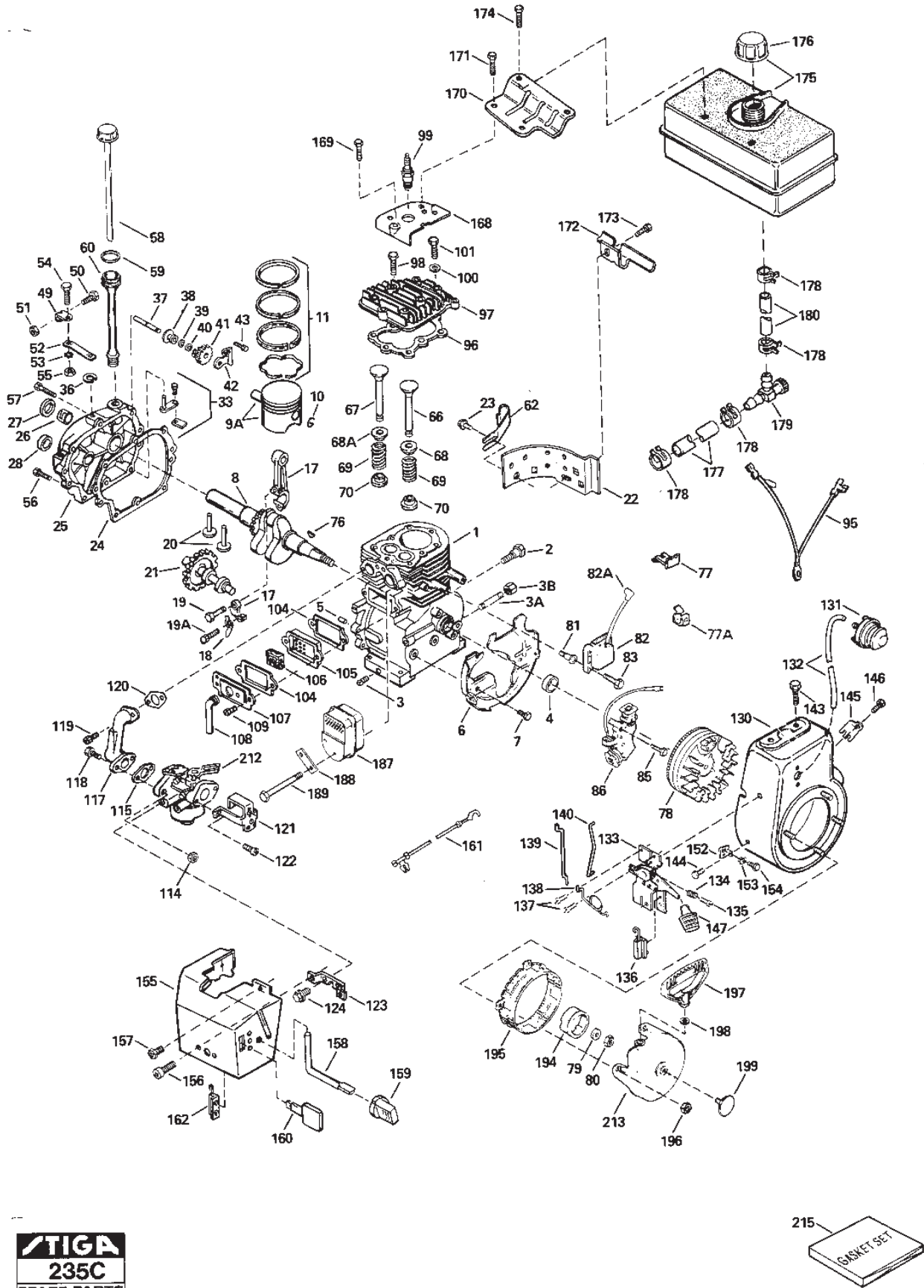
© Copyright 2014 Global Garden Products

All rights reserved. No part of this material may be reproduced or transmitted, in any form or by any means, electronic or mechanical, including photocopying, recording or by any information storage and retrieval system, without permission in writing from GLOBAL GARDEN PRODUCTS.

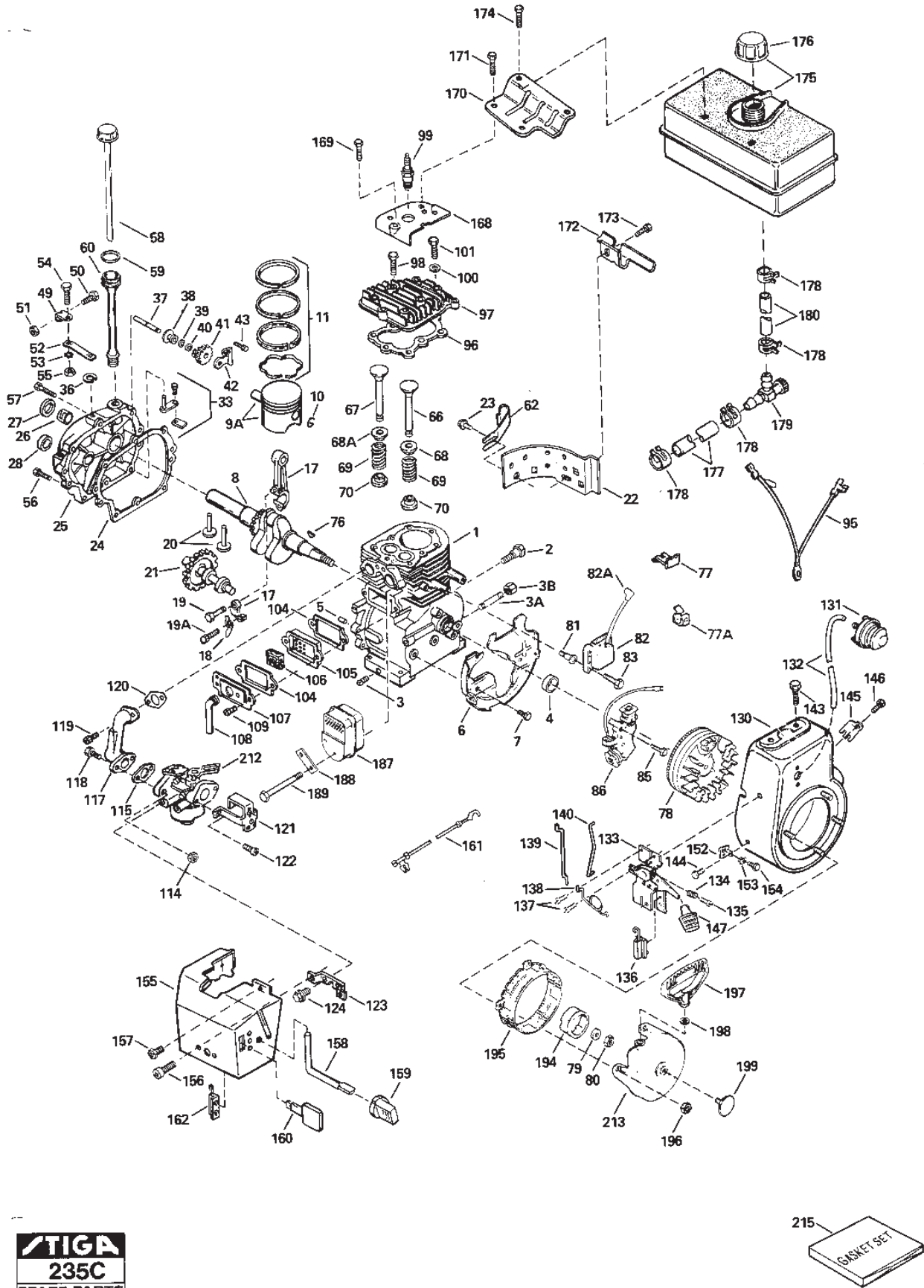
www.stiga.com



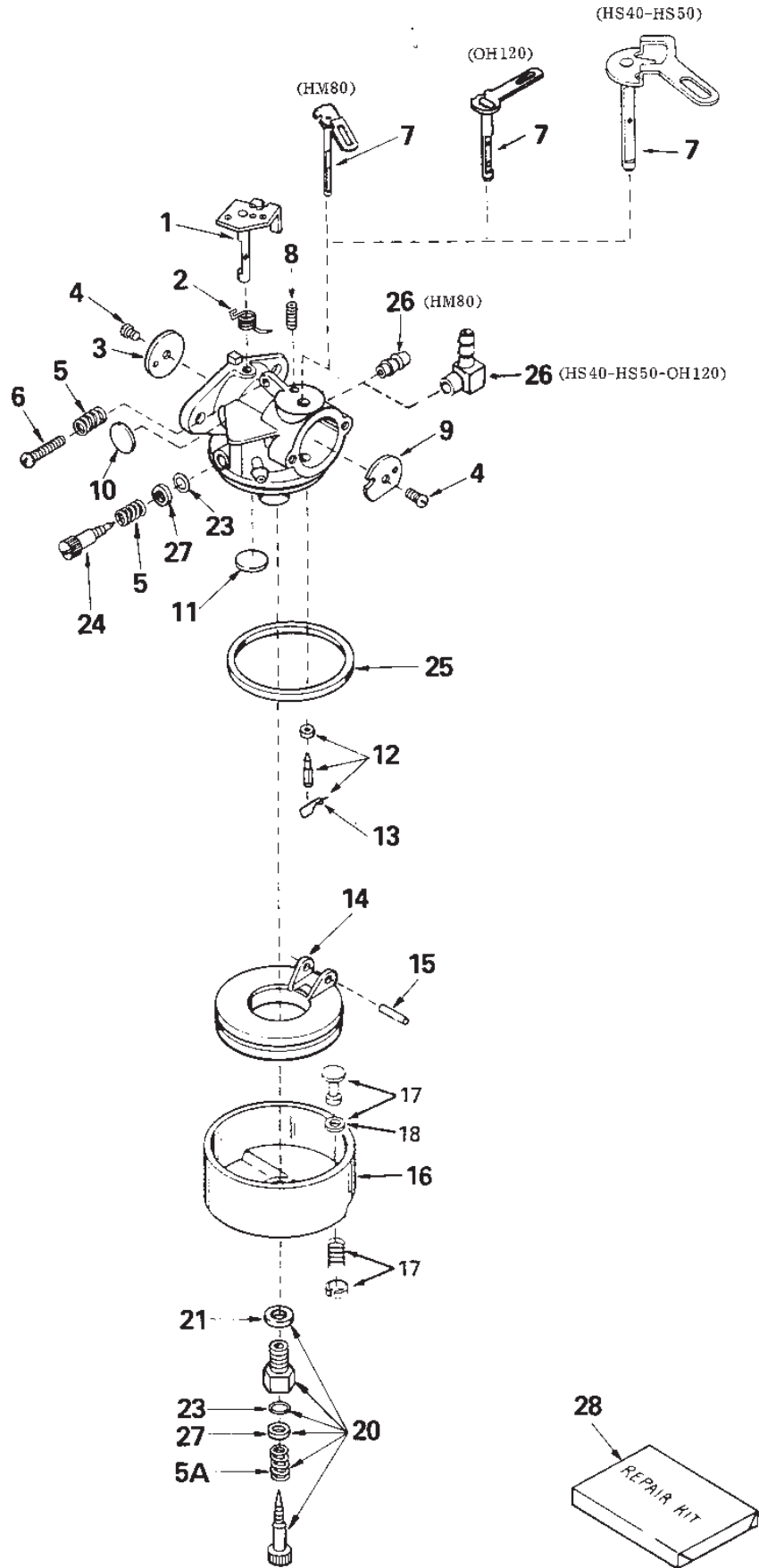
Utgåva Issue 32 - 2014		Tecumseh Hm80		Tecumseh Hm80	
Pos. Fig.	Antal Q.ty	Art nr Part No	Benämning	Description	Anmärkning Notes
178	4	26460	Clamp	Clamp	
77A	1	27275	Clip	Clip	HM80155312P
3	2	27642	Oil drain plug	Oil drain plug	
5	2	27652	Styrpinne	Dowel pin	
69	2	27881	Valve spring	Valve spring	
68	1	27882	Valve spring cap	Valve spring cap	
10	2	27888	Retaining ring	Retaining ring	
105	1	28423	Breather body	Breather body	
106	1	28424	Breather element	Breather element	
107	1	28425	Cover	Cover	
153	1	28545	Isoleringshylsa	Grommet	
122	2	28820	Skruv	Screw	
28	1	28926	Oil seal	Oil seal	HM80155312P
156	2	28942	Skruv	Screw	
40	1	29193	Retaining ring	Retaining ring	
51	1	29216	Mutter	Nut	
77	1	29443	Wire clip	Wire clip	
36	1	29642	Retaining ring	Retaining ring	
114	2	29752	Mutter	Nut	
196	4	29752	Mutter	Nut	
180	1	29774	Fuel line	Fuel line	
50	1	29826	Skruv	Screw	
49	1	29916	Clamp	Clamp	
53	1	29918	Bricka	Washer	
55	1	30322	Mutter	Nut	
177	1	30705	Fuel line	Fuel line	
3A	1	30968	Rör	Pipe	
3B	1	30969	Cap	Cap	
134	1	31342	Fjäder	Spring	
188	1	31588	Låsbleck	Locking plate	
37	1	31845	Use MAS-031845 Governor shaft	Use MAS-031845 Governor shaft	
70	2	32581	Valve cap	Valve cap	
76	1	32589	Kil	Key	
179	1	32961	Shut-off valve	Shut-off valve	
145	1	33013	Cover	Cover	
115	1	33263	Packning	Gasket	
42	1	33369	Fäste	Bracket	
123	1	33377	Fäste	Bracket	
52	1	33454	Governor lever	Governor lever	
117	1	33877	Intake pipe	Intake pipe	
140	1	33878	Gasreglagelänk	Throttle Rod	
97	1	34030	Topplöck	Cylinder Head	
20	2	34034	Valve lifter	Valve lifter	
67	1	34035	Insugningsventil	Intake valve	Inkl.pos 70
152	1	34126	Fäste	Bracket	
170	1	34154	Tank plate	Tank plate	
172	1	34155	Tank bracket	Tank bracket	
11	1	34332	Ring set	Ring set	
158	1	34586	Choke rod	Choke rod	



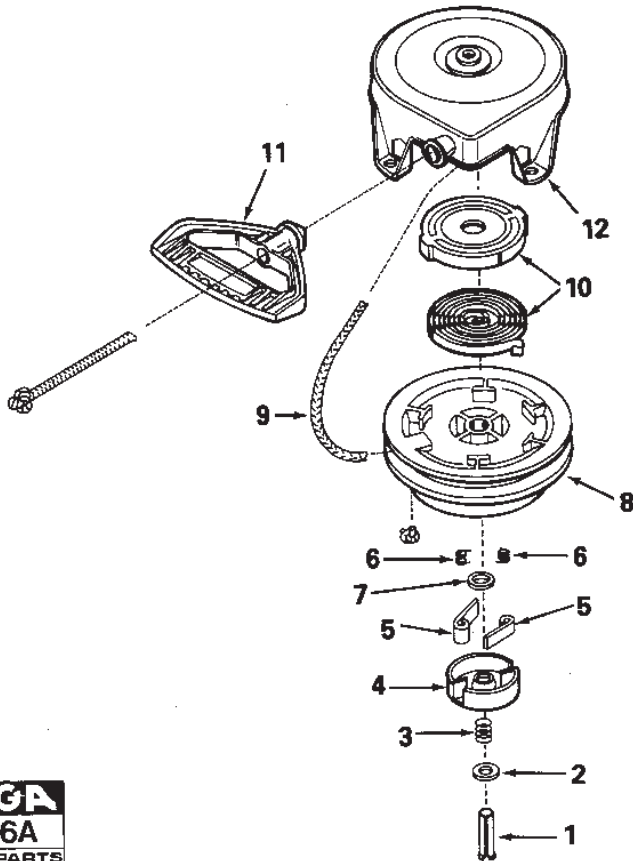
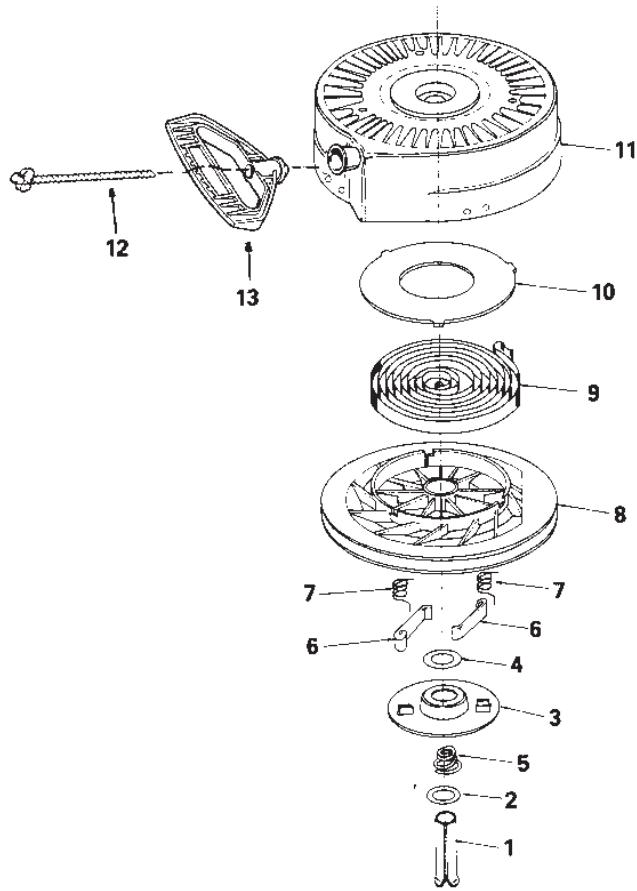
Utgåva Issue 32 - 2014		Tecumseh Hm80		Tecumseh Hm80	
Pos. Fig.	Antal Q.ty	Art nr Part No	Benämning	Description	Anmärkning Notes
121	1	34587	Fäste	Bracket	
138	1	34663	Fjäder	Spring	
139	1	34667	Governor link	Governor link	
133	1	34677	Speed control assy	Speed control assy	Inkl.pos 134-136,138
68A	1	34689	Seal	Seal	
187	1	35056	Ljuddämpare	Muffler	
160	1	35062	Tändningsnyckel	Ignition Key	
82	1	35135	Solid state ignition	Solid state ignition	
95	1	35253	Ground wire	Ground wire	
24	1	35262	Packning	Gasket	
194	1	35287	Starter hub	Starter hub	
161	1	35305	Ground wire	Ground wire	
4	1	35319	Oil seal	Oil seal	
27	1	35319	Oil seal	Oil seal	
6	1	35326	Baffle	Baffle	
108	1	35350	Rör	Tube	
176	1	35355	Tank cap	Tank cap	
18	1	35374	Oil dipper	Oil dipper	
21	1	35375	Kamaxel	Camshaft	HM80155315P
25	1	35376	Cover	Cover	Inkl.pos 26-27,37 _/ HM80155315P
26	1	35377	Bearing	Bearing	
41	1	35378	Gear	Gear	Inkl.pos 39
1	1	35385	Cylinder kpl	Cylinder Assy	Inkl.pos 3,4,5
199	1	35392	Plugg	Plug	
159	1	35438	Reglageknopp	Knob	
147	1	35440	Knopp	Knob	
8	1	35443	Crankshaft	Crankshaft	HM80155315P
21	1	35444	Kamaxel	Camshaft	HM80155312P
25	1	35445	Vevhusgavel kpl	Cover assy	Inkl.pos 26-27,37 _/ HM80155312P
195	1	35446	Nät	Screen	
39	1	35479	Bricka	Washer	
59	1	35499	O-ring	O-ring	
62	1	35540	Clip	Clip	
60	1	35554	Oljepåfyllningsrör	Oil fill tube	
58	1	35555	Oil dipstick	Oil dipstick	
131	1	570682	Primer	Primer	
197	1	590574	Styrplåt kpl	Starter handle	
213	1	590630	Starter assy	Starter assy	
82A	1	610118	Spark plug cover	Spark plug cover	
136	1	610973	Terminal	Terminal	
162	1	610973	Terminal	Terminal	
78	1	611093	Flywheel	Flywheel	
86	1	611111	Generator	Alternator coil	18 Watt
23	1	650128	Skruv	Screw	
109	2	650128	Skruv	Screw	
198	1	650168	Bricka	Washer	
119	2	650378	Skruv	Screw	



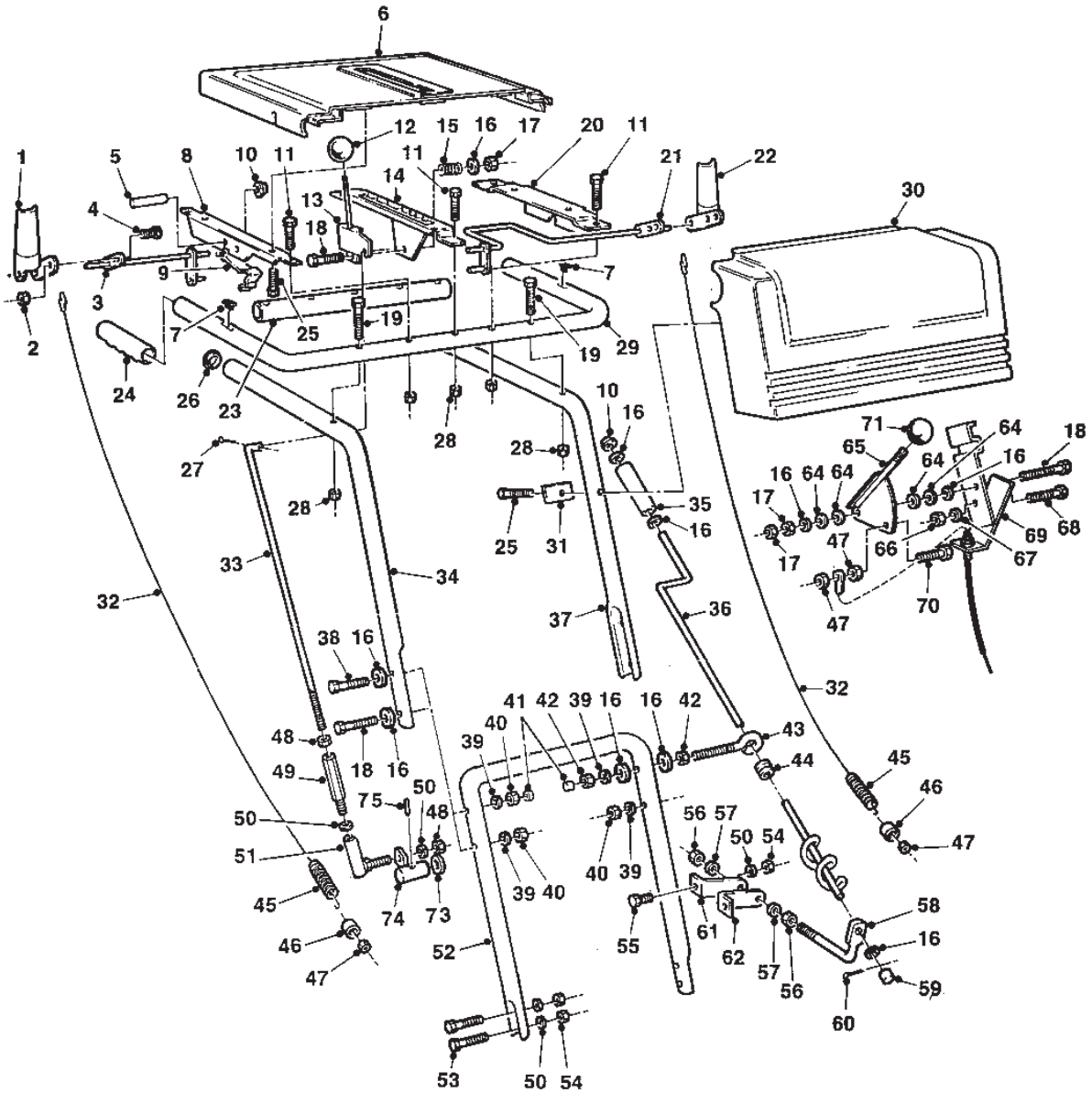
Utgåva Issue 32 - 2014		Tecumseh Hm80		Tecumseh Hm80	
Pos. Fig.	Antal Q.ty	Art nr Part No	Benämning	Description	Anmärkning Notes
54	1	650548	Skruv	Screw	
135	1	650549	Skruv	Screw	
7	2	650561	Skruv	Screw	
173	1	650561	Skruv	Screw	
174	2	650665	Skruv	Screw	
100	2	650691	Bricka	Washer	
171	2	650713	Skruv	Screw	
101	2	650727	Skruv	Screw	45 mm
146	1	650760	Skruv	Screw	
154	1	650760	Skruv	Screw	
157	1	650765	Skruv	Screw	
124	2	650767	Skruv	Screw	
143	2	650788	Skruv	Screw	
169	1	650802	Skruv	Screw	
83	1	650814	Skruv	Screw	
2	2	650820	Shoulder bolt	Shoulder bolt	
137	2	650821	Skruv	Screw	
56	1	650832	Skruv	Screw	43 mm
57	7	650833	Skruv	Screw	30 mm
43	2	650836	Skruv	Screw	
81	2	650872	Pinnbult	Mounting stud	
85	1	650873	Skruv	Screw	
79	1	650880	Bricka	Washer	
80	1	650881	Mutter	Nut	
19A	1	650882	Bult	Bolt	
19	1	650908	Bult	Bolt	
189	2	792093	Skruv	Screw	
99	1	1111-9028-02	Tändstift (J19Lm)	Spark Plug (J19Lm)	
66	1	27878A	Exhaust valve	Exhaust valve	Inkl.pos 70
104	2	27896A	Packning	Gasket	
120	1	27915A	Packning	Gasket	
144	2	29747B	Skruv	Screw	
118	2	30088A	Skruv	Screw	
38	1	30588A	Spool	Spool	
33	1	30699C	Governor rod	Governor rod	
132	1	32180C	Primerslang	Primer line	
168	1	33272A	Cover	Cover	
22	1	33273A	Extension	Extension	
215	1	33279G	Packningssats	Gasket kit	
96	1	34041A	Toppackning	Head gasket	
175	1	34156A	Fuel tank assy	Fuel tank assy	Inkl.pos 176,178
9A	1	34329A	Kolvsprint	Piston Pin	Inkl.pos 10
130	1	34822A	Blower housing	Blower housing	
155	1	35057A	Cover	Cover	
17	1	35373A	Conn.rod	Conn.rod	Inkl.pos 18-19A
8	1	35442B	Crankshaft	Crankshaft	HM80155312P
98	7	6021A	Skruv	Screw	38 mm
212	1	632334A	Förgasare kpl	Carburettor Assy	



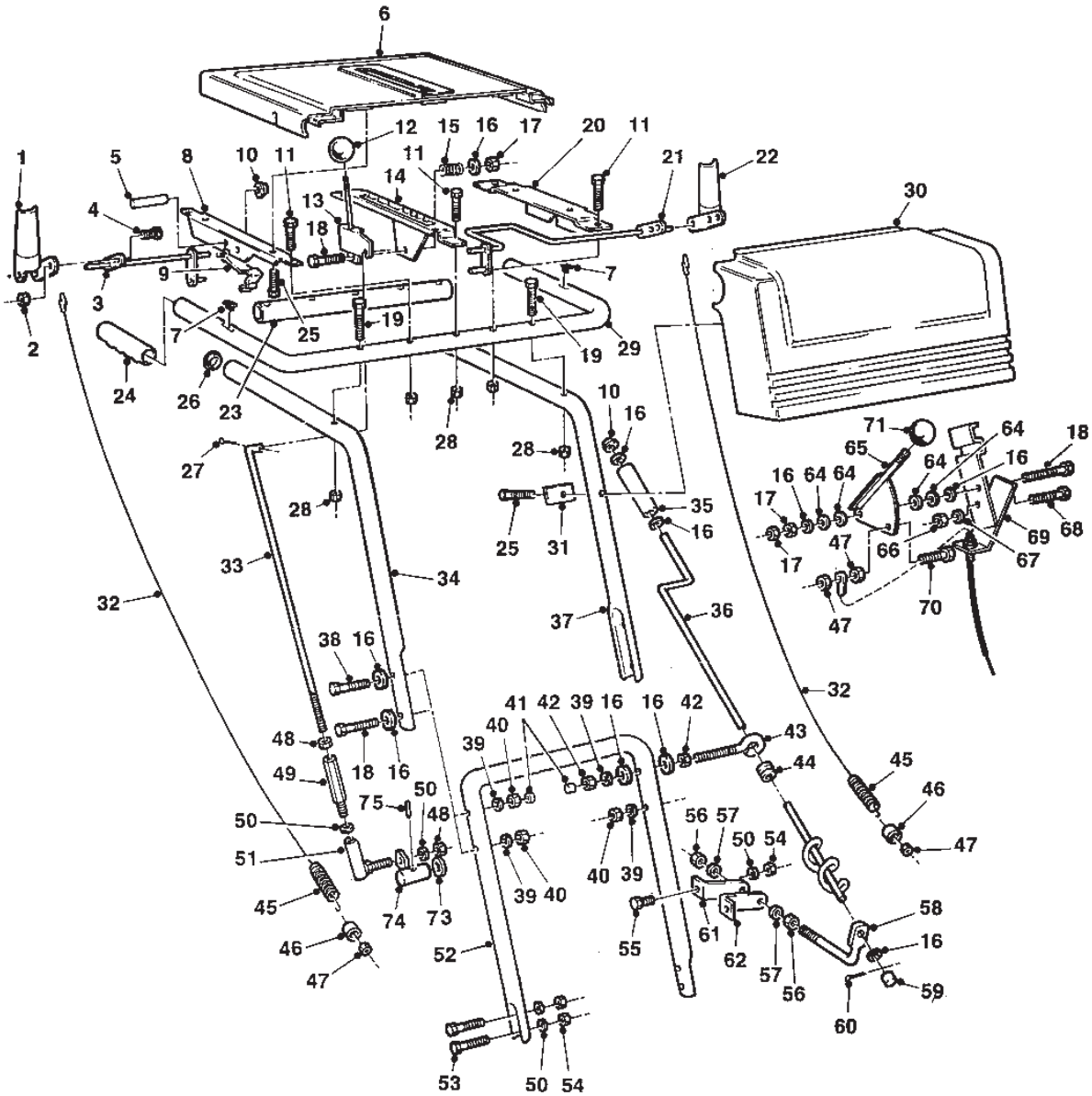
Utgåva Issue 32 - 2014		Tecumseh Hs40-Hs50-Hm80-Oh120 Förgasare Kpl Tecumseh Hs40-Hs50-Hm80-Oh120 Carburettor Assy			
Pos. Fig.	Antal Q.ty	Art nr Part No	Benämning	Description	Anmärkning Notes
21	1	27110	Packning	Gasket	
18	1	27554	Packning	Gasket	
20	1	31839	Skruv	Screw	Inkl. 5A,21,23,27 _/ HS50_/ HS40 _/ Kit: S
28	1	31840	Use MAS-031840 Reparationssats	Use MAS-031840 Repair Kit	HS50_/ HS40
8	1	630735	Fjäder	Spring	
5A	1	630738	Fjäder	Spring	
27	2	630739	Bricka	Washer	
23	2	630740	O-ring	O-ring	
10	1	630748	Welch plug	Welch plug	
5	2	630766	Fjäder	Spring	
12	1	631021	Nålventil kpl	Inlet needle assy	Inkl. pos 13
13	1	631022	Fjäder	Spring clip	
15	1	631024	Flottöraxel	Float shaft	
11	1	631027	Welch plug	Welch plug	
25	1	631028	O-ring	O-ring	
3	1	631036	Gasspjäll	Throttle Shutter	HS50_/ HS40
1	1	631615	Spjällsaxeln	Throttle Shaft	HS50_/ HS40
2	1	631767	Fjäder	Spring	HS50_/ HS40
1	1	631776	Spjällsaxeln	Throttle Shaft	HM80
3	1	631778	Gasspjäll	Throttle Shutter	HM80
26	1	631807	Nippel	Fuel fitting	HS50_/ HS40
9	1	631815	Choke shutter	Choke shutter	HS50_/ HS40
24	1	631838	Skruv	Screw	HS50_/ HS40 _/ Kit: S
16	1	631951	Flottörhus kpl	Float bowl assy	Inkl. pos 17,18
2	1	631970	Fjäder	Spring	HM80 _/ OH120
14	1	632019	Flottör	Float	
7	1	632108	Choke shaft	Choke shaft	HS50_/ HS40
7	1	632112	Choke shaft	Choke shaft	HM80
26	1	632164	Nippel	Fuel fitting	HM80
9	1	632174	Choke shutter	Choke shutter	HM80
20	1	632239	Skruv	Screw	Inkl. 5A,21,23,27 _/ HM80 _/ OH120
24	1	632281	Förgasare kpl	Carburettor Assy	HM80 _/ OH120 _/ Kit: S
28	1	632347	Reparationssats	Repair Kit	HM80 _/ OH120
1	1	632512	Spjällsaxeln	Throttle Shaft	OH120
7	1	632513	Choke shaft	Choke shaft	OH120
9	1	632514	Choke shutter	Choke shutter	OH120
3	1	632517	Gasspjäll	Throttle Shutter	OH120
26	1	632527	Nippel	Fuel fitting	OH120
6	1	650417	Skruv	Screw	
4	2	650506	Skruv	Screw	
17	1	27136A	Bowl drain	Bowl drain	Inkl. pos 18
0	1	632107A	Förgasare kpl	Carburettor Assy	HS50
0	1	632113A	Förgasare kpl	Carburettor Assy	HS40
0	1	632334A	Förgasare kpl	Carburettor Assy	HM80
0	1	632511A	Förgasare kpl	Carburettor Assy	OH120



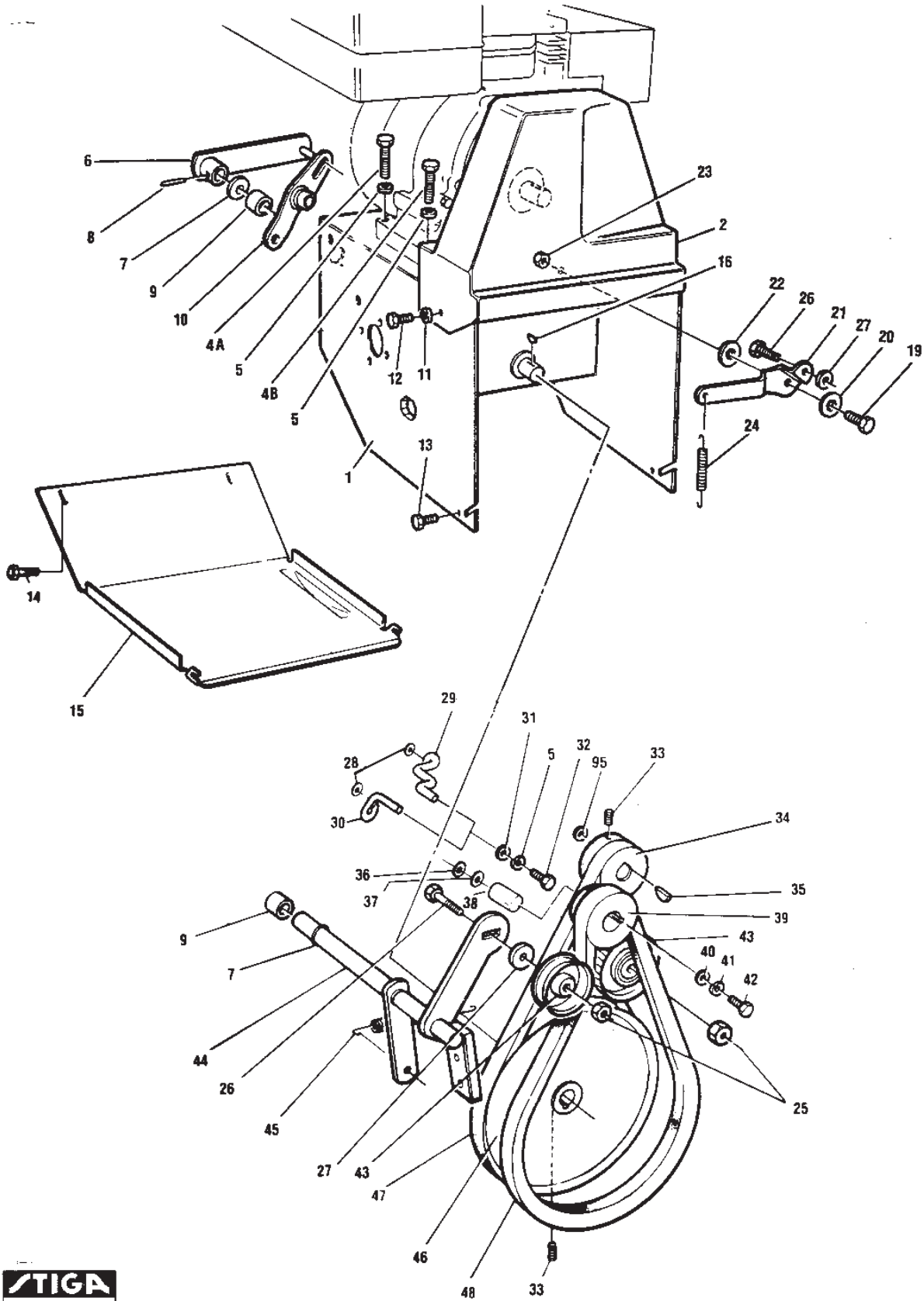
Utgåva Issue 32 - 2014		Tecumseh Hs40-Hs50-Hm80-Oh120 Start Kpl		Tecumseh Hs40-Hs50-Hm80-Oh120 Starter Assy	
Pos. Fig.	Antal Q.ty	Art nr Part No	Benämning	Description	Anmärkning Notes
A11	1	590574	Styrplåt kpl	Starter handle	HM800H120
13	1	590574	Styrplåt kpl	Starter handle	
A3	1	590598	Fjäder	Spring	HM800H120
5	1	590598	Fjäder	Spring	
A2	1	590600	Bricka	Washer	HM800H120
2	1	590600	Bricka	Washer	
A7	1	590601	Bricka	Washer	HM800H120
4	1	590601	Bricka	Washer	
3	1	590615	Hållare	Retainer	
6	2	590616	Starter dog	Starter dog	
A06	2	590617	Fjäder	Spring	HM800H120
7	2	590617	Fjäder	Spring	
9	1	590619	Returfjäder	Rewind spring	
10	1	590620	Cover	Cover	
A4	1	590627	Hållare	Retainer	HM800H120
A8	1	590628	Pulley	Pulley	HM800H120
A10	1	590629	Fjäder	Spring	HM800H120
A00	1	590630	Starter assy	Starter assy	HM800H120
A12	1	590631	Starthus	Starter housing	HM800H120
A05	2	590641	Startklo	Dog	HM800H120
8	1	590645	Pulley	Pulley	
0	1	590646	Starter assy	Starter assy	
11	1	590647	Starthus	Starter housing	
12	1	1111-1580-01	Startsnöre	Starter Rope	
A9	1	1111-1580-02	Startsnöre (Från 5 Hk) S	Starter Rope >5Hp	HM800H120
A1	1	590599A	Stift	Pin	HM800H120
1	1	590599A	Stift	Pin	Inkl.pos 4



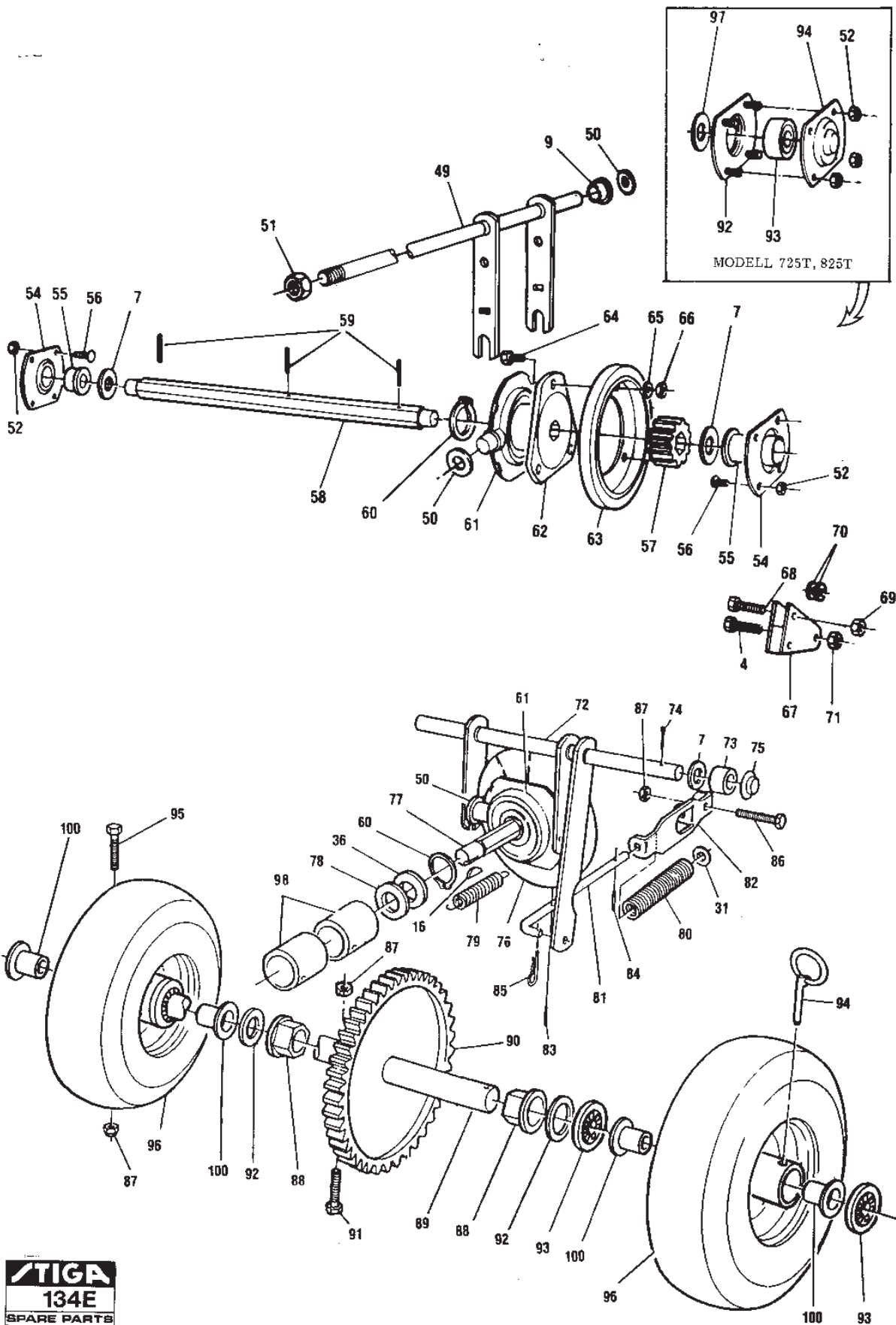
Utgåva Issue 32 - 2014		Styre Reglage		Handle Controls	
Pos. Fig.	Antal Q.ty	Art nr Part No	Benämning	Description	Anmärkning Notes
44	1	1812-0203-01	Bussning	Bushing	
32	2	1812-0249-01	Reglagewire (817 Mm)	Wire (817 Mm)	
45	2	1812-0253-01	Fjäder	Spring	
51	1	1812-0303-01	Kulled	Ball Joint	
15	1	1812-0304-01	Fjäder	Spring	
43	1	1812-0394-01	Öglebult	Eyebolt	
75	1	1812-0401-01	Stift	Pin	
7	2	1812-0520-01	Skydd	Protection	
52	1	1812-0553-01	Däck-underdel Styre-underdel	Handle Lower Part	
74	1	1812-0563-01	Reglagestång	Control Rod	
36	1	1812-0569-01	Inställningsvev	Chute Crank	
49	1	1812-0622-01	Skruvhylsa	Adaptor	
59	1	1812-0646-01	Plastknopp	Plastic cap	
10	3	1812-0649-01	Låsknopp	Cap Retainer	
33	1	1812-0666-01	Växelstång	Rod Speed Control	
25	6	1812-0670-01	Bult	Bolt	
62	1	1812-0673-01	Fäststag Vä	Bracket Chute Rotate L.H	
61	1	1812-0674-01	Fäststag Hö	Bracket Chute Rotate R.H	
58	1	1812-0675-01	Stag	Rod Chute Control	
37	1	1812-0689-01	Styrrör-vä	Upper Handle L.H	
34	1	1812-0690-01	Styrrör Hö	Upper Handle R.H	
26	2	1812-0692-01	PlastPlugg	Plastic End Plug	
14	1	1812-0693-01	Panelstöd	Control Panel Support	
13	1	1812-0701-01	Växelspak	Handle Speed Control	
30	1	1812-0704-01	Panel-främre	Control Panel Front	
31	2	1812-0705-01	Fjäderbleck	Spring Clip	
12	1	1812-0706-01	Reglagekula	Knob	
4	2	1812-0821-01	Skruv	Carriage Bolt	
5	1	1812-0823-01	Stift	Pin	
46	2	1812-0824-01	Distans	Spacer	
41	2	1812-0830-01	Plastknopp	Plastic Stop	
35	1	1812-0832-01	Handtag	Crank Handle	
9	1	1812-0834-01	Låsfjäder	Cam Lock Spring	
22	1	1812-0888-01	Kopplingshandtag Vä	Hand Control L.H.	
1	1	1812-0889-01	Kopplingshandtag Hö	Hand Control R.H	
29	1	1812-0890-01	Styrbygel	Upper Handle Loop	
23	1	1812-0891-01	Tvärrör	Cross Bar	
20	1	1812-0892-01	Fäste	Bracket	
21	1	1812-0893-01	Spärrstång Vä	Bail Rod L.H	
3	1	1812-0894-01	Spärrstång Hö	Bail Rod R.H	
8	1	1812-0895-01	Fäste	Bracket	
24	2	1812-0955-01	Handtag	Handle Grip	
6	1	1812-0975-01	Panel-övre	Control panel-top	
27	1	9599-0054-02	SaxSprint	Split Pin	
60	1	9599-0054-02	SaxSprint	Split Pin	
50	8	9683-0030-02	Bricka	Washer	
39	4	9683-0035-02	Bricka	Washer	
57	2	9683-0055-02	Bricka	Washer	
16	8	9699-0029-02	Bricka	Washer	



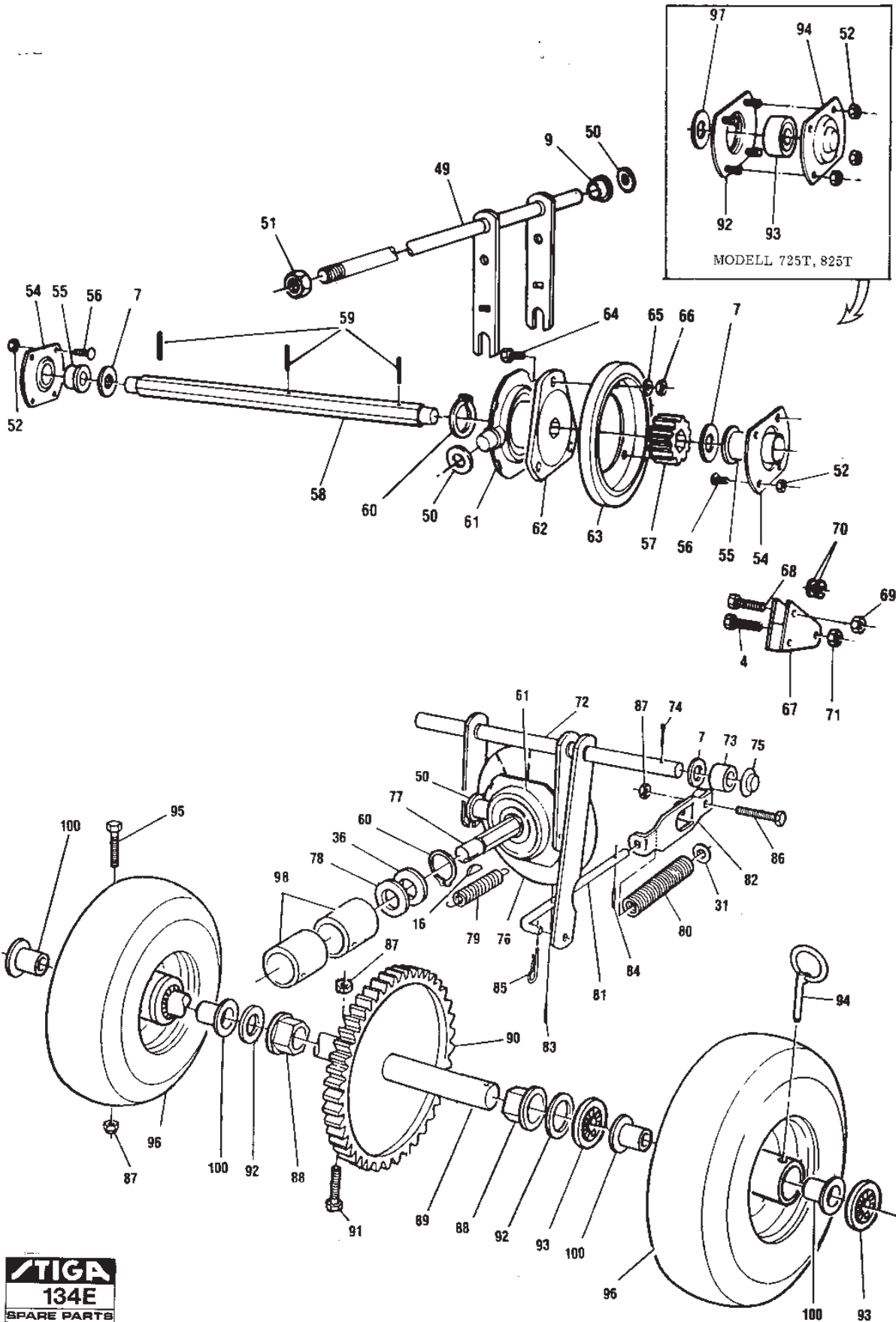
Utgåva Issue 32 - 2014		Styre Reglage		Handle Controls	
Pos. Fig.	Antal Q.ty	Art nr Part No	Benämning	Description	Anmärkning Notes
73	1	9699-0115-02	Bricka	Washer	
47	2	9743-3521-32	Mutter	Nut	
2	2	9743-3521-32	Mutter	Nut	
28	10	9743-3621-32	Mutter	Nut	
17	1	9743-3721-32	Mutter	Nut	
42	2	9743-3721-32	Mutter	Nut	
56	2	9743-5421-32	Mutter	Nut	
48	2	9794-5131-02	Mutter	Nut	
54	6	9795-3631-02	Mutter	Nut	
40	3	9795-3731-02	Mutter	Nut	
55	2	9899-3622-16	Skruv	Screw	
53	4	9988-3619-16	Skruv	Screw	
11	6	9988-3645-16	Skruv	Screw	
19	4	9988-3670-12	Skruv	Screw	
18	3	9988-3745-12	Skruv	Screw	
38	1	9988-3764-12	Skruv	Screw	



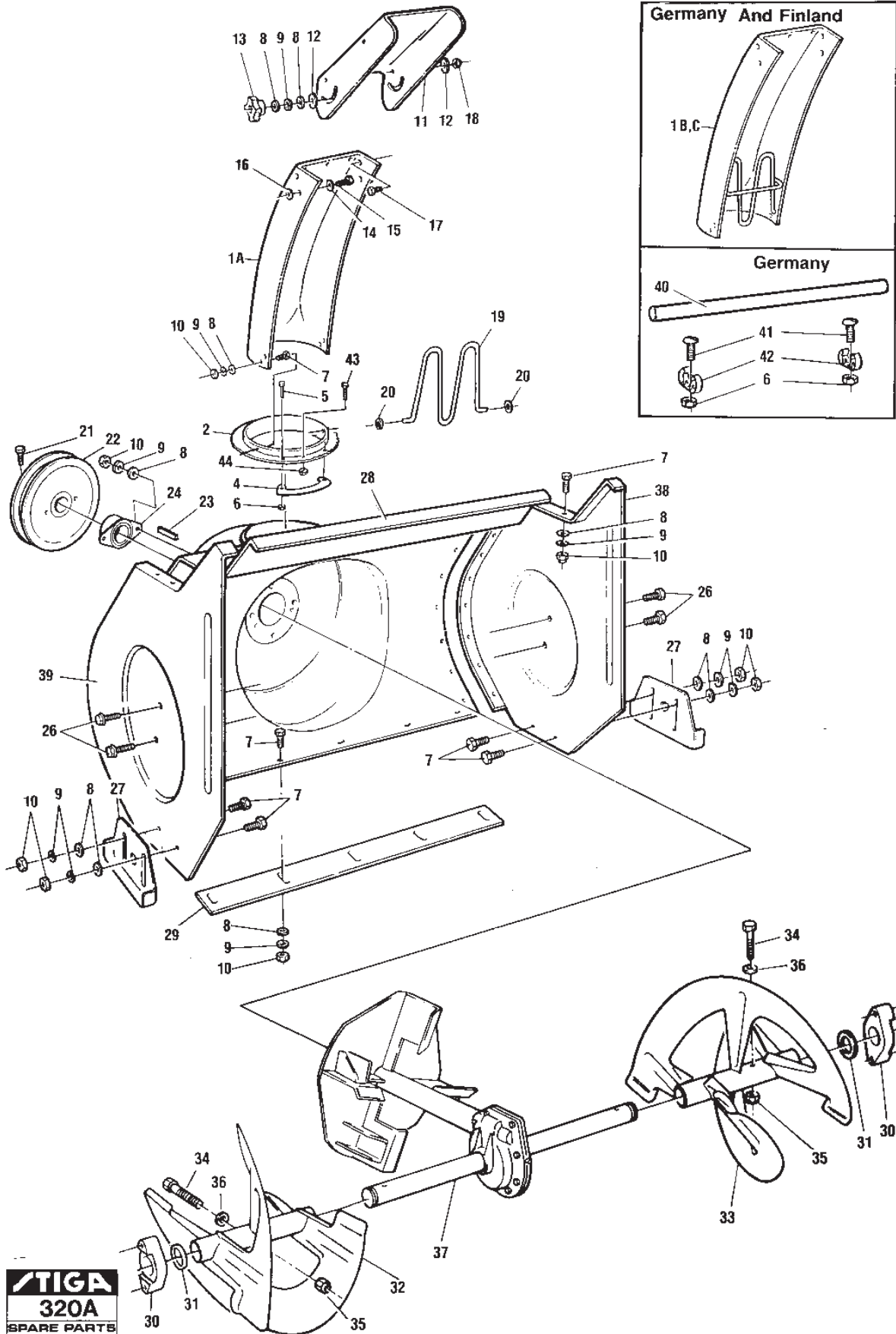
Utgåva Issue 32 - 2014		Remtransmission		Belt Transmission	
Pos. Fig.	Antal Q.ty	Art nr Part No	Benämning	Description	Anmärkning Notes
45	1	1812-0212-01	Fjäder	Spring	
40	1	1812-0283-01	Bricka	Washer	
43	2	1812-0305-01	Spännrulle	Tension Roller	
16	1	1812-0307-01	Kil	Key	
9	2	1812-0328-01	Bussning	Bushing	
24	1	1812-0329-01	Fjäder	Spring	
21	1	1812-0355-01	Hävarm	Lever	
22	1	1812-0356-01	Distans	Spacer	
46	1	1812-0357-01	Remskiva	Pulley	8"
36	1	1812-0361-01	Bricka	Washer	
34	1	1812-0381-01	Motorremskiva	Engine Pulley	
12	2	1812-0384-01	Skruv	Screw	
14	4	1812-0384-01	Skruv	Screw	
13	4	1812-0385-01	Skruv	Screw	
8	1	1812-0401-01	Stift	Pin	
37	1	1812-0407-01	Bricka	Washer	
6	1	1812-0446-01	Hävarm	Lever	
10	1	1812-0447-01	Hävarm	Lever	
15	1	1812-0452-01	Bottenplåt	Bottom Panel	
29	1	1812-0532-01	Remstyrning	Belt Guide	825, 825T
30	1	1812-0533-01	Remstyrning	Belt Guide	825, 825T
39	1	1812-0561-01	Motorremskiva	Engine Pulley	
2	1	1812-0562-01	Remskydd	Belt Guard	
44	1	1812-0638-01	Regleraxel	Control Shaft	
38	1	1812-0656-01	Distans	Spacer	
1	1	1812-0687-01	Chassi	Motor mount frame	
35	1	1812-0718-01	Kil	Key	
28	2	1812-0730-01	Distans	Spacer	
33	2	1812-1118-01	Skruv	Screw	
47	1	1812-9008-01	Kilrem	V-Belt	Hjuldrivning
48	1	1812-9013-01	Kilrem	V-Belt	Snöskruv 825
5	6	9683-0030-02	Bricka	Washer	
41	1	9683-0035-02	Bricka	Washer	
11	2	9699-0026-02	Bricka	Washer	
31	2	9699-0028-02	Bricka	Washer	
27	2	9699-0029-02	Bricka	Washer	
7	2	9699-0038-02	Bricka	Washer	
20	1	9699-0062-02	Bricka	Washer	
23	1	9743-3621-32	Mutter	Nut	
25	2	9743-3721-32	Mutter	Nut	
32	2	9987-5125-16	Skruv	Screw	
42	1	9987-5225-16	Skruv	Screw	
19	1	9988-3619-16	Skruv	Screw	
4A	2	9988-3632-12	Skruv	Screw	32 mm
4B	2	9988-3638-12	Skruv	Screw	38 mm
26	2	9988-3732-12	Skruv	Screw	



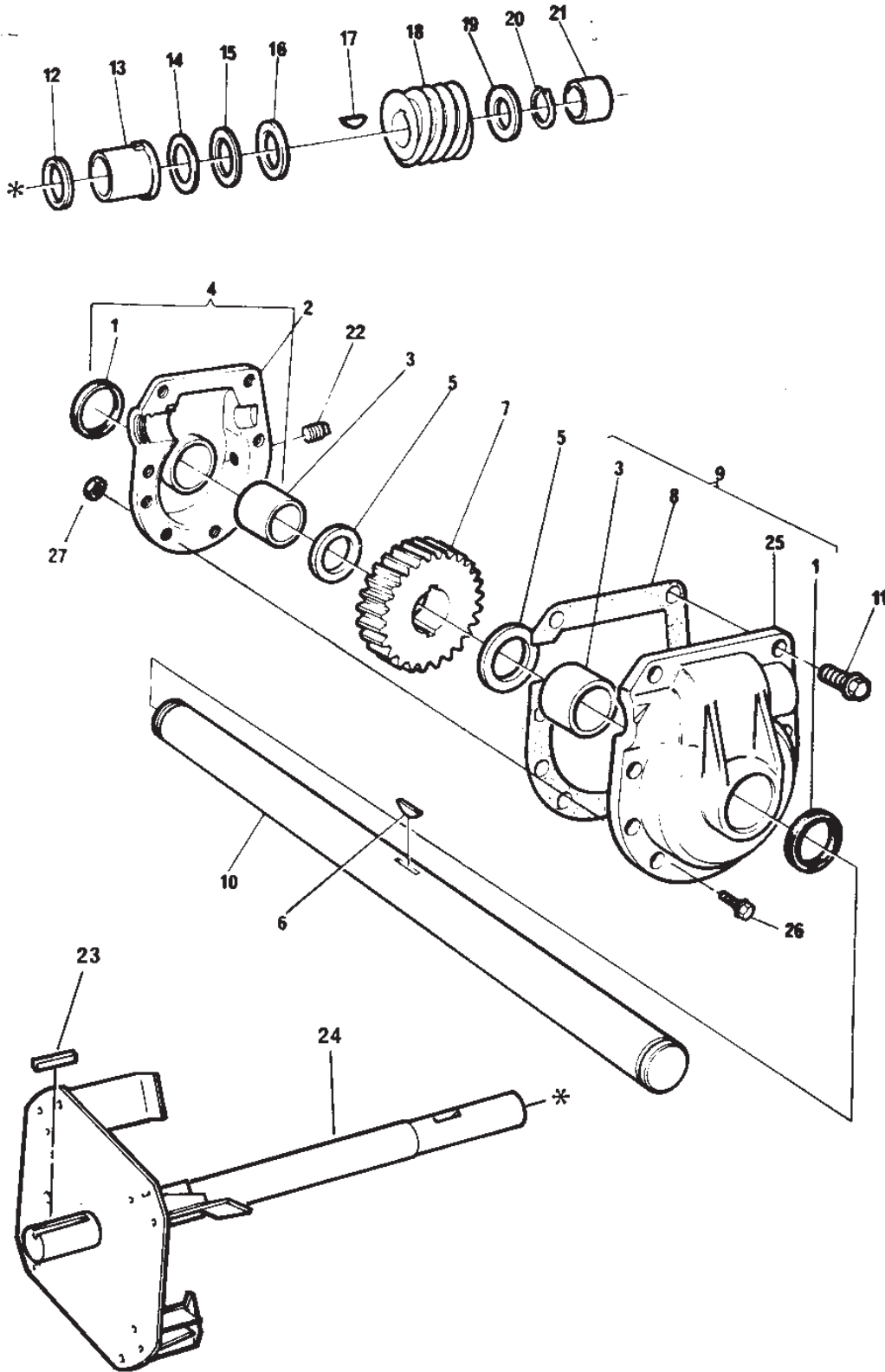
Utgåva Issue 32 - 2014		Framdrivning Drive Train			
Pos. Fig.	Antal Q.ty	Art nr Part No	Benämning	Description	Anmärkning Notes
52	8	1811-0421-01	Mutter	Nut	
67	1	1812-0247-01	Fäste	Bracket	
16	1	1812-0307-01	Kil	Key	
70	2	1812-0317-01	Distans	Spacer	
9	1	1812-0328-01	Bussning	Bushing	
36	1	1812-0361-01	Bricka	Washer	
76	1	1812-0362-01	Drivskiva	Pulley	
73	2	1812-0363-01	Bussning	Bushing	
79	1	1812-0364-01	Fjäder	Spring	
82	1	1812-0365-01	Fäste	Bracket	
80	1	1812-0366-01	Distans	Spacer	
81	1	1812-0367-01	Stång	Rod	
55	2	1812-0368-01	Lager M.Hållare	Bearing And Retainer	
62	1	1812-0370-01	Nav	Hub	
58	1	1812-0371-01	Axel	Shaft	
57	1	1812-0372-01	Drev	Worm Gear	
88	2	1812-0373-01	Lager	Bearing	
59	3	1812-0391-01	Stift	Pin	
56	8	1812-0395-01	Skruv	Screw	
60	2	1812-0402-01	Låsring	Retaining Ring	
75	2	1812-0404-01	Låsning	Retainer	
84	1	1812-0405-01	Stift	Pin	
83	1	1812-0406-01	Stift	Pin	
92	2	1812-0407-01	Bricka	Washer	
94	1	1812-0408-01	Låssprint	Clik Pin	
49	1	1812-0448-01	Shifter fork	Shifter fork	
72	1	1812-0449-01	Kopplingsgaffel	Clutch fork	
61	2	1812-0450-01	Bärlager	Bearing	
54	2	1812-0451-01	Bearing housing	Bearing housing	
93	2	1812-0567-01	Låsning I Bricka	Retainer ring I Washer	
89	1	1812-0588-01	Axel	Shaft	
90	1	1812-0620-01	Drev	Worm Gear	
96A	1	1812-0635-01	Snökedjor Mod.825	Snow Chain Mod.825	Ej ill/not ill.
77	1	1812-0686-01	Axel	Traction Hex Shaft	
78	1	1812-0709-01	Tryckbricka	Bearing Thrust	
98	2	1812-0710-01	Nållager	Bearing Needle	
100	4	1812-1073-01	Bussning	Bushing	
96	2	1812-1126-01	Hjul	Wheel	13 x 5.00-6
63	1	1812-9002-01	Friktionshjul	Friction Disc	
85	1	9599-0054-02	SaxSprint	Split Pin	
74	2	9599-0073-02	Saxsprint	Split Pin	
65	3	9683-0025-02	Bricka	Washer	
31	1	9699-0028-02	Bricka	Washer	
7	4	9699-0038-02	Bricka	Washer	
50	3	9699-0115-02	Bricka	Washer	
87	3	9743-3521-32	Mutter	Nut	
69	1	9743-3521-32	Mutter	Nut	
71	1	9743-3621-32	Mutter	Nut	
51	1	9743-3721-32	Mutter	Nut	



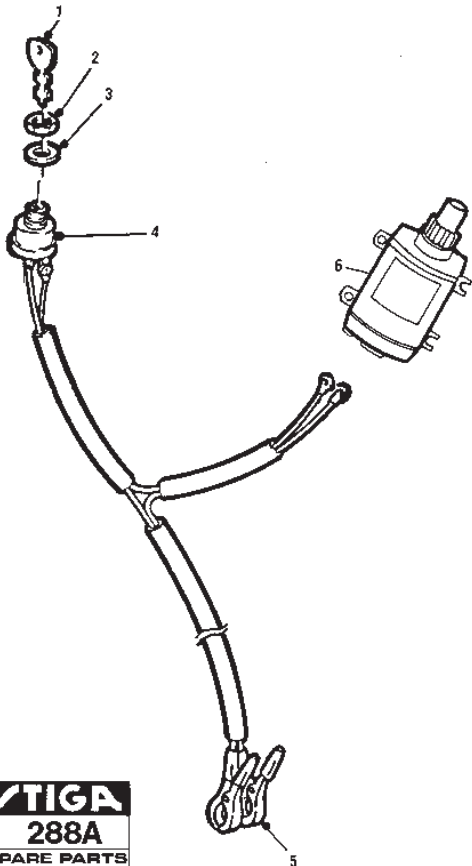
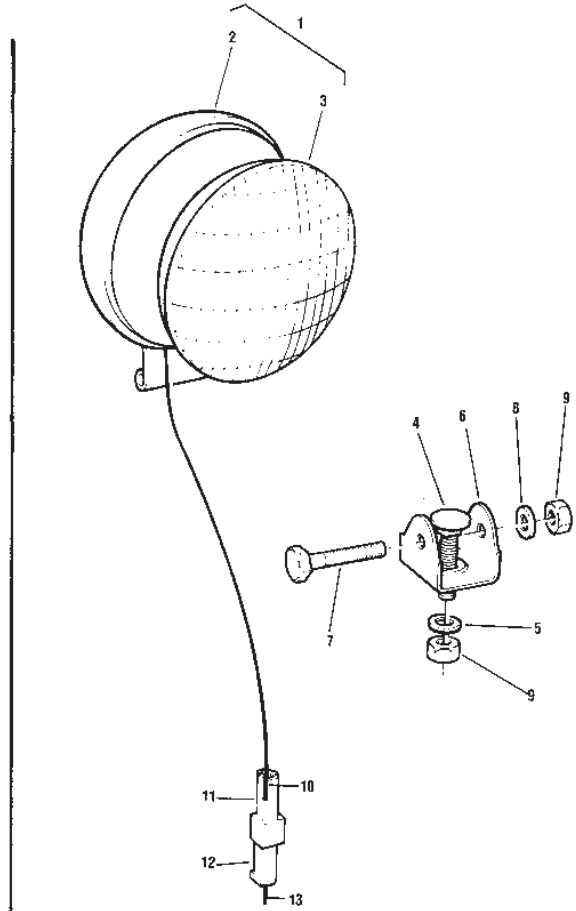
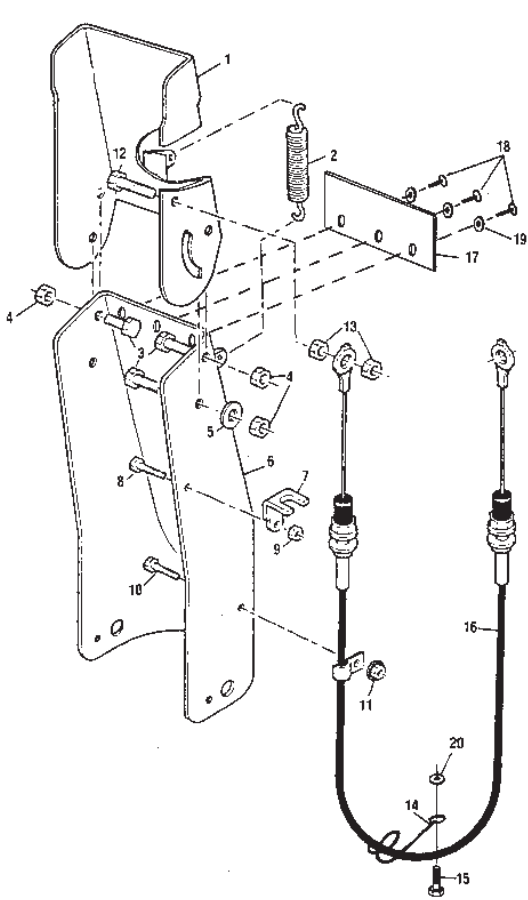
Utgåva Issue 32 - 2014		Framdrivning Drive Train			
Pos. Fig.	Antal Q.ty	Art nr Part No	Benämning	Description	Anmärkning Notes
66	3	9795-3531-02	Mutter	Nut	
64	3	9988-3516-16	Skruv	Screw	
86	1	9988-3532-12	Skruv	Screw	
95	1	9988-3538-12	Skruv	Screw	
68	1	9988-3545-12	Skruv	Screw	
91	1	9988-3557-12	Skruv	Screw	
4	1	9988-3632-12	Skruv	Screw	



Utgåva Issue 32 - 2014		Slungenhet Auger Assy			
Pos. Fig.	Antal Q.ty	Art nr Part No	Benämning	Description	Anmärkning Notes
13	1	1811-0344-01	Låsrott	Wing Knob	
29	1	1812-0219-01	Skrapskär	Scraper Bar	
19	1	1812-0231-01	Utkastskydd	Chute Protection	
15	1	1812-0273-01	Skruv	Screw	
40	1	1812-0315-01	Clean out stick	Clean out stick	Tyskland
42	2	1812-0316-01	Klämma	Clamp	
30	2	1812-0347-01	Lager	Bearing	
22	1	1812-0348-01	Remskiva	Pulley	6.5"
26	4	1812-0387-01	Skruv	Screw	
5	6	1812-0388-01	Skruv	Screw	
6	6	1812-0389-01	Mutter	Nut	
31	2	1812-0397-01	Distans	Spacer	
1A	1	1812-0443-01	Utkaströr	Chute	
36	2	1812-0531-01	Distans	Spacer	
37	1	1812-0539-01	Gear box assy	Gear box assy	
23	1	1812-0626-01	Kil	Key	
4	3	1812-0632-01	Hållare	Retainer	
1B	1	1812-0633-01	Utkaströr (Tyskland)	Chute (Germany)	Tyskland
33	1	1812-0657-01	Snöskruv-vä	Auger-LH	
32	1	1812-0658-01	Snöskruv Hö	Auger R.H	
11	1	1812-0662-01	Utkastskärm	Chute Deflector	
12	2	1812-0667-01	Plastbricka	Washer	
41	2	1812-0728-01	Bult	Bolt	
27	2	1812-0831-01	Släpsko	Height Adjustor	
28	1	1812-0867-01	Auger housing	Auger housing	
38	1	1812-0868-01	Sidoplåt Vä	Side Plate L.H	
39	1	1812-0869-01	Sidoplåt Hö	Side Plate R.H	
24	1	1812-0883-01	Lager	Bearing	
2	1	1812-1116-01	Fläns	Flange	
21	2	1812-1119-01	Bult	Bolt	
20	2	1812-1143-01	Låsring	Grip Ring	
34	1	1812-9005-01	Brytbultsats	Shear Bolt Kit	
9	31	9683-0030-02	Bricka	Washer	
8	31	9699-0028-02	Bricka	Washer	
16	1	9699-0029-02	Bricka	Washer	
14	1	9699-0069-02	Bricka	Washer	
44	1	9743-3521-32	Mutter	Nut	
18	3	9743-3621-32	Mutter	Nut	
10	30	9795-3631-02	Mutter	Nut	
7	28	9899-3622-16	Skruv	Screw	
43	1	9988-3525-16	Skruv	Screw	
17	3	9988-3619-16	Skruv	Screw	

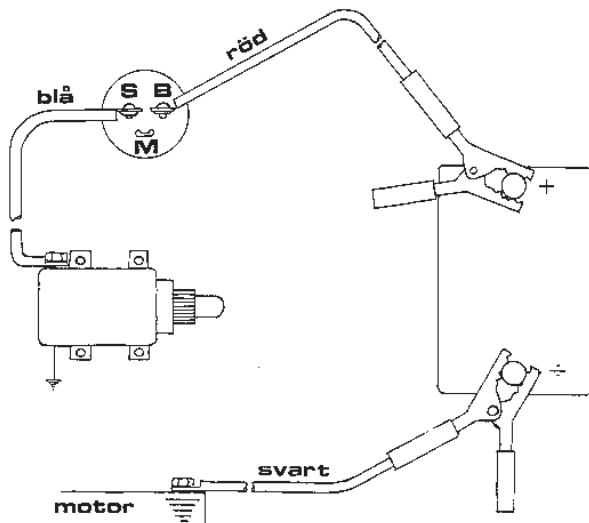


Utgåva Issue 32 - 2014		Snäckväxel Auger Gear Box			
Pos. Fig.	Antal Q.ty	Art nr Part No	Benämning	Description	Anmärkning Notes
8	1	1812-0226-01	Packning	Gasket	
2	1	1812-0227-01	Snäckväxelhus-vä	Gear case-LH Gear Housing, Left	
4	1	1812-0227-01	Snäckväxelhus-vä	Gear case-LH Gear Housing, Left	Inkl.pos 1,2,3
9	1	1812-0228-01	Snäckväxelhus-hö	Gear case-RH Gear Housing, Right	Inkl.pos 1,3,25
25	1	1812-0228-01	Snäckväxelhus-hö	Gear case-RH Gear Housing, Right	
19	1	1812-0284-01	Bricka	Washer	
20	1	1812-0286-01	Retainer ring	Retainer ring	
21	1	1812-0297-01	Lager	Bearing	
17	1	1812-0307-01	Kil	Key	
7	1	1812-0335-01	Drev	Worm Gear	
18	1	1812-0336-01	Snäckdrev	Gear	
16	1	1812-0337-01	Bricka	Washer	
15	1	1812-0338-01	Nållager	Needle Bearing	
14	1	1812-0339-01	Bricka	Washer	
12	1	1812-0341-01	Tätningring	Ring	
3	2	1812-0343-01	Lager	Bearing	
1	2	1812-0344-01	Tätningring	Ring	
5	2	1812-0345-01	Bricka	Washer	
22	1	1812-0346-01	OljePlugg	Oil Plug	
6	1	1812-0409-01	Woodruffkil	Woodruff Key	
24	1	1812-0439-01	Fläktaxel	Impeller Shaft	
10	1	1812-0538-01	Axel 25"	Shaft 25	
0	1	1812-0539-01	Gear box assy	Gear box assy	
23	1	1812-0626-01	Kil	Key	
13	1	1812-0925-01	Lager	Bearing Impeller Shaft	
27	8	9743-5121-02	Mutter	Nut	
26	7	9987-5125-16	Skruv	Screw	
11	1	9987-5145-12	Skruv	Screw	



STIGA
288A
SPARE PARTS

KOPPLINGSSCHEMA



Utgåva Issue 32 - 2014		Fjärreglage Belysning Elstart Remote Chute Light El.Starter			
Pos. Fig.	Antal Q.ty	Art nr Part No	Benämning	Description	Anmärkning Notes
A05	1	9677-0009-02			
A1	1	1812-0579-01	Strålkastare	Head Lamp	
A13	1	1812-0621-01	Cable	Cable	
A3	1	1812-0639-01	Strålkastarinsats	Sealed Beam	
A12	1	1812-0652-01	Flatstiftshylsa	Amp. Terminal Female	
A2	1	1812-0653-01	Lamphus	Light Housing	
A06	1	1812-0659-01	Lampfäste	Light Bracket	
A10	1	1812-0721-01	Flatstift	Amp. Terminal Male	
A11	1	1812-0722-01	Isoleringshylsa	Insulator	
A4	1	1812-0723-01	Bult	Bolt	
A8	1	9683-0030-02	Bricka	Washer	
A9	2	9795-3631-02	Mutter	Nut	
A7	1	9988-3651-12	Skruv	Screw	

code	pos.	q.ty	page											
1111-1580-01	12	1	p. 11	1812-0387-01	26	4	p. 23	1812-0687-01	1	1	p. 17			
1111-1580-02	A9	1	p. 11	1812-0388-01	5	6	p. 23	1812-0689-01	37	1	p. 13			
1111-9028-02	99	1	p. 7	1812-0389-01	6	6	p. 23	1812-0690-01	34	1	p. 13			
1811-0344-01	13	1	p. 23	1812-0391-01	59	3	p. 19	1812-0692-01	26	2	p. 13			
1811-0421-01	52	8	p. 19	1812-0394-01	43	1	p. 13	1812-0693-01	14	1	p. 13			
1812-0203-01	44	1	p. 13	1812-0395-01	56	8	p. 19	1812-0701-01	13	1	p. 13			
1812-0212-01	45	1	p. 17	1812-0397-01	31	2	p. 23	1812-0704-01	30	1	p. 13			
1812-0219-01	29	1	p. 23	1812-0401-01	8	1	p. 17	1812-0705-01	31	2	p. 13			
1812-0226-01	8	1	p. 25	1812-0401-01	75	1	p. 13	1812-0706-01	12	1	p. 13			
1812-0227-01	2	1	p. 25	1812-0402-01	60	2	p. 19	1812-0709-01	78	1	p. 19			
1812-0227-01	4	1	p. 25	1812-0404-01	75	2	p. 19	1812-0710-01	98	2	p. 19			
1812-0228-01	9	1	p. 25	1812-0405-01	84	1	p. 19	1812-0718-01	35	1	p. 17			
1812-0228-01	25	1	p. 25	1812-0406-01	83	1	p. 19	1812-0721-01	A10	1	p. 27			
1812-0231-01	19	1	p. 23	1812-0407-01	37	1	p. 17	1812-0722-01	A11	1	p. 27			
1812-0247-01	67	1	p. 19	1812-0407-01	92	2	p. 19	1812-0723-01	A4	1	p. 27			
1812-0249-01	32	2	p. 13	1812-0408-01	94	1	p. 19	1812-0728-01	41	2	p. 23			
1812-0253-01	45	2	p. 13	1812-0409-01	6	1	p. 25	1812-0730-01	28	2	p. 17			
1812-0273-01	15	1	p. 23	1812-0439-01	24	1	p. 25	1812-0821-01	4	2	p. 13			
1812-0283-01	40	1	p. 17	1812-0443-01	1A	1	p. 23	1812-0823-01	5	1	p. 13			
1812-0284-01	19	1	p. 25	1812-0446-01	6	1	p. 17	1812-0824-01	46	2	p. 13			
1812-0286-01	20	1	p. 25	1812-0447-01	10	1	p. 17	1812-0830-01	41	2	p. 13			
1812-0297-01	21	1	p. 25	1812-0448-01	49	1	p. 19	1812-0831-01	27	2	p. 23			
1812-0303-01	51	1	p. 13	1812-0449-01	72	1	p. 19	1812-0832-01	35	1	p. 13			
1812-0304-01	15	1	p. 13	1812-0450-01	61	2	p. 19	1812-0834-01	9	1	p. 13			
1812-0305-01	43	2	p. 17	1812-0451-01	54	2	p. 19	1812-0867-01	28	1	p. 23			
1812-0307-01	16	1	p. 17	1812-0452-01	15	1	p. 17	1812-0868-01	38	1	p. 23			
1812-0307-01	16	1	p. 19	1812-0520-01	7	2	p. 13	1812-0869-01	39	1	p. 23			
1812-0307-01	17	1	p. 25	1812-0531-01	36	2	p. 23	1812-0883-01	24	1	p. 23			
1812-0315-01	40	1	p. 23	1812-0532-01	29	1	p. 17	1812-0888-01	22	1	p. 13			
1812-0316-01	42	2	p. 23	1812-0533-01	30	1	p. 17	1812-0889-01	1	1	p. 13			
1812-0317-01	70	2	p. 19	1812-0538-01	10	1	p. 25	1812-0890-01	29	1	p. 13			
1812-0328-01	9	1	p. 19	1812-0539-01	0	1	p. 25	1812-0891-01	23	1	p. 13			
1812-0328-01	9	2	p. 17	1812-0539-01	37	1	p. 23	1812-0892-01	20	1	p. 13			
1812-0329-01	24	1	p. 17	1812-0553-01	52	1	p. 13	1812-0893-01	21	1	p. 13			
1812-0335-01	7	1	p. 25	1812-0561-01	39	1	p. 17	1812-0894-01	3	1	p. 13			
1812-0336-01	18	1	p. 25	1812-0562-01	2	1	p. 17	1812-0895-01	8	1	p. 13			
1812-0337-01	16	1	p. 25	1812-0563-01	74	1	p. 13	1812-0925-01	13	1	p. 25			
1812-0338-01	15	1	p. 25	1812-0567-01	93	2	p. 19	1812-0955-01	24	2	p. 13			
1812-0339-01	14	1	p. 25	1812-0569-01	36	1	p. 13	1812-0975-01	6	1	p. 13			
1812-0341-01	12	1	p. 25	1812-0579-01	A1	1	p. 27	1812-1073-01	100	4	p. 19			
1812-0343-01	3	2	p. 25	1812-0588-01	89	1	p. 19	1812-1116-01	2	1	p. 23			
1812-0344-01	1	2	p. 25	1812-0620-01	90	1	p. 19	1812-1118-01	33	2	p. 17			
1812-0345-01	5	2	p. 25	1812-0621-01	A13	1	p. 27	1812-1119-01	21	2	p. 23			
1812-0346-01	22	1	p. 25	1812-0622-01	49	1	p. 13	1812-1126-01	96	2	p. 19			
1812-0347-01	30	2	p. 23	1812-0626-01	23	1	p. 25	1812-1143-01	20	2	p. 23			
1812-0348-01	22	1	p. 23	1812-0632-01	4	3	p. 23	1812-9002-01	63	1	p. 19			
1812-0355-01	21	1	p. 17	1812-0633-01	1B	1	p. 23	1812-9005-01	34	1	p. 23			
1812-0356-01	22	1	p. 17	1812-0635-01	96A	1	p. 19	1812-9008-01	47	1	p. 17			
1812-0357-01	46	1	p. 17	1812-0638-01	44	1	p. 17	1812-9013-01	48	1	p. 17			
1812-0361-01	36	1	p. 17	1812-0639-01	A3	1	p. 27	6021A	98	7	p. 7			
1812-0361-01	36	1	p. 19	1812-0646-01	59	1	p. 13	9599-0054-02	27	1	p. 13			
1812-0362-01	76	1	p. 19	1812-0649-01	10	3	p. 13	9599-0054-02	60	1	p. 13			
1812-0363-01	73	2	p. 19	1812-0652-01	A12	1	p. 27	9599-0054-02	85	1	p. 19			
1812-0364-01	79	1	p. 19	1812-0653-01	A2	1	p. 27	9599-0073-02	74	2	p. 19			
1812-0365-01	82	1	p. 19	1812-0656-01	38	1	p. 17	9677-0009-02	A05	1	p. 27			
1812-0366-01	80	1	p. 19	1812-0657-01	33	1	p. 23	9683-0025-02	65	3	p. 19			
1812-0367-01	81	1	p. 19	1812-0658-01	32	1	p. 23	9683-0030-02	5	6	p. 17			
1812-0368-01	55	2	p. 19	1812-0659-01	A06	1	p. 27	9683-0030-02	9	31	p. 23			
1812-0370-01	62	1	p. 19	1812-0662-01	11	1	p. 23	9683-0030-02	50	8	p. 13			
1812-0371-01	58	1	p. 19	1812-0666-01	33	1	p. 13	9683-0030-02	A8	1	p. 27			
1812-0372-01	57	1	p. 19	1812-0667-01	12	2	p. 23	9683-0035-02	39	4	p. 13			
1812-0373-01	88	2	p. 19	1812-0670-01	25	6	p. 13	9683-0035-02	41	1	p. 17			
1812-0381-01	34	1	p. 17	1812-0673-01	62	1	p. 13	9683-0055-02	57	2	p. 13			
1812-0384-01	12	2	p. 17	1812-0674-01	61	1	p. 13	9699-0026-02	11	2	p. 17			
1812-0384-01	14	4	p. 17	1812-0675-01	58	1	p. 13	9699-0028-02	8	31	p. 23			
1812-0385-01	13	4	p. 17	1812-0686-01	77	1	p. 19	9699-0028-02	31	1	p. 19			
								9699-0028-02	31	2	p. 17			

code	pos.	q.ty	page									
9699-0029-02	16	1	p. 23	27915A	120	1	p. 7	35262	24	1	p. 5	
9699-0029-02	16	8	p. 13	28423	105	1	p. 3	35287	194	1	p. 5	
9699-0029-02	27	2	p. 17	28424	106	1	p. 3	35305	161	1	p. 5	
9699-0038-02	7	2	p. 17	28425	107	1	p. 3	35319	4	1	p. 5	
9699-0038-02	7	4	p. 19	28545	153	1	p. 3	35319	27	1	p. 5	
9699-0062-02	20	1	p. 17	28820	122	2	p. 3	35326	6	1	p. 5	
9699-0069-02	14	1	p. 23	28926	28	1	p. 3	35350	108	1	p. 5	
9699-0115-02	50	3	p. 19	28942	156	2	p. 3	35355	176	1	p. 5	
9699-0115-02	73	1	p. 15	29193	40	1	p. 3	35373A	17	1	p. 7	
9743-3521-32	2	2	p. 15	29216	51	1	p. 3	35374	18	1	p. 5	
9743-3521-32	44	1	p. 23	29443	77	1	p. 3	35375	21	1	p. 5	
9743-3521-32	47	2	p. 15	29642	36	1	p. 3	35376	25	1	p. 5	
9743-3521-32	69	1	p. 19	29747B	144	2	p. 7	35377	26	1	p. 5	
9743-3521-32	87	3	p. 19	29752	114	2	p. 3	35378	41	1	p. 5	
9743-3621-32	18	3	p. 23	29752	196	4	p. 3	35385	1	1	p. 5	
9743-3621-32	23	1	p. 17	29774	180	1	p. 3	35392	199	1	p. 5	
9743-3621-32	28	10	p. 15	29826	50	1	p. 3	35438	159	1	p. 5	
9743-3621-32	71	1	p. 19	29916	49	1	p. 3	35440	147	1	p. 5	
9743-3721-32	17	1	p. 15	29918	53	1	p. 3	35442B	8	1	p. 7	
9743-3721-32	25	2	p. 17	30088A	118	2	p. 7	35443	8	1	p. 5	
9743-3721-32	42	2	p. 15	30322	55	1	p. 3	35444	21	1	p. 5	
9743-3721-32	51	1	p. 19	30588A	38	1	p. 7	35445	25	1	p. 5	
9743-5121-02	27	8	p. 25	30699C	33	1	p. 7	35446	195	1	p. 5	
9743-5421-32	56	2	p. 15	30705	177	1	p. 3	35479	39	1	p. 5	
9794-5131-02	48	2	p. 15	30968	3A	1	p. 3	35499	59	1	p. 5	
9795-3531-02	66	3	p. 21	30969	3B	1	p. 3	35540	62	1	p. 5	
9795-3631-02	10	30	p. 23	31342	134	1	p. 3	35554	60	1	p. 5	
9795-3631-02	54	6	p. 15	31588	188	1	p. 3	35555	58	1	p. 5	
9795-3631-02	A9	2	p. 27	31839	20	1	p. 9	570682	131	1	p. 5	
9795-3731-02	40	3	p. 15	31840	28	1	p. 9	590574	13	1	p. 11	
9899-3622-16	7	28	p. 23	31845	37	1	p. 3	590574	197	1	p. 5	
9899-3622-16	55	2	p. 15	32180C	132	1	p. 7	590574	A11	1	p. 11	
9987-5125-16	26	7	p. 25	32581	70	2	p. 3	590598	5	1	p. 11	
9987-5125-16	32	2	p. 17	32589	76	1	p. 3	590598	A3	1	p. 11	
9987-5145-12	11	1	p. 25	32961	179	1	p. 3	590599A	1	1	p. 11	
9987-5225-16	42	1	p. 17	33013	145	1	p. 3	590599A	A1	1	p. 11	
9988-3516-16	64	3	p. 21	33263	115	1	p. 3	590600	2	1	p. 11	
9988-3525-16	43	1	p. 23	33272A	168	1	p. 7	590600	A2	1	p. 11	
9988-3532-12	86	1	p. 21	33273A	22	1	p. 7	590601	4	1	p. 11	
9988-3538-12	95	1	p. 21	33279G	215	1	p. 7	590601	A7	1	p. 11	
9988-3545-12	68	1	p. 21	33369	42	1	p. 3	590615	3	1	p. 11	
9988-3557-12	91	1	p. 21	33377	123	1	p. 3	590616	6	2	p. 11	
9988-3619-16	17	3	p. 23	33454	52	1	p. 3	590617	7	2	p. 11	
9988-3619-16	19	1	p. 17	33877	117	1	p. 3	590617	A06	2	p. 11	
9988-3619-16	53	4	p. 15	33878	140	1	p. 3	590619	9	1	p. 11	
9988-3632-12	4	1	p. 21	34030	97	1	p. 3	590620	10	1	p. 11	
9988-3632-12	4A	2	p. 17	34034	20	2	p. 3	590627	A4	1	p. 11	
9988-3638-12	4B	2	p. 17	34035	67	1	p. 3	590628	A8	1	p. 11	
9988-3645-16	11	6	p. 15	34041A	96	1	p. 7	590629	A10	1	p. 11	
9988-3651-12	A7	1	p. 27	34126	152	1	p. 3	590630	213	1	p. 5	
9988-3670-12	19	4	p. 15	34154	170	1	p. 3	590630	A00	1	p. 11	
9988-3732-12	26	2	p. 17	34155	172	1	p. 3	590631	A12	1	p. 11	
9988-3745-12	18	3	p. 15	34156A	175	1	p. 7	590641	A05	2	p. 11	
9988-3764-12	38	1	p. 15	34329A	9A	1	p. 7	590645	8	1	p. 11	
26460	178	4	p. 3	34332	11	1	p. 3	590646	0	1	p. 11	
27110	21	1	p. 9	34586	158	1	p. 3	590647	11	1	p. 11	
27136A	17	1	p. 9	34587	121	1	p. 5	610118	82A	1	p. 5	
27275	77A	1	p. 3	34663	138	1	p. 5	610973	136	1	p. 5	
27554	18	1	p. 9	34667	139	1	p. 5	610973	162	1	p. 5	
27642	3	2	p. 3	34677	133	1	p. 5	611093	78	1	p. 5	
27652	5	2	p. 3	34689	68A	1	p. 5	611111	86	1	p. 5	
27878A	66	1	p. 7	34822A	130	1	p. 7	630735	8	1	p. 9	
27881	69	2	p. 3	35056	187	1	p. 5	630738	5A	1	p. 9	
27882	68	1	p. 3	35057A	155	1	p. 7	630739	27	2	p. 9	
27888	10	2	p. 3	35062	160	1	p. 5	630740	23	2	p. 9	
27896A	104	2	p. 7	35135	82	1	p. 5	630748	10	1	p. 9	
				35253	95	1	p. 5	630766	5	2	p. 9	

code	pos.	q.ty	page
631021	12	1	p. 9
631022	13	1	p. 9
631024	15	1	p. 9
631027	11	1	p. 9
631028	25	1	p. 9
631036	3	1	p. 9
631615	1	1	p. 9
631767	2	1	p. 9
631776	1	1	p. 9
631778	3	1	p. 9
631807	26	1	p. 9
631815	9	1	p. 9
631838	24	1	p. 9
631951	16	1	p. 9
631970	2	1	p. 9
632019	14	1	p. 9
632107A	0	1	p. 9
632108	7	1	p. 9
632112	7	1	p. 9
632113A	0	1	p. 9
632164	26	1	p. 9
632174	9	1	p. 9
632239	20	1	p. 9
632281	24	1	p. 9
632334A	0	1	p. 9
632334A	212	1	p. 7
632347	28	1	p. 9
632511A	0	1	p. 9
632512	1	1	p. 9
632513	7	1	p. 9
632514	9	1	p. 9
632517	3	1	p. 9
632527	26	1	p. 9
650128	23	1	p. 5
650128	109	2	p. 5
650168	198	1	p. 5
650378	119	2	p. 5
650417	6	1	p. 9
650506	4	2	p. 9
650548	54	1	p. 7
650549	135	1	p. 7
650561	7	2	p. 7
650561	173	1	p. 7
650665	174	2	p. 7
650691	100	2	p. 7
650713	171	2	p. 7
650727	101	2	p. 7
650760	146	1	p. 7
650760	154	1	p. 7
650765	157	1	p. 7
650767	124	2	p. 7
650788	143	2	p. 7
650802	169	1	p. 7
650814	83	1	p. 7
650820	2	2	p. 7
650821	137	2	p. 7
650832	56	1	p. 7
650833	57	7	p. 7
650836	43	2	p. 7
650872	81	2	p. 7
650873	85	1	p. 7
650880	79	1	p. 7
650881	80	1	p. 7
650882	19A	1	p. 7
650908	19	1	p. 7
792093	189	2	p. 7