

STIGA

Reservdelskatalog Parts Catalogue

ST523 (S N)

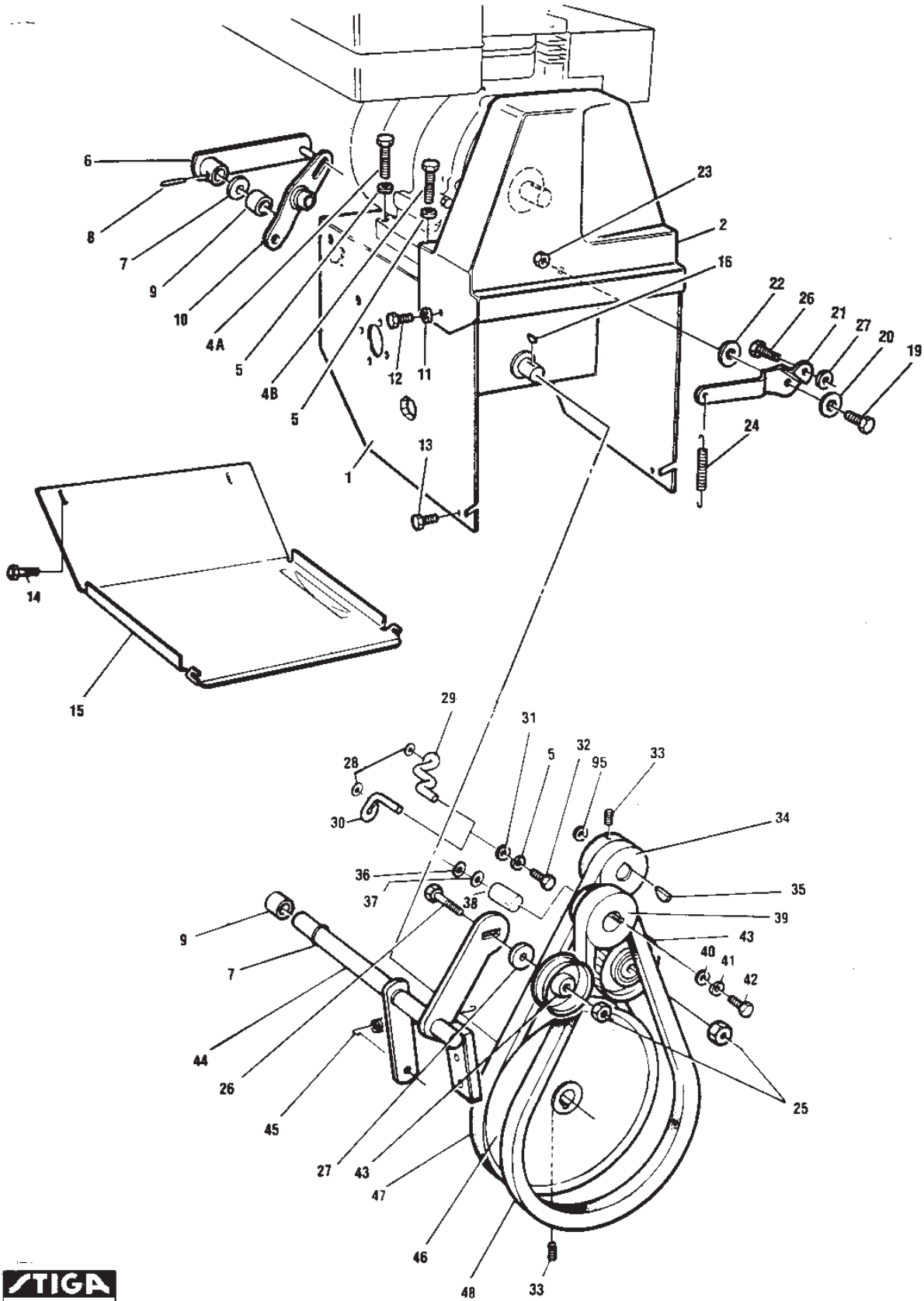
18-1813-14 - Season 1989

- Use GLOBAL GARDEN PRODUCT Genuine Spare Parts specified in the parts list for repair and/or replacement.
 - The contents described in the parts list may change due to improvement.
 - The drawings of the spare parts are only indicative and might not represent the part in question exactly.
 - The indications "right" - "left" - "front" - "rear" refer to the position of the operator when using the machine.
- When placing orders of parts for repair and/or replacement, make sure that the illustrated parts list is the one applying to the machine's year of manufacture, as shown on the identification plate attached to the machine.

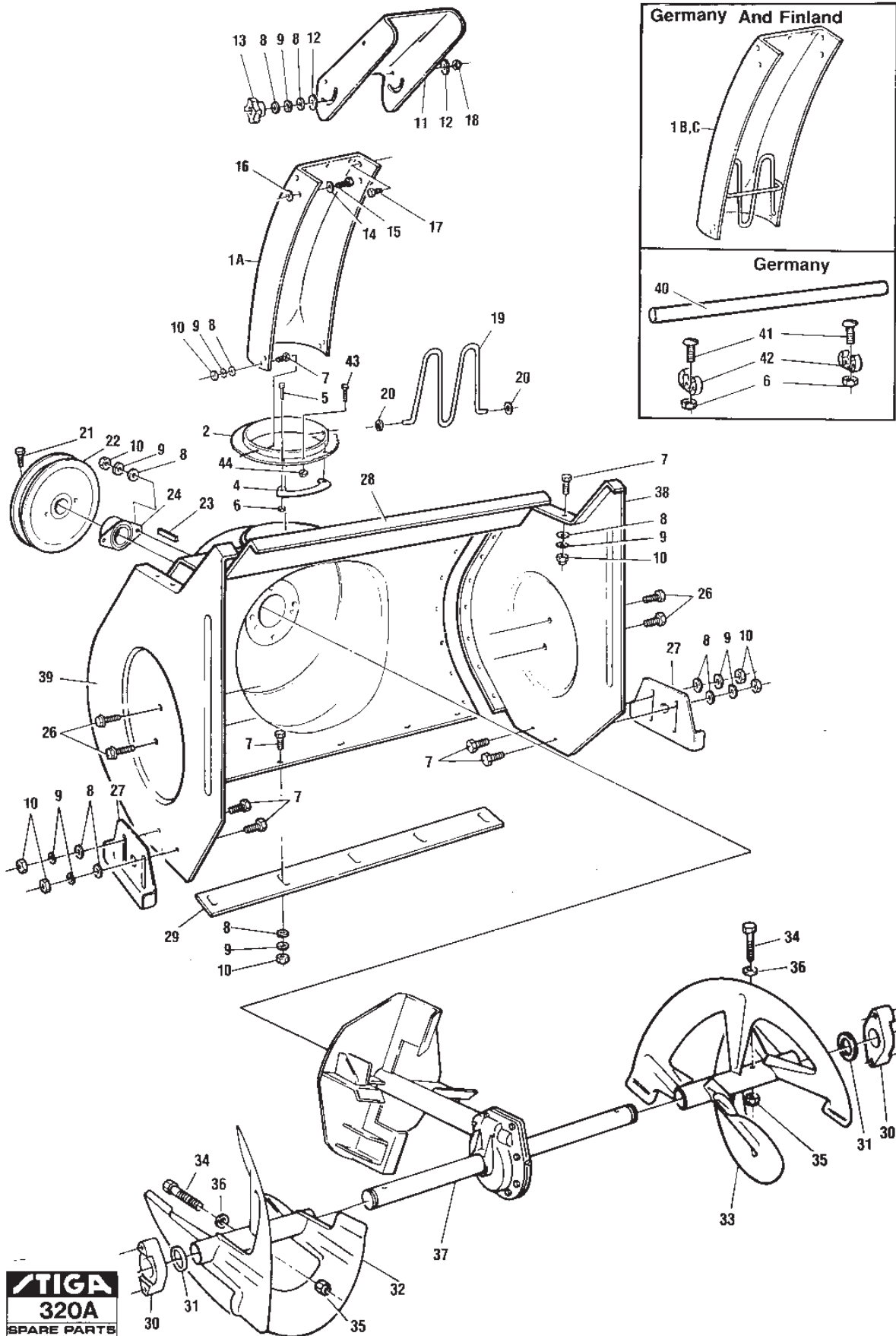
© Copyright 2014 Global Garden Products

All rights reserved. No part of this material may be reproduced or transmitted, in any form or by any means, electronic or mechanical, including photocopying, recording or by any information storage and retrieval system, without permission in writing from GLOBAL GARDEN PRODUCTS.

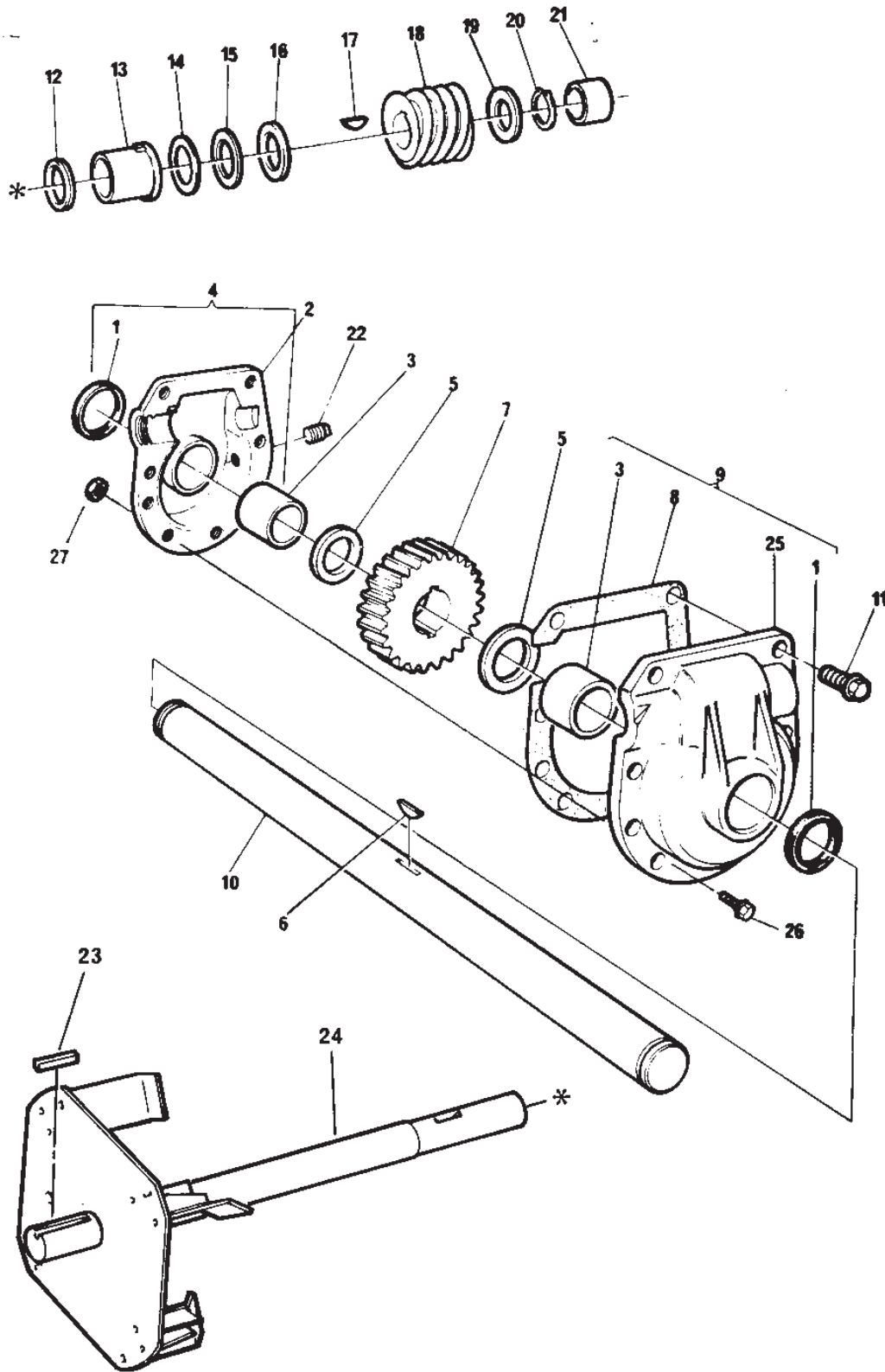
www.stiga.com



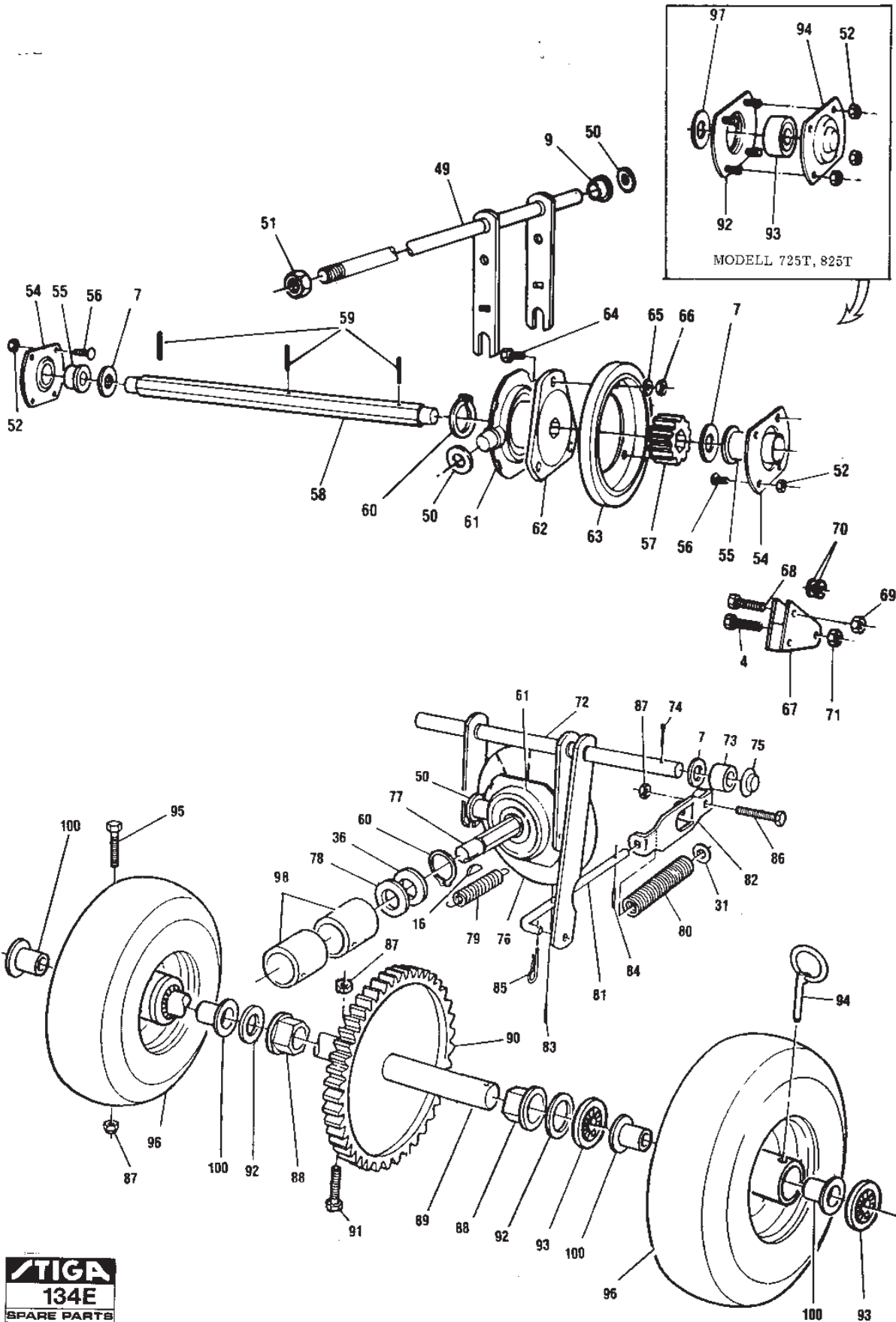
Utgåva Issue 32 - 2014		Remtransmission		Belt Transmission	
Pos. Fig.	Antal Q.ty	Art nr Part No	Benämning	Description	Anmärkning Notes
45	1	1812-0212-01	Fjäder	Spring	
40	1	1812-0283-01	Bricka	Washer	
43	2	1812-0305-01	Spännrulle	Tension Roller	
16	1	1812-0307-01	Kil	Key	
9	2	1812-0328-01	Bussning	Bushing	
24	1	1812-0329-01	Fjäder	Spring	
39	1	1812-0332-01	Motorremskiva	Engine Pulley	
34	1	1812-0350-01	Motorremskiva	Engine Pulley	
21	1	1812-0355-01	Hävarm	Lever	
22	1	1812-0356-01	Distans	Spacer	
46	1	1812-0357-01	Remskiva	Pulley	8"
36	1	1812-0361-01	Bricka	Washer	
29	1	1812-0382-01	Remstyrning	Belt Guide	523, 725T
30	1	1812-0383-01	Remstyrning	Belt Guide	523, 725T
12	2	1812-0384-01	Skruv	Screw	
14	4	1812-0384-01	Skruv	Screw	
13	4	1812-0385-01	Skruv	Screw	
8	1	1812-0401-01	Stift	Pin	
6	1	1812-0446-01	Hävarm	Lever	
10	1	1812-0447-01	Hävarm	Lever	
15	1	1812-0452-01	Bottenplåt	Bottom Panel	
2	1	1812-0562-01	Remskydd	Belt Guard	
44	1	1812-0638-01	Regleraxel	Control Shaft	
1	1	1812-0687-01	Chassi	Motor mount frame	
35	1	1812-0718-01	Kil	Key	
28	2	1812-0730-01	Distans	Spacer	
38	1	1812-1117-01	Distans	Spacer	
33	2	1812-1118-01	Skruv	Screw	
47	1	1812-9009-01	Kilrem	V-Belt	Hjuldrivning
48	1	1812-9012-01	Kilrem	V-Belt	Snöskruv 523
5	6	9683-0030-02	Bricka	Washer	
41	1	9683-0035-02	Bricka	Washer	
11	2	9699-0026-02	Bricka	Washer	
31	2	9699-0028-02	Bricka	Washer	
27	2	9699-0029-02	Bricka	Washer	
7	2	9699-0038-02	Bricka	Washer	
20	1	9699-0062-02	Bricka	Washer	
23	1	9743-3621-32	Mutter	Nut	
25	2	9743-3721-32	Mutter	Nut	
32	2	9987-5125-16	Skruv	Screw	
42	1	9987-5225-16	Skruv	Screw	
19	1	9988-3619-16	Skruv	Screw	
4A	2	9988-3632-12	Skruv	Screw	32 mm
4B	2	9988-3638-12	Skruv	Screw	38 mm
26	2	9988-3732-12	Skruv	Screw	



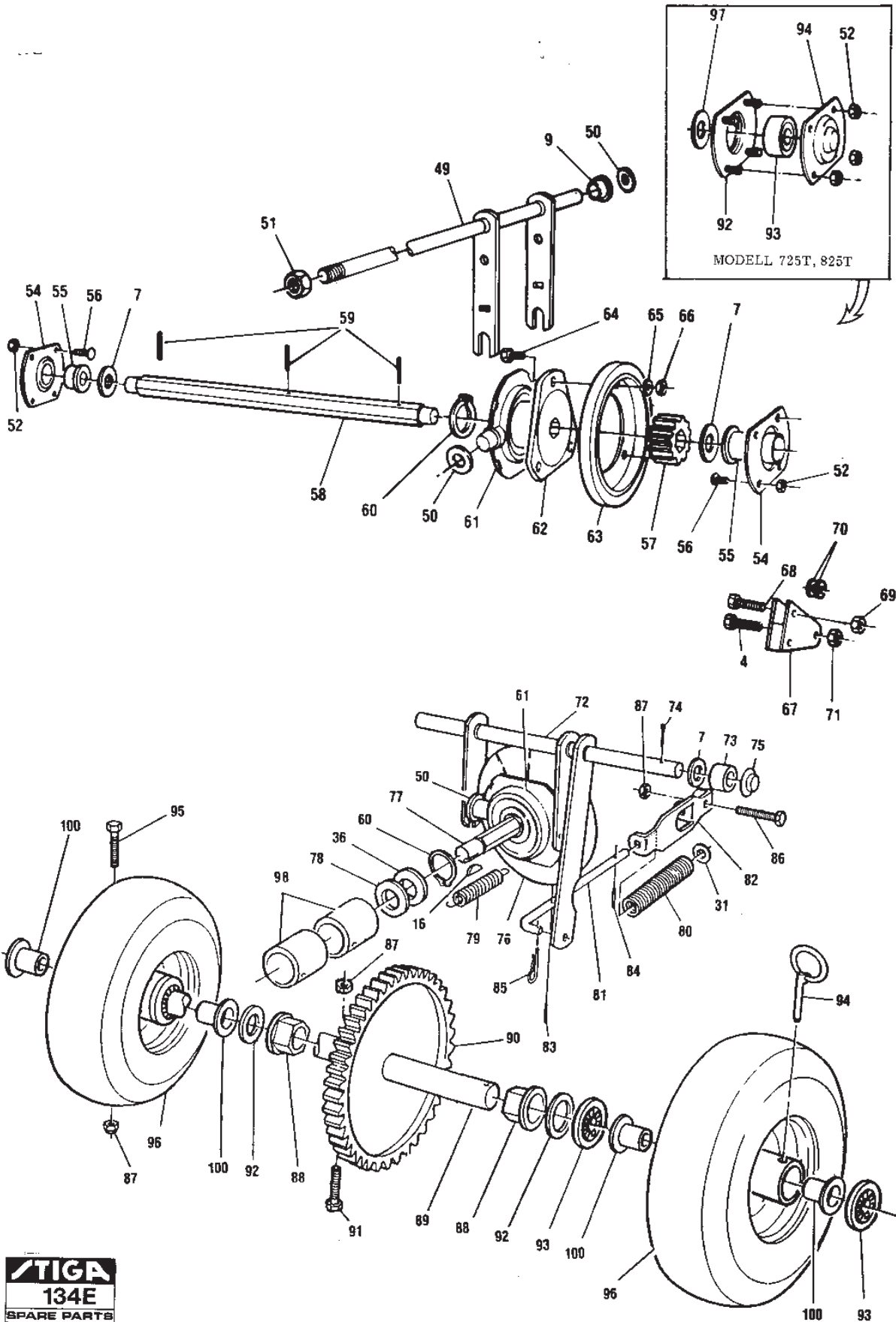
Utgåva Issue 32 - 2014		Slungenhet Auger Assy			
Pos. Fig.	Antal Q.ty	Art nr Part No	Benämning	Description	Anmärkning Notes
13	1	1811-0344-01	Låsrott	Wing Knob	
29	1	1812-0218-01	Skrapskär	Scraper Bar	
1C	1	1812-0230-01	Utkaströr	Chute Extension	Finland
19	1	1812-0231-01	Utkaströr	Chute Protection	
15	1	1812-0273-01	Skruv	Screw	
40	1	1812-0315-01	Clean out stick	Clean out stick	Tyskland
42	2	1812-0316-01	Klämme	Clamp	
30	2	1812-0347-01	Lager	Bearing	
22	1	1812-0348-01	Remskiva	Pulley	6.5"
26	4	1812-0387-01	Skruv	Screw	
5	6	1812-0388-01	Skruv	Screw	
6	6	1812-0389-01	Mutter	Nut	
31	2	1812-0397-01	Distans	Spacer	
1A	1	1812-0443-01	Utkaströr	Chute	
36	2	1812-0531-01	Distans	Spacer	
37	1	1812-0537-01	Gear box assy	Gear box assy	
23	1	1812-0626-01	Kil	Key	
4	3	1812-0632-01	Hållare	Retainer	
1B	1	1812-0633-01	Utkaströr (Tyskland)	Chute (Germany)	Tyskland
11	1	1812-0662-01	Utkaströr	Chute Deflector	
12	2	1812-0667-01	Plastbricka	Washer	
41	2	1812-0728-01	Bult	Bolt	
33	1	1812-0818-01	Snöskruv Vä	Auger L.H	
32	1	1812-0819-01	Snöskruv Hö	Auger R.H	
27	2	1812-0831-01	Släpsko	Height Adjustor	
28	1	1812-0866-01	Auger housing	Auger housing	
38	1	1812-0868-01	Sidoplåt Vä	Side Plate L.H	
39	1	1812-0869-01	Sidoplåt Hö	Side Plate R.H	
24	1	1812-0883-01	Lager	Bearing	
2	1	1812-1116-01	Fläns	Flange	
21	2	1812-1119-01	Bult	Bolt	
20	2	1812-1143-01	Låsring	Grip Ring	
34	1	1812-9005-01	Brytbultsats	Shear Bolt Kit	
9	31	9683-0030-02	Bricka	Washer	
8	31	9699-0028-02	Bricka	Washer	
16	1	9699-0029-02	Bricka	Washer	
14	1	9699-0069-02	Bricka	Washer	
44	1	9743-3521-32	Mutter	Nut	
18	3	9743-3621-32	Mutter	Nut	
10	30	9795-3631-02	Mutter	Nut	
7	28	9899-3622-16	Skruv	Screw	
43	1	9988-3525-16	Skruv	Screw	
17	3	9988-3619-16	Skruv	Screw	



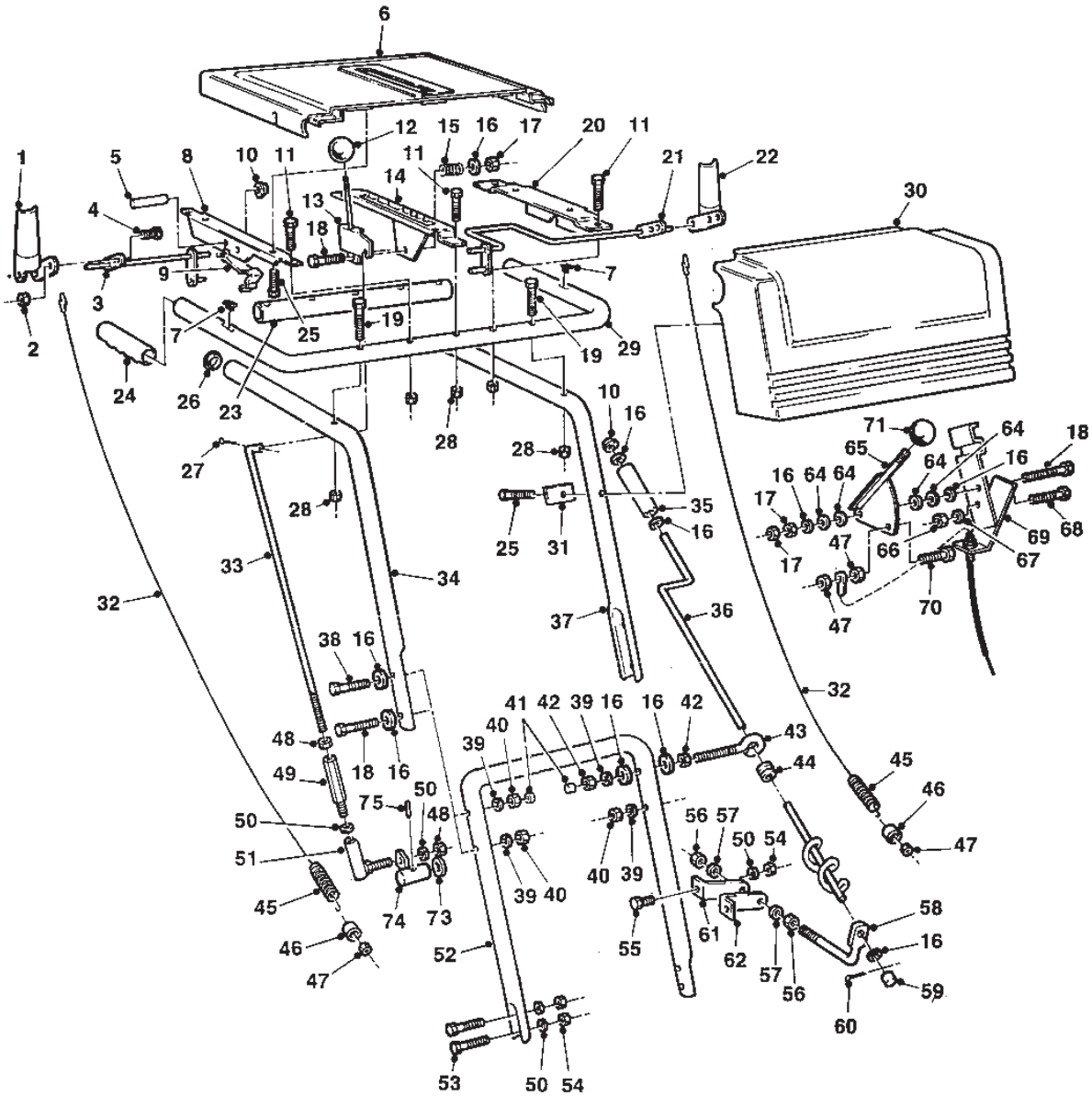
Utgåva Issue 32 - 2014		Snäckväxel Auger Gear Box			
Pos. Fig.	Antal Q.ty	Art nr Part No	Benämning	Description	Anmärkning Notes
8	1	1812-0226-01	Packning	Gasket	
2	1	1812-0227-01	Snäckväxelhus-vä	Gear case-LH Gear Housing, Left	
4	1	1812-0227-01	Snäckväxelhus-vä	Gear case-LH Gear Housing, Left	Inkl.pos 1,2,3
9	1	1812-0228-01	Snäckväxelhus-hö	Gear case-RH Gear Housing, Right	Inkl.pos 1,3,25
25	1	1812-0228-01	Snäckväxelhus-hö	Gear case-RH Gear Housing, Right	
19	1	1812-0284-01	Bricka	Washer	
20	1	1812-0286-01	Retainer ring	Retainer ring	
21	1	1812-0297-01	Lager	Bearing	
17	1	1812-0307-01	Kil	Key	
7	1	1812-0335-01	Drev	Worm Gear	
18	1	1812-0336-01	Snäckdrev	Gear	
16	1	1812-0337-01	Bricka	Washer	
15	1	1812-0338-01	Nållager	Needle Bearing	
14	1	1812-0339-01	Bricka	Washer	
12	1	1812-0341-01	Tätningring	Ring	
3	2	1812-0343-01	Lager	Bearing	
1	2	1812-0344-01	Tätningring	Ring	
5	2	1812-0345-01	Bricka	Washer	
22	1	1812-0346-01	OljePlugg	Oil Plug	
6	1	1812-0409-01	Woodruffkil	Woodruff Key	
24	1	1812-0439-01	Fläktaxel	Impeller Shaft	
10	1	1812-0536-01	Axel	Shaft	
0	1	1812-0537-01	Gear box assy	Gear box assy	
23	1	1812-0626-01	Kil	Key	
13	1	1812-0925-01	Lager	Bearing Impeller Shaft	
27	8	9743-5121-02	Mutter	Nut	
26	7	9987-5125-16	Skruv	Screw	
11	1	9987-5145-12	Skruv	Screw	



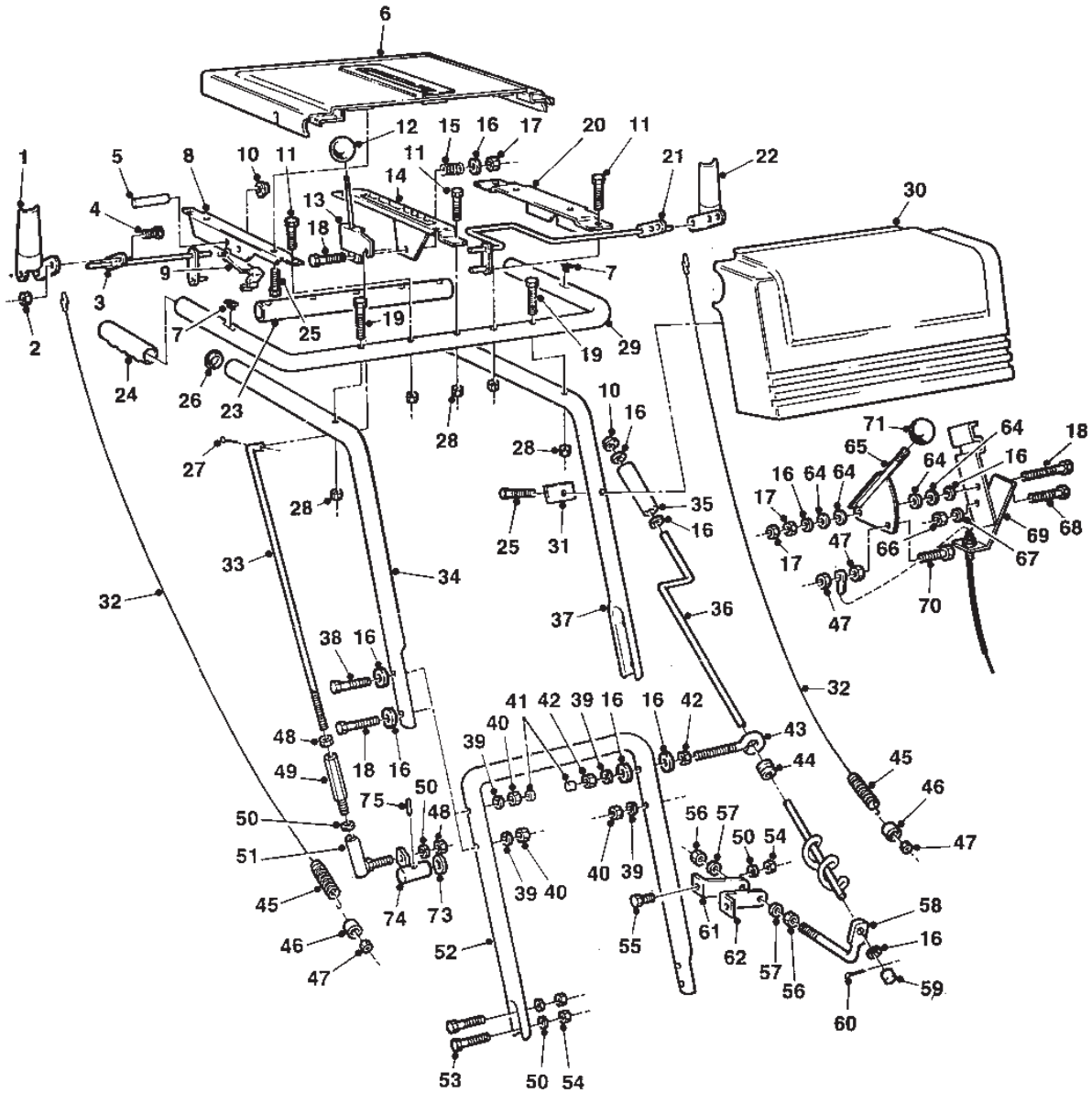
Utgåva Issue 32 - 2014		Framdrivning Drive Train			
Pos. Fig.	Antal Q.ty	Art nr Part No	Benämning	Description	Anmärkning Notes
52	8	1811-0421-01	Mutter	Nut	
67	1	1812-0247-01	Fäste	Bracket	
16	1	1812-0307-01	Kil	Key	
70	2	1812-0317-01	Distans	Spacer	
9	1	1812-0328-01	Bussning	Bushing	
36	1	1812-0361-01	Bricka	Washer	
76	1	1812-0362-01	Drivskiva	Pulley	
73	2	1812-0363-01	Bussning	Bushing	
79	1	1812-0364-01	Fjäder	Spring	
82	1	1812-0365-01	Fäste	Bracket	
80	1	1812-0366-01	Distans	Spacer	
81	1	1812-0367-01	Stång	Rod	
55	2	1812-0368-01	Lager M.Hållare	Bearing And Retainer	
62	1	1812-0370-01	Nav	Hub	
58	1	1812-0371-01	Axel	Shaft	
57	1	1812-0372-01	Drev	Worm Gear	
88	2	1812-0373-01	Lager	Bearing	
59	3	1812-0391-01	Stift	Pin	
56	8	1812-0395-01	Skruv	Screw	
60	2	1812-0402-01	Låsring	Retaining Ring	
75	2	1812-0404-01	Låsning	Retainer	
84	1	1812-0405-01	Stift	Pin	
83	1	1812-0406-01	Stift	Pin	
92	2	1812-0407-01	Bricka	Washer	
94	1	1812-0408-01	Låssprint	Click Pin	
49	1	1812-0448-01	Shifter fork	Shifter fork	
72	1	1812-0449-01	Kopplingsgaffel	Clutch fork	
61	2	1812-0450-01	Bärlager	Bearing	
54	2	1812-0451-01	Bearing housing	Bearing housing	
93	2	1812-0567-01	Låsning I Bricka	Retainer ring I Washer	
89	1	1812-0588-01	Axel	Shaft	
90	1	1812-0620-01	Drev	Worm Gear	
96A	1	1812-0634-01	Snow chains	Snow chains	Ej ill/not ill.
77	1	1812-0686-01	Axel	Traction Hex Shaft	
78	1	1812-0709-01	Tryckbricka	Bearing Thrust	
98	2	1812-0710-01	Nållager	Bearing Needle	
96	2	1812-1072-01	Hjul	Wheel	4.10 x 3.50-6
100	4	1812-1073-01	Bussning	Bushing	
63	1	1812-9002-01	Friktionshjul	Friction Disc	
85	1	9599-0054-02	SaxSprint	Split Pin	
74	2	9599-0073-02	Saxsprint	Split Pin	
65	3	9683-0025-02	Bricka	Washer	
31	1	9699-0028-02	Bricka	Washer	
7	4	9699-0038-02	Bricka	Washer	
50	3	9699-0115-02	Bricka	Washer	
87	3	9743-3521-32	Mutter	Nut	
69	1	9743-3521-32	Mutter	Nut	
71	1	9743-3621-32	Mutter	Nut	
51	1	9743-3721-32	Mutter	Nut	



Utgåva Issue 32 - 2014		Framdrivning Drive Train			
Pos. Fig.	Antal Q.ty	Art nr Part No	Benämning	Description	Anmärkning Notes
66	3	9795-3531-02	Mutter	Nut	
64	3	9988-3516-16	Skruv	Screw	
86	1	9988-3532-12	Skruv	Screw	
95	1	9988-3538-12	Skruv	Screw	
68	1	9988-3545-12	Skruv	Screw	
91	1	9988-3557-12	Skruv	Screw	
4	1	9988-3632-12	Skruv	Screw	

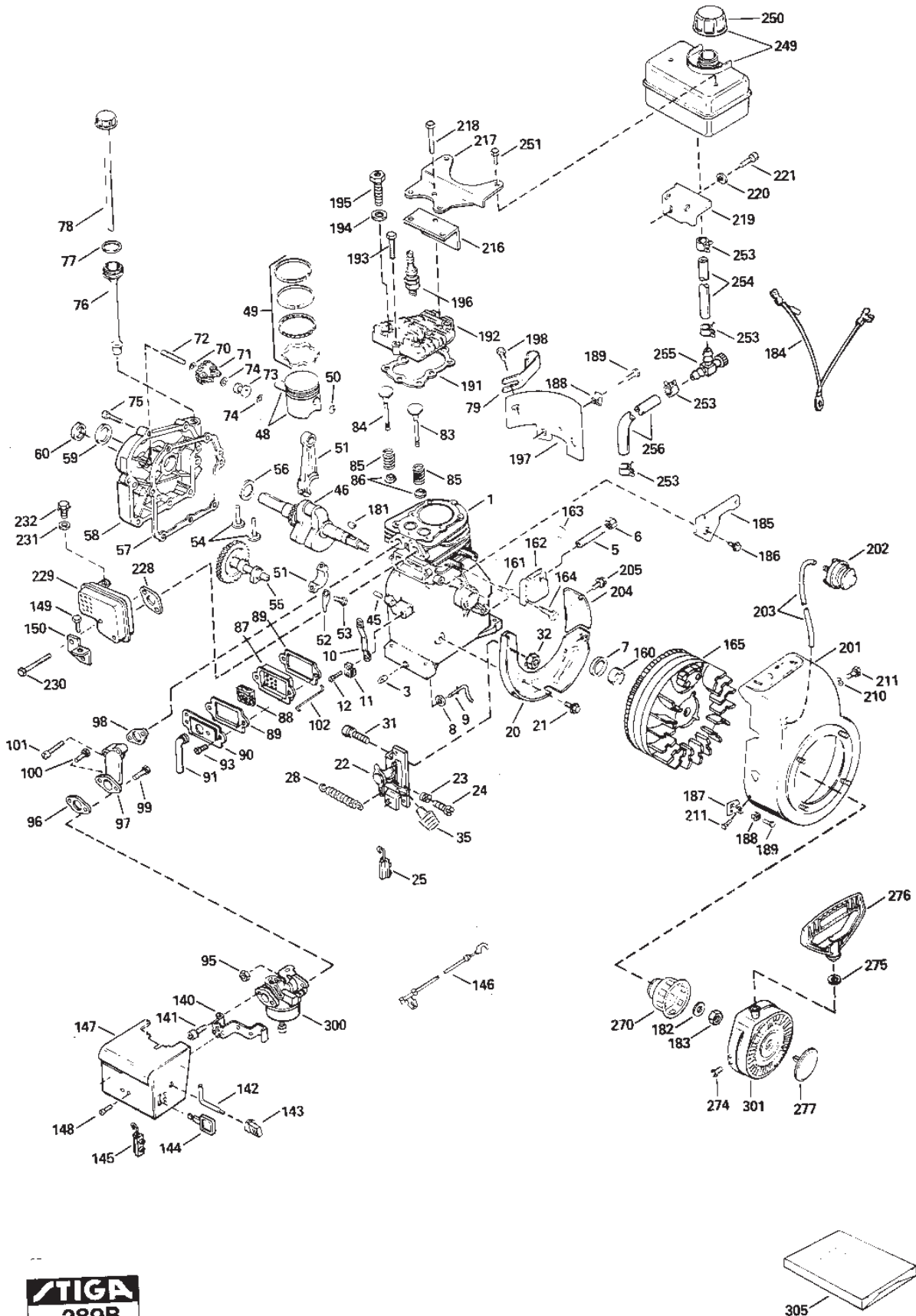


Utgåva Issue 32 - 2014		Styre Reglage		Handle Controls	
Pos. Fig.	Antal Q.ty	Art nr Part No	Benämning	Description	Anmärkning Notes
44	1	1812-0203-01	Bussning	Bushing	
32	2	1812-0249-01	Reglagewire (817 Mm)	Wire (817 Mm)	
45	2	1812-0253-01	Fjäder	Spring	
51	1	1812-0303-01	Kulled	Ball Joint	
15	1	1812-0304-01	Fjäder	Spring	
43	1	1812-0394-01	Öglebult	Eyebolt	
75	1	1812-0401-01	Stift	Pin	
7	2	1812-0520-01	Skydd	Protection	
52	1	1812-0553-01	Däck-underdel Styre-underdel	Handle Lower Part	
74	1	1812-0563-01	Reglagestång	Control Rod	
36	1	1812-0569-01	Inställningsvev	Chute Crank	
49	1	1812-0622-01	Skruvhylsa	Adaptor	
59	1	1812-0646-01	Plastknopp	Plastic cap	
10	3	1812-0649-01	Låsknopp	Cap Retainer	
33	1	1812-0666-01	Växelstång	Rod Speed Control	
25	6	1812-0670-01	Bult	Bolt	
62	1	1812-0673-01	Fäststag Vä	Bracket Chute Rotate L.H	
61	1	1812-0674-01	Fäststag Hö	Bracket Chute Rotate R.H	
58	1	1812-0675-01	Stag	Rod Chute Control	
37	1	1812-0689-01	Styrrör-vä	Upper Handle L.H	
34	1	1812-0690-01	Styrrör Hö	Upper Handle R.H	
26	2	1812-0692-01	PlastPlugg	Plastic End Plug	
14	1	1812-0693-01	Panelstöd	Control Panel Support	
13	1	1812-0701-01	Växelspak	Handle Speed Control	
30	1	1812-0704-01	Panel-främre	Control Panel Front	
31	2	1812-0705-01	Fjäderbleck	Spring Clip	
12	1	1812-0706-01	Reglagekula	Knob	
4	2	1812-0821-01	Skruv	Carriage Bolt	
5	1	1812-0823-01	Stift	Pin	
46	2	1812-0824-01	Distans	Spacer	
41	2	1812-0830-01	Plastknopp	Plastic Stop	
35	1	1812-0832-01	Handtag	Crank Handle	
9	1	1812-0834-01	Låsfjäder	Cam Lock Spring	
22	1	1812-0888-01	Kopplingshandtag Vä	Hand Control L.H.	
1	1	1812-0889-01	Kopplingshandtag Hö	Hand Control R.H	
29	1	1812-0890-01	Styrbygel	Upper Handle Loop	
23	1	1812-0891-01	Tvärrör	Cross Bar	
20	1	1812-0892-01	Fäste	Bracket	
21	1	1812-0893-01	Spärrstång Vä	Bail Rod L.H	
3	1	1812-0894-01	Spärrstång Hö	Bail Rod R.H	
8	1	1812-0895-01	Fäste	Bracket	
24	2	1812-0955-01	Handtag	Handle Grip	
6	1	1812-0975-01	Panel-övre	Control panel-top	
27	1	9599-0054-02	SaxSprint	Split Pin	
60	1	9599-0054-02	SaxSprint	Split Pin	
50	8	9683-0030-02	Bricka	Washer	
39	4	9683-0035-02	Bricka	Washer	
57	2	9683-0055-02	Bricka	Washer	
16	8	9699-0029-02	Bricka	Washer	



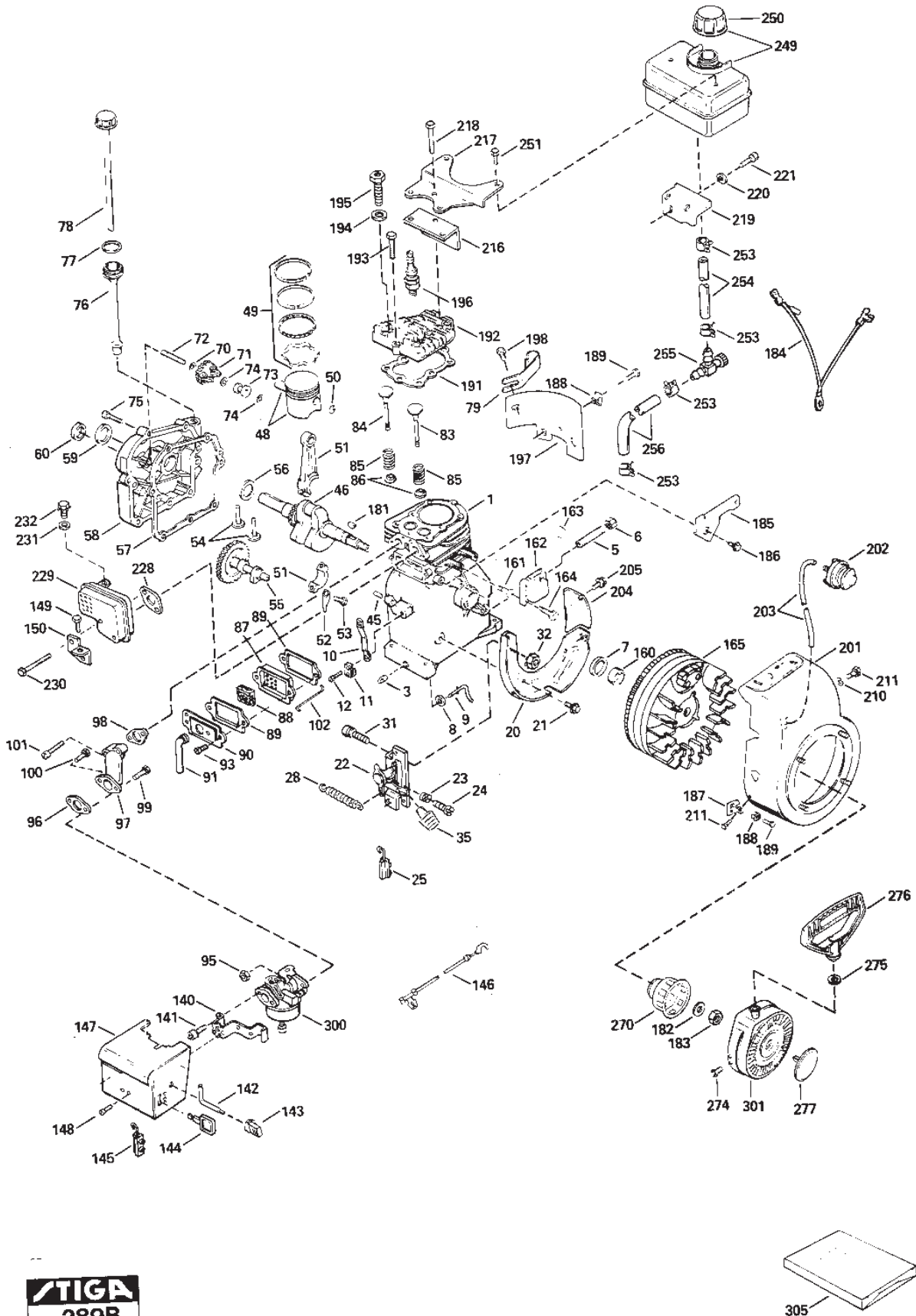
Utgåva Issue 32 - 2014		Styre Reglage		Handle Controls	
Pos. Fig.	Antal Q.ty	Art nr Part No	Benämning	Description	Anmärkning Notes
73	1	9699-0115-02	Bricka	Washer	
47	2	9743-3521-32	Mutter	Nut	
2	2	9743-3521-32	Mutter	Nut	
28	10	9743-3621-32	Mutter	Nut	
17	1	9743-3721-32	Mutter	Nut	
42	2	9743-3721-32	Mutter	Nut	
56	2	9743-5421-32	Mutter	Nut	
48	2	9794-5131-02	Mutter	Nut	
54	6	9795-3631-02	Mutter	Nut	
40	3	9795-3731-02	Mutter	Nut	
55	2	9899-3622-16	Skruv	Screw	
53	4	9988-3619-16	Skruv	Screw	
11	6	9988-3645-16	Skruv	Screw	
19	4	9988-3670-12	Skruv	Screw	
18	3	9988-3745-12	Skruv	Screw	
38	1	9988-3764-12	Skruv	Screw	

Utgåva Issue 32 - 2014		Tecumseh Hs40 Hs50		Tecumseh Hs40 Hs50	
Pos. Fig.	Antal Q.ty	Art nr Part No	Benämning	Description	Anmärkning Notes
99	1	6201	Skruv	Screw	
99	1	6201	Skruv	Screw	
231	1	8345	Bricka	Washer	
50	2	20381	Retaining ring	Retaining ring	
253	4	26460	Clamp	Clamp	
45	2	26727	Styrpinne	Dowel pin	
96	1	26756	Packning	Gasket	
54	2	27241	Valve lifter	Valve lifter	
3	1	27642	Oil drain plug	Oil drain plug	
87	1	27666	Valve cover body	Valve cover body	
59	1	27897	Oil seal	Oil seal	
8	1	28277	Bricka	Flat washer	
188	1	28545	Isoleringshylsa	Grommet	HS50-67340M
188	2	28545	Isoleringshylsa	Grommet	
141	2	28820	Skruv	Screw	
74	2	29193	Retaining ring	Retaining ring	
211	2	29212	Skruv	Screw	
197	1	29745	Extension	Extension	
95	2	29752	Mutter	Nut	
254	1	29774	Fuel line	Fuel line	
232	1	30063	Skruv	Screw	
93	2	30200	Skruv	Screw	HS40-55574M
186	1	30200	Skruv	Screw	
60	1	30318	Seal	Seal	
32	1	30322	Mutter	Nut	
72	1	30574	Governor shaft	Governor shaft	
71	1	30591	Governor gear	Governor gear	Inkl.pos. 70
256	1	30705	Fuel line	Fuel line	
5	1	30968	Rör	Pipe	
6	1	30969	Cap	Cap	
9	1	31334	Governor rod	Governor rod	
11	1	31335	Clamp	Clamp	
23	1	31342	Fjäder	Spring	
88	1	31410	Filterelement	Element	
28	1	31426	Fjäder	Spring	
10	1	31510	Governor lever	Governor lever	
85	2	31672	Valve spring	Valve spring	
86	2	31673	Valve cap	Valve cap	
56	1	32323	Bricka	Washer	
7	1	32600	Oil seal	Oil seal	
52	1	32654	Oil dipper	Oil dipper	
102	1	32698	Länk	Link	
97	1	32859	Intake pipe	Intake pipe	HS40-55574M
51	1	32875	Connecting rod assy	Connecting rod assy	Inkl.pos. 52-53
255	1	32961	Shut-off valve	Shut-off valve	
55	1	33158	Kamaxel	Camshaft	HS50-67340M
150	1	33333	Fäste	Bracket	
204	1	33341	Extension	Extension	
20	1	33342	Baffle	Baffle	



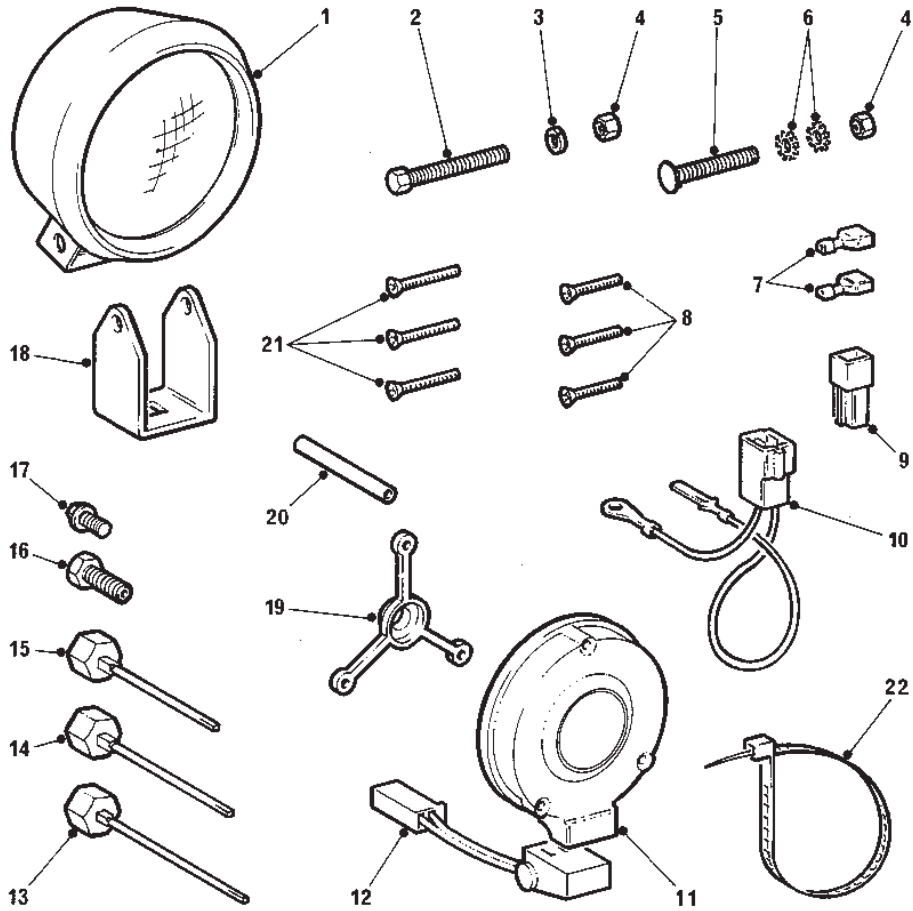
Utgåva Issue 32 - 2014		Tecumseh Hs40 Hs50		Tecumseh Hs40 Hs50	
Pos. Fig.	Antal Q.ty	Art nr Part No	Benämning	Description	Anmärkning Notes
216	1	33344	Värmskydd	Heat baffle	
49	1	33567	Ring set	Ring set	HS50-67340M
97	1	33691	Intake pipe	Intake pipe	HS50-67340M
55	1	33696	Kamaxel	Camshaft	
160	1	34080	Distans	Spacer	
187	1	34126	Fäste	Bracket	
90	1	34146	Cover	Cover	
219	1	34182	Fäste	Bracket	
185	1	34212	Fäste	Bracket	
142	1	34582	Choke rod	Choke rod	
140	1	34583	Choke bracket	Choke bracket	
58	1	34678	Cylinderkåpa	Cylinder Cover assy	Inkl.pos 59-60,72
270	1	34694	Starter cup	Starter cup	
46	1	34740	Crankshaft	Crankshaft	HS50-67340M
46	1	34846	Crankshaft	Crankshaft	HS40-55574M
144	1	35062	Tändningsnyckel	Ignition Key	
147	1	35072	Cover	Cover	
146	1	35285	Ground wire	Ground wire	
91	1	35350	Rör	Tube	
250	1	35355	Tank cap	Tank cap	
277	1	35392	Plugg	Plug	
143	1	35438	Reglageknopp	Knob	
35	1	35440	Knopp	Knob	
70	1	35479	Bricka	Washer	
77	1	35499	O-ring	O-ring	
79	1	35539	Clip	Clip	
48	1	35541	Kolvspind	Piston Pin	Inkl.pos. 50 _/ HS40-55574M
49	1	35547	Ring set	Ring set	HS40-55574M
76	1	35554	Oljepåfyllningsrör	Oil fill tube	
78	1	35556	Oil dipstick	Oil dipstick	
184	1	35557	Ground wire	Ground wire	
249	1	35584	Tank assy	Tank assy	Inkl.pos. 250,253
201	1	35656	Blower housing	Blower housing	
229	1	35771	Ljuddämpare	Muffler	Inkl.pos. 228 _/ HS50-67340M
255	1	35857	Shut-off valve	Shut-off valve	HS50-67340M
204	1	35883	Extension	Extension	HS50-67340M
217	1	36247	Tank bracket	Tank bracket	HS50-67340M
192	1	36441	Topplöck	Cylinder Head	Inkl.pos. 218 _/ HS50-67340M
191	1	36443	Packning	Gasket	HS50-67340M _/ Kit: S
305	1	36444	Packningssats	Gasket set	HS50-67340M
202	1	570682	Primer	Primer	
276	1	590574	Styrplåt kpl	Starter handle	
301	1	590646	Starter assy	Starter assy	
163	1	610118	Spark plug cover	Spark plug cover	
181	1	610961	Kil	Key	
25	1	610973	Terminal	Terminal	
145	1	610973	Terminal	Terminal	

Utgåva Issue 32 - 2014		Tecumseh Hs40 Hs50		Tecumseh Hs40 Hs50	
Pos. Fig.	Antal Q.ty	Art nr Part No	Benämning	Description	Anmärkning Notes
165	1	611081	Flywheel	Flywheel	
93	2	650128	Skruv	Screw	HS40-55574M
198	1	650128	Skruv	Screw	HS50-67340M
93	2	650128	Skruv	Screw	
198	2	650128	Skruv	Screw	
31	1	650139	Skruv	Screw	
210	1	650168	Bricka	Washer	
275	1	650168	Bricka	Washer	
148	2	650257	Skruv	Screw	
230	2	650327	Skruv	Screw	
75	7	650488	Skruv	Screw	
12	1	650548	Skruv	Screw	
24	1	650549	Skruv	Screw	
21	2	650561	Skruv	Screw	
101	2	650664	Skruv	Screw	
251	2	650665	Skruv	Screw	
220	1	650675	Bricka	Washer	
194	1	650691	Bricka	Washer	HS50-67340M
194	6	650691	Bricka	Washer	
205	1	650701	Skruv	Screw	
149	1	650735	Skruv	Screw	
189	1	650760	Skruv	Screw	HS50-67340M
189	2	650760	Skruv	Screw	
221	1	650805	Skruv	Screw	
164	2	650814	Skruv	Screw	
182	1	650815	Bricka	Washer	
195	1	650818	Skruv	Screw	HS50-67340M
195	6	650818	Skruv	Screw	
183	1	650863	Mutter	Nut	
100	1	650870	Skruv	Screw	
161	2	650872	Pinnbult	Mounting stud	
274	2	650884	Skruv	Screw	
205	1	650926	Skruv	Screw	HS50-67340M
274	2	650926	Skruv	Screw	HS50-67340M
196	1	1111-9028-02	Tändstift (J19Lm)	Spark Plug (J19Lm)	Champion J19LM
228	1	26754A	Packning	Gasket	HS40-55574M _/ Kit: S
89	2	27234A	Packning	Gasket	
57	1	27677A	Packning	Gasket	
217	1	28371B	Tank plate	Tank plate	
83	1	29313C	Exhaust valve	Exhaust valve	Inkl.pos. 86
73	1	30588A	Spool	Spool	
70	1	30590A	Bricka	Flat washer	HS50-67340M
203	1	32180C	Primerslang	Primer line	
53	2	32610A	Skruv	Screw	
84	1	32644A	Insugningsventil	Intake valve	Inkl.pos. 86
229	1	32648A	Ljuddämpare	Muffler	HS40-55574M
98	1	32649A	Packning	Gasket	HS40-55574M _/ Kit: S
1	1	33014C	Cylinder kpl	Cylinder Assy	Inkl.pos. 3,7,45 _/ HS40-55574M

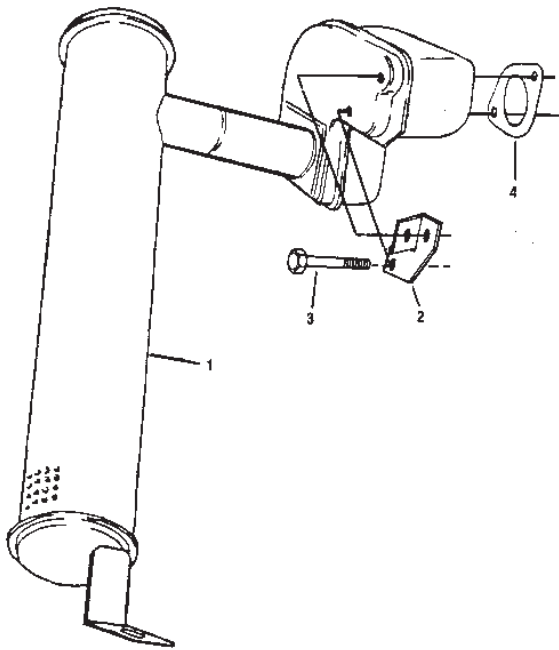


Utgåva Issue 32 - 2014		Tecumseh Hs40 Hs50		Tecumseh Hs40 Hs50	
Pos. Fig.	Antal Q.ty	Art nr Part No	Benämning	Description	Anmärkning Notes
191	1	33015A	Packning	Gasket	HS40-55574M _/ Kit: S
192	1	33016A	Topplöck	Cylinder Head	Inkl.pos 218
305	1	33240B	Packningssats	Gasket set	HS40-55574M
191	1	33554A	Packning	Gasket	HS5067270J _/ Kit: S
48	1	33562B	Kolv kpl	Piston Assy	Inkl.pos. 50 _/ HS50-67340M
228	1	33670A	Packning	Gasket	HS50-67340M _/ Kit: S
98	1	33673A	Packning	Gasket	HS50-67340M _/ Kit: S
1	1	33674B	Cylinder kpl	Cylinder Assy	Inkl.pos. 3,7,45 _/ HS50-67340M
305	1	33683B	Packningssats	Gasket set	HS5067270J
229	1	33697A	Ljuddämpare	Muffler	HS5067270J
22	1	33858A	Bracket control assy	Bracket control assy	Inkl.pos. 23-25,31-32
162	1	34443A	Solid state ignition	Solid state ignition	
58	1	34674C	Cylinderkåpa	Cylinder Cover assy	Inkl.pos. 59,70-73 _/ HS50-67340M
193	2	6021A	Skruv	Screw	HS50-67340M
193	1	6021A	Skruv	Screw	
300	1	632107A	Förgasare kpl	Carburettor Assy	HS50-67340M
300	1	632113A	Förgasare kpl	Carburettor Assy	HS40-55574M
218	5	650694A	Skruv	Screw	HS50-67340M
218	1	650694A	Skruv	Screw	
196	1	9400-0225-00	Tändstift (J19Lm)	Spark Plug (J19Lm)	Champion J19LM

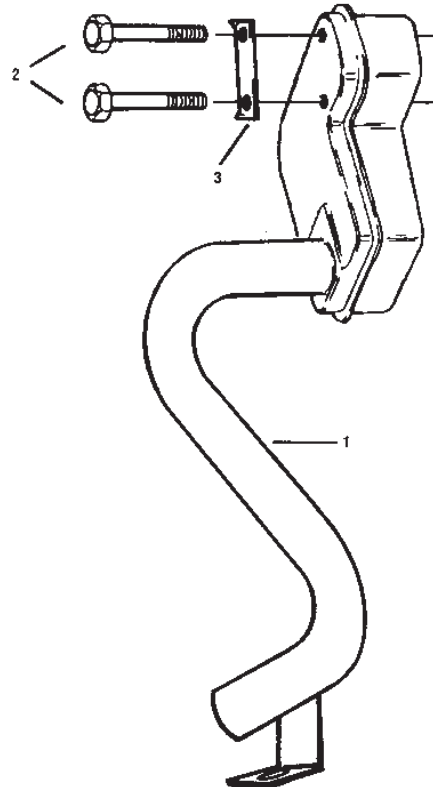
18-1913-13



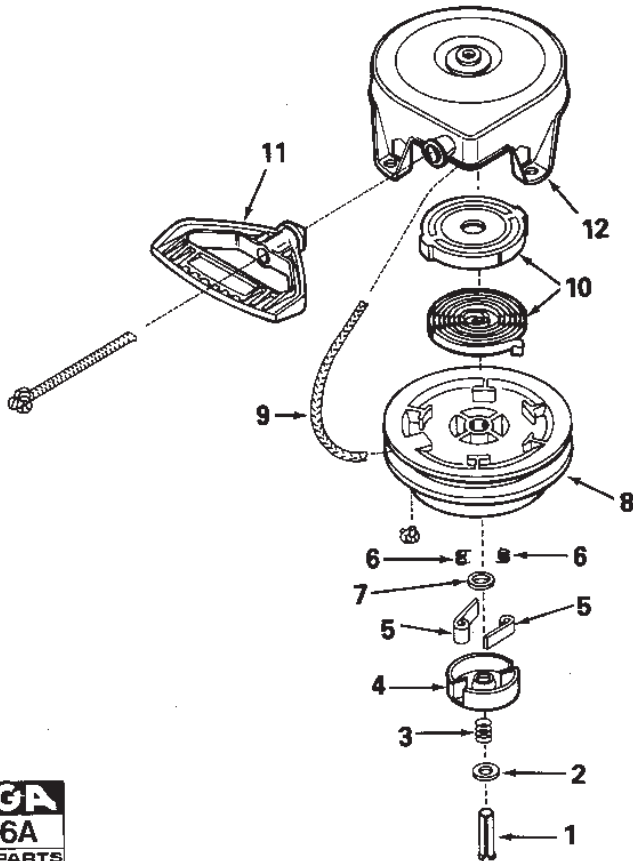
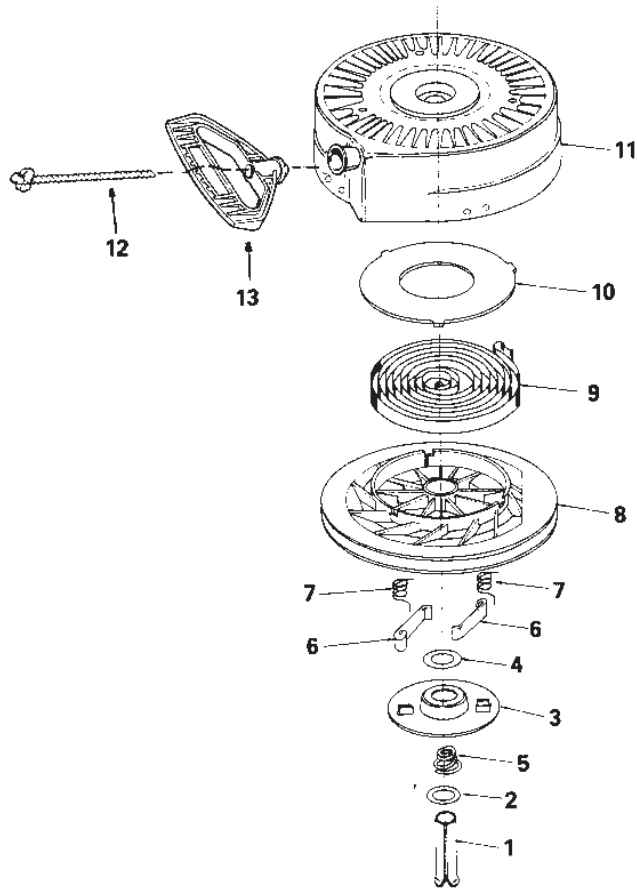
MOD. 523 FINLAND



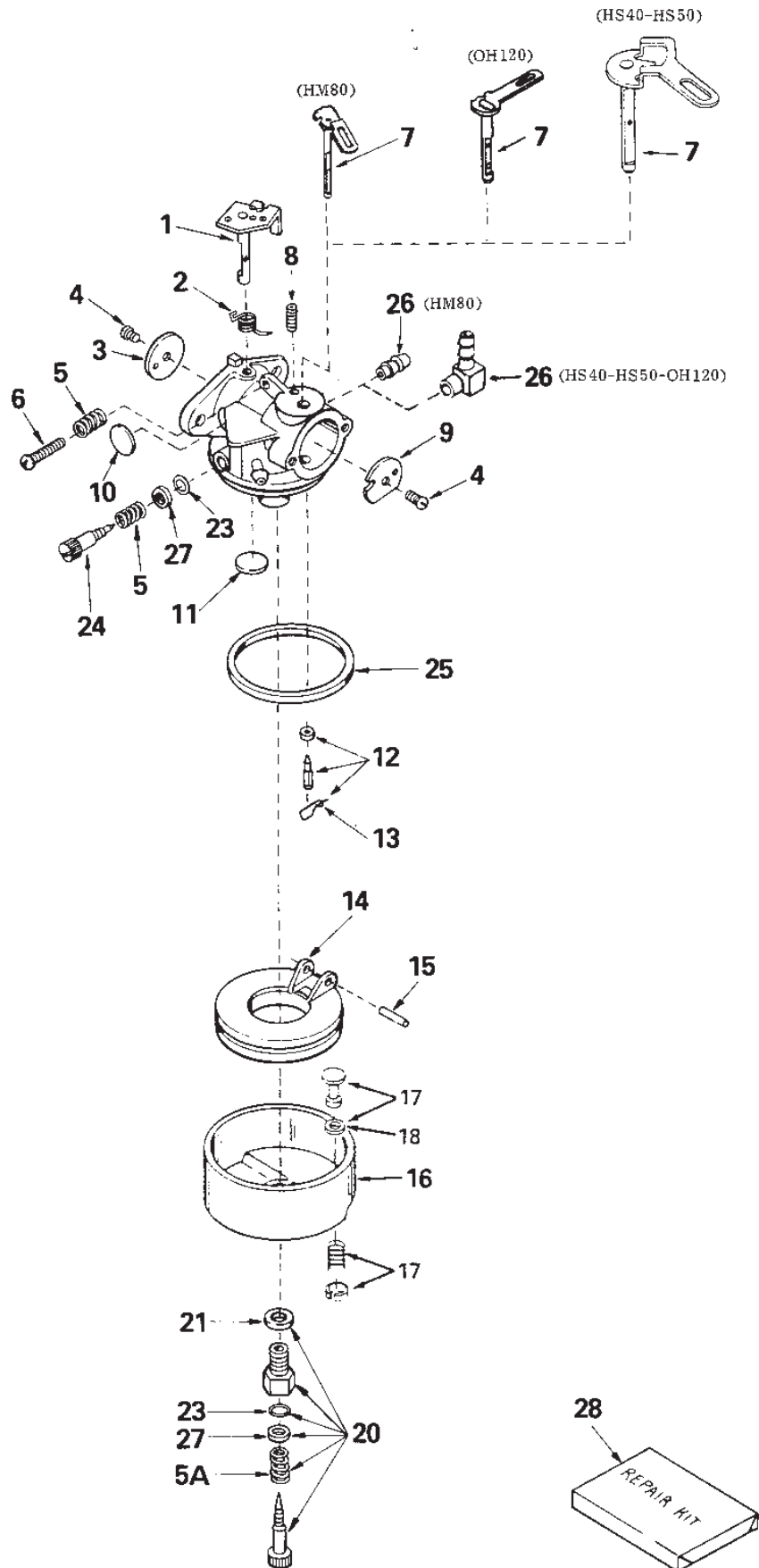
MOD. 725T FINLAND



Utgåva Issue 32 - 2014		Ljuddämpare (Finland)		Light Kit Muffler (Finland)	
Pos. Fig.	Antal Q.ty	Art nr Part No	Benämning	Description	Anmärkning Notes
6	2	9677-0009-02			
0	1	18-1913-13	Belysningsatts kpl	Light kit	
A1	1	1812-0234-01	Ljuddämpare	Muffler	523 (Finland) _/ 1813FIN
1	1	1812-0579-01	Strålkastare	Head Lamp	
7	2	1812-0652-01	Flatstiftshylsa	Amp. Terminal Female	
18	1	1812-0659-01	Lampfäste	Light Bracket	
9	1	1812-0722-01	Isoleringshylsa	Insulator	
16	1	1812-0723-01	Bult	Bolt	
	1	1812-0816-01	Värmebox	Heater Box	
B4	1	1812-0816-01	Värmebox	Heater Box	Ej ill/not ill._/ 1814FIN
A4	1	1812-0825-01	Packning	Gasket	1813FIN
B1	1	1812-0826-01	Ljuddämpare	Muffler	725T (Finland)_/ 1814FIN
B2	2	1812-0827-01	Bult	Bolt	1814FIN
B3	1	1812-0828-01	Låsbleck	Lockplate	1814FIN
A3	2	1812-0835-01	Bult	Bolt	1813FIN
A2	1	1812-0836-01	Fäste	Bracket	1813FIN
17	1	1812-0944-01	Skruv	Screw	
11	1	1812-0960-01	Generator	Generator	
10	1	1812-0962-01	Kabelhärva	Light Harness	
5	1	1812-0963-01	Vagnsbult	Carriage Bolt	
12	1	1812-0964-01	Belysningskabel	Lighting Coil	
8	3	1812-0965-01	Skruv	Screw	
15	1	1812-0966-01	Generatoraxel (76 Mm)	Alternator Shaft	76 mm
13	1	1812-0967-01	Generatoraxel (102 Mm)	Alternator Shaft	102 mm
20	1	1812-0968-01	Centreringsrör	Centering Tube	
14	1	1812-0969-01	Generatoraxel (90 Mm)	Alternator Shaft	90 mm
21	3	1812-0970-01	Skruv	Screw	
19	1	1812-0971-01	Distans	Spacer	
22	2	9579-0008-00	Buntband	Cable Holder	
3	1	9683-0030-02	Bricka	Washer	
4	2	9795-3631-02	Mutter	Nut	
2	1	9988-3651-12	Skruv	Screw	



Utgåva Issue 32 - 2014		Tecumseh Hs40-Hs50-Hm80-Oh120 Start Kpl		Tecumseh Hs40-Hs50-Hm80-Oh120 Starter Assy	
Pos. Fig.	Antal Q.ty	Art nr Part No	Benämning	Description	Anmärkning Notes
A11	1	590574	Styrplåt kpl	Starter handle	HM800H120
13	1	590574	Styrplåt kpl	Starter handle	
A3	1	590598	Fjäder	Spring	HM800H120
5	1	590598	Fjäder	Spring	
A2	1	590600	Bricka	Washer	HM800H120
2	1	590600	Bricka	Washer	
A7	1	590601	Bricka	Washer	HM800H120
4	1	590601	Bricka	Washer	
3	1	590615	Hållare	Retainer	
6	2	590616	Starter dog	Starter dog	
A06	2	590617	Fjäder	Spring	HM800H120
7	2	590617	Fjäder	Spring	
9	1	590619	Returfjäder	Rewind spring	
10	1	590620	Cover	Cover	
A4	1	590627	Hållare	Retainer	HM800H120
A8	1	590628	Pulley	Pulley	HM800H120
A10	1	590629	Fjäder	Spring	HM800H120
A00	1	590630	Starter assy	Starter assy	HM800H120
A12	1	590631	Starthus	Starter housing	HM800H120
A05	2	590641	Startklo	Dog	HM800H120
8	1	590645	Pulley	Pulley	
0	1	590646	Starter assy	Starter assy	
11	1	590647	Starthus	Starter housing	
12	1	1111-1580-01	Startsnöre	Starter Rope	
A9	1	1111-1580-02	Startsnöre (Från 5 Hk) S	Starter Rope >5Hp	HM800H120
A1	1	590599A	Stift	Pin	HM800H120
1	1	590599A	Stift	Pin	Inkl.pos 4



Utgåva Issue 32 - 2014		Tecumseh Hs40-Hs50-Hm80-Oh120 Förgasare Kpl Tecumseh Hs40-Hs50-Hm80-Oh120 Carburettor Assy			
Pos. Fig.	Antal Q.ty	Art nr Part No	Benämning	Description	Anmärkning Notes
21	1	27110	Packning	Gasket	
18	1	27554	Packning	Gasket	
20	1	31839	Skruv	Screw	Inkl. 5A,21,23,27 _/ HS50_/ HS40 _/ Kit: S
28	1	31840	Use MAS-031840 Reparationssats	Use MAS-031840 Repair Kit	HS50_/ HS40
8	1	630735	Fjäder	Spring	
5A	1	630738	Fjäder	Spring	
27	2	630739	Bricka	Washer	
23	2	630740	O-ring	O-ring	
10	1	630748	Welch plug	Welch plug	
5	2	630766	Fjäder	Spring	
12	1	631021	Nålventil kpl	Inlet needle assy	Inkl. pos 13
13	1	631022	Fjäder	Spring clip	
15	1	631024	Flottöraxel	Float shaft	
11	1	631027	Welch plug	Welch plug	
25	1	631028	O-ring	O-ring	
3	1	631036	Gasspjäll	Throttle Shutter	HS50_/ HS40
1	1	631615	Spjällsaxeln	Throttle Shaft	HS50_/ HS40
2	1	631767	Fjäder	Spring	HS50_/ HS40
1	1	631776	Spjällsaxeln	Throttle Shaft	HM80
3	1	631778	Gasspjäll	Throttle Shutter	HM80
26	1	631807	Nippel	Fuel fitting	HS50_/ HS40
9	1	631815	Choke shutter	Choke shutter	HS50_/ HS40
24	1	631838	Skruv	Screw	HS50_/ HS40 _/ Kit: S
16	1	631951	Flottörhus kpl	Float bowl assy	Inkl. pos 17,18
2	1	631970	Fjäder	Spring	HM80 _/ OH120
14	1	632019	Flottör	Float	
7	1	632108	Choke shaft	Choke shaft	HS50_/ HS40
7	1	632112	Choke shaft	Choke shaft	HM80
26	1	632164	Nippel	Fuel fitting	HM80
9	1	632174	Choke shutter	Choke shutter	HM80
20	1	632239	Skruv	Screw	Inkl. 5A,21,23,27 _/ HM80 _/ OH120
24	1	632281	Förgasare kpl	Carburettor Assy	HM80 _/ OH120 _/ Kit: S
28	1	632347	Reparationssats	Repair Kit	HM80 _/ OH120
1	1	632512	Spjällsaxeln	Throttle Shaft	OH120
7	1	632513	Choke shaft	Choke shaft	OH120
9	1	632514	Choke shutter	Choke shutter	OH120
3	1	632517	Gasspjäll	Throttle Shutter	OH120
26	1	632527	Nippel	Fuel fitting	OH120
6	1	650417	Skruv	Screw	
4	2	650506	Skruv	Screw	
17	1	27136A	Bowl drain	Bowl drain	Inkl. pos 18
0	1	632107A	Förgasare kpl	Carburettor Assy	HS50
0	1	632113A	Förgasare kpl	Carburettor Assy	HS40
0	1	632334A	Förgasare kpl	Carburettor Assy	HM80
0	1	632511A	Förgasare kpl	Carburettor Assy	OH120

code	pos.	q.ty	page									
18-1913-13	0	1	p. 25	1812-0373-01	88	2	p. 9	1812-0693-01	14	1	p. 13	
1111-1580-01	12	1	p. 27	1812-0382-01	29	1	p. 3	1812-0701-01	13	1	p. 13	
1111-1580-02	A9	1	p. 27	1812-0383-01	30	1	p. 3	1812-0704-01	30	1	p. 13	
1111-9028-02	196	1	p. 21	1812-0384-01	12	2	p. 3	1812-0705-01	31	2	p. 13	
1811-0344-01	13	1	p. 5	1812-0384-01	14	4	p. 3	1812-0706-01	12	1	p. 13	
1811-0421-01	52	8	p. 9	1812-0385-01	13	4	p. 3	1812-0709-01	78	1	p. 9	
1812-0203-01	44	1	p. 13	1812-0387-01	26	4	p. 5	1812-0710-01	98	2	p. 9	
1812-0212-01	45	1	p. 3	1812-0388-01	5	6	p. 5	1812-0718-01	35	1	p. 3	
1812-0218-01	29	1	p. 5	1812-0389-01	6	6	p. 5	1812-0722-01	9	1	p. 25	
1812-0226-01	8	1	p. 7	1812-0391-01	59	3	p. 9	1812-0723-01	16	1	p. 25	
1812-0227-01	2	1	p. 7	1812-0394-01	43	1	p. 13	1812-0728-01	41	2	p. 5	
1812-0227-01	4	1	p. 7	1812-0395-01	56	8	p. 9	1812-0730-01	28	2	p. 3	
1812-0228-01	9	1	p. 7	1812-0397-01	31	2	p. 5	1812-0816-01		1	p. 25	
1812-0228-01	25	1	p. 7	1812-0401-01	8	1	p. 3	1812-0816-01	B4	1	p. 25	
1812-0230-01	1C	1	p. 5	1812-0401-01	75	1	p. 13	1812-0818-01	33	1	p. 5	
1812-0231-01	19	1	p. 5	1812-0402-01	60	2	p. 9	1812-0819-01	32	1	p. 5	
1812-0234-01	A1	1	p. 25	1812-0404-01	75	2	p. 9	1812-0821-01	4	2	p. 13	
1812-0247-01	67	1	p. 9	1812-0405-01	84	1	p. 9	1812-0823-01	5	1	p. 13	
1812-0249-01	32	2	p. 13	1812-0406-01	83	1	p. 9	1812-0824-01	46	2	p. 13	
1812-0253-01	45	2	p. 13	1812-0407-01	92	2	p. 9	1812-0825-01	A4	1	p. 25	
1812-0273-01	15	1	p. 5	1812-0408-01	94	1	p. 9	1812-0826-01	B1	1	p. 25	
1812-0283-01	40	1	p. 3	1812-0409-01	6	1	p. 7	1812-0827-01	B2	2	p. 25	
1812-0284-01	19	1	p. 7	1812-0439-01	24	1	p. 7	1812-0828-01	B3	1	p. 25	
1812-0286-01	20	1	p. 7	1812-0443-01	1A	1	p. 5	1812-0830-01	41	2	p. 13	
1812-0297-01	21	1	p. 7	1812-0446-01	6	1	p. 3	1812-0831-01	27	2	p. 5	
1812-0303-01	51	1	p. 13	1812-0447-01	10	1	p. 3	1812-0832-01	35	1	p. 13	
1812-0304-01	15	1	p. 13	1812-0448-01	49	1	p. 9	1812-0834-01	9	1	p. 13	
1812-0305-01	43	2	p. 3	1812-0449-01	72	1	p. 9	1812-0835-01	A3	2	p. 25	
1812-0307-01	16	1	p. 3	1812-0450-01	61	2	p. 9	1812-0836-01	A2	1	p. 25	
1812-0307-01	16	1	p. 9	1812-0451-01	54	2	p. 9	1812-0866-01	28	1	p. 5	
1812-0307-01	17	1	p. 7	1812-0452-01	15	1	p. 3	1812-0868-01	38	1	p. 5	
1812-0315-01	40	1	p. 5	1812-0520-01	7	2	p. 13	1812-0869-01	39	1	p. 5	
1812-0316-01	42	2	p. 5	1812-0531-01	36	2	p. 5	1812-0883-01	24	1	p. 5	
1812-0317-01	70	2	p. 9	1812-0536-01	10	1	p. 7	1812-0888-01	22	1	p. 13	
1812-0328-01	9	1	p. 9	1812-0537-01	0	1	p. 7	1812-0889-01	1	1	p. 13	
1812-0328-01	9	2	p. 3	1812-0537-01	37	1	p. 5	1812-0890-01	29	1	p. 13	
1812-0329-01	24	1	p. 3	1812-0553-01	52	1	p. 13	1812-0891-01	23	1	p. 13	
1812-0332-01	39	1	p. 3	1812-0562-01	2	1	p. 3	1812-0892-01	20	1	p. 13	
1812-0335-01	7	1	p. 7	1812-0563-01	74	1	p. 13	1812-0893-01	21	1	p. 13	
1812-0336-01	18	1	p. 7	1812-0567-01	93	2	p. 9	1812-0894-01	3	1	p. 13	
1812-0337-01	16	1	p. 7	1812-0569-01	36	1	p. 13	1812-0895-01	8	1	p. 13	
1812-0338-01	15	1	p. 7	1812-0579-01	1	1	p. 25	1812-0925-01	13	1	p. 7	
1812-0339-01	14	1	p. 7	1812-0588-01	89	1	p. 9	1812-0944-01	17	1	p. 25	
1812-0341-01	12	1	p. 7	1812-0620-01	90	1	p. 9	1812-0955-01	24	2	p. 13	
1812-0343-01	3	2	p. 7	1812-0622-01	49	1	p. 13	1812-0960-01	11	1	p. 25	
1812-0344-01	1	2	p. 7	1812-0626-01	23	1	p. 5	1812-0962-01	10	1	p. 25	
1812-0345-01	5	2	p. 7	1812-0626-01	23	1	p. 7	1812-0963-01	5	1	p. 25	
1812-0346-01	22	1	p. 7	1812-0632-01	4	3	p. 5	1812-0964-01	12	1	p. 25	
1812-0347-01	30	2	p. 5	1812-0633-01	1B	1	p. 5	1812-0965-01	8	3	p. 25	
1812-0348-01	22	1	p. 5	1812-0634-01	96A	1	p. 9	1812-0966-01	15	1	p. 25	
1812-0350-01	34	1	p. 3	1812-0638-01	44	1	p. 3	1812-0967-01	13	1	p. 25	
1812-0355-01	21	1	p. 3	1812-0646-01	59	1	p. 13	1812-0968-01	20	1	p. 25	
1812-0356-01	22	1	p. 3	1812-0649-01	10	3	p. 13	1812-0969-01	14	1	p. 25	
1812-0357-01	46	1	p. 3	1812-0652-01	7	2	p. 25	1812-0970-01	21	3	p. 25	
1812-0361-01	36	1	p. 3	1812-0659-01	18	1	p. 25	1812-0971-01	19	1	p. 25	
1812-0361-01	36	1	p. 9	1812-0662-01	11	1	p. 5	1812-0975-01	6	1	p. 13	
1812-0362-01	76	1	p. 9	1812-0666-01	33	1	p. 13	1812-1072-01	96	2	p. 9	
1812-0363-01	73	2	p. 9	1812-0667-01	12	2	p. 5	1812-1073-01	100	4	p. 9	
1812-0364-01	79	1	p. 9	1812-0670-01	25	6	p. 13	1812-1116-01	2	1	p. 5	
1812-0365-01	82	1	p. 9	1812-0673-01	62	1	p. 13	1812-1117-01	38	1	p. 3	
1812-0366-01	80	1	p. 9	1812-0674-01	61	1	p. 13	1812-1118-01	33	2	p. 3	
1812-0367-01	81	1	p. 9	1812-0675-01	58	1	p. 13	1812-1119-01	21	2	p. 5	
1812-0368-01	55	2	p. 9	1812-0686-01	77	1	p. 9	1812-1143-01	20	2	p. 5	
1812-0370-01	62	1	p. 9	1812-0687-01	1	1	p. 3	1812-9002-01	63	1	p. 9	
1812-0371-01	58	1	p. 9	1812-0689-01	37	1	p. 13	1812-9005-01	34	1	p. 5	
1812-0372-01	57	1	p. 9	1812-0690-01	34	1	p. 13	1812-9009-01	47	1	p. 3	
				1812-0692-01	26	2	p. 13	1812-9012-01	48	1	p. 3	

code	pos.	q.ty	page									
6021A	193	1	p. 23	9988-3619-16	17	3	p. 5	32698	102	1	p. 17	
6021A	193	2	p. 23	9988-3619-16	19	1	p. 3	32859	97	1	p. 17	
6201	99	1	p. 17	9988-3619-16	53	4	p. 15	32875	51	1	p. 17	
6201	99	1	p. 17	9988-3632-12	4	1	p. 11	32961	255	1	p. 17	
8345	231	1	p. 17	9988-3632-12	4A	2	p. 3	33014C	1	1	p. 21	
9400-0225-00	196	1	p. 23	9988-3638-12	4B	2	p. 3	33015A	191	1	p. 23	
9579-0008-00	22	2	p. 25	9988-3645-16	11	6	p. 15	33016A	192	1	p. 23	
9599-0054-02	27	1	p. 13	9988-3651-12	2	1	p. 25	33158	55	1	p. 17	
9599-0054-02	60	1	p. 13	9988-3670-12	19	4	p. 15	33240B	305	1	p. 23	
9599-0054-02	85	1	p. 9	9988-3732-12	26	2	p. 3	33333	150	1	p. 17	
9599-0073-02	74	2	p. 9	9988-3745-12	18	3	p. 15	33341	204	1	p. 17	
9677-0009-02	6	2	p. 25	9988-3764-12	38	1	p. 15	33342	20	1	p. 17	
9683-0025-02	65	3	p. 9	20381	50	2	p. 17	33344	216	1	p. 19	
9683-0030-02	3	1	p. 25	26460	253	4	p. 17	33554A	191	1	p. 23	
9683-0030-02	5	6	p. 3	26727	45	2	p. 17	33562B	48	1	p. 23	
9683-0030-02	9	31	p. 5	26754A	228	1	p. 21	33567	49	1	p. 19	
9683-0030-02	50	8	p. 13	26756	96	1	p. 17	33670A	228	1	p. 23	
9683-0035-02	39	4	p. 13	27110	21	1	p. 29	33673A	98	1	p. 23	
9683-0035-02	41	1	p. 3	27136A	17	1	p. 29	33674B	1	1	p. 23	
9683-0055-02	57	2	p. 13	27234A	89	2	p. 21	33683B	305	1	p. 23	
9699-0026-02	11	2	p. 3	27241	54	2	p. 17	33691	97	1	p. 19	
9699-0028-02	8	31	p. 5	27554	18	1	p. 29	33696	55	1	p. 19	
9699-0028-02	31	1	p. 9	27642	3	1	p. 17	33697A	229	1	p. 23	
9699-0028-02	31	2	p. 3	27666	87	1	p. 17	33858A	22	1	p. 23	
9699-0029-02	16	1	p. 5	27677A	57	1	p. 21	34080	160	1	p. 19	
9699-0029-02	16	8	p. 13	27897	59	1	p. 17	34126	187	1	p. 19	
9699-0029-02	27	2	p. 3	28277	8	1	p. 17	34146	90	1	p. 19	
9699-0038-02	7	2	p. 3	28371B	217	1	p. 21	34182	219	1	p. 19	
9699-0038-02	7	4	p. 9	28545	188	1	p. 17	34212	185	1	p. 19	
9699-0062-02	20	1	p. 3	28545	188	2	p. 17	34443A	162	1	p. 23	
9699-0069-02	14	1	p. 5	28820	141	2	p. 17	34582	142	1	p. 19	
9699-0115-02	50	3	p. 9	29193	74	2	p. 17	34583	140	1	p. 19	
9699-0115-02	73	1	p. 15	29212	211	2	p. 17	34674C	58	1	p. 23	
9743-3521-32	2	2	p. 15	29313C	83	1	p. 21	34678	58	1	p. 19	
9743-3521-32	44	1	p. 5	29745	197	1	p. 17	34694	270	1	p. 19	
9743-3521-32	47	2	p. 15	29752	95	2	p. 17	34740	46	1	p. 19	
9743-3521-32	69	1	p. 9	29774	254	1	p. 17	34846	46	1	p. 19	
9743-3521-32	87	3	p. 9	30063	232	1	p. 17	35062	144	1	p. 19	
9743-3621-32	18	3	p. 5	30200	93	2	p. 17	35072	147	1	p. 19	
9743-3621-32	23	1	p. 3	30200	186	1	p. 17	35285	146	1	p. 19	
9743-3621-32	28	10	p. 15	30318	60	1	p. 17	35350	91	1	p. 19	
9743-3621-32	71	1	p. 9	30322	32	1	p. 17	35355	250	1	p. 19	
9743-3721-32	17	1	p. 15	30574	72	1	p. 17	35392	277	1	p. 19	
9743-3721-32	25	2	p. 3	30588A	73	1	p. 21	35438	143	1	p. 19	
9743-3721-32	42	2	p. 15	30590A	70	1	p. 21	35440	35	1	p. 19	
9743-3721-32	51	1	p. 9	30591	71	1	p. 17	35479	70	1	p. 19	
9743-5121-02	27	8	p. 7	30705	256	1	p. 17	35499	77	1	p. 19	
9743-5421-32	56	2	p. 15	30968	5	1	p. 17	35539	79	1	p. 19	
9794-5131-02	48	2	p. 15	30969	6	1	p. 17	35541	48	1	p. 19	
9795-3531-02	66	3	p. 11	31334	9	1	p. 17	35547	49	1	p. 19	
9795-3631-02	4	2	p. 25	31335	11	1	p. 17	35554	76	1	p. 19	
9795-3631-02	10	30	p. 5	31342	23	1	p. 17	35556	78	1	p. 19	
9795-3631-02	54	6	p. 15	31410	88	1	p. 17	35557	184	1	p. 19	
9899-3622-16	7	28	p. 5	31426	28	1	p. 17	35584	249	1	p. 19	
9899-3622-16	55	2	p. 15	31510	10	1	p. 17	35656	201	1	p. 19	
9987-5125-16	26	7	p. 7	31672	85	2	p. 17	35771	229	1	p. 19	
9987-5125-16	32	2	p. 3	31673	86	2	p. 17	35857	255	1	p. 19	
9987-5145-12	11	1	p. 7	31839	20	1	p. 29	35883	204	1	p. 19	
9987-5225-16	42	1	p. 3	31840	28	1	p. 29	36247	217	1	p. 19	
9988-3516-16	64	3	p. 11	32180C	203	1	p. 21	36441	192	1	p. 19	
9988-3525-16	43	1	p. 5	32323	56	1	p. 17	36443	191	1	p. 19	
9988-3532-12	86	1	p. 11	32600	7	1	p. 17	36444	305	1	p. 19	
9988-3538-12	95	1	p. 11	32610A	53	2	p. 21	570682	202	1	p. 19	
9988-3545-12	68	1	p. 11	32644A	84	1	p. 21	590574	13	1	p. 27	
9988-3557-12	91	1	p. 11	32648A	229	1	p. 21	590574	276	1	p. 19	
				32649A	98	1	p. 21	590574	A11	1	p. 27	
				32654	52	1	p. 17	590598	5	1	p. 27	

code	pos.	q.ty	page				
590598	A3	1	p. 27	632517	3	1	p. 29
590599A	1	1	p. 27	632527	26	1	p. 29
590599A	A1	1	p. 27	650128	93	2	p. 21
590600	2	1	p. 27	650128	93	2	p. 21
590600	A2	1	p. 27	650128	198	1	p. 21
590601	4	1	p. 27	650128	198	2	p. 21
590601	A7	1	p. 27	650139	31	1	p. 21
590615	3	1	p. 27	650168	210	1	p. 21
590616	6	2	p. 27	650168	275	1	p. 21
590617	7	2	p. 27	650257	148	2	p. 21
590617	A06	2	p. 27	650327	230	2	p. 21
590619	9	1	p. 27	650417	6	1	p. 29
590620	10	1	p. 27	650488	75	7	p. 21
590627	A4	1	p. 27	650506	4	2	p. 29
590628	A8	1	p. 27	650548	12	1	p. 21
590629	A10	1	p. 27	650549	24	1	p. 21
590630	A00	1	p. 27	650561	21	2	p. 21
590631	A12	1	p. 27	650664	101	2	p. 21
590641	A05	2	p. 27	650665	251	2	p. 21
590645	8	1	p. 27	650675	220	1	p. 21
590646	0	1	p. 27	650691	194	1	p. 21
590646	301	1	p. 19	650691	194	6	p. 21
590647	11	1	p. 27	650694A	218	1	p. 23
610118	163	1	p. 19	650694A	218	5	p. 23
610961	181	1	p. 19	650701	205	1	p. 21
610973	25	1	p. 19	650735	149	1	p. 21
610973	145	1	p. 19	650760	189	1	p. 21
611081	165	1	p. 21	650760	189	2	p. 21
630735	8	1	p. 29	650805	221	1	p. 21
630738	5A	1	p. 29	650814	164	2	p. 21
630739	27	2	p. 29	650815	182	1	p. 21
630740	23	2	p. 29	650818	195	1	p. 21
630748	10	1	p. 29	650818	195	6	p. 21
630766	5	2	p. 29	650863	183	1	p. 21
631021	12	1	p. 29	650870	100	1	p. 21
631022	13	1	p. 29	650872	161	2	p. 21
631024	15	1	p. 29	650884	274	2	p. 21
631027	11	1	p. 29	650926	205	1	p. 21
631028	25	1	p. 29	650926	274	2	p. 21
631036	3	1	p. 29				
631615	1	1	p. 29				
631767	2	1	p. 29				
631776	1	1	p. 29				
631778	3	1	p. 29				
631807	26	1	p. 29				
631815	9	1	p. 29				
631838	24	1	p. 29				
631951	16	1	p. 29				
631970	2	1	p. 29				
632019	14	1	p. 29				
632107A	0	1	p. 29				
632107A	300	1	p. 23				
632108	7	1	p. 29				
632112	7	1	p. 29				
632113A	0	1	p. 29				
632113A	300	1	p. 23				
632164	26	1	p. 29				
632174	9	1	p. 29				
632239	20	1	p. 29				
632281	24	1	p. 29				
632334A	0	1	p. 29				
632347	28	1	p. 29				
632511A	0	1	p. 29				
632512	1	1	p. 29				
632513	7	1	p. 29				
632514	9	1	p. 29				