



Reservdelskatalog Parts Catalogue

ST420T (S, N)

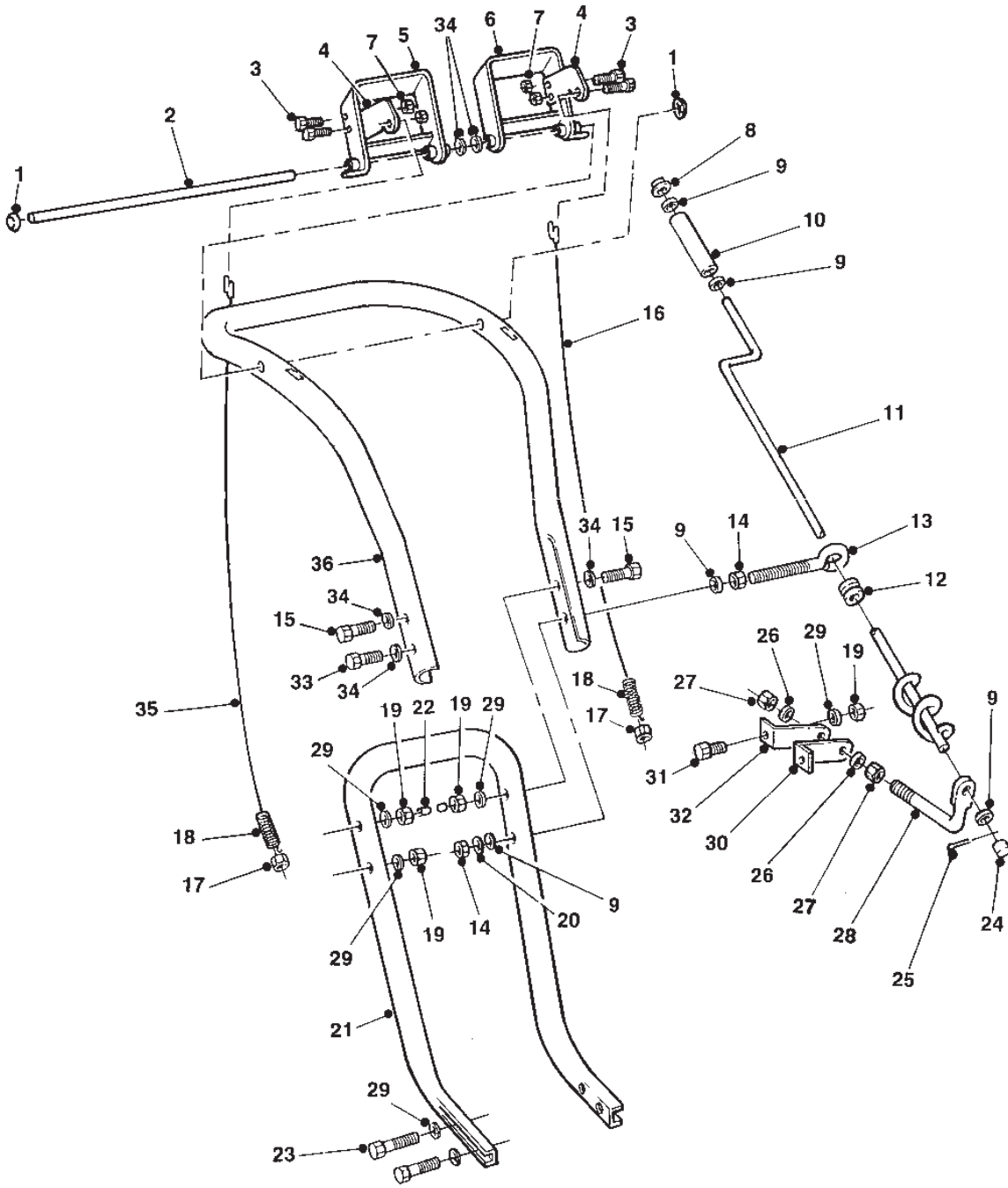
18-1812-14 - Season 1989

- Use GLOBAL GARDEN PRODUCT Genuine Spare Parts specified in the parts list for repair and/or replacement.
 - The contents described in the parts list may change due to improvement.
 - The drawings of the spare parts are only indicative and might not represent the part in question exactly.
 - The indications "right" - "left" - "front" - "rear" refer to the position of the operator when using the machine.
- When placing orders of parts for repair and/or replacement, make sure that the illustrated parts list is the one applying to the machine's year of manufacture, as shown on the identification plate attached to the machine.

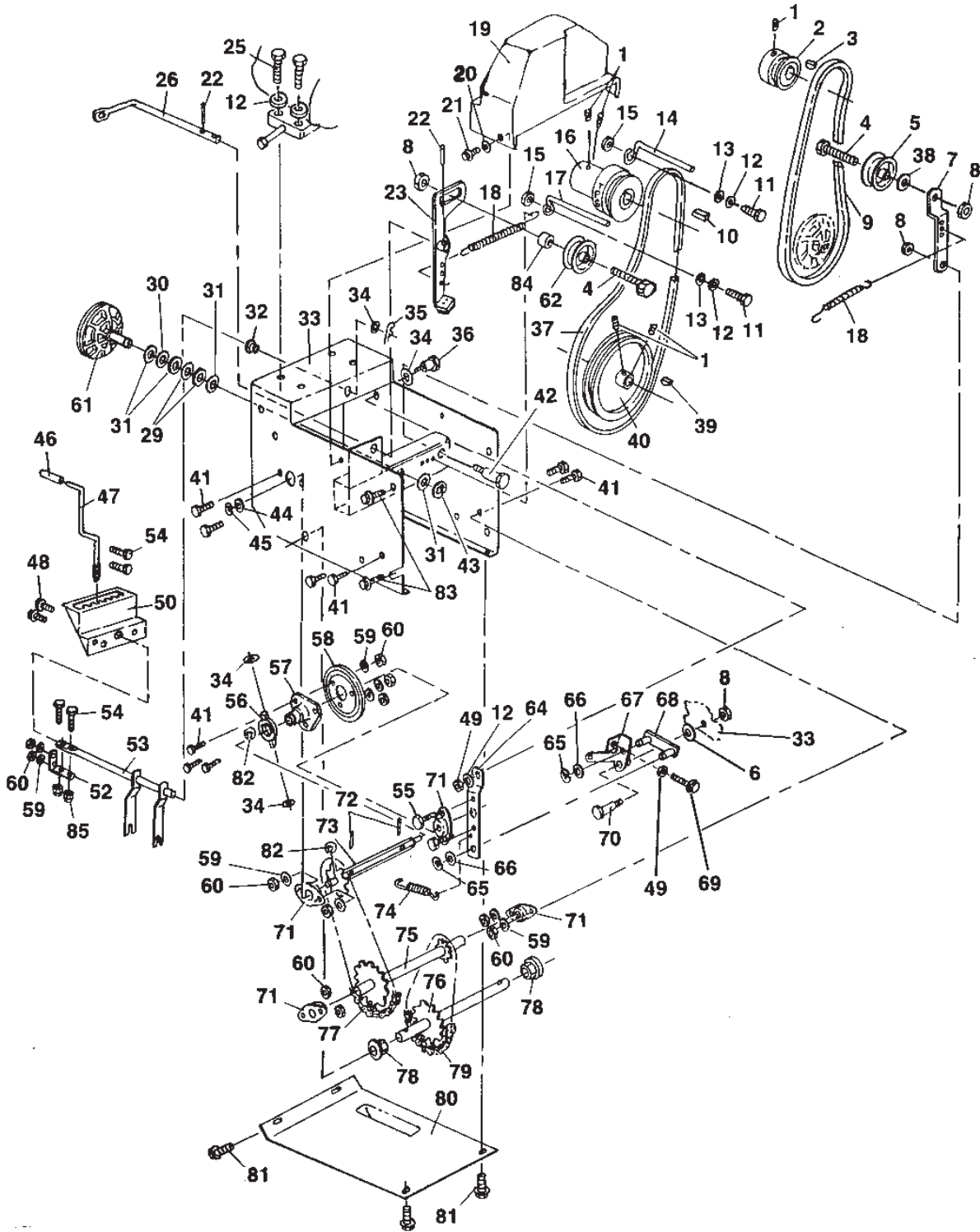
© Copyright 2014 Global Garden Products

All rights reserved. No part of this material may be reproduced or transmitted, in any form or by any means, electronic or mechanical, including photocopying, recording or by any information storage and retrieval system, without permission in writing from GLOBAL GARDEN PRODUCTS.

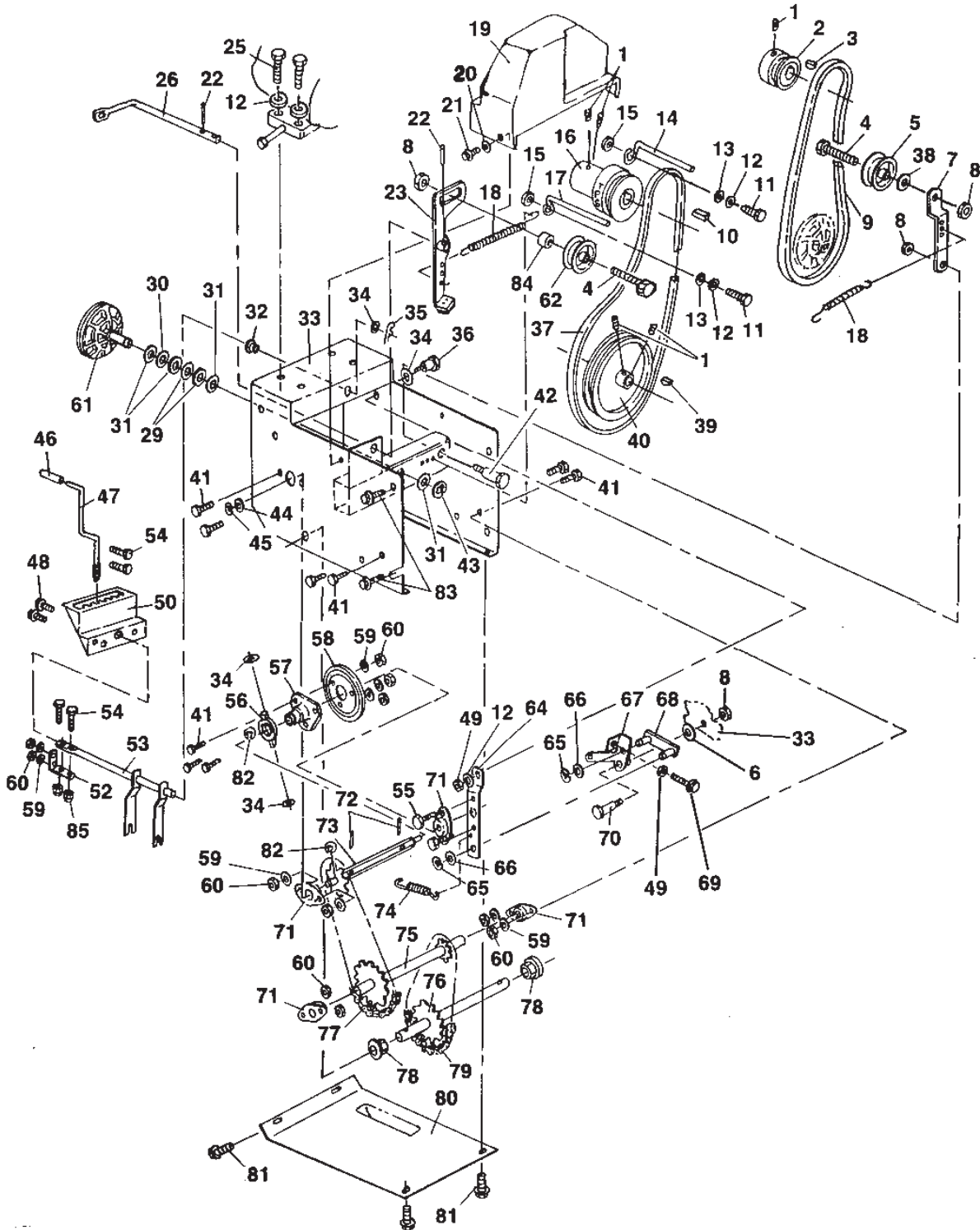
www.stiga.com



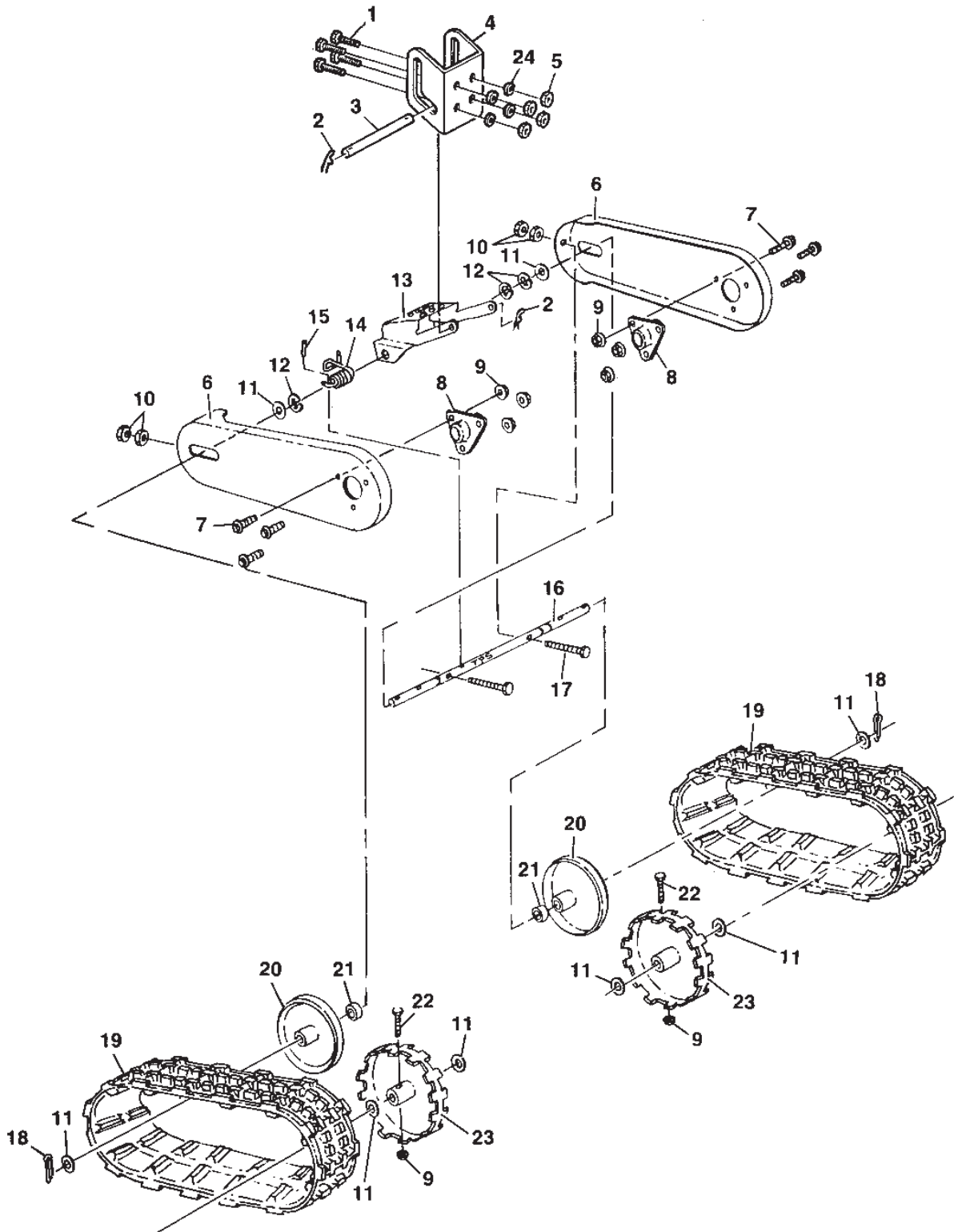
| Utgåva Issue 39 - 2014 | | Styre Reglage | Handle Controls | | |
|------------------------------|---------------|-------------------|------------------------|----------------------------------------|---------------------|
| Pos. Fig. | Antal Q.ty | Art nr Part No | Benämning | Description | Anmärkning Notes |
| 1 | 2 | 1812-0513-01 | Låsning | Retainer | |
| 2 | 1 | 1812-0934-01 | Handtagsaxel | Rod, Clutch Handle Clutch handle rod | |
| 3 | 4 | 9988-3519-16 | Skruv | Screw | |
| 4 | 2 | 1812-0946-01 | Wirefäste | Plate, Cable Pivot Cable pivot plate | |
| 5 | 1 | 1812-0933-01 | Kopplingshandtag-hö | Clutch Handle, Right | |
| 6 | 1 | 1812-0932-01 | Kopplingshandtag-vä | Clutch Handle, Left | |
| 7 | 4 | 9743-3521-32 | Mutter | Nut | |
| 8 | 1 | 1812-0396-01 | Låsning | Retainer | |
| 9 | 5 | 9699-0029-02 | Bricka | Washer | |
| 10 | 1 | 1812-0832-01 | Handtag | Crank Handle | |
| 11 | 1 | 1812-0256-02 | Inställningsvev Kpl Sf | Chute Crank (Sf) | |
| 12 | 1 | 1812-0203-01 | Bussning | Bushing | |
| 13 | 1 | 1812-0394-01 | Öglebult | Eyebolt | |
| 14 | 2 | 9743-3721-32 | Mutter | Nut | |
| 15 | 2 | 9988-3670-12 | Skruv | Screw | |
| 16 | 1 | 1812-0249-01 | Reglagewire (817 Mm) | Wire (817 Mm) | |
| 17 | 2 | 9743-3521-32 | Mutter | Nut | |
| 18 | 2 | 1812-0254-01 | Fjäder | Spring | |
| 19 | 5 | 9795-3631-02 | Mutter | Nut | |
| 20 | 1 | 9683-0035-02 | Bricka | Washer | |
| 21 | 1 | 1812-0844-01 | Styre-underdel | Handle-lower | |
| 22 | 2 | 1812-0941-01 | Plastknopp | Plastic Stop | |
| 23 | 4 | 9988-3619-16 | Skruv | Screw | |
| 24 | 1 | 1812-0646-01 | Plastknopp | Plastic cap | |
| 25 | 1 | 9599-0054-02 | SaxSprint | Split Pin | |
| 26 | 2 | 9683-0055-02 | Bricka | Washer | |
| 27 | 2 | 9743-5421-32 | Mutter | Nut | |
| 28 | 1 | 1812-0675-01 | Stag | Rod Chute Control | |
| 29 | 9 | 9683-0030-02 | Bricka | Washer | |
| 30 | 1 | 1812-0673-01 | Fäststag Vä | Bracket Chute Rotate L.H | |
| 31 | 2 | 9899-3622-16 | Skruv | Screw | |
| 32 | 1 | 1812-0910-01 | Fäste | Bracket | |
| 33 | 1 | 9988-3645-16 | Skruv | Screw | |
| 34 | 5 | 9699-0025-02 | Bricka | Washer | |
| 34 | 5 | 9699-0028-02 | Bricka | Washer | |
| 35 | 1 | 1812-0817-01 | Reglagewire | Auger Cable | |
| 36 | 1 | 1812-0879-01 | Handtag, övre | Upper Handle | |



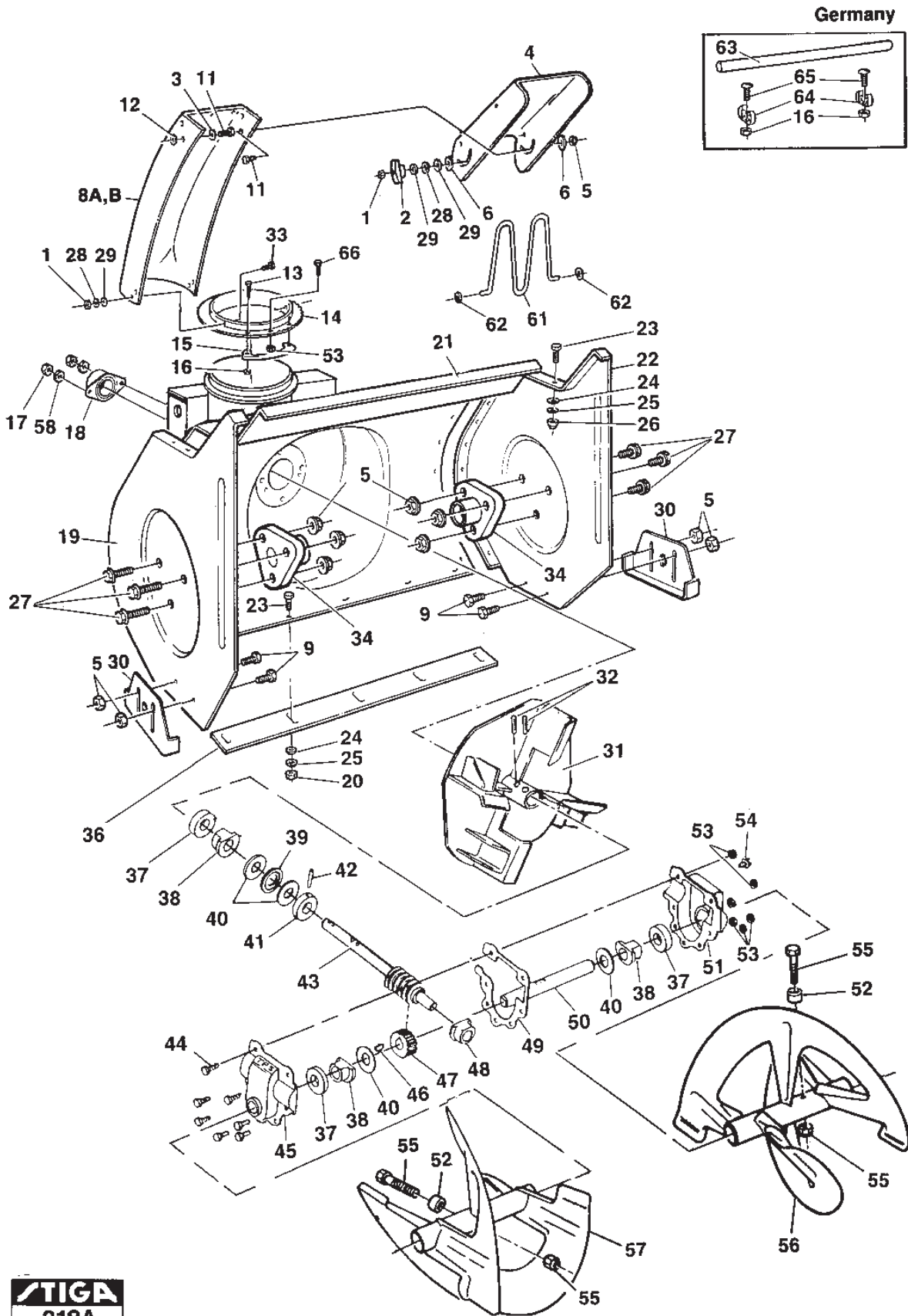
| Utgåva Issue 39 - 2014 | | Transmission | | Transmission | |
|------------------------------|---------------|-------------------|------------------------|---------------------|---------------------|
| Pos. Fig. | Antal Q.ty | Art nr Part No | Benämning | Description | Anmärkning Notes |
| 1 | 5 | 1812-1118-01 | Skruv | Screw | |
| 2 | 1 | 1812-0350-01 | Motorremskiva | Engine Pulley | |
| 3 | 1 | 1812-0718-01 | Kil | Key | |
| 4 | 2 | 9988-3745-12 | Skruv | Screw | |
| 5 | 1 | 1812-0926-01 | Spännrulle | Idler pulley | |
| 6 | 1 | 9699-0029-02 | Bricka | Washer | |
| 7 | 1 | 1812-0899-01 | Spännarm | Idler arm | |
| 8 | 4 | 9743-3721-32 | Mutter | Nut | |
| 9 | 1 | 1812-0935-01 | Utg Ers M 1812-9024-01 | Belt V 3L (33.79Lg) | |
| 10 | 1 | 1812-0954-01 | Kil | Key | |
| 11 | 2 | 9987-5132-16 | Skruv | Screw | |
| 12 | 7 | 9683-0030-02 | Bricka | Washer | |
| 13 | 2 | 9699-0028-02 | Bricka | Washer | |
| 14 | 1 | 1812-0920-01 | Remstyrning Vä | Belt Guide L.H | |
| 15 | 2 | 1812-0730-01 | Distans | Spacer | |
| 16 | 1 | 1812-0845-01 | Pulley | Pulley | |
| 17 | 1 | 1812-0921-01 | Remstyrning Hö | Belt Guide R.H | |
| 18 | 2 | 1812-0917-01 | Fjäder | Spring | |
| 19 | 1 | 1812-1115-01 | Remskydd | Belt Cover | |
| 20 | 2 | 9699-0026-02 | Bricka | Washer | |
| 21 | 2 | 1812-0384-01 | Skruv | Screw | |
| 22 | 2 | 1812-0930-01 | Stift | Roll pin | |
| 23 | 1 | 1812-0880-01 | Bromsarm | Brake arm | |
| 25 | 4 | 9988-3632-12 | Skruv | Screw | |
| 26 | 1 | 1812-0931-01 | Spännarm | Auger Clutch Lever | |
| 29 | 2 | 1812-0855-01 | Nållager | Needle Bearing | |
| 30 | 1 | 1812-0854-01 | Nållager | Needle Bearing | |
| 31 | 4 | 1812-0361-01 | Bricka | Washer | |
| 32 | 1 | 1812-0915-01 | Bussning | Bushing | |
| 33 | 1 | 1812-0927-01 | Chassi | Motor mount frame | |
| 34 | 4 | 9699-0115-02 | Bricka | Washer | |
| 35 | 1 | 9599-0054-02 | SaxSprint | Split Pin | |
| 36 | 1 | 1812-0928-01 | Shoulder bolt | Shoulder bolt | |
| 37 | 1 | 1812-0936-01 | Kilrem Snöskruv | Belt | |
| 38 | 1 | 1812-0747-01 | Bricka | Washer | |
| 39 | 1 | 1812-0307-01 | Kil | Key | |
| 40 | 1 | 1812-0904-01 | Remskiva | Auger Pulley | |
| 41 | 9 | 9988-3516-16 | Skruv | Screw | |
| 42 | 1 | 1812-0940-01 | Ansatsbult | Shoulder Bolt | |
| 43 | 1 | 9652-0015-04 | Låsring | Circlip | |
| 44 | 2 | 1812-0865-01 | Bricka | Washer | |
| 45 | 2 | 1812-0849-01 | Låsring | Retaining Ring | |
| 46 | 1 | 1812-0859-01 | Handtag | Hand grip | |
| 46 | 2 | 9795-3631-02 | Mutter | Nut | |
| 47 | 1 | 1812-0902-01 | Växelspak | Shift Lever | |
| 48 | 2 | 1812-0385-01 | Skruv | Screw | |
| 49 | 2 | 9795-3631-02 | Mutter | Nut | |
| 50 | 1 | 1812-0900-01 | Växelspakskonsol | Shift Bracket | |
| 52 | 1 | 1812-0843-01 | Shifter ring | Shifter ring | |



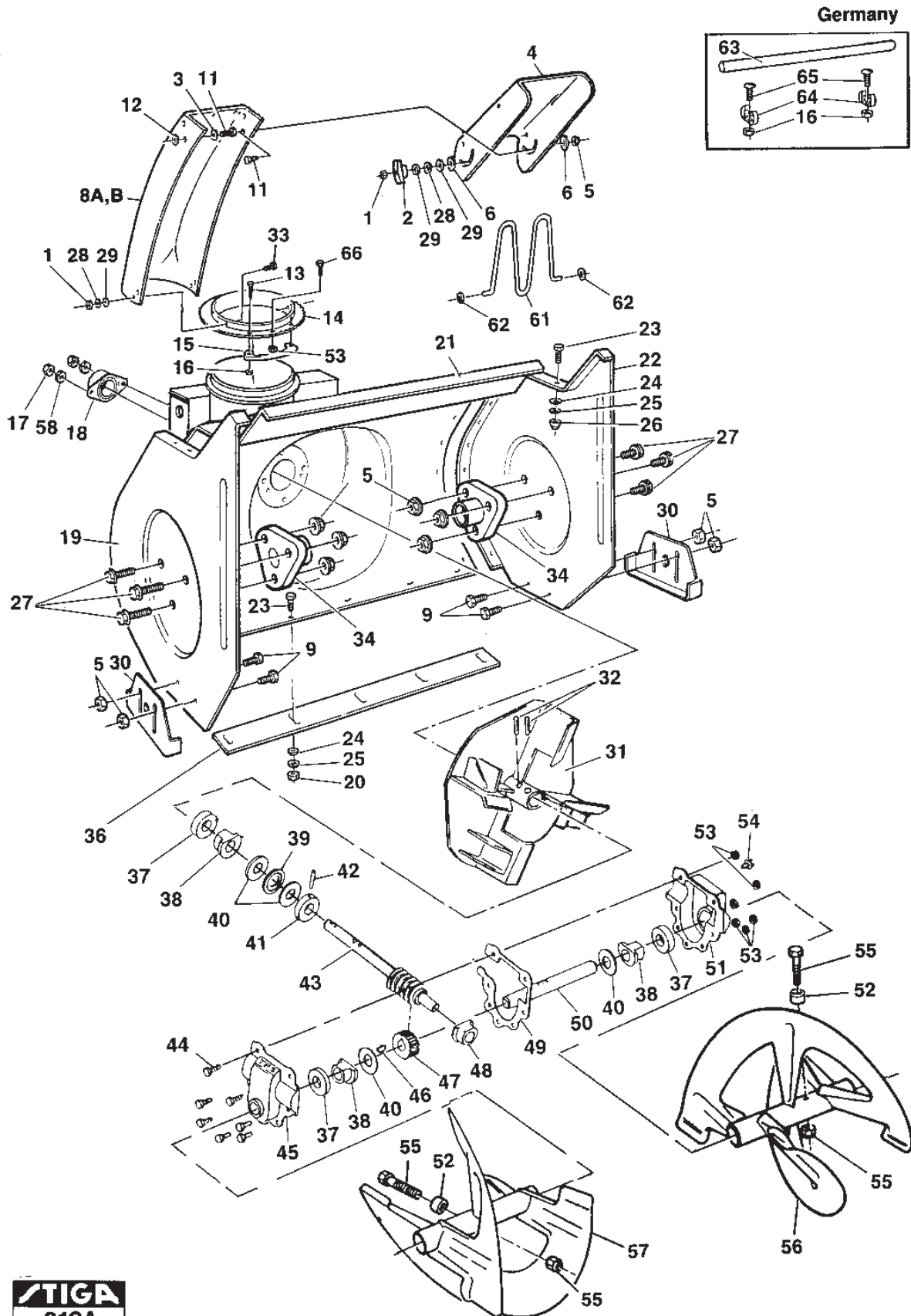
| Utgåva Issue 39 - 2014 | | Transmission | | | |
|------------------------------|---------------|-------------------|----------------|----------------------|---------------------|
| Pos. Fig. | Antal Q.ty | Art nr Part No | Benämning | Description | Anmärkning Notes |
| 53 | 1 | 1812-0882-01 | Shift yoke | Shift yoke | |
| 54 | 4 | 9988-3519-16 | Skruv | Screw | |
| 55 | 2 | 1812-0384-01 | Skruv | Screw | |
| 56 | 1 | 1812-0450-01 | Bärlager | Bearing | |
| 57 | 1 | 1812-0370-01 | Nav | Hub | |
| 58 | 1 | 1812-9002-01 | Friktionshjul | Friction Disc | |
| 59 | 9 | 9683-0025-02 | Bricka | Washer | |
| 60 | 11 | 9795-3531-02 | Mutter | Nut | |
| 61 | 1 | 1812-0951-01 | Drivskiva | Disc Drive | |
| 62 | 1 | 1812-0858-01 | Spännrulle | Idler Pulley | |
| 64 | 1 | 1812-0838-01 | Kopplingsarm | Clutch Lever | |
| 65 | 2 | 1812-0848-01 | Retaining ring | Retaining ring | |
| 66 | 2 | 9699-0028-02 | Bricka | Washer | |
| 67 | 1 | 1812-1113-01 | Drive lever | Drive lever | |
| 68 | 1 | 1812-0839-01 | Länkarm | Linkage | |
| 69 | 1 | 9988-3651-12 | Skruv | Screw | |
| 70 | 1 | 1812-0929-01 | Shoulder bolt | Shoulder bolt | |
| 71 | 4 | 1812-0842-01 | Lager | Bearing | |
| 72 | 2 | 1812-0391-01 | Stift | Pin | |
| 73 | 1 | 1812-0903-01 | Sexkantsaxel | Hex Shaft | |
| 74 | 1 | 1812-0914-01 | Fjäder | Spring | |
| 75 | 1 | 1812-0918-01 | Axel M. Drev | Jackshaft & Sprocket | |
| 76 | 1 | 1812-0841-01 | Axel M. Drev | Sprocket & Axle | |
| 77 | 1 | 9589-0501-00 | Kedjelås | Chain Fastener | För d:o |
| 77 | 1 | 1812-0924-01 | Kedja | Chain | |
| 78 | 2 | 1812-0846-01 | Lager | Bearing | |
| 79 | 1 | 9589-0501-00 | Kedjelås | Chain Fastener | För d:o |
| 79 | 1 | 1812-0923-01 | Kedja | Chain | |
| 80 | 1 | 1812-0851-01 | Bottenplåt | Bottom Panel | |
| 81 | 4 | 1812-0959-01 | Bult | Bolt | |
| 82 | 2 | 1812-0402-01 | Låsring | Retaining Ring | |
| 83 | 4 | 1812-0387-01 | Skruv | Screw | |
| 84 | 1 | 1812-0942-01 | Distans | Spacer | |
| 85 | 2 | 9743-3521-32 | Mutter | Nut | |



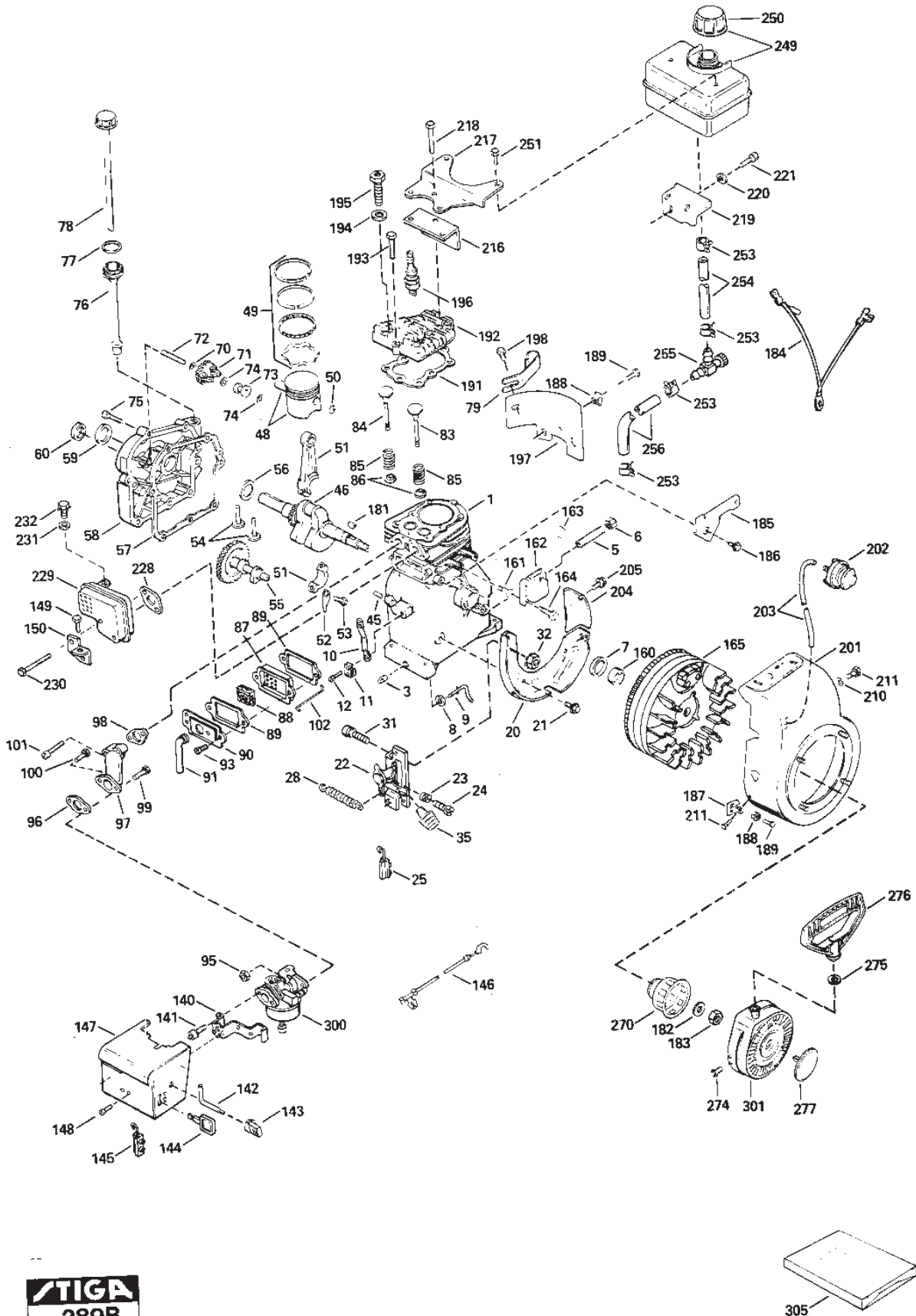
| Utgåva Issue 39 - 2014 | | Banddrivning | | Track Drive | |
|------------------------------|---------------|-------------------|--------------|---------------------|---------------------|
| Pos. Fig. | Antal Q.ty | Art nr Part No | Benämning | Description | Anmärkning Notes |
| 1 | 4 | 9988-3619-16 | Skruv | Screw | |
| 2 | 2 | 9599-0054-02 | SaxSprint | Split Pin | |
| 3 | 1 | 1812-0851-01 | Bottenplåt | Bottom Panel | |
| 3 | 1 | 1812-0853-01 | Pivotaxel | Pivot Pin | |
| 4 | 1 | 1812-1123-01 | Bygel | Mounting Bracket | |
| 5 | 4 | 9795-3631-02 | Mutter | Nut | |
| 6 | 2 | 1812-0901-01 | Bandstödplåt | Track Support Frame | |
| 7 | 6 | 9988-3519-16 | Skruv | Screw | |
| 8 | 2 | 1812-0850-01 | Lager | Bearing | |
| 9 | 8 | 9743-3521-32 | Mutter | Nut | |
| 10 | 4 | 9795-3531-02 | Mutter | Nut | |
| 11 | 8 | 9699-0104-02 | Bricka | Washer | |
| 12 | 3 | 9652-0015-04 | Låsring | Circlip | |
| 13 | 1 | 1812-0852-01 | Fotpedal | Foot Pedal | |
| 14 | 1 | 1812-0911-01 | Fjäder | Spring | |
| 15 | 1 | 1812-0958-01 | Stift | Roll Pin | |
| 16 | 1 | 1812-1112-01 | Axel | Shaft | |
| 17 | 2 | 1812-0907-01 | Bult | Bolt | |
| 18 | 2 | 1812-0939-01 | LåsSprint | Self Locking Pin | |
| 19 | 2 | 1812-0884-01 | Drivband | Track | |
| 20 | 2 | 1812-0938-01 | Spännhjul | Idler Wheel | |
| 21 | 2 | 1812-0922-01 | Distans | Spacer | |
| 22 | 2 | 1812-1114-01 | Bult Skruv | Bolt Screw | |
| 23 | 2 | 1812-0937-01 | Banddrivhjul | Wheel, Track Drive | |
| 24 | 4 | 9683-0030-02 | Bricka | Washer | |



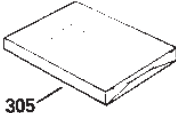
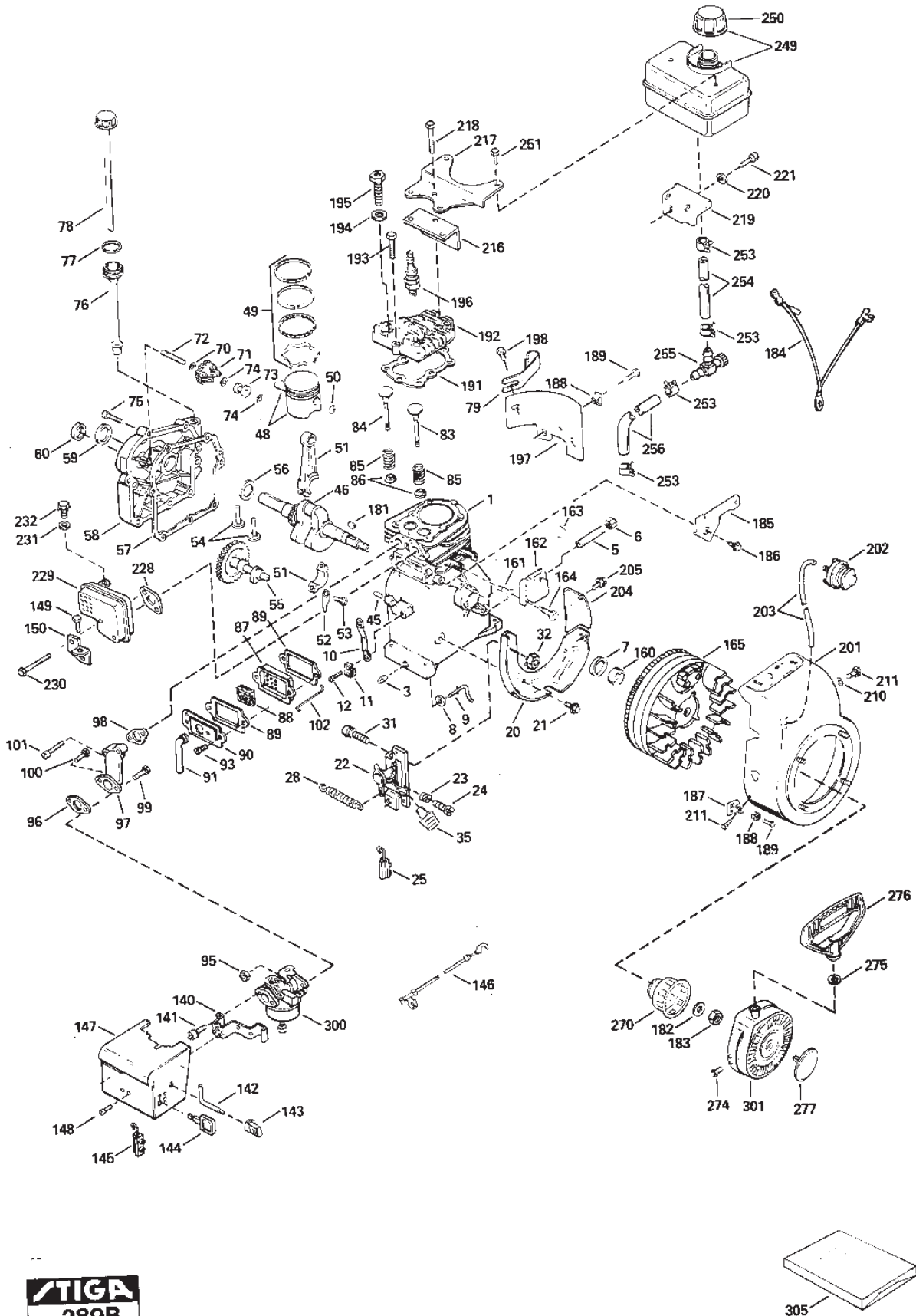
| Utgåva Issue 39 - 2014 | | Slungenhet Auger Housing | | | |
|------------------------------|---------------|-----------------------------|----------------------|----------------------|---------------------|
| Pos. Fig. | Antal Q.ty | Art nr Part No | Benämning | Description | Anmärkning Notes |
| 1 | 6 | 9795-3631-02 | Mutter | Nut | |
| 2 | 1 | 1812-1108-01 | Lås ratt | Knob | |
| 3 | 1 | 9699-0069-02 | Bricka | Washer | |
| 4 | 1 | 1812-0662-01 | Utkastskärm | Chute Deflector | |
| 5 | 9 | 9743-3621-32 | Mutter | Nut | |
| 6 | 4 | 1812-0667-01 | Plastbricka | Washer | |
| 8 | 1 | 1812-0633-01 | Utkaströr (Tyskland) | Chute (Germany) | Tyskland (DE) |
| 8 | 1 | 1812-0443-01 | Utkaströr | Chute | |
| 9 | 4 | 1812-1107-01 | Bult | Bolt | |
| 11 | 2 | 1812-0273-01 | Skruv | Screw | |
| 12 | 1 | 9699-0029-02 | Bricka | Washer | |
| 13 | 6 | 1812-0388-01 | Skruv | Screw | |
| 14 | 1 | 1812-1116-01 | Fläns | Flange | |
| 15 | 3 | 1812-0632-01 | Hållare | Retainer | |
| 16 | 6 | 1812-0389-01 | Mutter | Nut | |
| 17 | 2 | 9795-3731-02 | Mutter | Nut | |
| 18 | 1 | 1812-0820-01 | Lager | Bearing | |
| 19 | 1 | 1812-0873-01 | Sidoplåt Hö | Side Plate R.H | |
| 20 | 5 | 9795-3531-02 | Mutter | Nut | |
| 21 | 1 | 1812-0871-01 | Inmatningshus 20" | No Longer Available | |
| 22 | 1 | 1812-0872-01 | Sidoplåt Vä | Side Plate L.H | |
| 23 | 21 | 1812-0735-01 | Skruv | Carr.Bolt | |
| 24 | 21 | 9699-0026-02 | Bricka | Washer | |
| 25 | 21 | 9683-0025-02 | Bricka | Washer | |
| 26 | 16 | 9795-3531-02 | Mutter | Nut | |
| 27 | 6 | 9988-3619-16 | Skruv | Screw | |
| 28 | 7 | 9683-0030-02 | Bricka | Washer | |
| 29 | 8 | 9699-0028-02 | Bricka | Washer | |
| 30 | 2 | 1812-0847-01 | Släpsko | Height Adjustor Skid | |
| 31 | 1 | 1812-0898-01 | Fläkt | Impeller | |
| 32 | 2 | 1812-1109-01 | Stift | Roll Pin | |
| 33 | 2 | 9899-3622-16 | Skruv | Screw | |
| 34 | 2 | 1812-0878-01 | Lager | Bearing | |
| 36 | 1 | 1812-0870-01 | Skrapskär | Scraper Bar | |
| 37 | 3 | 1812-0881-01 | Tätningring | Oil Seal | |
| 38 | 3 | 1812-0864-01 | Bussning | Bushing | |
| 39 | 1 | 1812-0285-01 | Nållager | Needle Bearing | |
| 40 | 4 | 1812-0857-01 | Bricka | Thrust Washer | |
| 41 | 1 | 1812-0861-01 | Lagerdistans | Thrust Collar | |
| 42 | 1 | 1812-0958-01 | Stift | Roll Pin | |
| 43 | 1 | 1812-0840-01 | Ingående Axel | Input Shaft | |
| 44 | 7 | 9988-3519-16 | Skruv | Screw | |
| 45 | 1 | 1812-0909-01 | Snäckväxelhus-hö | Gear case-R.H. | |
| 46 | 1 | 1812-0813-01 | Woodruffkil | Woodruff Key | |
| 47 | 1 | 1812-0862-01 | Snäckdrev | Worm Gear | |
| 48 | 1 | 1812-0863-01 | Bussning | Bushing | |
| 49 | 1 | 1812-0860-01 | Packning | Gasket | |
| 50 | 1 | 1812-1120-01 | Snöskruvaxel | Output Shaft | |
| 51 | 1 | 1812-0908-01 | Snäckväxelhus-vä | Gear case-L.H. | |



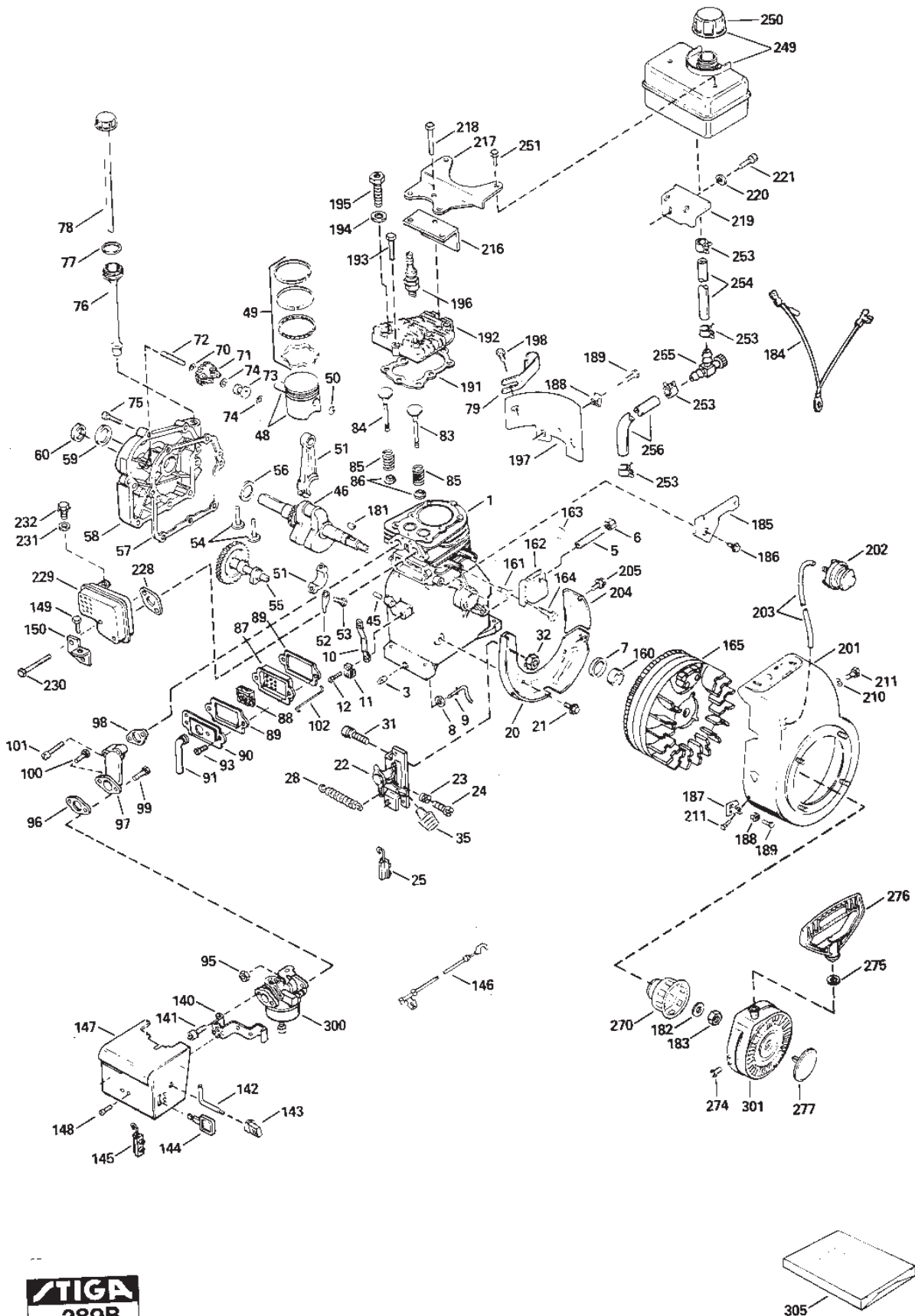
| Utgåva Issue 39 - 2014 | | Slungenhet Auger Housing | | | |
|------------------------------|---------------|-----------------------------|-----------------|------------------|---------------------|
| Pos. Fig. | Antal Q.ty | Art nr Part No | Benämning | Description | Anmärkning Notes |
| 52 | 2 | 1812-0531-01 | Distans | Spacer | |
| 53 | 8 | 9743-3521-32 | Mutter | Nut | |
| 54 | 1 | 1812-0856-01 | Skruv | Screw | |
| 55 | 1 | 1812-9005-01 | Brytbultsats | Shear Bolt Kit | Inkl.pos. 52 |
| 56 | 1 | 1812-1122-01 | Snöskruv-vä | Auger Lh 20inch | |
| 57 | 1 | 1812-1121-01 | Snöskruv-hö | Auger Rh 20inch | |
| 58 | 2 | 9683-0035-02 | Bricka | Washer | |
| 61 | 1 | 1812-0231-01 | Utkastskydd | Chute Protection | |
| 62 | 2 | 1812-1143-01 | Låsring | Grip Ring | |
| 63 | 1 | 1812-0315-01 | Clean out stick | Clean out stick | |
| 64 | 2 | 1812-0316-01 | Klämman | Clamp | |
| 65 | 2 | 1812-0728-01 | Bult | Bolt | |
| 66 | 1 | 9988-3525-16 | Skruv | Screw | |



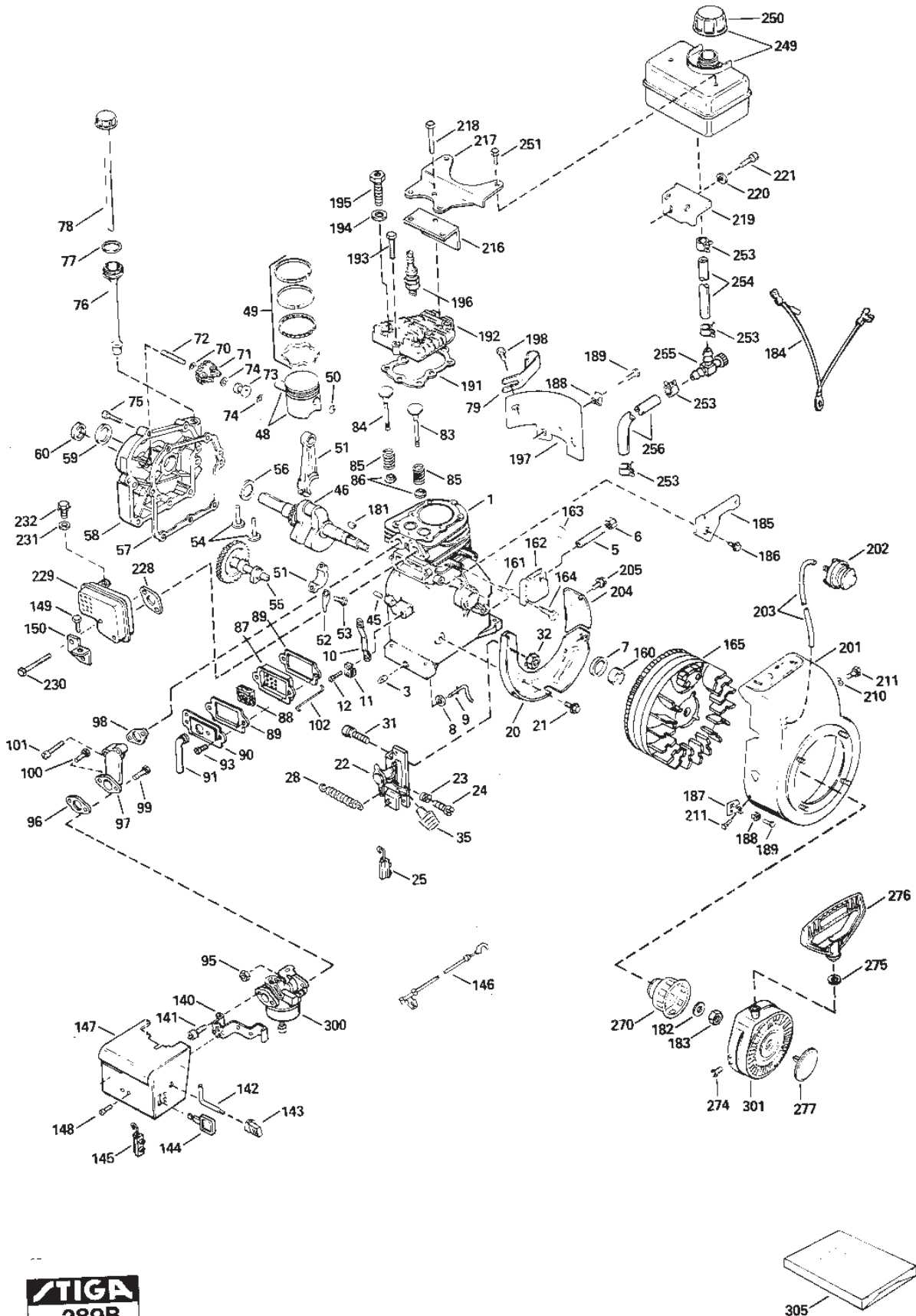
| Utgåva Issue 39 - 2014 | | Tecumseh Hs40 Hs50 | | Tecumseh Hs40 Hs50 | |
|------------------------------|---------------|--------------------|----------------------|----------------------|-----------------------|
| Pos. Fig. | Antal Q.ty | Art nr Part No | Benämning | Description | Anmärkning Notes |
| 1 | 1 | 33014C | Cylinder kpl | Cylinder Assy | Inkl.pos. 3,7,45 |
| 1 | 1 | 33674B | Cylinder kpl | Cylinder Assy | Inkl.pos. 3,7,45 |
| 3 | 1 | 27642 | Oil drain plug | Oil drain plug | |
| 5 | 1 | 30968 | Rör | Pipe | |
| 6 | 1 | 30969 | Cap | Cap | |
| 7 | 1 | 32600 | Oil seal | Oil seal | |
| 8 | 1 | 28277 | Bricka | Flat washer | |
| 9 | 1 | 31334 | Governor rod | Governor rod | |
| 10 | 1 | 31510 | Governor lever | Governor lever | |
| 11 | 1 | 31335 | Clamp | Clamp | |
| 12 | 1 | 650548 | Skruv | Screw | |
| 20 | 1 | 33342 | Baffle | Baffle | |
| 21 | 2 | 650561 | Skruv | Screw | |
| 22 | 1 | 33858A | Bracket control assy | Bracket control assy | Inkl.pos. 23-25,31-32 |
| 23 | 1 | 31342 | Fjäder | Spring | |
| 24 | 1 | 650549 | Skruv | Screw | |
| 25 | 1 | 610973 | Terminal | Terminal | |
| 28 | 1 | 31426 | Fjäder | Spring | |
| 31 | 1 | 650139 | Skruv | Screw | |
| 32 | 1 | 30322 | Mutter | Nut | |
| 35 | 1 | 35440 | Knopp | Knob | |
| 45 | 2 | 26727 | Styrpinne | Dowel pin | |
| 46 | 1 | 34740 | Crankshaft | Crankshaft | |
| 46 | 1 | 34846 | Crankshaft | Crankshaft | |
| 48 | 1 | 33562B | Kolv kpl | Piston Assy | Inkl.pos. 50 |
| 48 | 1 | 35541 | Kolvsprint | Piston Pin | Inkl.pos. 50 |
| 49 | 1 | 33567 | Ring set | Ring set | |
| 49 | 1 | 35547 | Ring set | Ring set | |
| 50 | 2 | 20381 | Retaining ring | Retaining ring | |
| 51 | 1 | 32875 | Connecting rod assy | Connecting rod assy | Inkl.pos. 52-53 |
| 52 | 1 | 32654 | Oil dipper | Oil dipper | |
| 53 | 2 | 32610A | Skruv | Screw | |
| 54 | 2 | 27241 | Valve lifter | Valve lifter | |
| 55 | 1 | 33158 | Kamaxel | Camshaft | |
| 55 | 1 | 33696 | Kamaxel | Camshaft | |
| 56 | 1 | 32323 | Bricka | Washer | |
| 57 | 1 | 27677A | Packning | Gasket | |
| 58 | 1 | 34678 | Cylinderkåpa | Cylinder Cover assy | Inkl.pos. 59-60,72 |
| 58 | 1 | 34674C | Cylinderkåpa | Cylinder Cover assy | Inkl.pos. 59,70-73 |
| 59 | 1 | 27897 | Oil seal | Oil seal | |
| 60 | 1 | 30318 | Seal | Seal | |
| 70 | 1 | 30590A | Bricka | Flat washer | |
| 70 | 1 | 35479 | Bricka | Washer | |
| 71 | 1 | 30591 | Governor gear | Governor gear | Inkl.pos. 70 |
| 72 | 1 | 30574 | Governor shaft | Governor shaft | |
| 73 | 1 | 30588A | Spool | Spool | |
| 74 | 2 | 29193 | Retaining ring | Retaining ring | |
| 75 | 7 | 650488 | Skruv | Screw | |
| 76 | 1 | 35554 | Oljepåfyllningsrör | Oil fill tube | |



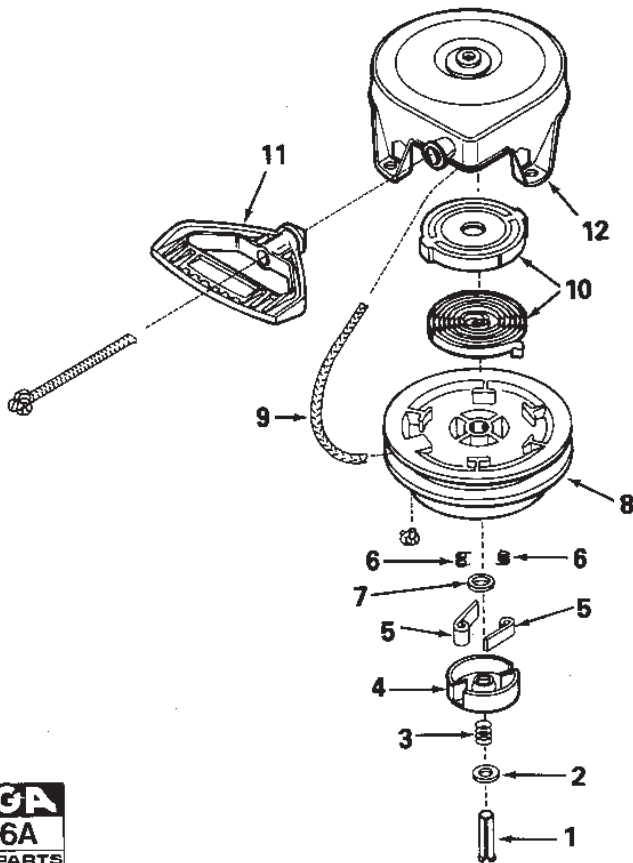
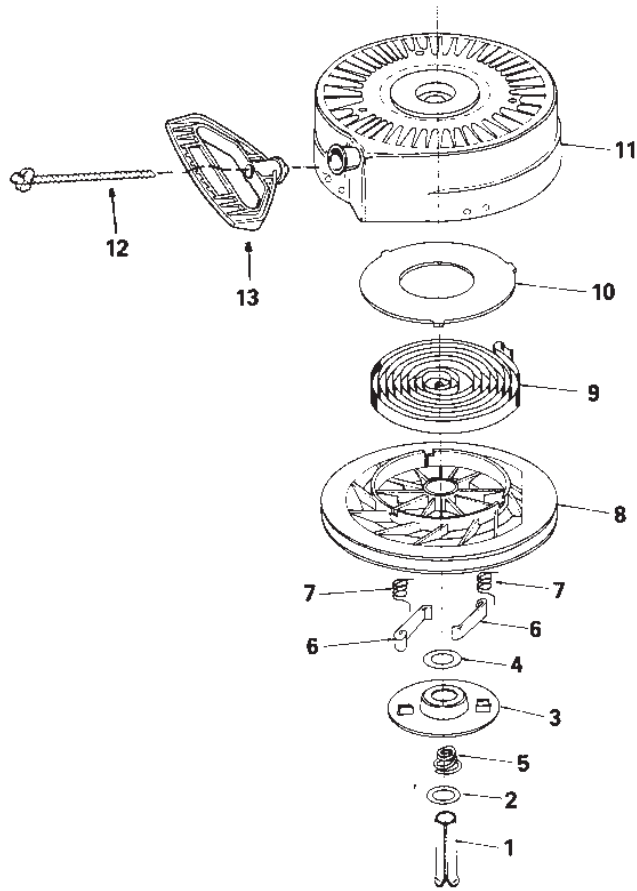
| Utgåva Issue 39 - 2014 | | Tecumseh Hs40 Hs50 | | Tecumseh Hs40 Hs50 | |
|------------------------------|---------------|--------------------|----------------------|----------------------|---------------------|
| Pos. Fig. | Antal Q.ty | Art nr Part No | Benämning | Description | Anmärkning Notes |
| 77 | 1 | 35499 | O-ring | O-ring | |
| 78 | 1 | 35556 | Oil dipstick | Oil dipstick | |
| 79 | 1 | 35539 | Clip | Clip | |
| 83 | 1 | 29313C | Exhaust valve | Exhaust valve | Inkl.pos. 86 |
| 84 | 1 | 32644A | Insugningsventil | Intake valve | Inkl.pos. 86 |
| 85 | 2 | 31672 | Valve spring | Valve spring | |
| 86 | 2 | 31673 | Valve cap | Valve cap | |
| 87 | 1 | 27666 | Valve cover body | Valve cover body | |
| 88 | 1 | 31410 | Filterelement | Element | |
| 89 | 2 | 27234A | Packning | Gasket | |
| 90 | 1 | 34146 | Cover | Cover | |
| 91 | 1 | 35350 | Rör | Tube | |
| 93 | 2 | 30200 | Skruv | Screw | |
| 93 | 2 | 650128 | Skruv | Screw | |
| 95 | 2 | 29752 | Mutter | Nut | |
| 96 | 1 | 26756 | Packning | Gasket | |
| 97 | 1 | 32859 | Intake pipe | Intake pipe | |
| 97 | 1 | 33691 | Intake pipe | Intake pipe | |
| 98 | 1 | 32649A | Packning | Gasket | |
| 98 | 1 | 33673A | Packning | Gasket | |
| 99 | 1 | 6201 | Skruv | Screw | |
| 100 | 1 | 650870 | Skruv | Screw | |
| 101 | 2 | 650664 | Skruv | Screw | |
| 102 | 1 | 32698 | Länk | Link | |
| 140 | 1 | 34583 | Choke bracket | Choke bracket | |
| 141 | 2 | 28820 | Skruv | Screw | |
| 142 | 1 | 34582 | Choke rod | Choke rod | |
| 143 | 1 | 35438 | Reglageknopp | Knob | |
| 144 | 1 | 35062 | Tändningsnyckel | Ignition Key | |
| 145 | 1 | 610973 | Terminal | Terminal | |
| 146 | 1 | 35285 | Ground wire | Ground wire | |
| 147 | 1 | 35072 | Cover | Cover | |
| 148 | 2 | 650257 | Skruv | Screw | |
| 149 | 1 | 650735 | Skruv | Screw | |
| 150 | 1 | 33333 | Fäste | Bracket | |
| 160 | 1 | 34080 | Distans | Spacer | |
| 161 | 2 | 650872 | Pinnbult | Mounting stud | |
| 162 | 1 | 34443A | Solid state ignition | Solid state ignition | |
| 163 | 1 | 610118 | Spark plug cover | Spark plug cover | |
| 164 | 2 | 650814 | Skruv | Screw | |
| 165 | 1 | 611081 | Flywheel | Flywheel | |
| 181 | 1 | 610961 | Kil | Key | |
| 182 | 1 | 650815 | Bricka | Washer | |
| 183 | 1 | 650863 | Mutter | Nut | |
| 184 | 1 | 35557 | Ground wire | Ground wire | |
| 185 | 1 | 34212 | Fäste | Bracket | |
| 186 | 1 | 30200 | Skruv | Screw | |
| 187 | 1 | 34126 | Fäste | Bracket | |
| 188 | 1 | 28545 | Isoleringshylsa | Grommet | |



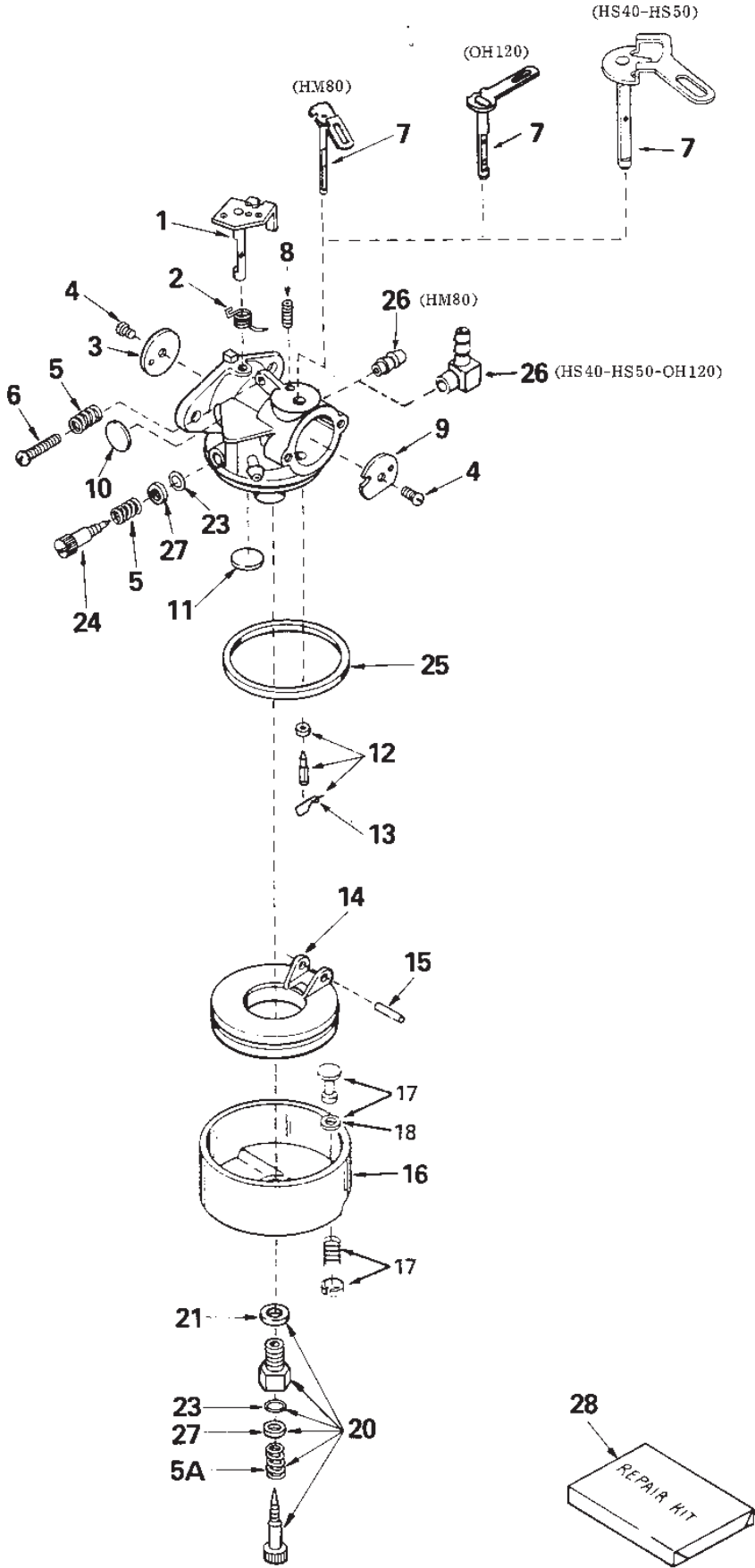
| Utgåva Issue 39 - 2014 | | Tecumseh Hs40 Hs50 | | Tecumseh Hs40 Hs50 | |
|------------------------------|---------------|--------------------|-------------------|--------------------|---------------------|
| Pos. Fig. | Antal Q.ty | Art nr Part No | Benämning | Description | Anmärkning Notes |
| 188 | 2 | 28545 | Isoleringshylsa | Grommet | |
| 189 | 1 | 650760 | Skruv | Screw | |
| 189 | 2 | 650760 | Skruv | Screw | |
| 191 | 1 | 33015A | Packning | Gasket | |
| 191 | 1 | 33554A | Packning | Gasket | |
| 191 | 1 | 36443 | Packning | Gasket | |
| 192 | 1 | 33016A | Topplöck | Cylinder Head | Inkl.pos. 218 |
| 192 | 1 | 36441 | Topplöck | Cylinder Head | Inkl.pos. 218 |
| 193 | 1 | 6021A | Skruv | Screw | |
| 193 | 2 | 6021A | Skruv | Screw | |
| 194 | 1 | 650691 | Bricka | Washer | |
| 194 | 6 | 650691 | Bricka | Washer | |
| 195 | 1 | 650818 | Skruv | Screw | |
| 195 | 6 | 650818 | Skruv | Screw | |
| 196 | 1 | 1111-9028-02 | Tändstift (J19Lm) | Spark Plug (J19Lm) | Champion J19LM |
| 196 | 1 | 9400-0225-00 | Tändstift (J19Lm) | Spark Plug (J19Lm) | Champion J19LM |
| 197 | 1 | 29745 | Extension | Extension | |
| 198 | 1 | 650128 | Skruv | Screw | |
| 198 | 2 | 650128 | Skruv | Screw | |
| 201 | 1 | 35656 | Blower housing | Blower housing | |
| 202 | 1 | 570682 | Primer | Primer | |
| 203 | 1 | 32180C | Primerslang | Primer line | |
| 204 | 1 | 33341 | Extension | Extension | |
| 204 | 1 | 35883 | Extension | Extension | |
| 205 | 1 | 650701 | Skruv | Screw | |
| 205 | 1 | 650926 | Skruv | Screw | |
| 210 | 1 | 650168 | Bricka | Washer | |
| 211 | 2 | 29212 | Skruv | Screw | |
| 216 | 1 | 33344 | Värmskydd | Heat baffle | |
| 217 | 1 | 28371B | Tank plate | Tank plate | |
| 217 | 1 | 36247 | Tank bracket | Tank bracket | |
| 218 | 1 | 650694A | Skruv | Screw | |
| 218 | 5 | 650694A | Skruv | Screw | |
| 219 | 1 | 34182 | Fäste | Bracket | |
| 220 | 1 | 650675 | Bricka | Washer | |
| 221 | 1 | 650805 | Skruv | Screw | |
| 228 | 1 | 26754A | Packning | Gasket | |
| 228 | 1 | 33670A | Packning | Gasket | |
| 229 | 1 | 35771 | Ljuddämpare | Muffler | Inkl.pos. 228 |
| 229 | 1 | 32648A | Ljuddämpare | Muffler | |
| 229 | 1 | 33697A | Ljuddämpare | Muffler | |
| 230 | 2 | 650327 | Skruv | Screw | |
| 231 | 1 | 8345 | Bricka | Washer | |
| 232 | 1 | 30063 | Skruv | Screw | |
| 249 | 1 | 35584 | Tank assy | Tank assy | Inkl.pos. 250,253 |
| 250 | 1 | 35355 | Tank cap | Tank cap | |
| 251 | 2 | 650665 | Skruv | Screw | |
| 253 | 4 | 26460 | Clamp | Clamp | |
| 254 | 1 | 29774 | Fuel line | Fuel line | |



| Utgåva Issue 39 - 2014 | | Tecumseh Hs40 Hs50 | | Tecumseh Hs40 Hs50 | |
|------------------------------|---------------|--------------------|----------------|--------------------|---------------------|
| Pos. Fig. | Antal Q.ty | Art nr Part No | Benämning | Description | Anmärkning Notes |
| 255 | 1 | 32961 | Shut-off valve | Shut-off valve | |
| 255 | 1 | 35857 | Shut-off valve | Shut-off valve | |
| 256 | 1 | 30705 | Fuel line | Fuel line | |
| 270 | 1 | 34694 | Starter cup | Starter cup | |
| 274 | 2 | 650884 | Skruv | Screw | |
| 274 | 2 | 650926 | Skruv | Screw | |
| 275 | 1 | 650168 | Bricka | Washer | |
| 276 | 1 | 590574 | Styrplåt kpl | Starter handle | |
| 277 | 1 | 35392 | Plugg | Plug | |
| 300 | 1 | 632107A | Förgasare kpl | Carburettor Assy | |
| 300 | 1 | 632113A | Förgasare kpl | Carburettor Assy | |
| 301 | 1 | 590646 | Starter assy | Starter assy | |
| 305 | 1 | 33240B | Packningssats | Gasket set | |
| 305 | 1 | 33683B | Packningssats | Gasket set | |
| 305 | 1 | 36444 | Packningssats | Gasket set | |



| Utgåva Issue 39 - 2014 | | Tecumseh Hs40-Hs50-Hm80-Oh120 Start Kpl | | Tecumseh Hs40-Hs50-Hm80-Oh120 Starter Assy | |
|------------------------------|---------------|-----------------------------------------|--------------------------|--------------------------------------------|---------------------|
| Pos. Fig. | Antal Q.ty | Art nr Part No | Benämning | Description | Anmärkning Notes |
| 0 | 1 | 590646 | Starter assy | Starter assy | |
| 0 | 1 | 590630 | Starter assy | Starter assy | |
| 1 | 1 | 590599A | Stift | Pin | |
| 2 | 1 | 590600 | Bricka | Washer | |
| 3 | 1 | 590615 | Hållare | Retainer | |
| 3 | 1 | 590598 | Fjäder | Spring | |
| 4 | 1 | 590601 | Bricka | Washer | |
| 4 | 1 | 590627 | Hållare | Retainer | |
| 5 | 1 | 590598 | Fjäder | Spring | |
| 5 | 2 | 590641 | Startklo | Dog | |
| 6 | 2 | 590616 | Starter dog | Starter dog | |
| 6 | 2 | 590617 | Fjäder | Spring | |
| 7 | 2 | 590617 | Fjäder | Spring | |
| 7 | 1 | 590601 | Bricka | Washer | |
| 8 | 1 | 590645 | Pulley | Pulley | |
| 8 | 1 | 590628 | Pulley | Pulley | |
| 9 | 1 | 590619 | Returfjäder | Rewind spring | |
| 9 | 1 | 1111-1580-02 | Startsnöre (Från 5 Hk) S | Starter Rope >5Hp | |
| 10 | 1 | 590620 | Cover | Cover | |
| 10 | 1 | 590629 | Fjäder | Spring | |
| 11 | 1 | 590647 | Starthus | Starter housing | |
| 11 | 1 | 590574 | Styrplåt kpl | Starter handle | |
| 12 | 1 | 1111-1580-01 | Startsnöre | Starter Rope | |
| 12 | 1 | 590631 | Starthus | Starter housing | |
| 13 | 1 | 590574 | Styrplåt kpl | Starter handle | |



| Utgåva Issue 39 - 2014 | | Tecumseh Hs40-Hs50-Hm80-Oh120 Förgasare Kpl Tecumseh Hs40-Hs50-Hm80-Oh120 Carburettor Assy | | | |
|------------------------------|---------------|--------------------------------------------------------------------------------------------|----------------------------------|-----------------------------|---------------------|
| Pos. Fig. | Antal Q.ty | Art nr Part No | Benämning | Description | Anmärkning Notes |
| 0 | 1 | 632113A | Förgasare kpl | Carburettor Assy | /HS40/ |
| 0 | 1 | 632107A | Förgasare kpl | Carburettor Assy | |
| 0 | 1 | 632334A | Förgasare kpl | Carburettor Assy | |
| 0 | 1 | 632511A | Förgasare kpl | Carburettor Assy | |
| 1 | 1 | 631615 | Spjällsaxeln | Throttle Shaft | |
| 1 | 1 | 631776 | Spjällsaxeln | Throttle Shaft | |
| 1 | 1 | 632512 | Spjällsaxeln | Throttle Shaft | |
| 2 | 1 | 631767 | Fjäder | Spring | |
| 2 | 1 | 631970 | Fjäder | Spring | |
| 3 | 1 | 631036 | Gasspjäll | Throttle Shutter | |
| 3 | 1 | 631778 | Gasspjäll | Throttle Shutter | |
| 3 | 1 | 632517 | Gasspjäll | Throttle Shutter | |
| 4 | 2 | 650506 | Skruv | Screw | |
| 5 | 2 | 630766 | Fjäder | Spring | |
| 5 | 1 | 630738 | Fjäder | Spring | |
| 6 | 1 | 650417 | Skruv | Screw | |
| 7 | 1 | 632108 | Choke shaft | Choke shaft | |
| 7 | 1 | 632112 | Choke shaft | Choke shaft | |
| 7 | 1 | 632513 | Choke shaft | Choke shaft | |
| 8 | 1 | 630735 | Fjäder | Spring | |
| 9 | 1 | 631815 | Choke shutter | Choke shutter | |
| 9 | 1 | 632174 | Choke shutter | Choke shutter | |
| 9 | 1 | 632514 | Choke shutter | Choke shutter | |
| 10 | 1 | 630748 | Welch plug | Welch plug | |
| 11 | 1 | 631027 | Welch plug | Welch plug | |
| 12 | 1 | 631021 | Nålventil kpl | Inlet needle assy | Inkl. pos 13 |
| 13 | 1 | 631022 | Fjäder | Spring clip | |
| 14 | 1 | 632019 | Flottör | Float | |
| 15 | 1 | 631024 | Flottöraxel | Float shaft | |
| 16 | 1 | 631951 | Flottörhus kpl | Float bowl assy | Inkl. pos 17,18 |
| 17 | 1 | 27136A | Bowl drain | Bowl drain | Inkl. pos 18 |
| 18 | 1 | 27554 | Packning | Gasket | |
| 20 | 1 | 31839 | Skruv | Screw | Inkl. 5A,21,23,27 |
| 20 | 1 | 632239 | Skruv | Screw | Inkl. 5A,21,23,27 |
| 21 | 1 | 27110 | Packning | Gasket | |
| 23 | 2 | 630740 | O-ring | O-ring | |
| 24 | 1 | 631838 | Skruv | Screw | |
| 24 | 1 | 632281 | Förgasare kpl | Carburettor Assy | |
| 25 | 1 | 631028 | O-ring | O-ring | |
| 26 | 1 | 631807 | Nippel | Fuel fitting | |
| 26 | 1 | 632164 | Nippel | Fuel fitting | |
| 26 | 1 | 632527 | Nippel | Fuel fitting | |
| 27 | 2 | 630739 | Bricka | Washer | |
| 28 | 1 | 31840 | Reparationssats Use MAS-031840 | Repair Kit Use MAS-031840 | |
| 28 | 1 | 632347 | Reparationssats | Repair Kit | |

| code | pos. | q.ty | page | | | | | | | | | |
|--------------|------|------|-------|--------|-----|---|-------|---------|-----|---|-------|--|
| 9987-5132-16 | 11 | 2 | p. 5 | 32644A | 84 | 1 | p. 17 | 590574 | 11 | 1 | p. 23 | |
| 9988-3516-16 | 41 | 9 | p. 5 | 32648A | 229 | 1 | p. 19 | 590574 | 13 | 1 | p. 23 | |
| 9988-3519-16 | 3 | 4 | p. 3 | 32649A | 98 | 1 | p. 17 | 590574 | 276 | 1 | p. 21 | |
| 9988-3519-16 | 7 | 6 | p. 9 | 32654 | 52 | 1 | p. 15 | 590598 | 3 | 1 | p. 23 | |
| 9988-3519-16 | 44 | 7 | p. 11 | 32698 | 102 | 1 | p. 17 | 590598 | 5 | 1 | p. 23 | |
| 9988-3519-16 | 54 | 4 | p. 7 | 32859 | 97 | 1 | p. 17 | 590599A | 1 | 1 | p. 23 | |
| 9988-3525-16 | 66 | 1 | p. 13 | 32875 | 51 | 1 | p. 15 | 590600 | 2 | 1 | p. 23 | |
| 9988-3619-16 | 1 | 4 | p. 9 | 32961 | 255 | 1 | p. 21 | 590601 | 4 | 1 | p. 23 | |
| 9988-3619-16 | 23 | 4 | p. 3 | 33014C | 1 | 1 | p. 15 | 590601 | 7 | 1 | p. 23 | |
| 9988-3619-16 | 27 | 6 | p. 11 | 33015A | 191 | 1 | p. 19 | 590615 | 3 | 1 | p. 23 | |
| 9988-3632-12 | 25 | 4 | p. 5 | 33016A | 192 | 1 | p. 19 | 590616 | 6 | 2 | p. 23 | |
| 9988-3645-16 | 33 | 1 | p. 3 | 33158 | 55 | 1 | p. 15 | 590617 | 6 | 2 | p. 23 | |
| 9988-3651-12 | 69 | 1 | p. 7 | 33240B | 305 | 1 | p. 21 | 590617 | 7 | 2 | p. 23 | |
| 9988-3670-12 | 15 | 2 | p. 3 | 33333 | 150 | 1 | p. 17 | 590619 | 9 | 1 | p. 23 | |
| 9988-3745-12 | 4 | 2 | p. 5 | 33341 | 204 | 1 | p. 19 | 590620 | 10 | 1 | p. 23 | |
| 20381 | 50 | 2 | p. 15 | 33342 | 20 | 1 | p. 15 | 590627 | 4 | 1 | p. 23 | |
| 26460 | 253 | 4 | p. 19 | 33344 | 216 | 1 | p. 19 | 590628 | 8 | 1 | p. 23 | |
| 26727 | 45 | 2 | p. 15 | 33554A | 191 | 1 | p. 19 | 590629 | 10 | 1 | p. 23 | |
| 26754A | 228 | 1 | p. 19 | 33562B | 48 | 1 | p. 15 | 590630 | 0 | 1 | p. 23 | |
| 26756 | 96 | 1 | p. 17 | 33567 | 49 | 1 | p. 15 | 590631 | 12 | 1 | p. 23 | |
| 27110 | 21 | 1 | p. 25 | 33670A | 228 | 1 | p. 19 | 590641 | 5 | 2 | p. 23 | |
| 27136A | 17 | 1 | p. 25 | 33673A | 98 | 1 | p. 17 | 590645 | 8 | 1 | p. 23 | |
| 27234A | 89 | 2 | p. 17 | 33674B | 1 | 1 | p. 15 | 590646 | 0 | 1 | p. 23 | |
| 27241 | 54 | 2 | p. 15 | 33683B | 305 | 1 | p. 21 | 590646 | 301 | 1 | p. 21 | |
| 27554 | 18 | 1 | p. 25 | 33691 | 97 | 1 | p. 17 | 590647 | 11 | 1 | p. 23 | |
| 27642 | 3 | 1 | p. 15 | 33696 | 55 | 1 | p. 15 | 610118 | 163 | 1 | p. 17 | |
| 27666 | 87 | 1 | p. 17 | 33697A | 229 | 1 | p. 19 | 610961 | 181 | 1 | p. 17 | |
| 27677A | 57 | 1 | p. 15 | 33858A | 22 | 1 | p. 15 | 610973 | 25 | 1 | p. 15 | |
| 27897 | 59 | 1 | p. 15 | 34080 | 160 | 1 | p. 17 | 610973 | 145 | 1 | p. 17 | |
| 28277 | 8 | 1 | p. 15 | 34126 | 187 | 1 | p. 17 | 611081 | 165 | 1 | p. 17 | |
| 28371B | 217 | 1 | p. 19 | 34146 | 90 | 1 | p. 17 | 630735 | 8 | 1 | p. 25 | |
| 28545 | 188 | 1 | p. 17 | 34182 | 219 | 1 | p. 19 | 630738 | 5 | 1 | p. 25 | |
| 28545 | 188 | 2 | p. 19 | 34212 | 185 | 1 | p. 17 | 630739 | 27 | 2 | p. 25 | |
| 28820 | 141 | 2 | p. 17 | 34443A | 162 | 1 | p. 17 | 630740 | 23 | 2 | p. 25 | |
| 29193 | 74 | 2 | p. 15 | 34582 | 142 | 1 | p. 17 | 630748 | 10 | 1 | p. 25 | |
| 29212 | 211 | 2 | p. 19 | 34583 | 140 | 1 | p. 17 | 630766 | 5 | 2 | p. 25 | |
| 29313C | 83 | 1 | p. 17 | 34674C | 58 | 1 | p. 15 | 631021 | 12 | 1 | p. 25 | |
| 29745 | 197 | 1 | p. 19 | 34678 | 58 | 1 | p. 15 | 631022 | 13 | 1 | p. 25 | |
| 29752 | 95 | 2 | p. 17 | 34694 | 270 | 1 | p. 21 | 631024 | 15 | 1 | p. 25 | |
| 29774 | 254 | 1 | p. 19 | 34740 | 46 | 1 | p. 15 | 631027 | 11 | 1 | p. 25 | |
| 30063 | 232 | 1 | p. 19 | 34846 | 46 | 1 | p. 15 | 631028 | 25 | 1 | p. 25 | |
| 30200 | 93 | 2 | p. 17 | 35062 | 144 | 1 | p. 17 | 631036 | 3 | 1 | p. 25 | |
| 30200 | 186 | 1 | p. 17 | 35072 | 147 | 1 | p. 17 | 631615 | 1 | 1 | p. 25 | |
| 30318 | 60 | 1 | p. 15 | 35285 | 146 | 1 | p. 17 | 631767 | 2 | 1 | p. 25 | |
| 30322 | 32 | 1 | p. 15 | 35350 | 91 | 1 | p. 17 | 631776 | 1 | 1 | p. 25 | |
| 30574 | 72 | 1 | p. 15 | 35355 | 250 | 1 | p. 19 | 631778 | 3 | 1 | p. 25 | |
| 30588A | 73 | 1 | p. 15 | 35392 | 277 | 1 | p. 21 | 631807 | 26 | 1 | p. 25 | |
| 30590A | 70 | 1 | p. 15 | 35438 | 143 | 1 | p. 17 | 631815 | 9 | 1 | p. 25 | |
| 30591 | 71 | 1 | p. 15 | 35440 | 35 | 1 | p. 15 | 631838 | 24 | 1 | p. 25 | |
| 30705 | 256 | 1 | p. 21 | 35479 | 70 | 1 | p. 15 | 631951 | 16 | 1 | p. 25 | |
| 30968 | 5 | 1 | p. 15 | 35499 | 77 | 1 | p. 17 | 631970 | 2 | 1 | p. 25 | |
| 30969 | 6 | 1 | p. 15 | 35539 | 79 | 1 | p. 17 | 632019 | 14 | 1 | p. 25 | |
| 31334 | 9 | 1 | p. 15 | 35541 | 48 | 1 | p. 15 | 632107A | 0 | 1 | p. 25 | |
| 31335 | 11 | 1 | p. 15 | 35547 | 49 | 1 | p. 15 | 632107A | 300 | 1 | p. 21 | |
| 31342 | 23 | 1 | p. 15 | 35554 | 76 | 1 | p. 15 | 632108 | 7 | 1 | p. 25 | |
| 31410 | 88 | 1 | p. 17 | 35556 | 78 | 1 | p. 17 | 632112 | 7 | 1 | p. 25 | |
| 31426 | 28 | 1 | p. 15 | 35557 | 184 | 1 | p. 17 | 632113A | 0 | 1 | p. 25 | |
| 31510 | 10 | 1 | p. 15 | 35584 | 249 | 1 | p. 19 | 632113A | 300 | 1 | p. 21 | |
| 31672 | 85 | 2 | p. 17 | 35656 | 201 | 1 | p. 19 | 632164 | 26 | 1 | p. 25 | |
| 31673 | 86 | 2 | p. 17 | 35771 | 229 | 1 | p. 19 | 632174 | 9 | 1 | p. 25 | |
| 31839 | 20 | 1 | p. 25 | 35857 | 255 | 1 | p. 21 | 632239 | 20 | 1 | p. 25 | |
| 31840 | 28 | 1 | p. 25 | 35883 | 204 | 1 | p. 19 | 632281 | 24 | 1 | p. 25 | |
| 32180C | 203 | 1 | p. 19 | 36247 | 217 | 1 | p. 19 | 632334A | 0 | 1 | p. 25 | |
| 32323 | 56 | 1 | p. 15 | 36441 | 192 | 1 | p. 19 | 632347 | 28 | 1 | p. 25 | |
| 32600 | 7 | 1 | p. 15 | 36443 | 191 | 1 | p. 19 | 632511A | 0 | 1 | p. 25 | |
| 32610A | 53 | 2 | p. 15 | 36444 | 305 | 1 | p. 21 | 632512 | 1 | 1 | p. 25 | |
| | | | | 570682 | 202 | 1 | p. 19 | 632513 | 7 | 1 | p. 25 | |

| code | pos. | q.ty | page |
|-------------|-------------|-------------|-------------|
| 632514 | 9 | 1 | p. 25 |
| 632517 | 3 | 1 | p. 25 |
| 632527 | 26 | 1 | p. 25 |
| 650128 | 93 | 2 | p. 17 |
| 650128 | 198 | 1 | p. 19 |
| 650128 | 198 | 2 | p. 19 |
| 650139 | 31 | 1 | p. 15 |
| 650168 | 210 | 1 | p. 19 |
| 650168 | 275 | 1 | p. 21 |
| 650257 | 148 | 2 | p. 17 |
| 650327 | 230 | 2 | p. 19 |
| 650417 | 6 | 1 | p. 25 |
| 650488 | 75 | 7 | p. 15 |
| 650506 | 4 | 2 | p. 25 |
| 650548 | 12 | 1 | p. 15 |
| 650549 | 24 | 1 | p. 15 |
| 650561 | 21 | 2 | p. 15 |
| 650664 | 101 | 2 | p. 17 |
| 650665 | 251 | 2 | p. 19 |
| 650675 | 220 | 1 | p. 19 |
| 650691 | 194 | 1 | p. 19 |
| 650691 | 194 | 6 | p. 19 |
| 650694A | 218 | 1 | p. 19 |
| 650694A | 218 | 5 | p. 19 |
| 650701 | 205 | 1 | p. 19 |
| 650735 | 149 | 1 | p. 17 |
| 650760 | 189 | 1 | p. 19 |
| 650760 | 189 | 2 | p. 19 |
| 650805 | 221 | 1 | p. 19 |
| 650814 | 164 | 2 | p. 17 |
| 650815 | 182 | 1 | p. 17 |
| 650818 | 195 | 1 | p. 19 |
| 650818 | 195 | 6 | p. 19 |
| 650863 | 183 | 1 | p. 17 |
| 650870 | 100 | 1 | p. 17 |
| 650872 | 161 | 2 | p. 17 |
| 650884 | 274 | 2 | p. 21 |
| 650926 | 205 | 1 | p. 19 |
| 650926 | 274 | 2 | p. 21 |