



**Reservdelskatalog  
Parts Catalogue**

**ST1232 (S N)**

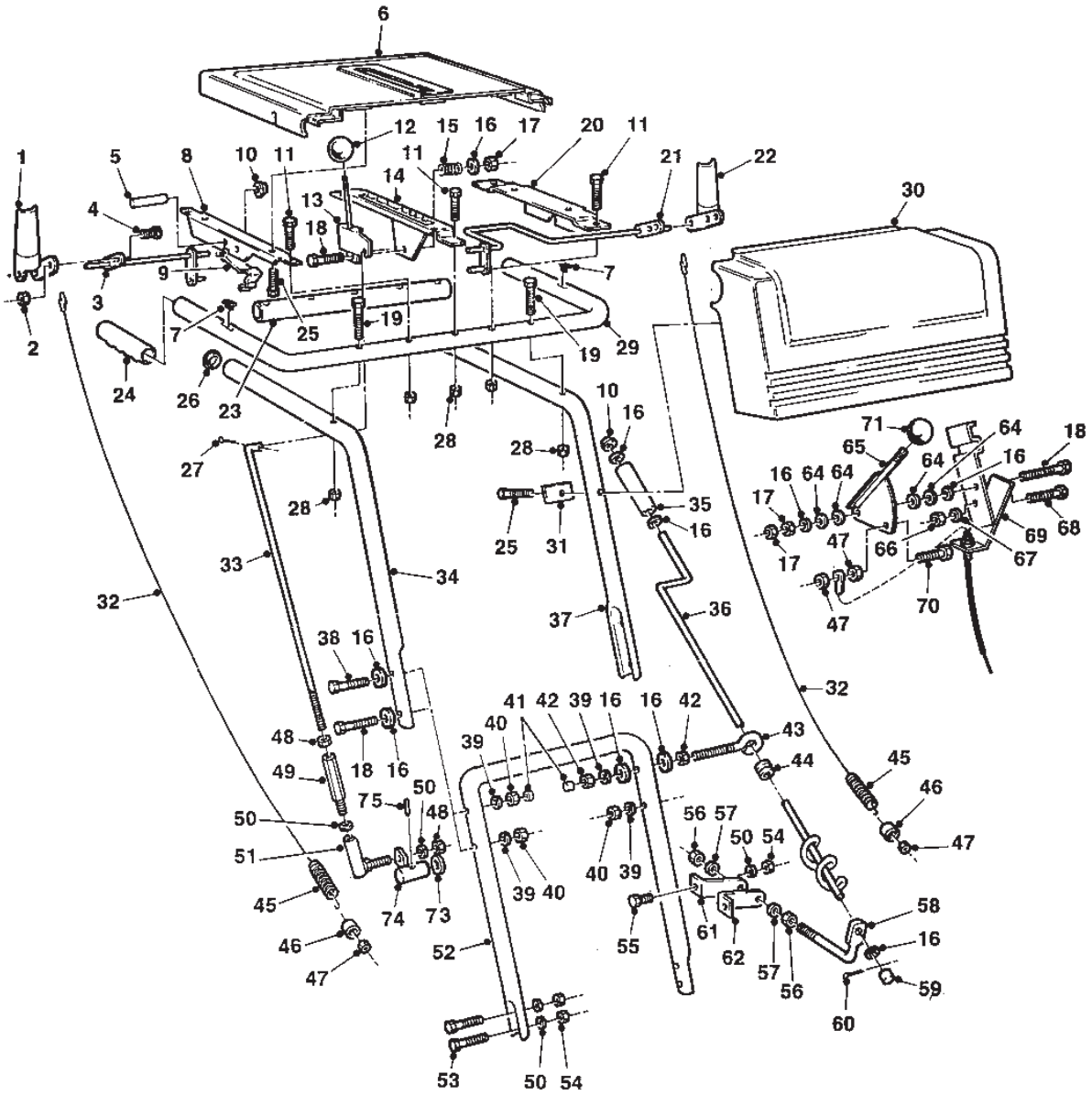
**18-1822-14 - Season 1989**

- Use GLOBAL GARDEN PRODUCT Genuine Spare Parts specified in the parts list for repair and/or replacement.
  - The contents described in the parts list may change due to improvement.
  - The drawings of the spare parts are only indicative and might not represent the part in question exactly.
  - The indications "right" - "left" - "front" - "rear" refer to the position of the operator when using the machine.
- When placing orders of parts for repair and/or replacement, make sure that the illustrated parts list is the one applying to the machine's year of manufacture, as shown on the identification plate attached to the machine.

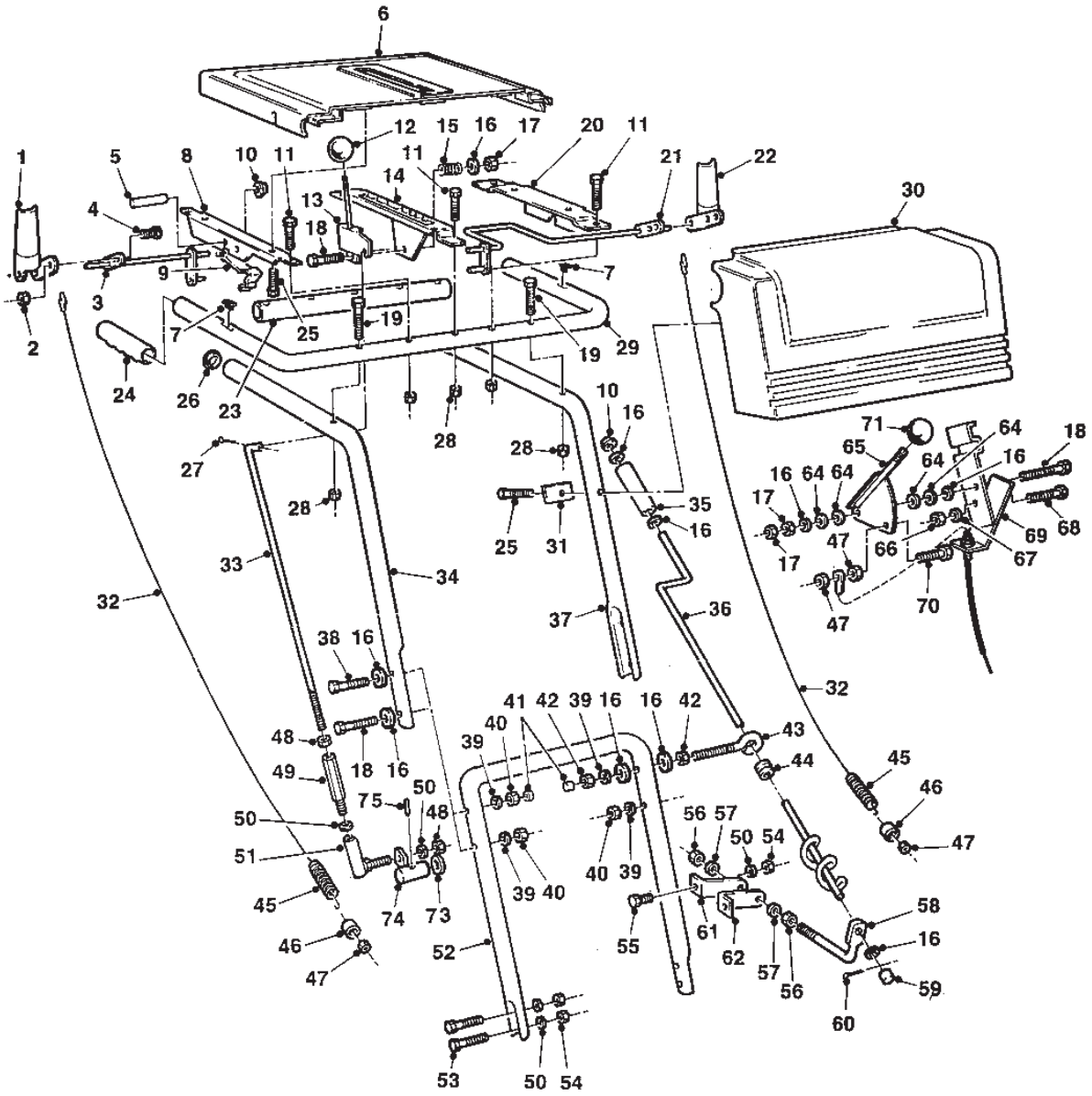
© Copyright 2014 Global Garden Products

All rights reserved. No part of this material may be reproduced or transmitted, in any form or by any means, electronic or mechanical, including photocopying, recording or by any information storage and retrieval system, without permission in writing from GLOBAL GARDEN PRODUCTS.

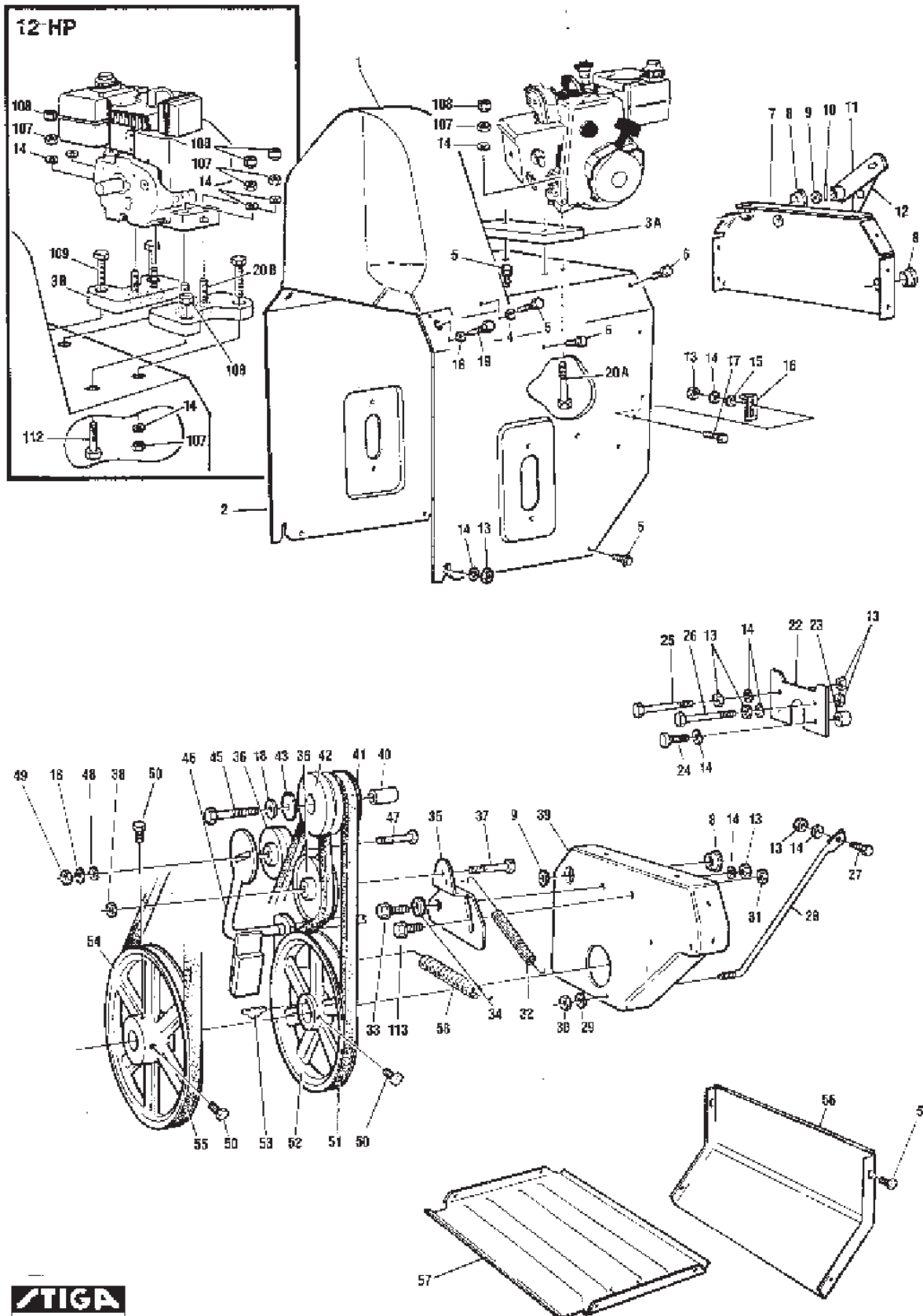
[www.stiga.com](http://www.stiga.com)



Utgåva Issue 32 - 2014		Styre Reglage		Handle Controls	
Pos. Fig.	Antal Q.ty	Art nr Part No	Benämning	Description	Anmärkning Notes
44	1	1812-0203-01	Bussning	Bushing	
45	2	1812-0253-01	Fjäder	Spring	
51	1	1812-0303-01	Kulled	Ball Joint	
15	1	1812-0304-01	Fjäder	Spring	
71	1	1812-0376-01	Reglagekula	Knob	
43	1	1812-0394-01	Öglebult	Eyebolt	
7	2	1812-0520-01	Skydd	Protection	
52	1	1812-0553-01	Däck-underdel   Styre-underdel	Handle Lower Part	
36	1	1812-0570-01	Inställningsvev	Chute Crank	
49	1	1812-0622-01	Skruvhylsa	Adaptor	
59	1	1812-0646-01	Plastknopp	Plastic cap	
10	3	1812-0649-01	Låsknopp	Cap Retainer	
33	1	1812-0666-01	Växlestång	Rod Speed Control	
25	6	1812-0670-01	Bult	Bolt	
62	1	1812-0673-01	Fäststag Vä	Bracket Chute Rotate L.H	
61	1	1812-0674-01	Fäststag Hö	Bracket Chute Rotate R.H	
58	1	1812-0675-01	Stag	Rod Chute Control	
37	1	1812-0689-01	Styrrör-vä	Upper Handle L.H	
34	1	1812-0690-01	Styrrör Hö	Upper Handle R.H	
26	2	1812-0692-01	PlastPlugg	Plastic End Plug	
14	1	1812-0693-01	Panelstöd	Control Panel Support	
13	1	1812-0701-01	Växelspak	Handle Speed Control	
31	2	1812-0705-01	Fjäderbleck	Spring Clip	
12	1	1812-0706-01	Reglagekula	Knob	
69	1	1812-0712-01	1Irefäste	Remote Cable Bracket	
30	1	1812-0713-01	Panel-främre	Control Panel Front	
65	1	1812-0715-01	Inställningsspak	Lever	
4	2	1812-0821-01	Skruv	Carriage Bolt	
5	1	1812-0823-01	Stift	Pin	
46	2	1812-0824-01	Distans	Spacer	
41	2	1812-0830-01	Plastknopp	Plastic Stop	
35	1	1812-0832-01	Handtag	Crank Handle	
9	1	1812-0834-01	Låsfjäder	Cam Lock Spring	
22	1	1812-0888-01	Kopplingshandtag Vä	Hand Control L.H.	
1	1	1812-0889-01	Kopplingshandtag Hö	Hand Control R.H	
29	1	1812-0890-01	Styrbygel	Upper Handle Loop	
23	1	1812-0891-01	Tvårrör	Cross Bar	
20	1	1812-0892-01	Fäste	Bracket	
21	1	1812-0893-01	Spärrstång Vä	Bail Rod L.H	
3	1	1812-0894-01	Spärrstång Hö	Bail Rod R.H	
8	1	1812-0895-01	Fäste	Bracket	
32	2	1812-0943-01	Kopplingswire	Clutch Cable	
24	2	1812-0955-01	Handtag	Handle Grip	
6	1	1812-0975-01	Panel-övre	Control panel-top	
27	1	9599-0054-02	SaxSprint	Split Pin	
60	1	9599-0054-02	SaxSprint	Split Pin	
67	1	9683-0025-02	Bricka	Washer	
50	8	9683-0030-02	Bricka	Washer	
39	4	9683-0035-02	Bricka	Washer	

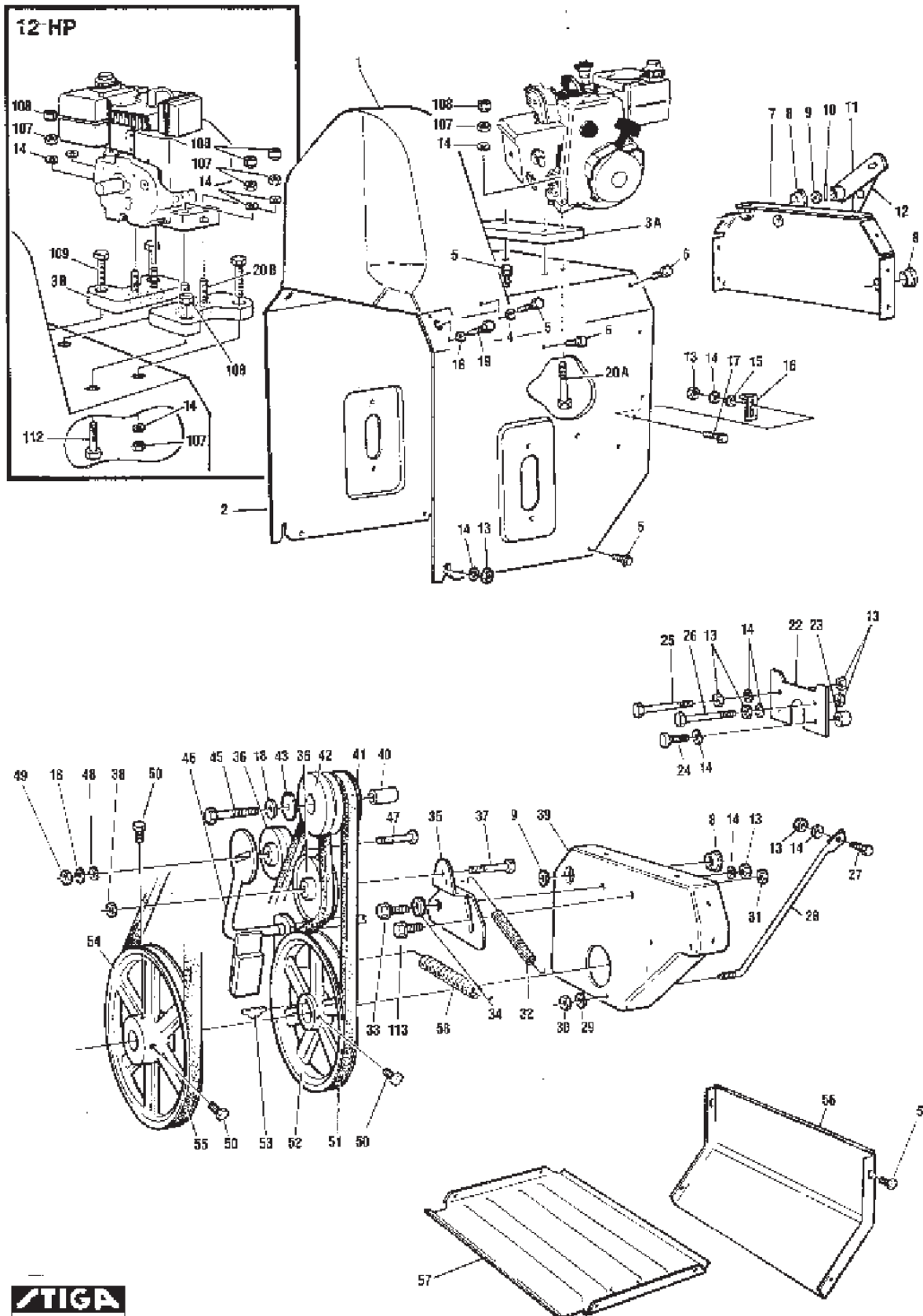


Utgåva Issue 32 - 2014		Styre Reglage		Handle Controls	
Pos. Fig.	Antal Q.ty	Art nr Part No	Benämning	Description	Anmärkning Notes
57	2	9683-0055-02	Bricka	Washer	
16	10	9699-0029-02	Bricka	Washer	
47	4	9743-3521-32	Mutter	Nut	
2	2	9743-3521-32	Mutter	Nut	
28	10	9743-3621-32	Mutter	Nut	
17	3	9743-3721-32	Mutter	Nut	
42	2	9743-3721-32	Mutter	Nut	
56	2	9743-5421-32	Mutter	Nut	
48	2	9794-5131-02	Mutter	Nut	
66	1	9795-3531-02	Mutter	Nut	
54	6	9795-3631-02	Mutter	Nut	
40	3	9795-3731-02	Mutter	Nut	
55	2	9899-3622-16	Skruv	Screw	
68	1	9988-3519-16	Skruv	Screw	
70	1	9988-3525-16	Skruv	Screw	
53	4	9988-3619-16	Skruv	Screw	
11	6	9988-3645-16	Skruv	Screw	
19	4	9988-3670-12	Skruv	Screw	
18	4	9988-3745-12	Skruv	Screw	
38	1	9988-3764-12	Skruv	Screw	



**STIGA**  
135E  
SPARE PARTS

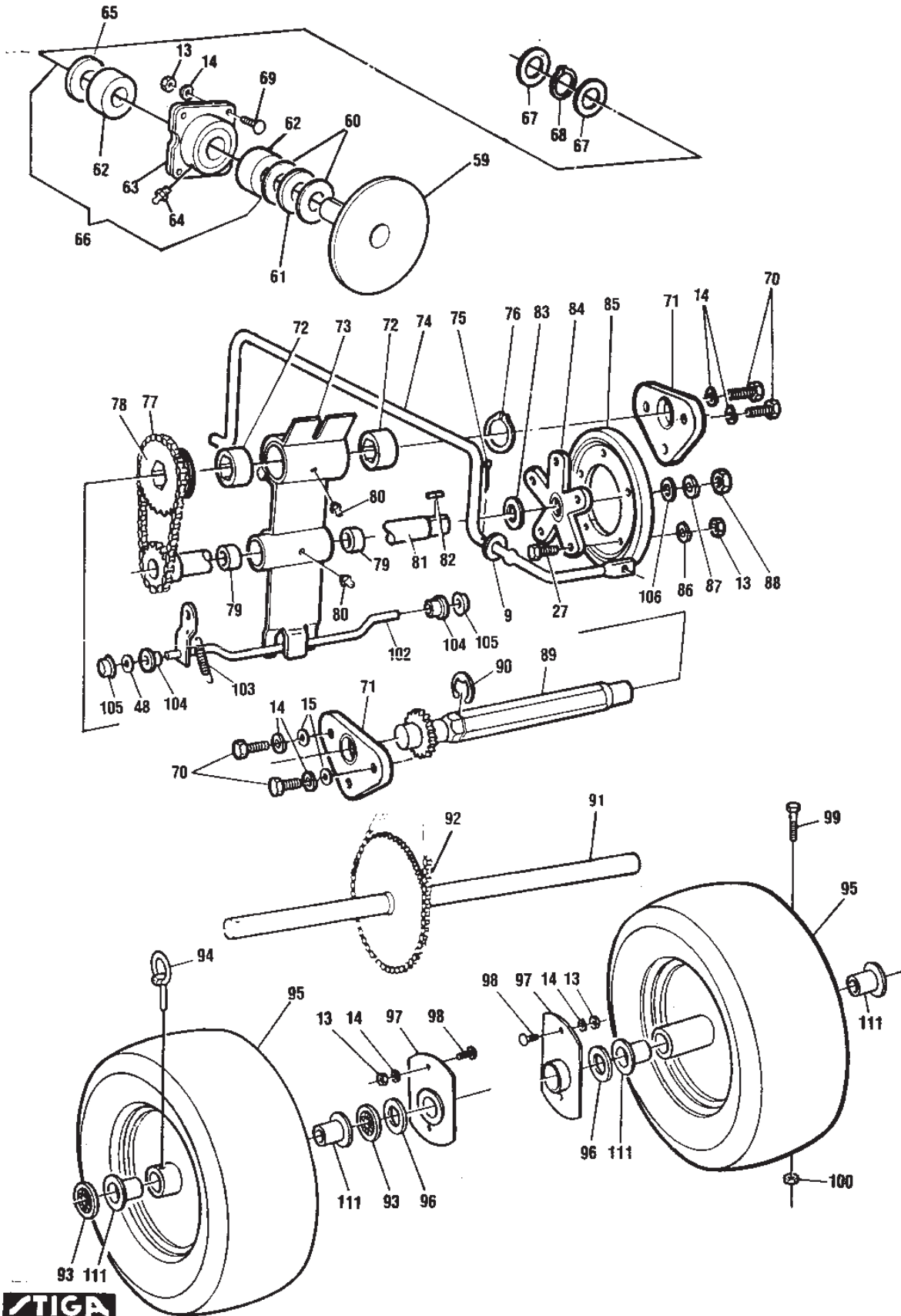
Utgåva Issue 32 - 2014		Remtransmission		Belt Transmission	
Pos. Fig.	Antal Q.ty	Art nr Part No	Benämning	Description	Anmärkning Notes
1	1	1812-0207-01	Remskydd	Belt Protection	
46	1	1812-0208-01	Tensioning arm	Tensioning arm	
43	1	1812-0283-01	Bricka	Washer	
33	1	1812-0300-01	Bult	Bolt	
52	1	1812-0306-01	Remskiva	Pulley	7"
53	1	1812-0307-01	Kil	Key	
54	1	1812-0308-01	Remskiva	Pulley	8.4"
23	2	1812-0317-01	Distans	Spacer	
28	1	1812-0319-01	Stång	Rod	
32	1	1812-0321-01	Fjäder	Spring	
36	2	1812-0322-01	Spännrulle	Tension Roller	
8	3	1812-0328-01	Bussning	Bushing	
16	1	1812-0331-01	Fäste	Bracket	
41	1	1812-0333-01	Pulley	Pulley	
42	1	1812-0334-01	Remskiva	Pulley	
5	11	1812-0384-01	Skruv	Screw	
6	11	1812-0385-01	Skruv	Screw	
113	1	1812-0387-01	Skruv	Screw	
10	1	1812-0401-01	Stift	Pin	
35	1	1812-0421-01	Fäste	Bracket	
57	1	1812-0422-01	Bottom panel	Bottom panel	
56	1	1812-0424-01	Plåt	Plate	
22	1	1812-0427-01	Platta	Plate	
11	1	1812-0446-01	Hävarm	Lever	
12	1	1812-0447-01	Hävarm	Lever	
2	1	1812-0554-01	Chassie	Chassie	
7	1	1812-0555-01	Plat	Plate	
25	1	1812-0628-01	Bult	Bolt	
58	1	1812-0661-01	Fjäder	Spring	
40	1	1812-0720-01	Distans	Spacer	
39	1	1812-0727-01	Fästplatta	Spindle Plate	
3B	1	1812-0905-01	Motordistans	Engine Riser	
50	3	1812-1119-01	Bult	Bolt	
26	1	1812-1124-01	Remstyrning	Belt Guide	
112	1	1812-1128-01	Bult	Bolt	
55	1	1812-9014-01	Kilrem	V-Belt	Snöskruv
51	1	1812-9015-01	Kilrem	V-Belt	Hjuldrivninh
29	1	9683-0025-02	Bricka	Washer	
14	16	9683-0030-02	Bricka	Washer	
18	4	9683-0035-02	Bricka	Washer	
4	3	9699-0026-02	Bricka	Washer	
15	1	9699-0028-02	Bricka	Washer	
48	1	9699-0029-02	Bricka	Washer	
9	2	9699-0038-02	Bricka	Washer	
34	1	9699-0069-02	Bricka	Washer	
31	1	9743-3621-32	Mutter	Nut	
38	1	9743-3721-32	Mutter	Nut	
49	1	9743-3721-32	Mutter	Nut	
108	5	9743-5121-02	Mutter	Nut	



**STIGA**  
135E  
SPARE PARTS

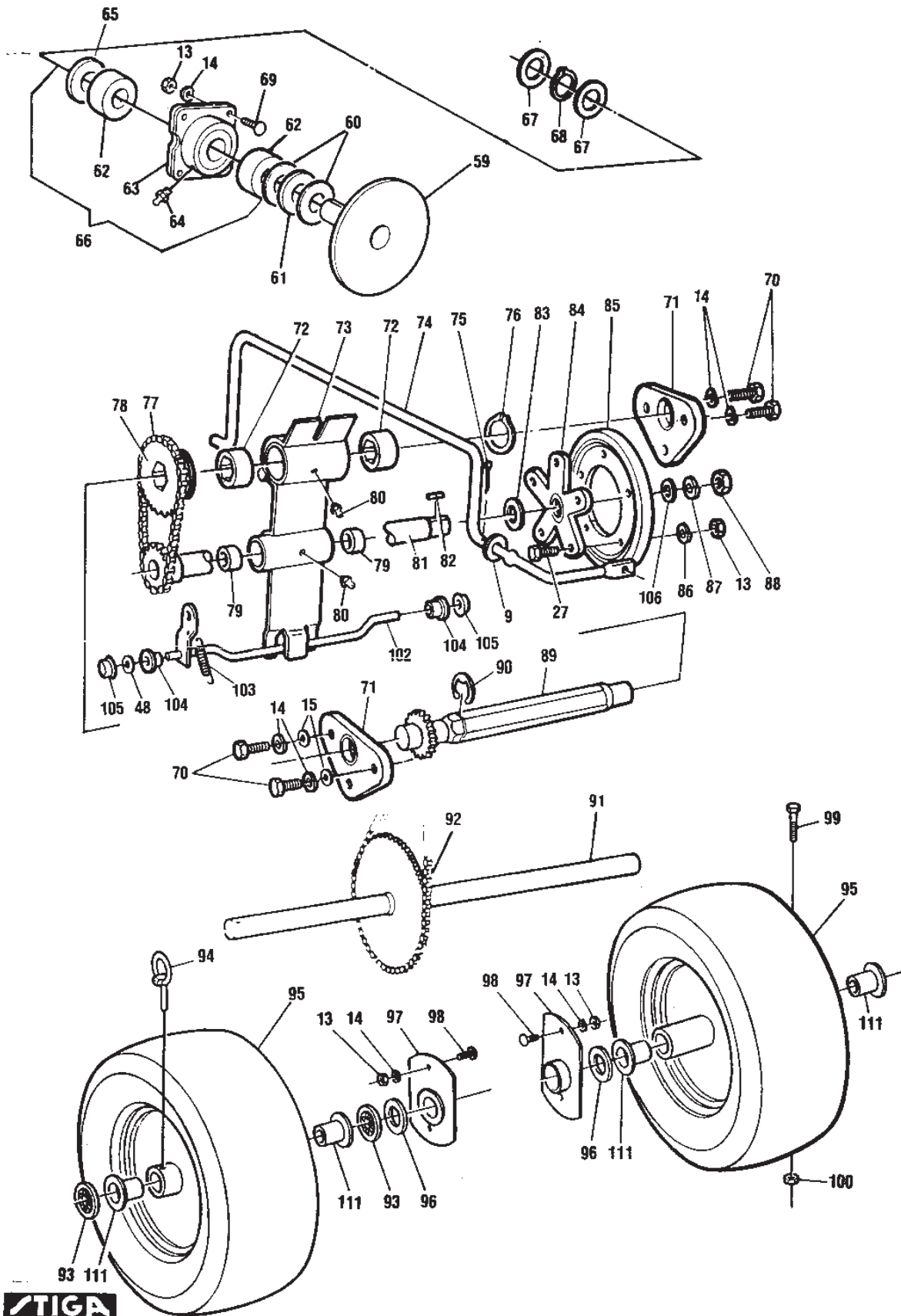


Utgåva Issue 32 - 2014		Remtransmission				Belt Transmission
Pos. Fig.	Antal Q.ty	Art nr Part No	Benämning	Description	Anmärkning Notes	
107	7	9794-5131-02	Mutter	Nut		
30	1	9795-3531-02	Mutter	Nut		
13	9	9795-3631-02	Mutter	Nut		
17	1	9899-3622-16	Skruv	Screw		
109	3	9987-5125-16	Skruv	Screw		
24	2	9987-5125-16	Skruv	Screw		
20B	4	9987-5157-12	Skruv	Screw		
45	1	9987-5232-16	Skruv	Screw		
27	1	9988-3619-16	Skruv	Screw		
19	2	9988-3725-16	Skruv	Screw		
37	1	9988-3732-12	Skruv	Screw		
47	1	9988-3738-12	Skruv	Screw		

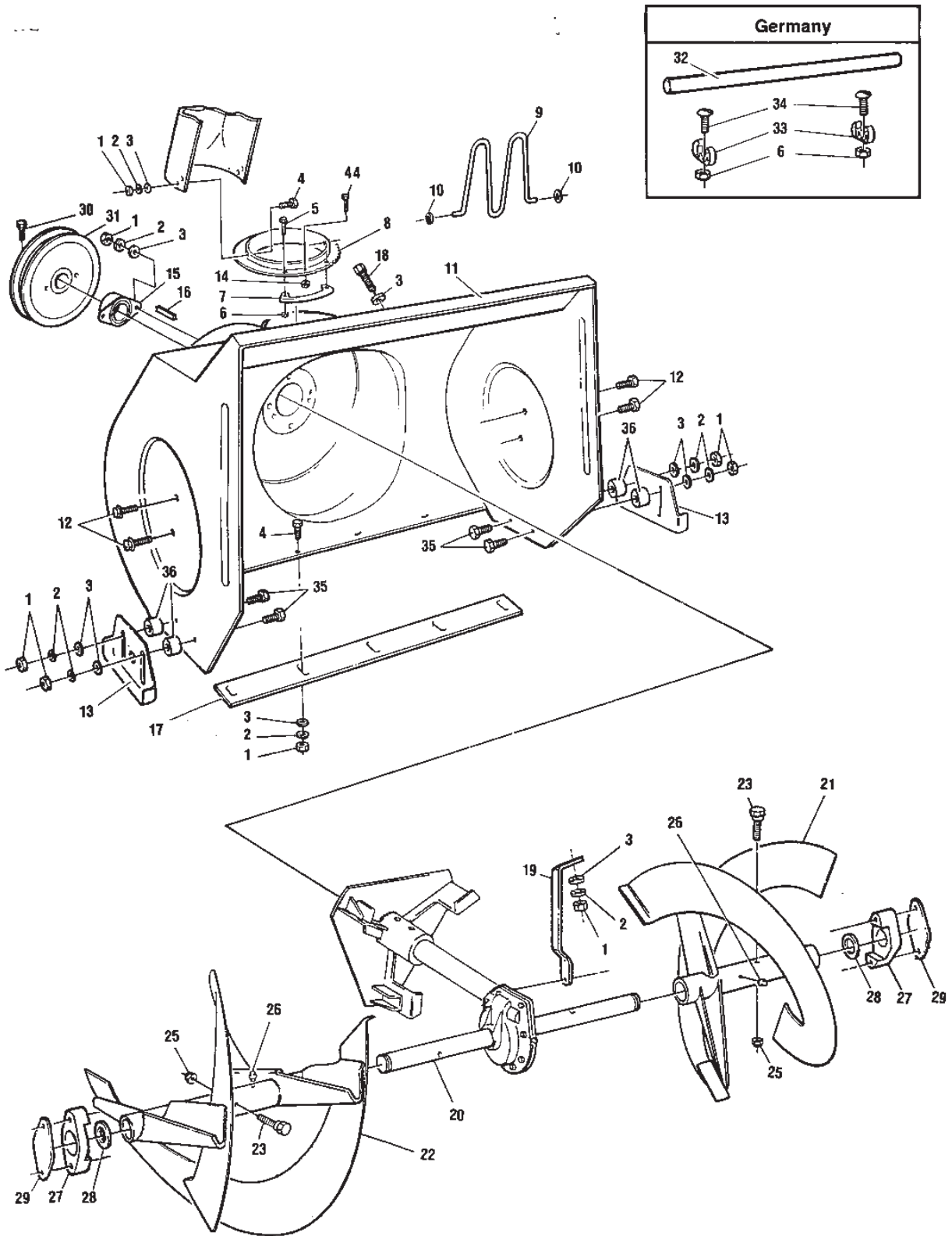


**STIGA**  
136D  
SPARE PARTS

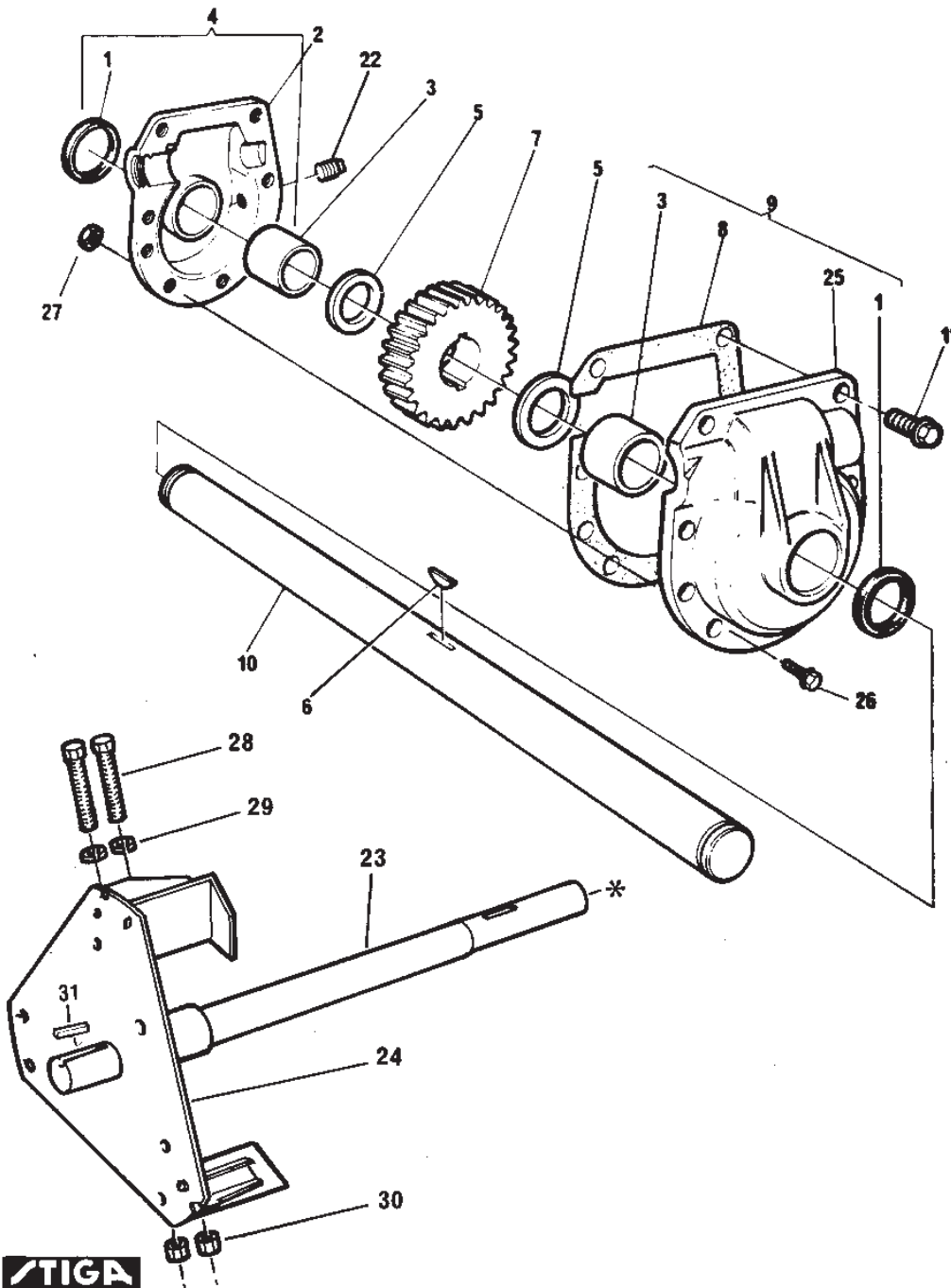
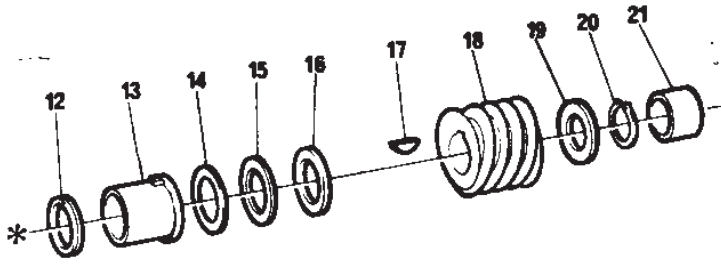
Utgåva Issue 32 - 2014		Framdrivning Drive Train			
Pos. Fig.	Antal Q.ty	Art nr Part No	Benämning	Description	Anmärkning Notes
86	5	9677-0009-02			
71	2	1812-0241-01	Bearing	Bearing	
80	2	1812-0280-01	Smörjnippel	Grease fitting	
65	1	1812-0281-01	Packning	Gasket	
67	2	1812-0282-01	Bricka	Washer	
60	2	1812-0284-01	Bricka	Washer	
61	1	1812-0285-01	Nållager	Needle Bearing	
68	1	1812-0286-01	Retainer ring	Retainer ring	
62	2	1812-0287-01	Lager	Bearing	
63	1	1812-0288-01	SHårnålssprintdelhus	Spindle Housing	
83	1	1812-0290-01	Bricka	Washer	
72	2	1812-0291-01	Lager	Bearing	
76	1	1812-0293-01	Låsring	Retaining Ring	
104	2	1812-0294-01	Bussning	Bushing	
74	1	1812-0320-01	Växelstag	Rod	
64	1	1812-0324-01	Smörjnippel	Grease Fitting	
103	1	1812-0330-01	Fjäder	Spring	
82	1	1812-0393-01	Kil	Key	
96	2	1812-0407-01	Bricka	Washer	
94	1	1812-0408-01	Låssprint	Clik Pin	
66	1	1812-0418-01	SHårnålssprintdel Kpl	Spindle Assy	
73	1	1812-0429-01	Kopplingsplatta	Plate	
59	1	1812-0430-01	Anslutning-HÖ	Exhaust Discharge Tube Right	
102	1	1812-0438-01	Axel	Shaft	
89	1	1812-0521-01	Axel	Shaft	
90	1	1812-0525-01	Låsring	Retaining Ring	
93	2	1812-0567-01	Låsning   Bricka	Retainer ring   Washer	
92	1	1812-0571-01	Kedja	Chain	
84	1	1812-0582-01	Nav	Hub	
77	1	1812-0583-01	Kedja	Chain	
78	1	1812-0586-01	Drev	Worm Gear	
97	2	1812-0601-01	Axelfäste	Axle Bracket (19Mm)	
91	1	1812-0619-01	Axel	Shaft	
81	1	1812-0625-01	Axel	Shaft	
95A	1	1812-0636-01	Snökedjor Mod.828-1132	Snow Chain Mod.828-1132	
105	2	1812-0649-01	Låsknopp	Cap Retainer	
106	1	1812-0660-01	Bricka   Fjäderbricka	Elastic Washer   Spring Washer	
79	2	1812-0719-01	Lager	Bearing	
111	4	1812-1073-01	Bussning	Bushing	
95	2	1812-1127-01	Hjul	Wheel	4.80 x 4.00
85	1	1812-9003-01	Friktionshjul	Friction Disc	
75	1	9599-0054-02	SaxSprint	Split Pin	
14	14	9683-0030-02	Bricka	Washer	
87	1	9683-0035-02	Bricka	Washer	
15	3	9699-0028-02	Bricka	Washer	
48	1	9699-0029-02	Bricka	Washer	
9	1	9699-0038-02	Bricka	Washer	
100	1	9743-3521-32	Mutter	Nut	
88	1	9794-5231-02	Mutter	Nut	



Utgåva Issue 32 - 2014		Framdrivning Drive Train			
Pos. Fig.	Antal Q.ty	Art nr Part No	Benämning	Description	Anmärkning Notes
13	13	9795-3631-02	Mutter	Nut	
69	4	9899-3622-16	Skruv	Screw	
98	4	9899-3622-16	Skruv	Screw	
99	1	9988-3538-12	Skruv	Screw	
70	6	9988-3613-16	Skruv	Screw	
27	5	9988-3619-16	Skruv	Screw	

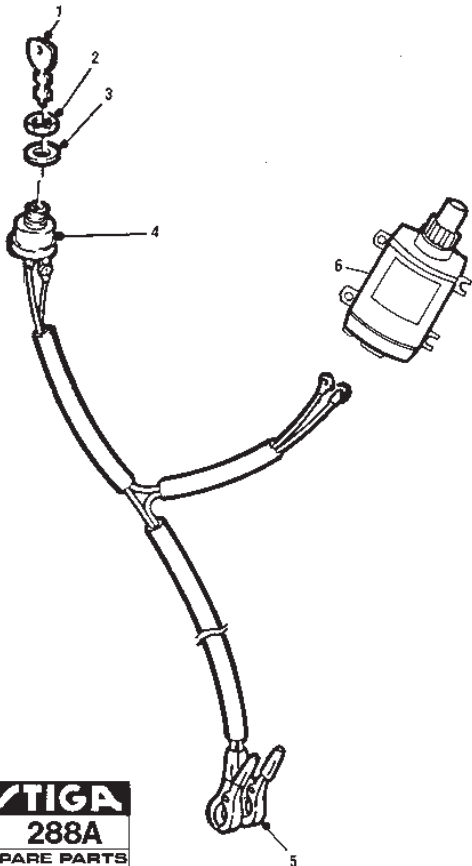
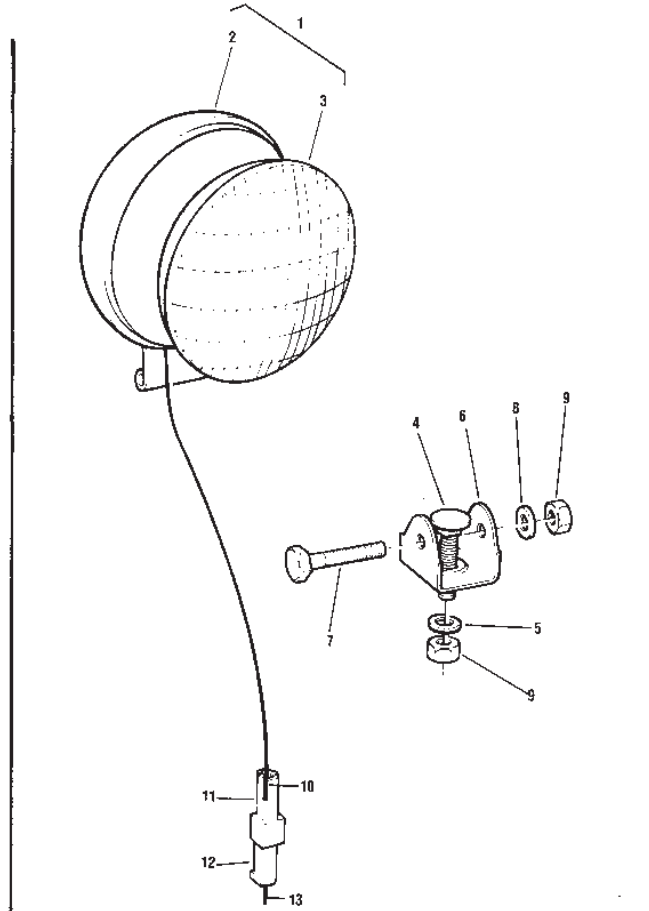
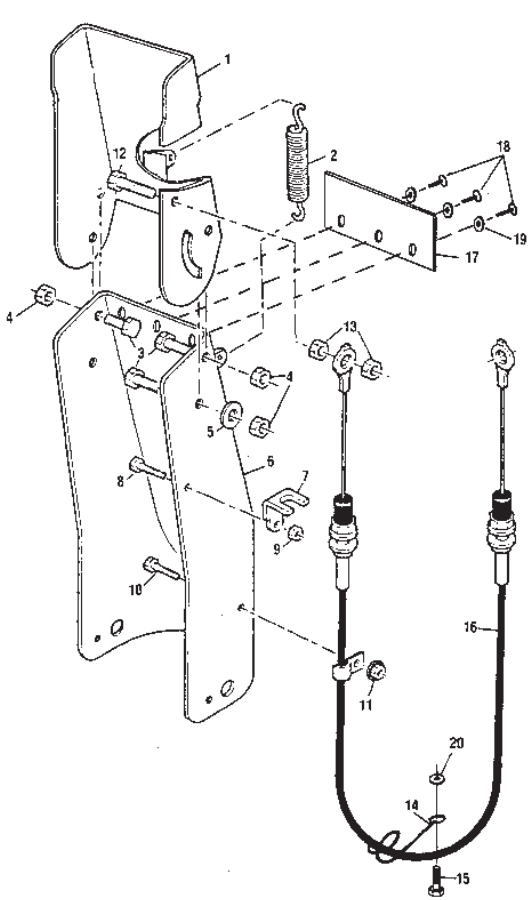


Utgåva Issue 32 - 2014		Slungenhet Auger Assy			
Pos. Fig.	Antal Q.ty	Art nr Part No	Benämning	Description	Anmärkning Notes
9	1	1812-0231-01	Utkastskydd	Chute Protection	
20	1	1812-0239-01	Gear box assy	Gear box assy	
8	1	1812-0255-01	Krans	Flange	
26	2	1812-0274-01	Smörjnippel	Grease Fitting	
28	2	1812-0301-01	Distans	Spacer	
31	1	1812-0308-01	Remskiva	Pulley	8.4"
32	1	1812-0315-01	Clean out stick	Clean out stick	Tyskland
33	2	1812-0316-01	Klämma	Clamp	
27	2	1812-0347-01	Lager	Bearing	
12	4	1812-0387-01	Skruv	Screw	
5	6	1812-0388-01	Skruv	Screw	
6	6	1812-0389-01	Mutter	Nut	
17	1	1812-0419-01	Skrapskär	Scraper Bar	
7	3	1812-0423-01	Hållare	Holder	
11	1	1812-0552-01	Augerhousing	Augerhousing	
16	1	1812-0626-01	Kil	Key	
29	2	1812-0640-01	Distans	Spacer	
21	1	1812-0650-01	Snöskruv Vä	Auger L.H	
22	1	1812-0651-01	Snöskruv Hö	Auger R.H	
19	1	1812-0663-01	Stag	Gear Box Brace	
34	2	1812-0728-01	Bult	Bolt	
36	4	1812-0730-01	Distans	Spacer	
13	2	1812-0831-01	Släpsko	Height Adjustor	
15	1	1812-0883-01	Lager	Bearing	
10	2	1812-1143-01	Låsring	Grip Ring	
23	1	1812-9006-01	Brytbultsats	Shear Bolt Kit	
2	14	9683-0030-02	Bricka	Washer	
3	14	9699-0028-02	Bricka	Washer	
14	1	9743-3521-32	Mutter	Nut	
1	14	9795-3631-02	Mutter	Nut	
4	7	9899-3622-16	Skruv	Screw	
35	4	9899-3632-12	Skruv	Screw	
44	1	9988-3525-16	Skruv	Screw	
30	2	9988-3619-16	Skruv	Screw	
18	1	9988-3625-16	Skruv	Screw	

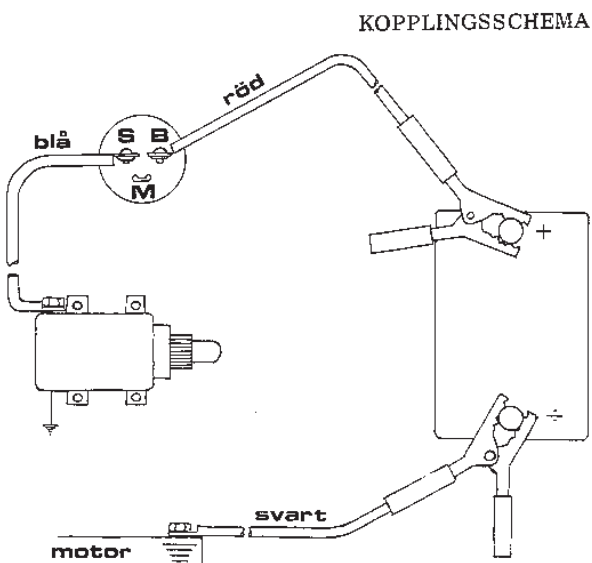




Utgåva Issue 32 - 2014		Snäckväxel Auger Gear Box			
Pos. Fig.	Antal Q.ty	Art nr Part No	Benämning	Description	Anmärkning Notes
8	1	1812-0226-01	Packning	Gasket	
2	1	1812-0227-01	Snäckväxelhus-vä	Gear case-LH   Gear Housing, Left	
4	1	1812-0227-01	Snäckväxelhus-vä	Gear case-LH   Gear Housing, Left	Inkl.pos 1,2,3
9	1	1812-0228-01	Snäckväxelhus-hö	Gear case-RH   Gear Housing, Right	Inkl.pos 1,3,25
25	1	1812-0228-01	Snäckväxelhus-hö	Gear case-RH   Gear Housing, Right	
23	1	1812-0237-01	Fläktaxel	Impeller Shaft	
10	1	1812-0238-01	Axel	Shaft	
0	1	1812-0239-01	Gear box assy	Gear box assy	
19	1	1812-0284-01	Bricka	Washer	
20	1	1812-0286-01	Retainer ring	Retainer ring	
21	1	1812-0297-01	Lager	Bearing	
17	1	1812-0307-01	Kil	Key	
7	1	1812-0335-01	Drev	Worm Gear	
18	1	1812-0336-01	Snäckdrev	Gear	
16	1	1812-0337-01	Bricka	Washer	
15	1	1812-0338-01	Nållager	Needle Bearing	
14	1	1812-0339-01	Bricka	Washer	
13	1	1812-0340-01	Lager	Bearing	
12	1	1812-0341-01	Tätningring	Ring	
3	2	1812-0343-01	Lager	Bearing	
1	2	1812-0344-01	Tätningring	Ring	
5	2	1812-0345-01	Bricka	Washer	
22	1	1812-0346-01	OljePlugg	Oil Plug	
6	1	1812-0409-01	Woodruffkil	Woodruff Key	
24	1	1812-0426-01	Fläkt	Fan	
29	2	9699-0026-02	Bricka	Washer	
30	2	9743-3521-32	Mutter	Nut	
27	8	9743-5121-02	Mutter	Nut	
26	7	9987-5125-16	Skruv	Screw	
11	1	9987-5145-12	Skruv	Screw	
28	2	9988-3557-12	Skruv	Screw	



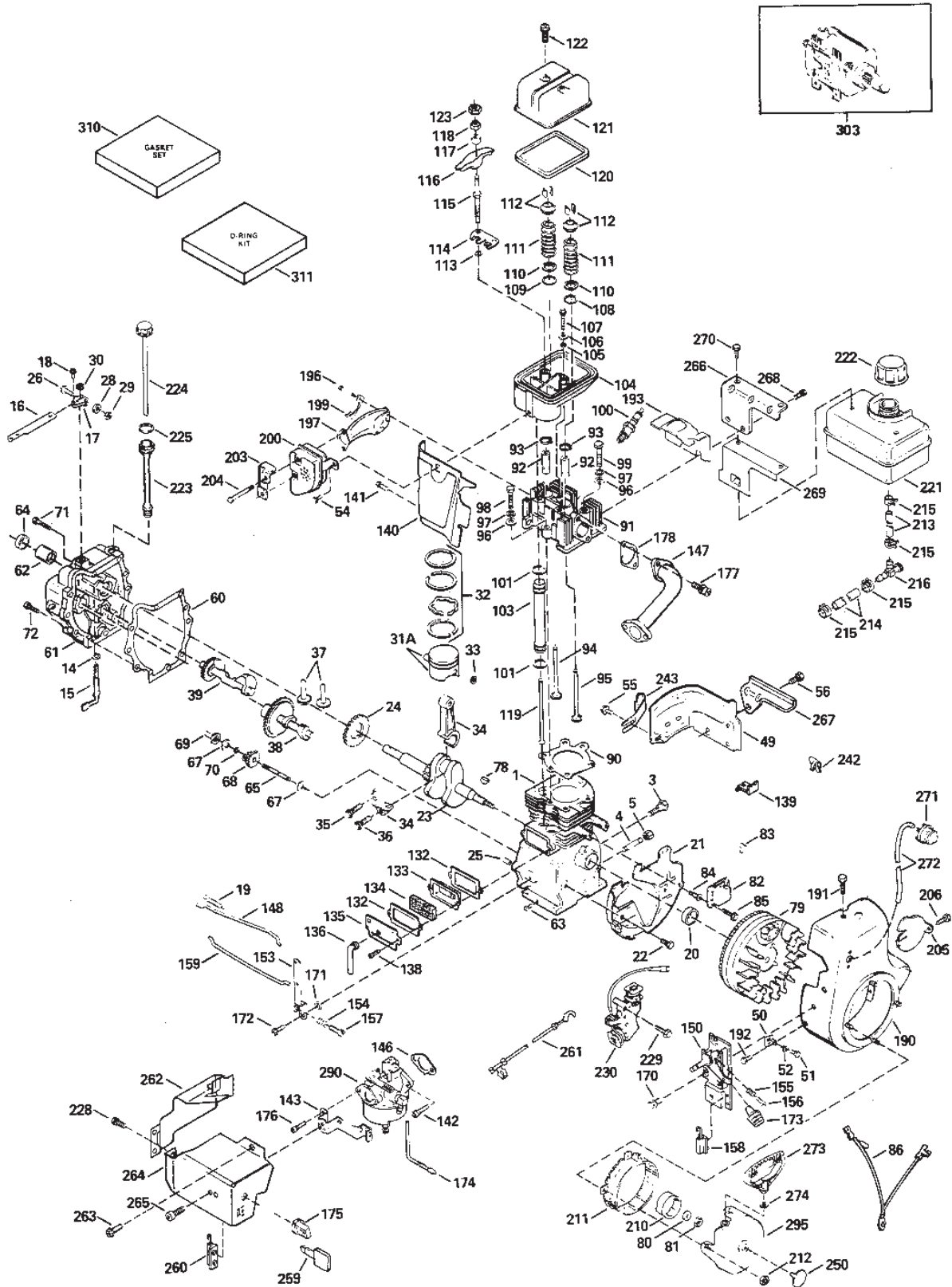
**STIGA**  
288A  
SPARE PARTS



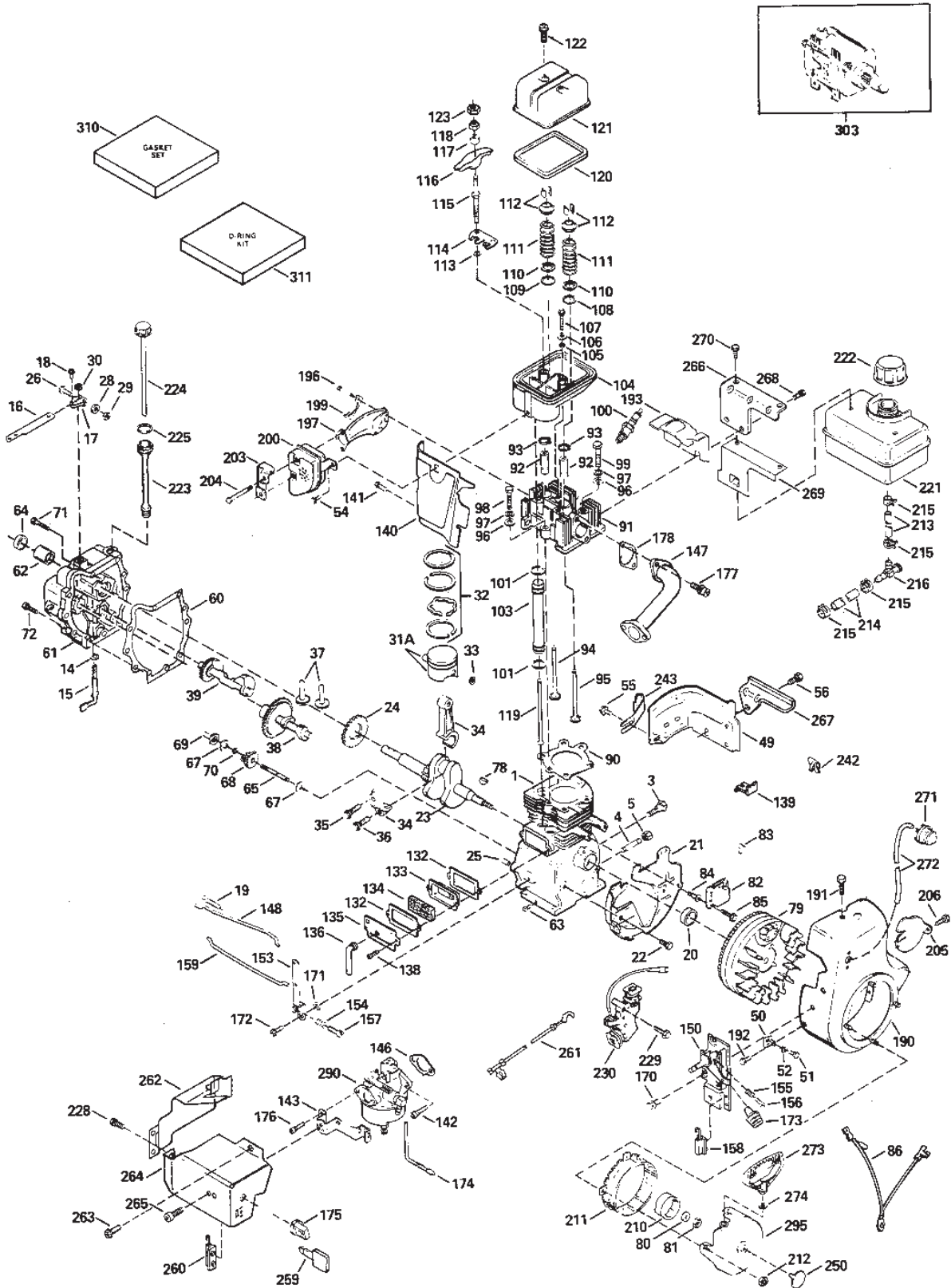
Utgåva Issue 32 - 2014		Fjärreglage Belysning Elstart		Remote Chute Light El.Starter	
Pos. Fig.	Antal Q.ty	Art nr Part No	Benämning	Description	Anmärkning Notes
A05	1	9677-0009-02			
B6	1	18-1923-13	Elstart (12 volt)	El.starter (12 volt)	
B1	1	1134-2848-01	Tändningsnyckel	Ignition Key	
11	1	1811-0421-01	Mutter	Nut	
B4	1	1812-0276-01	Tändningslås	Ignition Switch	
B3	1	1812-0277-01	Låsbricka	Washer	
B2	1	1812-0278-01	Mutter	Nut	
B5	1	1812-0312-01	Kabelhärva	Cable Harness	
17	1	1812-0508-01	Gummipackning	Rubber Gasket	
18	3	1812-0510-01	Nit	Rivet	
2	1	1812-0574-01	Fjäder	Spring	
6	1	1812-0576-01	Utkaströr	Chute	
1	1	1812-0577-01	Utkastskärm	Chute Deflector	
16	1	1812-0578-01	Reglagekabel	Cable	
A1	1	1812-0579-01	Strålkastare	Head Lamp	
14	1	1812-0580-01	Kabelhållare	Cable Holder	
7	1	1812-0581-01	Fäste	Bracket	
A13	1	1812-0621-01	Cable	Cable	
10	1	1812-0629-01	Skruv	Screw	
A3	1	1812-0639-01	Strålkastarinsats	Sealed Beam	
A12	1	1812-0652-01	Flatstiftshylsa	Amp. Terminal Female	
A2	1	1812-0653-01	Lamphus	Light Housing	
A06	1	1812-0659-01	Lampfäste	Light Bracket	
5	1	1812-0667-01	Plastbricka	Washer	
A10	1	1812-0721-01	Flatstift	Amp. Terminal Male	
A11	1	1812-0722-01	Isoleringshylsa	Insulator	
A4	1	1812-0723-01	Bult	Bolt	
19	3	1812-0729-01	Bricka	Flat washer	
6	1	1812-0829-01	Utkaströr	Chute extension	
A8	1	9683-0030-02	Bricka	Washer	
20	1	9699-0028-02	Bricka	Washer	
13	2	9743-3521-32	Mutter	Nut	
4	3	9743-3621-32	Mutter	Nut	
9	1	9743-3621-32	Mutter	Nut	
A9	2	9795-3631-02	Mutter	Nut	
15	1	9987-5157-12	Skruv	Screw	
12	1	9988-3525-16	Skruv	Screw	
8	1	9988-3613-16	Skruv	Screw	
3	3	9988-3619-16	Skruv	Screw	
A7	1	9988-3651-12	Skruv	Screw	



Utgåva Issue 32 - 2014		Tecumseh Oh120		Tecumseh Oh120	
Pos. Fig.	Antal Q.ty	Art nr Part No	Benämning	Description	Anmärkning Notes
215	4	26460	Clamp	Clamp	
63	1	27642	Oil drain plug	Oil drain plug	
25	2	27652	Styrpinne	Dowel pin	
118	2	28264	Låsmutter	Nut	Även R; inkl.pos 123
14	1	28277	Bricka	Flat washer	
133	1	28423	Breather body	Breather body	
134	1	28424	Breather element	Breather element	
135	1	28425	Cover	Cover	
52	1	28545	Isoleringshylsa	Grommet	
176	2	28820	Skruv	Screw	
70	1	29193	Retaining ring	Retaining ring	
29	1	29216	Mutter	Nut	
242	1	29443	Wire clip	Wire clip	
30	3	29642	Retaining ring	Retaining ring	
212	4	29752	Mutter	Nut	
214	1	29774	Fuel line	Fuel line	
26	1	29826	Skruv	Screw	
28	1	29918	Bricka	Washer	
54	1	30063	Skruv	Screw	
191	1	30063	Skruv	Screw	
172	1	30312	Skruv	Screw	
139	1	30593	Clip	Clip	
171	1	30773	Bussning	Bushing	
213	1	30962	Fuel line	Fuel line	
4	1	30968	Rör	Pipe	
5	1	30969	Cap	Cap	
155	1	31342	Fjäder	Spring	
33	2	31919	Retaining ring	Retaining ring	
78	1	32589	Kil	Key	
216	1	32961	Shut-off valve	Shut-off valve	
205	1	33013	Cover	Cover	
146	1	33263	Packning	Gasket	
101	4	33481	O-ring	O-ring	Även R
105	1	33484	O-ring	O-ring	Även R
111	2	33507	Valve spring	Valve spring	
112	2	33508	Valve spring keeper	Valve spring keeper	
108	1	33509	O-ring	O-ring	Även R
110	2	33510	Valve spring cap	Valve spring cap	
303	1	33605	Starter motor assy	Starter motor assy	
154	1	33802	Fjäder	Spring	
50	1	34126	Fäste	Bracket	
109	1	34410	O-ring	O-ring	Även R
143	1	34583	Choke bracket	Choke bracket	
32	1	34866	Ring set	Ring set	
259	1	35062	Tändningsnyckel	Ignition Key	
82	1	35135	Solid state ignition	Solid state ignition	
86	1	35253	Ground wire	Ground wire	
261	1	35285	Ground wire	Ground wire	
210	1	35287	Starter hub	Starter hub	



Utgåva Issue 32 - 2014		Tecumseh Oh120		Tecumseh Oh120	
Pos. Fig.	Antal Q.ty	Art nr Part No	Benämning	Description	Anmärkning Notes
193	1	35290	Cover	Cover	
197	1	35292	Grenrör	Exhaust manifold	
199	1	35293	Låsbleck	Lock plate	
200	1	35294	Ljuddämpare	Muffler	
113	2	35295	O-ring	O-ring	Även R
114	1	35296	Styrning	Guide	
116	2	35297	Vipparm	Rocker arm	
117	2	35298	Bearing	Bearing	
121	1	35300	Cover	Cover	
140	1	35301	Skyddsplåt	Housing extension	
91	1	35307	Topplöck	Cylinder Head	
94	1	35308	Exhaust valve	Exhaust valve	
95	1	35309	Insugningsventil	Intake valve	
104	1	35310	Vipparmshus	Rocker arm housing	
37	2	35313	Valve lifter	Valve lifter	
39	1	35315	Balanseringsaxel	Counterbalance weight	
49	1	35316	Skyddsplåt	Housing extension	
20	1	35319	Oil seal	Oil seal	
64	1	35319	Oil seal	Oil seal	
68	1	35321	Governor gear	Governor gear	
69	1	35322	Spool	Spool	
21	1	35326	Baffle	Baffle	
24	1	35327	Gear	Gear	
31A	1	35329	Kolvsprint	Piston Pin	Inkl.pos 33
311	1	35332	O-ringssats	O-ring kit	Delarna märkta R
203	1	35348	Låsplatta	Locking plate	
136	1	35350	Rör	Tube	
222	1	35355	Tank cap	Tank cap	
62	1	35377	Bearing	Bearing	
250	1	35392	Plugg	Plug	
173	1	35438	Reglageknopp	Knob	
175	1	35440	Knopp	Knob	
211	1	35446	Nät	Screen	
119	2	35466	Stötstång	Push rod	
103	2	35475	Stötstångsrör	Push rod tube	
67	2	35479	Bricka	Washer	
225	1	35499	O-ring	O-ring	
243	1	35539	Clip	Clip	
223	1	35574	Oljepåfyllningsrör	Oil fill tube	
153	1	35679	Fäste	Control Bracket	
34	1	35681	Conn.rod assy	Conn.rod assy	Inkl.pos 35,36
38	1	35682	Kamaxel	Camshaft	
60	1	35683	Packning	Gasket	
61	1	35684	Vevhusgavel kpl	Mounting flange assy	Inkl. 14,15,30,62,64
15	1	35685	Governor rod	Governor rod	
16	1	35686	Governor lever	Governor lever	
17	1	35687	Clamp	Clamp	
19	1	35688	Fjäder	Spring	
174	1	35689	Choke rod	Choke rod	

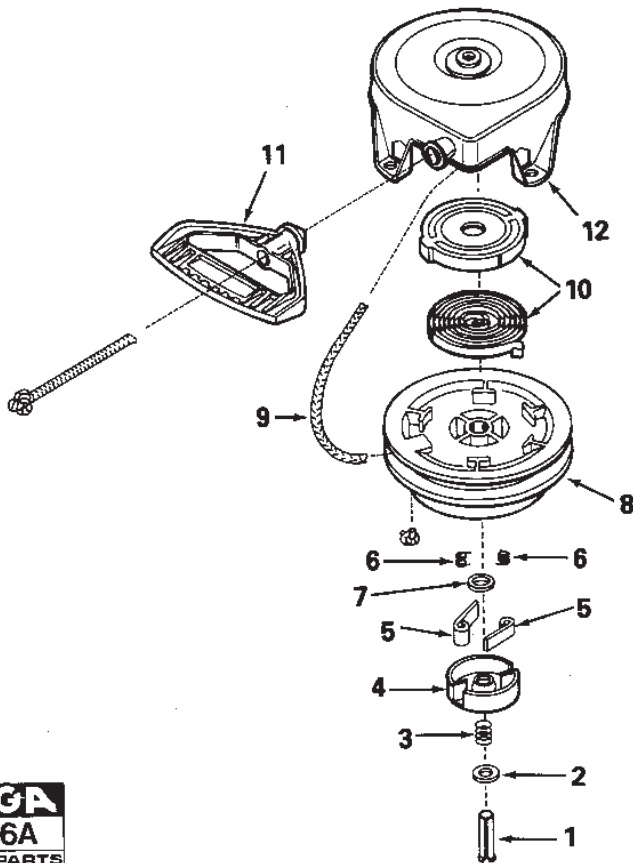
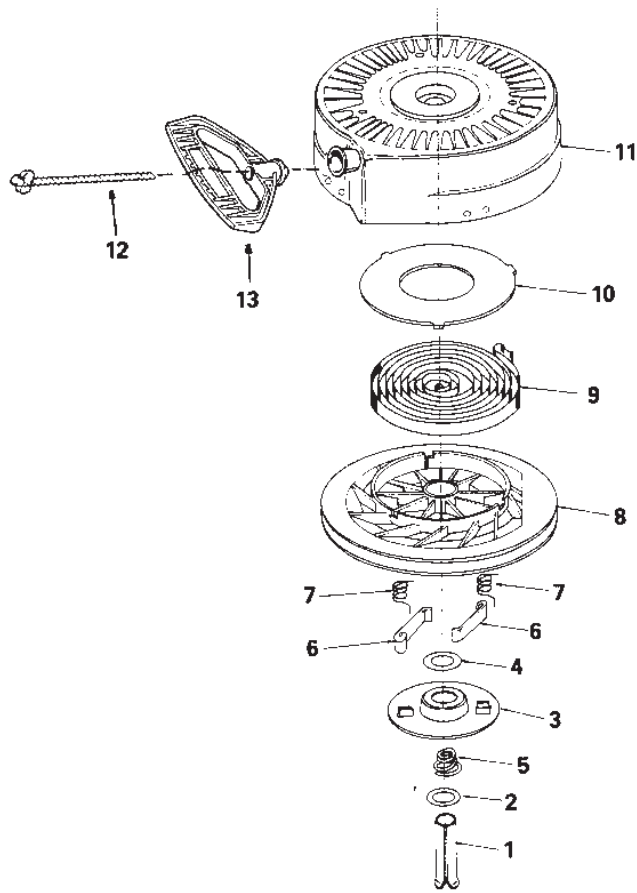




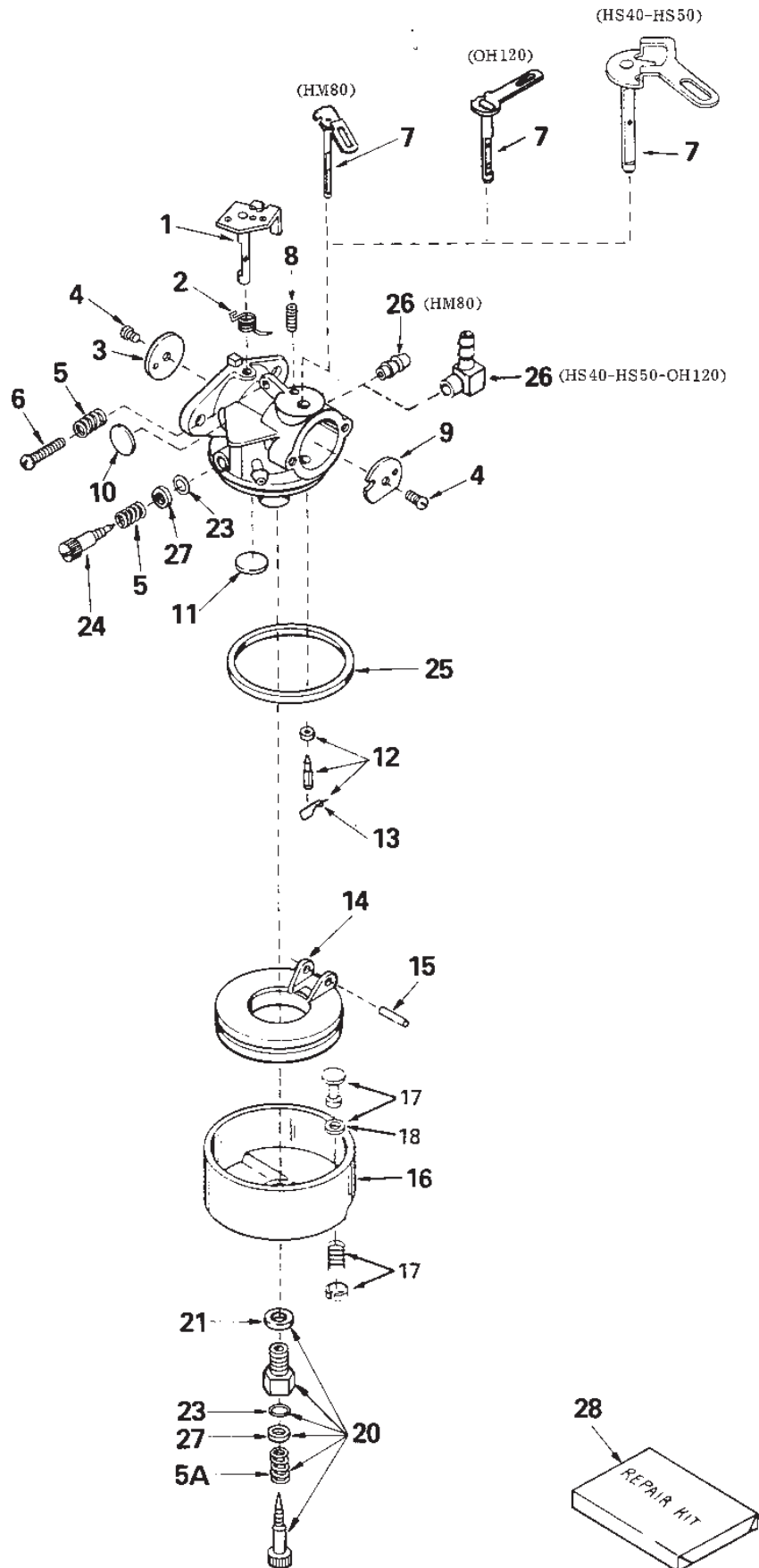
Utgåva Issue 32 - 2014		Tecumseh Oh120		Tecumseh Oh120	
Pos. Fig.	Antal Q.ty	Art nr Part No	Benämning	Description	Anmärkning Notes
147	1	35690	Intake pipe	Intake pipe	
148	1	35691	Governor link	Governor link	
159	1	35692	Reglagelänk	Control link	
262	1	35693	Förgasarkåpa	Carburettor Cover	
190	1	35694	Blower housing	Blower housing	
266	1	35696	Tank bracket	Tank bracket	
267	1	35697	Tank bracket	Tank bracket	
264	1	35698	Förgasarkåpa	Carburettor Cover	
269	1	35699	Värmskydd	Heat baffle	
224	1	35700	Oil dipstick	Oil dipstick	
23	1	35701	Crankshaft	Crankshaft	
150	1	35702	Fäste	Control Bracket	Inkl.pos 155,156,158
65	1	35751	Governor shaft	Governor shaft	
271	1	570682	Primer	Primer	
273	1	590574	Styrplåt kpl	Starter handle	
295	1	590630	Starter assy	Starter assy	
83	1	610118	Spark plug cover	Spark plug cover	
158	1	610973	Terminal	Terminal	
260	1	610973	Terminal	Terminal	
79	1	611093	Flywheel	Flywheel	
230	1	611111	Generator	Alternator coil	
55	1	650128	Skruv	Screw	
138	2	650128	Skruv	Screw	
141	1	650128	Skruv	Screw	
106	1	650168	Bricka	Washer	
274	1	650168	Bricka	Washer	
228	2	650257	Skruv	Screw	
142	2	650517	Skruv	Screw	
18	1	650548	Skruv	Screw	
156	1	650549	Skruv	Screw	
22	2	650561	Skruv	Screw	
56	1	650561	Skruv	Screw	
270	2	650665	Skruv	Screw	
97	6	650690	Bricka	Washer	
96	6	650691	Bricka	Washer	
99	4	650692	Skruv	Screw	45 mm
98	2	650746	Skruv	Screw	35 mm
51	1	650760	Skruv	Screw	
206	1	650760	Skruv	Screw	
263	1	650765	Skruv	Screw	
157	1	650777	Skruv	Screw	
85	2	650814	Skruv	Screw	
3	2	650820	Shoulder bolt	Shoulder bolt	
170	2	650821	Skruv	Screw	
265	2	650821	Skruv	Screw	
72	1	650832	Skruv	Screw	43 mm
71	7	650833	Skruv	Screw	30 mm
84	2	650872	Pinnbult	Mounting stud	
229	1	650873	Skruv	Screw	



Utgåva Issue 32 - 2014		Tecumseh Oh120		Tecumseh Oh120	
Pos. Fig.	Antal Q.ty	Art nr Part No	Benämning	Description	Anmärkning Notes
196	2	650876	Skruv	Screw	
204	2	650877	Skruv	Screw	
115	2	650878	Stud	Stud	
122	2	650879	Skruv	Screw	Även R
80	1	650880	Bricka	Washer	
81	1	650881	Mutter	Nut	
36	1	650882	Bult	Bolt	
123	2	650903	Mutter	Nut	Även R
35	1	650908	Bult	Bolt	
92	2	730218	Valve guide kit	Valve guide kit	Inkl. 2 st pos 93
177	2	792028	Skruv	Screw	
268	2	792028	Skruv	Screw	
93	2	792035	Låsring	Retainer ring	
100	1	1111-9028-02	Tändstift (J19Lm)	Spark Plug (J19Lm)	
132	2	27896A	Packning	Gasket	
192	2	29747B	Skruv	Screw	
272	1	32180C	Primerslang	Primer line	
107	1	32610A	Skruv	Screw	
178	1	33515A	Packning	Gasket	
221	1	34156A	Fuel tank assy	Fuel tank assy	Inkl.pos 215,222
120	1	35299B	O-ring	O-ring	Även R; inkl 2 st 122
90	1	35306A	Packning	Gasket	
310	1	35331B	Packningssats	Gasket set	Delarna märkta S
1	1	35677A	Cylinder kpl	Cylinder Assy	Inkl.pos 20,25,63,65
290	1	632511A	Förgasare kpl	Carburettor Assy	



Utgåva Issue 32 - 2014		Tecumseh Hs40-Hs50-Hm80-Oh120 Start Kpl		Tecumseh Hs40-Hs50-Hm80-Oh120 Starter Assy	
Pos. Fig.	Antal Q.ty	Art nr Part No	Benämning	Description	Anmärkning Notes
A11	1	590574	Styrplåt kpl	Starter handle	HM800H120
13	1	590574	Styrplåt kpl	Starter handle	
A3	1	590598	Fjäder	Spring	HM800H120
5	1	590598	Fjäder	Spring	
A2	1	590600	Bricka	Washer	HM800H120
2	1	590600	Bricka	Washer	
A7	1	590601	Bricka	Washer	HM800H120
4	1	590601	Bricka	Washer	
3	1	590615	Hållare	Retainer	
6	2	590616	Starter dog	Starter dog	
A06	2	590617	Fjäder	Spring	HM800H120
7	2	590617	Fjäder	Spring	
9	1	590619	Returfjäder	Rewind spring	
10	1	590620	Cover	Cover	
A4	1	590627	Hållare	Retainer	HM800H120
A8	1	590628	Pulley	Pulley	HM800H120
A10	1	590629	Fjäder	Spring	HM800H120
A00	1	590630	Starter assy	Starter assy	HM800H120
A12	1	590631	Starthus	Starter housing	HM800H120
A05	2	590641	Startklo	Dog	HM800H120
8	1	590645	Pulley	Pulley	
0	1	590646	Starter assy	Starter assy	
11	1	590647	Starthus	Starter housing	
12	1	1111-1580-01	Startsnöre	Starter Rope	
A9	1	1111-1580-02	Startsnöre (Från 5 Hk) S	Starter Rope >5Hp	HM800H120
A1	1	590599A	Stift	Pin	HM800H120
1	1	590599A	Stift	Pin	Inkl.pos 4



Utgåva Issue 32 - 2014		Tecumseh Hs40-Hs50-Hm80-Oh120 Förgasare Kpl Tecumseh Hs40-Hs50-Hm80-Oh120 Carburettor Assy			
Pos. Fig.	Antal Q.ty	Art nr Part No	Benämning	Description	Anmärkning Notes
21	1	27110	Packning	Gasket	
18	1	27554	Packning	Gasket	
20	1	31839	Skruv	Screw	Inkl. 5A,21,23,27 _/ HS50_/ HS40 _/ Kit: S
28	1	31840	Use MAS-031840   Reparationssats	Use MAS-031840   Repair Kit	HS50_/ HS40
8	1	630735	Fjäder	Spring	
5A	1	630738	Fjäder	Spring	
27	2	630739	Bricka	Washer	
23	2	630740	O-ring	O-ring	
10	1	630748	Welch plug	Welch plug	
5	2	630766	Fjäder	Spring	
12	1	631021	Nålventil kpl	Inlet needle assy	Inkl. pos 13
13	1	631022	Fjäder	Spring clip	
15	1	631024	Flottöraxel	Float shaft	
11	1	631027	Welch plug	Welch plug	
25	1	631028	O-ring	O-ring	
3	1	631036	Gasspjäll	Throttle Shutter	HS50_/ HS40
1	1	631615	Spjällsaxeln	Throttle Shaft	HS50_/ HS40
2	1	631767	Fjäder	Spring	HS50_/ HS40
1	1	631776	Spjällsaxeln	Throttle Shaft	HM80
3	1	631778	Gasspjäll	Throttle Shutter	HM80
26	1	631807	Nippel	Fuel fitting	HS50_/ HS40
9	1	631815	Choke shutter	Choke shutter	HS50_/ HS40
24	1	631838	Skruv	Screw	HS50_/ HS40 _/ Kit: S
16	1	631951	Flottörhus kpl	Float bowl assy	Inkl. pos 17,18
2	1	631970	Fjäder	Spring	HM80 _/ OH120
14	1	632019	Flottör	Float	
7	1	632108	Choke shaft	Choke shaft	HS50_/ HS40
7	1	632112	Choke shaft	Choke shaft	HM80
26	1	632164	Nippel	Fuel fitting	HM80
9	1	632174	Choke shutter	Choke shutter	HM80
20	1	632239	Skruv	Screw	Inkl. 5A,21,23,27 _/ HM80 _/ OH120
24	1	632281	Förgasare kpl	Carburettor Assy	HM80 _/ OH120 _/ Kit: S
28	1	632347	Reparationssats	Repair Kit	HM80 _/ OH120
1	1	632512	Spjällsaxeln	Throttle Shaft	OH120
7	1	632513	Choke shaft	Choke shaft	OH120
9	1	632514	Choke shutter	Choke shutter	OH120
3	1	632517	Gasspjäll	Throttle Shutter	OH120
26	1	632527	Nippel	Fuel fitting	OH120
6	1	650417	Skruv	Screw	
4	2	650506	Skruv	Screw	
17	1	27136A	Bowl drain	Bowl drain	Inkl. pos 18
0	1	632107A	Förgasare kpl	Carburettor Assy	HS50
0	1	632113A	Förgasare kpl	Carburettor Assy	HS40
0	1	632334A	Förgasare kpl	Carburettor Assy	HM80
0	1	632511A	Förgasare kpl	Carburettor Assy	OH120

code	pos.	q.ty	page											
18-1923-13	B6	1	p. 19	1812-0336-01	18	1	p. 17	1812-0636-01	95A	1	p. 11			
1111-1580-01	12	1	p. 29	1812-0337-01	16	1	p. 17	1812-0639-01	A3	1	p. 19			
1111-1580-02	A9	1	p. 29	1812-0338-01	15	1	p. 17	1812-0640-01	29	2	p. 15			
1111-9028-02	100	1	p. 27	1812-0339-01	14	1	p. 17	1812-0646-01	59	1	p. 3			
1134-2848-01	B1	1	p. 19	1812-0340-01	13	1	p. 17	1812-0649-01	10	3	p. 3			
1811-0421-01	11	1	p. 19	1812-0341-01	12	1	p. 17	1812-0649-01	105	2	p. 11			
1812-0203-01	44	1	p. 3	1812-0343-01	3	2	p. 17	1812-0650-01	21	1	p. 15			
1812-0207-01	1	1	p. 7	1812-0344-01	1	2	p. 17	1812-0651-01	22	1	p. 15			
1812-0208-01	46	1	p. 7	1812-0345-01	5	2	p. 17	1812-0652-01	A12	1	p. 19			
1812-0226-01	8	1	p. 17	1812-0346-01	22	1	p. 17	1812-0653-01	A2	1	p. 19			
1812-0227-01	2	1	p. 17	1812-0347-01	27	2	p. 15	1812-0659-01	A06	1	p. 19			
1812-0227-01	4	1	p. 17	1812-0376-01	71	1	p. 3	1812-0660-01	106	1	p. 11			
1812-0228-01	9	1	p. 17	1812-0384-01	5	11	p. 7	1812-0661-01	58	1	p. 7			
1812-0228-01	25	1	p. 17	1812-0385-01	6	11	p. 7	1812-0663-01	19	1	p. 15			
1812-0231-01	9	1	p. 15	1812-0387-01	12	4	p. 15	1812-0666-01	33	1	p. 3			
1812-0237-01	23	1	p. 17	1812-0387-01	113	1	p. 7	1812-0667-01	5	1	p. 19			
1812-0238-01	10	1	p. 17	1812-0388-01	5	6	p. 15	1812-0670-01	25	6	p. 3			
1812-0239-01	0	1	p. 17	1812-0389-01	6	6	p. 15	1812-0673-01	62	1	p. 3			
1812-0239-01	20	1	p. 15	1812-0393-01	82	1	p. 11	1812-0674-01	61	1	p. 3			
1812-0241-01	71	2	p. 11	1812-0394-01	43	1	p. 3	1812-0675-01	58	1	p. 3			
1812-0253-01	45	2	p. 3	1812-0401-01	10	1	p. 7	1812-0689-01	37	1	p. 3			
1812-0255-01	8	1	p. 15	1812-0407-01	96	2	p. 11	1812-0690-01	34	1	p. 3			
1812-0274-01	26	2	p. 15	1812-0408-01	94	1	p. 11	1812-0692-01	26	2	p. 3			
1812-0276-01	B4	1	p. 19	1812-0409-01	6	1	p. 17	1812-0693-01	14	1	p. 3			
1812-0277-01	B3	1	p. 19	1812-0418-01	66	1	p. 11	1812-0701-01	13	1	p. 3			
1812-0278-01	B2	1	p. 19	1812-0419-01	17	1	p. 15	1812-0705-01	31	2	p. 3			
1812-0280-01	80	2	p. 11	1812-0421-01	35	1	p. 7	1812-0706-01	12	1	p. 3			
1812-0281-01	65	1	p. 11	1812-0422-01	57	1	p. 7	1812-0712-01	69	1	p. 3			
1812-0282-01	67	2	p. 11	1812-0423-01	7	3	p. 15	1812-0713-01	30	1	p. 3			
1812-0283-01	43	1	p. 7	1812-0424-01	56	1	p. 7	1812-0715-01	65	1	p. 3			
1812-0284-01	19	1	p. 17	1812-0426-01	24	1	p. 17	1812-0719-01	79	2	p. 11			
1812-0284-01	60	2	p. 11	1812-0427-01	22	1	p. 7	1812-0720-01	40	1	p. 7			
1812-0285-01	61	1	p. 11	1812-0429-01	73	1	p. 11	1812-0721-01	A10	1	p. 19			
1812-0286-01	20	1	p. 17	1812-0430-01	59	1	p. 11	1812-0722-01	A11	1	p. 19			
1812-0286-01	68	1	p. 11	1812-0438-01	102	1	p. 11	1812-0723-01	A4	1	p. 19			
1812-0287-01	62	2	p. 11	1812-0446-01	11	1	p. 7	1812-0727-01	39	1	p. 7			
1812-0288-01	63	1	p. 11	1812-0447-01	12	1	p. 7	1812-0728-01	34	2	p. 15			
1812-0290-01	83	1	p. 11	1812-0508-01	17	1	p. 19	1812-0729-01	19	3	p. 19			
1812-0291-01	72	2	p. 11	1812-0510-01	18	3	p. 19	1812-0730-01	36	4	p. 15			
1812-0293-01	76	1	p. 11	1812-0520-01	7	2	p. 3	1812-0821-01	4	2	p. 3			
1812-0294-01	104	2	p. 11	1812-0521-01	89	1	p. 11	1812-0823-01	5	1	p. 3			
1812-0297-01	21	1	p. 17	1812-0525-01	90	1	p. 11	1812-0824-01	46	2	p. 3			
1812-0300-01	33	1	p. 7	1812-0552-01	11	1	p. 15	1812-0829-01	6	1	p. 19			
1812-0301-01	28	2	p. 15	1812-0553-01	52	1	p. 3	1812-0830-01	41	2	p. 3			
1812-0303-01	51	1	p. 3	1812-0554-01	2	1	p. 7	1812-0831-01	13	2	p. 15			
1812-0304-01	15	1	p. 3	1812-0555-01	7	1	p. 7	1812-0832-01	35	1	p. 3			
1812-0306-01	52	1	p. 7	1812-0567-01	93	2	p. 11	1812-0834-01	9	1	p. 3			
1812-0307-01	17	1	p. 17	1812-0570-01	36	1	p. 3	1812-0883-01	15	1	p. 15			
1812-0307-01	53	1	p. 7	1812-0571-01	92	1	p. 11	1812-0888-01	22	1	p. 3			
1812-0308-01	31	1	p. 15	1812-0574-01	2	1	p. 19	1812-0889-01	1	1	p. 3			
1812-0308-01	54	1	p. 7	1812-0576-01	6	1	p. 19	1812-0890-01	29	1	p. 3			
1812-0312-01	B5	1	p. 19	1812-0577-01	1	1	p. 19	1812-0891-01	23	1	p. 3			
1812-0315-01	32	1	p. 15	1812-0578-01	16	1	p. 19	1812-0892-01	20	1	p. 3			
1812-0316-01	33	2	p. 15	1812-0579-01	A1	1	p. 19	1812-0893-01	21	1	p. 3			
1812-0317-01	23	2	p. 7	1812-0580-01	14	1	p. 19	1812-0894-01	3	1	p. 3			
1812-0319-01	28	1	p. 7	1812-0581-01	7	1	p. 19	1812-0895-01	8	1	p. 3			
1812-0320-01	74	1	p. 11	1812-0582-01	84	1	p. 11	1812-0905-01	3B	1	p. 7			
1812-0321-01	32	1	p. 7	1812-0583-01	77	1	p. 11	1812-0943-01	32	2	p. 3			
1812-0322-01	36	2	p. 7	1812-0586-01	78	1	p. 11	1812-0955-01	24	2	p. 3			
1812-0324-01	64	1	p. 11	1812-0601-01	97	2	p. 11	1812-0975-01	6	1	p. 3			
1812-0328-01	8	3	p. 7	1812-0619-01	91	1	p. 11	1812-1073-01	111	4	p. 11			
1812-0330-01	103	1	p. 11	1812-0621-01	A13	1	p. 19	1812-1119-01	50	3	p. 7			
1812-0331-01	16	1	p. 7	1812-0622-01	49	1	p. 3	1812-1124-01	26	1	p. 7			
1812-0333-01	41	1	p. 7	1812-0625-01	81	1	p. 11	1812-1127-01	95	2	p. 11			
1812-0334-01	42	1	p. 7	1812-0626-01	16	1	p. 15	1812-1128-01	112	1	p. 7			
1812-0335-01	7	1	p. 17	1812-0628-01	25	1	p. 7	1812-1143-01	10	2	p. 15			
				1812-0629-01	10	1	p. 19	1812-9003-01	85	1	p. 11			



code	pos.	q.ty	page											
1812-9006-01	23	1	p. 15	9987-5125-16	26	7	p. 17	33013	205	1	p. 21			
1812-9014-01	55	1	p. 7	9987-5125-16	109	3	p. 9	33263	146	1	p. 21			
1812-9015-01	51	1	p. 7	9987-5145-12	11	1	p. 17	33481	101	4	p. 21			
9599-0054-02	27	1	p. 3	9987-5157-12	15	1	p. 19	33484	105	1	p. 21			
9599-0054-02	60	1	p. 3	9987-5157-12	20B	4	p. 9	33507	111	2	p. 21			
9599-0054-02	75	1	p. 11	9987-5232-16	45	1	p. 9	33508	112	2	p. 21			
9677-0009-02	86	5	p. 11	9988-3519-16	68	1	p. 5	33509	108	1	p. 21			
9677-0009-02	A05	1	p. 19	9988-3525-16	12	1	p. 19	33510	110	2	p. 21			
9683-0025-02	29	1	p. 7	9988-3525-16	44	1	p. 15	33515A	178	1	p. 27			
9683-0025-02	67	1	p. 3	9988-3525-16	70	1	p. 5	33605	303	1	p. 21			
9683-0030-02	2	14	p. 15	9988-3538-12	99	1	p. 13	33802	154	1	p. 21			
9683-0030-02	14	14	p. 11	9988-3557-12	28	2	p. 17	34126	50	1	p. 21			
9683-0030-02	14	16	p. 7	9988-3613-16	8	1	p. 19	34156A	221	1	p. 27			
9683-0030-02	50	8	p. 3	9988-3613-16	70	6	p. 13	34410	109	1	p. 21			
9683-0030-02	A8	1	p. 19	9988-3619-16	3	3	p. 19	34583	143	1	p. 21			
9683-0035-02	18	4	p. 7	9988-3619-16	27	1	p. 9	34866	32	1	p. 21			
9683-0035-02	39	4	p. 3	9988-3619-16	27	5	p. 13	35062	259	1	p. 21			
9683-0035-02	87	1	p. 11	9988-3619-16	30	2	p. 15	35135	82	1	p. 21			
9683-0055-02	57	2	p. 5	9988-3619-16	53	4	p. 5	35253	86	1	p. 21			
9699-0026-02	4	3	p. 7	9988-3625-16	18	1	p. 15	35285	261	1	p. 21			
9699-0026-02	29	2	p. 17	9988-3645-16	11	6	p. 5	35287	210	1	p. 21			
9699-0028-02	3	14	p. 15	9988-3651-12	A7	1	p. 19	35290	193	1	p. 23			
9699-0028-02	15	1	p. 7	9988-3670-12	19	4	p. 5	35292	197	1	p. 23			
9699-0028-02	15	3	p. 11	9988-3725-16	19	2	p. 9	35293	199	1	p. 23			
9699-0028-02	20	1	p. 19	9988-3732-12	37	1	p. 9	35294	200	1	p. 23			
9699-0029-02	16	10	p. 5	9988-3738-12	47	1	p. 9	35295	113	2	p. 23			
9699-0029-02	48	1	p. 7	9988-3745-12	18	4	p. 5	35296	114	1	p. 23			
9699-0029-02	48	1	p. 11	9988-3764-12	38	1	p. 5	35297	116	2	p. 23			
9699-0038-02	9	1	p. 11	26460	215	4	p. 21	35298	117	2	p. 23			
9699-0038-02	9	2	p. 7	27110	21	1	p. 31	35299B	120	1	p. 27			
9699-0069-02	34	1	p. 7	27136A	17	1	p. 31	35300	121	1	p. 23			
9743-3521-32	2	2	p. 5	27554	18	1	p. 31	35301	140	1	p. 23			
9743-3521-32	13	2	p. 19	27642	63	1	p. 21	35306A	90	1	p. 27			
9743-3521-32	14	1	p. 15	27652	25	2	p. 21	35307	91	1	p. 23			
9743-3521-32	30	2	p. 17	27896A	132	2	p. 27	35308	94	1	p. 23			
9743-3521-32	47	4	p. 5	28264	118	2	p. 21	35309	95	1	p. 23			
9743-3521-32	100	1	p. 11	28277	14	1	p. 21	35310	104	1	p. 23			
9743-3621-32	4	3	p. 19	28423	133	1	p. 21	35313	37	2	p. 23			
9743-3621-32	9	1	p. 19	28424	134	1	p. 21	35315	39	1	p. 23			
9743-3621-32	28	10	p. 5	28425	135	1	p. 21	35316	49	1	p. 23			
9743-3621-32	31	1	p. 7	28545	52	1	p. 21	35319	20	1	p. 23			
9743-3721-32	17	3	p. 5	28820	176	2	p. 21	35319	64	1	p. 23			
9743-3721-32	38	1	p. 7	29193	70	1	p. 21	35321	68	1	p. 23			
9743-3721-32	42	2	p. 5	29216	29	1	p. 21	35322	69	1	p. 23			
9743-3721-32	49	1	p. 7	29443	242	1	p. 21	35326	21	1	p. 23			
9743-5121-02	27	8	p. 17	29642	30	3	p. 21	35327	24	1	p. 23			
9743-5121-02	108	5	p. 7	29747B	192	2	p. 27	35329	31A	1	p. 23			
9743-5421-32	56	2	p. 5	29752	212	4	p. 21	35331B	310	1	p. 27			
9794-5131-02	48	2	p. 5	29774	214	1	p. 21	35332	311	1	p. 23			
9794-5131-02	107	7	p. 9	29826	26	1	p. 21	35348	203	1	p. 23			
9794-5231-02	88	1	p. 11	29918	28	1	p. 21	35350	136	1	p. 23			
9795-3531-02	30	1	p. 9	30063	54	1	p. 21	35355	222	1	p. 23			
9795-3531-02	66	1	p. 5	30063	191	1	p. 21	35377	62	1	p. 23			
9795-3631-02	1	14	p. 15	30312	172	1	p. 21	35392	250	1	p. 23			
9795-3631-02	13	9	p. 9	30593	139	1	p. 21	35438	173	1	p. 23			
9795-3631-02	13	13	p. 13	30773	171	1	p. 21	35440	175	1	p. 23			
9795-3631-02	54	6	p. 5	30962	213	1	p. 21	35446	211	1	p. 23			
9795-3631-02	A9	2	p. 19	30968	4	1	p. 21	35466	119	2	p. 23			
9795-3731-02	40	3	p. 5	30969	5	1	p. 21	35475	103	2	p. 23			
9899-3622-16	4	7	p. 15	31342	155	1	p. 21	35479	67	2	p. 23			
9899-3622-16	17	1	p. 9	31839	20	1	p. 31	35499	225	1	p. 23			
9899-3622-16	55	2	p. 5	31840	28	1	p. 31	35539	243	1	p. 23			
9899-3622-16	69	4	p. 13	31919	33	2	p. 21	35574	223	1	p. 23			
9899-3622-16	98	4	p. 13	32180C	272	1	p. 27	35677A	1	1	p. 27			
9899-3632-12	35	4	p. 15	32589	78	1	p. 21	35679	153	1	p. 23			
9987-5125-16	24	2	p. 9	32610A	107	1	p. 27	35681	34	1	p. 23			
				32961	216	1	p. 21	35682	38	1	p. 23			

code	pos.	q.ty	page								
35683	60	1	p. 23	631767	2	1	p. 31	792028	268	2	p. 27
35684	61	1	p. 23	631776	1	1	p. 31	792035	93	2	p. 27
35685	15	1	p. 23	631778	3	1	p. 31				
35686	16	1	p. 23	631807	26	1	p. 31				
35687	17	1	p. 23	631815	9	1	p. 31				
35688	19	1	p. 23	631838	24	1	p. 31				
35689	174	1	p. 23	631951	16	1	p. 31				
35690	147	1	p. 25	631970	2	1	p. 31				
35691	148	1	p. 25	632019	14	1	p. 31				
35692	159	1	p. 25	632107A	0	1	p. 31				
35693	262	1	p. 25	632108	7	1	p. 31				
35694	190	1	p. 25	632112	7	1	p. 31				
35696	266	1	p. 25	632113A	0	1	p. 31				
35697	267	1	p. 25	632164	26	1	p. 31				
35698	264	1	p. 25	632174	9	1	p. 31				
35699	269	1	p. 25	632239	20	1	p. 31				
35700	224	1	p. 25	632281	24	1	p. 31				
35701	23	1	p. 25	632334A	0	1	p. 31				
35702	150	1	p. 25	632347	28	1	p. 31				
35751	65	1	p. 25	632511A	0	1	p. 31				
570682	271	1	p. 25	632511A	290	1	p. 27				
590574	13	1	p. 29	632512	1	1	p. 31				
590574	273	1	p. 25	632513	7	1	p. 31				
590574	A11	1	p. 29	632514	9	1	p. 31				
590598	5	1	p. 29	632517	3	1	p. 31				
590598	A3	1	p. 29	632527	26	1	p. 31				
590599A	1	1	p. 29	650128	55	1	p. 25				
590599A	A1	1	p. 29	650128	138	2	p. 25				
590600	2	1	p. 29	650128	141	1	p. 25				
590600	A2	1	p. 29	650168	106	1	p. 25				
590601	4	1	p. 29	650168	274	1	p. 25				
590601	A7	1	p. 29	650257	228	2	p. 25				
590615	3	1	p. 29	650417	6	1	p. 31				
590616	6	2	p. 29	650506	4	2	p. 31				
590617	7	2	p. 29	650517	142	2	p. 25				
590617	A06	2	p. 29	650548	18	1	p. 25				
590619	9	1	p. 29	650549	156	1	p. 25				
590620	10	1	p. 29	650561	22	2	p. 25				
590627	A4	1	p. 29	650561	56	1	p. 25				
590628	A8	1	p. 29	650665	270	2	p. 25				
590629	A10	1	p. 29	650690	97	6	p. 25				
590630	295	1	p. 25	650691	96	6	p. 25				
590630	A00	1	p. 29	650692	99	4	p. 25				
590631	A12	1	p. 29	650746	98	2	p. 25				
590641	A05	2	p. 29	650760	51	1	p. 25				
590645	8	1	p. 29	650760	206	1	p. 25				
590646	0	1	p. 29	650765	263	1	p. 25				
590647	11	1	p. 29	650777	157	1	p. 25				
610118	83	1	p. 25	650814	85	2	p. 25				
610973	158	1	p. 25	650820	3	2	p. 25				
610973	260	1	p. 25	650821	170	2	p. 25				
611093	79	1	p. 25	650821	265	2	p. 25				
611111	230	1	p. 25	650832	72	1	p. 25				
630735	8	1	p. 31	650833	71	7	p. 25				
630738	5A	1	p. 31	650872	84	2	p. 25				
630739	27	2	p. 31	650873	229	1	p. 25				
630740	23	2	p. 31	650876	196	2	p. 27				
630748	10	1	p. 31	650877	204	2	p. 27				
630766	5	2	p. 31	650878	115	2	p. 27				
631021	12	1	p. 31	650879	122	2	p. 27				
631022	13	1	p. 31	650880	80	1	p. 27				
631024	15	1	p. 31	650881	81	1	p. 27				
631027	11	1	p. 31	650882	36	1	p. 27				
631028	25	1	p. 31	650903	123	2	p. 27				
631036	3	1	p. 31	650908	35	1	p. 27				
631615	1	1	p. 31	730218	92	2	p. 27				
				792028	177	2	p. 27				