

# STIGA

## **Reservdelskatalog Parts Catalogue**

### **SE225 (S SF)**

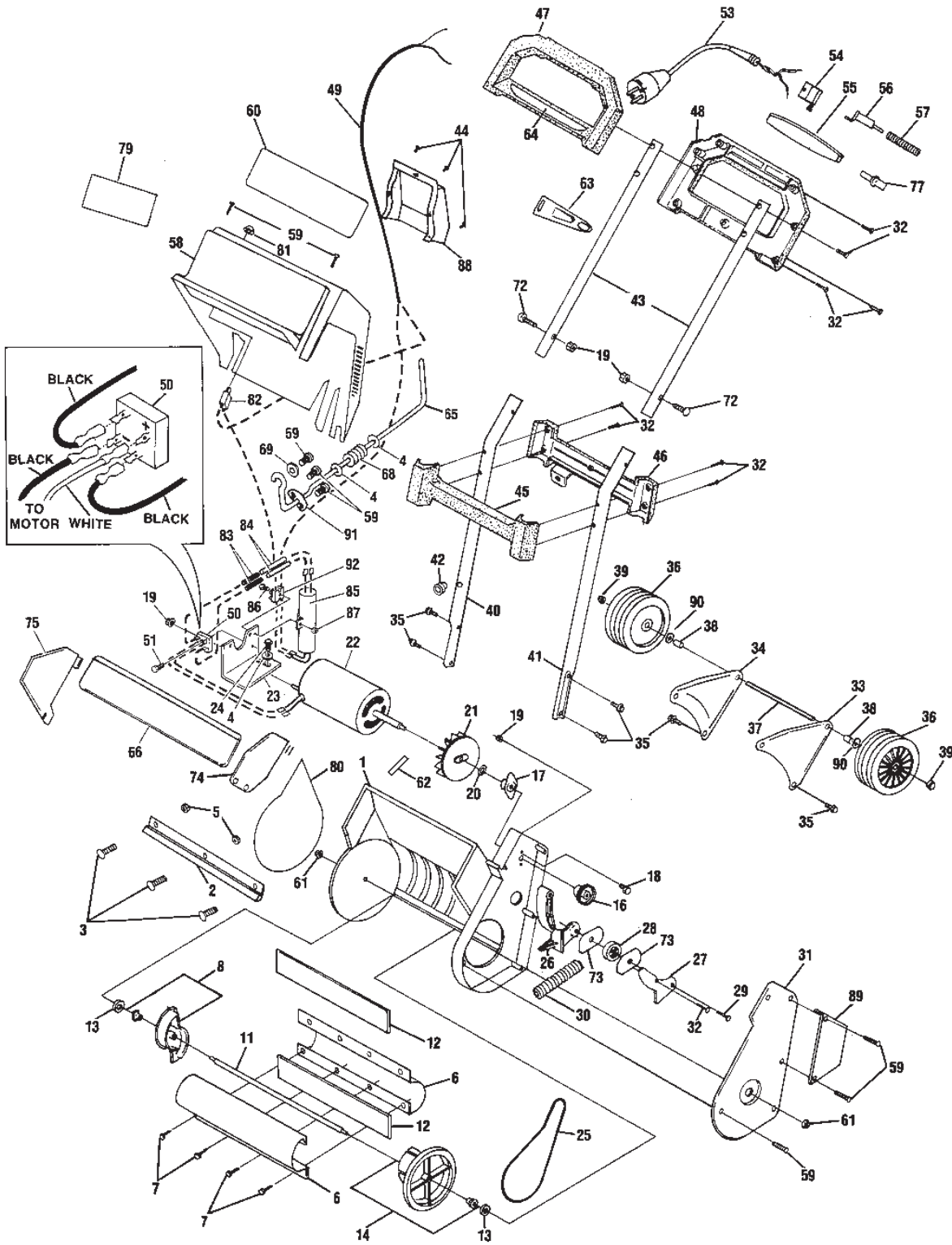
**18-1831-14 - Season 1989**

- Use GLOBAL GARDEN PRODUCT Genuine Spare Parts specified in the parts list for repair and/or replacement.
  - The contents described in the parts list may change due to improvement.
  - The drawings of the spare parts are only indicative and might not represent the part in question exactly.
  - The indications "right" - "left" - "front" - "rear" refer to the position of the operator when using the machine.
- When placing orders of parts for repair and/or replacement, make sure that the illustrated parts list is the one applying to the machine's year of manufacture, as shown on the identification plate attached to the machine.

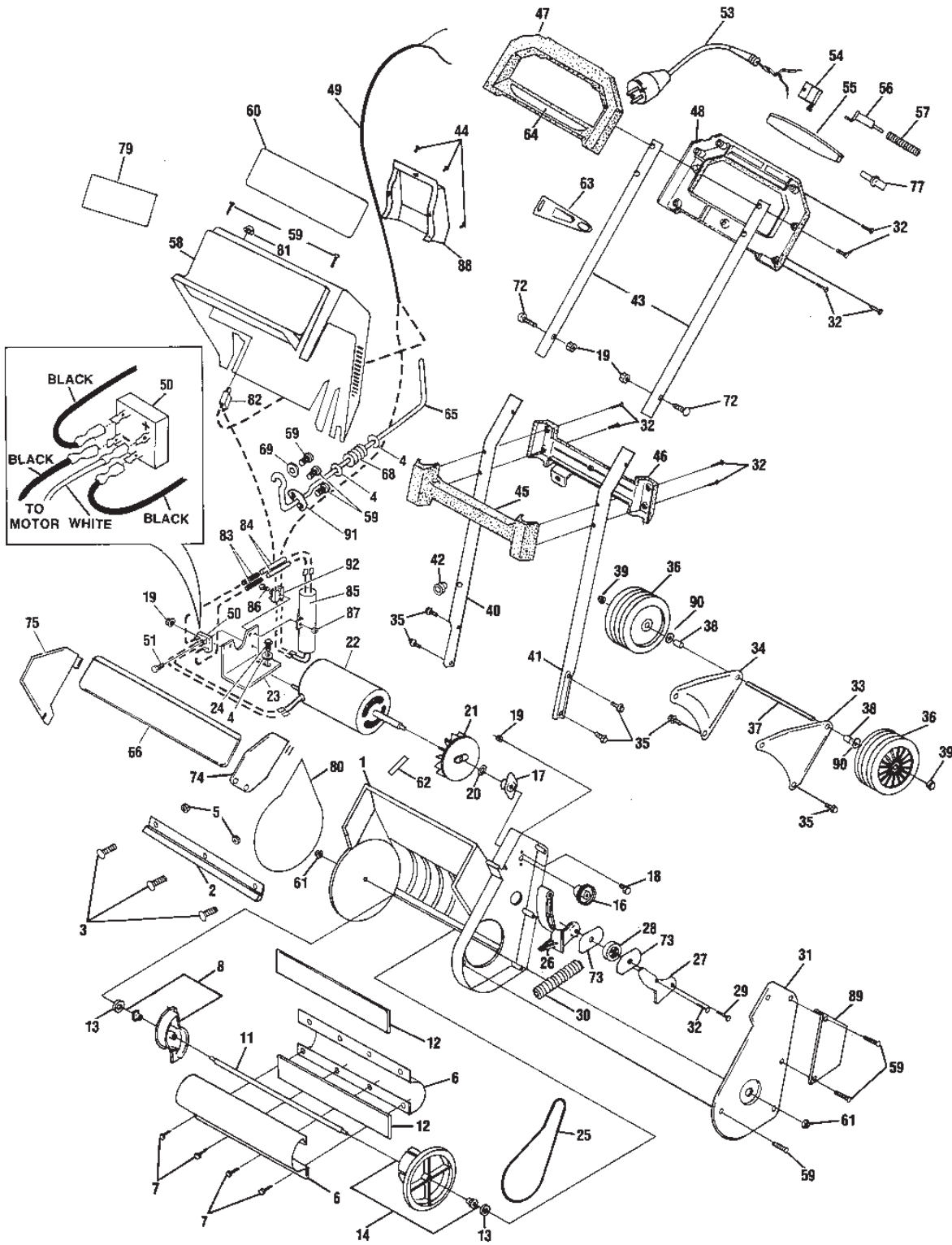
© Copyright 2014 Global Garden Products

All rights reserved. No part of this material may be reproduced or transmitted, in any form or by any means, electronic or mechanical, including photocopying, recording or by any information storage and retrieval system, without permission in writing from GLOBAL GARDEN PRODUCTS.

[www.stiga.com](http://www.stiga.com)



Utgåva Issue  32 - 2014					
Pos. Fig.	Antal Q.ty	Art nr Part No	Benämning	Description	Anmärkning Notes
81	1	1812-0498-01	Packning	Gasket	
53	1	1812-0499-01	Connector	Connector	
39	2	1812-0513-01	Låsning	Retainer	
24	2	1812-0648-01	Skruv	Screw	
32	13	1812-0733-01	Skruv	Screw	
3	3	1812-0735-01	Skruv	Carr.Bolt	
1	1	1812-0736-01	Hus	Housing	
11	1	1812-0737-01	Rotoraxel	Paddle shaft	
12	2	1812-0738-01	Rotorblad	Paddle	
16	1	1812-0739-01	Motorremskiva	Drive Pulley	
17	1	1812-0740-01	Lager	Bearing	
37	1	1812-0741-01	Hjulaxel	Wheel Axle	
36	2	1812-0742-01	Hjul	Wheel	
38	2	1812-0743-01	Hjuldistan	Wheels Spacer	
7	8	1812-0744-01	Skruv	Screw	
23	1	1812-0746-01	Motorfäste	Motor Mtg. Bracket	
20	1	1812-0747-01	Bricka	Washer	
25	1	1812-0748-01	Drivrem	Drive Belt	
26	1	1812-0749-01	Spännarm	Idler arm	
73	2	1812-0750-01	Belt retainer	Belt retainer	
27	1	1812-0751-01	Bearing	Bearing	
30	1	1812-0752-01	Fjäder	Spring	
31	1	1812-0753-01	Transmissionsskydd	Drive housing cover	
80	1	1812-0754-01	Skyddsplåt hö	Housing cover R.H.	
66	1	1812-0755-01	Slider	Slider	
74	2	1812-0756-01	Deflektorblad yttre	Outer vane	
75	4	1812-0757-01	Deflektorblad inre	Inner vane	
68	1	1812-0759-01	Fjäder	Spring	
42	1	1812-0760-01	Bussning	Bushing	
49	1	1812-0761-01	Kabel Kpl	Power Cord Assy.	
45	1	1812-0762-01	Bärhandtag Främre	Handle (Cover Half)	
46	1	1812-0763-01	Bärhandtag Bakre	Handle (Bottom Half)	
48	1	1812-0764-01	Handtag Bakre	Handle (Bottom Half)	
47	1	1812-0765-01	Handtag Främre	Handle (Cover Half)	
55	1	1812-0767-01	Starthandtag	Switch Bar	
56	1	1812-0768-01	Interlock-switch	Interlock-switch	
57	1	1812-0769-01	Fjäder	Spring	
77	1	1812-0770-01	Nyckel-Startspärr	Key-Switch Interlock	
2	1	1812-0772-01	Skrapskär	Scraper	
58	1	1812-0774-01	Plastkåpa	Motor shroud	
33	1	1812-0775-01	Wheel bracket L.H.	Wheel bracket L.H.	
6	2	1812-0777-01	Rotorhalva	Drum Segment	
8	1	1812-0782-01	Rotorhållare	End Cap & Bearing Assy	
14	1	1812-0783-01	Motorremskiva	Pulley & Bearing Assy	
29	1	1812-0784-01	Skruv	Screw	
83	2	1812-0785-01	Choke	Choke	
21	1	1812-0786-01	Kylfläkt	Motor Fan	
91	1	1812-0787-01	Base clamp	Base clamp	
88	1	1812-0788-01	Ventilation bakre	Rear vent	



Utgåva Issue 32 - 2014					
Pos. Fig.	Antal Q.ty	Art nr Part No	Benämning	Description	Anmärkning Notes
89	1	1812-0789-01	Side vent	Side vent	
85	1	1812-0791-01	Rf filter	Rf filter	
44	3	1812-0793-01	Skruv	Screw	
62	1	1812-0797-01	Drivstift	Roll Pin	
69	1	1812-0814-01	Bricka	Washer	
84	2	1812-0837-01	Isolering	Insulator	
35	8	1812-0944-01	Skruv	Screw	
92	1	1812-0961-01	Kopplingsbit	Terminal Block	
22	1	1812-0972-01	Elmotor	Motor	
86	1	1812-0973-01	Bult	Bolt	
87	1	1812-0974-01	Mutter	Nut	
50	1	1812-1129-01	Likriktare	Rectifier	
51	1	1812-1130-01	Skruv	Screw	
63	1	1812-1131-01	Strain relief,cord	Strain relief,cord	
41	1	1812-1132-01	Styrrör nedre vä	Handle tube, L.H low	
40	1	1812-1133-01	Styrrör nedre hö	Handle tube, R.H low	
43	2	1812-1134-01	Styrrör övre	Handle tube upper	
64	1	1812-1135-01	Dekal	Label	
79	1	1812-1136-01	Dekal	Label	
60	1	1812-1137-01	Dekal	Label	
54	1	1812-1138-01	Brytare	Switch	
82	1	1812-1139-01	Circuit breaker	Circuit breaker	
34	1	1812-1140-01	Hjulstag Hö	Bracket R.H.	
65	1	1812-1141-01	Inställningsspak	Actuator Rod	
72	2	1812-1142-01	Plastskruv	Plastic Handle Bolt	
28	1	9549-0044-00	Kullager	Ball Bearing	
13	2	9693-0026-02	Bricka	Washer	
4	4	9699-0026-02	Bricka	Washer	
90	2	9699-0028-02	Bricka	Washer	
5	3	9743-3521-32	Mutter	Nut	
19	6	9743-3521-32	Mutter	Nut	
61	2	9743-3621-32	Mutter	Nut	
59	12	9847-8016-16	Skruv	Screw	
18	2	9988-3513-16	Skruv	Screw	

code	pos.	q.ty	page				
1812-0498-01	81	1	p. 3	1812-1135-01	64	1	p. 5
1812-0499-01	53	1	p. 3	1812-1136-01	79	1	p. 5
1812-0513-01	39	2	p. 3	1812-1137-01	60	1	p. 5
1812-0648-01	24	2	p. 3	1812-1138-01	54	1	p. 5
1812-0733-01	32	13	p. 3	1812-1139-01	82	1	p. 5
1812-0735-01	3	3	p. 3	1812-1140-01	34	1	p. 5
1812-0736-01	1	1	p. 3	1812-1141-01	65	1	p. 5
1812-0737-01	11	1	p. 3	1812-1142-01	72	2	p. 5
1812-0738-01	12	2	p. 3	9549-0044-00	28	1	p. 5
1812-0739-01	16	1	p. 3	9693-0026-02	13	2	p. 5
1812-0740-01	17	1	p. 3	9699-0026-02	4	4	p. 5
1812-0741-01	37	1	p. 3	9699-0028-02	90	2	p. 5
1812-0742-01	36	2	p. 3	9743-3521-32	5	3	p. 5
1812-0743-01	38	2	p. 3	9743-3521-32	19	6	p. 5
1812-0744-01	7	8	p. 3	9743-3621-32	61	2	p. 5
1812-0746-01	23	1	p. 3	9847-8016-16	59	12	p. 5
1812-0747-01	20	1	p. 3	9988-3513-16	18	2	p. 5
1812-0748-01	25	1	p. 3				
1812-0749-01	26	1	p. 3				
1812-0750-01	73	2	p. 3				
1812-0751-01	27	1	p. 3				
1812-0752-01	30	1	p. 3				
1812-0753-01	31	1	p. 3				
1812-0754-01	80	1	p. 3				
1812-0755-01	66	1	p. 3				
1812-0756-01	74	2	p. 3				
1812-0757-01	75	4	p. 3				
1812-0759-01	68	1	p. 3				
1812-0760-01	42	1	p. 3				
1812-0761-01	49	1	p. 3				
1812-0762-01	45	1	p. 3				
1812-0763-01	46	1	p. 3				
1812-0764-01	48	1	p. 3				
1812-0765-01	47	1	p. 3				
1812-0767-01	55	1	p. 3				
1812-0768-01	56	1	p. 3				
1812-0769-01	57	1	p. 3				
1812-0770-01	77	1	p. 3				
1812-0772-01	2	1	p. 3				
1812-0774-01	58	1	p. 3				
1812-0775-01	33	1	p. 3				
1812-0777-01	6	2	p. 3				
1812-0782-01	8	1	p. 3				
1812-0783-01	14	1	p. 3				
1812-0784-01	29	1	p. 3				
1812-0785-01	83	2	p. 3				
1812-0786-01	21	1	p. 3				
1812-0787-01	91	1	p. 3				
1812-0788-01	88	1	p. 3				
1812-0789-01	89	1	p. 5				
1812-0791-01	85	1	p. 5				
1812-0793-01	44	3	p. 5				
1812-0797-01	62	1	p. 5				
1812-0814-01	69	1	p. 5				
1812-0837-01	84	2	p. 5				
1812-0944-01	35	8	p. 5				
1812-0961-01	92	1	p. 5				
1812-0972-01	22	1	p. 5				
1812-0973-01	86	1	p. 5				
1812-0974-01	87	1	p. 5				
1812-1129-01	50	1	p. 5				
1812-1130-01	51	1	p. 5				
1812-1131-01	63	1	p. 5				
1812-1132-01	41	1	p. 5				
1812-1133-01	40	1	p. 5				
1812-1134-01	43	2	p. 5				