

Genuine Spare Parts

www.stiga.com

SNOW FLAKE-POWER Model Year 2011/12

includes:

18-2829-32 Snow Flake

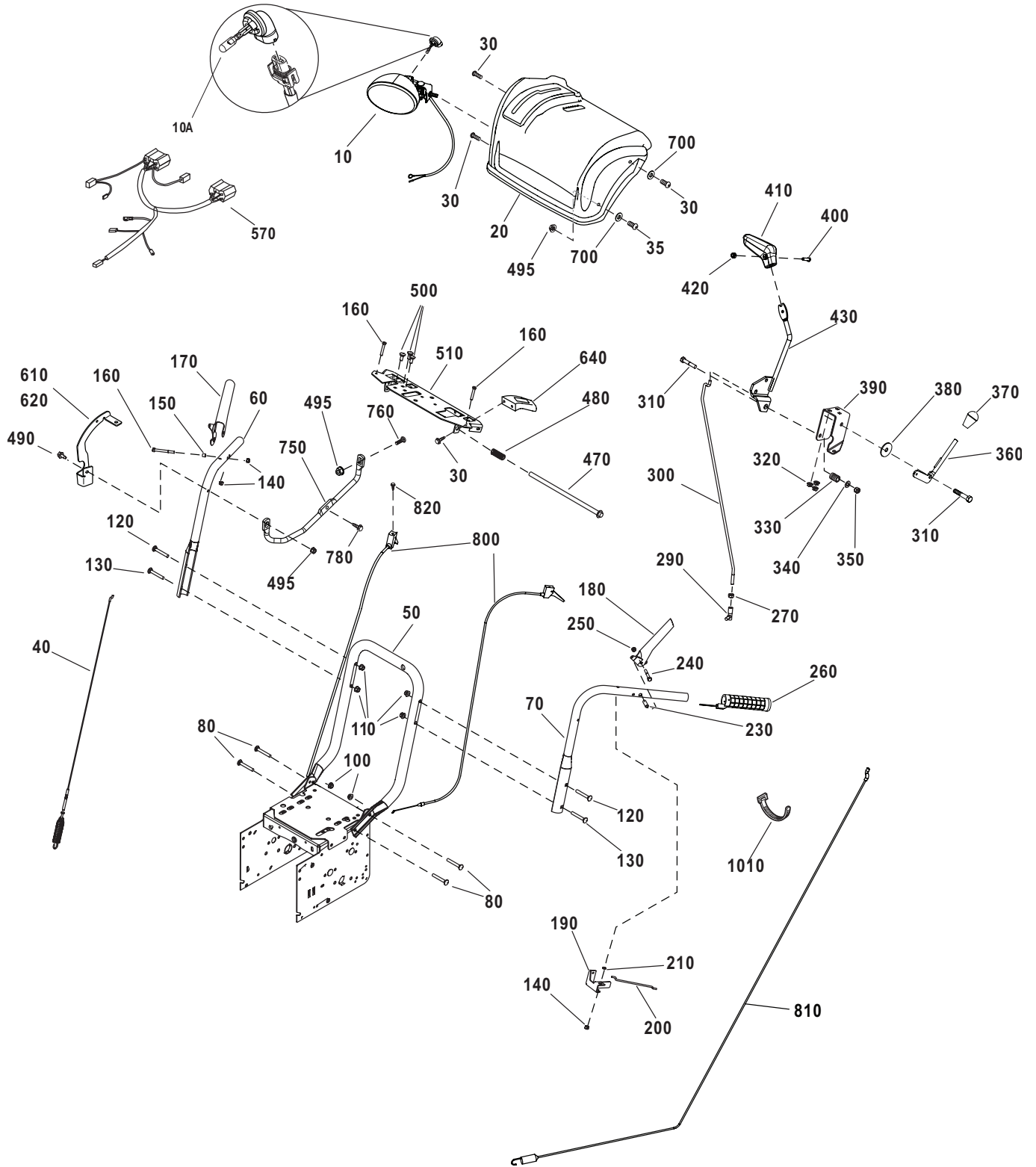
18-2847-32 Snow Power

- Use GLOBAL GARDEN PRODUCT Genuine Spare Parts specified in the parts list for repair and/or replacement.
- The contents described in the parts list may change due to improvement.
- The drawings of the spare parts are only indicative and might not represent the part in question exactly.
- The indications "right" - "left" - "front" - "rear" refer to the position of the operator when using the machine.
- When placing orders of parts for repair and/or replacement, make sure that the illustrated parts list is the one applying to the machine's year of manufacture, as shown on the identification plate attached to the machine.

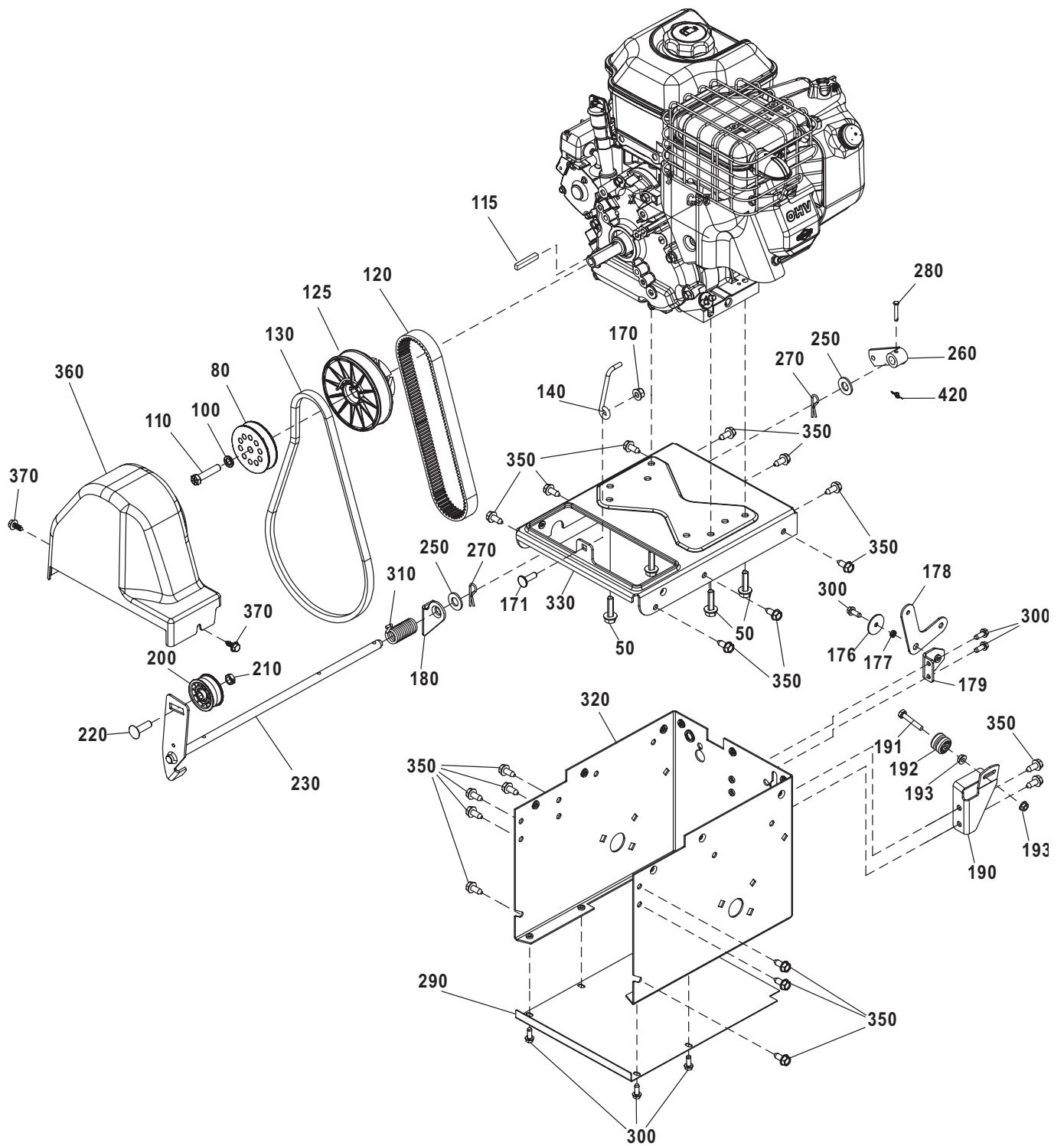
COPYRIGHT by GLOBAL GARDEN PRODUCTS

All rights reserved. No part of this material may be reproduced or transmitted, in any form or by any means, electronic or mechanical, including photocopying, recording or by any information storage and retrieval system, without permission in writing from GLOBAL GARDEN PRODUCTS.

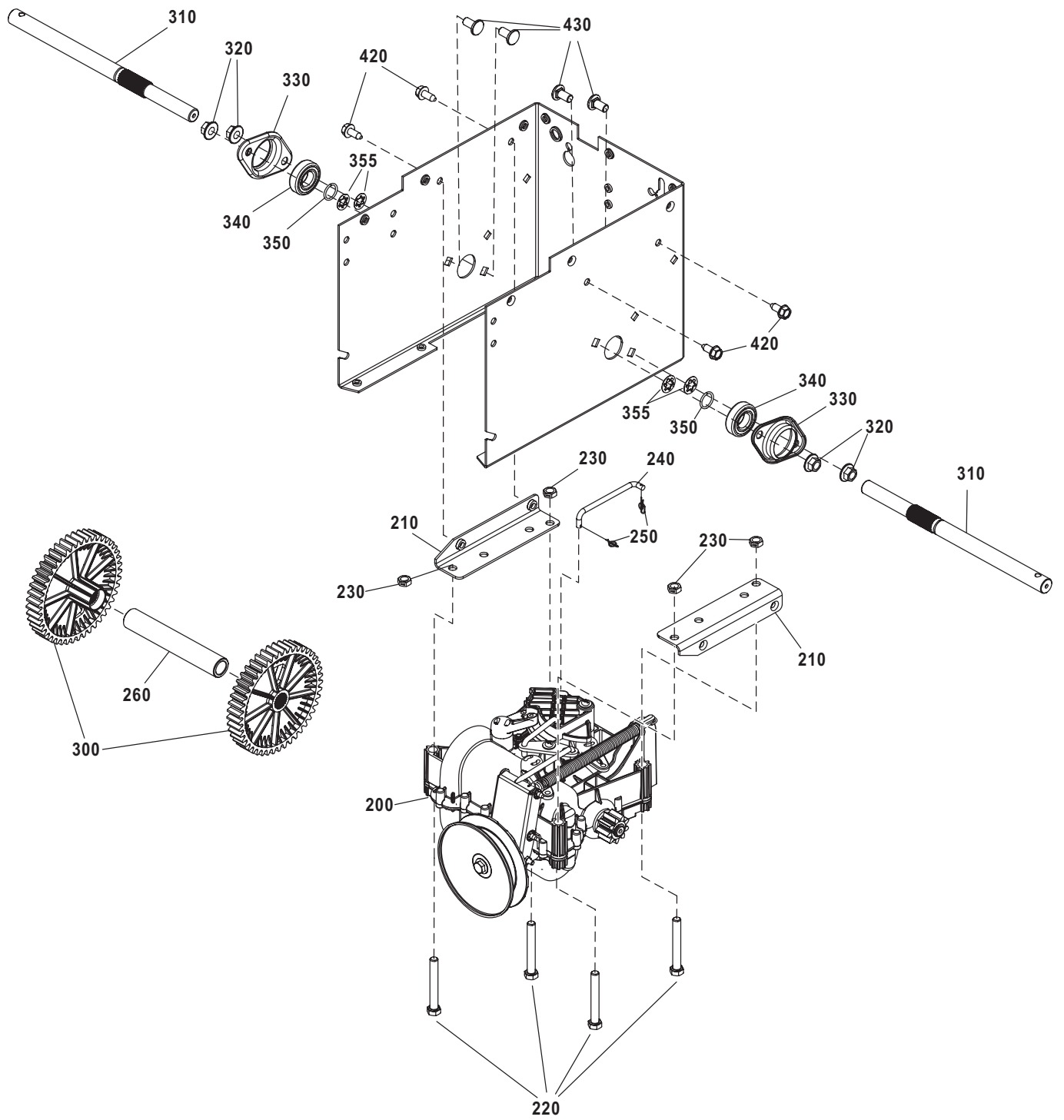




Utgåva Issue 2011-14		Bildnr Picture No 2774A		SNOW FLAKE- SNOW POWER STYRE REGLAGE		SNOW FLAKE- SNOW POWER HANDLE CONTROLS		Sida Page 82	
Pos. Fig.	Antal/Quantity				Art nr Part No	Benämning	Description	Sats Kit	Anmärkning Notes
	2829 -32	2847 -32							
10	1	1			1812-2548-01	Strålkastare kpl.....	Headlight assy.....		
10A	1	1			1812-1909-01	• Halogenlampa.....	• Halogene bulb		
20	1	1			1812-2628-01	Panel	Panel cover		
30	6	6			1812-2644-01	Skruv	Screw		
35	1	1			1812-2265-01	Skruv	Screw		
40	1	1			1812-2542-01	Reglagewire- snöskruv	Drive cable- auger		
50	1	1			1812-2519-01	Styre- undre.....	Handle- lower		
60	1	1			1812-2540-01	Styre- övre, hö	Handle- upper, RH		
70	1	1			1812-2541-01	Styre- övre, vä	Handle- upper, LH		
80	4	4			1812-2545-01	Vagnsbult	Carriage bolt		
100	4	4			9795-3631-02	Mutter.....	Nut		
110	6	6			9743-3621-32	Mutter.....	Nut		
120	2	2			1812-2479-01	Vagnsbult	Carriage bolt		
130	2	2			1812-2476-01	Vagnsbult	Carriage bolt		
140	4	4			9743-3521-32	Mutter.....	Nut		
150	2	2			1812-2148-01	Distans	Spacer		
160	4	4			9988-3545-12	Skruv	Screw		
170	1	1			1812-2606-01	Koppl.reglage- hö	Clutch lever- RH		
180	1	1			1812-2605-01	Koppl.reglage- vä	Clutch lever- LH		
190	1	1			1812-2231-01	Fäste	Bracket		
200	1	1			1812-2404-01	Stång	Hold down rod		
210	1	1			1812-2206-01	Distans	Spacer		
230	2	2			1812-2412-01	Distans	Stepped spacer		
240	2	2			1812-2623-01	Ansatsbult	Shoulder bolt		
250	2	2			1812-2256-01	Mutter.....	Nut		
260	2	2			1812-2351-01	Handtag	Hand grip		
270	1	1			9794-5131-02	Mutter.....	Nut		
290	1	1			1812-2562-01	Kulled	Ball joint		
300	1	1			1812-2529-01	Reglagestång.....	Speed select rod		
310	2	2			9988-3751-12	Skruv	Screw		
320	3	3			9727-3641-22	Mutter.....	Nut		
330	2	2			1812-0304-01	Fjäder.....	Spring		
340	2	2			9699-0029-02	Planbricka.....	Flat washer.....		
350	2	2			9743-3721-32	Mutter.....	Nut		
X 360	1	1			1812-2725-01	Spak- deflektor.....	Lever- deflector contr.....		
370	1	1			1812-2182-01	Knopp.....	Knob		
380	1	1			1812-2648-01	Distans	Spacer		
390	1	1			1812-2417-01	Fäste	Controls brkt.....		
400	1	1			1812-2481-01	Skruv	Screw		
410	1	1			1812-2379-01	Knopp.....	Knob		
420	2	2			1812-2256-01	Mutter.....	Nut		
X 430	1	1			1812-2511-01	Regl.spak- hastighet	Speed lever		
470	1	1			1812-2718-01	Stång & fjäder	Rod & spring		
480	1	1			1812-2268-01	Tryckfjäder.....	Comp spring		
490	2	2			9988-3545-12	Skruv	Screw		
495	4	4			9743-3521-32	Mutter.....	Nut		
500	3	3			9899-3622-16	Skruv	Screw		
510	1	1			1812-2575-01	Panelfäste.....	Dash support		
570	1	1			1812-2632-01	Kablage.....	Wiring harness.....		
610	1	1			1812-2621-01	Fäste- hö	Mounting brkt- RH		
620	1	1			1812-2620-01	Fäste- vä	Mounting brkt- LH.....		
640	1	1			1812-2573-01	Brytarfäste- hö	Chute rotation pod- RH		
700	3	3			9699-0026-02	Planbricka.....	Flat washer.....		
750	1	1			1812-2543-01	Stag	Shift brace.....		
760	1	1			1812-2486-01	Vagnsbult	Carriage bolt		
780	1	1			1812-2474-01	Skruv	Screw		
800	2	2			1812-2538-01	Wire- styrkontroll.....	Cable- steering contr.....		
810	1	1			1812-2539-01	Wire- drivning.....	Cable- traction drive		
820	2	2			1812-2650-01	Skruv	Screw		
1010	4	4			9579-0003-00	Buntband.....	Cable holder.....		
X 9999	1	1			8218-2249-20	Bruksanvisning.....	Owner's manual		Ej ill/not ill.



Utgåva Issue 2011-14		Bildnr Picture No 2775		SNOW FLAKE- SNOW POWER RAM MOTOR		SNOW FLAKE- SNOW POWER FRAME ENGINE		Sida Page 84	
Pos. Fig.	Antal/Quantity			Art nr Part No	Benämning	Description	Sats Kit	Anmärkning Notes	
	2829 -32	2847 -32							
50	4	4		9955-3732-12	Skruv.....	Screw.....			
80	1	1		1812-2537-01	Remskiva.....	Belt pulley.....			
100	1			9683-0030-02	Låsbricka.....	Lock washer.....		5/16"	
100		1		9683-0035-02	Låsbricka.....	Lock washer.....		3/8"	
110	1			9987-5145-12	Skruv.....	Screw.....		5/16-24x1-3/4"	
110		1		9987-5245-12	Bult.....	Bolt.....		3/8-24x1-3/4"	
115	1	1		1812-2645-01	Kil.....	Key.....			
120	1	1		1812-2515-01	Rem.....	Belt.....			
125	1	1		1812-2507-01	Remskiva.....	Belt pulley.....			
130	1	1		1812-9020-01	Drivrem.....	Drive belt.....			
140	1	1		1812-2532-01	Remstyrning.....	Belt stop.....			
170	1	1		9795-3631-02	Mutter.....	Nut.....			
171	1	1		9899-3625-16	Skruv.....	Screw.....			
176	1	1		1812-2643-01	Bricka.....	Washer.....			
177	1	1		1812-2206-01	Distans.....	Spacer.....			
178	1	1		1812-2527-01	Arm.....	Bell crank.....			
179	1	1		1812-2526-01	Fäste- nedre.....	Bracket- lower.....			
180	1	1		1812-2522-01	Stödfäste- spännarm.....	Supp.brkt- auger idler.....			
190	1	1		1812-2530-01	Fäste- ledrulle.....	Bracket- guide wheel.....			
191	1	1		9988-3538-12	Skruv.....	Screw.....			
192	1	1		1812-1205-01	Spole.....	Spool.....			
193	2	2		9743-3521-32	Mutter.....	Nut.....			
200	1	1		1812-2077-01	Spännrulle.....	Tension roller.....			
210	1	1		9743-3721-32	Mutter.....	Nut.....			
220	1	1		9899-3732-16	Skruv.....	Screw.....			
230	1	1		1812-2521-01	Spännarm- snöskruv.....	Auger idler.....			
250	2	2		9699-0038-02	Planbricka.....	Flat washer.....			
260	1	1		1812-2308-01	Reglagearm.....	Control arm.....			
270	2	2		1812-2490-01	Låsnål.....	Hair pin.....			
280	1	1		1812-2407-01	Sprint.....	Clevis pin.....			
290	1	1		1812-2516-01	Bottenplåt.....	Bottom panel.....			
300	7	7		1812-2250-01	Skruv.....	Screw.....			
310	1	1		1812-2531-01	Vridfjäder.....	Torsional spring.....			
320	1	1		1812-2514-01	Ram.....	Frame box.....			
X 330		1		1812-2736-01	Motorplatta.....	Plate, engine mount.....			
X 330	1			1812-2737-01	Motorplatta.....	Plate, engine mount.....			
350	19	19		1812-2141-01	Skruv.....	Screw.....			
360	1	1		1812-2622-01	Remskydd.....	Belt cover.....			
X 370	2	2		1812-2748-01	Skruv.....	Screw.....			
420	1	1		1812-2281-01	Låsnål.....	Cotter pin.....			



Utgåva Issue		Bildnr Picture No		SNOW FLAKE- SNOW POWER DRIVNING	SNOW FLAKE- SNOW POWER TRANSMISSION	Sida Page		
2011-14		2776				86		
Pos. Fig.	Antal/Quantity			Art nr Part No	Benämning	Description	Sats Kit	Anmärkning Notes
	2829 -32	2847 -32						
200	1	1		1812-2508-01	Transmission kpl	Transmission assy		
210	2	2		1812-2518-01	Fäste	Bracket		
220	4	4		1812-2658-01	Skruv	Cap screw		
230	4	4		9743-3721-32	Mutter	Nut		
240	1	1		1812-2528-01	Reglagestång	Speed select rod		
250	2	2		1812-2281-01	Låsnål	Cotter pin		
260	1	1		1812-2524-01	Stödrör	Support tube		
300	2	2		1812-2525-01	Drev	Drive gear		
310	2	2		1812-2523-01	Axel	Axle		
320	4	4		1132-0695-01	Mutter	Nut		
330	2	2		1812-2408-01	Lagerhållare	Bearing retainer		
340	2	2		1812-1920-01	Kullager	Ball bearing		
350	2	2		1812-2546-01	Låsring	Retaining ring		
355	4	4		1812-2647-01	Låsbricka	Bolt retainer		
420	4	4		1812-2141-01	Skruv	Screw		
430	4	4		1812-2544-01	Vagnsbult	Carriage bolt		

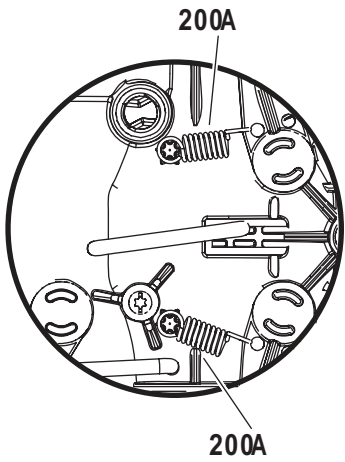
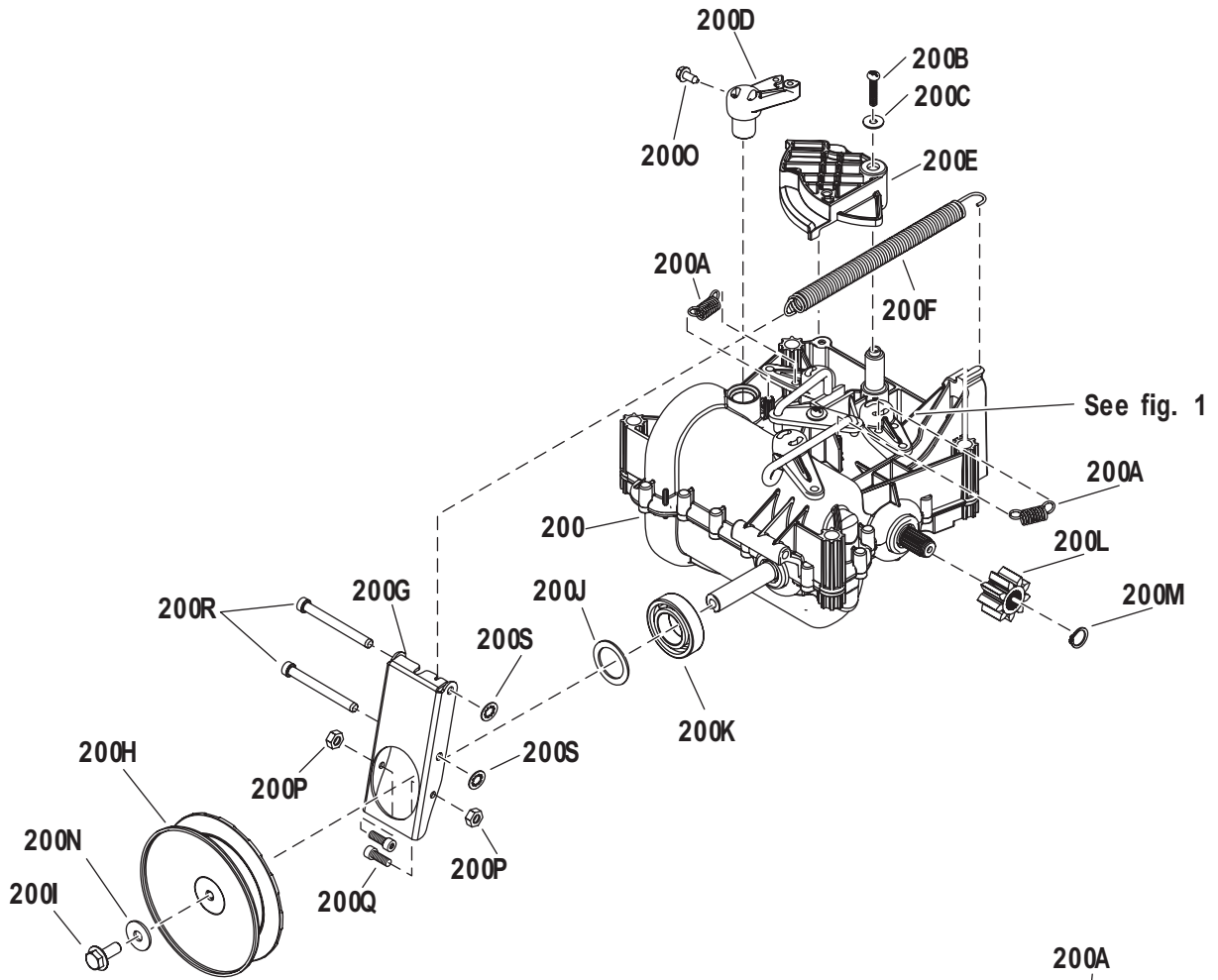
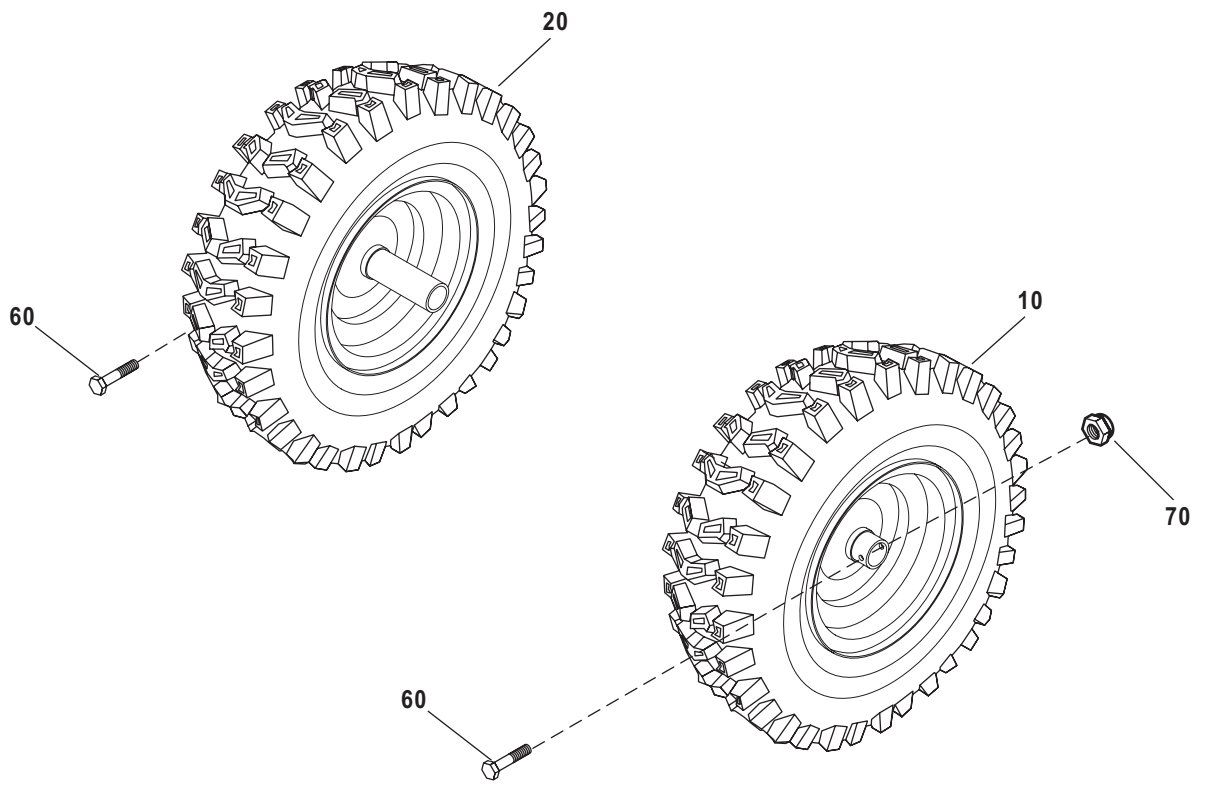
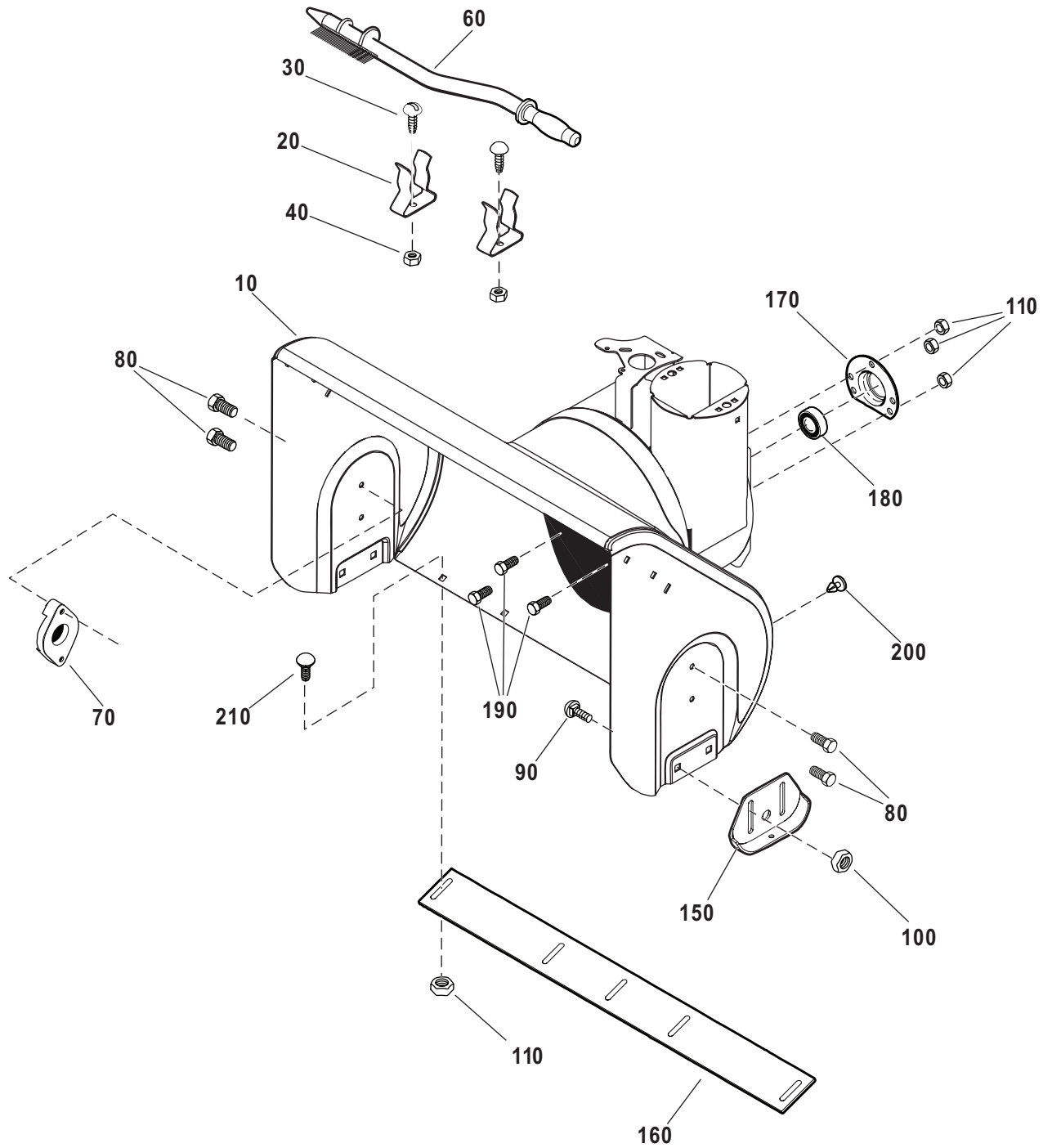


Fig. 1
Top View of Transmission

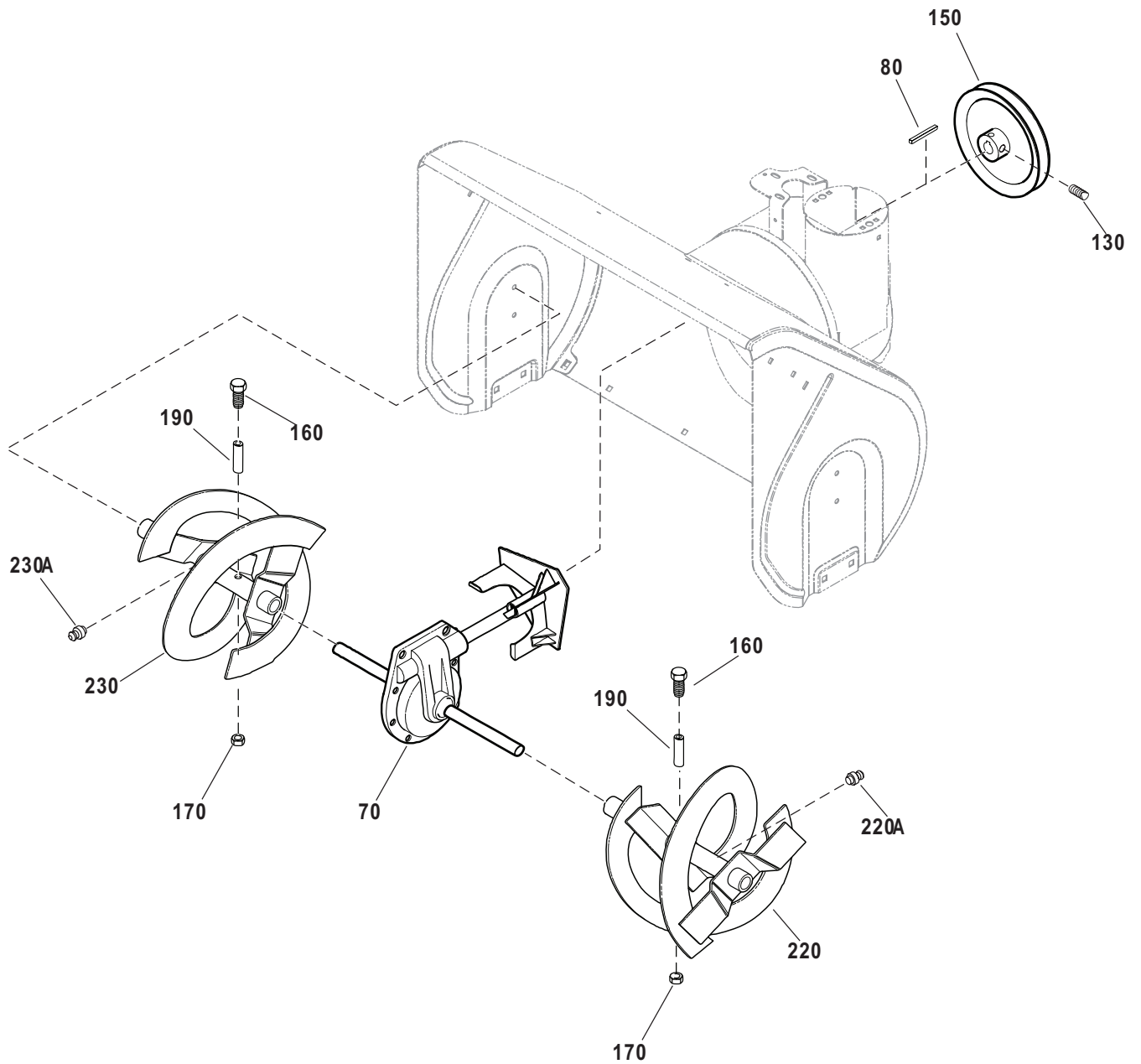
Utgåva Issue 2011-14		Bildnr Picture No 2777		SNOW FLAKE- SNOW POWER TRANSMISSION KPL RESERVDELAR		SNOW FLAKE- SNOW POWER TRANSMISSION ASSY SERVICE PARTS		Sida Page 88	
Pos. Fig.	Antal/Quantity				Art nr Part No	Benämning	Description	Sats Kit	Anmärkning Notes
	2829 -32	2847 -32							
200	1	1			1812-2508-01	Transmission kpl	Transmission assy		
200A	2	2			1812-2596-01	• Fjäder	• Traction spring		
200B	1	1			1812-2595-01	• Skruv	• Screw		
200C	1	1			1812-2591-01	• Bricka	• Washer		
200D	1	1			1812-2592-01	• Arm	• Lever		
200E	1	1			1812-2594-01	• Reglagekam	• Control cam		
200F	1	1			1812-2590-01	• Fjäder	• Variator spring		
200G	1	1			1812-2583-01	• Arm	• Shift arm		
200H	1	1			1812-2582-01	• Remskiva	• Pulley		
200I	1	1			1812-2580-01	• Skruv- vä	• Screw- left		
200J	1	1			1812-2588-01	• Bricka	• Washer		
200K	1	1			1812-2589-01	• Kullager	• Ball bearing		
200L	2	2			1812-2598-01	• Drev	• Gear		
200M	2	2			1812-2597-01	• Hållare- drev	• Retainer		
200N	1	1			1812-2581-01	• Bricka	• Washer		
200O	4	4			1812-2593-01	• Skruv	• Screw		
200P	2	2			1812-2584-01	• Mutter	• Nut		
200Q	2	2			1812-2585-01	• Insexbult	• Allen bolt		
200R	2	2			1812-2586-01	• Sprint	• Pin		
200S	4	4			1812-2587-01	• Starlockbricka	• Starlock washer		



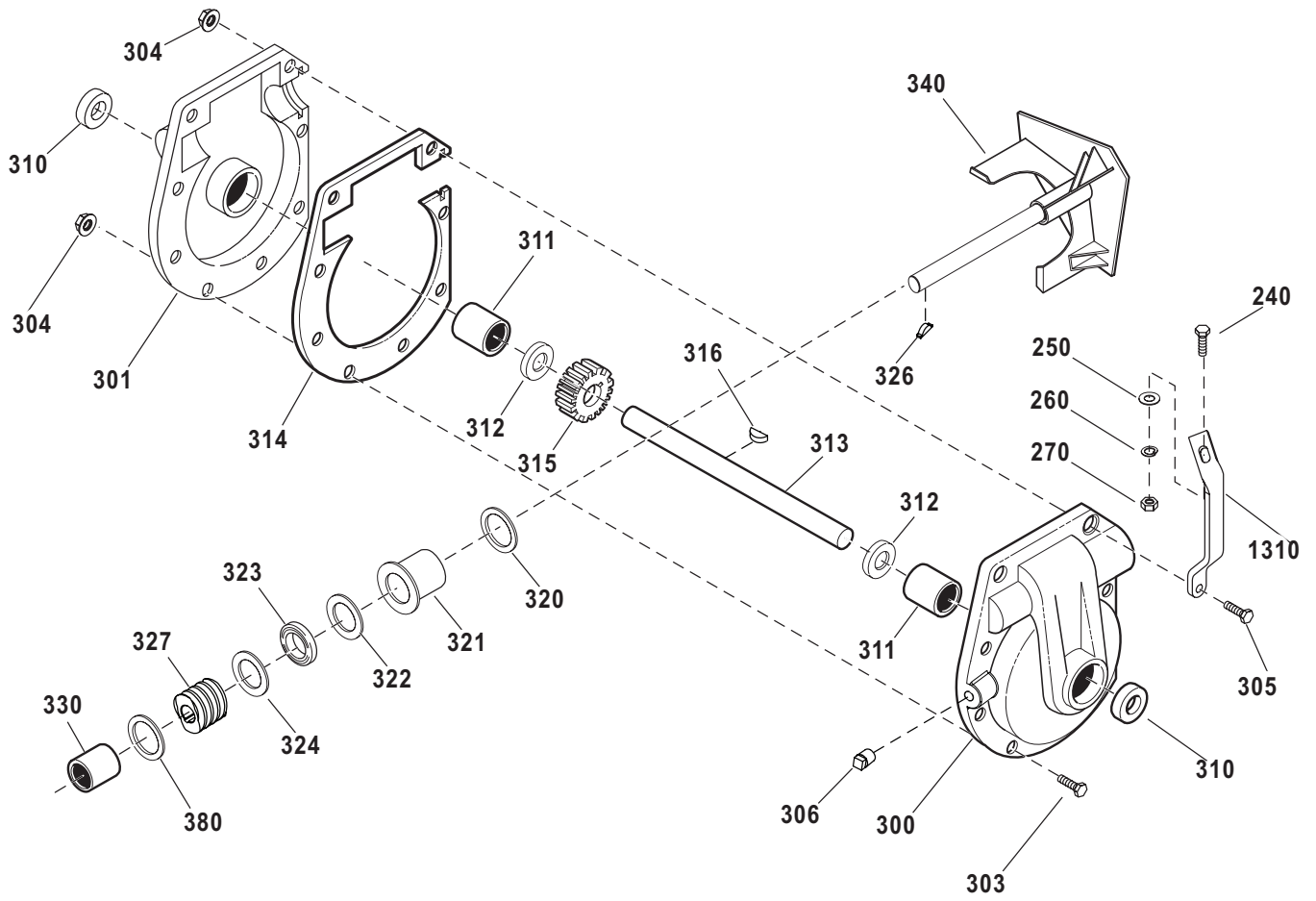
Utgåva Issue 2011-14		Bildnr Picture No 2778		SNOW FLAKE- SNOW POWER HJUL		SNOW FLAKE- SNOW POWER WHEELS		Sida Page 90	
Pos. Fig.	Antal/Quantity				Art nr Part No	Benämning	Description	Sats Kit	Anmärkning Notes
	2829 -32	2847 -32							
10	1	1			1812-2633-01	Hjul kpl- vä.....	Wheel & tire assy- LH		
20	1	1			1812-2634-01	Hjul kpl- hö	Wheel & tire assy- RH		
60	2	2			1812-1114-01	Bult	Bolt		
70	2	2			1812-1760-01	Mutter	Nut		



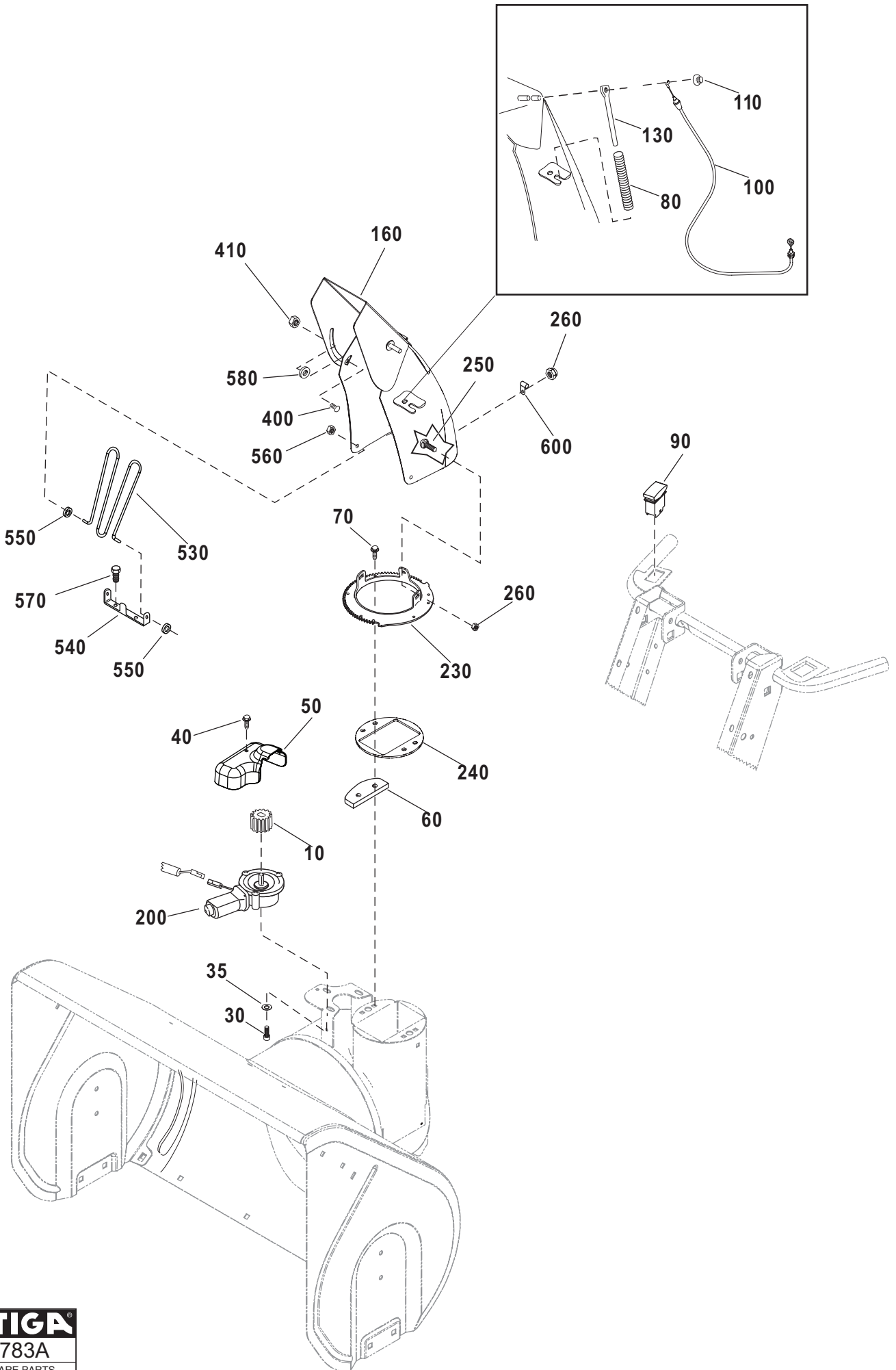
Utgåva Issue		Bildnr Picture No		SNOW FLAKE- SNOW POWER INMATNINGSHUS	SNOW FLAKE- SNOW POWER AUGER HOUSING	Sida Page		
2011- 14		2779				92		
Pos. Fig.	Antal/Quantity			Art nr Part No	Benämning	Description	Sats Kit	Anmärkning Notes
	2829 -32	2847 -32						
X	10	1		1812-2720-01	Inmatningshus.....	Auger housing.....		29" (74 cm)
X	10		1	1812-2721-01	Inmatningshus.....	Auger housing.....		33" (84 cm)
	20	2	2	1812-2413-01	Klämma	Spring clamp.....		
	30	2	2	1812-2480-01	Skruv	Screw		
	40	2	2	1812-2655-01	Mutter.....	Nut		
	60	1	1	1812-2400-01	Borste.....	Cleanout brush.....		
	70	2	2	1812-0347-01	Lager	Bearing.....		
	80	4	4	1812-1833-01	Skruv	Screw		
	90	4	4	1812-2487-01	Vagnsbult	Carriage bolt		
	100	4	4	9743-3721-32	Mutter	Nut		
	110	7	9	9727-3641-22	Mutter.....	Nut		
	150	2	2	1812-2466-01	Släpsko.....	Skid shoe		
	160	1		1812-2436-01	Skrapskär	Scraper blade		29"
	160		1	1812-2446-01	Skrapskär	Scraper blade		33"
	170	1	1	1812-1690-01	Kullagerhållare.....	Ball bearing retainer		
	180	1	1	1812-2373-01	Kullager	Ball bearing		
	190	3	3	9899-3622-16	Skruv	Screw		
	200	2	2	1812-1430-01	Plugg.....	Plug		
	210	4	9	1812-2485-01	Vagnsbult	Carriage bolt		



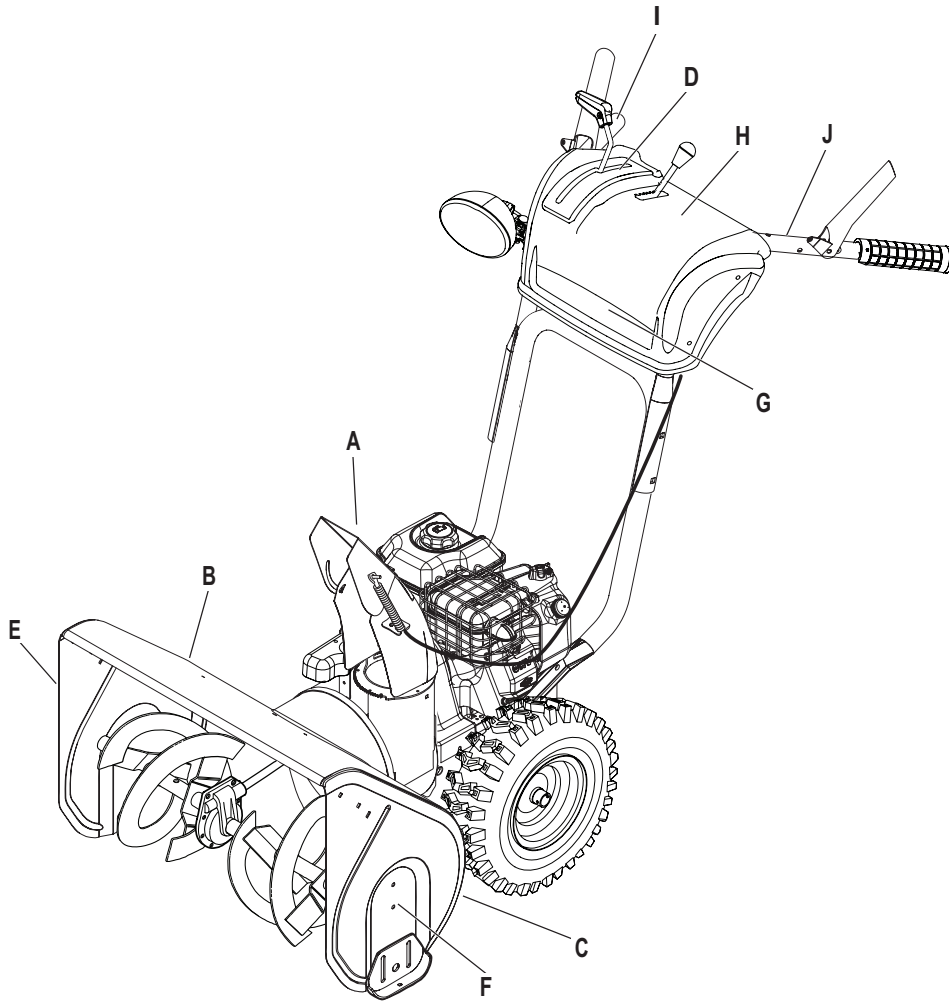
Utgåva Issue 2011-14		Bildnr Picture No 2780A		SNOW FLAKE- SNOW POWER SNÖSKRUV		SNOW FLAKE- SNOW POWER AUGER		Sida Page 94	
Pos. Fig.	Antal/Quantity				Art nr Part No	Benämning	Description	Sats Kit	Anmärkning Notes
	2829 -32	2847 -32							
X 70	1				1812-2759-01	Snäckväxel kpl.....	Gear case assy		29"
X 70		1			1812-2760-01	Snäckväxel kpl.....	Gear case assy		33"
80	1	1			1812-1609-01	Kil	Key		
130	3	3			1812-2640-01	Stoppskruv	Set screw		
150	1	1			1812-1854-01	Remskiva- snöskruv	Auger pulley		
160	2				1812-9005-01	Brytbultsats	Shear bolt kit.....		Inkl. pos 170-190
160		2			1812-9006-01	Brytbultsats	Shear bolt kit.....		Inkl. pos 170
170		2			1812-0811-01	• Låsmutter	• Locking nut		5/16"
170	2				1812-0812-01	• Låsmutter	• Locking nut		1/4"
190	2				1812-0531-01	• Distans	• Spacer.....		
220		1			1812-2423-01	Snöskruv- vä.....	Auger- LH		33"
220	1				1812-2463-01	Snöskruv- vä.....	Auger- LH		29"
220A	1	1			1812-2491-01	• Smörjnippel	• Grease fitting.....		
230		1			1812-2424-01	Snöskruv- hö	Auger- RH		33"
230	1				1812-2464-01	Snöskruv- hö	Auger- RH		29"
230A	1	1			1812-2491-01	• Smörjnippel	• Grease fitting.....		



Utgåva Issue		Bildnr Picture No		SNOW FLAKE- SNOW POWER SNÄCKVÄXEL		SNOW FLAKE- SNOW POWER GEAR CASE		Sida Page	
2011- 14		2782A						96	
Pos. Fig.	Antal/Quantity			Art nr Part No	Benämning	Description	Sats Kit	Anmärkning Notes	
	2829 -32	2847 -32							
240		1		9988-3632-12	Skruv.....	Screw.....			
250		2		9699-0029-02	Planbricka.....	Flat washer.....			
260		1		9683-0030-02	Låsbricka.....	Lock washer.....			
270		1		1812-1759-01	Mutter.....	Nut.....			
300	1	1		1812-0227-01	Snäckväxelhus- vä.....	Gear case- LH.....			
301	1	1		1812-0228-01	Snäckväxelhus- hö.....	Gear case- RH.....			
303	7	7		9987-5125-16	Skruv.....	Screw.....			
304	8	8		9743-5121-02	Mutter.....	Nut.....			
305	1	1		9987-5145-12	Skruv.....	Screw.....			
306	1	1		1812-0346-01	Oljeplugg.....	Oil plug.....			
310	2	2		1812-0344-01	Tätningring.....	Ring.....			
311	2	2		1812-0343-01	Lager.....	Bearing.....			
312	2	2		1812-0345-01	Bricka.....	Washer.....			
313	1			1812-1442-01	Snöskruvaxel.....	Auger shaft.....		29"	
313		1		1812-2363-01	Snöskruvaxel.....	Auger shaft.....		33"	
314	1	1		1812-0226-01	Packning.....	Gasket.....			
X 315	1	1		1812-2755-01	Snäckdrev.....	Worm gear.....			
316	1	1		1812-0409-01	Woodruffkil.....	Woodruffkey.....			
320	1	1		1812-0341-01	Tätningring.....	Ring.....			
321	1	1		1812-1259-01	Flänslager.....	Flange bearing.....			
322	1	1		1812-0857-01	Bricka.....	Thrust washer.....			
323	1	1		1812-0285-01	Nållager.....	Needle bearing.....			
324	2	2		1812-0857-01	Bricka.....	Thrust washer.....			
326	1	1		1812-0307-01	Kil.....	Key.....			
327	1	1		1812-0336-01	Snäckdrev.....	Gear.....			
330	1	1		1812-0297-01	Lager.....	Bearing.....			
X 340	1			1812-2756-01	Fläkt.....	Impeller.....			
X 340		1		1812-2758-01	Fläkt.....	Impeller.....			
X 380	1	1		1812-2757-01	Låsring.....	Retaining ring.....			
1310		1		1812-2447-01	Stag.....	Gear box brace.....			



Utgåva Issue		Bildnr Picture No		SNOW FLAKE- SNOW POWER UTKAST	SNOW FLAKE- SNOW POWER DISCHARGE CHUTE	Sida Page		
2011- 14		2783A				98		
Pos. Fig.	Antal/Quantity			Art nr Part No	Benämning	Description	Sats Kit	Anmärkning Notes
	2829 -32	2847 -32						
X 10	1	1		1812-2375-01	Drev.....	Pinion.....		
30	3	3		1812-2741-01	Skruv.....	Screw.....		
35	3	3		9699-0099-02	Bricka.....	Washer.....		
40	1	1		1812-2474-01	Skruv.....	Screw.....		
50	1	1		1812-2415-01	Lock.....	Cover.....		
60	3	3		1812-2280-01	Hållare.....	Retainer.....		
70	6	6		1812-2257-01	Skruv.....	Screw.....		
80	1	1		1812-2509-01	Tryckfjäder.....	Compr. spring.....		
90	1	1		1812-2533-01	Strömbrytare.....	Switch- chute rotate.....		
100	1	1		1812-2626-01	Wire- deflektor.....	Cable- deflector contr.....		
110	1	1		1812-2255-01	Låsning.....	Push nut.....		
130	1	1		1812-2510-01	Stång.....	Spring guide rod.....		
160	1	1		1812-2535-01	Utkast.....	Chute.....		
X 200	1	1		1812-2735-01	Motor- rotation.....	Motor- spout rotator.....		
230	1	1		1812-2536-01	Ringdrev- utkast.....	Chute gear.....		
240	1	1		1812-2534-01	Adapter.....	Adapter- chute ring.....		
250	4	4		1812-1831-01	Skruv.....	Screw.....		
260	4	4		9795-3531-02	Mutter.....	Nut.....		
400	1	1		9899-3625-16	Skruv.....	Screw.....		
410	1	1		9743-3621-32	Mutter.....	Nut.....		
530	1	1		1812-2381-01	Utkastskydd.....	Chute guard.....		
540	1	1		1812-2416-01	Fäste.....	Chute guard brkt.....		
550	2	2		1812-2426-01	Hylsa.....	Grommet.....		
560	2	2		1812-2478-01	Snabbmutter.....	Push nut.....		
570	2	2		1812-2473-01	Skruv.....	Screw.....		
580	1	1		1812-2278-01	Nylonbricka.....	Nylon washer.....		
600	1	1		1812-2565-01	Kabelhållare.....	Cable clip.....		



1



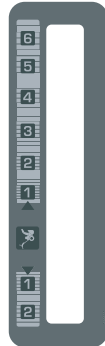
A



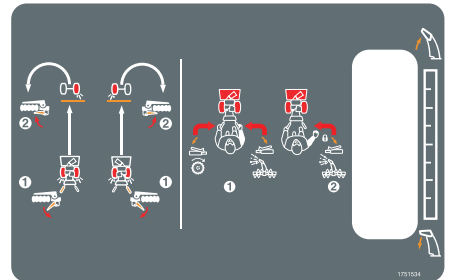
I



J



D



H



B



E



F



G



C

Utgåva Issue 2011-14		Bildnr Picture No 2786A		SNOW FLAKE- SNOW POWER DEKALER		SNOW FLAKE- SNOW POWER LABELS		Sida Page 100	
Pos. Fig.	Antal/Quantity				Art nr Part No	Benämning	Description	Sats Kit	Anmärkning Notes
	2829 -32	2847 -32							
1 1	1	1			1812-2702-01 1812-2703-01	Dekalsats Dekalsats	Label kit Label kit		Inkl. A- J Inkl. A- J