



www.stiga.com

Illustrated Parts List

for model:

SBL 260 H

- Use GLOBAL GARDEN PRODUCT genuine spare parts specified in the parts list for repair and/or replacement.
- Then contents described in the parts list may change due to improvement.
- The drawings of the spare part are only indicative and might not represent the part in question exactly.
- The indications "right" - "left" - "front" - "rear" refer to the position of the operator when using the machine.
- When placing orders of parts for repair and/or replacement, make sure that the illustrated parts list is the one applying to the machine's year of manufacture, as shown on the identification plate attached to the machine.

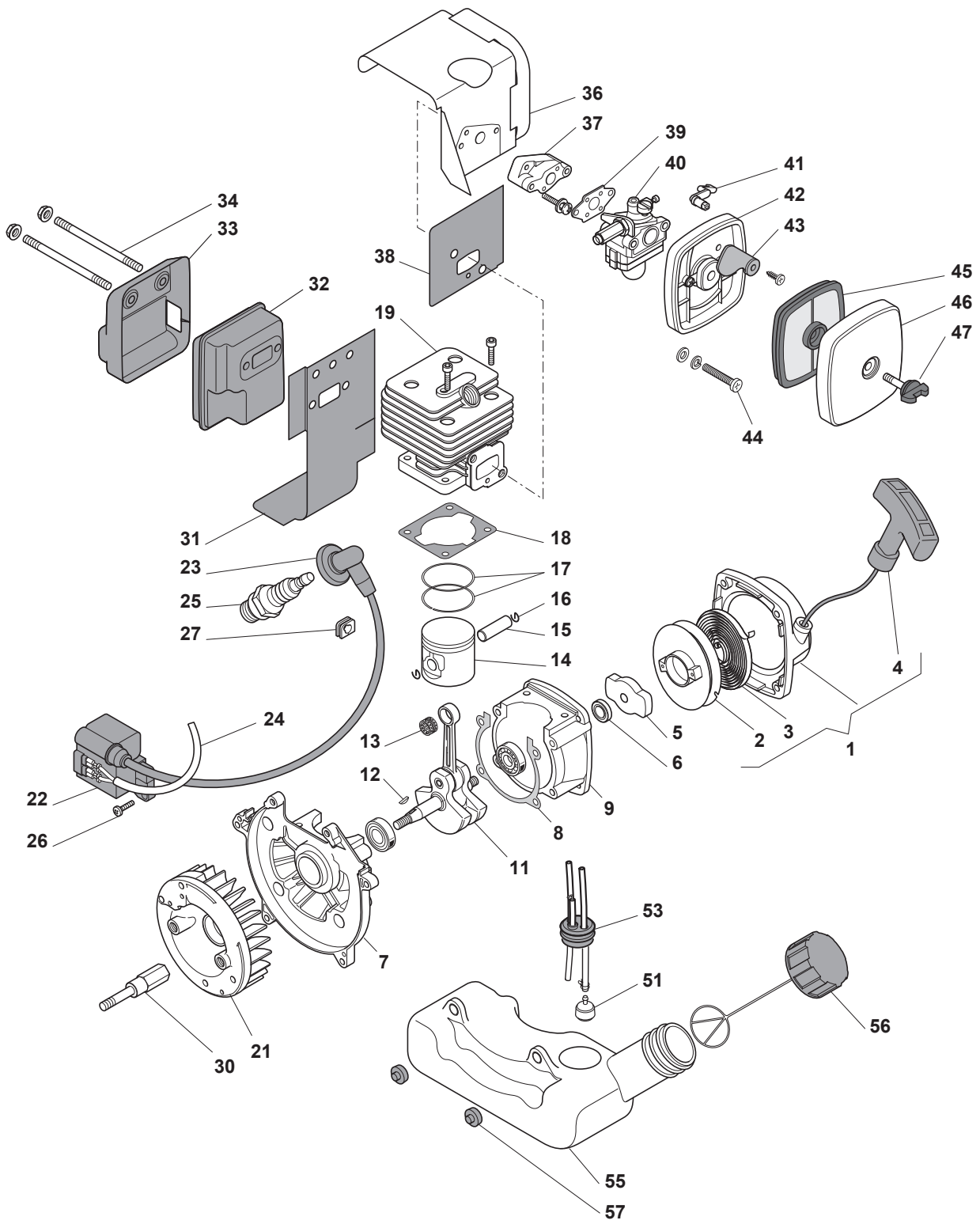
© Copyright 2014 Global Garden Products

All content is subject to copyright by Global Garden Products and may not be reproduced in whole or in part by any means, electronic or otherwise, without prior written approval.

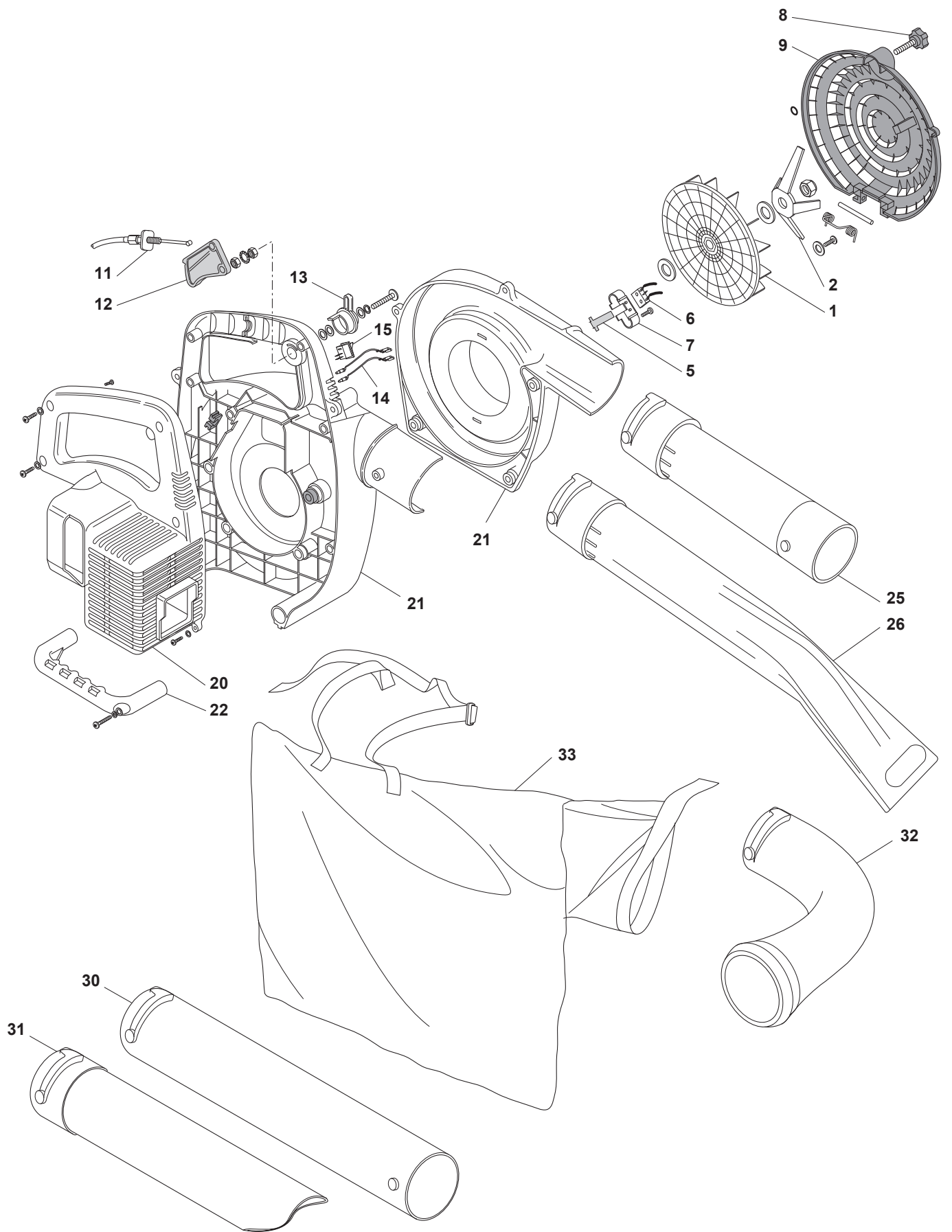
THIS INFORMATION IS NOT INTENDED FOR SALE OR RESALE, AND THIS NOTICE MUST REMAIN ON ALL COPIES.

www.ggp-group.com





SBL 260 H				
POS	CODE	Q.TY	DESCRIPTION	NOTES
1	183058031/0	1	Starter Ass.Y	
2	123604006/0	1	Starter Pulley	
3	123430584/0	1	Spring	
4	123300012/0	1	Starter Handle	
5	183082002/0	1	Starter Cup Ass.Y	
6	119035159/0	2	Seal Ring	
7	123685025/0	1	Crank Case	
8	123280046/0	1	Gasket	
9	123685024/0	1	Crank Case	
11	123020024/0	1	Crankshaft	
12	123072004/0	1	Flywheel Key	
13	123235006/0	1	Needle Bearing	
14	123590007/0	1	Piston	
15	123760005/0	1	Piston Pin	
16	123202005/0	2	Circlip	
17	123204009/0	2	Piston Ring	
18	123280044/0	1	Cylinder Gasket	
19	123071021/0	1	Cylinder	
21	123880010/0	1	Flywheel	
22	118801574/0	1	Electronic Coil	
23	123053004/0	1	Spark Plug Cover	
24	123065040/0	1	Earth Cable	
25	3210024	1	Spark Plug	
26	123878070/0	2	Screw	
27	123275023/0	1	Grommet	
30	123020029/0	1	Joint Chair Ass'Y	
31	123280057/0	1	Muffler Shield	
32	183740016/0	1	Muffler	
33	123600068/0	1	Muffler Shield	
34	123878071/0	2	Double-Screw Bolt	
36	123600069/0	1	Guard	
37	123073508/0	1	Intake Manifold	
38	123280058/0	1	Gasket	
39	123280059/0	1	Intake-Carb Gasket	
40	123054033/0	1	Carburettor	
41	123315090/0	1	Choke Lever	
42	123040003/0	1	Air Filter Holder	
43	123190001/0	1	Starter Valve	
44	123878072/0	2	Screw	
45	123220012/0	1	Air Filter	
46	123090031/0	1	Filter Cover	
47	123878073/0	1	Knob	
51	183520006/0	1	Intake Filter Assy	
53	123275021/0	1	Grommet	
55	123733004/0	1	Fuel Tank	
56	183790009/0	1	Fuel Cap Assy	
57	123280060/0	2	Grommet	



SBL 260 H				
POS	CODE	Q.TY	DESCRIPTION	NOTES
1	123876002/0	1	Fan	
2	123305003/0	1	Comminute Board	
5	123606004/0	1	Stop Plate	
6	123303005/0	1	Switch	
7	123671500/0	1	Stop Plate	
8	123593506/0	1	Knob	
9	123109575/0	1	Intake Grille	
11	123065042/0	1	Wire Ass.Y	
12	123315091/0	1	Throttle Lever	
13	123315092/0	1	Throttle Lockout	
14	123065041/0	1	Stop Wire	
15	123303004/0	1	Switch	
20	123600070/0	1	Semi-Handgrips Yellow	
21	183107500/0	1	Air Conveyor, Yellow	
22	123700064/0	1	Lower Handgrip	
25	123867016/0	1	First Blower Tube	
26	123867015/0	1	Second Blower Tube	
30	183869071/1	1	First Vacuum Tube	
31	118800595/0	1	Second Vacuum Tube	
32	123867017/0	1	Tube Fittings Bag	
33	123666000/0	1	Bag	