

Genuine Spare Parts

www.stiga.com

CHIPPER/SHREDDERS Model Year 2010

includes:

17-2663-12 Bio-Quiet Shredder (2100W)

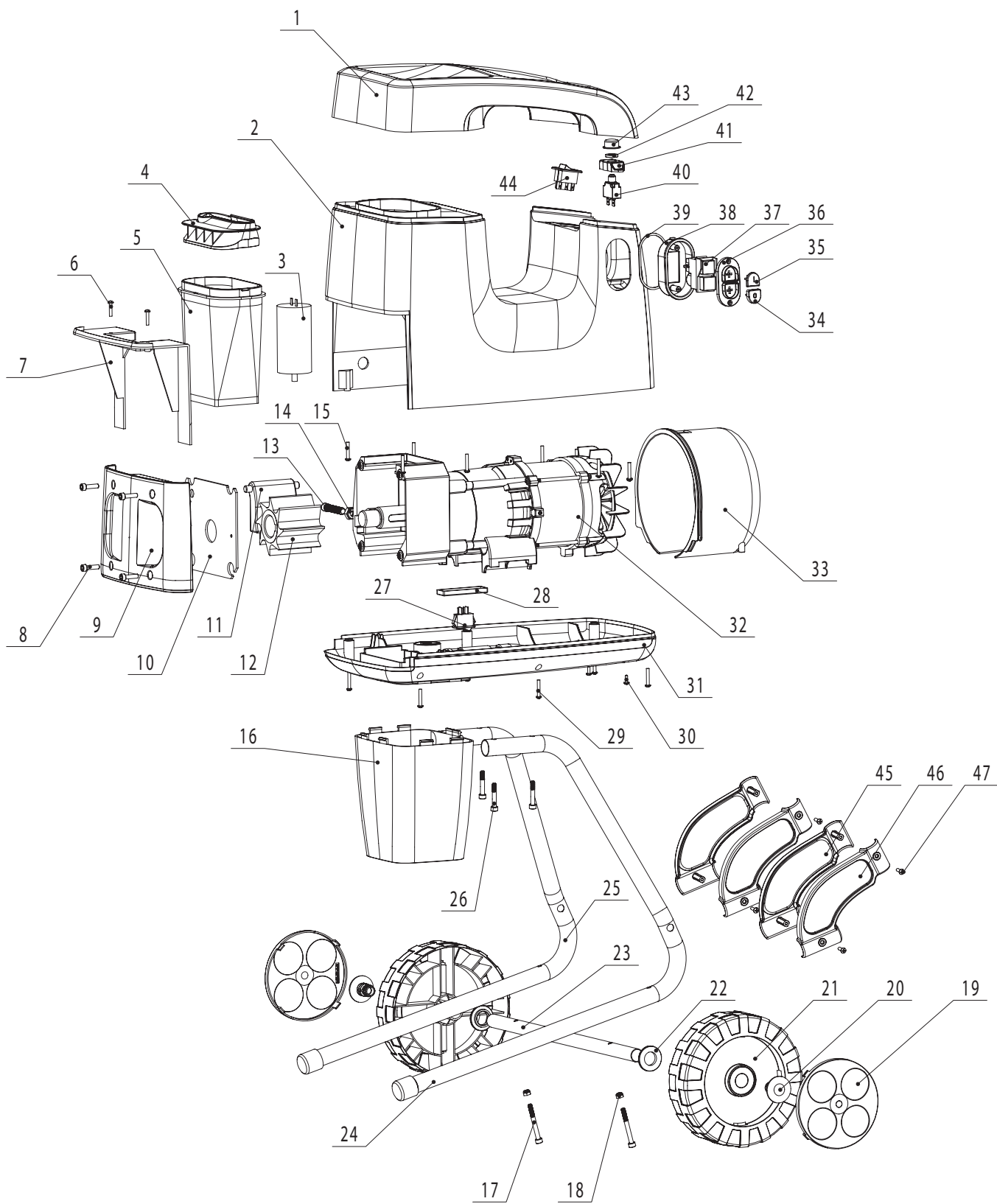
17-2665-12 Bio-Quiet Shredder (2500W)

- Use GLOBAL GARDEN PRODUCT Genuine Spare Parts specified in the parts list for repair and/or replacement.
- The contents described in the parts list may change due to improvement.
- The drawings of the spare parts are only indicative and might not represent the part in question exactly.
- The indications "right" - "left" - "front" - "rear" refer to the position of the operator when using the machine.
- When placing orders of parts for repair and/or replacement, make sure that the illustrated parts list is the one applying to the machine's year of manufacture, as shown on the identification plate attached to the machine.

COPYRIGHT by GLOBAL GARDEN PRODUCTS

All rights reserved. No part of this material may be reproduced or transmitted, in any form or by any means, electronic or mechanical, including photocopying, recording or by any information storage and retrieval system, without permission in writing from GLOBAL GARDEN PRODUCTS.





Utgåva Issue		Bildnr Picture No		BIO- QUIET KOMPOSTKVARN		BIO- QUIET SHREDDER		Sida Page	
2010- 12		2189B						22	
Pos. Fig.	Antal/Quantity			Art nr Part No	Benämning	Description	Sats Kit	Anmärkning Notes	
	2663 -12	2665 -12							
1	1	1		1716-0139-01	Inmatningshus.....	Feeding barrel			
2	1	1		1716-0140-01	Kåpa- gul	Shell- yellow			
3	1			1716-0129-01	Kondensator	Capacitor.....		2100W	
3		1		1716-0130-01	Kondensator	Capacitor.....		2500W	
4	1	1		1716-0141-01	Skydd	Feeding inlet shield			
5	1	1		1716-0152-01	Inmatningsträtt.....	Feeding inlet.....			
6	2	2		1716-0125-01	Skruv	Screw			
7	1	1		1716-0142-01	Ledplåt.....	Baffle.....			
8	4	4		1716-0061-01	Skruv	Screw			
9	1	1		1716-0182-01	Ändplatta	End plate			
10	1	1		1716-0183-01	Packning.....	Gasket			
11	1	1		1716-0104-01	Mothåll	Counter plate.....			
12	1	1		1716-0176-01	Skärvals	Cutter			
13	1	1		1716-0202-01	Skruv	Screw			
14	1	1		1716-0127-01	Låsmutter	Lock nut			
15	8	8		9847-7925-16	Skruv	Screw			
16	1	1		1716-0150-01	Utmatningsträtt- gul.....	Feeding outlet- yellow			
17	2	2		9948-0655-16	Skruv	Screw			
18	2	2		9799-0631-02	Mutter.....	Nut			
19	2	2		1716-0054-01	Navkapsel- gul	Wheel cover- yellow			
20	2	2		1716-0084-01	Plastnit	Plastic rivet			
21	2	2		1716-0091-01	Hjul	Wheel			
22	2	2		1716-0083-01	Plastbricka.....	Plastic shim			
23	1	1		1716-0181-01	Hjulaxel.....	Wheel axle.....			
24	1	1		1716-0179-01	Ben- vä.....	Support- LH			
25	1	1		1716-0180-01	Ben- hö.....	Support- RH			
26	4	4		9948-0635-16	Skruv	Screw			
27	1	1		1716-0137-01	Brytare.....	Switch			
28	1	1		1716-0151-01	Brytarsäte	Switch seat			
29	6	6		9847-7925-16	Skruv	Screw			
30	2	2		9847-7913-16	Skruv	Screw			
31	1	1		1716-0149-01	Bottenplatta- gul	Output barrel- yellow			
32	1			1716-0159-01	Motor & växellåda	Motor & gearbox assy.....		2100W	
32		1		1716-0160-01	Motor & växellåda	Motor & gearbox assy.....		2500W	
33	1	1		1716-0144-01	Flätkåpa	Fan cover			
34	1	1		1716-0147-01	Knopp "OFF"	Button "OFF"			
35	1	1		1716-0146-01	Knopp "ON"	Button "ON"			
36	1	1		1716-0145-01	Brytarlock- gul	Switch cover- yellow			
37	1	1		1716-0135-01	Brytare.....	Electromagn. switch.....			
38	1	1		1716-0148-01	Brytarhus- gul.....	Switch box- yellow			
39	1	1		1716-0131-01	Gummibricka.....	Rubber washer.....			
40		1		1716-0156-01	Överbelastningsskydd	Overcurrent protector.....		2500W	
40	1			1716-0157-01	Överbelastningsskydd	Overload protector		2100W	
41	1	1		1716-0143-01	Tryckring	Pressure ring			
42	1	1		1716-0096-01	Mutter.....	Nut			
43	1	1		1716-0068-01	Tätningshylsa	Water proof sleeve			
44	1	1		1716-0136-01	Brytare.....	Switch			
45	2	2		1716-0276-01	Benförstärkning- vä	Leg reinforcement- LH			
46	2	2		1716-0277-01	Benförstärkning- hö.....	Leg reinforcement- RH			
47	4	4		1716-0005-01	Skruv	Screw			
X 98	1	1		1716-0279-01	Uppsamlingspåse	Collecting bag		Ej ill/not ill.	
X 99	1	1		1716-0280-01	Tillbehörspåse	Assy parts bag		Ej ill/not ill.	