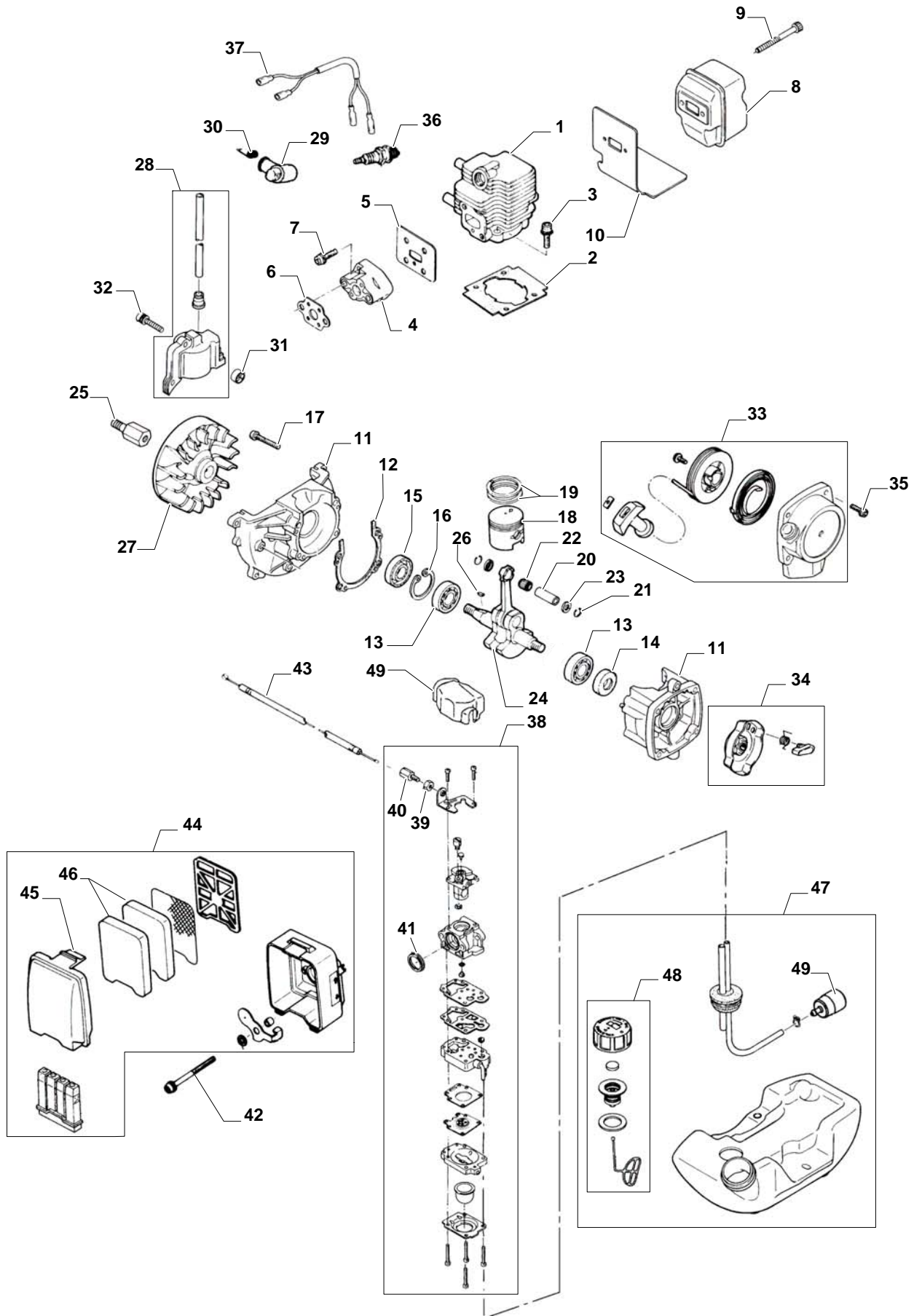


Genuine Spare Parts

SBL 250 H

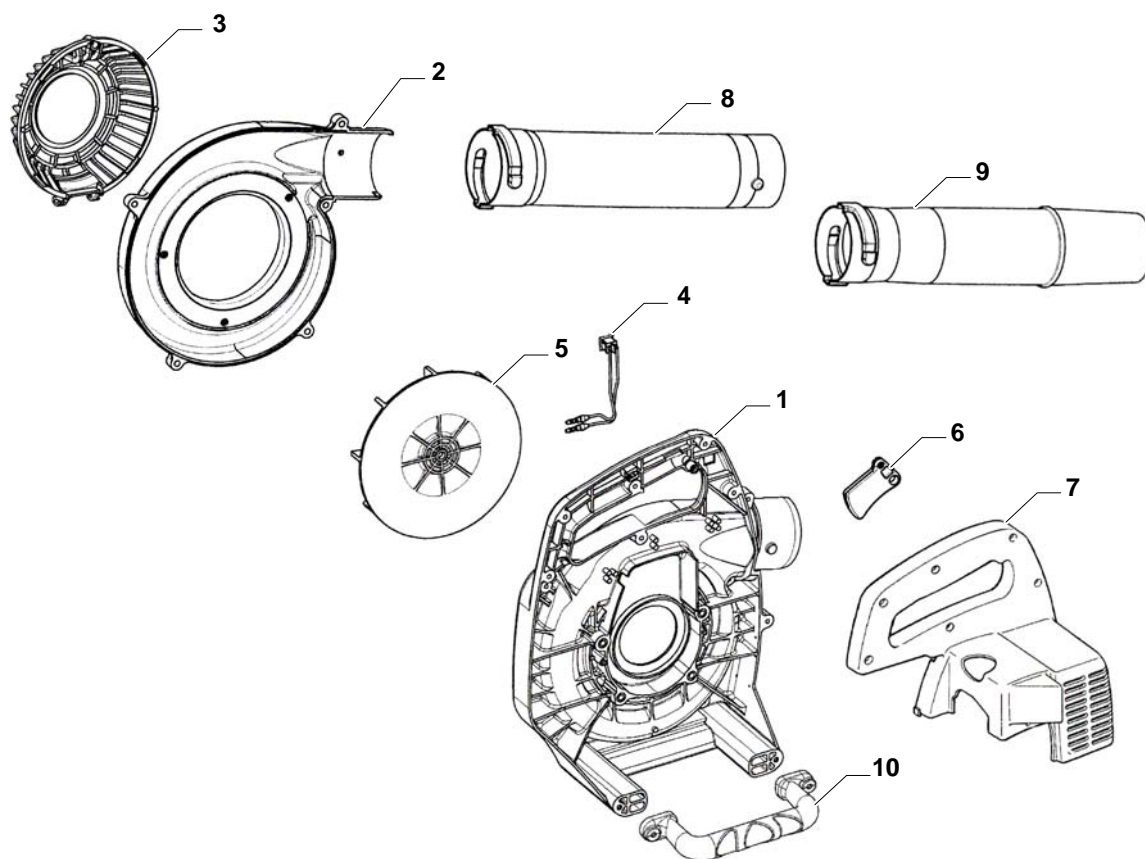






SBL 250 H - Model Year 2008

Pos. Fig.	Antal Quantity	Art No Part No	Benämning	Description	Anmärkning Notes
1	1	123071007/0	Cylinder	Cylinder Assy	
2	1	123280021/0	Cylinderklåpa	Cylinder Gasket	
3	1	123878046/0	Skruv	Screw	
4	1	123073507/0	Insugningsrör	Intake Manifold	
5	1	123280017/0	Packning	Intake Manif-Gasket	
6	1	123280018/0	Packning	Intake-Carb Gasket	
7	1	123878043/0	Skruv	Screw	
8	1	183740003/0	Ljuddämpare	Muffler	
9	1	123878048/0	Skruv	Screw	
10	1	123280020/0	Packning	Gasket	
11	1	183057005/0	Vevhus	Crankcase	
12	1	123280019/0	Packning	Gasket	
13	1	114215214/0	Kullager	Ball Bearing	
14	1	6995257	Tätningring	Seal Ring	
15	1	119035157/0	Tätningring	Seal Ring	
16	1	112610001/0	Låsring	Ring	
17	1	123878045/0	Skruv	Screw	
18	1	123590002/0	Kolv	Piston	
19	1	123204002/0	Kolvring	Piston Ring	
20	1	123760000/0	Kolvbult	Piston Pin	
21	1	6995171	Låsring	Washer, Piston Pin	
22	1	6995237	Nållager	Needle Bearing	
23	1	6995169	Bricka	Washer	
25	1	123020017/0	Vevaxel	Crankshaft	
25	1	123867011/0	Axelförlängning	Pivot	
26	1	6995018	Kil	Flywheel Key	
27	1	123880004/0	Svängjul	Flywheel	
28	1	123044005/0	Elektronikspole	Electronic Coil	
29	1	123053001/0	Tändstiftshatt	Spark Plug Cover	
30	1	123430576/0	Fjäder	Spark Plug Spring	
31	1	123160052/0	Distans	Spacer	
32	1	123878047/0	Skruv	Screw	
33	1	183058014/0	Start kpl	Starter Ass.Y	
34	1	183082001/0	Startkopp	Starter Cup Ass.Y	
35	1	123878042/0	Skruv	Screw	
36	1	3210024	Tändstift	Spark Plug	
37	1	183065011/0	Jordkabel	Earth Cable	
38	1	123054019/0	Förgasare	Carburettor	
39	1	123120002/0	Mutter	Nut	
40	1	123653000/0	Gaswirejustering	Throttle Cable Adjuster	
41	1	123044215/0	O-ring	Or Ring	
42	1	123878044/0	Skruv	Screw	
43	1	123066011/0	Gaswire	Cable, Trottle	
44	1	183220001/0	Luftfilter kpl	Air Filter Ass'Y	
45	1	123109531/0	Luftfilterklåpa	Filter Cover	
46	1	123220007/0	Luftfilter	Air Filter	
47	1	183733003/0	Bränsletank kpl	Kit Fuel Tank	
48	1	183790006/0	Tanklock	Cap Ass'Y, Fuel Tank	
49	1	183520002/0	Bränslefilter	Intake Filter Assy	



Pos. Fig.	Antal Quantity	Art No Part No	Benämning	Description	Anmärkning Notes
1	1	123700050/0	Handtag-gul	Semi-Handgrips Yellow	
2	1	123109532/0	Luftledare-gul	Air Conveyor, Yellow	
3	1	123109534/0	Kípa	Cover	
4	1	123303002/0	Brytare	Switch	
5	1	123876001/0	Fläkt	Fan	
6	1	123315073/0	Gasreglage	Throttle Lever	
7	1	123700048/0	Handtag-gul	Semi-Handgrips Yellow	
8	1	123867012/0	Rör	Tube	
9	1	123867013/0	Rör	Tube	
10	1	123300005/0	Handtag	Handle	