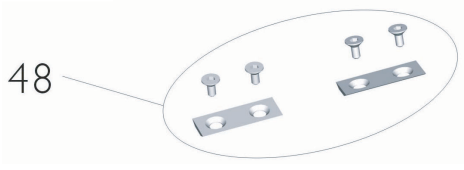
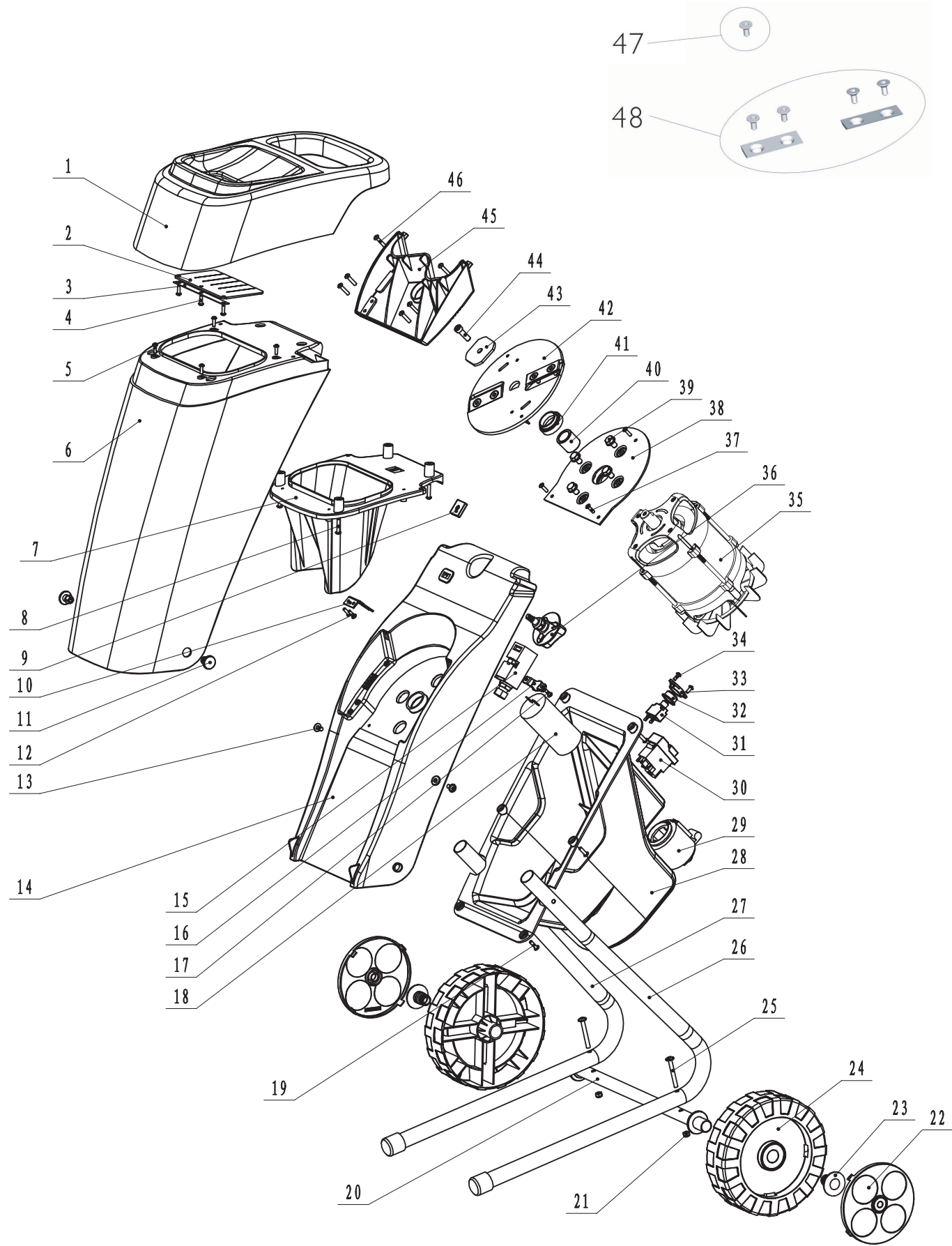


# Genuine Spare Parts

---





Utgåva Issue		Bildnr Picture No		BIO- POWER KOMPOSTKVARN		BIO- POWER CHIPPER		Sida Page	
2008- 12		2051A						266	
Pos. Fig.	Antal/Quantity				Art nr Part No	Benämning	Description	Sats Kit	Anmärkning Notes
	2720 -11 -31								
1	1				1716-0086-01	Inmatningshus.....	Feeding barrel .....		
2	1				1716-0113-01	Gummiskydd .....	Rubber flap .....		
3	1				1716-0107-01	Platta .....	Bar washer .....		
4	3				1716-0005-01	Skruv .....	Screw .....		
5	4				9847-8025-16	Skruv .....	Screw .....		
6	1				1716-0087-01	Kåpa- gul .....	Main cover- yellow .....		
7	1				1716-0092-01	Inmatningstratt.....	Feeding inlet.....		
8	4				9847-8025-16	Skruv .....	Screw .....		
9	1				1716-0116-01	Fyrkantmutter .....	Square nut .....		
10	1				1716-0115-01	Bleck.....	Key.....		
11	2				1716-0085-01	Bult.....	Bolt .....		
12	2				1716-0005-01	Skruv .....	Screw .....		
13	2				1716-0060-01	Skruv.....	Screw.....		
14	1				1716-0088-01	Basplatta.....	Base plate .....		
15	1				1716-0072-01	Brytare.....	Switch .....		
16	1				1716-0090-01	Plastlist.....	Plastic board .....		
17	2				9847-8025-16	Skruv .....	Screw .....		
18	1				1716-0129-01	Kondensator .....	Capacitor.....		
19	2				1716-0007-01	Skruv.....	Screw.....		
20	1				1716-0101-01	Hjulaxel.....	Wheel shaft .....		
21	2				9799-0631-02	Mutter.....	Nut .....		
22	2				1716-0054-01	Navkapsel- gul .....	Wheel cover- yellow .....		
23	2				1716-0084-01	Plastnit .....	Plastic rivet .....		
24	2				1716-0091-01	Hjul .....	Wheel.....		
25	2				9948-0655-16	Skruv.....	Screw.....		
26	1				1716-0117-01	Ben- vä.....	Support leg- LH.....		
27	1				1716-0118-01	Ben- hö .....	Support leg- RH .....		
28	1				1716-0089-01	Motorkåpa .....	Motor cover .....		
29	1				1716-0119-01	Anslutn.kontakt.....	Plug .....		
30	1				1716-0071-01	Brytare.....	Electromagn.switch.....		
31	1				1716-0157-01	Överbelastningsskydd .....	Overload protector .....		
32	1				1716-0068-01	Tätningshylsa .....	Water proof sleeve .....		
33	1				1716-0082-01	Tryckring .....	Pressure ring .....		
34	2				1716-0062-01	Skruv .....	Screw .....		
35	1				1716-0195-01	Elmotor.....	Motor .....		2100W
36	1				1716-0114-01	Lås ratt .....	Locking knob .....		
37	3				9847-7925-16	Skruv .....	Screw.....		
38	1				1716-0111-01	Motorplatta.....	Fixed plate .....		
39	4				1716-0035-01	Skruv .....	Screw .....		
40	1				1716-0109-01	Axelhylsa .....	Shaft sleeve.....		
41	1				1716-0069-01	Tätningring .....	Waterproof hat .....		
42	1				1716-0105-01	Knivskiva .....	Blade disc .....		
43	1				1716-0110-01	Knivskivsbricka.....	Blade disc washer .....		
44	1				1716-0058-01	Skruv .....	Screw .....		
45	1				1716-0112-01	Mothåll .....	Counter block.....		
46	6				1716-0005-01	Skruv .....	Screw .....		
47	4				1716-0059-01	• Skruv .....	• Screw .....		
48	1				1716-0108-01	Knivsats.....	Blade kit .....		2 kniv+4 skruv