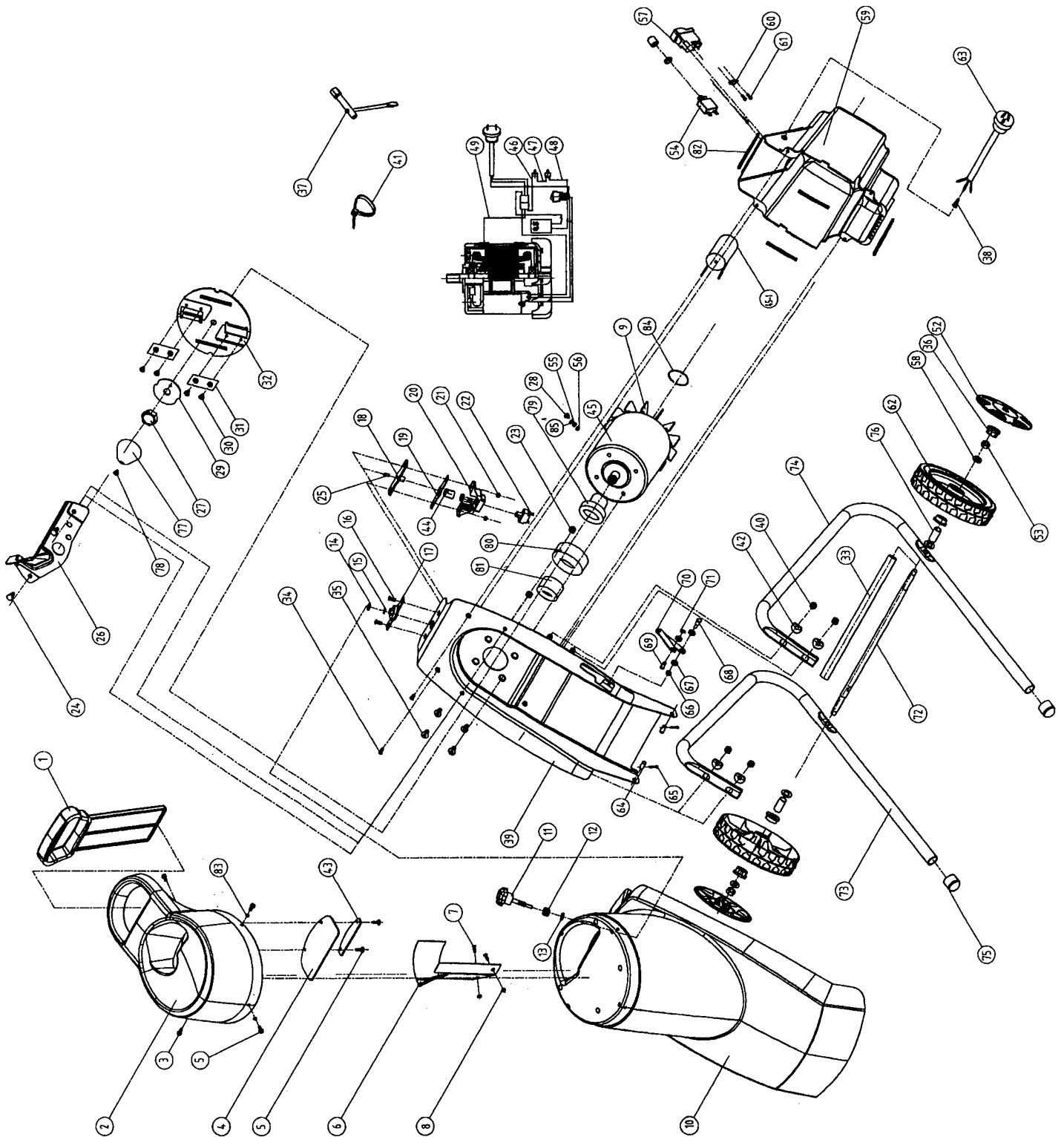


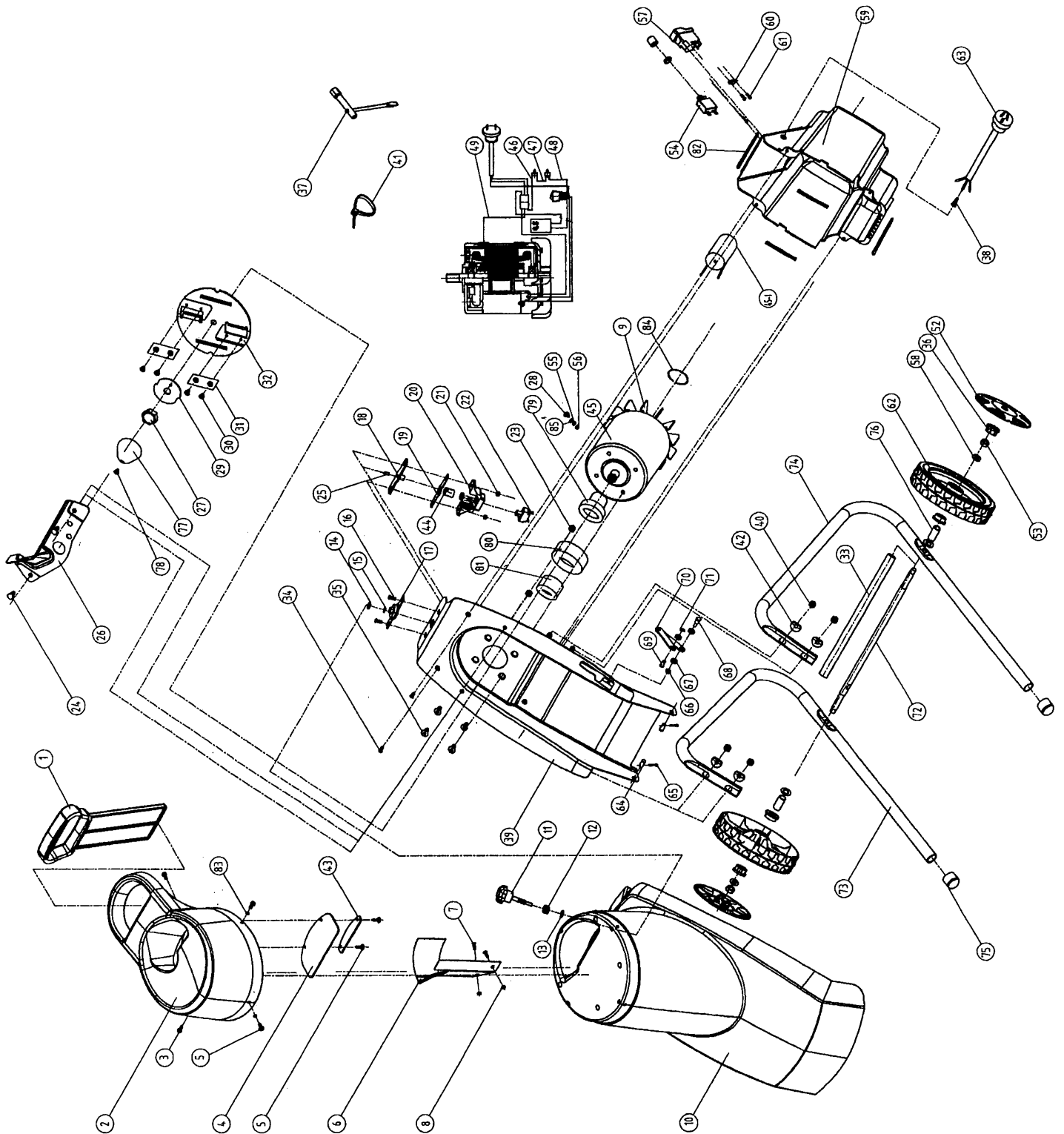
# Genuine Spare Parts

---





Utgåva Issue		Bildnr Picture No		BIO 2000 KOMPOSTKVARN	BIO 2000 CHIPPER	Sida Page		
2006- 12		1847				224		
Pos. Fig.	Antal/Quantity			Art nr Part No	Benämning	Description	Sats Kit	Anmärkning Notes
	2656 -22							
1	1			1717-0585-01	Inmatare .....	Feeding tool .....		
2	1			1717-0557-01	Inmatningsträtt.....	Hopper .....		
3	1			1717-0558-01	Envägsskruv .....	One-way screw.....		
4	1			1717-0559-01	Gummiduk.....	Rubber plate .....		
5	5			9847-7916-16	Skruv .....	Screw .....		
6	1			1717-0561-01	Skyddsplåt.....	Guard plate .....		
7	2			9997-0510-16	Skruv .....	Screw .....		
8	2			9799-0531-02	Mutter.....	Nut .....		
9	1			1717-0593-01	Fläkt.....	Fan .....		
10	1			1717-0556-01	Hus .....	Housing .....		
11	1			1717-0563-01	Säkerhetskruv .....	Safety screw .....		
12	1			1717-0565-01	Fjäder.....	Spring .....		
13	1			1717-0564-01	Fjädersäte.....	Spring seat.....		
14	1			1717-0541-01	Bricka .....	Washer.....		
15	1			1717-0536-01	Låsring .....	Ring .....		
16	2			9997-0520-16	Skruv .....	Screw .....		
17	1			1717-0550-01	Plåt .....	Plate .....		
18	1			1717-0553-01	Brytarpackning .....	Switch gasket.....		
19	1			1717-0551-01	Fäste.....	Bracket.....		
20	1			1717-0549-01	Brytarfäste.....	Switch bracket .....		
21	2			9799-0531-02	Mutter.....	Nut .....		
22	1			1717-0548-01	Brytare.....	Housing switch .....		
23	2			9799-0831-02	Mutter.....	Nut .....		
24	2			9997-0816-16	Skruv .....	Screw .....		
25	2			1717-0571-01	Tapp.....	Pin .....		
26	1			1717-0587-01	Mothåll .....	Counter plate.....		
27	1			1717-0531-01	Mutter.....	Nut .....		
28	1			1717-0533-01	Skruv .....	Screw .....		
29	1			1717-0545-01	Bricka .....	Washer.....		
30	4			1717-0530-01	Skruv .....	Screw .....		
31	2			1717-0586-01	Kniv .....	Blade.....		
32	1			1717-0588-01	Knivskiva .....	Blade disc .....		
33	1			1717-0573-01	Rör .....	Wheel axle tube.....		
34	4			1717-0534-01	Skruv .....	Screw .....		
35	4			9924-0816-16	Skruv .....	Screw .....		
36	4			1717-0595-01	Hjulbussning .....	Wheel bushing .....		
37	1			1717-0582-01	Nyckel.....	Wrench .....		
38	1			1717-0583-01	Kabelhylsa .....	Cord carrier.....		
39	1			1717-0590-01	Motorplatta.....	Motor plate .....		
40	4			9799-0831-02	Mutter.....	Nut .....		
41	3			9579-0008-00	Buntband .....	Cable holder.....		
42	4			1717-0542-01	Bricka .....	Washer.....		
43	1			1717-0560-01	Plåt .....	Board .....		
44	1			1717-0572-01	Mutter.....	Nut .....		
45	1			1717-0592-01	Motor.....	Motor .....		
45A	1			1717-0547-01	Kondensator .....	Condensor .....		
46	1			1717-0578-01	Kabel .....	Cable .....		
47	1			1717-0580-01	Kabel .....	Cable .....		
48	1			1717-0579-01	Kabel .....	Cable .....		
49	1			1717-0589-01	Kabel .....	Cable .....		
52	2			1717-0594-01	Hjulsköld .....	Wheel cover .....		
53	2			9799-0831-02	Mutter.....	Nut .....		
54	1			1717-0554-01	Brytare.....	Circuit breaker.....		
55	1			1717-0538-01	Bricka .....	Washer.....		
56	1			1717-0535-01	Bricka .....	Washer.....		
57	1			1717-0555-01	Strömbrytare på/av.....	Start switch on/off .....		
58	6			1717-0529-01	Bricka .....	Washer.....		
59	1			1717-0546-01	Motorpåska .....	Motor cap .....		
60	1			1717-0597-01	Dragavlastare.....	Cord restrainer .....		
61	2			9847-7916-16	Skruv .....	Screw .....		
62	2			1717-0543-01	Hjul.....	Wheel.....		
63	1			1717-0574-01	Anslutningssladd.....	Power cord .....		
64	2			1717-0570-01	Tapp.....	Pin .....		



Utgåva Issue 2006- 12		Bildnr Picture No 1847		BIO 2000 KOMPOSTKVARN		BIO 2000 CHIPPER		Sida Page 226	
Pos. Fig.	Antal/Quantity			Art nr Part No	Benämning	Description	Sats Kit	Anmärkning Notes	
	2656 -22								
65	2			1717- 0532- 01	Låsnål .....	Pin .....		Not used on all	
66	1			9799- 0631- 02	Mutter .....	Nut .....			
67	3			1717- 0575- 01	Gummipackning .....	Rubber tube .....			
68	1			1717- 0576- 01	Pinnbult .....	Screw rod .....			
69	1			1717- 0577- 01	Tapp .....	Pin .....			
70	1			1717- 0566- 01	Gångjärn .....	Hinge .....			
71	1			1717- 0537- 01	Låsring .....	E- ring .....			
72	1			1717- 0581- 01	Hjulaxel .....	Wheel axle .....			
73	1			1717- 0562- 01	Ben- hö .....	Leg- RH .....			
74	1			1717- 0552- 01	Ben- vä .....	Leg- LH .....			
75	2			1717- 0596- 01	Plugg .....	Plug .....			
76	2			1717- 0544- 01	Distans .....	Spacer .....			
77	1			1717- 0569- 01	Mutterlock .....	Nut cap .....			
78	1			9997- 0510- 16	Skruv .....	Screw .....			
79	1			1717- 0591- 01	Motordistans .....	Motor spacer .....			
80	1			1717- 0568- 01	Motordistans .....	Motor spacer .....			
81	1			1717- 0567- 01	Distans .....	Spacer .....			
82	1			1717- 0584- 01	Packning .....	Gasket strip .....			
83	4			1717- 0540- 01	Bricka .....	Washer .....			
84	1			1717- 0536- 01	Låsring .....	Ring .....			
85	1			1717- 0539- 01	Bricka .....	Washer .....			