



## ***Reservdelskatalog Parts Catalogue***

### ***Combi 48 SQ***

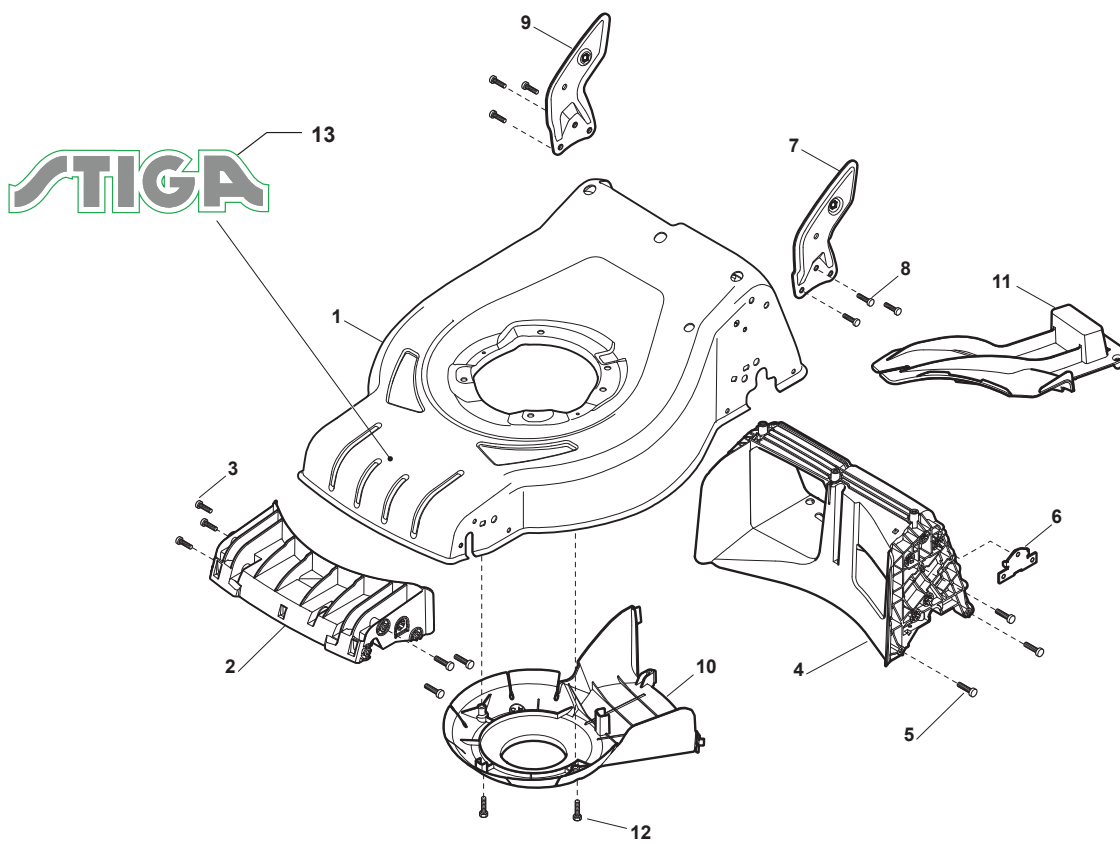
***295486848/S17 - Season 2017***

- Use GLOBAL GARDEN PRODUCT Genuine Spare Parts specified in the parts list for repair and/or replacement.
  - The contents described in the parts list may change due to improvement.
  - The drawings of the spare parts are only indicative and might not represent the part in question exactly.
  - The indications "right" - "left" - "front" - "rear" refer to the position of the operator when using the machine.
- When placing orders of parts for repair and/or replacement, make sure that the illustrated parts list is the one applying to the machine's year of manufacture, as shown on the identification plate attached to the machine.

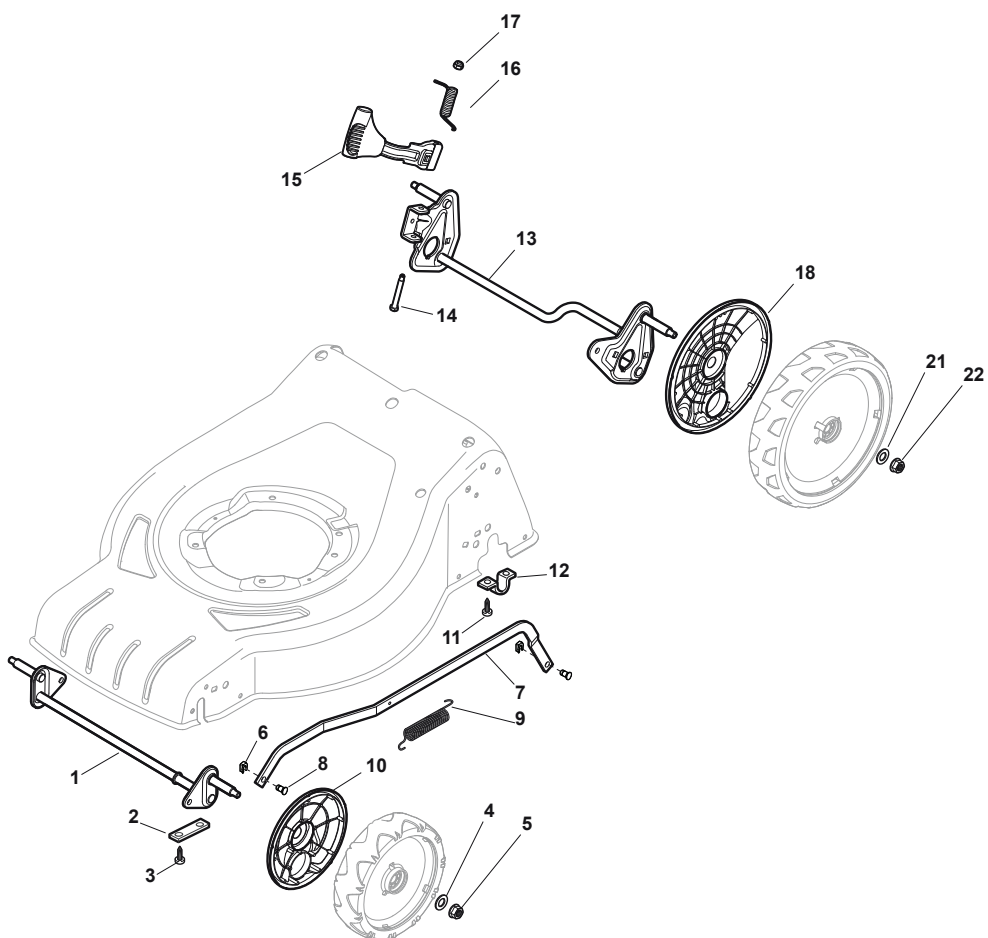
© Copyright 2017 Global Garden Products

All rights reserved. No part of this material may be reproduced or transmitted, in any form or by any means, electronic or mechanical, including photocopying, recording or by any information storage and retrieval system, without permission in writing from GLOBAL GARDEN PRODUCTS.

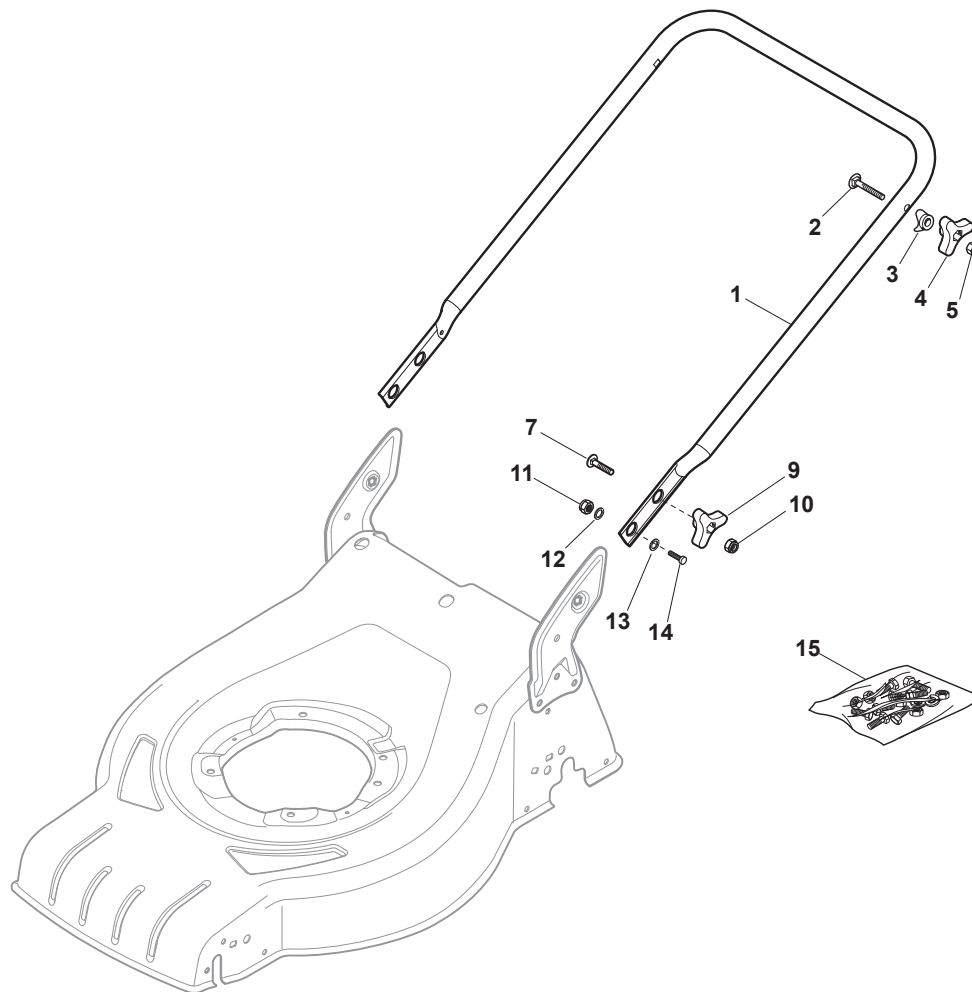
*[www.stiga.com](http://www.stiga.com)*



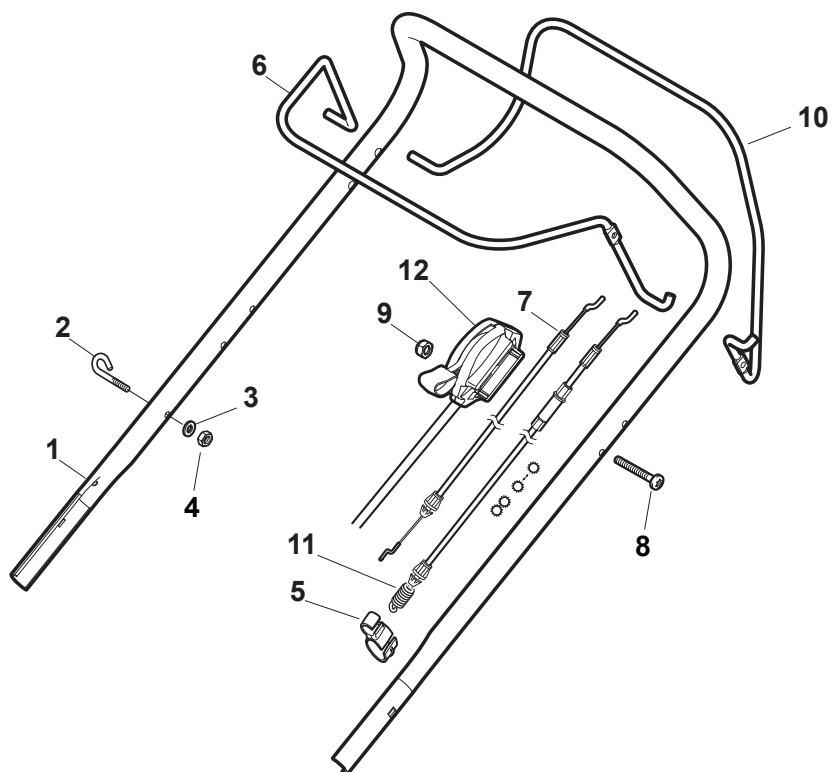
| Utgåva<br>Issue<br>11 - 2017 |               | Kapa<br>Deck      |                        |                     |                     |
|------------------------------|---------------|-------------------|------------------------|---------------------|---------------------|
| Pos.<br>Fig.                 | Antal<br>Q.ty | Art nr<br>Part No | Benämning              | Description         | Anmärkning<br>Notes |
| 1                            | 1             | 381004892/0       | Chassi-grå             | Grey Deck           |                     |
| 2                            | 1             | 322108301/1       | Plastfront Transportör | Front Conveyor Assy |                     |
| 3                            | 6             | 112728699/0       | Skruv                  | Screw               |                     |
| 4                            | 1             | 322108302/0       | Bakre Skyddluftledare  | Rear Conveyor Assy  |                     |
| 5                            | 6             | 112728699/0       | Skruv                  | Screw               |                     |
| 6                            | 2             | 322545213/0       | Plat                   | Plate               |                     |
| 7                            | 1             | 381005179/0       | Fäste-vä               | Left Bracket        |                     |
| 8                            | 6             | 112727801/0       | Skruv                  | Screw               |                     |
| 9                            | 1             | 381005177/0       | Fäste-hö               | Right Bracket       |                     |
| 10                           | 1             | 322060242/0       | Remskydd               | Belt Protection     |                     |
| 11                           | 1             | 322140239/0       | Mulcherinsats          | Mulching Deflector  |                     |
| 12                           | 2             | 112728530/0       | Skruv                  | Screw               |                     |
| 13                           | 1             | 114367494/2       | Dekal Stiga Logo       | Label Stiga Logo    |                     |



| Utgåva<br>Issue<br>11 - 2017 |               | Höjdställning<br>Height Adjusting |                   |                        |                     |
|------------------------------|---------------|-----------------------------------|-------------------|------------------------|---------------------|
| Pos.<br>Fig.                 | Antal<br>Q.ty | Art nr<br>Part No                 | Benämning         | Description            | Anmärkning<br>Notes |
| 1                            | 1             | 381302821/0                       | Hjulaxel-Fram     | Front Wheel Axle       |                     |
| 2                            | 2             | 322545142/0                       | Plat              | Plate                  |                     |
| 3                            | 4             | 112728698/0                       | Skruv             | Screw                  |                     |
| 4                            | 2             | 112521350/0                       | Bricka            | Washer                 |                     |
| 5                            | 2             | 112155000/0                       | Mutter            | Nut                    |                     |
| 6                            | 2             | 112436051/0                       | Plat              | Plate                  |                     |
| 7                            | 1             | 322869673/0                       | Höjjusteringsstag | Rod, Height Adjustment |                     |
| 8                            | 2             | 122519820/0                       | Stift             | Pin                    |                     |
| 9                            | 1             | 122446193/0                       | Fjäder            | Spring                 |                     |
| 10                           | 2             | 322600247/0                       | Hjulskydd         | Protection, Wheel      | D. 180              |
| 11                           | 4             | 112728698/0                       | Skruv             | Screw                  |                     |
| 12                           | 2             | 322545152/0                       | Plat              | Plate                  |                     |
| 13                           | 1             | 381302817/0                       | Hjulaxel-Bakre    | Rear Wheel Axle        |                     |
| 14                           | 1             | 122534131/0                       | Stift             | Pin                    |                     |
| 16                           | 1             | 122446192/0                       | Fjäder            | Spring                 |                     |
| 17                           | 1             | 112154510/0                       | Mutter            | Nut                    |                     |
| 18                           | 1             | 322600205/1                       | Hjulskydd         | Protection, Wheel      |                     |
| 21                           | 2             | 112521350/0                       | Bricka            | Washer                 |                     |
| 22                           | 2             | 112155000/0                       | Mutter            | Nut                    |                     |

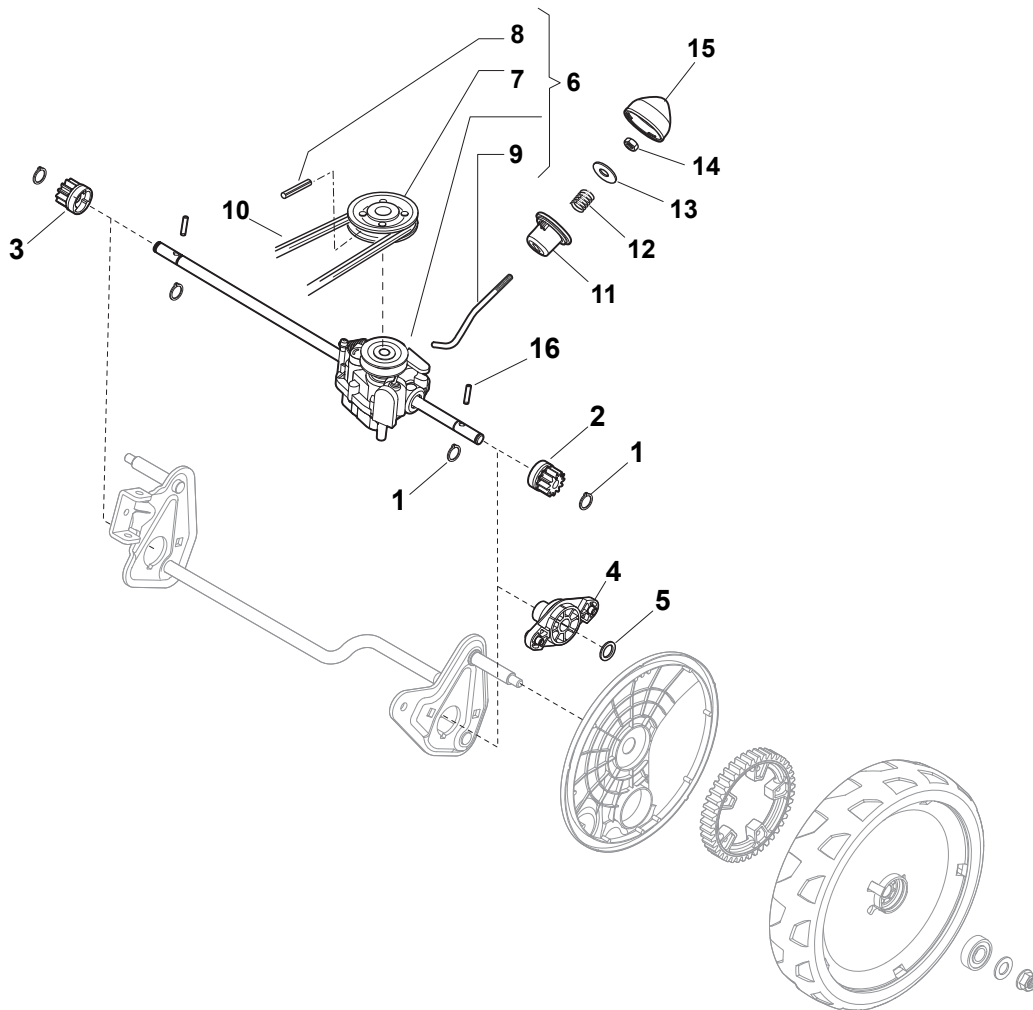


| Utgåva<br>Issue<br>11 - 2017 |               | Reglage, nedre<br>Handle, Lower Part |                    |                           |                     |
|------------------------------|---------------|--------------------------------------|--------------------|---------------------------|---------------------|
| Pos.<br>Fig.                 | Antal<br>Q.ty | Art nr<br>Part No                    | Benämning          | Description               | Anmärkning<br>Notes |
| 1                            | 1             | 381007537/0                          | Reglage, Nedre Gul | Handle, Lower Part Yellow | Yellow              |
| 2                            | 2             | 112819110/0                          | Skruv              | Screw                     |                     |
| 3                            | 2             | 122671651/0                          | Bricka             | Washer                    |                     |
| 4                            | 2             | 122399900/0                          | Knopp              | Black Knob                | Black               |
| 5                            | 2             | 112293200/0                          | Mutter             | Nut                       |                     |
| 7                            | 2             | 112818900/0                          | Skruv              | Screw                     |                     |
| 9                            | 2             | 122399900/0                          | Knopp              | Black Knob                | Black               |
| 10                           | 2             | 112293200/0                          | Mutter             | Nut                       |                     |
| 11                           | 2             | 112155000/0                          | Mutter             | Nut                       |                     |
| 12                           | 2             | 112521350/0                          | Bricka             | Washer                    |                     |
| 13                           | 2             | 112369500/0                          | Bricka             | Elastic Washer            |                     |
| 14                           | 2             | 112760605/0                          | Skruv              | Screw                     |                     |
| 15                           | 1             | 381008691/0                          | Skruvsats          | Outfit, Screws            | Black               |

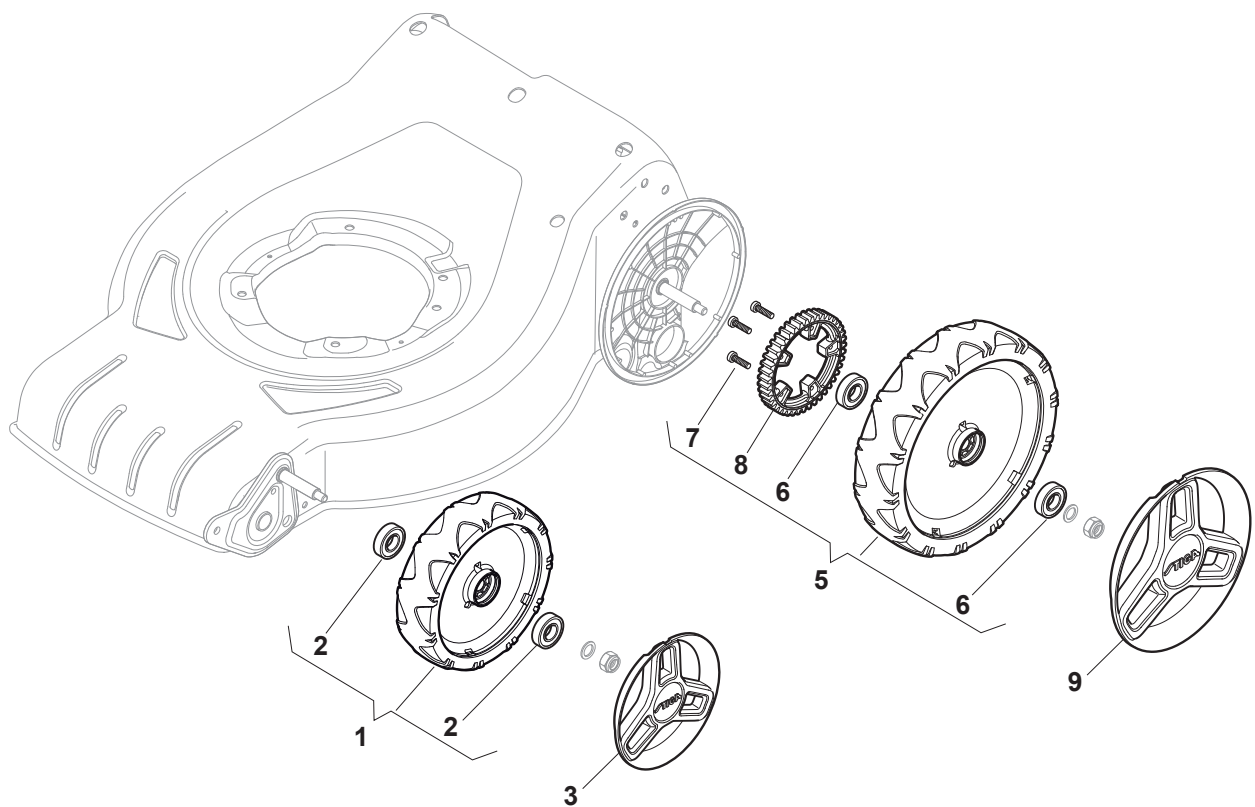




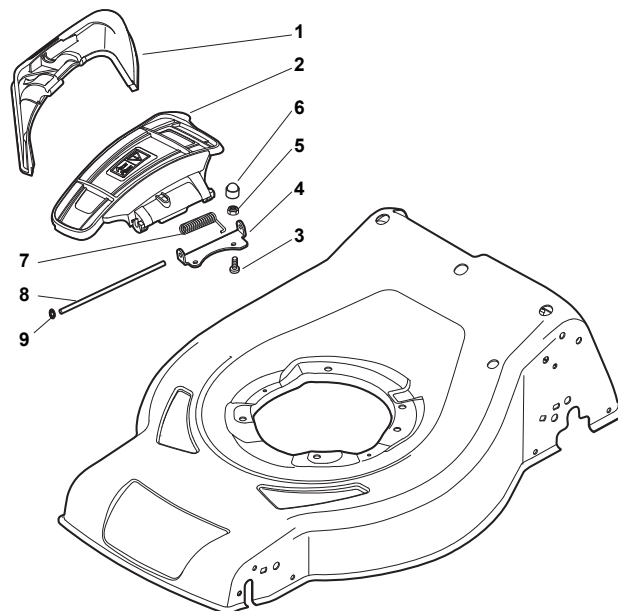
| Utgåva<br>Issue<br>11 - 2017 |               | Reglage, övre<br>Handle, Upper Part |                      |                            |  |
|------------------------------|---------------|-------------------------------------|----------------------|----------------------------|--|
| Pos.<br>Fig.                 | Antal<br>Q.ty | Art nr<br>Part No                   | Benämning            | Description                | Anmärkning<br>Notes                          |
| 1                            | 1             | 381006753/0                         | Handtag, Överdel Gul | Handle, Upper Part Yellow  | Yellow without Sponge                        |
| 1                            | 1             | 381006754/0                         | Handtag, Överdel Gul | Handle, Upper Part Yellow  | Yellow with Sponge                           |
| 2                            | 1             | 122430313/0                         | Fjäder               | Guide Spring               |  |
| 3                            | 1             | 112521330/0                         | Bricka               | Washer                     |  |
| 4                            | 1             | 112154510/0                         | Mutter               | Nut                        |  |
| 5                            | 1             | 118390020/0                         | Vajerhallare         | Conduit Clip               |  |
| 6                            | 1             | 181003363/1                         | Reglagebygel         | Lever, Engine Brake Black  | Black  |
| 7                            | 1             | 181030056/0                         | Motorbromswire       | Cable, Thread Engine Brake | B&S 450/575/550/500<br>Series and GGP Engine |
| 8                            | 1             | 112727788/0                         | Skruv                | Screw                      |  |
| 9                            | 1             | 112154510/0                         | Mutter               | Nut                        |  |
| 10                           | 1             | 181003364/0                         | Spak Handtag         | Drive Control Lever        | Black  |
| 11                           | 1             | 381030051/0                         | Kopplingswire        | Cable Rear Drive           |  |
| 12                           | 1             | 181005517/0                         | Gasreglage           | Throttle Cable             |  |



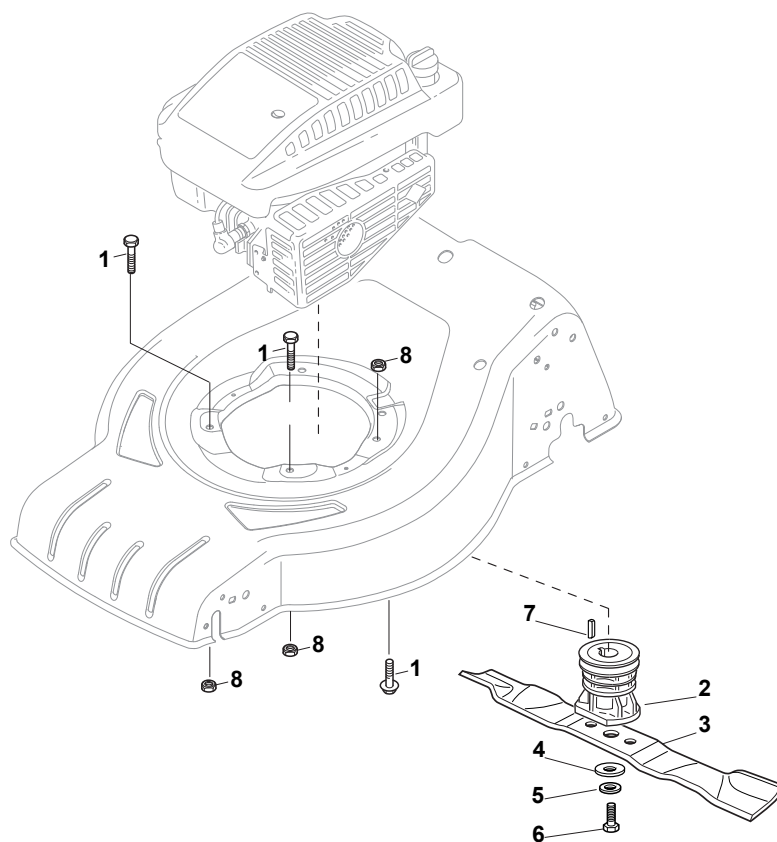
| Utgåva<br>Issue<br>11 - 2017 |               | Bakhjulsdrivning  |                  | Transmission     |                     |
|------------------------------|---------------|-------------------|------------------|------------------|---------------------|
| Pos.<br>Fig.                 | Antal<br>Q.ty | Art nr<br>Part No | Benämning        | Description      | Anmärkning<br>Notes |
| 1                            | 4             | 112608600/0       | Segersäkring     | Seeger           |                     |
| 2                            | 1             | 122570120/1       | Drev             | Pinion Left      |                     |
| 3                            | 1             | 122570110/1       | Drev             | Pinion Right     |                     |
| 4                            | 2             | 322042066/0       | Bussning         | Bushing          |                     |
| 5                            | 2             | 112521371/0       | Bricka           | Washer           |                     |
| 6                            | 1             | 181003092/0       | Transmission Kpl | Gear Box         |                     |
| 7                            | 1             | 122601909/0       | Remskiva         | Pulley           |                     |
| 8                            | 1             | 112645705/0       | Spännstift       | Elastic Pin      |                     |
| 9                            | 1             | 122033283/0       | Justerstang      | Adjustment Rod   |                     |
| 10                           | 1             | 135063800/0       | Drivrem          | Trapezoidal Belt |                     |
| 11                           | 1             | 122041957/1       | Bussning         | Bushing          |                     |
| 12                           | 1             | 122450063/0       | Fjäder           | Spring           |                     |
| 13                           | 1             | 322680009/0       | Bricka           | Washer           |                     |
| 14                           | 1             | 112154510/0       | Mutter           | Nut              |                     |
| 15                           | 1             | 122110230/0       | Navkapsel        | Hub Cover        |                     |
| 16                           | 2             | 122753000/0       | Spännstift       | Pin              |                     |



| Utgåva<br>Issue<br>11 - 2017 |               | Hjul och navkapsel<br>Wheels and Hub Caps |                  |                   |                     |
|------------------------------|---------------|---|------------------|-------------------|---------------------|
| Pos.<br>Fig.                 | Antal<br>Q.ty | Art nr<br>Part No                         | Benämning        | Description       | Anmärkning<br>Notes |
| 1                            | 2             | 381007455/1                               | Hjul - Short Hub | Wheel - Short Hub |                     |
| 2                            | 4             | 119216035/0                               | Lager            | Bearing           |                     |
| 3                            | 2             | 322110744/0                               | Navkapsel Gra    | Hub Cap Grey      |                     |
| 5                            | 2             | 381007467/1                               | Hjul             | Wheel             |                     |
| 6                            | 4             | 119216035/0                               | Lager            | Bearing           |                     |
| 7                            | 6             | 112728706/0                               | Skruv            | Screw             |                     |
| 8                            | 2             | 322120117/0                               | Hjuls Crown Ø240 | Wheels Crown Ø240 |                     |
| 9                            | 2             | 322110745/0                               | Navkapsel Gra    | Hub Cap Grey      |                     |

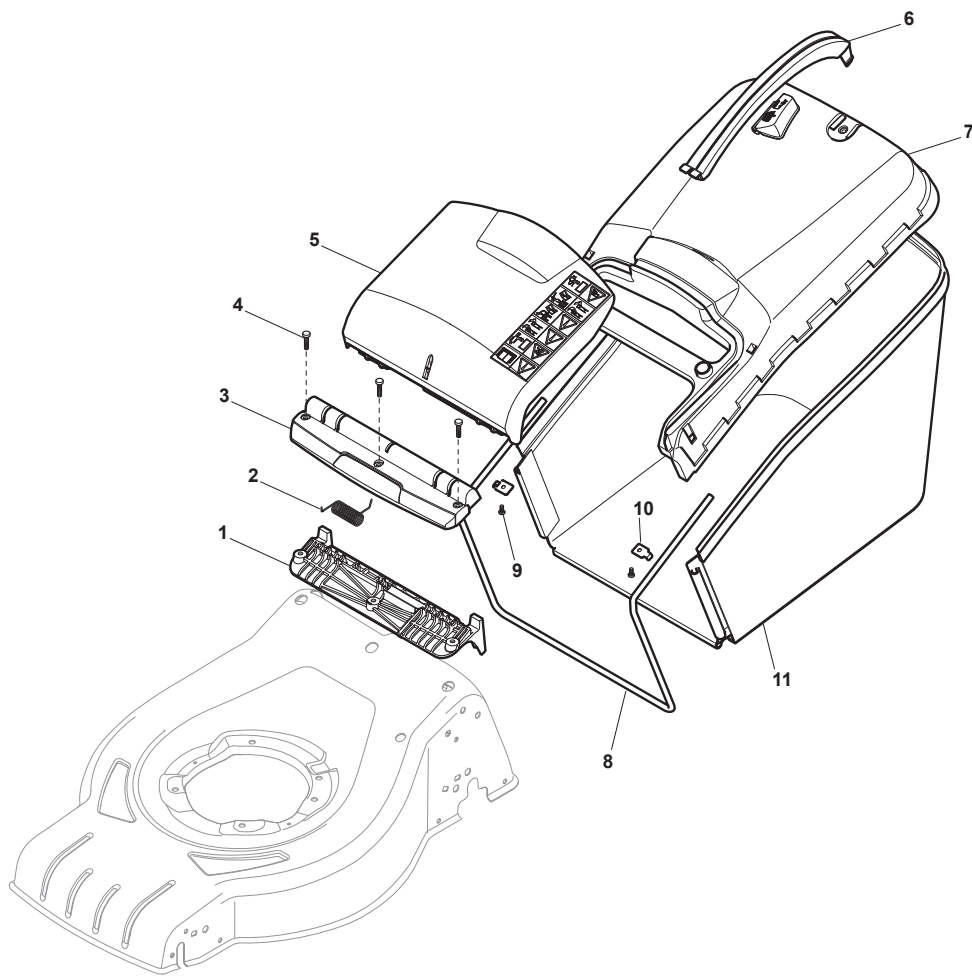


| Utgåva<br>Issue<br>11 - 2017 |               | Remskydd<br>Protection, Belt |                       |                    |                     |
|------------------------------|---------------|------------------------------|-----------------------|--------------------|---------------------|
| Pos.<br>Fig.                 | Antal<br>Q.ty | Art nr<br>Part No            | Benämning             | Description        | Anmärkning<br>Notes |
| 1                            | 1             | 322108309/1                  | Bakre Skyddluftledare | Rear Conveyor Assy | Black               |
| 2                            | 1             | 322600314/0                  | Utkastskydd           | Ejection Guard     |                     |
| 3                            | 2             | 112727803/0                  | Skruv                 | Screw              |                     |
| 4                            | 1             | 322806639/0                  | Fäste                 | Fulcrum Pin        |                     |
| 5                            | 2             | 112154510/0                  | Mutter                | Nut                |                     |
| 6                            | 2             | 118203853/0                  | Lock                  | Cap                |                     |
| 7                            | 1             | 122450456/0                  | Fjäder                | Spring             |                     |
| 8                            | 1             | 122517869/1                  | Stift                 | Pin                |                     |
| 9                            | 2             | 112604896/0                  | Starlock              | Crown Fastener     |                     |

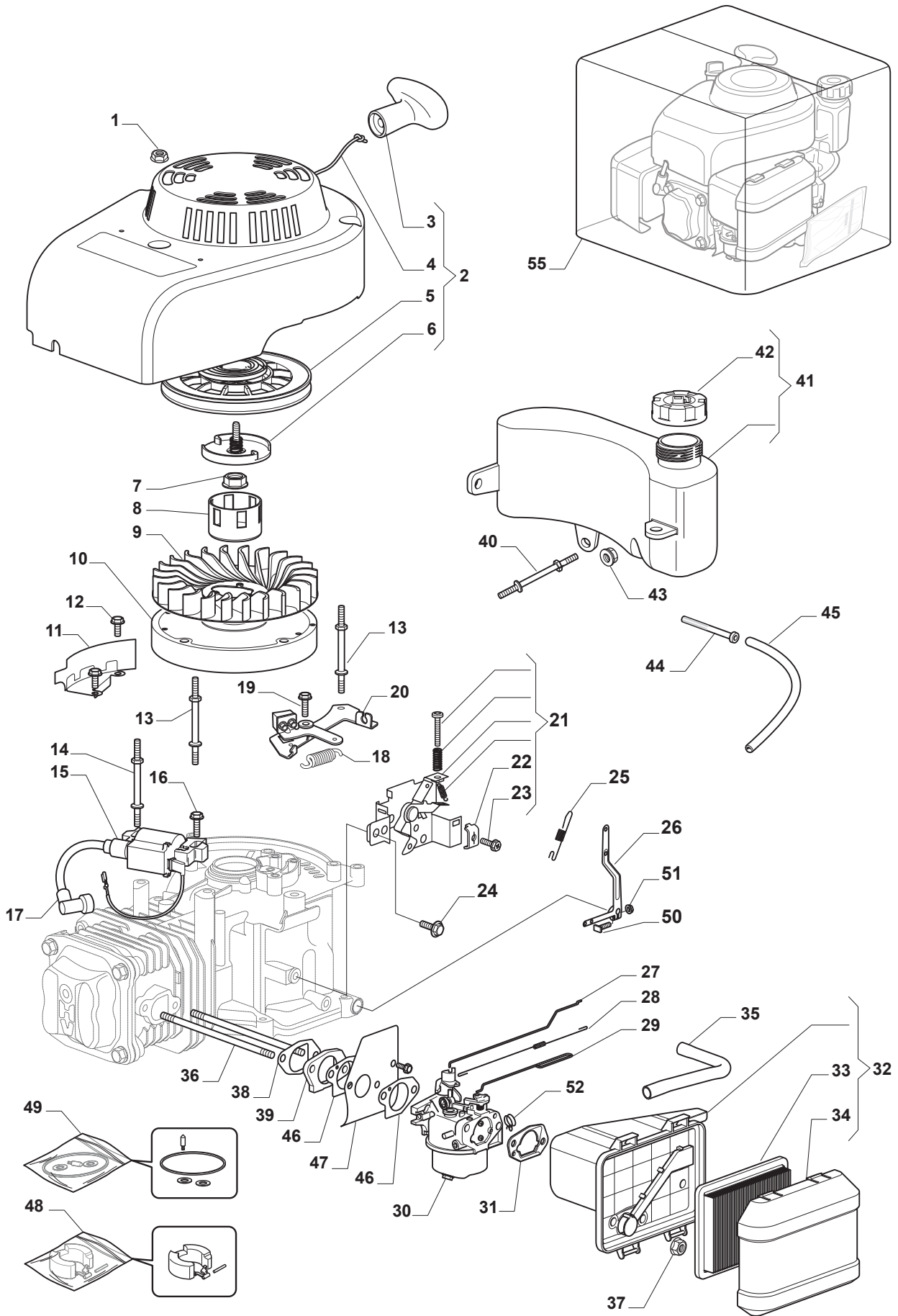




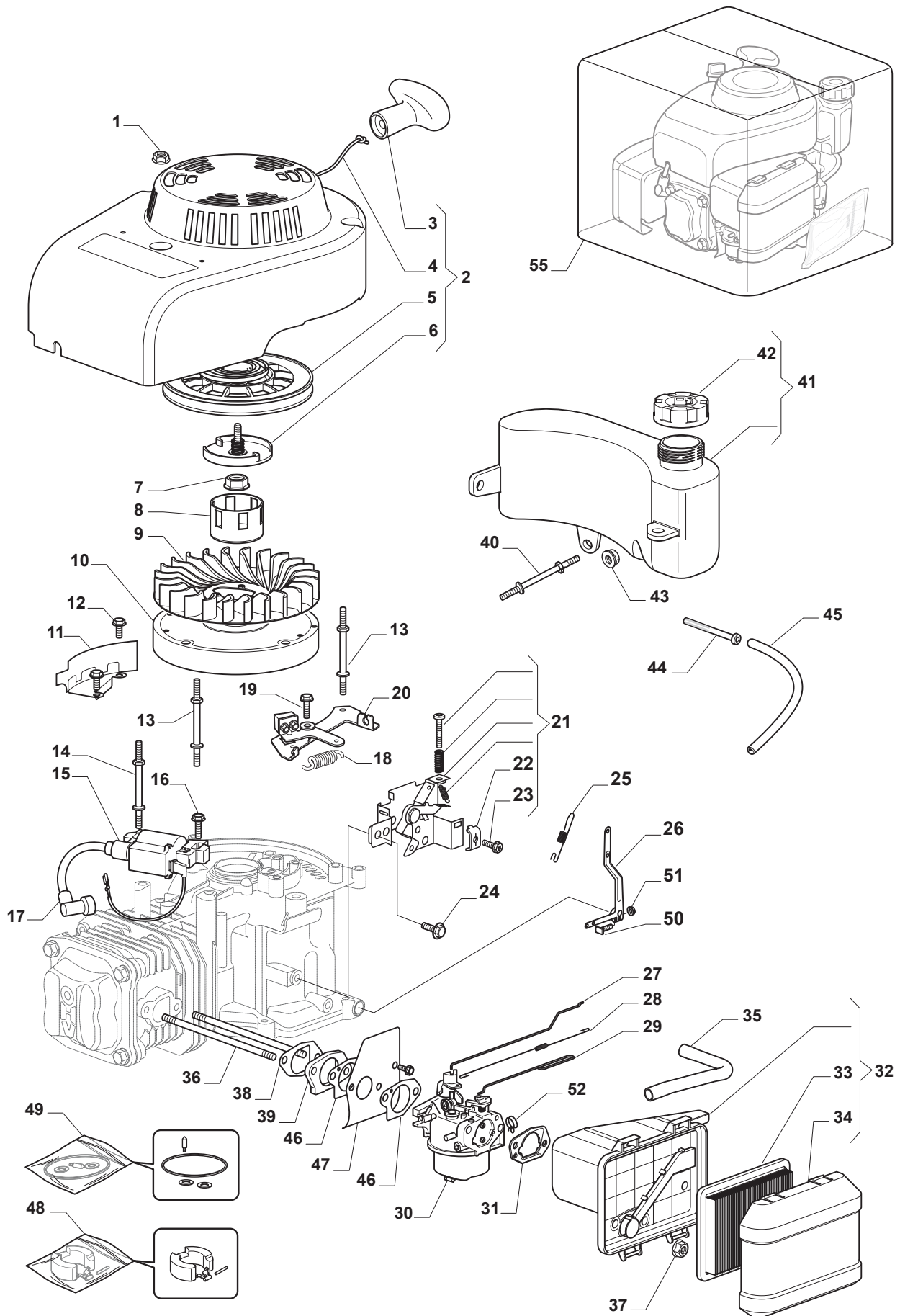
| Utgåva<br>Issue<br>11 - 2017 |               | Kniv<br>Blade     |                 |                                    |                     |
|------------------------------|---------------|-------------------|-----------------|------------------------------------|---------------------|
| Pos.<br>Fig.                 | Antal<br>Q.ty | Art nr<br>Part No | Benämning       | Description                        | Anmärkning<br>Notes |
| 1                            | 3             | 112735108/1       | Skruv           | Screw                              |                     |
| 2                            | 1             | 122465607/3       | Knivfäste D22,2 | Hub With Pulley, Crankshaft Ø 22,2 |                     |
| 3                            | 1             | 181004460/0       | Kniv            | Blade                              |                     |
| 4                            | 1             | 322680021/0       | Bricka          | Washer                             |                     |
| 5                            | 1             | 112508125/0       | Bricka          | Elastic Washer                     |                     |
| 6                            | 1             | 112735698/0       | Skruv           | Screw                              |                     |
| 7                            | 1             | 112139100/0       | Kil Ø 22,2      | Feather, Crankshaft Ø 22,2         |                     |
| 8                            | 3             | 112154210/0       | Mutter          | Nut                                |                     |



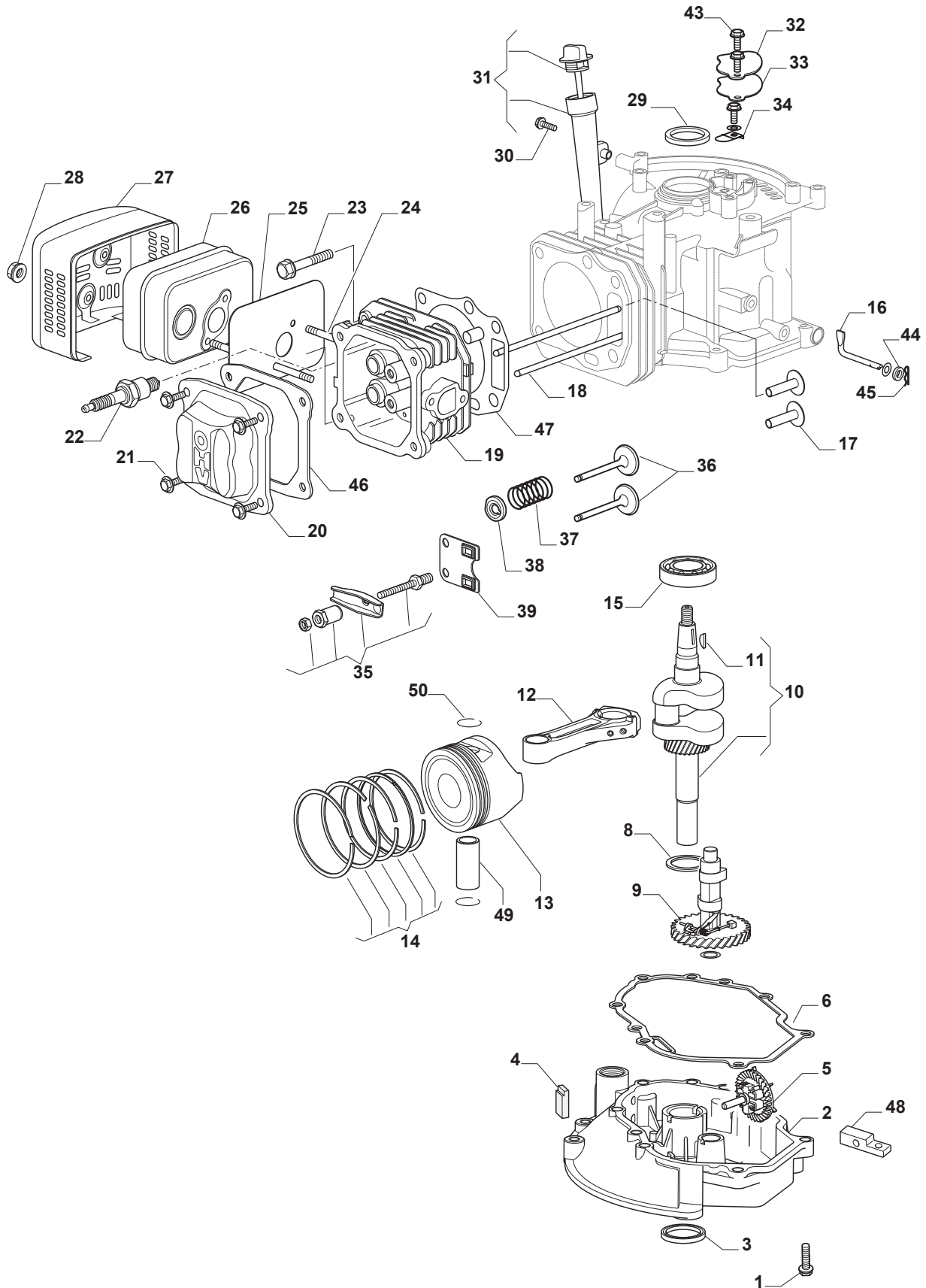
| Utgåva<br>Issue<br>11 - 2017 |               | Gräsuppsamlare<br>Grass-Catcher |  |  |                     |
|------------------------------|---------------|---------------------------------|--|--|---------------------|
| Pos.<br>Fig.                 | Antal<br>Q.ty | Art nr<br>Part No               | Benämning                              | Description                              | Anmärkning<br>Notes |
| 1                            | 1             | 322785331/0                     | Stenskydd Supp. Svart                  | Black Stone Guard Support                |                     |
| 2                            | 1             | 122450464/0                     | Fjäder                                 | Spring                                   |                     |
| 3                            | 1             | 322109556/0                     | Stenskydd Supp.Kapa Gul                | Stone Guard Supp. Cover Yellow           | Yellow              |
| 4                            | 3             | 112728699/0                     | Skruv                                  | Screw                                    |                     |
| 5                            | 1             | 322600214/1                     | Lucka-Gul                              | Stone Guard, Yellow                      | Yellow              |
| 6                            | 1             | 322393715/0                     | Handtag Bag Hybrid Cr/Cs Gra<br>Ncss-N | Handle, Grey                             | Grey NCSS-N         |
| 7                            | 1             | 381486016/OA                    | Uppsamlare-Överdel                     | Grass-Box, Upper Part Yellow             | Yellow              |
| 8                            | 1             | 122608561/0                     | Uppsamlare Undre Stiffening<br>Cruiser | Grasscatcher Lower Stiffening<br>Cruiser |                     |
| 9                            | 2             | 112728692/0                     | Skruv                                  | Screw                                    |                     |
| 10                           | 2             | 322545159/0                     | Plat                                   | Plate                                    |                     |
| 11                           | 1             | 181002318/0                     | Uppsamlingsäck                         | Box, Fabric                              |                     |



| Utgåva<br>Issue<br>11 - 2017 |               | Motor - Förgasare Kpl, Bränsletank |                           | Engine - Carburettor, Tank |                     |
|------------------------------|---------------|------------------------------------|---------------------------|----------------------------|---------------------|
| Pos.<br>Fig.                 | Antal<br>Q.ty | Art nr<br>Part No                  | Benämning                 | Description                | Anmärkning<br>Notes |
| 1                            | 3             | 112292102/0                        | Mutter                    | Nut                        |                     |
| 2                            | 1             | 118550276/1                        | Start Kpl                 | Starter Assy               |                     |
| 3                            | 1             | 118550274/0                        | Starthandtag              | Starter Handle             |                     |
| 4                            | 1             | 118550779/0                        | Startsnöre                | Starting Rope              |                     |
| 5                            | 1             | 118550778/0                        | Remskiva, Start Kpl       | Starter Pulley             |                     |
| 6                            | 1             | 118550275/0                        | Startspärr                | Starter Pawl Set           |                     |
| 7                            | 1             | 118550336/0                        | Mutter                    | Nut                        |                     |
| 8                            | 1             | 118550335/0                        | Startkopp                 | Starter Cup                |                     |
| 9                            | 1             | 118550254/0                        | Fläkt                     | Flywheel Fan               |                     |
| 10                           | 1             | 118550253/0                        | Svänghjul Kpl             | Flywheel Ass.Y             |                     |
| 11                           | 1             | 118550774/0                        | Skydd                     | Guard                      |                     |
| 12                           | 2             | 112791213/1                        | Skruv                     | Screw                      |                     |
| 13                           | 2             | 118550907/0                        | Stift                     | Pin                        |                     |
| 14                           | 1             | 118550301/0                        | Harnalssprintbult         | Stud Bolt                  |                     |
| 15                           | 1             | 118550255/1                        | Elektronikspole           | Electronic Coil            |                     |
| 16                           | 1             | 112791500/0                        | Skruv                     | Screw                      |                     |
| 17                           | 1             | 118551274/0                        | Tändstiftshatt            | Spark Plug Cap             |                     |
| 18                           | 1             | 118551288/0                        | Fjäder                    | Spring                     |                     |
| 19                           | 1             | 112791500/0                        | Skruv                     | Screw                      |                     |
| 20                           | 1             | 118551205/0                        | Svänghjulsbroms           | Flywheel Brake             |                     |
| 21                           | 1             | 118550259/0                        | Reglageplatta Kpl         | Remote Control Assy        |                     |
| 22                           | 1             | 118550337/0                        | Wireklämma                | Casing Clamp               |                     |
| 23                           | 1             | 118550338/0                        | Skruv                     | Screw                      |                     |
| 24                           | 2             | 112791213/1                        | Skruv                     | Screw                      |                     |
| 25                           | 1             | 118550260/0                        | Fjäder                    | Spring                     |                     |
| 26                           | 1             | 118550266/0                        | Regulatorarm Kpl          | Arm Governor Assy          |                     |
| 27                           | 1             | 118550397/0                        | Regulatorstang            | Governor Link              |                     |
| 28                           | 1             | 118550263/0                        | Fjäder                    | Spring                     |                     |
| 29                           | 1             | 118550264/0                        | Chokereglagestang         | Choke Control Rod          |                     |
| 30                           | 1             | 118550390/0                        | Förgasare Kpl             | Carburetor                 |                     |
| 31                           | 1             | 118550738/0                        | Luftfilterpackning        | Air Filter Gasket          |                     |
| 32                           | 1             | 118550737/0                        | Luftfilter Kpl            | Air Cleaner Assy           |                     |
| 33                           | 1             | 118550257/0                        | Luftfilter                | Air Filter                 |                     |
| 34                           | 1             | 118550739/0                        | Luftfilterkapa            | Air Cleaner Cover          |                     |
| 35                           | 1             | 118550377/0                        | Ventilations slang        | Breather Fule Pipe         |                     |
| 36                           | 2             | 118550930/0                        | Harnalssprintbult         | Stud Bolt                  |                     |
| 37                           | 2             | 112292102/0                        | Mutter                    | Nut                        |                     |
| 38                           | 1             | 118550929/0                        | Packning                  | Gasket                     |                     |
| 39                           | 1             | 118550928/0                        | Packning                  | Insulator, Carburettor     |                     |
| 40                           | 1             | 118550315/0                        | Harnalssprintbult         | Stud Bolt                  |                     |
| 41                           | 1             | 118550316/1                        | Bränsletank               | Fuel Tank                  |                     |
| 42                           | 1             | 118550943/0                        | Tanklock                  | Fuel Cap                   |                     |
| 43                           | 1             | 118550806/0                        | Mutter                    | Nut                        |                     |
| 44                           | 1             | 118550314/0                        | Bränslefilter             | Fuel Filter                |                     |
| 45                           | 1             | 118550340/0                        | Bränsleslang              | Fuel Pipe                  |                     |
| 46                           | 2             | 118551264/0                        | Packning, Förgasare       | Carburetor Gasket          |                     |
| 47                           | 1             | 118551266/0                        | Packning, Förgasare       | Carburetor Gasket          |                     |
| 48                           | 1             | 118550388/0                        | Reparationssats Förgasare | Kit Repair, Carburettor    |                     |
| 49                           | 1             | 118550743/0                        | Packningssats             | Gasket Carburettor Assy    |                     |

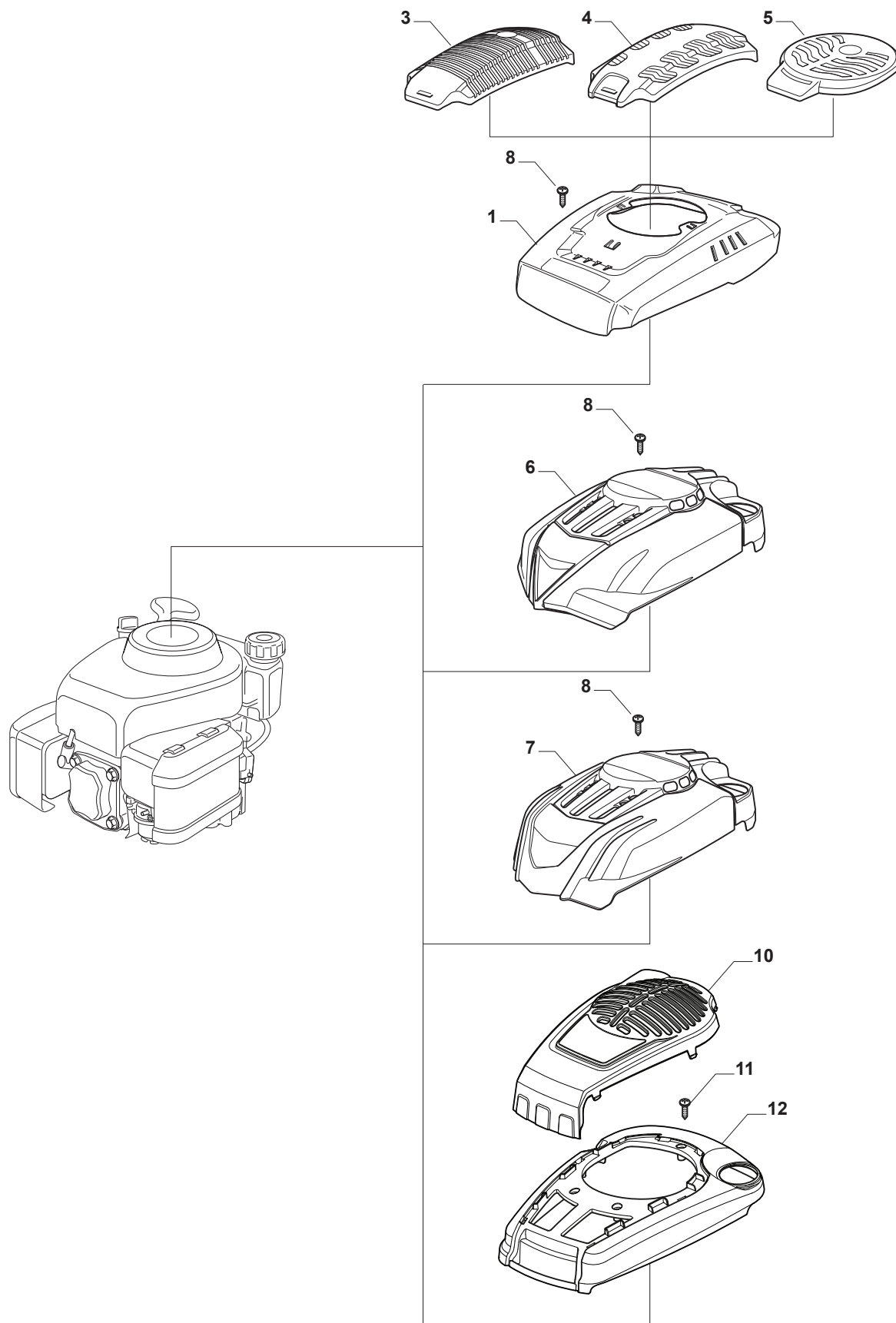


| Utgåva<br>Issue<br>11 - 2017 |               | Motor - Förgasare Kpl, Bränsletank<br>Engine - Carburettor, Tank |              |                  |                     |
|------------------------------|---------------|--|--------------|------------------|---------------------|
| Pos.<br>Fig.                 | Antal<br>Q.ty | Art nr<br>Part No  | Benämning    | Description      | Anmärkning<br>Notes |
| 50                           | 1             | 118550805/0  | Skruv        | Screw            |                     |
| 51                           | 1             | 118550806/0  | Mutter       | Nut              |                     |
| 52                           | 2             | 118550918/0  | Kabelhallare | Pipe Clip        |                     |
| 55                           | 1             | 118550408/0  | Motor Kpl    | Engine Assembled |                     |





| Utgåva<br>Issue<br>11 - 2017 |               | Motor - Kolv, Vevaxel |   | Engine - Piston, Crankshaft  |                     |
|------------------------------|---------------|-----------------------|---|------------------------------|---------------------|
| Pos.<br>Fig.                 | Antal<br>Q.ty | Art nr<br>Part No     | Benämning                                 | Description                  | Anmärkning<br>Notes |
| 1                            | 7             | 112674550/0           | Skruv                                     | Screw                        |                     |
| 2                            | 1             | 118551208/0           | Vehusgavel Kpl                            | Crankcase Cover              |                     |
| 3                            | 1             | 118550379/0           | Tätningring                               | Oil Seal                     |                     |
| 4                            | 1             | 118550775/0           | Gummipackning                             | Grommet                      |                     |
| 5                            | 1             | 118550312/1           | Regulator Kpl                             | Speed Governor Assy          |                     |
| 6                            | 1             | 118550380/1           | Vevhuspackning                            | Crankcase Gasket             |                     |
| 8                            | 1             | 118550283/0           | Bricka                                    | Washer                       |                     |
| 9                            | 1             | 118550271/0           | Kamaxel                                   | Camshaft Assy                |                     |
| 10                           | 1             | 118550385/0           | Vevaxel Kpl                               | Crankshaft                   |                     |
| 11                           | 1             | 118550288/0           | Woodruffkil                               | Woodruff Key                 |                     |
| 12                           | 1             | 118550284/0           | Vevstake                                  | Connecting Rod Assy          |                     |
| 13                           | 1             | 118551213/0           | Kolv                                      | Piston                       |                     |
| 14                           | 1             | 118550286/0           | Kolvringssats                             | Piston, Ring Set             |                     |
| 15                           | 1             | 118550280/0           | Kullager                                  | Ball Bearing                 |                     |
| 16                           | 1             | 118550936/0           | Regulatoraxel                             | Shaft, Governor Arm          |                     |
| 17                           | 2             | 118550291/0           | Ventillyftare                             | Valve Lifter Assy            |                     |
| 18                           | 2             | 118551251/0           | Tryckstang                                | Push Rod                     |                     |
| 19                           | 1             | 118551212/0           | Topplöck                                  | Cylinder Head                |                     |
| 20                           | 1             | 118550296/2           | Ventilkapa                                | Cover Comp., Head            |                     |
| 21                           | 4             | 118551277/0           | Bult                                      | Bolt                         |                     |
| 22                           | 1             | 9400-0244-00          | Tändstift                                 | Spark Plug                   |                     |
| 23                           | 4             | 118550297/0           | Skruv                                     | Screw                        |                     |
| 24                           | 2             | 118550298/0           | Harnalssprintbult                         | Stud Bolt                    |                     |
| 25                           | 1             | 118550270/0           | Ljuddämparpackning                        | Muffler Gasket               |                     |
| 26                           | 1             | 118550269/0           | Ljuddämpare                               | Muffler                      |                     |
| 27                           | 1             | 118550268/1           | Ljuddämparskydd                           | Muffler Guard                |                     |
| 28                           | 2             | 118550806/0           | Mutter                                    | Nut                          |                     |
| 29                           | 1             | 118550300/0           | Tätningring                               | Oil Seal                     |                     |
| 30                           | 1             | 112674550/0           | Skruv                                     | Screw                        |                     |
| 31                           | 1             | 118550311/1           | Oljesticka Kpl                            | Oil Filler Assy              |                     |
| 32                           | 1             | 118551210/0           | Cap,Breather Chamber                      | Cap,Breather Chamber         |                     |
| 33                           | 1             | 118551211/0           | Breather Chamber Gasket                   | Breather Chamber Gasket      |                     |
| 34                           | 1             | 118550303/0           | Plat                                      | Plate                        |                     |
| 35                           | 1             | 118550273/0           | Vipparmsats                               | Valve Arm Set                |                     |
| 36                           | 1             | 118550910/0           | Insugningsventil + Utblåsning-<br>sventil | Valve Assy, Intake + Exhaust |                     |
| 37                           | 2             | 118551300/0           | Fjäder                                    | Spring                       |                     |
| 38                           | 2             | 118550895/0           | Hallare                                   | Retainer                     |                     |
| 39                           | 1             | 118551253/0           | Platta                                    | Plate                        |                     |
| 43                           | 3             | 112790500/0           | Skruv                                     | Screw                        |                     |
| 44                           | 1             | 118550935/0           | Tätningring                               | Oil Seal                     |                     |
| 45                           | 1             | 118550856/0           | Lasnal                                    | Cotter Pin                   |                     |
| 46                           | 1             | 118551237/0           | Topplöckspackning                         | Cylinder Head Gasket         |                     |
| 47                           | 1             | 118551233/0           | Cylinderpackning                          | Cylinder Gasket              |                     |
| 48                           | 1             | 118551269/0           | Plat,Governor Holder                      | Plate,Governor Holder        |                     |
| 49                           | 1             | 118550915/0           | Kolvsprint                                | Piston Pin                   |                     |
| 50                           | 2             | 118550914/0           | Bricka                                    | Washer, Piston Pin           |                     |



| Utgåva<br>Issue<br>11 - 2017 |               | Motor Kapa<br>Engine Cover |                           |                           |                     |
|------------------------------|---------------|----------------------------|---------------------------|---------------------------|---------------------|
| Pos.<br>Fig.                 | Antal<br>Q.ty | Art nr<br>Part No          | Benämning                 | Description               | Anmärkning<br>Notes |
| 1                            | 1             | 322055463/1                | Kapa                      | Cover                     |                     |
| 3                            | 1             | 322055452/0                | Kapa Svart                | Cover, Black              |                     |
| 4                            | 1             | 322055450/0                | Kapa Svart                | Cover, Black              |                     |
| 5                            | 1             | 322055439/0                | Kapa Svart                | Cover, Black              |                     |
| 6                            | 1             | 381002068/0                | Kapa                      | Cover                     |                     |
| 7                            | 1             | 381002067/0                | Kapa                      | Cover                     |                     |
| 8                            | 3             | 112728680/0                | Skruv                     | Screw                     |                     |
| 10                           | 1             | 322055516/0                | Motorkapa                 | Engine Cover              |                     |
| 11                           | 3             | 112728099/1                | Skruv                     | Screw                     |                     |
| 12                           | 1             | 322055517/0                | Engine Base Cover, Yellow | Engine Base Cover, Yellow |                     |
| 12                           | 1             | 322055552/0                | Engine Base Cover, Black  | Engine Base Cover, Black  |                     |



| <b>code</b>  | <b>pos.</b> | <b>q.ty</b> | <b>page</b> |
|--------------|-------------|-------------|-------------|
| 322680009/0  | 13          | 1           | p. 11       |
| 322680021/0  | 4           | 1           | p. 17       |
| 322785331/0  | 1           | 1           | p. 19       |
| 322806639/0  | 4           | 1           | p. 15       |
| 322869673/0  | 7           | 1           | p. 5        |
| 381002067/0  | 7           | 1           | p. 27       |
| 381002068/0  | 6           | 1           | p. 27       |
| 381004872/0  | 1           | 1           | p. 3        |
| 381005177/0  | 9           | 1           | p. 3        |
| 381005179/0  | 7           | 1           | p. 3        |
| 381006753/0  | 1           | 1           | p. 9        |
| 381006754/0  | 1           | 1           | p. 9        |
| 381007455/1  | 1           | 2           | p. 13       |
| 381007467/1  | 5           | 2           | p. 13       |
| 381007537/0  | 1           | 1           | p. 7        |
| 381008691/0  | 15          | 1           | p. 7        |
| 381030051/0  | 11          | 1           | p. 9        |
| 381302817/0  | 13          | 1           | p. 5        |
| 381302821/0  | 1           | 1           | p. 5        |
| 381486016/0A | 7           | 1           | p. 19       |