



Reservdelskatalog Parts Catalogue

COMBI 53 SEQ

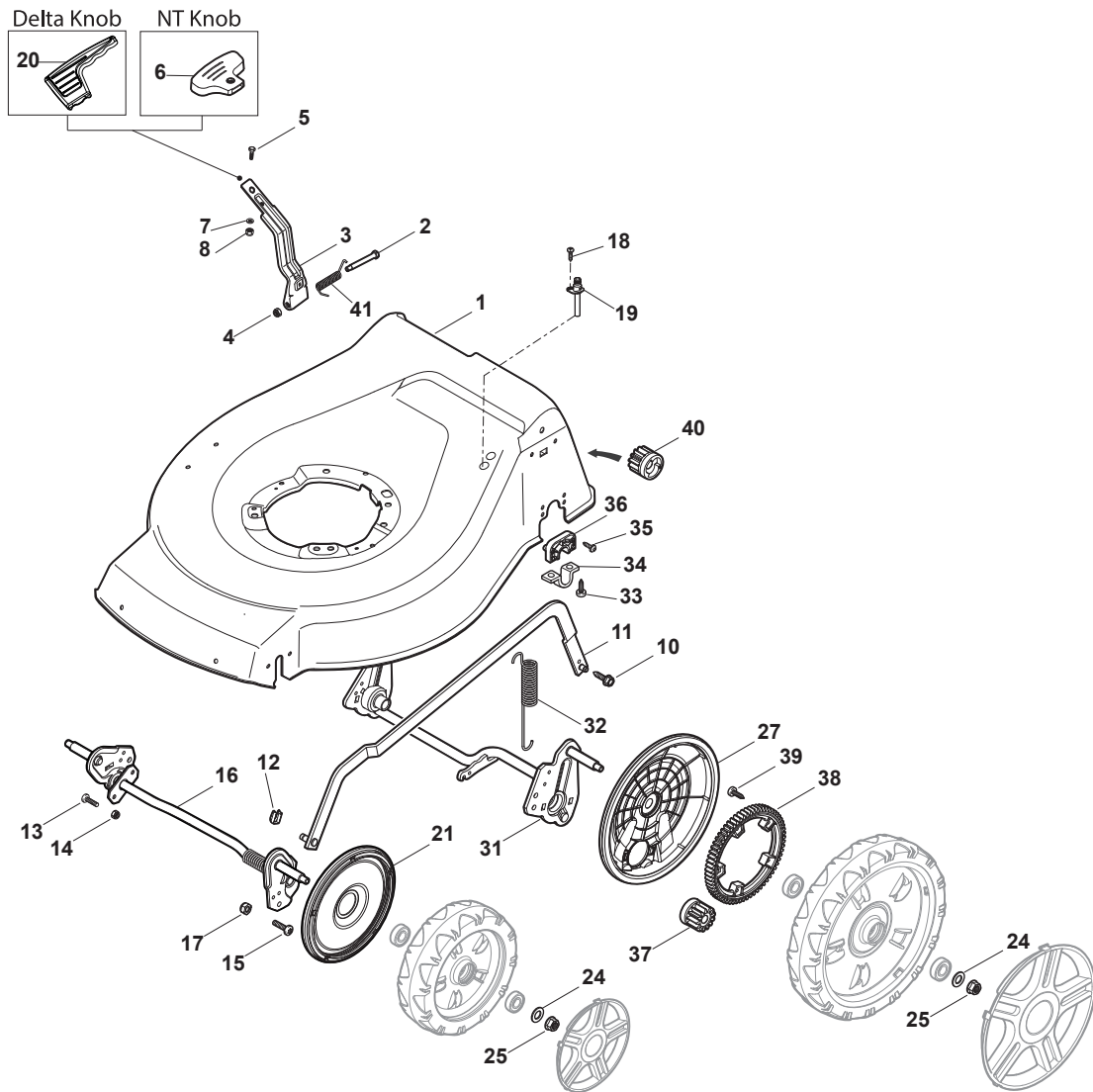
299536548/S14 - Season 2017

- Use GLOBAL GARDEN PRODUCT Genuine Spare Parts specified in the parts list for repair and/or replacement.
 - The contents described in the parts list may change due to improvement.
 - The drawings of the spare parts are only indicative and might not represent the part in question exactly.
 - The indications "right" - "left" - "front" - "rear" refer to the position of the operator when using the machine.
- When placing orders of parts for repair and/or replacement, make sure that the illustrated parts list is the one applying to the machine's year of manufacture, as shown on the identification plate attached to the machine.

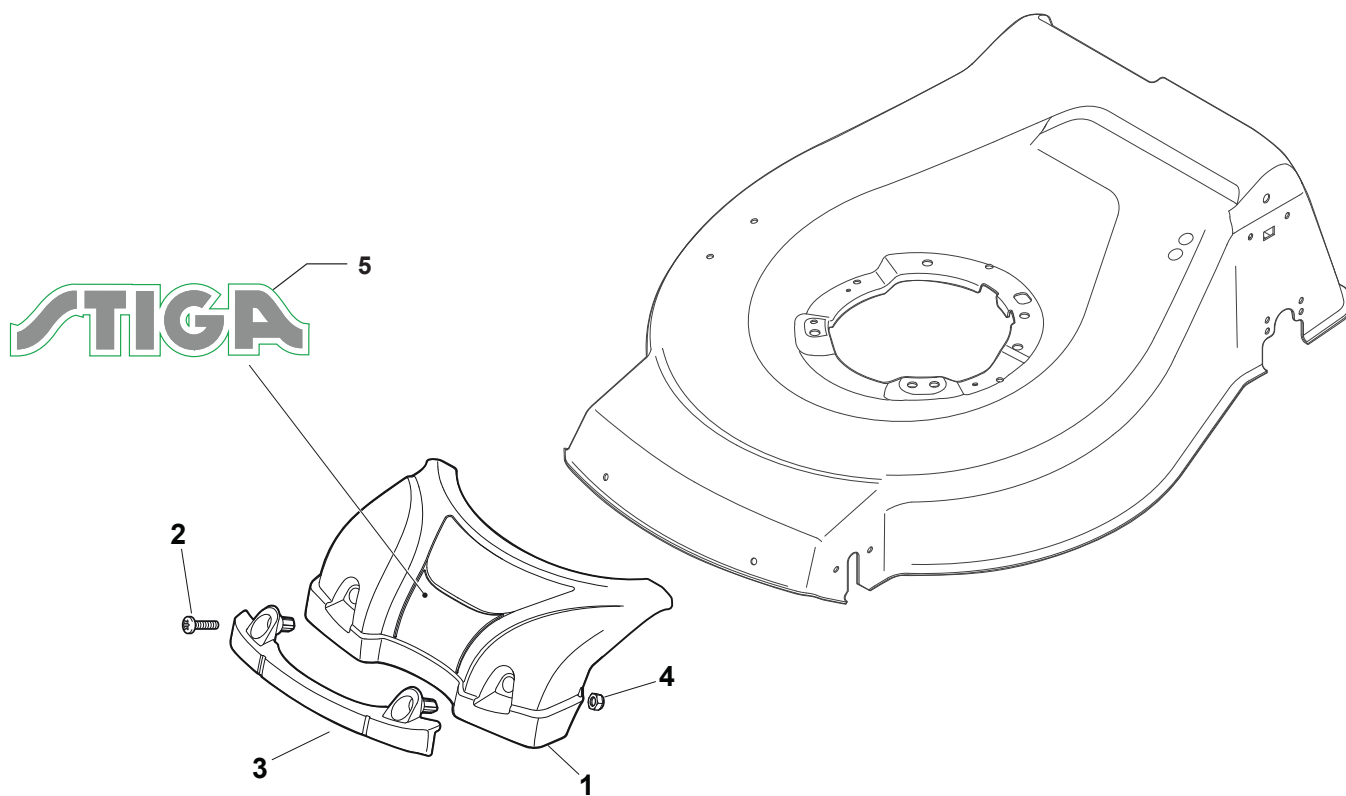
© Copyright 2017 Global Garden Products

All rights reserved. No part of this material may be reproduced or transmitted, in any form or by any means, electronic or mechanical, including photocopying, recording or by any information storage and retrieval system, without permission in writing from GLOBAL GARDEN PRODUCTS.

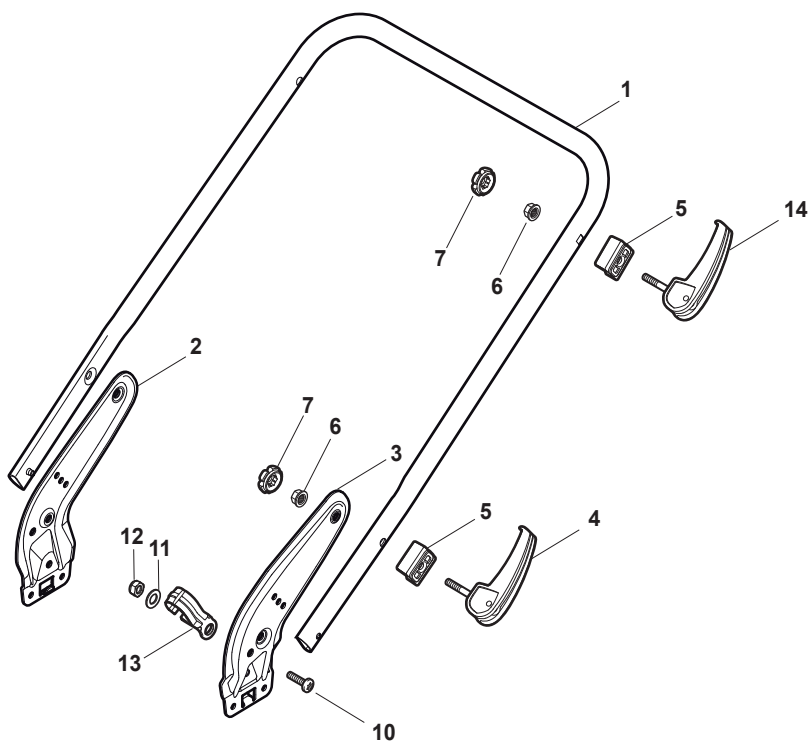
www.stiga.com



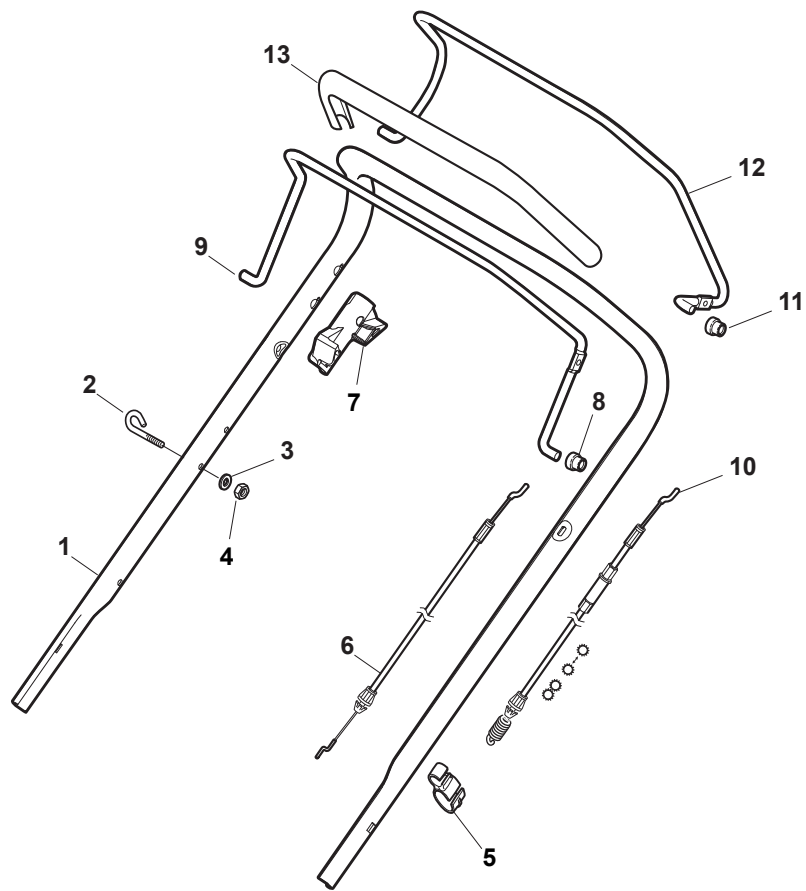
Utgåva Issue 40 - 2016		Kapa och höjdställning		Deck And Height Adjusting	
Pos. Fig.	Antal Q.ty	Art nr Part No	Benämning	Description	Anmärkning Notes
1	1	381004732/0	Chassi-gra	Grey Deck	
2	1	122534131/0	Stift	Pin	
3	1	381003398/0	Höjdställningsspak	Lever, Height Adjustment	Galvanized - Black
3	1	381003399/0	Höjdställningsspak	Lever, Height Adjustment	Galvanized - White
4	1	112154510/0	Mutter	Nut	
5	1	112788512/0	Skruv	Screw	
6	1	322394503/0	Knopp.Kontroll.Spak Svart.	Knob	NT Knob
7	1	112521310/0	Bricka	Washer	
8	1	112150000/0	Mutter	Nut	
10	1	122943013/0	Skruv	Screw	
11	1	381002032/0	Höjdställningsstag	Rod, Height Adjustment	
12	1	112436051/0	Plat	Plate	
13	3	112727803/0	Skruv	Screw	
14	1	381003452/0	Kontrollspak	Wheels Adjusting Lever	Specific for Engine GGP 100/140/160/196 and B&S 300/450E/500E
15	1	112727801/0	Skruv	Screw	
16	1	381002887/1	Hjulaxel-fram	Front Wheel Axle	
17	1	112154510/0	Mutter	Nut	
18	1	112728450/0	Skruv	Screw	
19	1	322034002/0	Tvättanslutning Nt (Svart)	Washing Connection	
20	1	322394522/0	Knopp.Kontroll.Spak Svart.	Knob	Delta Knob
21	2	322600145/0	Hjulskydd	Protection, Wheel	
24	4	112521350/0	Bricka	Washer	
25	4	112155000/0	Mutter	Nut	
27	2	322600208/0	Hjulskydd	Protection, Wheel	
31	1	381302835/1	Hjulaxel-bakre	Axle, Rear Wheels	
32	1	122450460/0	Fjäder	Spring	
33	4	112728697/0	Skruv	Screw	
34	2	322545152/0	Plat	Plate	
35	4	112728697/0	Skruv	Screw	
36	2	322785304/1	Fäste	Support	
37	1	122570134/0	Drev	Left Pinion	
38	2	322120115/0	Drev	Wheels Crown	
39	6	112728706/0	Skruv	Screw	
40	1	122570133/0	Drev	Right Pinion	
41	1	122446192/0	Fjäder	Spring	



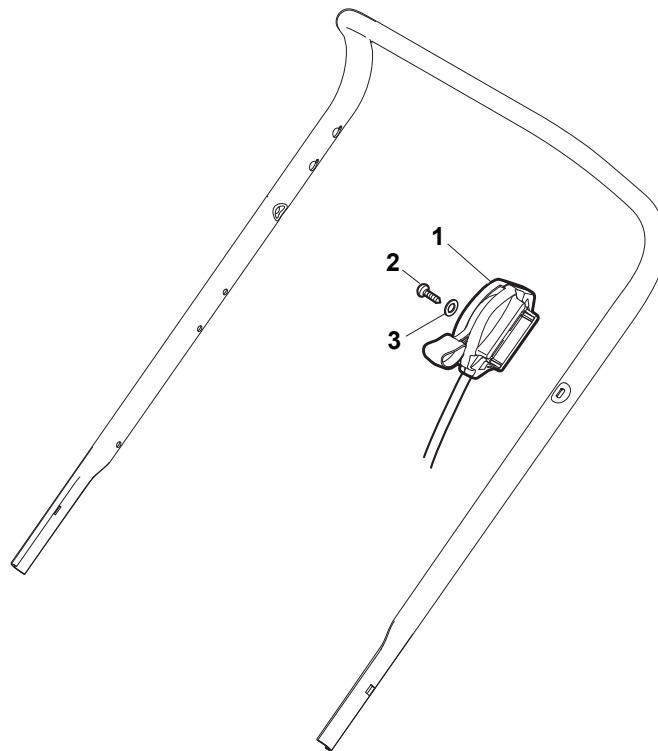
Utgåva Issue 40 - 2016		Mask			
Pos. Fig.	Antal Q.ty	Art nr Part No	Benämning	Description	Anmärkning Notes
1	1	322226196/0	Front Stiga gra	Mask, Grey	
2	2	112727799/0	Skruv	Screw	
3	1	322393639/0	Handtag, främre Gra	Handle, Grey	
4	2	112154510/0	Mutter	Nut	
5	1	114367494/2	Dekal STIGA logo	Label STIGA logo	



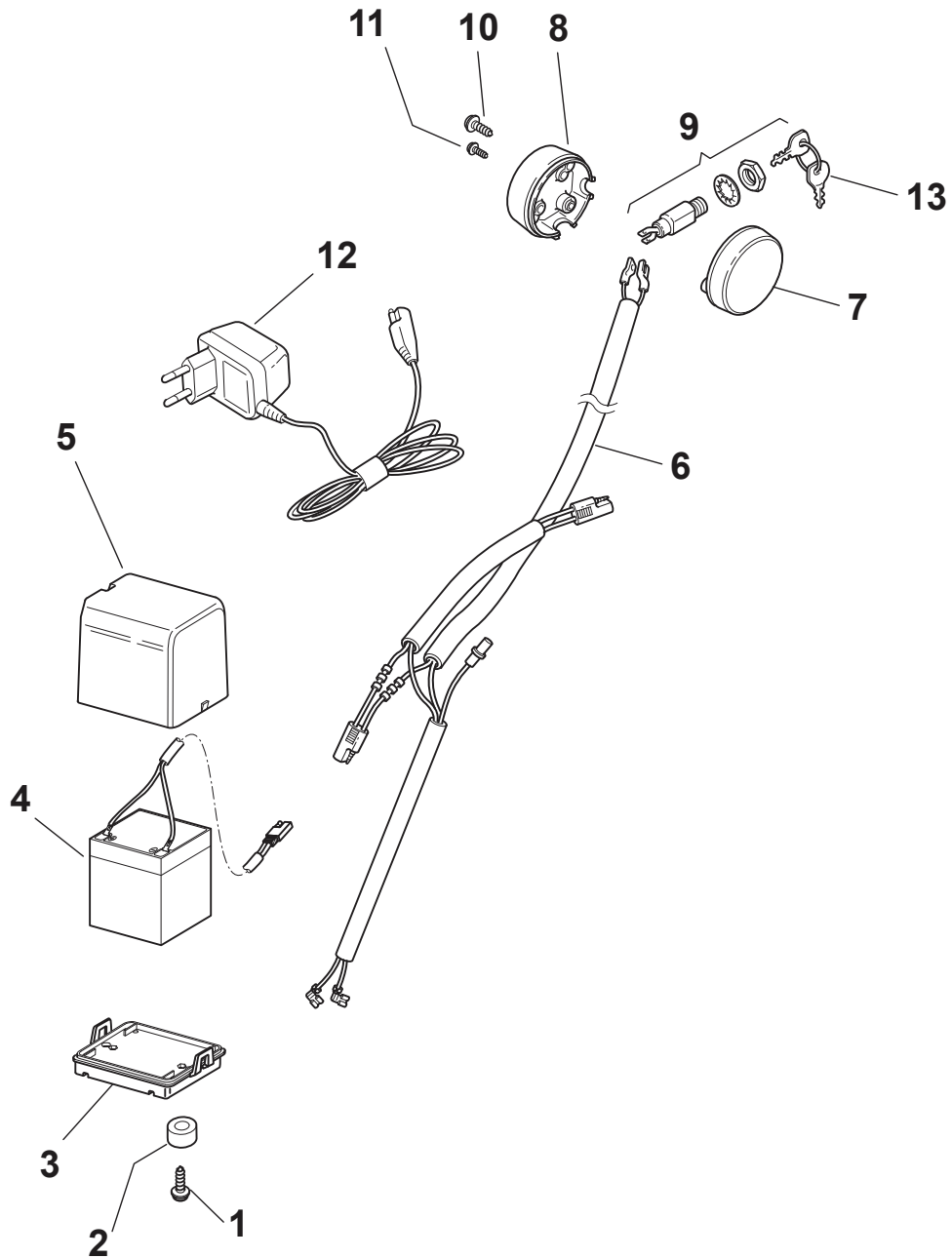
Utgåva Issue 40 - 2016		Reglage, nedre Handle, Lower Part			
Pos. Fig.	Antal Q.ty	Art nr Part No	Benämning	Description	Anmärkning Notes
1	1	381007539/0	Reglage, nedre Gul	Handle, Lower Part Yellow	
2	1	381005185/0	Fäste-hö	Right Bracket	Stiga Grey
3	1	381005187/0	Fäste-vä	Left Bracket	Stiga Grey
4	4	381003253/0	Handtag övre	Handle	
5	4	322680016/0	Bricka	Washer	
6	4	122131750/0	Mutter	Nut	
7	4	322399835/0	Handtagsknopp	Knob	
10	2	112760605/0	Skruv	Screw	
11	2	125038002/1	Bussning	Bushing	
12	2	112155000/0	Mutter	Nut	
13	1	322192156/0	Fairlead HallareKlämma	Clip	
14	2	381103350/0	Lashandtag	Handle	



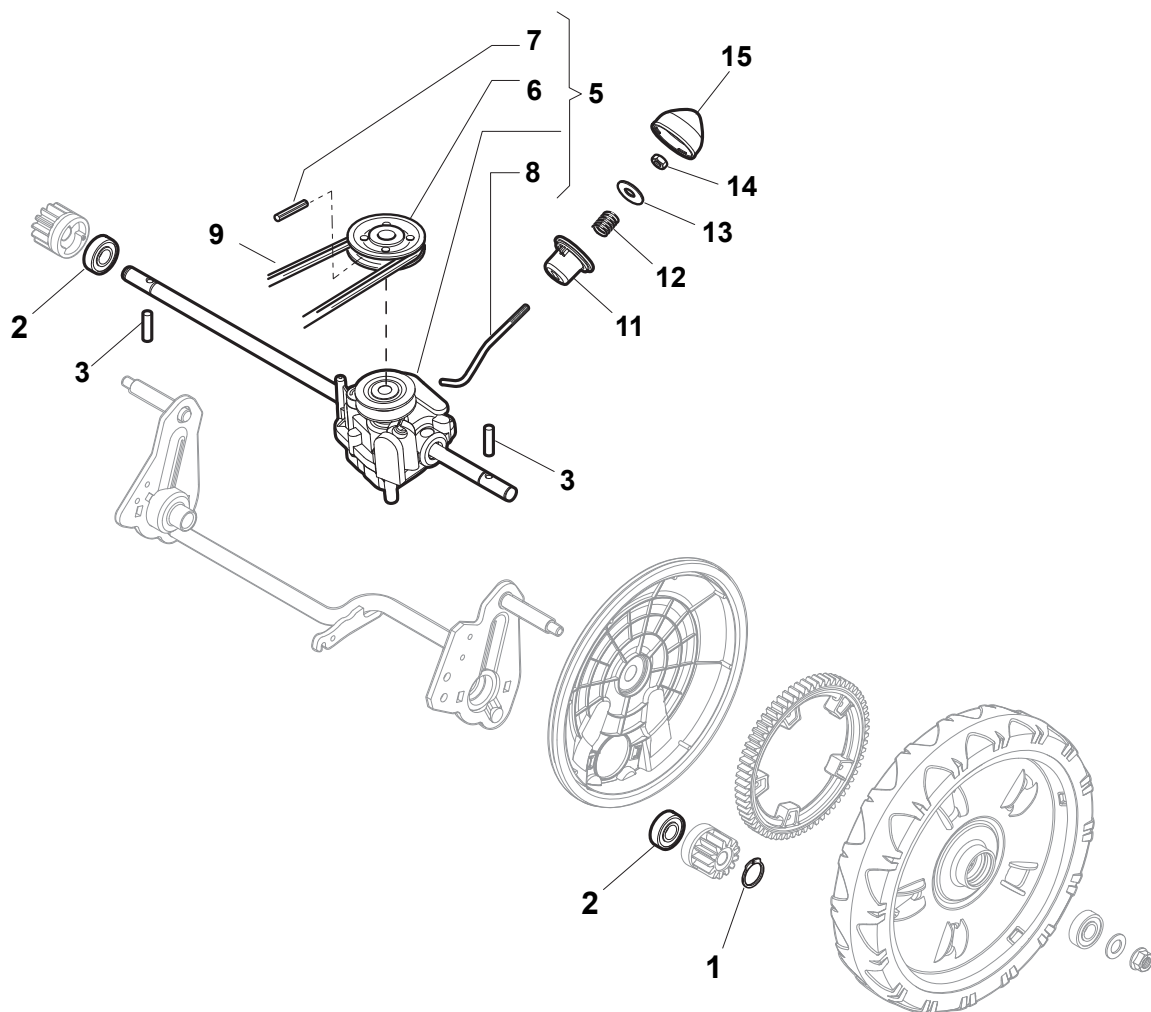
Utgåva Issue 40 - 2016		Reglage, övre Handle, Upper Part			
Pos. Fig.	Antal Q.ty	Art nr Part No	Benämning	Description	Anmärkning Notes
1	1	381007540/0	Handtag, övre Gul	Handle, Upper Part Yellow	(for NT Throttle or DELTA Dashboard)
2	1	122430313/0	Fjäder	Guide Spring	
3	1	112521330/0	Bricka	Washer	
4	1	112154510/0	Mutter	Nut	
5	1	118390020/0	Vajerhallare	Conduit Clip	
6	1	181030053/0	Motorbromswire	Cable, Thread Engine Brake	
7	1	322545204/0	Vridpunkt	Fulcrum Pin	
8	1	122041966/0	Bussning	Bushing	
9	1	181003300/1	Reglagebygel	Lever, Engine Brake	
10	1	381030092/1	Växelkabel	Cable Rear Drive	
11	1	122041966/0	Bussning	Bushing	
12	1	181003301/0	Spak Handtag	Drive Control Lever	
13	1	122291050/0	Handtag, svart	Handgrip Black	



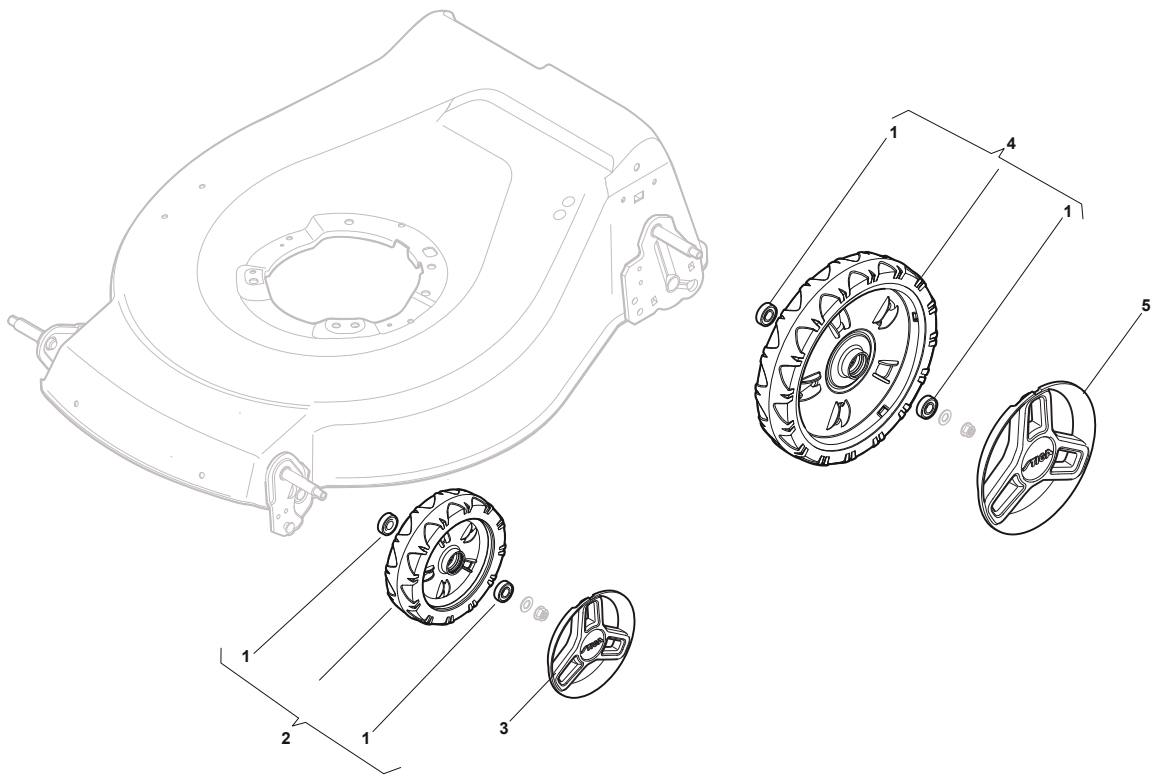
Utgåva Issue 40 - 2016		Reglage Controls			
Pos. Fig.	Antal Q.ty	Art nr Part No	Benämning	Description	Anmärkning Notes
1	1	181005501/1	Gasreglage	Throttle Cable	
2	1	112735103/0	Skruv	Screw	
3	1	112523040/0	Bricka	Washer	



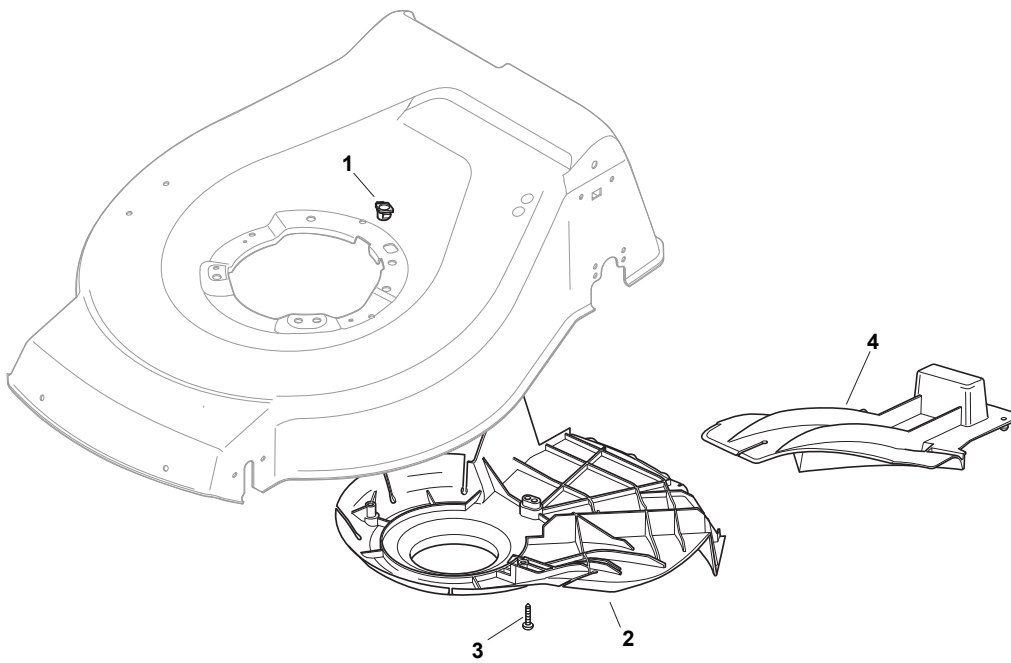
Utgåva Issue 40 - 2016		Reglage Electric Start Controls			
Pos. Fig.	Antal Q.ty	Art nr Part No	Benämning	Description	Anmärkning Notes
1	2	112731590/0	Skruv	Screw	
2	2	125160012/0	Distans	Spacer	
3	1	322785123/0	Batterifäste	Battery Support	
4	1	118120052/0	Batteri	Battery	
5	1	322109530/0	BatteriKapa	Battery Cover	
6	1	118204192/3	Startkabel	Electric Start Wire	
7	1	322722801/0	Hus	Starting Block Outer Half-Bearing	
8	1	322722800/0	Hus	Starting Block Inner Half-Bearing	
9	1	118450050/0	Tändningslas	Starting Block	
10	2	112728702/0	Skruv	Screw	
11	1	112728691/0	Skruv	Screw	
12	1	118204120/1LC	Batteriladdare	Battery Charger	(CE)
13	1	118210016/1	Tändningsnyckel Indak	Starting Key	



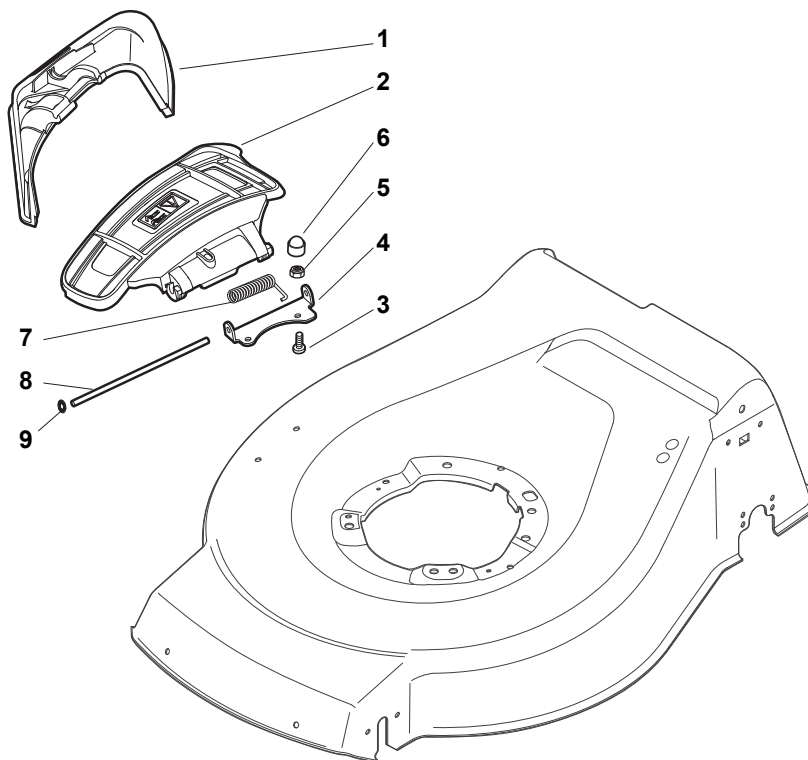
Utgåva Issue 40 - 2016		Bakhjulsdrivning		Transmission	
Pos. Fig.	Antal Q.ty	Art nr Part No	Benämning	Description	Anmärkning Notes
1	2	112608600/0	Segersäkring	Seeger	
2	2	119216035/0	Lager	Bearing	
3	2	122753000/0	Spännstift	Pin	
5	1	181003076/1	Transmission	Gear Box	
6	1	122601909/0	Remskiva	Pulley	
7	1	112645700/0	Spännstift	Elastic Pin	
8	1	122033283/0	Justerstang	Adjustment Rod	
9	1	135063902/0	Drivrem	Belt	
11	1	122041957/1	Bussning	Bushing	
12	1	122450063/0	Fjäder	Spring	
13	1	322680009/0	Bricka	Washer	
14	1	112154510/0	Mutter	Nut	
15	1	122110230/0	Navkapsel	Hub Cover	



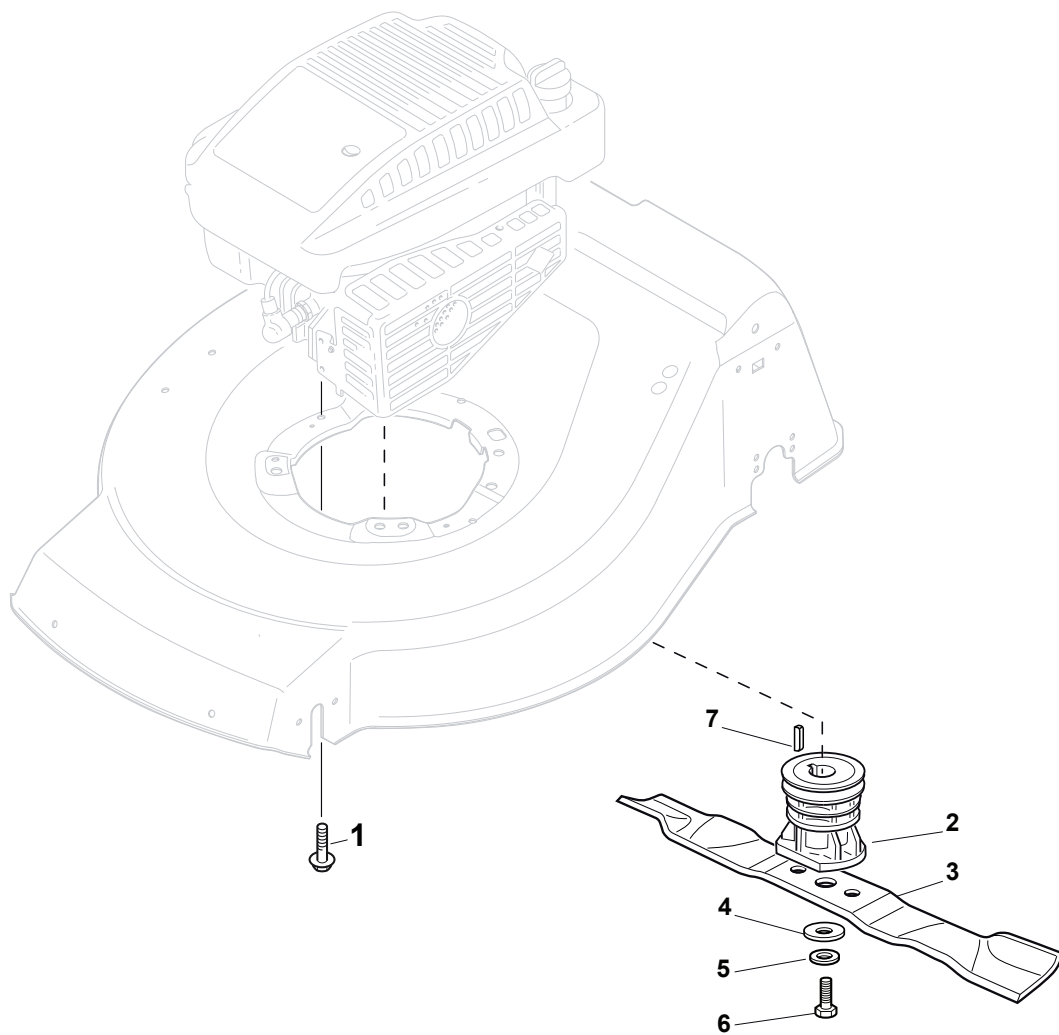
Utgåva Issue 40 - 2016		Hjul och navkapsel Wheels and Hub Caps			
Pos. Fig.	Antal Q.ty	Art nr Part No	Benämning	Description	Anmärkning Notes
1	8	119216035/0	Lager	Bearing	
2	4	381007416/2	Hjul	Wheel	
3	2	322110744/0	Navkapsel Gra	Hub Cap Grey	
4	2	381007417/2	Hjul	Wheel	
5	2	322110746/0	Navkapsel	Hub Cap Grey	



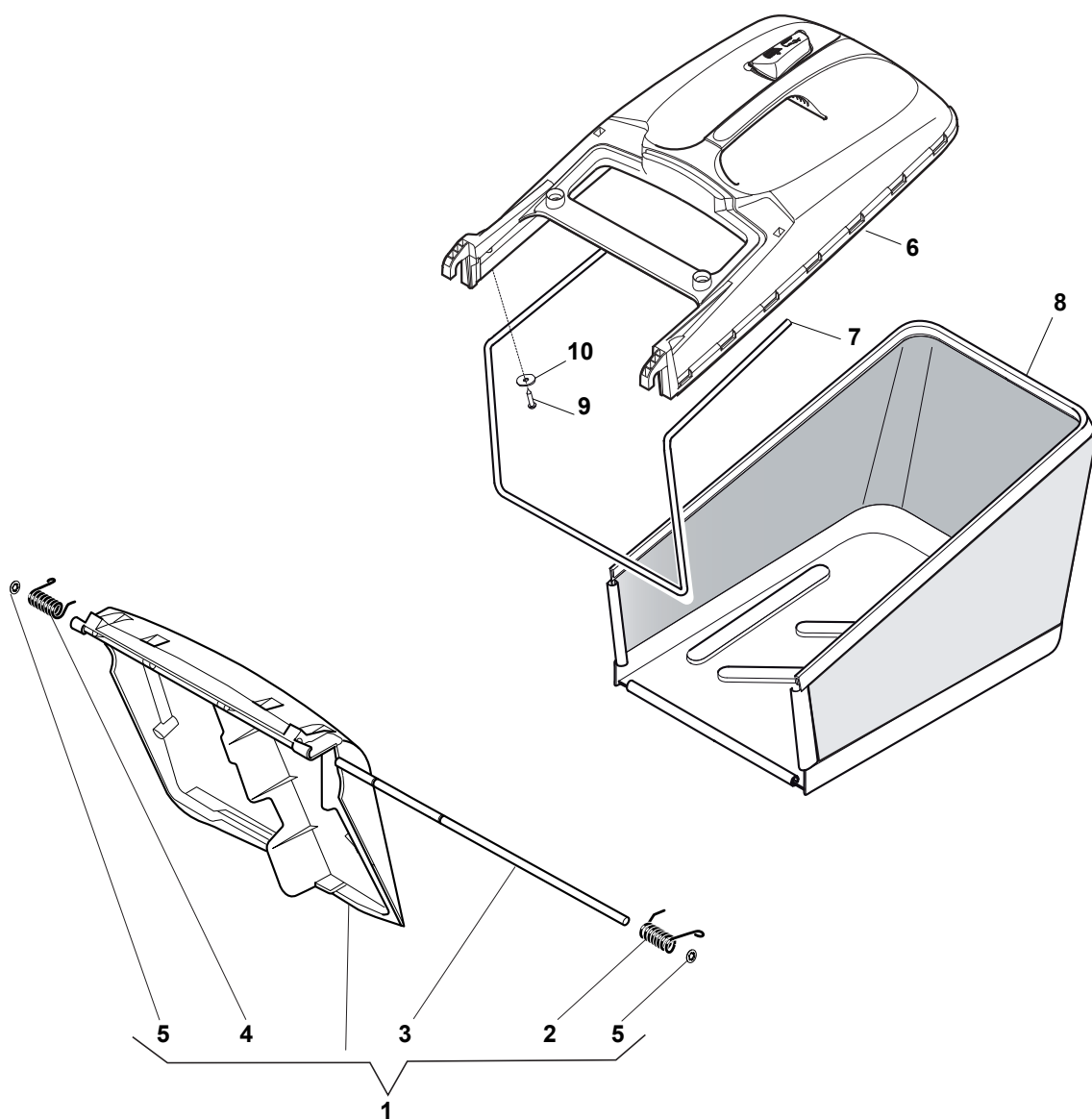
Utgåva Issue 40 - 2016		Remskydd Protection, Belt			
Pos. Fig.	Antal Q.ty	Art nr Part No	Benämning	Description	Anmärkning Notes
1	1	322291150/0	Gummihylsa	Rubber Insert	
2	1	322060197/3	Remskydd	Belt Protection	
3	3	112728531/0	Skruv	Screw	
4	1	122140222/0	Mulcherinsats	Mulching Deflector	



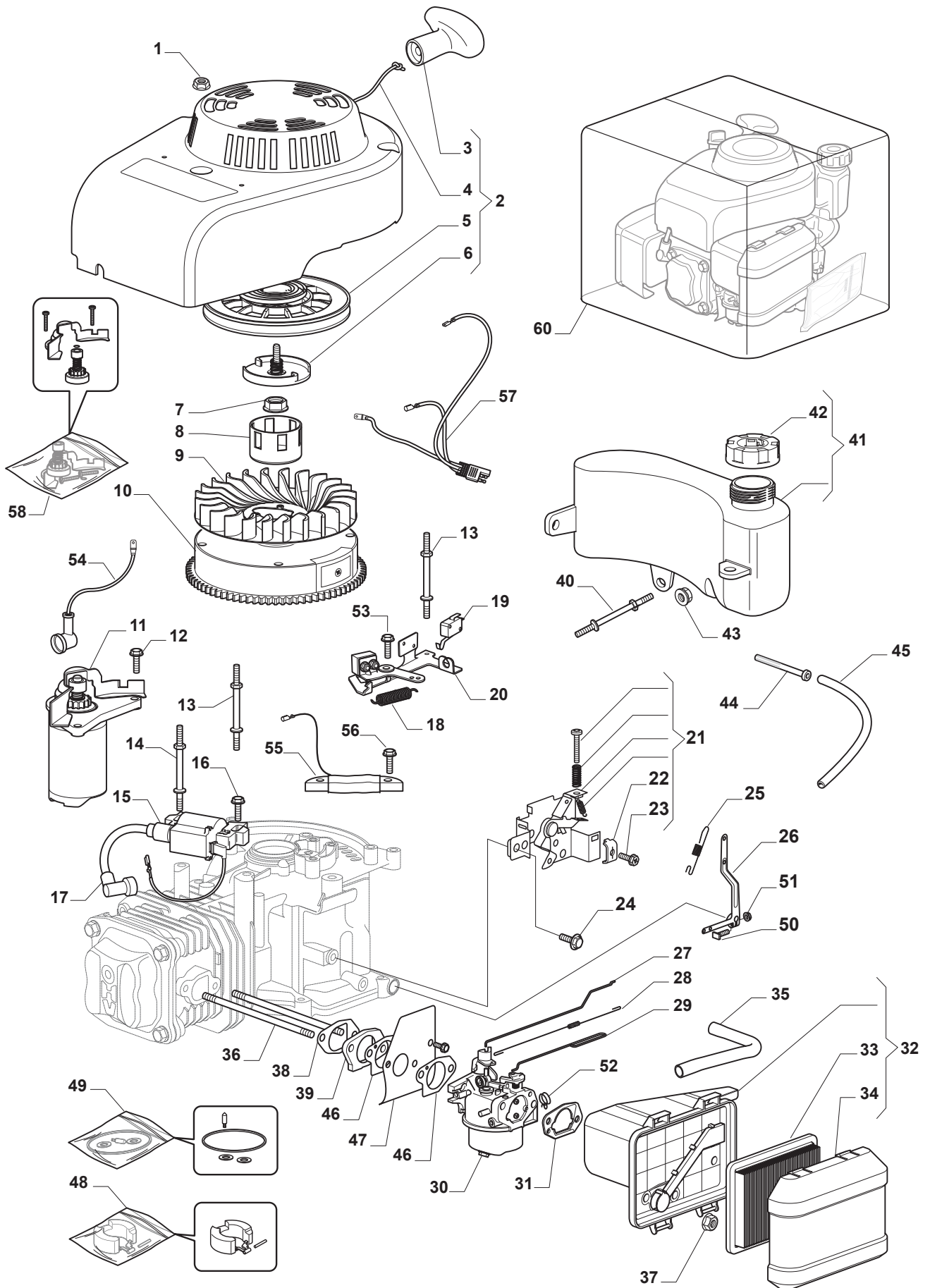
Utgåva Issue 40 - 2016		Utkastskydd Ejection-Guard			
Pos. Fig.	Antal Q.ty	Art nr Part No	Benämning	Description	Anmärkning Notes
1	1	322108295/1	Utkastskydd	Side Ejection Conveyor	
2	1	322600313/0	Utkastskydd	Ejection Guard	
3	2	112727803/0	Skruv	Screw	
4	1	322806639/0	Fäste	Fulcrum Pin	
5	2	112154510/0	Mutter	Nut	
6	2	118203853/0	Lock	Cap	
7	1	122450456/0	Fjäder	Spring	
8	1	122517869/1	Stift	Pin	
9	2	112604896/0	Starlock	Crown Fastener	



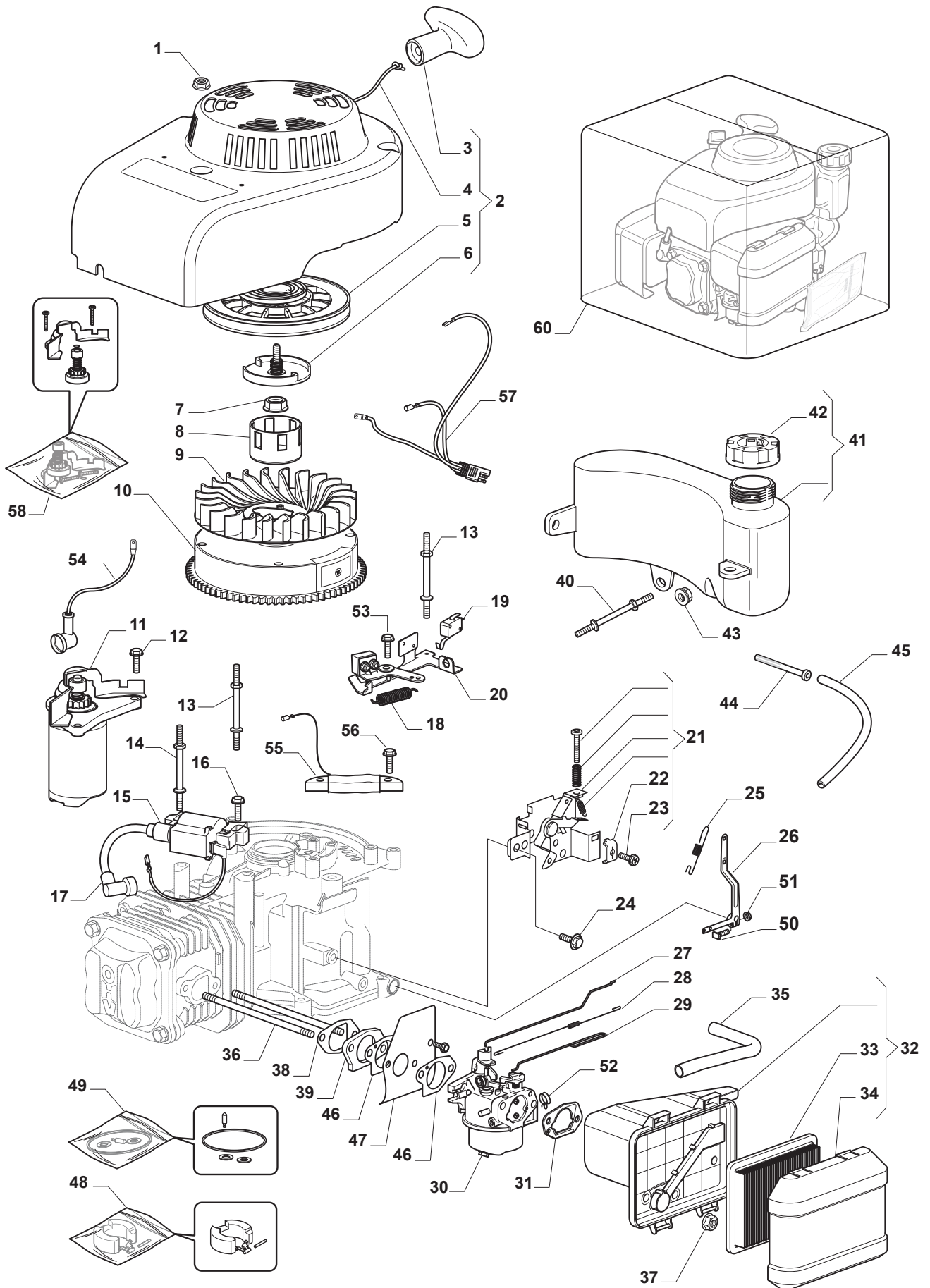
Utgåva Issue 40 - 2016		Kniv Blade			
Pos. Fig.	Antal Q.ty	Art nr Part No	Benämning	Description	Anmärkning Notes
1	3	112735108/1	Skruv	Screw	
2	1	122465607/3	Knivfäste D22,2	Hub With Pulley, Crankshaft Ø 22,2	
3	1	181004381/1	Kniv	Blade Standard	
4	1	122160400/0	Fjäderbricka	Elastic Disc	
5	1	112523080/0	Bricka	Washer	
6	1	112735698/0	Skruv	Screw	
7	1	112139100/0	Kil	Key	



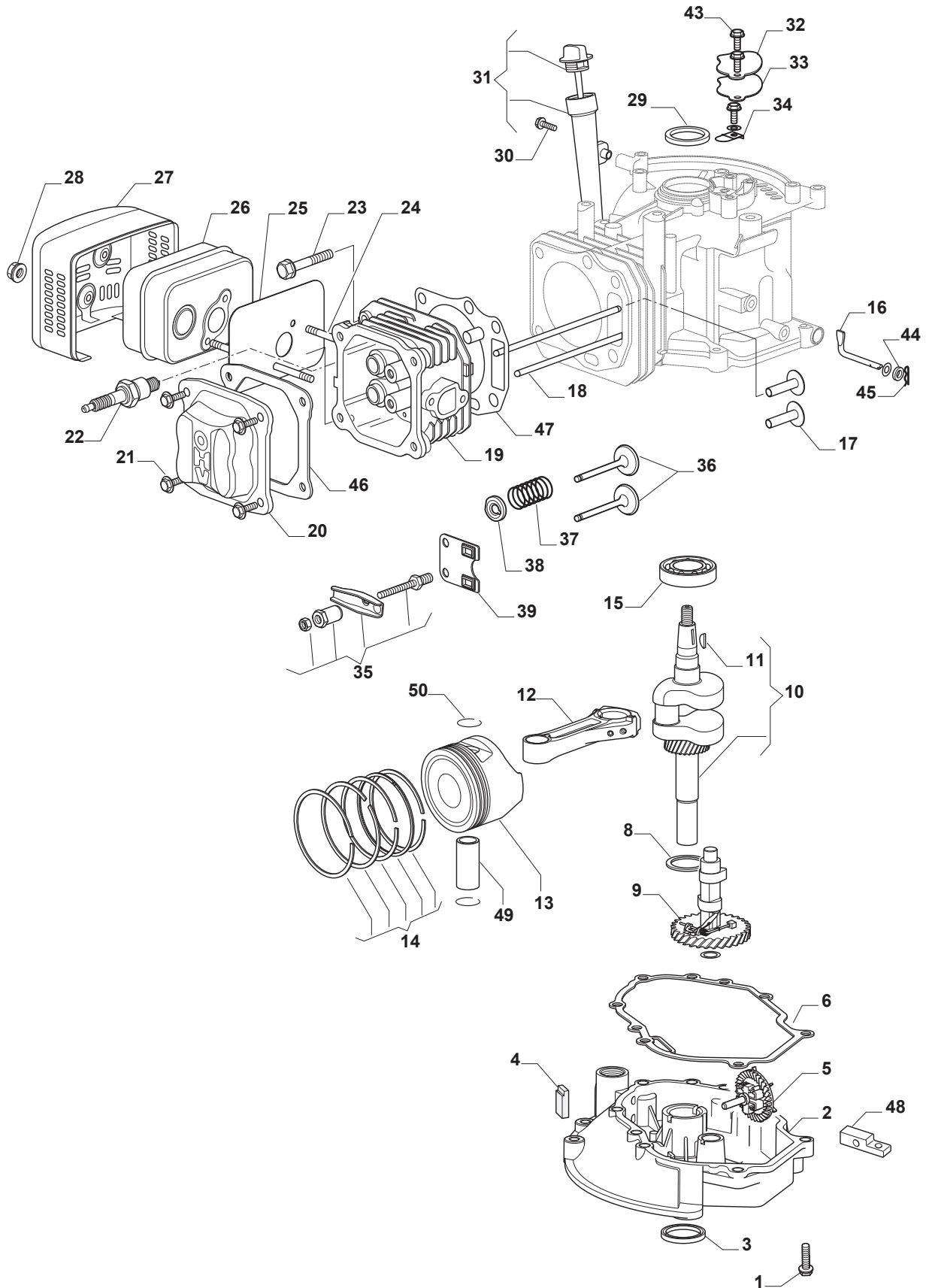
Utgåva Issue 40 - 2016		Gräsuppsamlare Grass-Catcher			
Pos. Fig.	Antal Q.ty	Art nr Part No	Benämning	Description	Anmärkning Notes
1	1	381008082/2	Lucka-gul	Stone Guard, Yellow	Yellow
2	1	122450466/0	Fjäder	Left Spring	
3	1	122517882/0	Stift	Pin	
4	1	122450465/0	Fjäder	Right Spring	
5	2	112604899/0	Starlock	Crown Fastener	
6	1	381486030/0	Uppsamlare-överdel	Grass-Box, Upper Part	Grey
7	1	122608525/1	Tradbygel	Stiffening Lower	
8	1	181002211/0	Uppsamlingsäck	Box, Fabric	
9	2	112728680/0	Skruv	Screw	
10	2	112523050/0	Bricka	Washer	



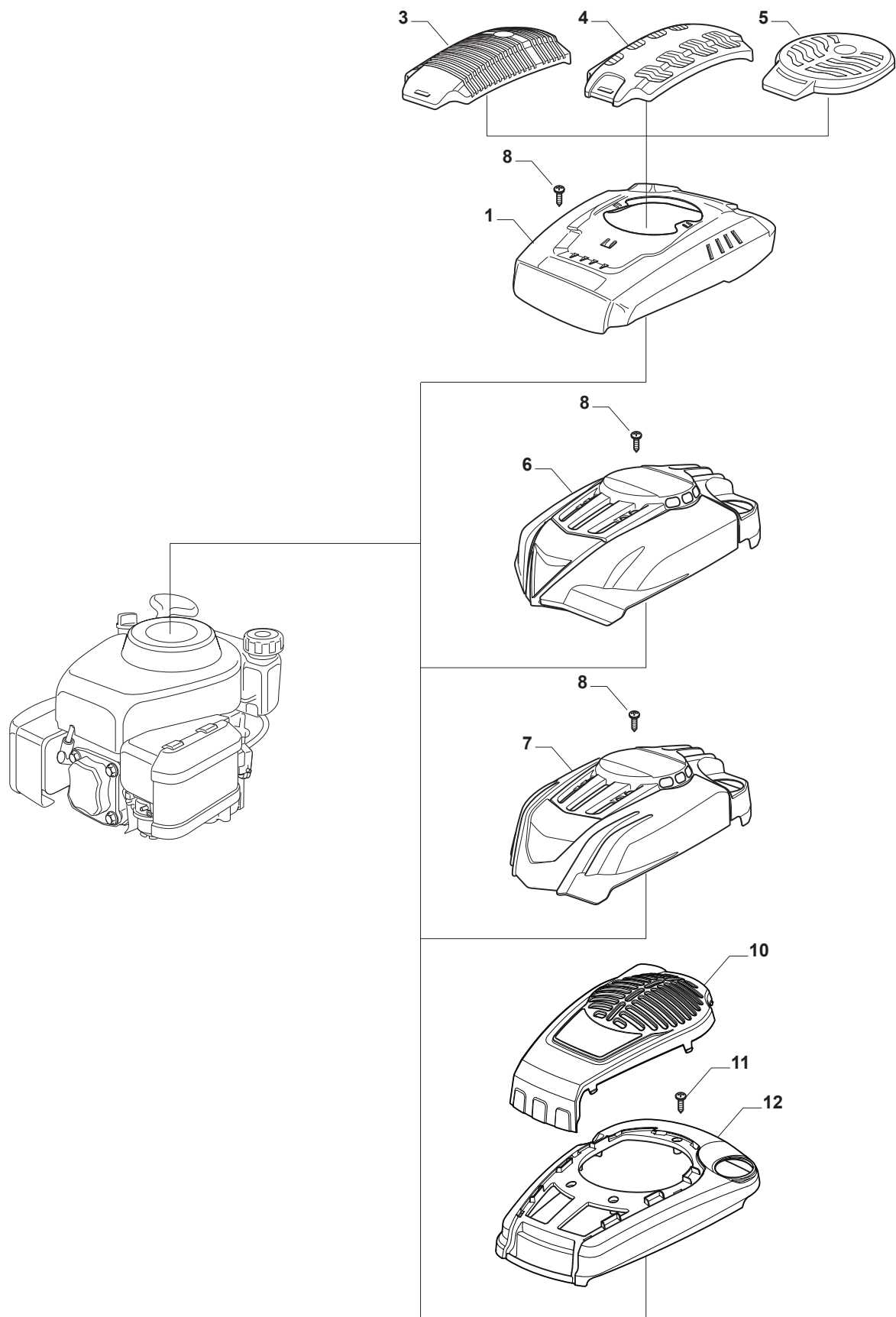
Utgåva Issue 40 - 2016		Motor - Förgasare Kpl, Bränsletank		Engine - Carburettor, Tank	
Pos. Fig.	Antal Q.ty	Art nr Part No	Benämning	Description	Anmärkning Notes
1	3	112292102/0	Mutter	Nut	
2	1	118550276/1	Start kpl	Starter Assy	
3	1	118550274/0	Starthandtag	Starter Handle	
4	1	118550779/0	Startsnöre	Starting Rope	
5	1	118550778/0	Remskiva, start kpl	Starter Pulley	
6	1	118550275/0	Startspärr	Starter Pawl Set	
7	1	118550336/0	Mutter	Nut	
8	1	118550335/0	Startkopp	Starter Cup	
9	1	118550254/0	Fläkt	Flywheel Fan	
10	1	118550392/1	Svänghjul kpl	Flywheel Ass.Y	
11	1	118550401/1	Start Motor	Start Motor Assy	
12	2	112674550/0	Skruv	Screw	
13	2	118550907/0	Stift	Pin	
14	1	118550301/0	Harnalssprintbult	Stud Bolt	
15	1	118550255/1	Elektronikspole	Electronic Coil	
16	1	112791500/0	Skruv	Screw	
17	1	118551274/0	Tändstiftshatt	Spark Plug Cap	
18	1	118551288/0	Fjäder	Spring	
19	1	118550400/0	Brytare	Micro	
20	1	118551206/0			
21	1	118550259/0	Reglageplatta Kpl	Remote Control Assy	
22	1	118550337/0	Wireklämma	Casing Clamp	
23	1	118550338/0	Skruv	Screw	
24	2	112791213/1	Skruv	Screw	
25	1	118550260/0	Fjäder	Spring	
26	1	118550266/0	Regulatorarm Kpl	Arm Governor Assy	
27	1	118550397/0	Regulatorstang	Governor Link	
28	1	118550263/0	Fjäder	Spring	
29	1	118550264/0	Chokereglagestang	Choke Control Rod	
30	1	118550390/0	Förgasare Kpl	Carburetor	
31	1	118550738/0	Luftfilterpackning	Air Filter Gasket	
32	1	118550737/0	Luftfilter kpl	Air Cleaner Assy	
33	1	118550257/0	Luftfilter	Air Filter	
34	1	118550739/0	Luftfilterkapa	Air Cleaner Cover	
35	1	118550377/0	Ventilations slang	Breather Fule Pipe	
36	2	118550930/0	Harnalssprintbult	Stud Bolt	
37	2	112292102/0	Mutter	Nut	
38	1	118550929/0	Packning	Gasket	
39	1	118550928/0	Packning	Insulator, Carburettor	
40	1	118550315/0	Harnalssprintbult	Stud Bolt	
41	1	118550316/1	Bränsletank	Fuel Tank	
42	1	118550943/0	Tanklock	Fuel Cap	
43	1	118550806/0	Mutter	Nut	
44	1	118550314/0	Bränslefilter	Fuel Filter	
45	1	118550340/0	Bränsleslang	Fuel Pipe	
46	2	118551264/0	Packning, Förgasare	Carburetor Gasket	
47	1	118551266/0	Packning, Förgasare	Carburetor Gasket	
48	1	118550388/0	Reparationssats Förgasare	Kit Repair, Carburettor	
49	1	118550743/0	Packningssats	Gasket Carburettor Assy	



Utgåva Issue 40 - 2016		Motor - Förgasare Kpl, Bränsletank		Engine - Carburettor, Tank	
Pos. Fig.	Antal Q.ty	Art nr Part No	Benämning	Description	Anmärkning Notes
50	1	118550805/0	Skruv	Screw	
51	1	118550806/0	Mutter	Nut	
52	2	118550918/0	Kabelhallare	Pipe Clip	
53	1	112791500/0	Skruv	Screw	
54	1	118550395/0	Kabel	Switch Wires	
55	1	118550420/0	Laddspole	Coil Assy, Charge	
56	2	112791500/0	Skruv	Screw	
57	1	118550393/0	Kabel	Switch Wires	
58	1	118550402/0	Reparationssats	Kit Repair	
60	1	118550411/0	Motor Kpl	Engine Assembled	



Utgåva Issue 40 - 2016		Motor - Kolv, Vevaxel		Engine - Piston, Crankshaft	
Pos. Fig.	Antal Q.ty	Art nr Part No	Benämning	Description	Anmärkning Notes
1	7	112674550/0	Skruv	Screw	
2	1	118551208/0	Vehusgavel kpl	Crankcase Cover	
3	1	118550379/0	Tätningring	Oil Seal	
4	1	118550775/0	Gummipackning	Grommet	
5	1	118550312/1	Regulator Kpl	Speed Governor Assy	
6	1	118550380/1	Vevhuspackning	Crankcase Gasket	
8	1	118550283/0	Bricka	Washer	
9	1	118550271/0	Kamaxel	Camshaft assy	
10	1	118550385/0	Vevaxel kpl	Crankshaft	
11	1	118550288/0	Woodruffkil	Woodruff Key	
12	1	118550284/0	Vevstake	Connecting Rod Assy	
13	1	118551213/0	Kolv	Piston	
14	1	118550286/0	Kolvringsatts	Piston, Ring Set	
15	1	118550280/0	Kullager	Ball Bearing	
16	1	118550936/0	Regulatoraxel	Shaft, Governor Arm	
17	2	118550291/0	Ventillyftare	Valve Lifter Assy	
18	2	118551251/0	Tryckstang	Push Rod	
19	1	118551212/0	Topplöck	Cylinder Head	
20	1	118550296/2	Ventilkapa	Cover Comp., Head	
21	4	118551277/0	Bult	Bolt	
22	1	9400-0244-00	Tändstift	Spark Plug	
23	4	118550297/0	Skruv	Screw	
24	2	118550298/0	Harnalssprintbult	Stud Bolt	
25	1	118550270/0	Ljuddämparpackning	Muffler Gasket	
26	1	118550269/0	Ljuddämpare	Muffler	
27	1	118550268/1	Ljuddämparskydd	Muffler Guard	
28	2	118550806/0	Mutter	Nut	
29	1	118550300/0	Tätningring	Oil Seal	
30	1	112674550/0	Skruv	Screw	
31	1	118550311/1	Oljesticka Kpl	Oil Filler Assy	
32	1	118551210/0	Cap,Breather Chamber	Cap,Breather Chamber	
33	1	118551211/0	Breather Chamber Gasket	Breather Chamber Gasket	
34	1	118550303/0	Plat	Plate	
35	1	118550273/0	Vipparmsatts	Valve Arm Set	
36	1	118550910/0	Insugningsventil + Utblåsning- sventil	Valve Assy, Intake + Exhaust	
37	2	118551300/0	Fjäder	Spring	
38	2	118550895/0	Hallare	Retainer	
39	1	118551253/0	Platta	Plate	
43	3	112790500/0	Skruv	Screw	
44	1	118550935/0	Tätningring	Oil Seal	
45	1	118550856/0	Lasnal	Cotter Pin	
46	1	118551237/0	Topplöckspackning	Cylinder head gasket	
47	1	118551233/0	Cylinderpackning	Cylinder Gasket	
48	1	118551269/0	Plat,Governor Holder	Plate,Governor Holder	
49	1	118550915/0	Kolvsprint	Piston Pin	
50	2	118550914/0	Bricka	Washer, Piston Pin	



Utgåva Issue 40 - 2016		Motor Kapa Engine Cover			
Pos. Fig.	Antal Q.ty	Art nr Part No	Benämning	Description	Anmärkning Notes
1	1	322055463/1	Kapa	Cover	
3	1	322055452/0	Kapa Svart	Cover, Black	
4	1	322055450/0	Kapa Svart	Cover, Black	
5	1	322055439/0	Kapa Svart	Cover, Black	
6	1	381002068/0	Kapa	Cover	
7	1	381002067/0	Kapa	Cover	
8	3	112728680/0	Skruv	Screw	
10	1	322055516/0	Motorkapa	Engine Cover	
11	3	112728099/1	Skruv	Screw	
12	1	322055517/0	Engine Base Cover, Yellow	Engine Base Cover, Yellow	
12	1	322055552/0	Engine Base Cover, Black	Engine Base Cover, Black	

code	pos.	q.ty	page
322108295/1	1	1	p. 21
322109530/0	5	1	p. 13
322110744/0	3	2	p. 17
322110746/0	5	2	p. 17
322120115/0	38	2	p. 3
322192156/0	13	1	p. 7
322226196/0	1	1	p. 5
322291150/0	1	1	p. 19
322393639/0	3	1	p. 5
322394503/0	6	1	p. 3
322394522/0	20	1	p. 3
322399835/0	7	4	p. 7
322545152/0	34	2	p. 3
322545204/0	7	1	p. 9
322600145/0	21	2	p. 3
322600208/0	27	2	p. 3
322600313/0	2	1	p. 21
322680009/0	13	1	p. 15
322680016/0	5	4	p. 7
322722800/0	8	1	p. 13
322722801/0	7	1	p. 13
322785123/0	3	1	p. 13
322785304/1	36	2	p. 3
322806639/0	4	1	p. 21
381002032/0	11	1	p. 3
381002067/0	7	1	p. 33
381002068/0	6	1	p. 33
381002887/1	16	1	p. 3
381003253/0	4	4	p. 7
381003398/0	3	1	p. 3
381003399/0	3	1	p. 3
381003452/0	14	1	p. 3
381004732/0	1	1	p. 3
381005185/0	2	1	p. 7
381005187/0	3	1	p. 7
381007416/2	2	4	p. 17
381007417/2	4	2	p. 17
381007539/0	1	1	p. 7
381007540/0	1	1	p. 9
381008082/2	1	1	p. 25
381030092/1	10	1	p. 9
381103350/0	14	2	p. 7
381302835/1	31	1	p. 3
381486030/0	6	1	p. 25
181030053/0	6	1	p. 9