



## **Reservdelskatalog Parts Catalogue**

# **COMBI 50 S AE**

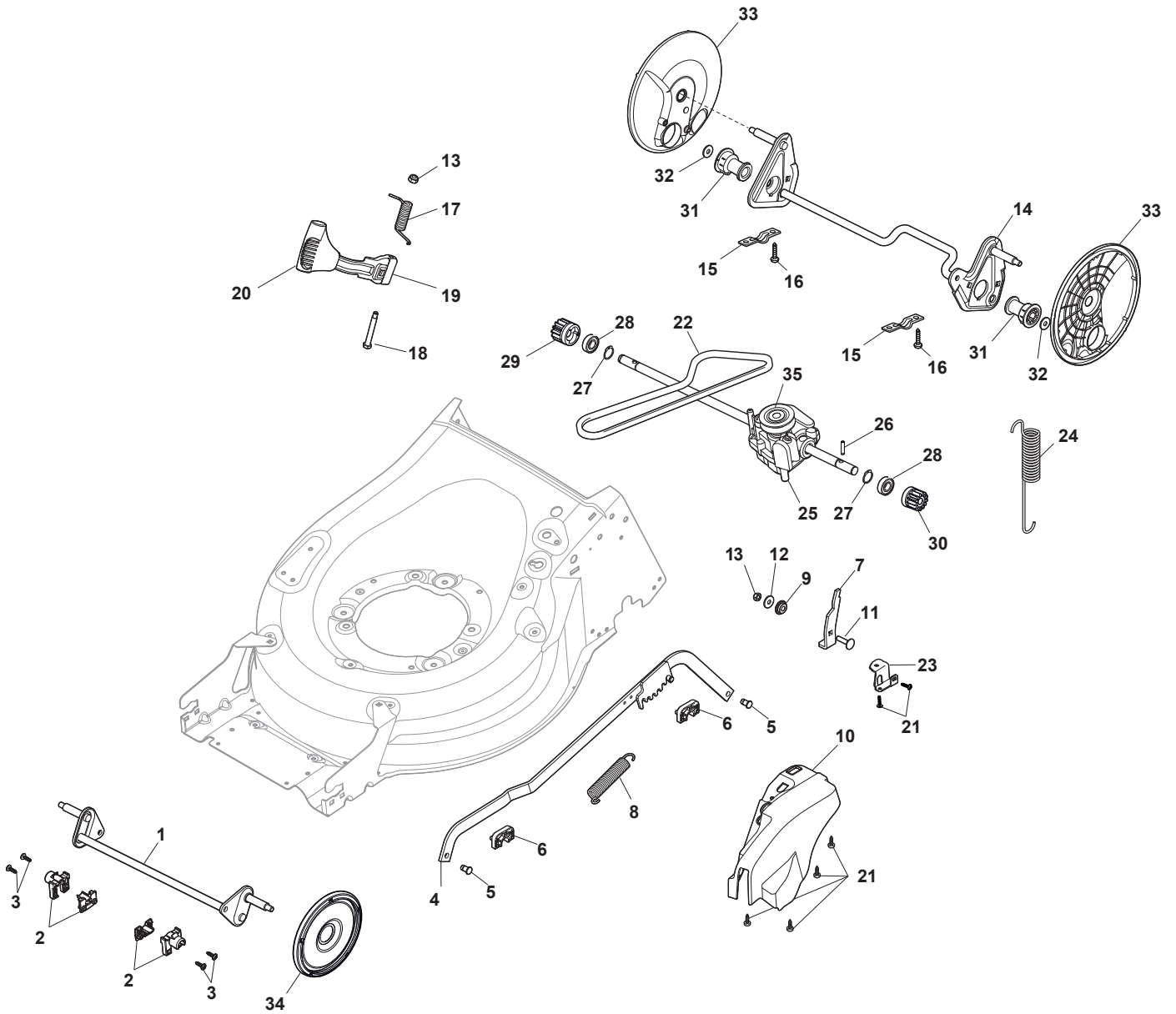
**294506008/S17 - Season 2017**

- Use GLOBAL GARDEN PRODUCT Genuine Spare Parts specified in the parts list for repair and/or replacement.
  - The contents described in the parts list may change due to improvement.
  - The drawings of the spare parts are only indicative and might not represent the part in question exactly.
  - The indications "right" - "left" - "front" - "rear" refer to the position of the operator when using the machine.
- When placing orders of parts for repair and/or replacement, make sure that the illustrated parts list is the one applying to the machine's year of manufacture, as shown on the identification plate attached to the machine.

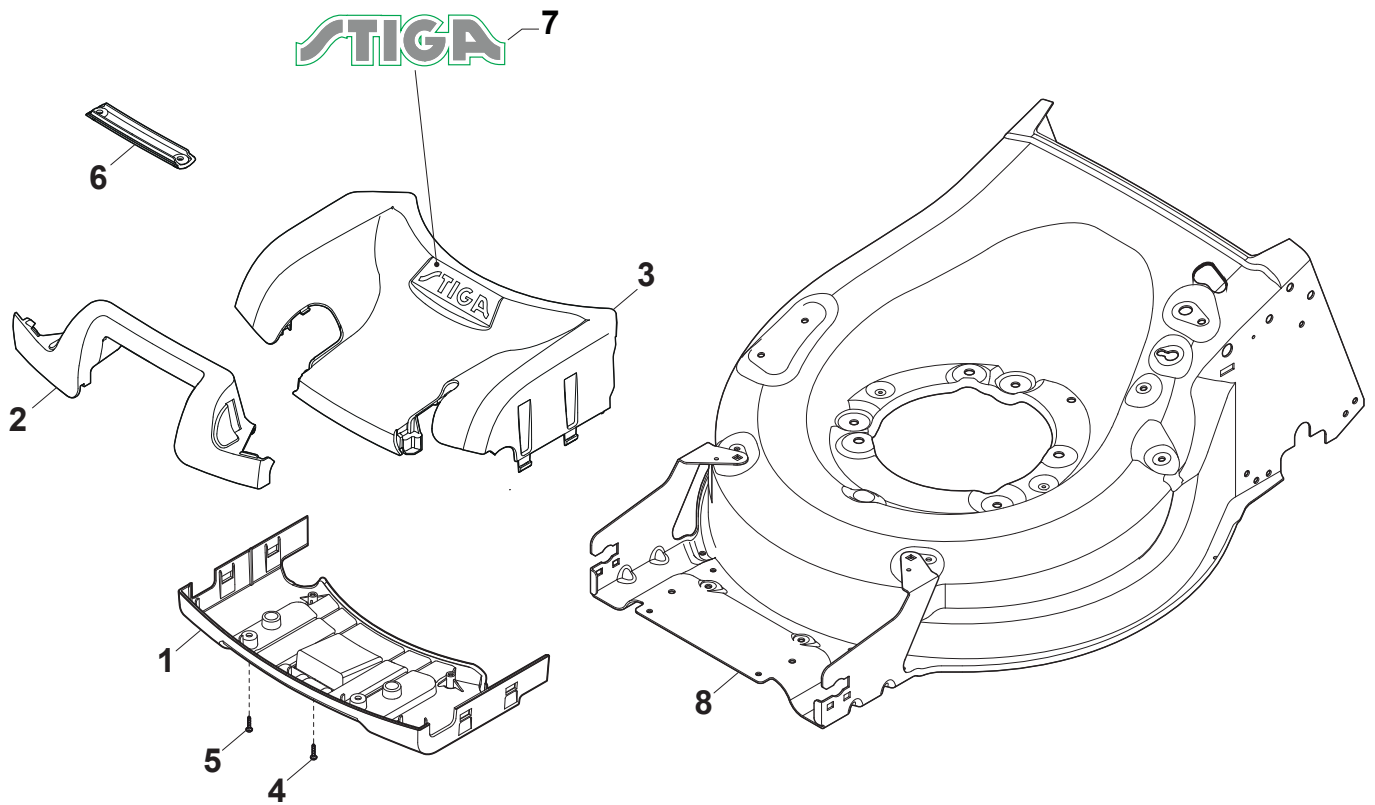
© Copyright 2017 Global Garden Products

All rights reserved. No part of this material may be reproduced or transmitted, in any form or by any means, electronic or mechanical, including photocopying, recording or by any information storage and retrieval system, without permission in writing from GLOBAL GARDEN PRODUCTS.

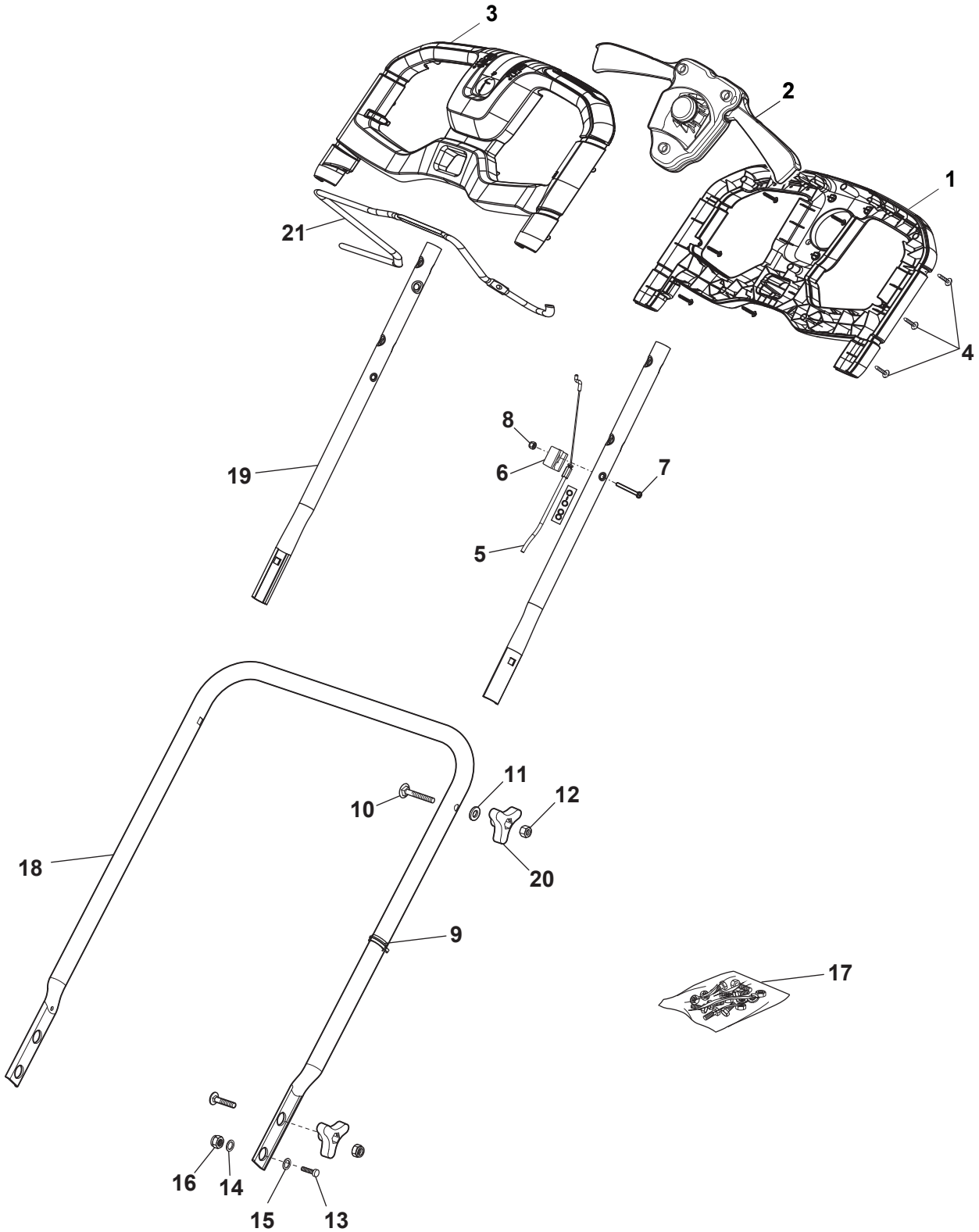
[www.stiga.com](http://www.stiga.com)



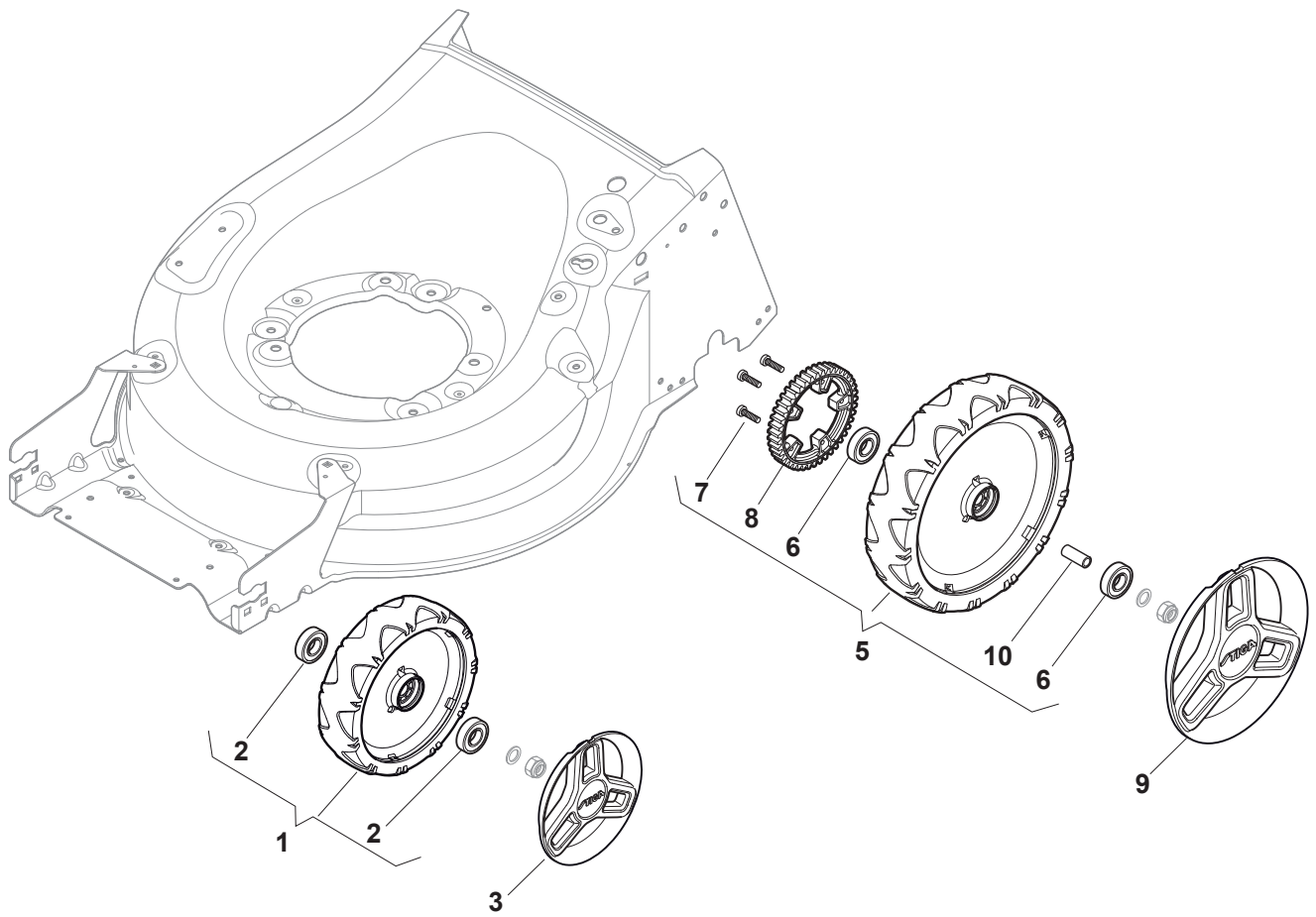
Utgåva Issue 41 - 2016		Kapa och höjdställning		Deck And Height Adjusting	
Pos. Fig.	Antal Q.ty	Art nr Part No	Benämning	Description	Anmärkning Notes
1	1	381302913/0	Hjulaxel	Axle	Only for model with Stiga Frontal and wheels D180/240 with lever height adjustment
2	2	322785305/1	Stöd	Support	
3	4	112728697/0	Skruv	Screw	
4	1	322869695/0	Höjdställningsspak	Wheels Control Rod	
5	2	122519820/0	Stift	Pin	
6	2	112436051/0	Plat	Plate	
7	1	322778475/0	Fäste	Bracket	
8	1	122450480/0	Fjäder	Spring	
9	1	122517873/0	Stift	Pin	
10	1	322055329/0	Lock	Cover	
11	1	112815270/0	Skruv	Screw	
12	1	112523040/0	Bricka	Washer	
13	2	112154510/0	Mutter	Nut	
14	1	381302895/0	Hjulaxel-bakre	Rear Wheel Axle	
15	2	322545152/0	Plat	Plate	
16	4	112728697/0	Skruv	Screw	
17	1	122446192/0	Fjäder	Spring	
18	1	122534131/0	Stift	Pin	
19	1	322322855/0	Kontrollspak	Wheels Adjusting Lever	
20	1	322394527/0	Handtagsknopp	Knob	Black with Stiga Logo
21	5	112728699/0	Skruv	Screw	
22	1	135063900/0	Drivrem	Belt	
23	1	322778473/0	Fäste	Bracket	
24	1	122450478/0	Fjäder	Spring	
25	1	181003115/0	Växellada kpl	Gear Box	
26	2	122753000/0	Spännstift	Pin	
27	4	112608600/0	Segersäkring	Seeger	
28	2	119216035/0	Lager	Bearing	
29	1	122570110/1	Drev	Pinion Right	
30	1	122570120/1	Drev	Pinion Left	
31	2	322042066/0	Bussning	Bushing	
32	2	112521371/0	Bricka	Washer	
33	2	322600205/1	Hjulskydd	Protection, Wheel	
34	2	322600247/0	Hjulskydd	Protection, Wheel	
35	1	122601909/0	Remskiva	Pulley	



Utgåva Issue 41 - 2016		Mask			
Pos. Fig.	Antal Q.ty	Art nr Part No	Benämning	Description	Anmärkning Notes
1	1	322500111/0	Luftintag	Front Combi	
2	1	381393703/0	Handtag	Handle	
3	1	322226240/0	Frontkapa, Gra	Mask, Grey	
4	2	112735654/0	Skruv	Screw	
5	2	112728697/0	Skruv	Screw	
6	1	322393756/0	Handtag-Främre	Front Handle	
7	1	114367494/2	Dekal STIGA logo	Label STIGA logo	
8	1	381004838/0	Chassi-Grå	Grey Deck	

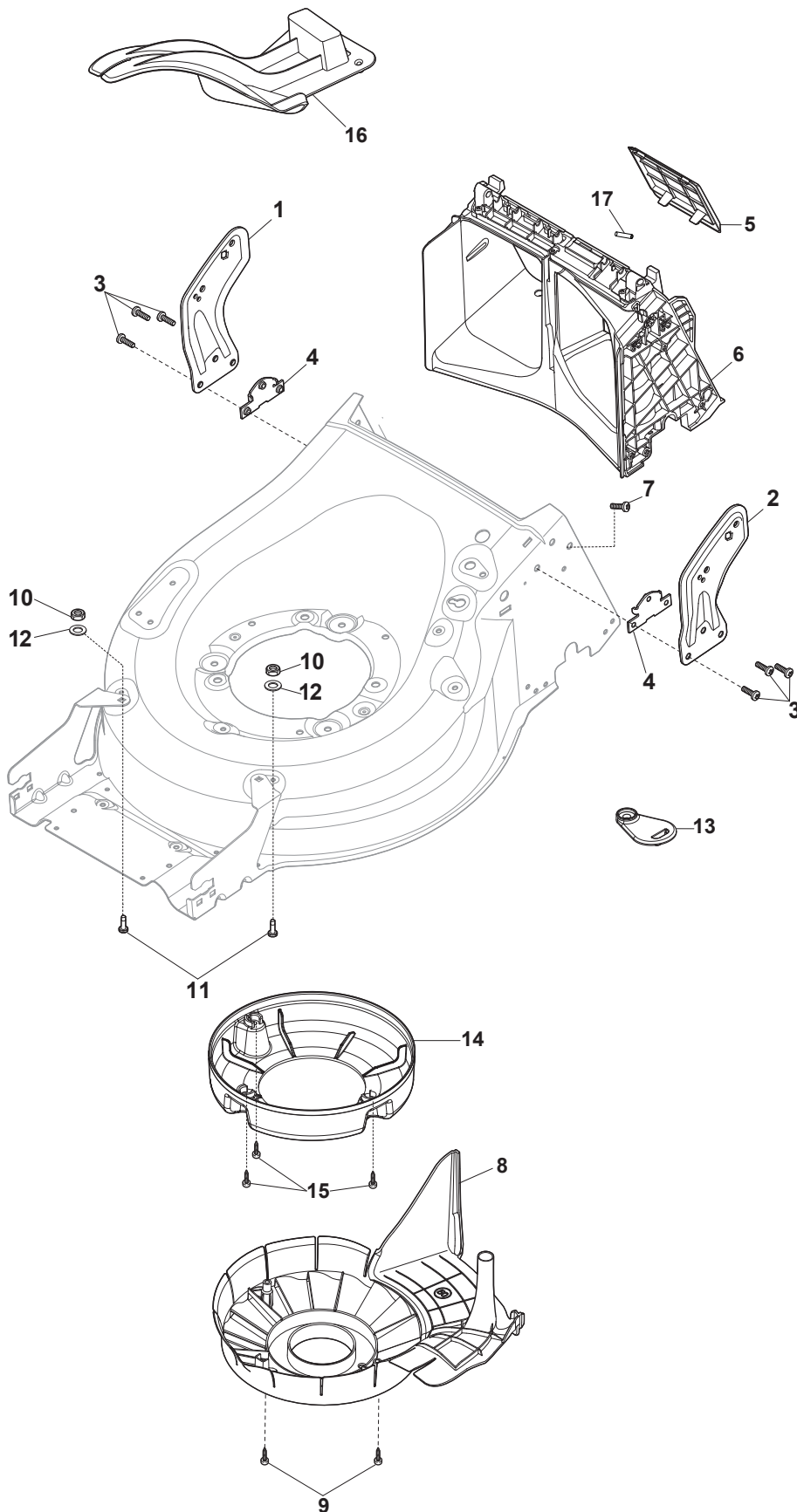


Utgåva Issue 41 - 2016		Reglage		Handle	
Pos. Fig.	Antal Q.ty	Art nr Part No	Benämning	Description	Anmärkning Notes
1	1	322291075/0	Handtagshalva, övre brytare	Upper Half Handgrip Switch	
2	1	381600557/0	Manöverdosa	Dead Hand Switch	
3	1	322291074/0	Handtagshalva, övre brytare	Lower Half Handgrip Switch	
4	11	112728711/0	Skruv	Screw	
5	1	381030124/0	Kopplingswire	Cable Rear Drive	
6	1	322551640/0	Plat	Plate	
7	1	112727783/0	Skruv	Screw	
8	1	112154510/0	Mutter	Nut	
9	2	122192000/1	Kabelhallare	Clamp	
10	2	112819110/0	Skruv	Screw	
11	4	122671651/0	Bricka	Washer	
12	2	112293200/0	Mutter	Nut	
13	2	112760605/0	Skruv	Screw	
14	2	112521350/0	Bricka	Washer	
15	2	112369500/0	Bricka	Elastic Washer	
16	2	112155000/0	Mutter	Nut	
17	1	381008730/0	Skruvs Outfit	Outfit	Black
18	2	381007538/0	Reglage, nedre Gul	Handle, Lower Part Yellow	Yellow
19	1	381007576/0	Handtag, övre	Handle, Upper Part	Yellow
20	4	122399900/0	Knopp	Knob	Black
21	1	181003439/0	Spak Handtag	Drive Control Lever	

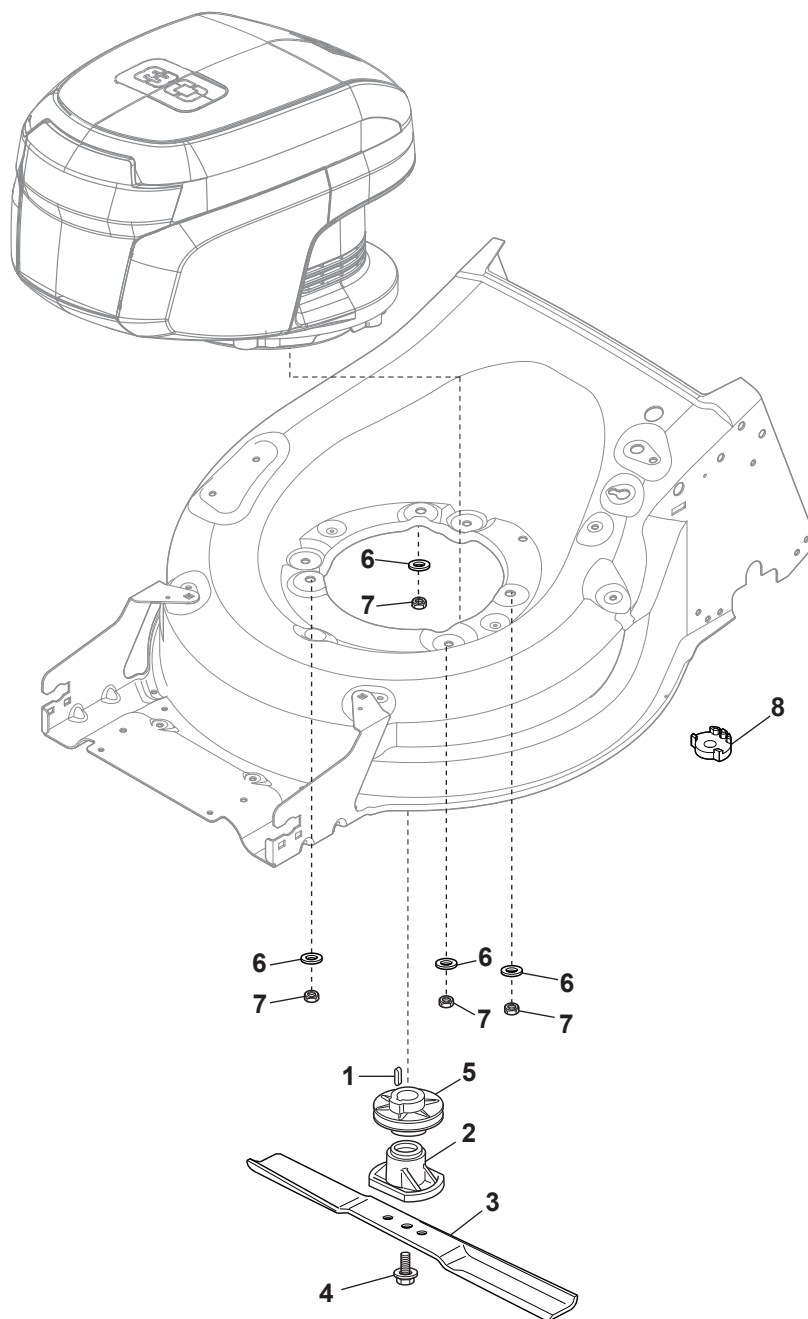




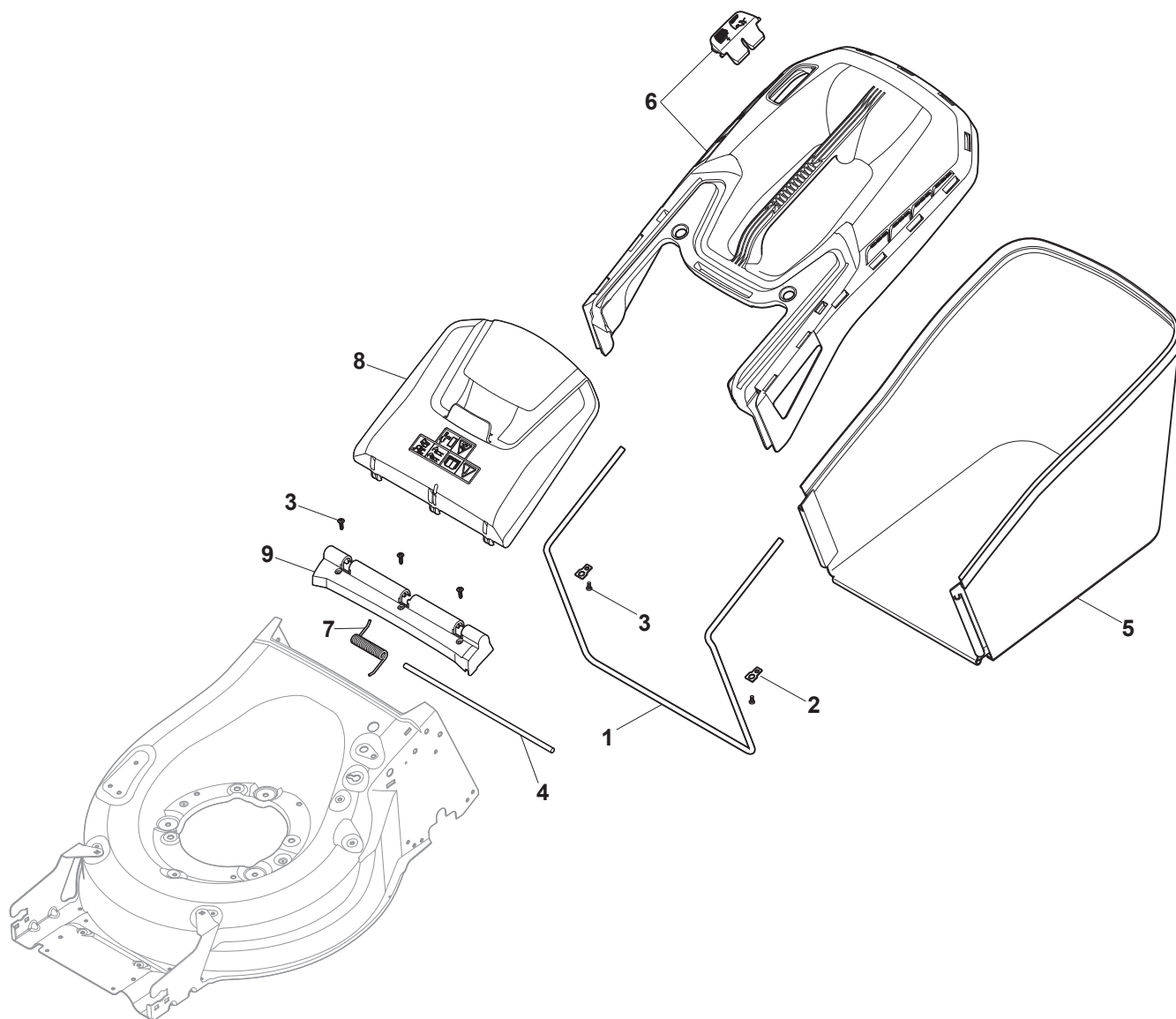
Utgåva Issue 41 - 2016		Hjul och navkapsel Wheels and Hub Caps			
Pos. Fig.	Antal Q.ty	Art nr Part No	Benämning	Description	Anmärkning Notes
1	2	381007455/1	Hjul - Short Hub	Wheel - Short Hub	
2	4	119216035/0	Lager	Bearing	
3	2	322110744/0	Navkapsel Gra	Hub Cap Grey	
5	2	381007467/1	Hjul	Wheel	
6	4	119216035/0	Lager	Bearing	
7	6	112728706/0	Skruv	Screw	
8	2	322120117/0	Hjuls Crown	Wheels Crown	
9	2	322110745/0	Navkapsel Gra	Hub Cap Grey	
10	2	122170848/0	Distans	Spacer	



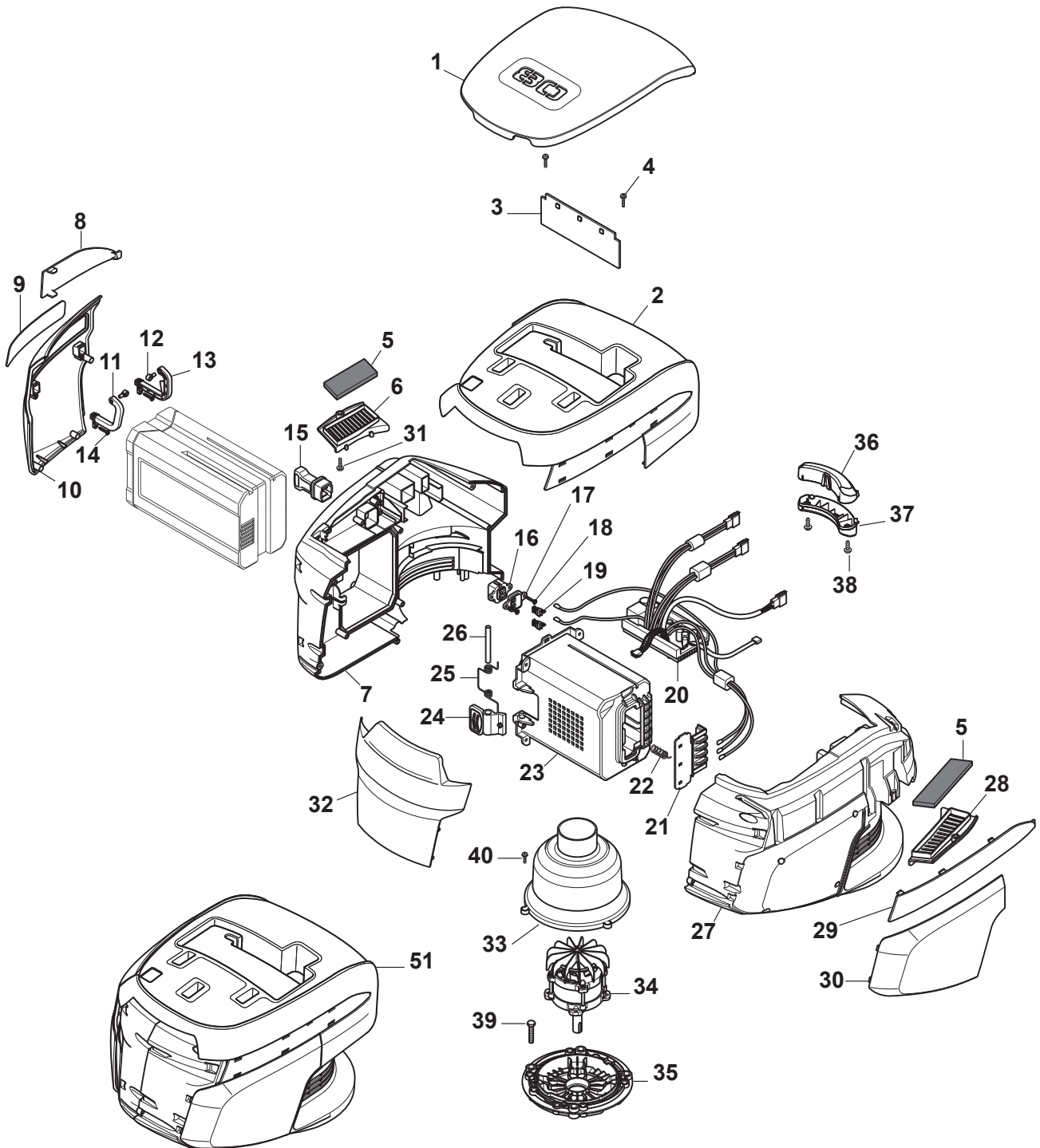
Utgåva Issue 41 - 2016		Remskydd Protection, Belt			
Pos. Fig.	Antal Q.ty	Art nr Part No	Benämning	Description	Anmärkning Notes
1	1	381005235/0	Fäste-Hö	Bracket-Rh	Grey
2	1	381005237/0	Fäste-Vä	Bracket-Lh	Grey
3	6	112727801/0	Skruv	Screw	
4	2	322545213/0	Plåt	Plate	
5	1	322600310/0	Rear door	Rear door	Not for TR/E models
6	1	322108316/0	Conveyor	Conveyor	
7	6	112728699/0	Skruv	Screw	
8	1	322060270/1	Mulchingplugg	Carter Mulching	
9	2	112735645/0	Skruv	Screw	
10	2	112154510/0	Mutter	Nut	
11	2	112815205/0	Skruv	Screw	
12	2	112521330/0	Bricka	Washer	
13	1	322820087/0	Plugg	Cap	Only for Models 50cm
14	1	322055345/0	Conveyor	Conveyor	Only for Models 50cm
15	3	112728697/0	Skruv	Screw	Only for Models 50cm
16	1	322140245/0	Deflektor	Deflector	
17	1	112645708/0	Stift	Pin	



Utgåva Issue 41 - 2016		Kniv Blade			
Pos. Fig.	Antal Q.ty	Art nr Part No	Benämning	Description	Anmärkning Notes
1	1	112139440/0	Kil	Key	
2	1	322463189/0	Knivfäste Ø 17	Hub Ø 17	
3	1	181004366/2	Kniv	Blade	
4	1	381004352/1	Skruv	Screw	
5	1	322601911/2	Remskiva	Pulley	
6	4	112583500/0	Lasbricka	Grower	
7	4	112293200/0	Mutter	Nut	
8	1	322171009/0	Distans	Spacer	



Utgåva Issue 41 - 2016		Gräsuppsamlare Grass-Catcher			
Pos. Fig.	Antal Q.ty	Art nr Part No	Benämning	Description	Anmärkning Notes
1	1	181006411/0	Säckram	Fabric Box Frame	
2	2	322557177/0	Plat	Plate	
3	5	112728697/0	Skruv	Screw	
4	1	122517884/0	Stift	Pin	
5	1	181102349/0	Uppsamlingsbox	Cancas GrassCatcher	
6	1	381486039/0	Uppsamlare, övre	Box, Upper Side	with indicator
7	1	122450479/0	Fjäder	Spring	
8	1	322600339/0	Lucka - gul	Stone Guard, Yellow	
9	1	322109584/0	Stenskydd Supp. Gul	Yellow Stone Guard Support	





Utgåva Issue 41 - 2016		Batterimotor		Battery Motor Ass.y	
Pos. Fig.	Antal Q.ty	Art nr Part No	Benämning	Description	Anmärkning Notes
1	1	322109969/0A	Upper Cover	Upper Cover	
2	1	322109952/0	Kapa, Gul	Cover, Yellow	
3	1	118206007/0	Elektronikkort	Electronic Card	
4	2	112728099/1	Skruv	Screw	
5	2	118401009/0	Luftfilter	Air Filter	
6	1	322109955/0	Luftrenarlock	Air Cleaner Cover	
7	1	322055336/0	Höger Hus	Right housing	
8	1	322109958/0	Kåpa	Right Side Cover	
9	1	322109961/0	Kapa	Cover	
10	1	322109953/0	BatteriKapa, Gul	Battery Cover, Yellow	
11	1	322109971/0	Hävarm	Lever	
12	2	322524357/0	Stift	Fulcrum Pin	
13	1	322109972/0	Hävarm	Lever	
14	2	112728099/1	Skruv	Screw	
15	1	322076571/0	Batterisäkerhetsnyckel	Battery Safety Key	
16	1	322722828/0	Fäste	Holder	
17	1	322109975/0	Kapa	Cover	
18	2	112728099/1	Skruv	Screw	
19	2	118810272/0	Honkontakt Faston	Female connector Faston	
20	1	118206005/0	Elektronikkort	Electronic Card	
21	1	118810277/0	Batteribyggel	Battery Clamp	
22	1	118810276/0	Fjäder	Spring	
23	1	322109970/0	Batterilada	Batterybox	
24	1	118810273/0	Hävarm	Lever	
25	1	118810275/0	Fjäder	Spring	
26	1	118810274/0	Stift	Pin	
27	1	322055337/0	Vänster, Hus	Left housing	
28	1	322109956/0	Luftrenarlock	Air Cleaner Cover	
29	1	322109959/0	Sidoskydd	Left Side Cover	
30	1	322109954/0	Kapa-Gul	Cover, Yellow	
31	2	112728099/1	Skruv	Screw	
32	1	322109957/0	Fram Skal	Front Cover	
33	1	322108321/0	Motorhuv	End Cover	
34	1	118563517/0	Elmotor	Electric Motor	
35	1	322207232/0	Fläns	Electrical Motor Flange	
36	1	322722834/0	Skydd-Övre	Upper Guard	
37	1	322722833/0	Spolskydd	Lower Guard	
38	2	112728706/0	Skruv	Screw	
39	4	112691100/0	Skruv	Screw	
40	3	112728099/1	Skruv	Screw	
51	1	381270001/0	Engine Battey Group PowerHead Stiga	Engine Battey Group PowerHead Stiga	Until 02.04.2017 use the old version of Powerhead without new Red Indicator

code	pos.	q.ty	page										
112139440/0	1	1	p. 13	122570120/1	30	1	p. 3	381004838/0	8	1	p. 5		
112154510/0	8	1	p. 7	122601909/0	35	1	p. 3	381005235/0	1	1	p. 11		
112154510/0	10	2	p. 11	122671651/0	11	4	p. 7	381005237/0	2	1	p. 11		
112154510/0	13	2	p. 3	122753000/0	26	2	p. 3	381007455/1	1	2	p. 9		
112155000/0	16	2	p. 7	135063900/0	22	1	p. 3	381007467/1	5	2	p. 9		
112293200/0	7	4	p. 13	181003115/0	25	1	p. 3	381007538/0	18	2	p. 7		
112293200/0	12	2	p. 7	181003439/0	21	1	p. 7	381007576/0	19	1	p. 7		
112369500/0	15	2	p. 7	181004366/2	3	1	p. 13	381008730/0	17	1	p. 7		
112436051/0	6	2	p. 3	181006411/0	1	1	p. 15	381030124/0	5	1	p. 7		
112521330/0	12	2	p. 11	181102349/0	5	1	p. 15	381270001/0	51	1	p. 17		
112521350/0	14	2	p. 7	322042066/0	31	2	p. 3	381302895/0	14	1	p. 3		
112521371/0	32	2	p. 3	322055329/0	10	1	p. 3	381302913/0	1	1	p. 3		
112523040/0	12	1	p. 3	322055336/0	7	1	p. 17	381393703/0	2	1	p. 5		
112583500/0	6	4	p. 13	322055337/0	27	1	p. 17	381486039/0	6	1	p. 15		
112608600/0	27	4	p. 3	322055345/0	14	1	p. 11	381600557/0	2	1	p. 7		
112645708/0	17	1	p. 11	322060270/1	8	1	p. 11						
112691100/0	39	4	p. 17	322076571/0	15	1	p. 17						
112727783/0	7	1	p. 7	322108316/0	6	1	p. 11						
112727801/0	3	6	p. 11	322108321/0	33	1	p. 17						
112728099/1	4	2	p. 17	322109584/0	9	1	p. 15						
112728099/1	14	2	p. 17	322109952/0	2	1	p. 17						
112728099/1	18	2	p. 17	322109953/0	10	1	p. 17						
112728099/1	31	2	p. 17	322109954/0	30	1	p. 17						
112728099/1	40	3	p. 17	322109955/0	6	1	p. 17						
112728697/0	3	4	p. 3	322109956/0	28	1	p. 17						
112728697/0	3	5	p. 15	322109957/0	32	1	p. 17						
112728697/0	5	2	p. 5	322109958/0	8	1	p. 17						
112735645/0	9	2	p. 11	322109959/0	29	1	p. 17						
112728697/0	15	3	p. 11	322109961/0	9	1	p. 17						
112728697/0	16	4	p. 3	322109969/OA	1	1	p. 17						
112728699/0	7	6	p. 11	322109970/0	23	1	p. 17						
112728699/0	21	5	p. 3	322109971/0	11	1	p. 17						
112728706/0	7	6	p. 9	322109972/0	13	1	p. 17						
112728706/0	38	2	p. 17	322109975/0	17	1	p. 17						
112728711/0	4	11	p. 7	322110744/0	3	2	p. 9						
112735654/0	4	2	p. 5	322110745/0	9	2	p. 9						
112760605/0	13	2	p. 7	322120117/0	8	2	p. 9						
112815205/0	11	2	p. 11	322140245/0	16	1	p. 11						
112815270/0	11	1	p. 3	322171009/0	8	1	p. 13						
112819110/0	10	2	p. 7	322207232/0	35	1	p. 17						
114367494/2	7	1	p. 5	322226240/0	3	1	p. 5						
118206005/0	20	1	p. 17	322291074/0	3	1	p. 7						
118206007/0	3	1	p. 17	322291075/0	1	1	p. 7						
118401009/0	5	2	p. 17	322322855/0	19	1	p. 3						
118563517/0	34	1	p. 17	322393756/0	6	1	p. 5						
118810272/0	19	2	p. 17	322394527/0	20	1	p. 3						
118810273/0	24	1	p. 17	322463189/0	2	1	p. 13						
118810274/0	26	1	p. 17	322500111/0	1	1	p. 5						
118810275/0	25	1	p. 17	322524357/0	12	2	p. 17						
118810276/0	22	1	p. 17	322545152/0	15	2	p. 3						
118810277/0	21	1	p. 17	322545213/0	4	2	p. 11						
119216035/0	2	4	p. 9	322551640/0	6	1	p. 7						
119216035/0	6	4	p. 9	322557177/0	2	2	p. 15						
119216035/0	28	2	p. 3	322600205/1	33	2	p. 3						
122170848/0	10	2	p. 9	322600247/0	34	2	p. 3						
122192000/1	9	2	p. 7	322600310/0	5	1	p. 11						
122399900/0	20	4	p. 7	322600339/0	8	1	p. 15						
122446192/0	17	1	p. 3	322601911/2	5	1	p. 13						
122450478/0	24	1	p. 3	322722828/0	16	1	p. 17						
122450479/0	7	1	p. 15	322722833/0	37	1	p. 17						
122450480/0	8	1	p. 3	322722834/0	36	1	p. 17						
122517873/0	9	1	p. 3	322778473/0	23	1	p. 3						
122517884/0	4	1	p. 15	322778475/0	7	1	p. 3						
122519820/0	5	2	p. 3	322785305/1	2	2	p. 3						
122534131/0	18	1	p. 3	322820087/0	13	1	p. 11						
122570110/1	29	1	p. 3	322869695/0	4	1	p. 3						
				381004352/1	4	1	p. 13						