



## **Reservdelskatalog Parts Catalogue**

# **COLLECTOR 46 S**

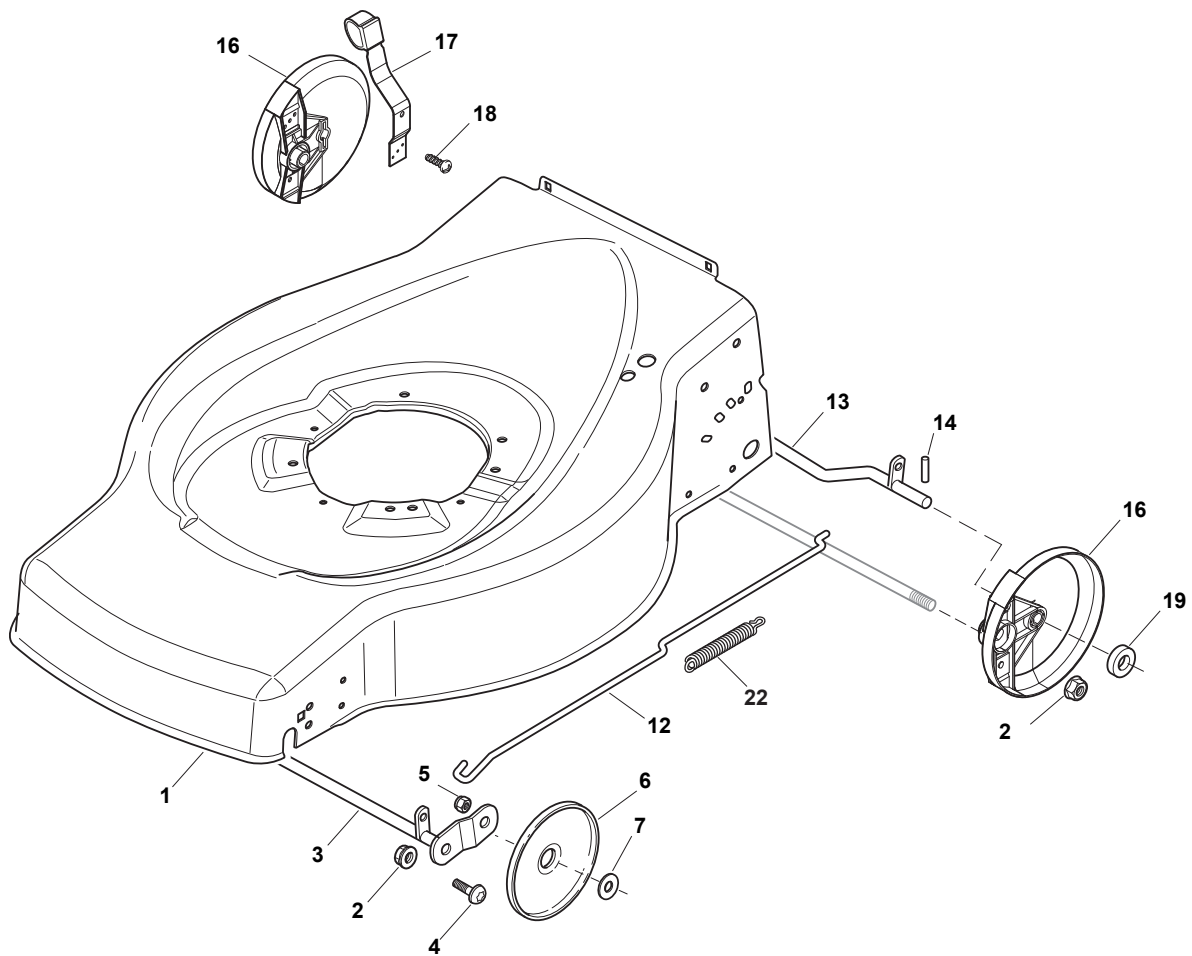
**299274648/S14 - Season 2017**

- Use GLOBAL GARDEN PRODUCT Genuine Spare Parts specified in the parts list for repair and/or replacement.
  - The contents described in the parts list may change due to improvement.
  - The drawings of the spare parts are only indicative and might not represent the part in question exactly.
  - The indications "right" - "left" - "front" - "rear" refer to the position of the operator when using the machine.
- When placing orders of parts for repair and/or replacement, make sure that the illustrated parts list is the one applying to the machine's year of manufacture, as shown on the identification plate attached to the machine.

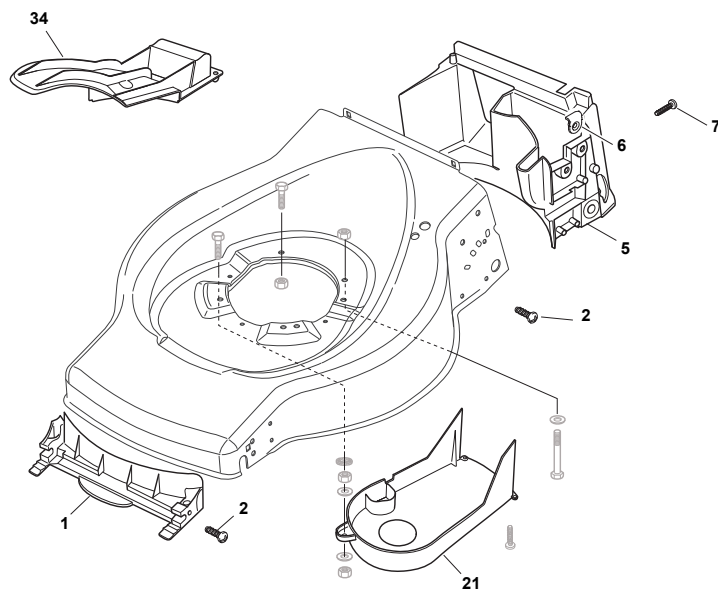
© Copyright 2017 Global Garden Products

All rights reserved. No part of this material may be reproduced or transmitted, in any form or by any means, electronic or mechanical, including photocopying, recording or by any information storage and retrieval system, without permission in writing from GLOBAL GARDEN PRODUCTS.

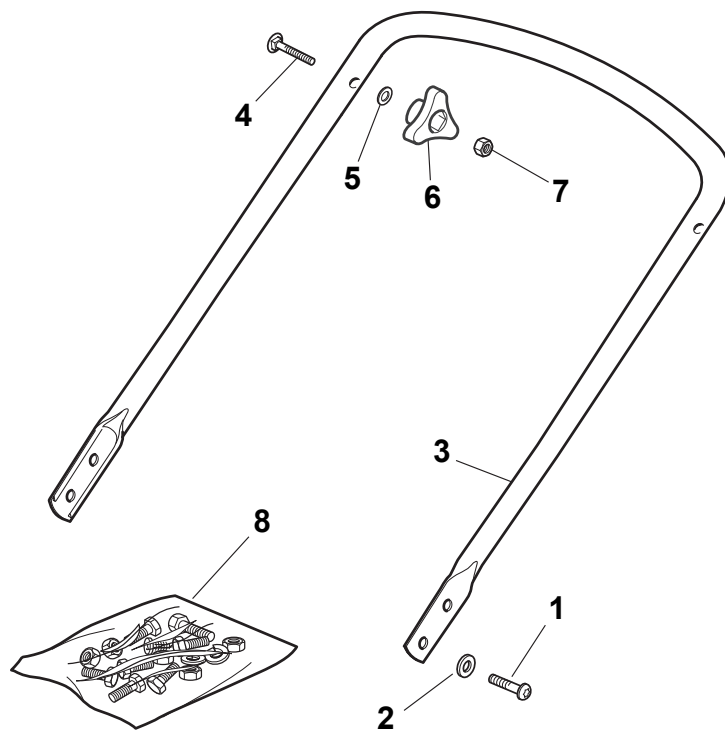
[www.stiga.com](http://www.stiga.com)



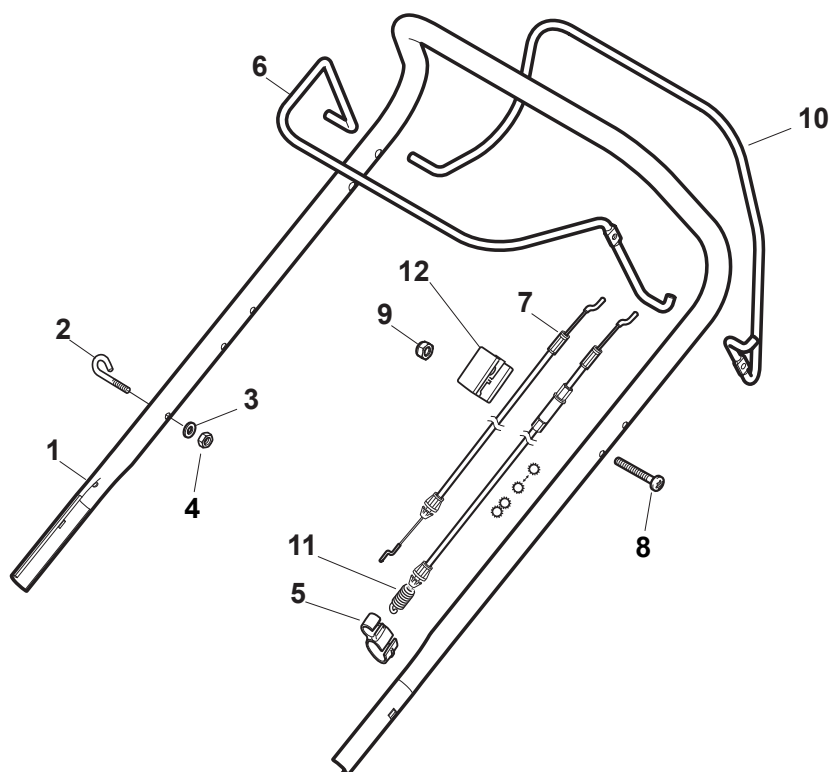
Utgåva Issue 40 - 2016		Kapa och höjdställning Deck And Height Adjusting			
Pos. Fig.	Antal Q.ty	Art nr Part No	Benämning	Description	Anmärkning Notes
1	1	381004745/0	Chassi-gra	Grey Deck	
2	2	122131750/0	Mutter	Nut	
3	1	381000153/0	Hjulaxel-fram	Front Wheel Axle	
4	2	112760600/0	Skruv	Screw	
5	2	112155000/0	Mutter	Nut	
6	2	322600095/0	Hjulskydd	Protection, Wheel	
7	2	325670011/0	Bricka	Antifriction Washer	
12	1	122033317/0	Justerstang	Adjustment Rod	
13	2	381000159/0	Hjulaxel-bakre	Rear Wheel Axle	
14	2	122753001/0	Spännstift	Pin	
16	2	322600106/1	Hjulskydd	Protection, Wheel	
17	1	381003303/0	Höjdställningsspak	Lever, Height Adjustment	
18	2	112728689/0	Skruv	Screw	
19	4	122122202/0	Kullager	Bearing	



Utgåva Issue 40 - 2016		Främre transportband kpl Front Conveyor Assy			
Pos. Fig.	Antal Q.ty	Art nr Part No	Benämning	Description	Anmärkning Notes
1	1	322108271/0	Plastfront Transportör	Front Conveyor Assy	
2	6	112728686/0	Skruv	Screw	
5	1	322108272/2	Bakre skyddLuftledare	Rear Conveyor Assy	
6	4	322545189/0	Plat	Plate	
7	2	112728686/0	Skruv	Screw	
21	1	322060212/0	Remskydd	Protection, Belt	
34	1	322140226/0	Mulchplugg	Deflector	

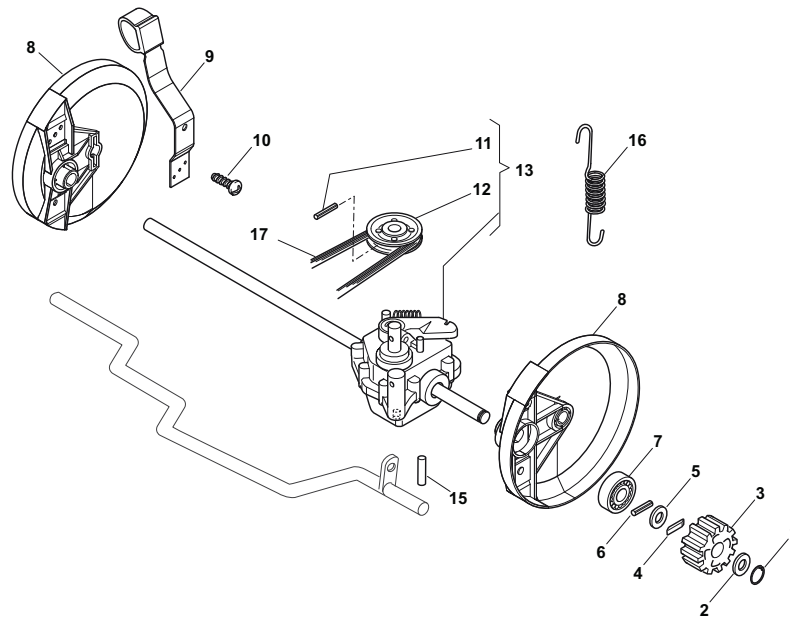


Utgåva Issue 40 - 2016		Reglage, nedre Handle, Lower Part			
Pos. Fig.	Antal Q.ty	Art nr Part No	Benämning	Description	Anmärkning Notes
1	4	112760605/0	Skruv	Screw	
2	4	112521350/0	Bricka	Washer	
3	1	381007544/0	Reglage, nedre Gul	Handle, Lower Part Yellow	Yellow
4	1	112819120/0	Skruv	Screw	
5	2	122671651/0	Bricka	Washer	
6	2	122399900/0	Knopp	Knob	
7	2	112293200/0	Mutter	Nut	
8	1	381008696/0	Skrusats	Outfit, Screws	

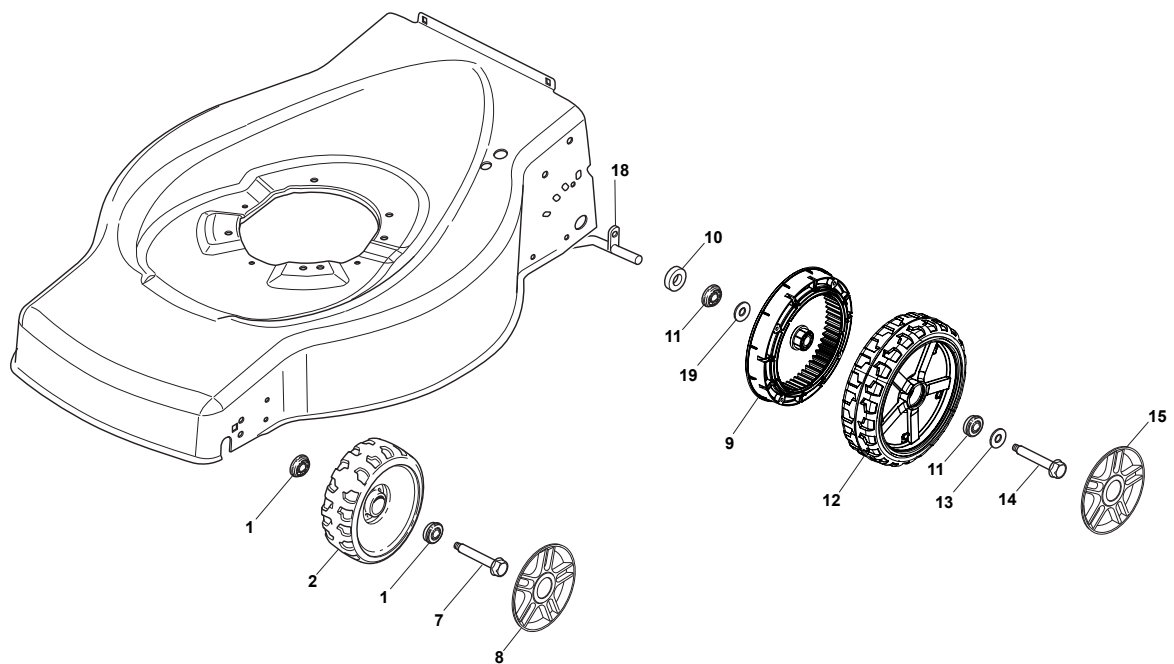




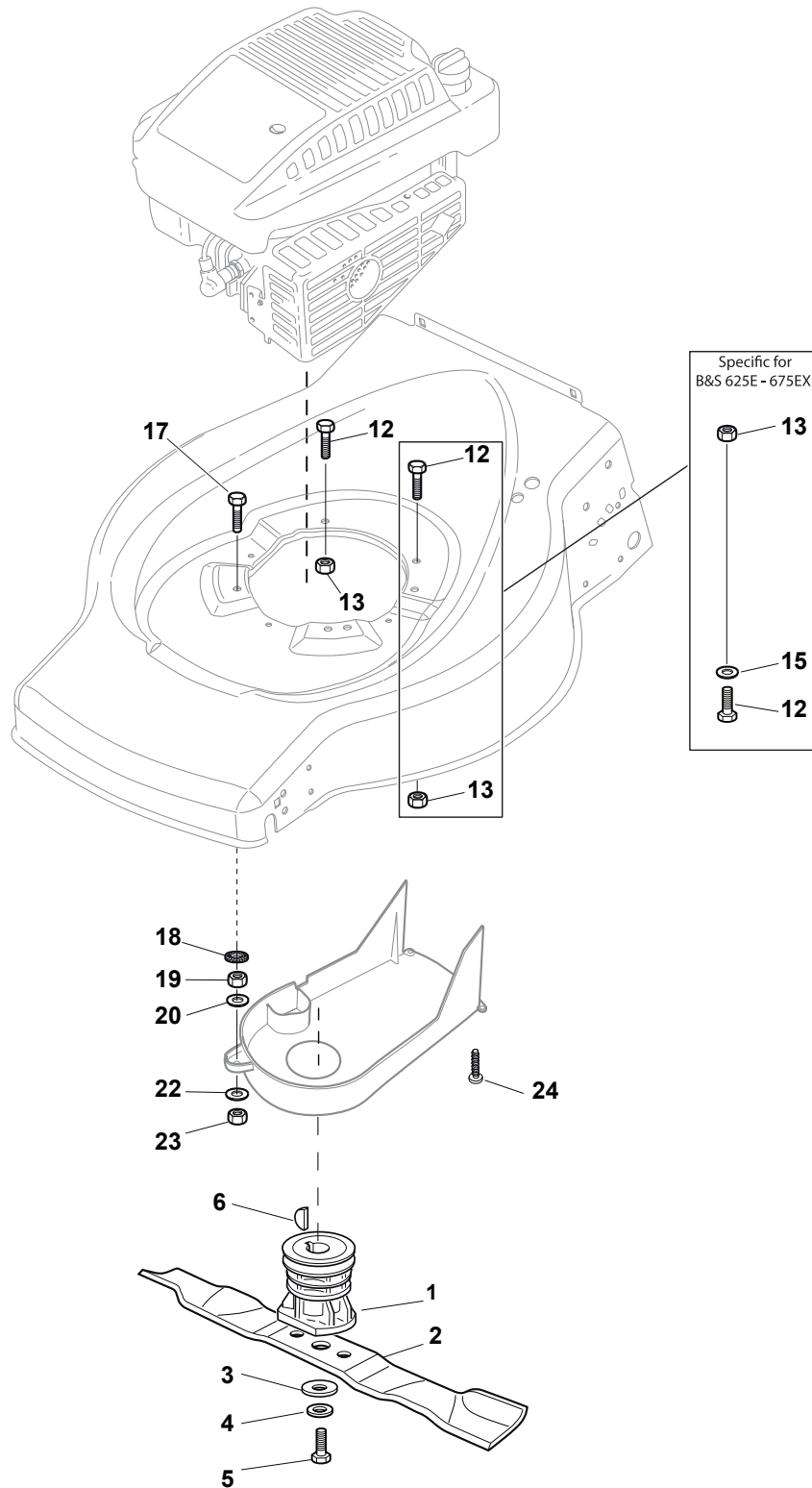
Utgåva Issue 40 - 2016		Reglage, övre Handle, Upper Part			
Pos. Fig.	Antal Q.ty	Art nr Part No	Benämning	Description	Anmärkning Notes
1	1	381006753/0	Handtag, överdel gul	Handle, Upper Part Yellow	
2	1	122430313/0	Fjäder	Guide Spring	
3	1	112521330/0	Bricka	Washer	
4	1	112154510/0	Mutter	Nut	
5	1	118390020/0	Vajerhallare	Conduit Clip	
6	1	181003363/1	Reglagebygel	Lever, Engine Brake Black	Black
7	1	181030087/0	Motorbromswire	Cable, Thread Engine Brake	GGP 100cc Engine
8	1	112727783/0	Skruv	Screw	
9	1	112154510/0	Mutter	Nut	
10	1	181003364/0	Spak Handtag	Drive Control Lever	Black
11	1	381030082/0	Kopplingswire	Cable Rear Drive	
12	1	322551640/0	Plat	Plate	



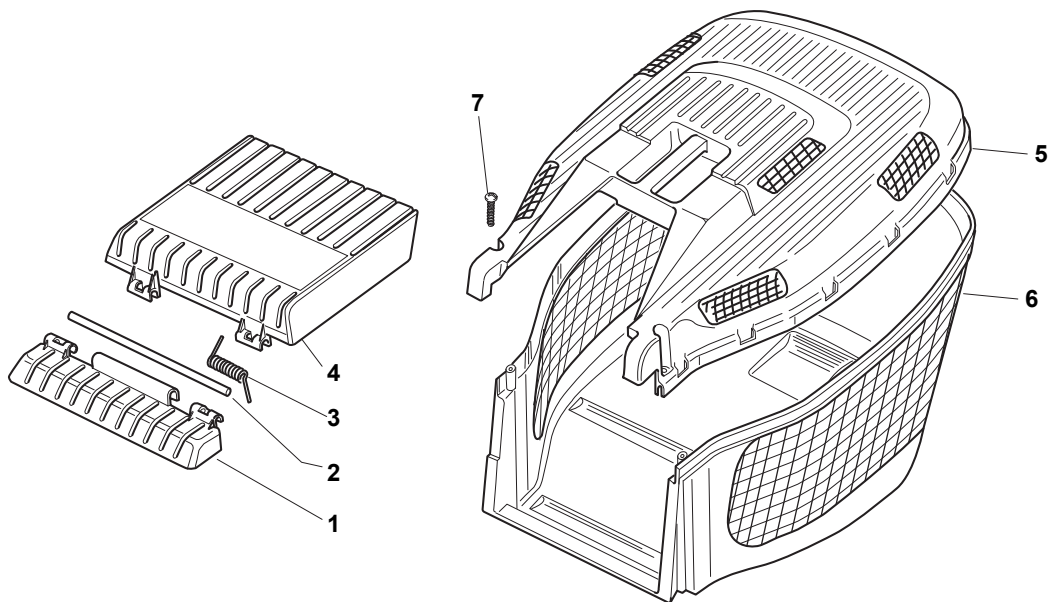
Utgåva Issue 40 - 2016		Bakhjulsdrivning		Transmission	
Pos. Fig.	Antal Q.ty	Art nr Part No	Benämning	Description	Anmärkning Notes
1	2	112608520/0	Lasring	Seeger	
2	2	322160520/0	Dammskydd	Dust Cover Disc	
3	2	122570125/0	Drev	Pinion	
4	2	122076645/0	Kil	Key	
5	2	322160520/0	Dammskydd	Dust Cover Disc	
6	2	112622620/0	Spännstift	Pin	
7	2	122122202/0	Kullager	Bearing	
8	2	322600106/1	Hjulskydd	Protection, Wheel	
9	1	381003303/0	Höjdställningsspak	Lever, Height Adjustment	
10	2	112728689/0	Skruv	Screw	
11	1	112713801/0	Dowel	Dowel	
12	1	122601909/0	Remskiva	Pulley	
13	1	181003093/1	Transmission kpl	Gear Box	
15	2	122753001/0	Spännstift	Pin	
16	1	122450438/0	Fjäder	Spring	
17	1	135063750/0	Drivrem	Belt	



Utgåva Issue 40 - 2016		Hjul och navkapsel Wheels and Hub Caps			
Pos. Fig.	Antal Q.ty	Art nr Part No	Benämning	Description	Anmärkning Notes
1	4	122122200/0	Kullager	Bearing	
2	2	322686091/1	Hjul	Wheel	
7	2	122524341/0	Stift	Pin	
8	2	322110491/0	Navkapsel D170 Gra	Hub Cap Grey	Grey
9	2	322120109/0	Drev	Wheels Crown	
10	2	322170622/0	Distans	Spacer	
11	4	122122200/0	Kullager	Bearing	
12	2	381007468/0	Hjul Ø190	Wheel Ø 190	
13	2	112523050/0	Bricka	Washer	
14	2	112735599/0	Skruv	Screw	
15	2	322110492/0	Navkapsel D170 Gra	Hub Cap Grey	Grey
18	1	381000159/0	Hjulaxel-bakre	Rear Wheel Axle	
19	1	122675100/0	Bricka	Washer	

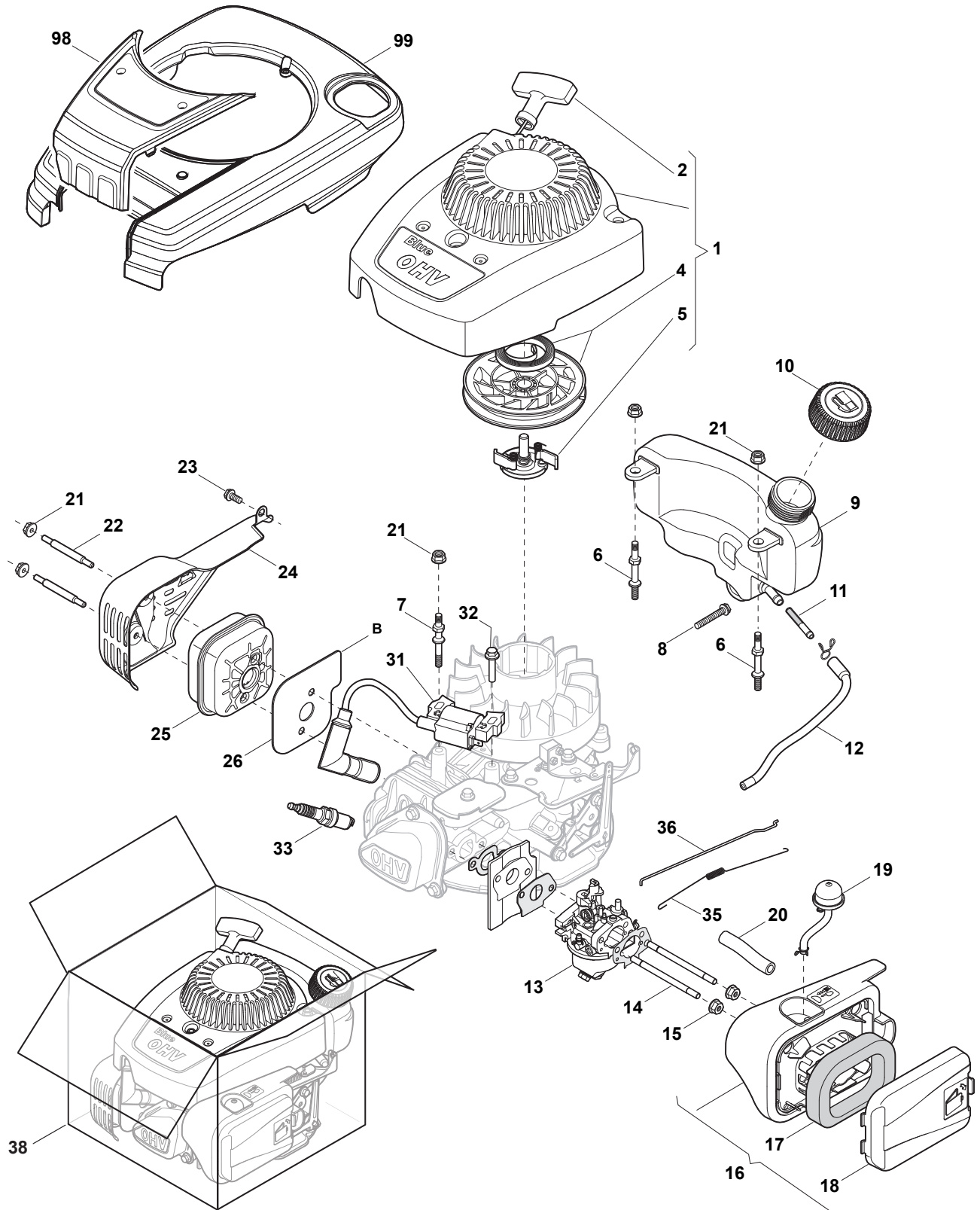


Utgåva Issue 40 - 2016		Kniv Blade			
Pos. Fig.	Antal Q.ty	Art nr Part No	Benämning	Description	Anmärkning Notes
1	1	122465607/3	Knivfäste D22,2	Hub With Pulley, Crankshaft Ø 22.2	
2	1	181004365/3	Mulcherkniv	Mulching Blade	
3	1	122160400/0	Fjäderbricka	Elastic Disc	
4	1	112523080/0	Bricka	Washer	
5	1	112735698/0	Skruv	Screw	
6	1	112139100/0	Kil	Key	
12	2	112691100/0	Skruv	Screw	
15	1	112521350/0	Bricka	Washer	
17	3	112691200/0	Skruv	Screw	
18	1	112543002/0	Bricka	Washer	
19	1	112293200/0	Mutter	Nut	
20	1	122671651/0	Bricka	Washer	
22	1	325670011/0	Bricka	Antifriction Washer	
23	1	112155000/0	Mutter	Nut	
24	2	112728686/0	Skruv	Screw	Not for 414 models

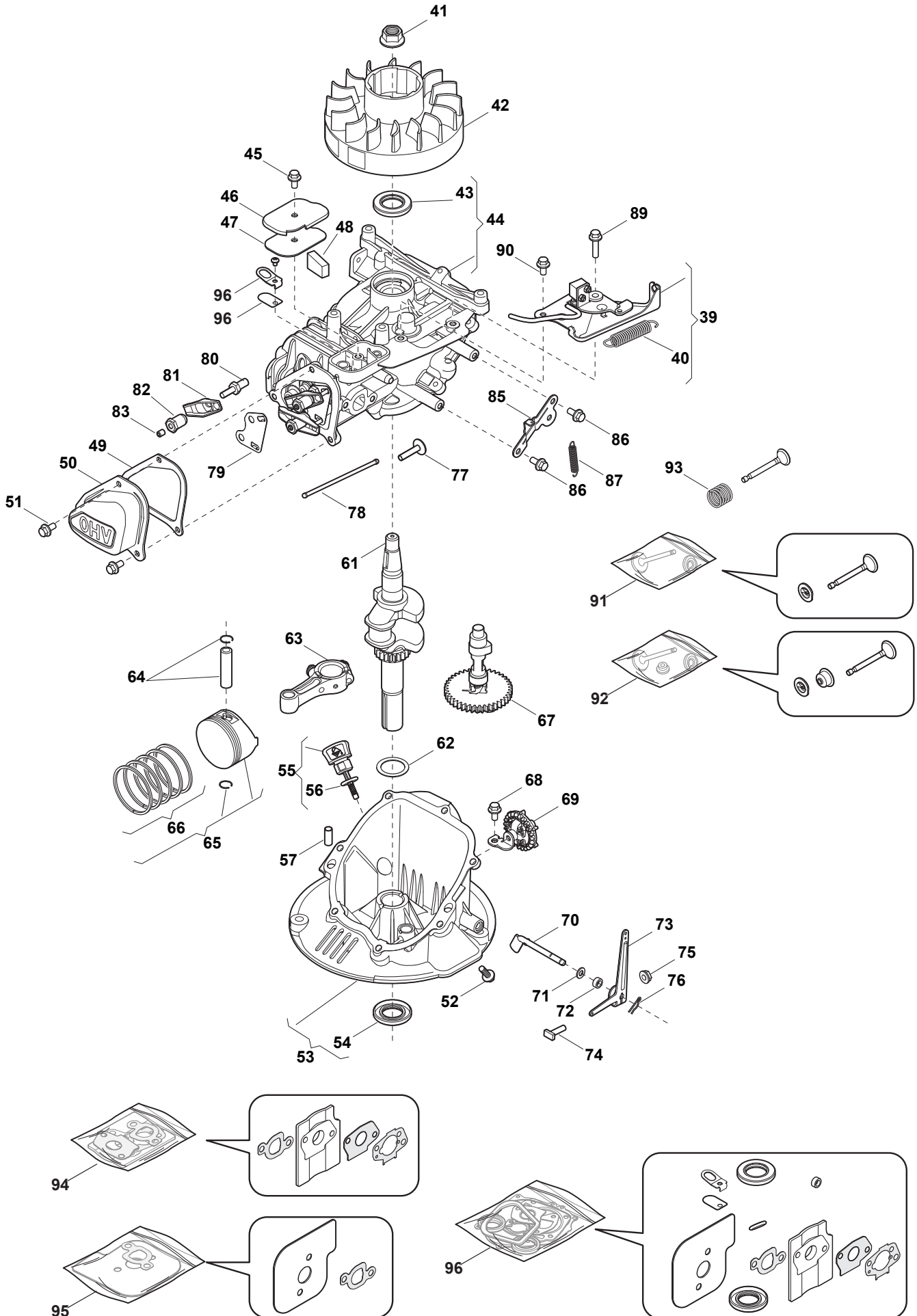




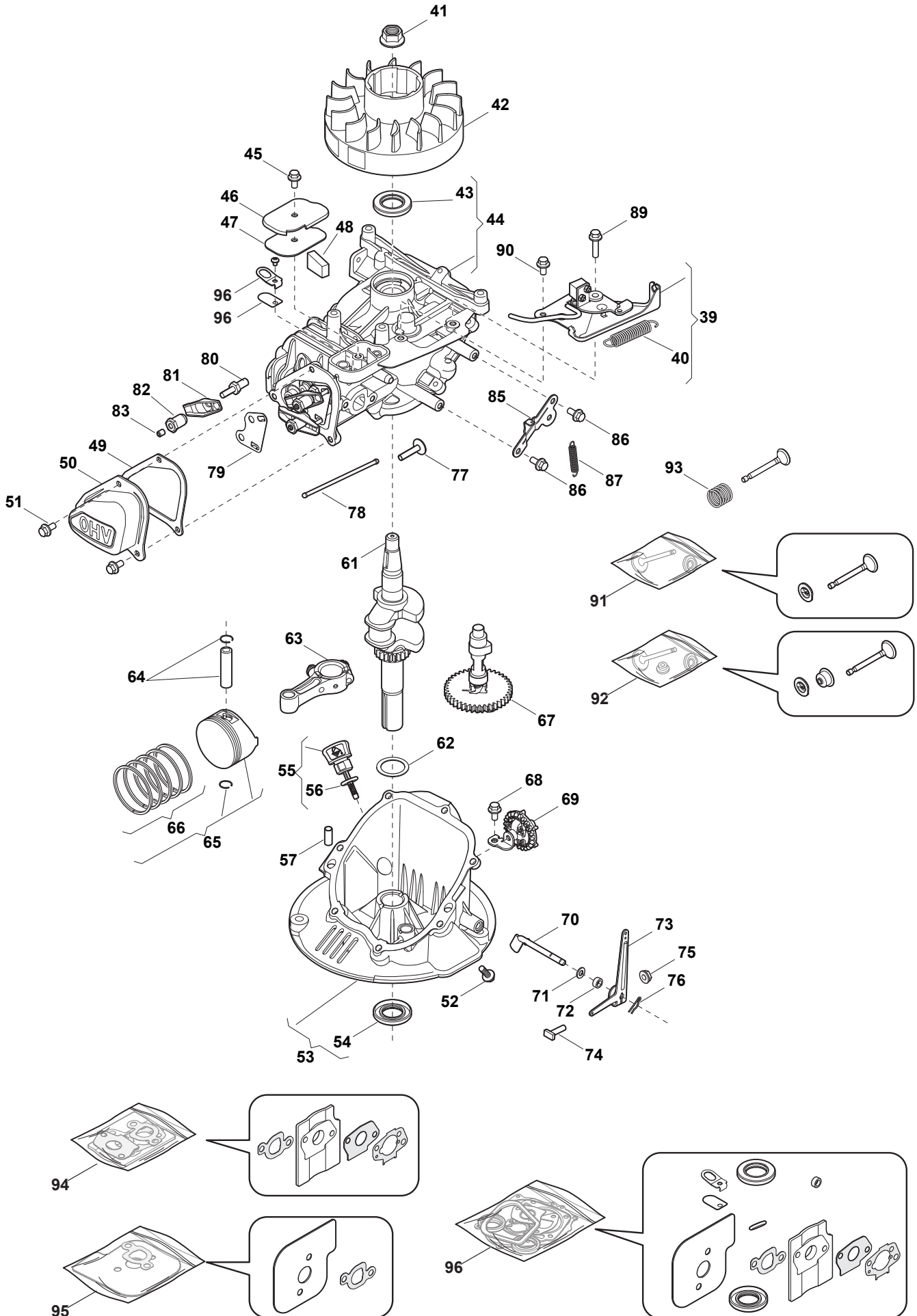
Utgåva Issue 40 - 2016		Gräsuppsamlare Grass-Catcher			
Pos. Fig.	Antal Q.ty	Art nr Part No	Benämning	Description	Anmärkning Notes
1	1	322785140/1	Hallare	Stone Guard Support Yellow	Yellow
2	1	122517858/0	Stift	Pin	
3	1	122450431/0	Fjäder	Spring	
4	1	322600100/2	Stenskydd	Stone-Guard	Yellow
5	1	322486122/0	Uppsamlare-Överdel (Svart)	Grasscatcher Upper Part Black	Black
5	1	322486400/0	Uppsamlare, övre	Grass-Box, Upper Part	Stiga Grey
6	1	322486128/0	Uppsamlare-Underdel (Sv)	Grassbox Lower Part	
7	2	112728691/0	Skruv	Screw	



Utgåva Issue 40 - 2016		Motor - Förgasare Kpl, Bränsletank		Engine - Carburettor, Tank	
Pos. Fig.	Antal Q.ty	Art nr Part No	Benämning	Description	Anmärkning Notes
1	1	118550693/0	Start kpl	Starter Assy Cover	
2	1	118550694/0	Starthandtag	Starter Handle	
4	1	118550695/0	Remskiva	Starter Pulley	
5	1	118550696/0	Startspärr	Starter Pawl Set	
6	2	118550713/0	Skruv	Screw	
7	1	118550714/0	Skruv	Screw	
8	1	112689515/0	Skruv	Screw	
9	1	118550712/0	Bränsletank	Fuel Tank	
10	1	118550711/0	Tanklock	Fuel Cap	
11	1	118550715/0	Bränslefilter	Fuel Filter	
12	1	118550716/0	Bränsleslang	Fuel Pipe	
13	1	118550697/0	Förgasare Kpl	Carburetor	
14	2	118550706/0	Skruv	Screw	
15	2	112292102/0	Mutter	Nut	
16	1	118550702/0	Luftfilter kpl	Air Cleaner Assy	
17	1	118550704/0	Luftfilter	Air Filter	
18	1	118550703/0	Luftfilterkapa	Air Cleaner Cover	
19	1	118550698/0	Luftreningspump	Air Purge Pump	
20	1	118550705/0	Avgasrör	Breather Fule Pipe	
21	2	112292102/0	Mutter	Nut	
21	3	112292102/0	Mutter	Nut	
22	2	118550710/0	Skruv	Screw	
23	1	112735699/0	Skruv	Screw	
24	1	118550709/0	Ljuddämparskydd	Muffler Guard	
25	1	118550708/0	Ljuddämpare	Muffler	
26	1	118550707/0	Ljuddämparpackning	Muffler Gasket	
31	1	118550719/0	Elektronikspole	Electronic Coil	
32	1	112792099/0	Skruv	Screw	
33	1	118550658/0	Tändstift - K7Rtc	Spark Plug	
35	1	118550720/0	Fjäder	Spring	
36	1	118550721/0	Reglagestang	Governor Link	
38	1	118550732/0	Ggp Motor Rs100	Engine Assembled	
98	1	322055521/0	Kapa gra	Grey Cover	additional parts not for all models
98	1	322055530/0	Kapa svart	Black Cover	additional parts not for all models
99	1	322055518/0	Yellow Engine Cowling	Yellow Engine Cowling	additional parts not for all models



Utgåva Issue 40 - 2016		Motor - Kolv, Vevaxel		Engine - Piston, Crankshaft	
Pos. Fig.	Antal Q.ty	Art nr Part No	Benämning	Description	Anmärkning Notes
39	1	118550728/0	Broms Kpl	Brake assy	
40	1	118550727/0	Fjäder	Spring	
41	1	118550717/0	Mutter	Nut	
42	1	118550718/0	Svånghjul kpl	Flywheel Ass.Y	
43	1	118550661/0	Oljeätning	Oil Seal	
44	1	118550729/0	Topplöck	Cylinder Head Assy	
45	1	112735699/0	Skruv	Screw	
46	1	118550659/0	Kapa	Cover	
47	1	118550733/0	Packning	Gasket, Breath Groove	
48	1	118550660/0	Oljefilter	Oil Filter	
49	1	118550680/0	Packning	Gasket	
50	1	118550681/0	Kapa, cylinderhuvud	Cover Comp., Head	
51	3	112735699/0	Skruv	Screw	
52	7	112791500/0	Skruv	Screw	
53	1	118550672/0	Vevhus kapa kpl	Crankcase Cover Assy	
54	1	118550668/0	Tätning	Oil Seal	
55	1	118550669/0	Oljesticka	Tank Cap	
56	1	118550670/0	Tätning	Or Ring	
57	2	118550664/0	Stift	Pin	
61	1	118550674/0	Vevaxel kpl	Crankshaft	
62	1	118550673/0	Bricka	Washer	
63	1	118550675/0	Vevstake	Connecting Rod Assy	
64	1	118550678/0	Kolvspind	Circlip + Piston Pin	
65	1	118550677/0	Kolv kpl	Piston Assy	
66	1	118550679/0	Kolvringssats	Piston, Ring Set	
67	1	118550682/0	Kamaxel	Camshaft assy	
68	1	112735699/0	Skruv	Screw	
69	1	118550662/0	Växel kpl, Regulator	Speed Governor Assy	
70	1	118550665/0	Regulatoraxel	Shaft, Governor Arm	
71	1	118550666/0	Bricka	Washer	
72	1	118550671/0	Packning	Gasket	
73	1	118550723/0	Stöd	Support Governor	
74	1	118550726/0	Skruv	Screw	
75	1	118550722/0	Mutter	Nut	
76	1	118550667/0	Harnalspind	Cotter Pin	
77	2	118550683/0	Ventilyftare	Valve Lifter	
78	2	118550684/0	Tryckstang	Push Rods	
79	1	118550685/0	Plat	Plate	
80	2	118550686/0	Skruv	Screw	
81	2	118550687/0	Vippventil	Valve Arm	
82	2	118550688/0	Mutter	Nut	
83	2	118550689/0	Mutter	Nut	
85	1	118550724/0	Plat	Plate	
86	2	112735699/0	Skruv	Screw	
87	1	118550725/0	Fjäder	Spring	
89	1	112791500/0	Skruv	Screw	
90	1	112735699/0	Skruv	Screw	
91	2	118550692/0	Avgasventil	Exhaust Valve Assy	
92	2	118550691/0	Insugningsventil Kpl	Intake Valve Assy	



Utgåva Issue 40 - 2016		Motor - Kolv, Vevaxel Engine - Piston, Crankshaft			
Pos. Fig.	Antal Q.ty	Art nr Part No	Benämning	Description	Anmärkning Notes
93	2	118550690/0	Fjäder	Spring	
94	1	118550699/0	Förgasarpackning kpl	Carburettor Gasket Set	
95	1	118550731/0	Packningssats (Cylinder)	Cylinder Head Gasket Set	
96	1	118550730/0	Packningssats	Engine Gasket Set	

