



Reservdelskatalog Parts Catalogue

TWINCLIP 50 S B

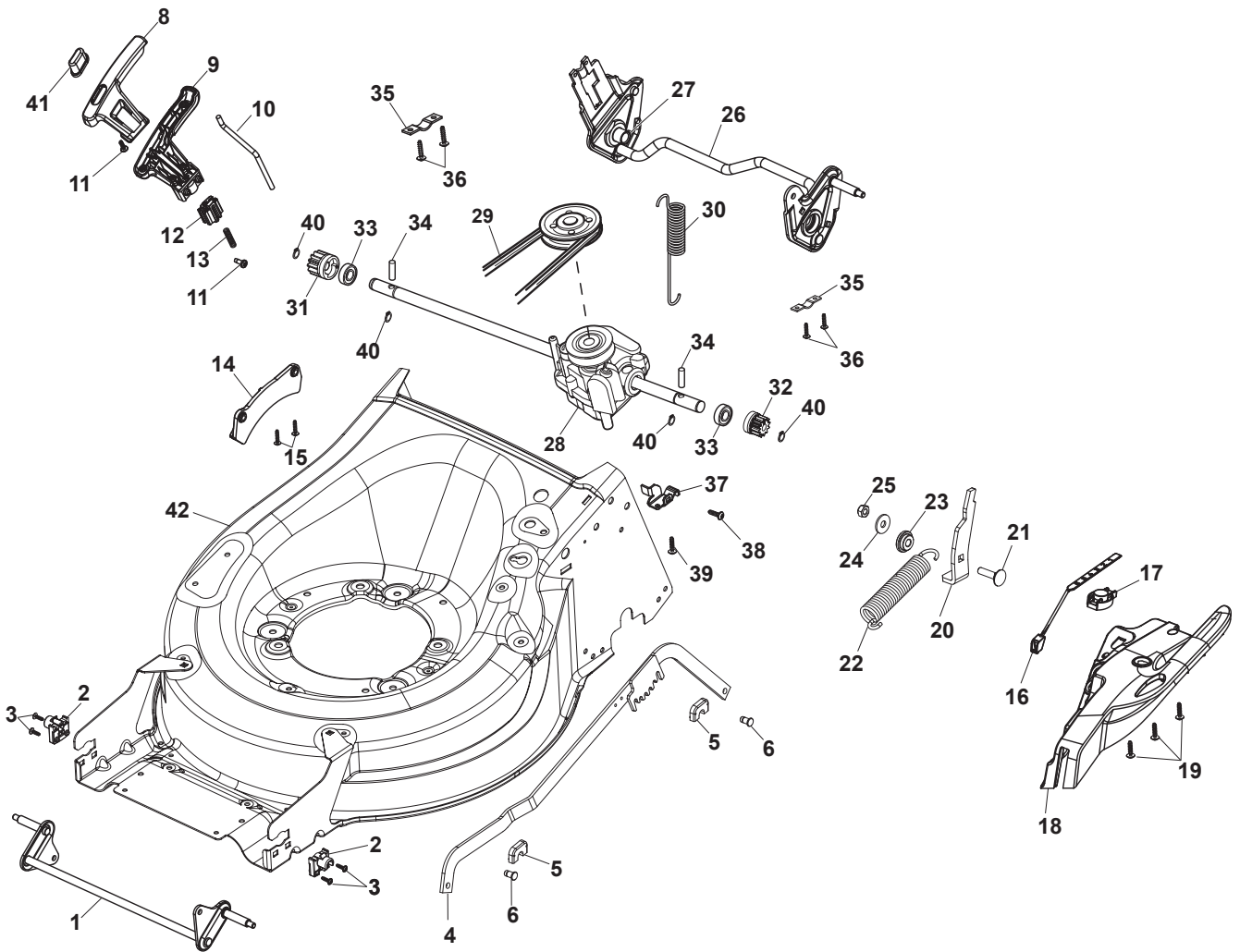
294512028/S16 - Season 2016

- Use GLOBAL GARDEN PRODUCT Genuine Spare Parts specified in the parts list for repair and/or replacement.
 - The contents described in the parts list may change due to improvement.
 - The drawings of the spare parts are only indicative and might not represent the part in question exactly.
 - The indications "right" - "left" - "front" - "rear" refer to the position of the operator when using the machine.
- When placing orders of parts for repair and/or replacement, make sure that the illustrated parts list is the one applying to the machine's year of manufacture, as shown on the identification plate attached to the machine.

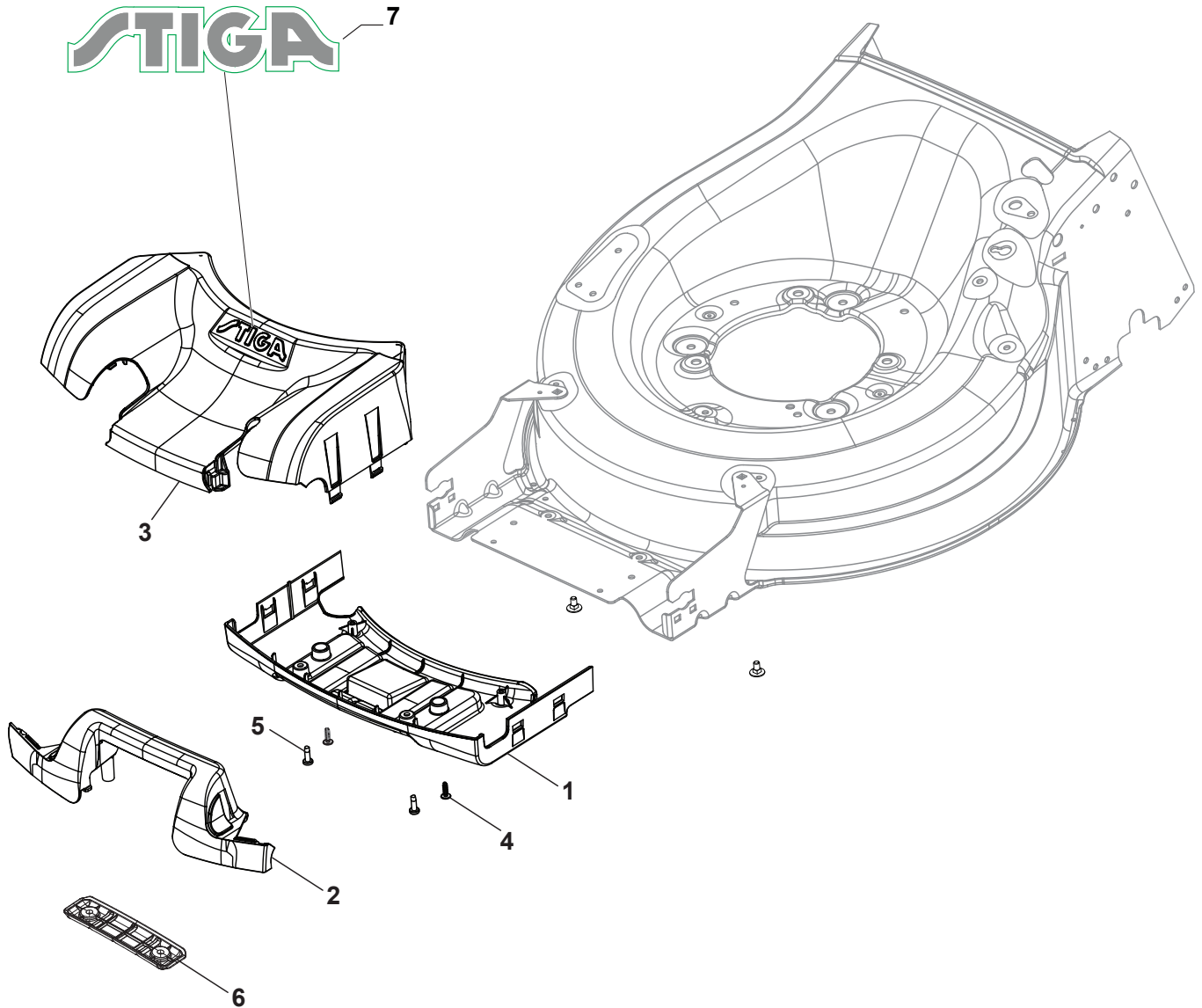
© Copyright 2016 Global Garden Products

All rights reserved. No part of this material may be reproduced or transmitted, in any form or by any means, electronic or mechanical, including photocopying, recording or by any information storage and retrieval system, without permission in writing from GLOBAL GARDEN PRODUCTS.

www.stiga.com

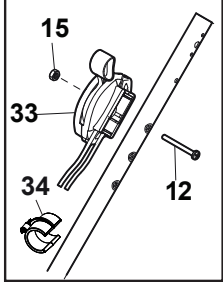


| Utgåva Issue 2 - 2016 | | Kapa och höjdställning | | Deck And Height Adjusting | |
|-----------------------------|---------------|------------------------|---------------------------|---------------------------|---------------------|
| Pos. Fig. | Antal Q.ty | Art nr Part No | Benämning | Description | Anmärkning Notes |
| 1 | 1 | 381302901/0 | Hjulaxel-fram | Axle, Front Wheels | |
| 2 | 2 | 322785305/1 | Stöd | Support | |
| 3 | 4 | 112728697/0 | Skruv | Screw | |
| 4 | 1 | 322869697/0 | Justerstag | Adjustment Rod | |
| 5 | 2 | 112436051/0 | Plat | Plate | |
| 6 | 2 | 122519823/0 | Stift | Pin | |
| 8 | 1 | 322394534/0 | Handtag | Upper Handle | Black |
| 9 | 1 | 322394535/0 | Handtag | Lower Handle | Black and Yellow |
| 10 | 1 | 322869723/0 | Stötstång | Rod | |
| 11 | 6 | 112728697/0 | Skruv | Screw | |
| 12 | 1 | 322109580/0 | Höjdställningsslid | Slide | |
| 13 | 1 | 122450484/0 | Fjäder | Spring | |
| 14 | 1 | 322735592/0 | Höjdställningssegment | Sector, Height Adjustment | |
| 15 | 2 | 9943-0516-16 | Skruv | Screw | |
| 16 | 1 | 322602031/0 | Låsplatta | Position Plate | |
| 17 | 1 | 322602027/0 | Lins | Lens | |
| 18 | 1 | 322055334/0 | Hus | Deck, Adjustment | |
| 19 | 3 | 112728699/0 | Skruv | Screw | |
| 20 | 1 | 322778475/0 | Fäste | Bracket | |
| 21 | 1 | 112815270/0 | Skruv | Screw | |
| 22 | 1 | 122450480/0 | Fjäder | Spring | |
| 23 | 1 | 122517873/0 | Stift | Pin | |
| 24 | 1 | 112523040/0 | Bricka | Washer | |
| 25 | 1 | 112154510/0 | Mutter | Nut | |
| 26 | 1 | 381302905/0 | Hjulaxel-bakre | Rear Wheel Axle | |
| 27 | 2 | 322038407/0 | Bussning | Brass | |
| 28 | 1 | 181003118/0 | Växellåda | Gear Box | |
| 29 | 1 | 135063802/0 | Drivrem | Belt | |
| 30 | 1 | 122450478/0 | Fjäder | Spring | |
| 31 | 1 | 122570110/1 | Drev | Pinion Right | |
| 32 | 1 | 122570120/1 | Drev | Pinion Left | |
| 33 | 2 | 119216035/0 | Lager | Bearing | |
| 34 | 2 | 122753000/0 | Spännstift | Pin | |
| 35 | 2 | 322545147/0 | Plat | Plate | |
| 36 | 4 | 9943-0516-16 | Skruv | Screw | |
| 37 | 1 | 322778489/0 | Plåt | Plate | |
| 38 | 1 | 112735664/0 | Skruv | Screw | |
| 39 | 1 | 9943-0516-16 | Skruv | Screw | |
| 40 | 4 | 112608600/0 | Segersäkringsåkring Sga12 | Seeger | |
| 41 | 1 | 322602029/0 | Knapp | Button | |
| 42 | 1 | 381004838/0 | Chassi-Grå | Grey Deck | |

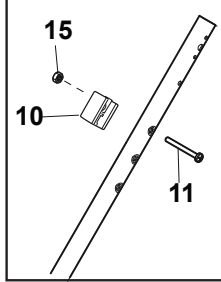


| Utgåva Issue 2 - 2016 | | Mask Mask, Frontal Basic Version | | | |
|-----------------------------|---------------|-------------------------------------|------------------|------------------|---------------------|
| Pos. Fig. | Antal Q.ty | Art nr Part No | Benämning | Description | Anmärkning Notes |
| 1 | 1 | 322500111/0 | Luftintag | Front Combi | |
| 2 | 1 | 381393703/0 | Handtag | Handle | |
| 3 | 1 | 322226240/0 | Frontkapa, Gra | Mask, Grey | |
| 4 | 2 | 112728697/0 | Skruv | Screw | |
| 5 | 2 | 112728699/0 | Skruv | Screw | |
| 6 | 1 | 322393756/0 | Handtag-Främre | Front Handle | |
| 7 | 1 | 114367494/2 | Dekal STIGA logo | Label STIGA logo | |

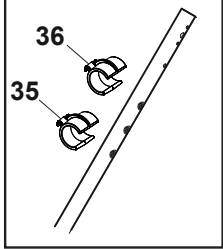
Throttle Cable



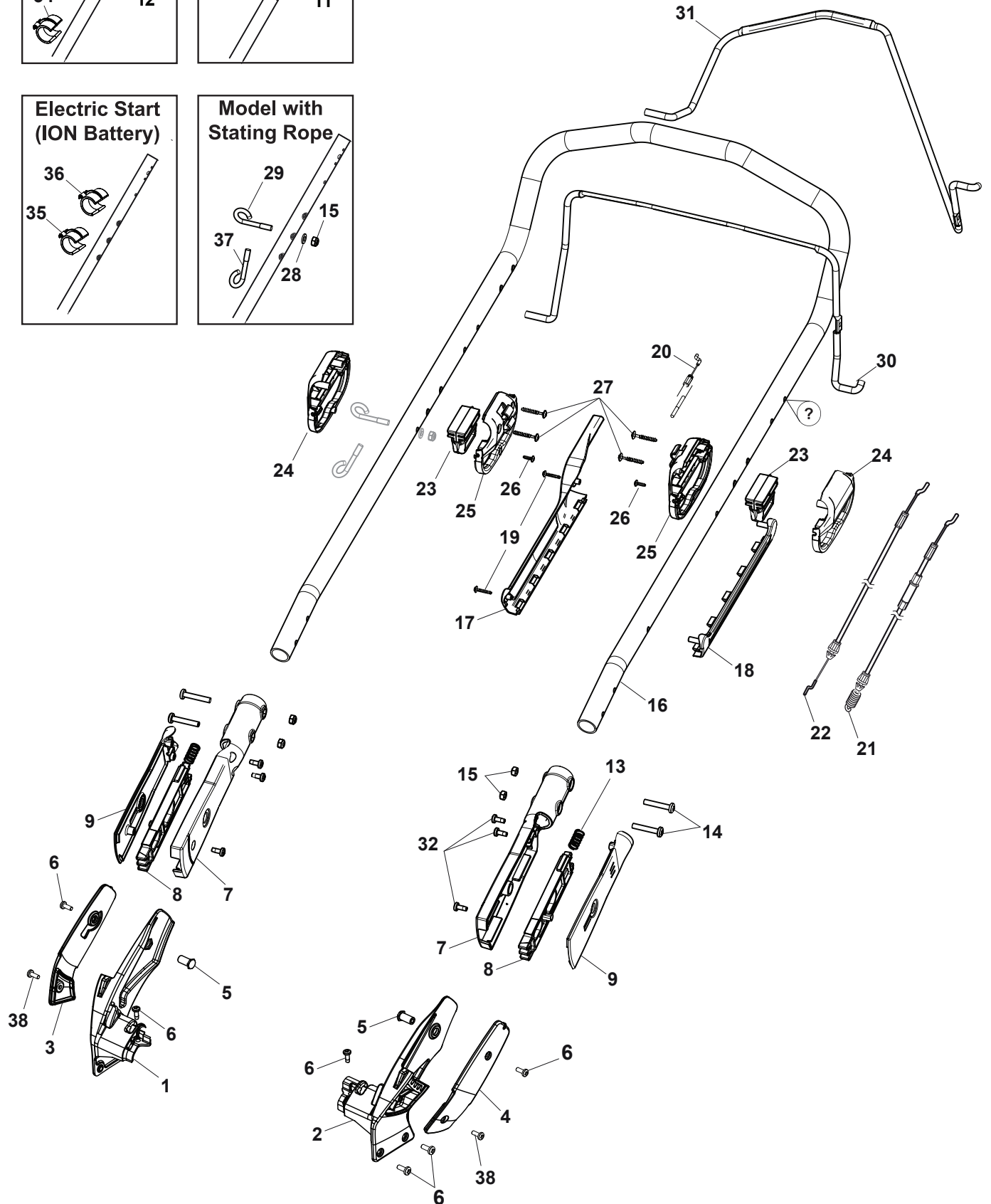
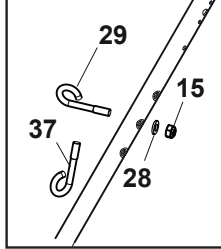
FIX rpm



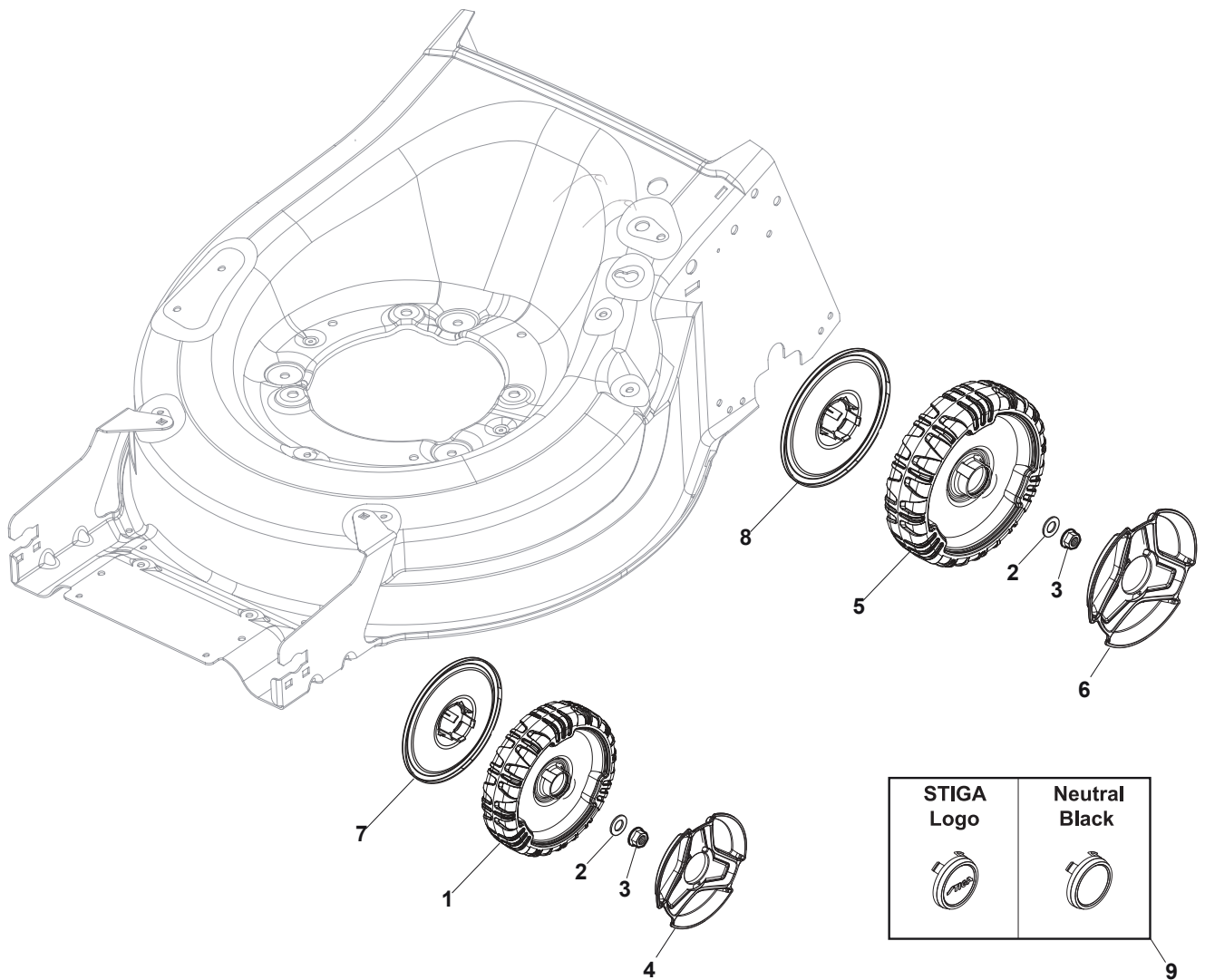
**Electric Start
(ION Battery)**



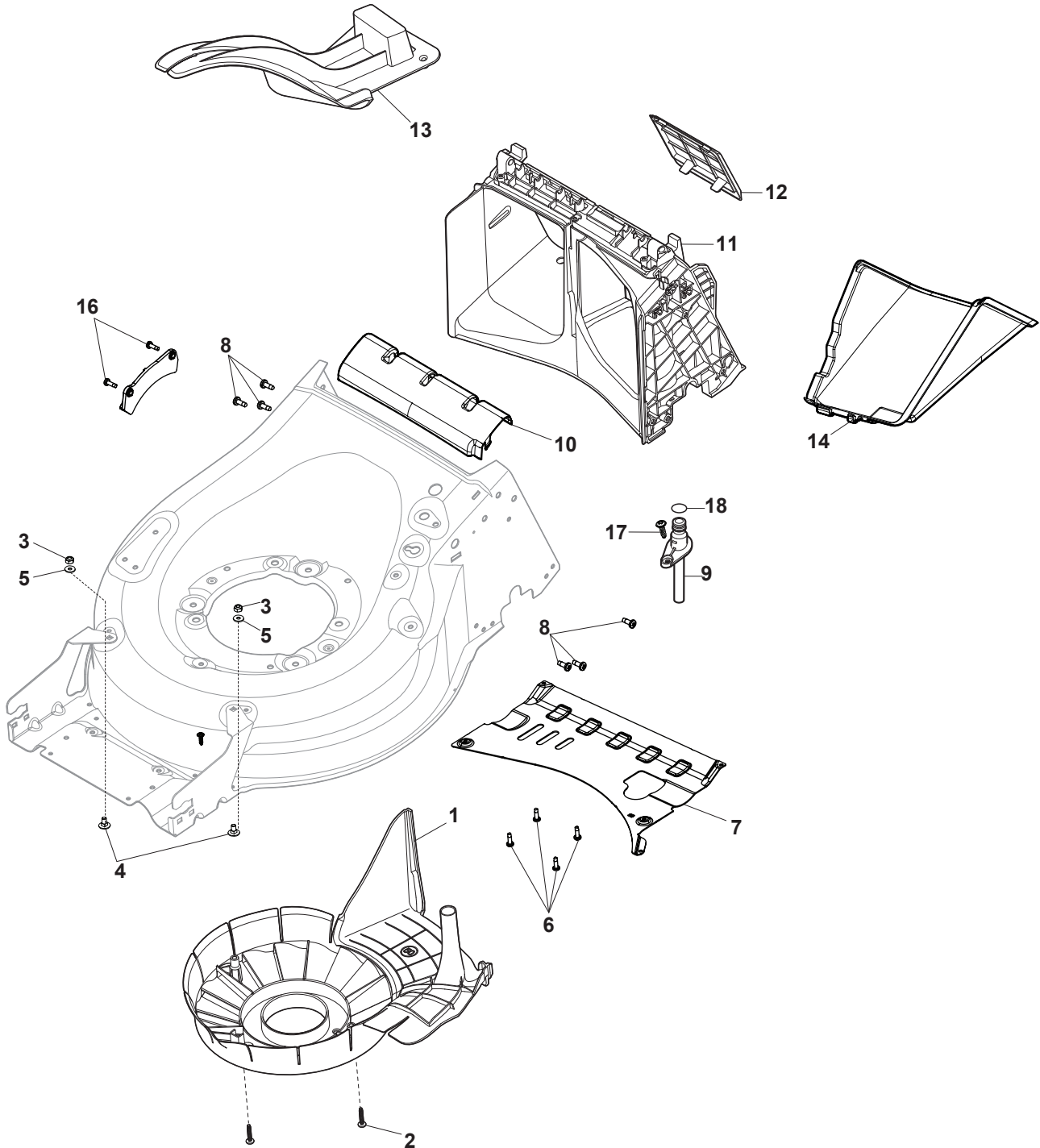
**Model with
Stating Rope**



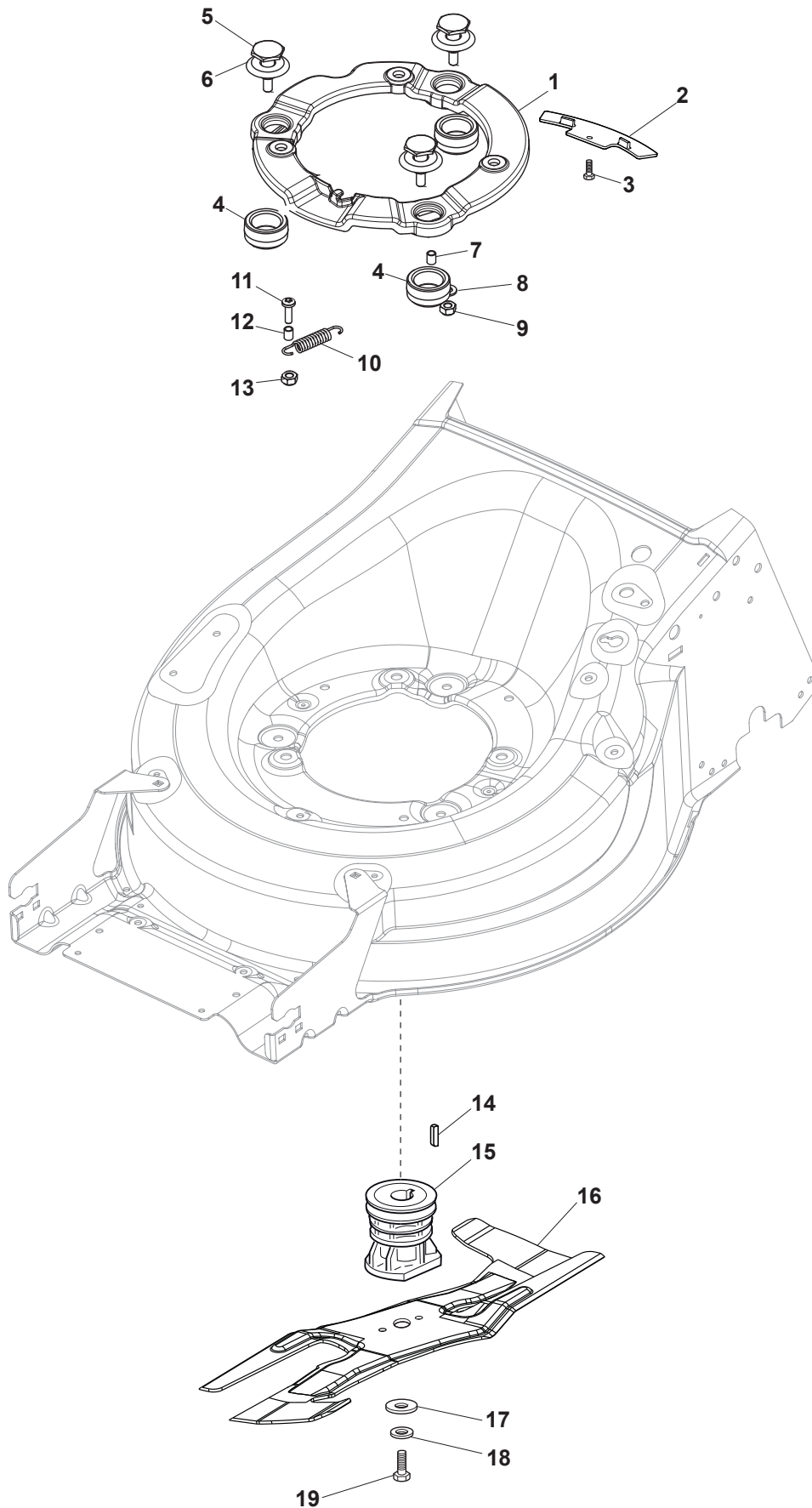
| Utgåva Issue 2 - 2016 | | Kaross/Handreglage, övre | | Chassis/Handle, Upper Part | |
|-----------------------------|---------------|--------------------------|-------------------------|----------------------------|---|
| Pos. Fig. | Antal Q.ty | Art nr Part No | Benämning | Description | Anmärkning Notes |
| 1 | 1 | 381005219/0 | Fäste-hö | Right Bracket | |
| 2 | 1 | 381005221/0 | Fäste-vä | Left Bracket | |
| 3 | 1 | 381005223/0 | Kapa-hö | Cover, Right | |
| 4 | 1 | 381005225/0 | Kapa-vä | Cover, Left | |
| 5 | 2 | 122517885/0 | Stift | Pin | |
| 6 | 10 | 112735664/0 | Skruv | Screw | |
| 7 | 2 | 381005227/0 | Cursor Guide | Cursor Guide | |
| 8 | 2 | 322246106/0 | Cursor | Cursor | |
| 9 | 2 | 381005229/0 | Cursor Guide | Cursor Guide | |
| 10 | 1 | 322551639/0 | Plat | Fixed Plate | |
| 11 | 1 | 112727784/0 | Skruv | Screw | for FIX rpm |
| 12 | 1 | 112727786/0 | Skruv | Screw | for Throttle Cable |
| 13 | 2 | 125430202/0 | Fjäder | Spring | |
| 14 | 4 | 112727799/0 | Skruv | Screw | |
| 15 | 6 | 112154510/0 | Mutter | Nut | |
| 16 | 1 | 381007578/0 | Styre-överdel | Handle, Upper Part | |
| 17 | 1 | 322806650/0 | Internal Handtagsstöd | Support, Internal | |
| 18 | 1 | 322806651/0 | Handtagsstöd | Support, External | |
| 19 | 2 | 112728713/0 | Skruv | Screw | |
| 20 | 2 | 381030123/0 | Cable Com. Cursor. Assy | Cable Com. Cursor. Assy | |
| 21 | 1 | 381030118/0 | Kopplingswire | Clutch Cable | |
| 22 | 1 | 181030088/0 | Motorbromswire | Cable, Thread Engine Brake | |
| 23 | 2 | 322394540/0 | Spak | Lever | |
| 24 | 2 | 322722821/0 | Extern Skydd | External Protection | |
| 25 | 2 | 322722820/0 | Intern Skydd | Internal Protection | |
| 26 | 2 | 112728696/0 | Skruv | Screw | |
| 27 | 2 | 9838-9530-12 | Skruv | Screw | |
| 28 | 1 | 112521330/0 | Bricka | Washer | |
| 29 | 1 | 122430313/0 | Fjäder | Guide Spring | for models without electric start |
| 30 | 1 | 181003490/0 | Reglagebygel | Lever, Engine Brake | |
| 31 | 1 | 181003491/0 | Spak Handtag | Drive Control Lever | |
| 32 | 1 | 112735651/0 | Skruv | Screw | |
| 33 | 1 | 181005540/0 | Gasreglage | Throttle Cable | |
| 34 | 1 | 118390020/0 | Vajerhallare | Fairlead | |
| 35 | 1 | 118390020/0 | Vajerhallare | Conduit Clip | for electric start engine (ION Battery) |
| 36 | 1 | 133320504/0 | Kabalfäste | Fairlead | for electric start engine (ION Battery) |
| 37 | 1 | 122430318/0 | Fjäder | Guide Spring | for models without electric start |
| 38 | 2 | 112735660/0 | Skruv | Screw | |



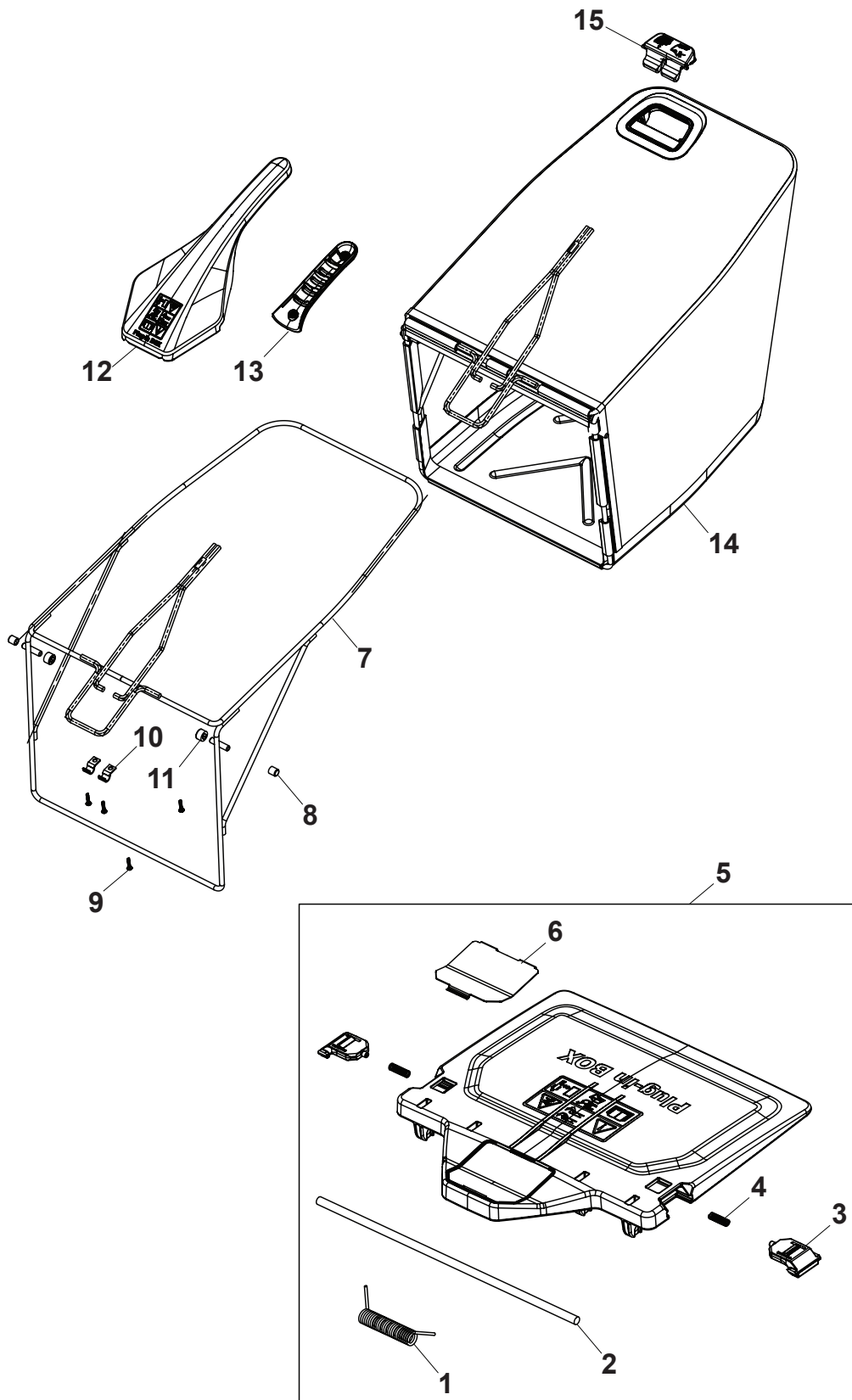
| Utgåva Issue 2 - 2016 | | Hjul och navkapsel Wheel and Hub Cap | | | |
|-----------------------------|---------------|---|---------------|-------------------|---------------------|
| Pos. Fig. | Antal Q.ty | Art nr Part No | Benämning | Description | Anmärkning Notes |
| 1 | 2 | 381007498/0 | Hjul | Wheel | Plastic Wheel |
| 2 | 2 | 112521350/0 | Bricka | Washer | |
| 3 | 2 | 112155000/0 | Mutter | Nut | |
| 4 | 2 | 322110796/0 | Navkapsel Gra | Hub Cap Grey | Grey |
| 5 | 2 | 381007801/0 | Hjul | Wheel | Plastic Wheel |
| 6 | 2 | 322110797/0 | Navkapsel Gra | Hub Cap Grey | Grey |
| 7 | 2 | 322600334/0 | Hjulskydd | Protection, Wheel | |
| 8 | 2 | 322600333/0 | Hjulskydd | Protection, Wheel | |
| 9 | 4 | 322110798/0 | Navkapsel Gra | Hub Cap Grey | with STIGA Logo |



| Utgåva Issue 2 - 2016 | | Remskydd Protection, Belt | | | |
|-----------------------------|---------------|------------------------------|---------------------|---------------------------|---------------------|
| Pos. Fig. | Antal Q.ty | Art nr Part No | Benämning | Description | Anmärkning Notes |
| 1 | 1 | 322060270/1 | Mulchingplugg | Carter Mulching | |
| 2 | 1 | 112728697/0 | Skruv | Screw | |
| 3 | 2 | 112154510/0 | Mutter | Nut | |
| 4 | 2 | 112815205/0 | Skruv | Screw | |
| 5 | 2 | 112521330/0 | Bricka | Washer | |
| 6 | 4 | 112735654/0 | Skruv | Screw | |
| 7 | 1 | 322778493/0 | Hus-nedre | Lower Case | |
| 8 | 6 | 112735664/0 | Skruv | Screw | |
| 9 | 1 | 322034006/0 | Tvättanslutning | Washing Connection | |
| 10 | 1 | 322109578/0 | Stenskyddsfäste grå | Stone-Guard Support, Grey | |
| 11 | 1 | 381004825/0 | Conveyor | Conveyor | |
| 12 | 1 | 322600310/0 | Rear door | Rear door | |
| 13 | 1 | 322140247/0 | Deflektor | Deflector | |
| 14 | 1 | 322108319/0 | Rear door | Rear door | |
| 16 | 2 | 112735664/0 | Skruv | Screw | |
| 17 | 1 | 119035000/0 | O-Ring | Or Ring | |
| 18 | 1 | 112728697/0 | Skruv | Screw | |



| Utgåva Issue 21 - 2016 | | Kniv Blade | | | |
|------------------------------|---------------|-------------------|--------------|------------------------------------|------------------------------------|
| Pos. Fig. | Antal Q.ty | Art nr Part No | Benämning | Description | Anmärkning Notes |
| 1 | 1 | 381207230/0 | Fläns | Flange | |
| 2 | 1 | 322551536/0 | Plate | Plate | |
| 3 | 1 | 112728210/0 | Skruv | Screw | |
| 4 | 3 | 322250014/0 | Gummi | Rubber | |
| 5 | 3 | 122519816/0 | Stift | Pin | |
| 6 | 3 | 322672201/0 | Bricka | Washer | |
| 7 | 3 | 122170850/0 | Distans | Spacer | |
| 8 | 3 | 112521350/0 | Bricka | Washer | |
| 9 | 3 | 112155000/0 | Mutter | Nut | |
| 10 | 1 | 122450439/0 | Fjäder | Spring | |
| 11 | 1 | 112727801/0 | Skruv | Screw | |
| 12 | 1 | 122170846/0 | Distans | Spacer | |
| 13 | 1 | 112154510/0 | Mutter | Nut | |
| 14 | 1 | 112139100/0 | Kil Ø 22 | Key Ø 22 | |
| 15 | 1 | 122465638/1 | Knivfäste | Hub With Pulley, Crankshaft Ø 22.2 | |
| 16 | 1 | 181004415/0 | Kniv | Blade | |
| 17 | 1 | 122160400/0 | Fjäderbricka | Elastic Disc | |
| 17 | 1 | 112508125/0 | Bricka | Elastic Washer | Used only on the MP2 55 AVS D25 |
| 18 | 1 | 112523080/0 | Bricka | Washer | |
| 19 | 1 | 112736815/0 | Skruv | Screw | |



| Utgåva Issue 2 - 2016 | | Gräsuppsamlare Grass-Catcher | | | |
|-----------------------------|---------------|---------------------------------|----------------|--------------------|---------------------|
| Pos. Fig. | Antal Q.ty | Art nr Part No | Benämning | Description | Anmärkning Notes |
| 1 | 1 | 122450485/0 | Fjäder | Spring | |
| 2 | 1 | 122517884/0 | Stift | Pin | |
| 3 | 2 | 322109579/0 | Fäste | Support | |
| 4 | 2 | 122450482/0 | Fjäder | Spring | |
| 5 | 1 | 381008155/0 | Lucka - svart | Stone Guard, Black | |
| 6 | 1 | 322551678/0 | Bygel | Plate | |
| 7 | 1 | 181006431/0 | Förstärkning | Stiffening | |
| 8 | 2 | 322109581/0 | Polskydd | Protection | |
| 9 | 4 | 112728713/0 | Skruv | Screw | |
| 10 | 2 | 325774220/0 | Fäste | Bracket | |
| 11 | 2 | 322109582/0 | Polskydd | Protection | |
| 12 | 1 | 322393753/0 | Handtag | Handle | |
| 13 | 1 | 322394536/0 | Lower Handgrip | Lower Handgrip | |
| 14 | 1 | 181102378/0 | Bag | Fabric Box | Stiga Logo |
| 15 | 1 | 322486452/0 | Indikator | Indicator | |

| code | pos. | q.ty | page | | | | | | | | | | |
|--------------|------|------|-------|-------------|----|---|-------|-------------|----|---|-------|--|--|
| 9838-9530-12 | 27 | 2 | p. 7 | 122570110/1 | 31 | 1 | p. 3 | 381005223/0 | 3 | 1 | p. 7 | | |
| 9943-0516-16 | 15 | 2 | p. 3 | 122570120/1 | 32 | 1 | p. 3 | 381005225/0 | 4 | 1 | p. 7 | | |
| 9943-0516-16 | 36 | 4 | p. 3 | 122753000/0 | 34 | 2 | p. 3 | 381005227/0 | 7 | 2 | p. 7 | | |
| 9943-0516-16 | 39 | 1 | p. 3 | 125430202/0 | 13 | 2 | p. 7 | 381005229/0 | 9 | 2 | p. 7 | | |
| 112139100/0 | 14 | 1 | p. 13 | 133320504/0 | 36 | 1 | p. 7 | 381007498/0 | 1 | 2 | p. 9 | | |
| 112154510/0 | 3 | 2 | p. 11 | 135063802/0 | 29 | 1 | p. 3 | 381007578/0 | 16 | 1 | p. 7 | | |
| 112154510/0 | 13 | 1 | p. 13 | 181003118/0 | 28 | 1 | p. 3 | 381007801/0 | 5 | 2 | p. 9 | | |
| 112154510/0 | 15 | 6 | p. 7 | 181003490/0 | 31 | 1 | p. 7 | 381008155/0 | 5 | 1 | p. 15 | | |
| 112154510/0 | 25 | 1 | p. 3 | 181004414/0 | 16 | 1 | p. 13 | 381030118/0 | 21 | 1 | p. 7 | | |
| 112155000/0 | 3 | 2 | p. 9 | 181005540/0 | 33 | 1 | p. 7 | 381030123/0 | 20 | 2 | p. 7 | | |
| 112155000/0 | 9 | 3 | p. 13 | 181006431/0 | 7 | 1 | p. 15 | 381207230/0 | 1 | 1 | p. 13 | | |
| 112436051/0 | 5 | 2 | p. 3 | 181030088/0 | 22 | 1 | p. 7 | 381302901/0 | 1 | 1 | p. 3 | | |
| 112508125/0 | 17 | 1 | p. 13 | 181102378/0 | 14 | 1 | p. 15 | 381302905/0 | 26 | 1 | p. 3 | | |
| 112521330/0 | 5 | 2 | p. 11 | 322034006/0 | 9 | 1 | p. 11 | 381393703/0 | 2 | 1 | p. 5 | | |
| 112521330/0 | 28 | 1 | p. 7 | 322038407/0 | 27 | 2 | p. 3 | | | | | | |
| 112521350/0 | 2 | 2 | p. 9 | 322055334/0 | 18 | 1 | p. 3 | | | | | | |
| 112521350/0 | 8 | 3 | p. 13 | 322060270/1 | 1 | 1 | p. 11 | | | | | | |
| 112523040/0 | 24 | 1 | p. 3 | 322108320/0 | 14 | 1 | p. 11 | | | | | | |
| 112523080/0 | 18 | 1 | p. 13 | 322109578/0 | 10 | 1 | p. 11 | | | | | | |
| 112608600/0 | 40 | 4 | p. 3 | 322109579/0 | 3 | 2 | p. 15 | | | | | | |
| 112727784/0 | 11 | 1 | p. 7 | 322109580/0 | 12 | 1 | p. 3 | | | | | | |
| 112727786/0 | 12 | 1 | p. 7 | 322109581/0 | 8 | 2 | p. 15 | | | | | | |
| 112727799/0 | 14 | 4 | p. 7 | 322109582/0 | 11 | 2 | p. 15 | | | | | | |
| 112727801/0 | 11 | 1 | p. 13 | 322110796/0 | 4 | 2 | p. 9 | | | | | | |
| 112728210/0 | 3 | 1 | p. 13 | 322110797/0 | 6 | 2 | p. 9 | | | | | | |
| 112728210/0 | 15 | 4 | p. 11 | 322110798/0 | 9 | 4 | p. 9 | | | | | | |
| 112728696/0 | 26 | 2 | p. 7 | 322140247/0 | 13 | 1 | p. 11 | | | | | | |
| 112728697/0 | 2 | 1 | p. 11 | 322192002/0 | 34 | 1 | p. 7 | | | | | | |
| 112728697/0 | 3 | 4 | p. 3 | 322226240/0 | 3 | 1 | p. 5 | | | | | | |
| 112728697/0 | 4 | 2 | p. 5 | 322246106/0 | 8 | 2 | p. 7 | | | | | | |
| 112728697/0 | 11 | 6 | p. 3 | 322250014/0 | 4 | 3 | p. 13 | | | | | | |
| 112728697/0 | 18 | 1 | p. 11 | 322393753/0 | 12 | 1 | p. 15 | | | | | | |
| 112728699/0 | 5 | 2 | p. 5 | 322393756/0 | 6 | 1 | p. 5 | | | | | | |
| 112728699/0 | 19 | 3 | p. 3 | 322394534/0 | 8 | 1 | p. 3 | | | | | | |
| 112728713/0 | 9 | 4 | p. 15 | 322394535/0 | 9 | 1 | p. 3 | | | | | | |
| 112728713/0 | 19 | 2 | p. 7 | 322394536/0 | 13 | 1 | p. 15 | | | | | | |
| 112735645/0 | 16 | 2 | p. 11 | 322394540/0 | 23 | 2 | p. 7 | | | | | | |
| 112735651/0 | 32 | 1 | p. 7 | 322486452/0 | 15 | 1 | p. 15 | | | | | | |
| 112735654/0 | 6 | 4 | p. 11 | 322500111/0 | 1 | 1 | p. 5 | | | | | | |
| 112735664/0 | 6 | 10 | p. 7 | 322545147/0 | 35 | 2 | p. 3 | | | | | | |
| 112735664/0 | 8 | 6 | p. 11 | 322551536/0 | 2 | 1 | p. 13 | | | | | | |
| 112735664/0 | 38 | 1 | p. 3 | 322551639/0 | 10 | 1 | p. 7 | | | | | | |
| 112736815/0 | 19 | 1 | p. 13 | 322551678/0 | 6 | 1 | p. 15 | | | | | | |
| 112815205/0 | 4 | 2 | p. 11 | 322600310/0 | 12 | 1 | p. 11 | | | | | | |
| 112815270/0 | 21 | 1 | p. 3 | 322600333/0 | 8 | 2 | p. 9 | | | | | | |
| 114367494/2 | 7 | 1 | p. 5 | 322600334/0 | 7 | 2 | p. 9 | | | | | | |
| 118390020/0 | 35 | 1 | p. 7 | 322602027/0 | 17 | 1 | p. 3 | | | | | | |
| 119035000/0 | 17 | 1 | p. 11 | 322602029/0 | 41 | 1 | p. 3 | | | | | | |
| 119216035/0 | 33 | 2 | p. 3 | 322602031/0 | 16 | 1 | p. 3 | | | | | | |
| 122160400/0 | 17 | 1 | p. 13 | 322672201/0 | 6 | 3 | p. 13 | | | | | | |
| 122170846/0 | 12 | 1 | p. 13 | 322722820/0 | 25 | 2 | p. 7 | | | | | | |
| 122170850/0 | 7 | 3 | p. 13 | 322722821/0 | 24 | 2 | p. 7 | | | | | | |
| 122430313/0 | 29 | 1 | p. 7 | 322735592/0 | 14 | 1 | p. 3 | | | | | | |
| 122430318/0 | 37 | 1 | p. 7 | 322778475/0 | 20 | 1 | p. 3 | | | | | | |
| 122450439/0 | 10 | 1 | p. 13 | 322778489/0 | 37 | 1 | p. 3 | | | | | | |
| 122450478/0 | 30 | 1 | p. 3 | 322778493/0 | 7 | 1 | p. 11 | | | | | | |
| 122450480/0 | 22 | 1 | p. 3 | 322785305/1 | 2 | 2 | p. 3 | | | | | | |
| 122450482/0 | 4 | 2 | p. 15 | 322806650/0 | 17 | 1 | p. 7 | | | | | | |
| 122450484/0 | 13 | 1 | p. 3 | 322806651/0 | 18 | 1 | p. 7 | | | | | | |
| 122450485/0 | 1 | 1 | p. 15 | 322869697/0 | 4 | 1 | p. 3 | | | | | | |
| 122465638/1 | 15 | 1 | p. 13 | 322869723/0 | 10 | 1 | p. 3 | | | | | | |
| 122517873/0 | 23 | 1 | p. 3 | 325774220/0 | 10 | 2 | p. 15 | | | | | | |
| 122517884/0 | 2 | 1 | p. 15 | 381003496/0 | 30 | 1 | p. 7 | | | | | | |
| 122517885/0 | 5 | 2 | p. 7 | 381004825/0 | 11 | 1 | p. 11 | | | | | | |
| 122519816/0 | 5 | 3 | p. 13 | 381004838/0 | 42 | 1 | p. 3 | | | | | | |
| 122519823/0 | 6 | 2 | p. 3 | 381005219/0 | 1 | 1 | p. 7 | | | | | | |
| | | | | 381005221/0 | 2 | 1 | p. 7 | | | | | | |