



## **Reservdelskatalog Parts Catalogue**

# ***TURBO 48 SEVQ B***

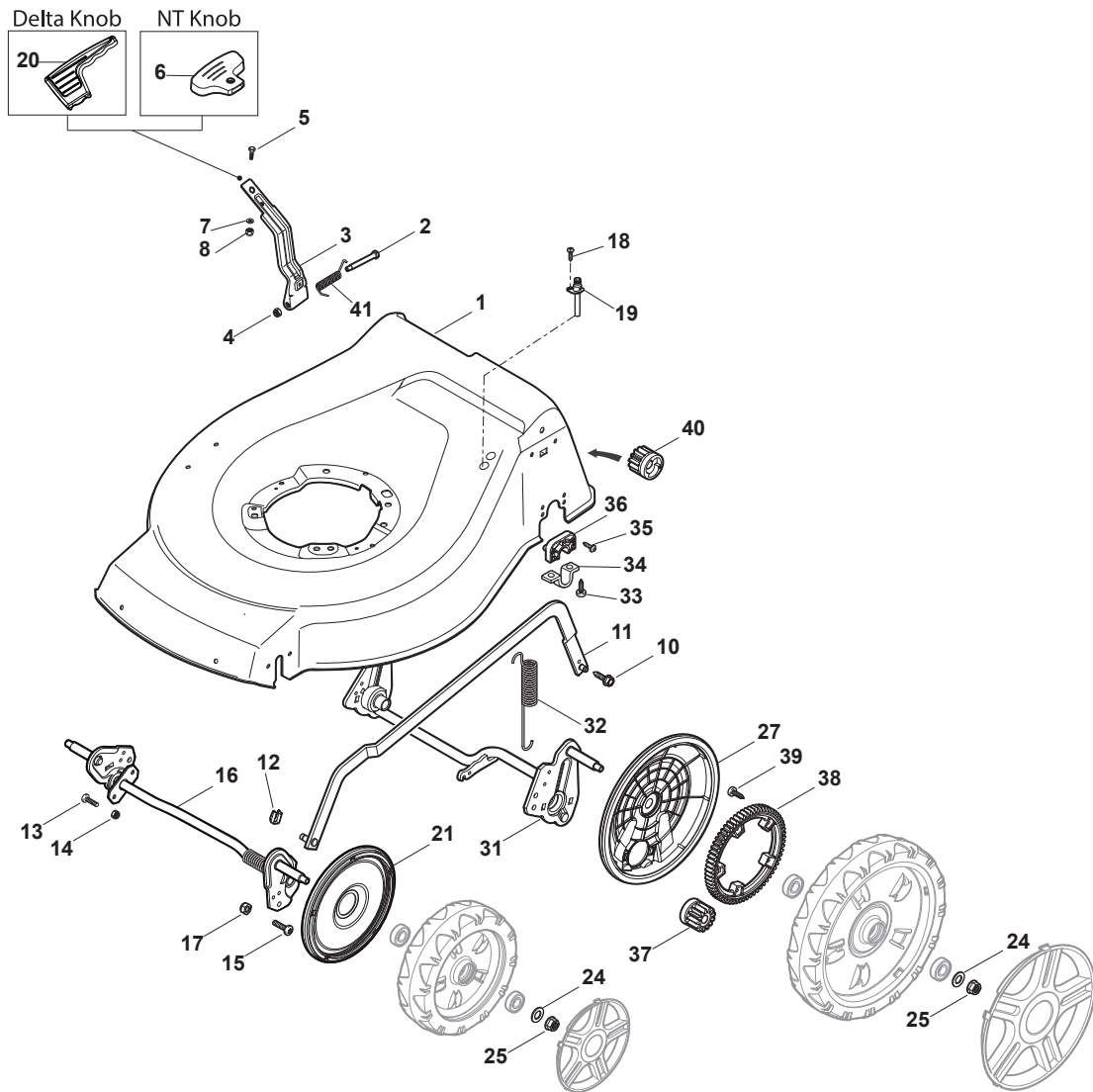
**299487528/S16 - Season 2016**

- Use GLOBAL GARDEN PRODUCT Genuine Spare Parts specified in the parts list for repair and/or replacement.
  - The contents described in the parts list may change due to improvement.
  - The drawings of the spare parts are only indicative and might not represent the part in question exactly.
  - The indications "right" - "left" - "front" - "rear" refer to the position of the operator when using the machine.
- When placing orders of parts for repair and/or replacement, make sure that the illustrated parts list is the one applying to the machine's year of manufacture, as shown on the identification plate attached to the machine.

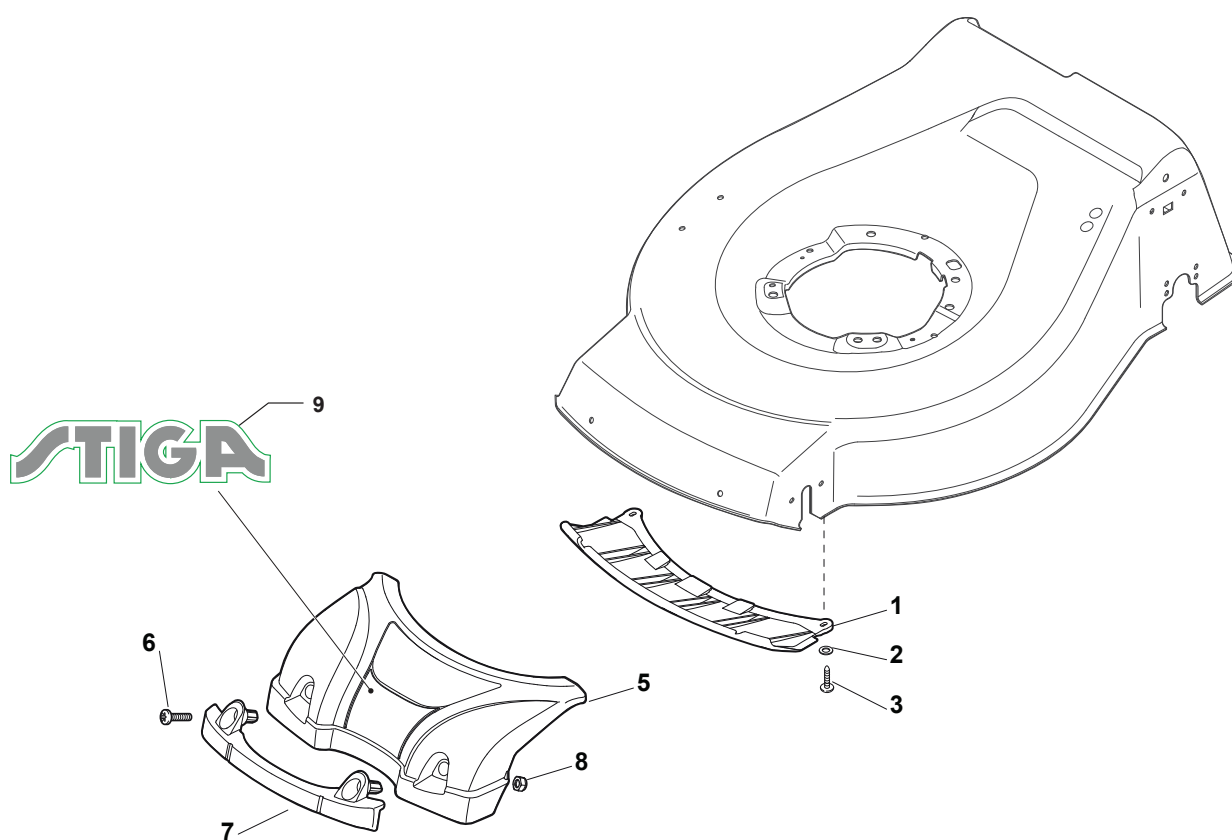
© Copyright 2016 Global Garden Products

All rights reserved. No part of this material may be reproduced or transmitted, in any form or by any means, electronic or mechanical, including photocopying, recording or by any information storage and retrieval system, without permission in writing from GLOBAL GARDEN PRODUCTS.

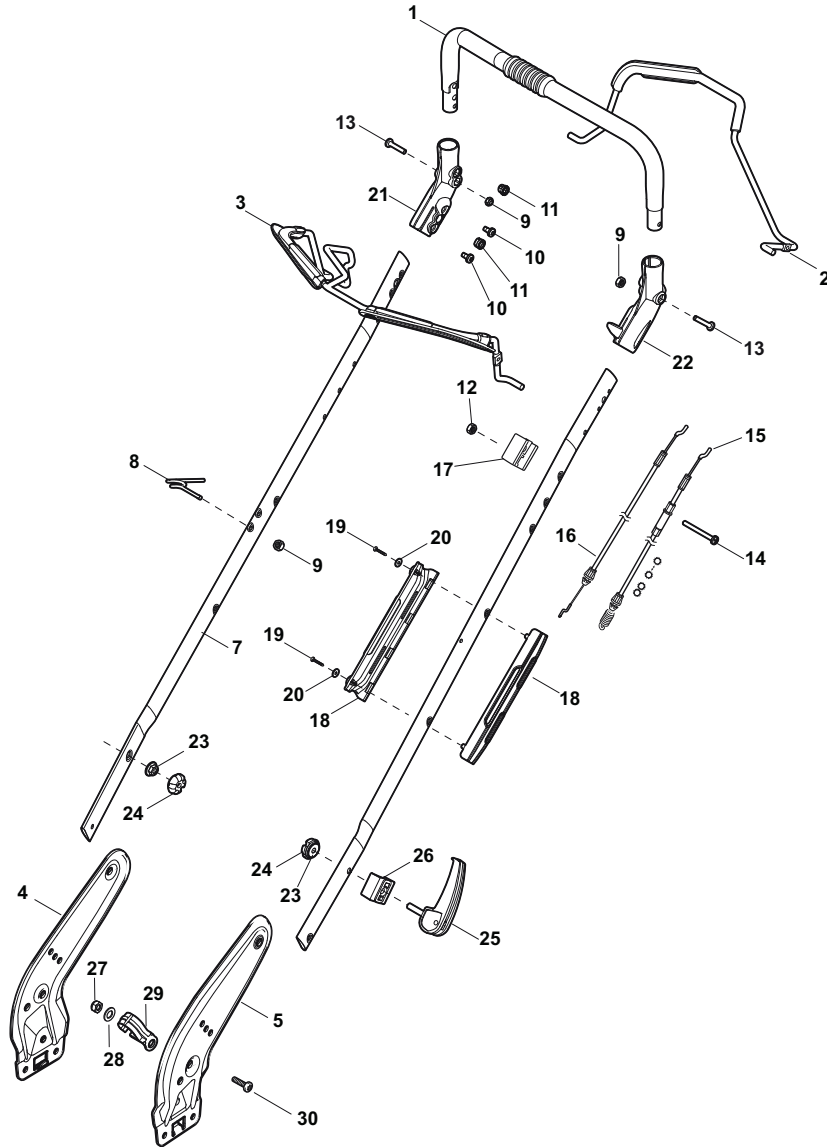
[www.stiga.com](http://www.stiga.com)



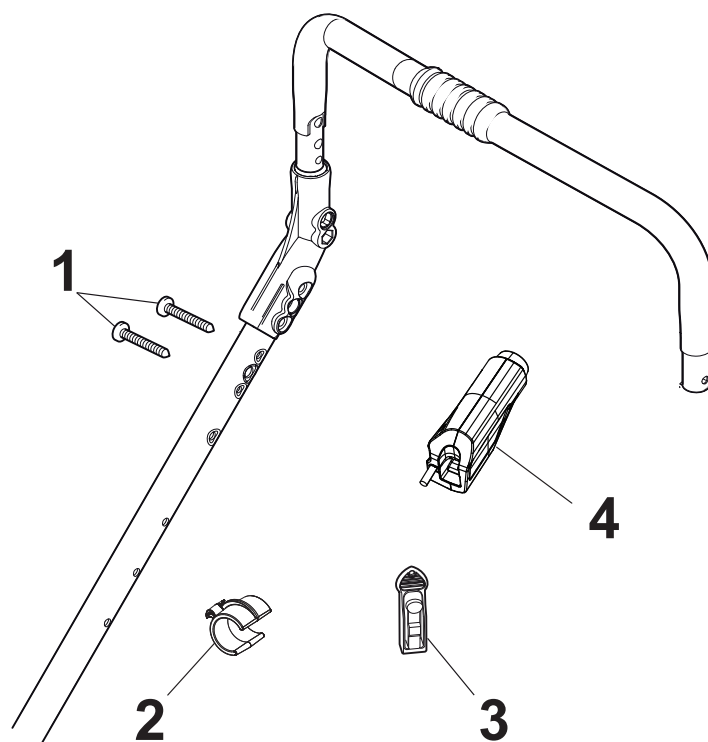
Utgåva Issue 7 - 2016		Kapa och höjdställning		Deck And Height Adjusting	
Pos. Fig.	Antal Q.ty	Art nr Part No	Benämning	Description	Anmärkning Notes
1	1	381004731/0	Chassi-gra	Grey Deck	
2	1	122534131/0	Stift	Pin	
3	1	381003398/0	Höjdställningsspak	Lever, Height Adjustment	
4	1	112154510/0	Mutter	Nut	
5	1	112788512/0	Skruv	Screw	
6	1	322394503/0	Knopp.Kontroll.Spak Svart.	Knob	NT Knob
7	1	112521310/0	Bricka	Washer	
8	1	112150000/0	Mutter	Nut	
10	1	122943013/0	Skruv	Screw	
11	1	381002030/0	Höjdställningsstag	Rod, Height Adjustment	
12	1	112436051/0	Plat	Plate	
13	3	112727803/0	Skruv	Screw	
14	3	112154510/0	Mutter	Nut	
15	1	112727801/0	Skruv	Screw	
16	1	381002883/1	Hjulaxel-fram	Front Wheel Axle	
17	1	112154510/0	Mutter	Nut	
18	1	112728450/0	Skruv	Screw	
19	1	322034002/0	Tvättanslutning Nt (Svart)	Washing Connection	
20	1	322394522/0	Knopp.Kontroll.Spak Svart.	Knob	Delta Knob
21	2	322600145/0	Hjulskydd	Protection, Wheel	
24	4	112521350/0	Bricka	Washer	
25	4	112155000/0	Mutter	Nut	
27	2	322600208/0	Hjulskydd	Protection, Wheel	
31	1	381302835/1	Hjulaxel-bakre	Axle, Rear Wheels	
32	1	122450460/0	Fjäder	Spring	
33	4	112728697/0	Skruv	Screw	
34	2	322545152/0	Plat	Plate	
35	4	112728697/0	Skruv	Screw	
36	2	322785304/1	Fäste	Support	
37	1	122570134/0	Drev	Left Pinion	
38	2	322120115/0	Drev	Wheels Crown	
39	6	112728706/0	Skruv	Screw	
40	1	122570133/0	Drev	Right Pinion	
41	1	122446192/0	Fjäder	Spring	



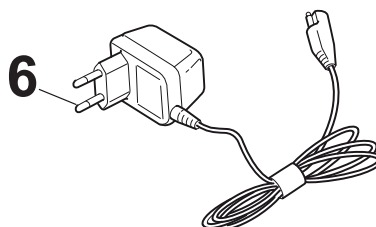
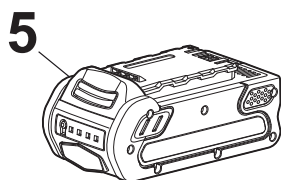
Utgåva Issue 7 - 2016		Mask			
Pos. Fig.	Antal Q.ty	Art nr Part No	Benämning	Description	Anmärkning Notes
1	1	322500102/0	Front	Front Combi	
2	2	112523000/1	Bricka	Washer	
3	2	112728124/0	Skruv	Screw	
5	1	322226195/0	Front Stiga Nt48 gra Ncs S8000-N	Mask, Grey	
6	2	112727799/0	Skruv	Screw	
7	1	322393639/0	Handtag, främre Gra Ral9022 Ntd	Handle, Grey	
8	2	112154510/0	Mutter	Nut	
9	1	114367494/2	Dekal STIGA logo	Label STIGA logo	



Utgåva Issue 7 - 2016		Reglage, övre Handle, Upper Part			
Pos. Fig.	Antal Q.ty	Art nr Part No	Benämning	Description	Anmärkning Notes
4	1	381005185/0	Fäste-hö	Right Bracket	Stiga Grey
5	1	381005187/0	Fäste-vä	Left Bracket	Stiga Grey
3	1	381003472/0	Reglagebygel	Lever, Engine Brake	Black
1	1	381006670/2	Styrrör	Handle Tube	
2	1	381003349/0	Bygel Drivning	Lever, Driving	
7	2	381006774/1	Stump Handtag Dm X Nt Astral gra	Handle Grey	
8	1	122430309/0	Fjäder	Spring	
9	2	112154330/0	Mutter	Nut	
10	4	112735662/1	Skruv	Screw	
11	4	322041967/1	Bussning	Bushing	
12	3	112154510/0	Mutter	Nut	
13	2	112728721/0	Skruv	Screw	
14	1	112727784/0	Skruv	Screw	
15	1	381030097/0	Drivwire	Cable Rear Drive	
16	1	181030099/0	Motorbromswire	Cable, Thread Engine Brake	
17	1	322551639/0	Plat	Fixed Plate	
18	1	322806644/0	Skydd	Protection	
19	2	112727812/0	Skruv	Screw	
20	2	112523000/1	Bricka	Washer	
21	1	322488301/0	Joining Bussning Ho	Joint Sleeve Grey Right	
22	1	322488303/0	Joining Bussning Va	Joint Sleeve Grey Left	
23	2	112154220/0	Mutter	Nut	
24	2	322399835/0	Handtagsknopp	Knob	
25	2	381003253/0	övre Lock Handtag Spak Ntd	Handle	
26	2	322680017/0	Bricka	Washer	
27	1	112155000/0	Mutter	Nut	
28	1	125038002/1	Bussning	Bushing	
29	1	322192156/0	Fairlead Hallareklämma	Clip	
30	1	112760605/0	Skruv	Screw	

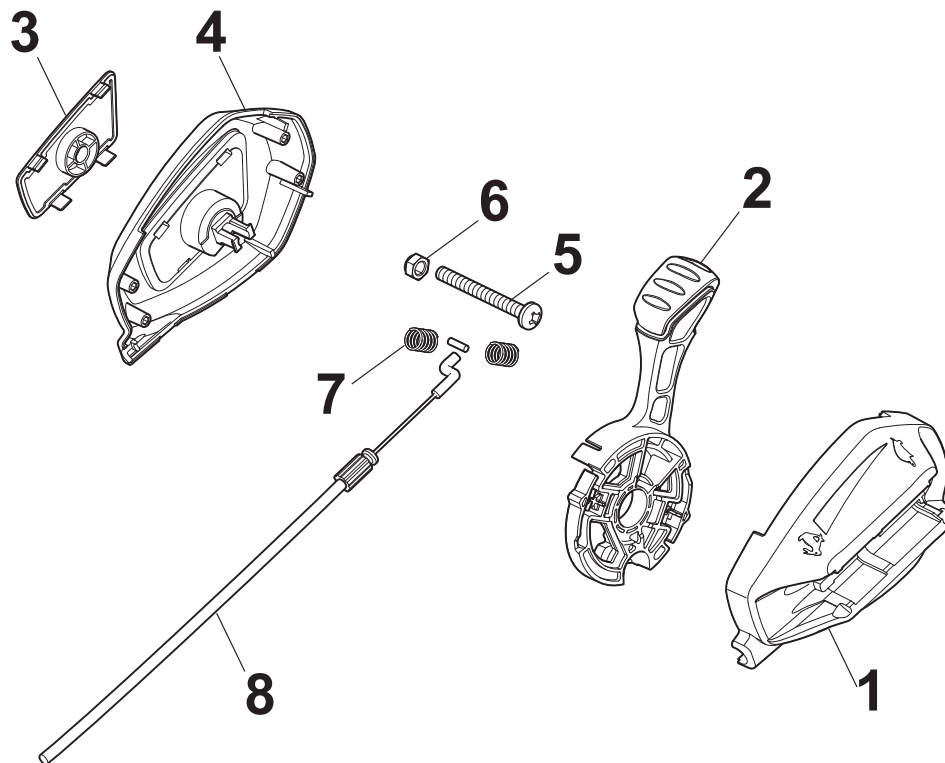


Battery for B&S 675-775 IS (fix RPM)

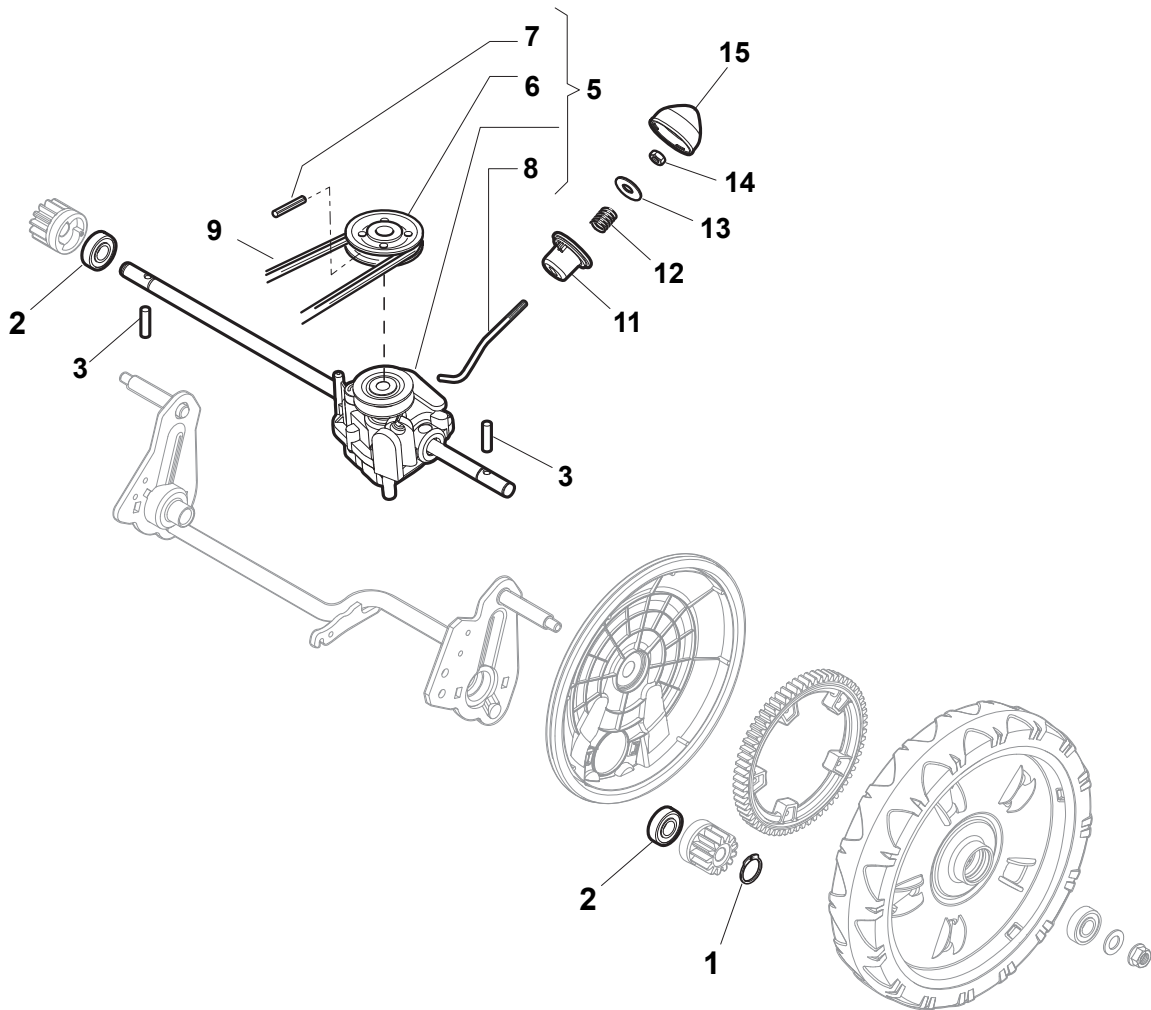




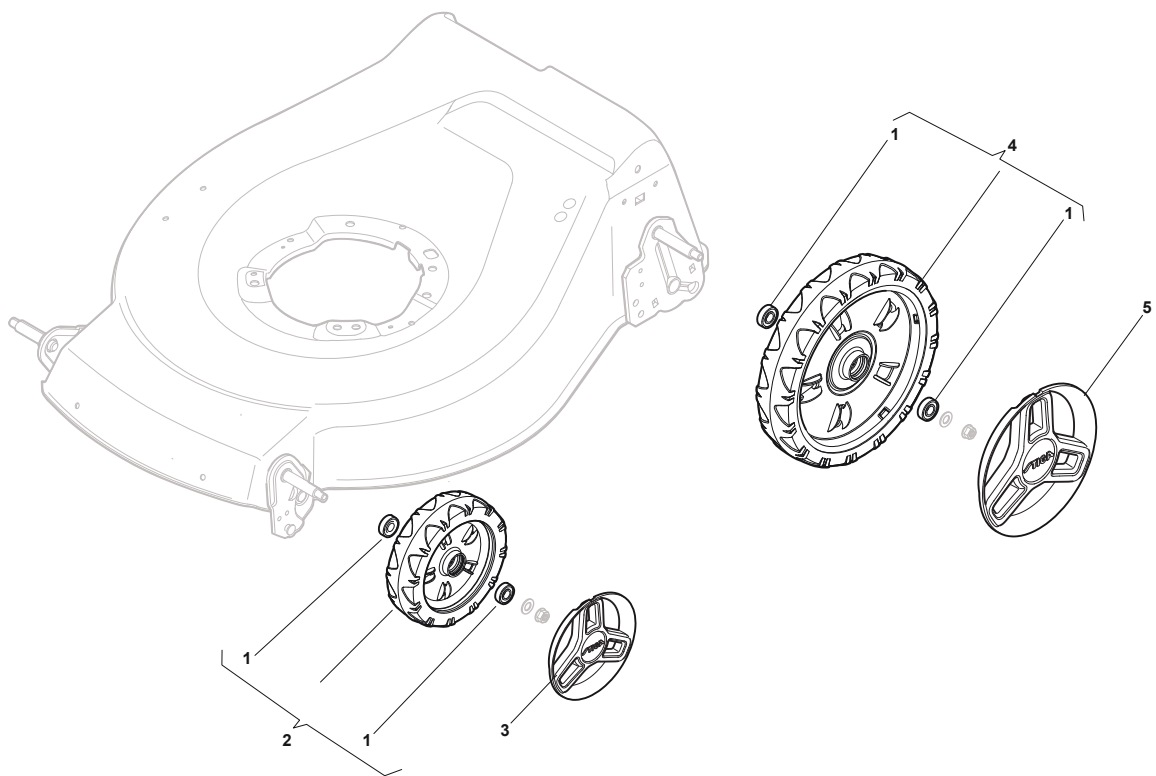
Utgåva Issue 7 - 2016		Electric Start Controls		Electric Start Controls	
Pos. Fig.	Antal Q.ty	Art nr Part No	Benämning	Description	Anmärkning Notes
1	1	112728300/0	Skruv	Screw	with Varietor
1	1	112728702/0	Skruv	Screw	without Varietor
2	1	133320022/0	Klämma	Fastpoint Clamp Art.0384.Aa01	
3	1	322076570/1	Batterisäkerhetsnyckel	Battery Safety Key	
4	1	381600400/0	Brytare	Switch	
5	1	118120061/0	Batteri	Battery	
6	1	118204136/0	Batteriladdare	Battery Charger	CE plugg
6	1	118204137/0	Batteriladdare	Battery Charger	UK plugg



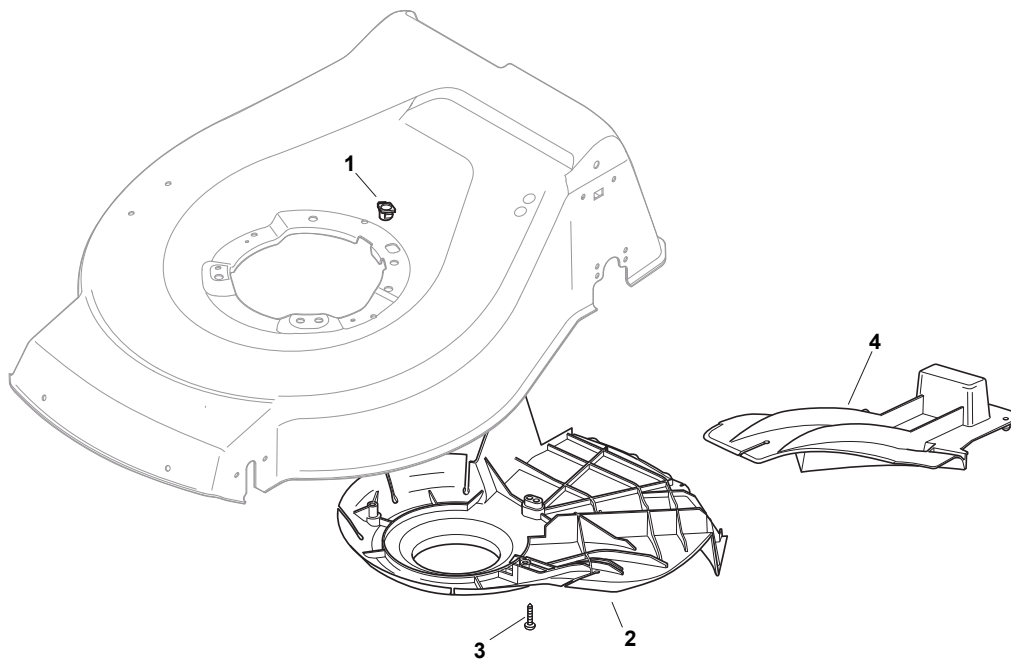
Utgåva Issue 7 - 2016		Reglage Controls			
Pos. Fig.	Antal Q.ty	Art nr Part No	Benämning	Description	Anmärkning Notes
1	1	322722817/0	Front Handtag kpl	External Protection	
2	1	381007227/0	Variator Lever Assy	Variator Lever Assy	
3	1	322820086/0	Plugg	Cap	
4	1	322722816/0	Front Handtag kpl	Internal Protection	
5	1	112727788/0	Skruv	Screw	
6	1	112154510/0	Mutter	Nut	
7	2	122450487/0	Fjäder	Spring	
8	1	381030109/0	Variator Cable	Variator Cable	



Utgåva Issue 7 - 2016		Bakhjulsdrivning		Transmission	
Pos. Fig.	Antal Q.ty	Art nr Part No	Benämning	Description	Anmärkning Notes
6	1	122601909/0	Remskiva	Pulley	
1	2	112608600/0	Segersäkringsåkring Sga12	Seeger	
2	2	119216035/0	Lager	Bearing	
3	2	122753000/0	Spännstift	Pin	
5	1	181003076/1	Transmission	Gear Box	
7	1	112645700/0	Spännstift	Elastic Pin	
8	1	122033283/0	Justerstang	Adjustment Rod	
9	1	135063800/0	Drivrem	Trapezoidal Belt	
11	1	122041957/1	Bussning	Bushing	
12	1	122450063/0	Fjäder	Spring	
13	1	322680009/0	Bricka	Washer	
14	1	112154510/0	Mutter	Nut	
15	1	122110230/0	Navkapsel	Hub Cover	

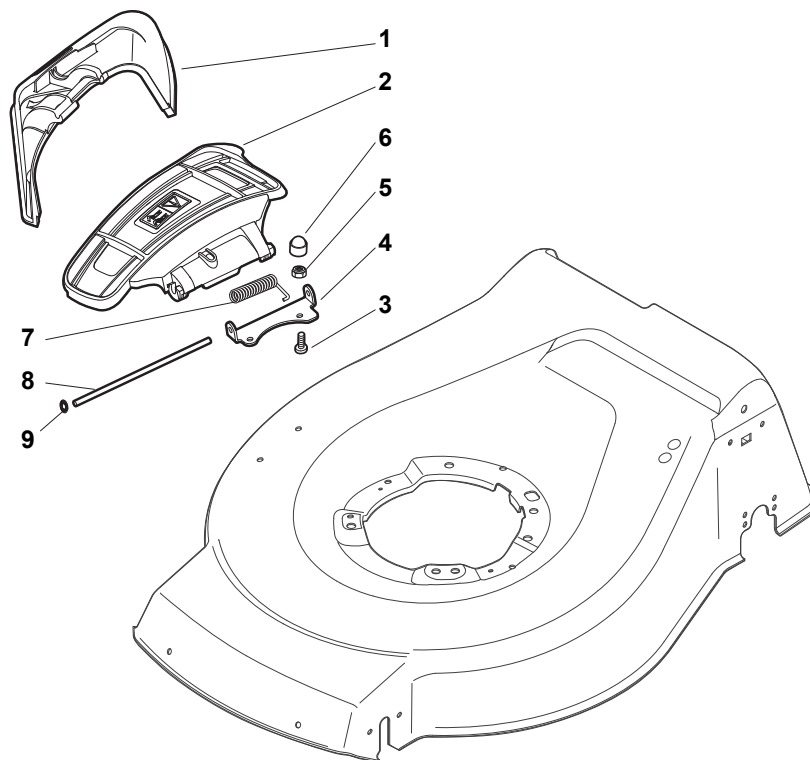


Utgåva Issue 7 - 2016		Hjul och navkapsel Wheels and Hub Caps			
Pos. Fig.	Antal Q.ty	Art nr Part No	Benämning	Description	Anmärkning Notes
1	8	119216035/0	Lager	Bearing	
2	4	381007416/2	Hjul	Wheel	
3	2	322110755/0	Navkapsel Gra	Hub Cap Grey	
4	2	381007417/2	Hjul	Wheel	
5	2	322110746/0	Navkapsel	Hub Cap Grey	

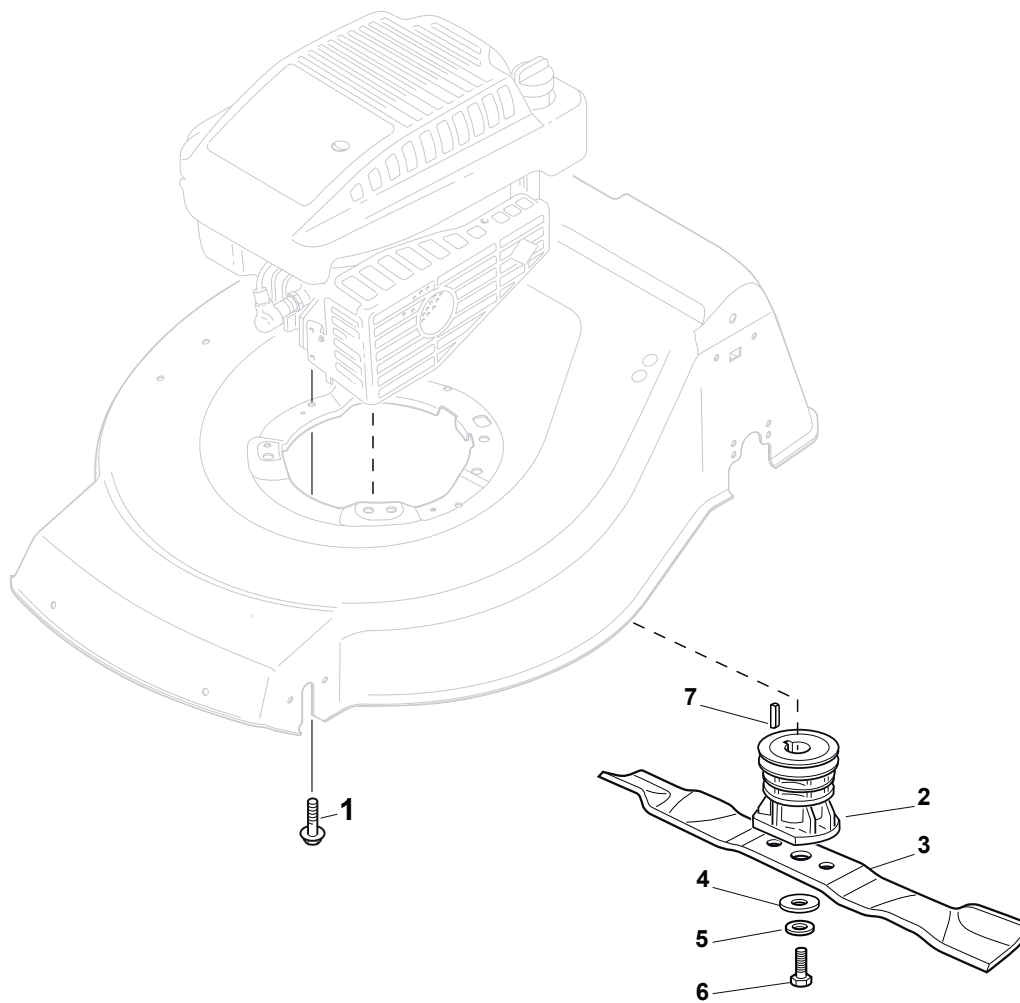




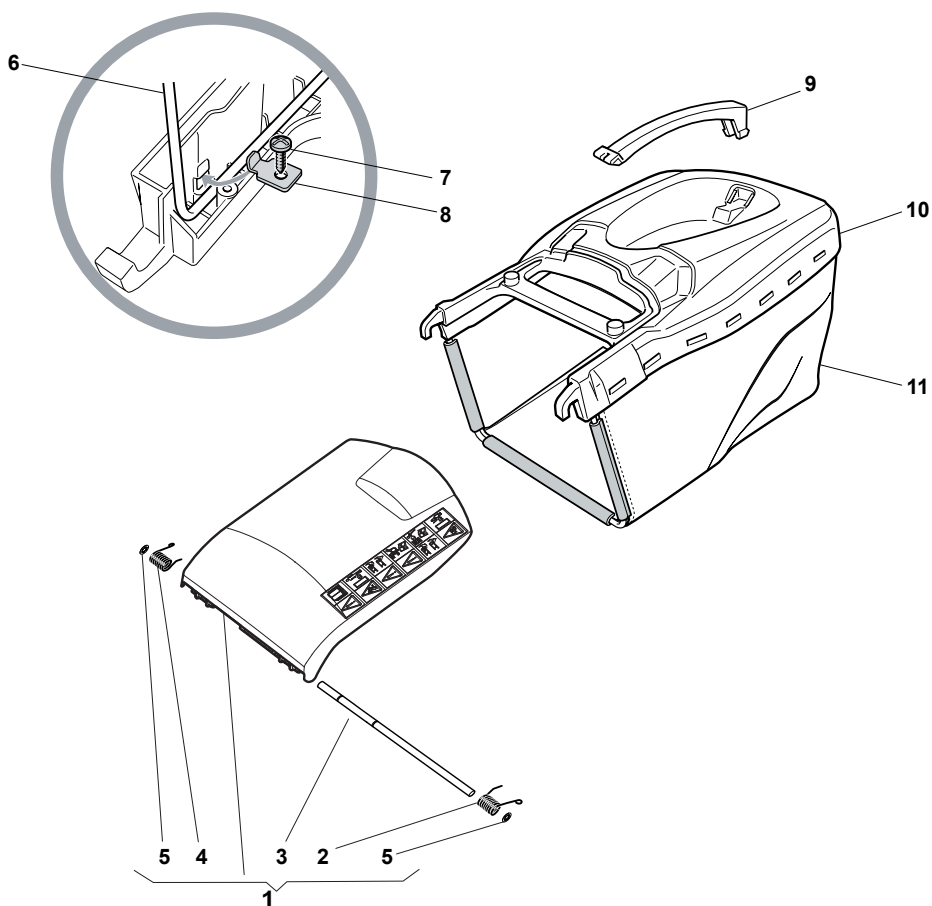
Utgåva Issue 7 - 2016		Remskydd Protection, Belt			
Pos. Fig.	Antal Q.ty	Art nr Part No	Benämning	Description	Anmärkning Notes
1	1	322291150/0	Gummihylsa	Rubber Insert	
2	1	322060198/1	Remskydd	Belt Protection	
3	3	112728531/1	Skruv	Screw	
4	1	322140223/0	Mulchplugg	Deflector	



Utgåva Issue 7 - 2016		Utkastskydd Ejection-Guard			
Pos. Fig.	Antal Q.ty	Art nr Part No	Benämning	Description	Anmärkning Notes
8	1	122517869/1	Stift	Pin	
1	1	322108295/1	Utkastskydd	Side Ejection Conveyor	
2	1	322600313/0	Utkastskydd	Ejection Guard	
3	2	112727803/0	Skruv	Screw	
4	1	322806639/0	Fäste	Fulcrum Pin	
5	2	112154510/0	Mutter	Nut	
6	2	118203853/0	Lock	Cap	
7	1	122450456/0	Fjäder	Spring	
9	2	112604896/0	Starlock P6493 6	Crown Fastener	



Utgåva Issue 7 - 2016		Kniv Blade			
Pos. Fig.	Antal Q.ty	Art nr Part No	Benämning	Description	Anmärkning Notes
1	3	112735108/1	Skruv	Screw	
2	1	122465607/3	Knivfäste D22,2	Hub With Pulley, Crankshaft Ø 22,2	
3	1	181004397/0	Kniv	Blade Winged	
4	1	122160400/0	Fjäderbricka	Elastic Disc	
5	1	112523080/0	Bricka	Washer	
6	1	112735698/0	Skruv	Screw	
7	1	112139100/0	Kil	Key	



Utgåva Issue 7 - 2016		Gräsuppsamlare Grass-Catcher			
Pos. Fig.	Antal Q.ty	Art nr Part No	Benämning	Description	Anmärkning Notes
1	1	381008129/0	Lucka-gul	Stone Guard, Yellow	Yellow
2	1	122450466/0	Fjäder	Left Spring	
3	1	122517882/0	Stift	Pin	
4	1	122450465/0	Fjäder	Right Spring	
5	2	112604899/0	Starlock	Crown Fastener	
6	1	122608505/0	Tradbygel	Stiffening	
7	2	112728680/0	Skruv	Screw	
8	2	322545159/0	Plat	Plate	
9	1	322393721/0	Handtag	Handle	Grey
10	1	381486031/0	Uppsaml.Överdel	Grass-Box, Upper	Grey
11	1	181002345/0	Uppsamlingsäck	Box, Fabric	

code	pos.	q.ty	page								
112139100/0	7	1	p. 21	122517869/1	8	1	p. 19	381302835/1	31	1	p. 3
112150000/0	8	1	p. 3	122517882/0	3	1	p. 23	381486031/0	10	1	p. 23
112154220/0	23	2	p. 7	122534131/0	2	1	p. 3	381600400/0	4	1	p. 9
112154330/0	9	2	p. 7	122570133/0	40	1	p. 3				
112154510/0	4	1	p. 3	122570134/0	37	1	p. 3				
112154510/0	5	2	p. 19	122601909/0	6	1	p. 13				
112154510/0	6	1	p. 11	122608505/0	6	1	p. 23				
112154510/0	8	2	p. 5	122753000/0	3	2	p. 13				
112154510/0	12	3	p. 7	122943013/0	10	1	p. 3				
112154510/0	14	1	p. 13	125038002/1	28	1	p. 7				
112154510/0	14	3	p. 3	133320022/0	2	1	p. 9				
112154510/0	17	1	p. 3	135063800/0	9	1	p. 13				
112155000/0	25	4	p. 3	181002345/0	11	1	p. 23				
112155000/0	27	1	p. 7	181003076/1	5	1	p. 13				
112436051/0	12	1	p. 3	181004397/0	3	1	p. 21				
112521310/0	7	1	p. 3	181030099/0	16	1	p. 7				
112521350/0	24	4	p. 3	322034002/0	19	1	p. 3				
112523000/1	2	2	p. 5	322041967/1	11	4	p. 7				
112523000/1	20	2	p. 7	322060198/1	2	1	p. 17				
112523080/0	5	1	p. 21	322076570/1	3	1	p. 9				
112604896/0	9	2	p. 19	322108295/1	1	1	p. 19				
112604899/0	5	2	p. 23	322110746/0	5	2	p. 15				
112608600/0	1	2	p. 13	322110755/0	3	2	p. 15				
112645700/0	7	1	p. 13	322120115/0	38	2	p. 3				
112727784/0	14	1	p. 7	322140223/0	4	1	p. 17				
112727788/0	5	1	p. 11	322192156/0	29	1	p. 7				
112727799/0	6	2	p. 5	322226195/0	5	1	p. 5				
112727801/0	15	1	p. 3	322291150/0	1	1	p. 17				
112727803/0	3	2	p. 19	322393639/0	7	1	p. 5				
112727803/0	13	3	p. 3	322393721/0	9	1	p. 23				
112727812/0	19	2	p. 7	322394503/0	6	1	p. 3				
112728124/0	3	2	p. 5	322394522/0	20	1	p. 3				
112728300/0	1	1	p. 9	322399835/0	24	2	p. 7				
112728450/0	18	1	p. 3	322488301/0	21	1	p. 7				
112728531/1	3	3	p. 17	322488303/0	22	1	p. 7				
112728680/0	7	2	p. 23	322500102/0	1	1	p. 5				
112728697/0	33	4	p. 3	322545152/0	34	2	p. 3				
112728697/0	35	4	p. 3	322545159/0	8	2	p. 23				
112728702/0	1	1	p. 9	322551639/0	17	1	p. 7				
112728706/0	39	6	p. 3	322600145/0	21	2	p. 3				
112728721/0	13	2	p. 7	322600208/0	27	2	p. 3				
112735108/1	1	3	p. 21	322600313/0	2	1	p. 19				
112735662/1	10	4	p. 7	322680009/0	13	1	p. 13				
112735698/0	6	1	p. 21	322680017/0	26	2	p. 7				
112760605/0	30	1	p. 7	322722816/0	4	1	p. 11				
112788512/0	5	1	p. 3	322722817/0	1	1	p. 11				
114367494/2	9	1	p. 5	322785304/1	36	2	p. 3				
118120061/0	5	1	p. 9	322806639/0	4	1	p. 19				
118203853/0	6	2	p. 19	322806644/0	18	1	p. 7				
118204136/0	6	1	p. 9	322820086/0	3	1	p. 11				
118204137/0	6	1	p. 9	381002030/0	11	1	p. 3				
119216035/0	1	8	p. 15	381002883/1	16	1	p. 3				
119216035/0	2	2	p. 13	381003253/0	25	2	p. 7				
122033283/0	8	1	p. 13	381003349/0	2	1	p. 7				
122041957/1	11	1	p. 13	381003398/0	3	1	p. 3				
122110230/0	15	1	p. 13	381003472/0	3	1	p. 7				
122160400/0	4	1	p. 21	381004731/0	1	1	p. 3				
122430309/0	8	1	p. 7	381005185/0	4	1	p. 7				
122446192/0	41	1	p. 3	381005187/0	5	1	p. 7				
122450063/0	12	1	p. 13	381006670/2	1	1	p. 7				
122450456/0	7	1	p. 19	381006774/1	7	2	p. 7				
122450460/0	32	1	p. 3	381007227/0	2	1	p. 11				
122450465/0	4	1	p. 23	381007416/2	2	4	p. 15				
122450466/0	2	1	p. 23	381007417/2	4	2	p. 15				
122450487/0	7	2	p. 11	381008129/0	1	1	p. 23				
122465607/3	2	1	p. 21	381030097/0	15	1	p. 7				
				381030109/0	8	1	p. 11				