



Reservdelskatalog Parts Catalogue

MULTICLIP 50 E

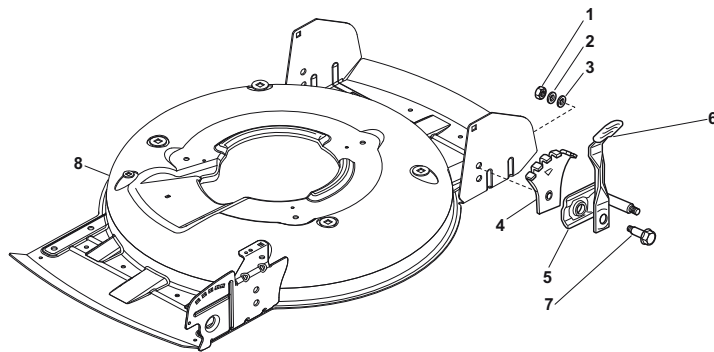
291500668/S16 - Season 2016

- Use GLOBAL GARDEN PRODUCT Genuine Spare Parts specified in the parts list for repair and/or replacement.
 - The contents described in the parts list may change due to improvement.
 - The drawings of the spare parts are only indicative and might not represent the part in question exactly.
 - The indications "right" - "left" - "front" - "rear" refer to the position of the operator when using the machine.
- When placing orders of parts for repair and/or replacement, make sure that the illustrated parts list is the one applying to the machine's year of manufacture, as shown on the identification plate attached to the machine.

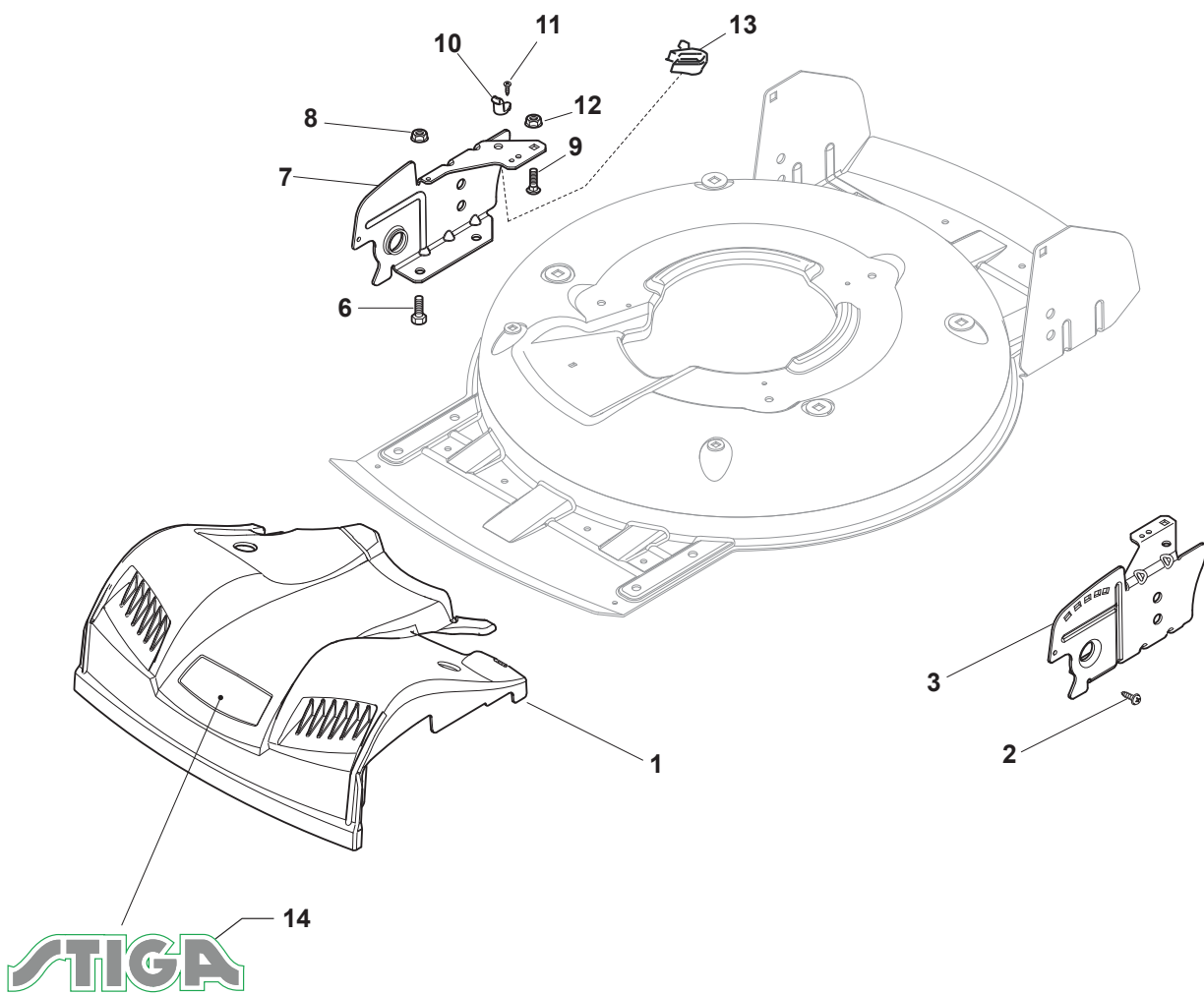
© Copyright 2016 Global Garden Products

All rights reserved. No part of this material may be reproduced or transmitted, in any form or by any means, electronic or mechanical, including photocopying, recording or by any information storage and retrieval system, without permission in writing from GLOBAL GARDEN PRODUCTS.

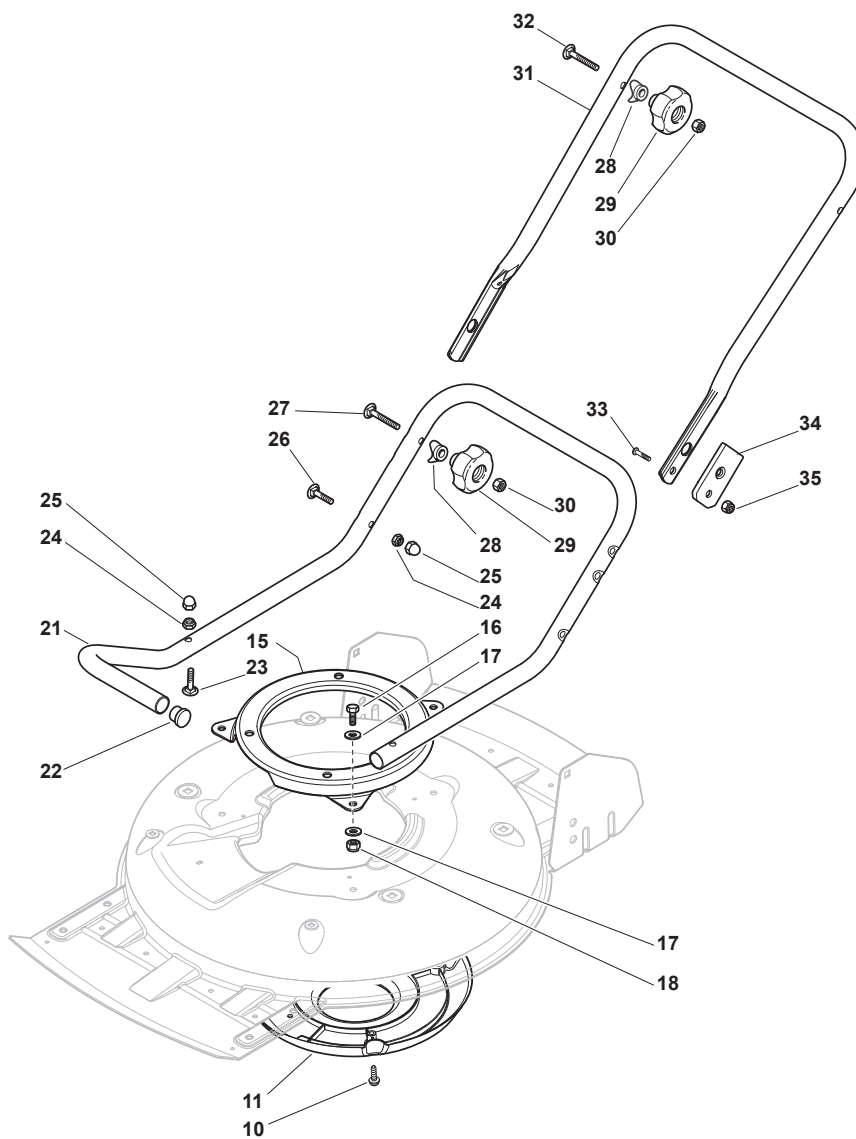
www.stiga.com



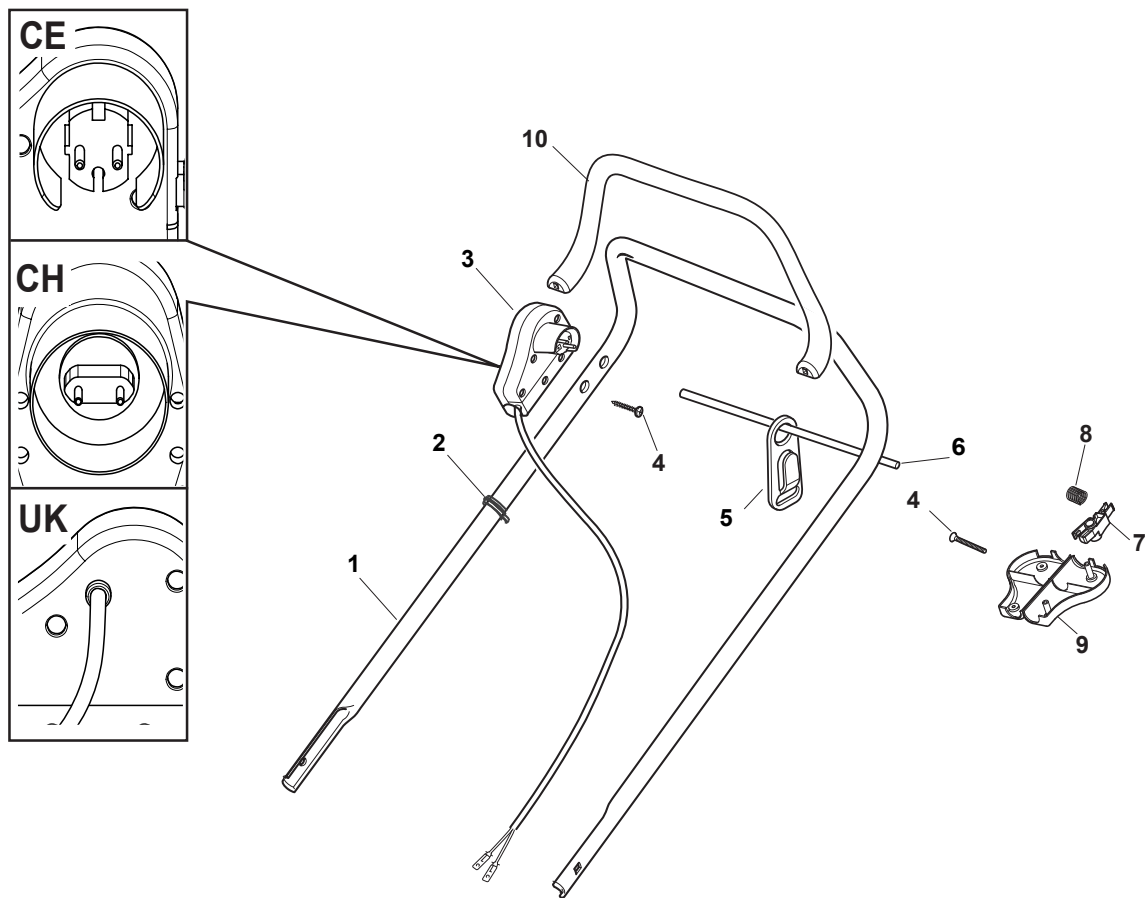
Utgåva Issue 2 - 2016		Kapa och höjdställning Deck And Height Adjusting			
Pos. Fig.	Antal Q.ty	Art nr Part No	Benämning	Description	Anmärkning Notes
1	4	112293200/0	Mutter	Nut	
2	4	112583500/0	Lasbricka	Grower	
3	4	112523070/0	Bricka	Washer	
4	4	322735547/0	Höjjustering sektor	Sector, Height Adjustment	
6	4	481003286/0	Höjdställningsspak	Lever, Height Adjustment	
7	4	122519811/0	Stift	Pin	
8	1	381004734/0	Chassi-gra	Grey Deck	



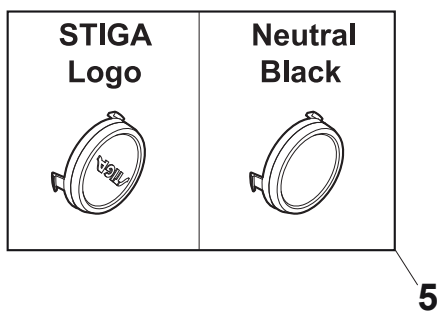
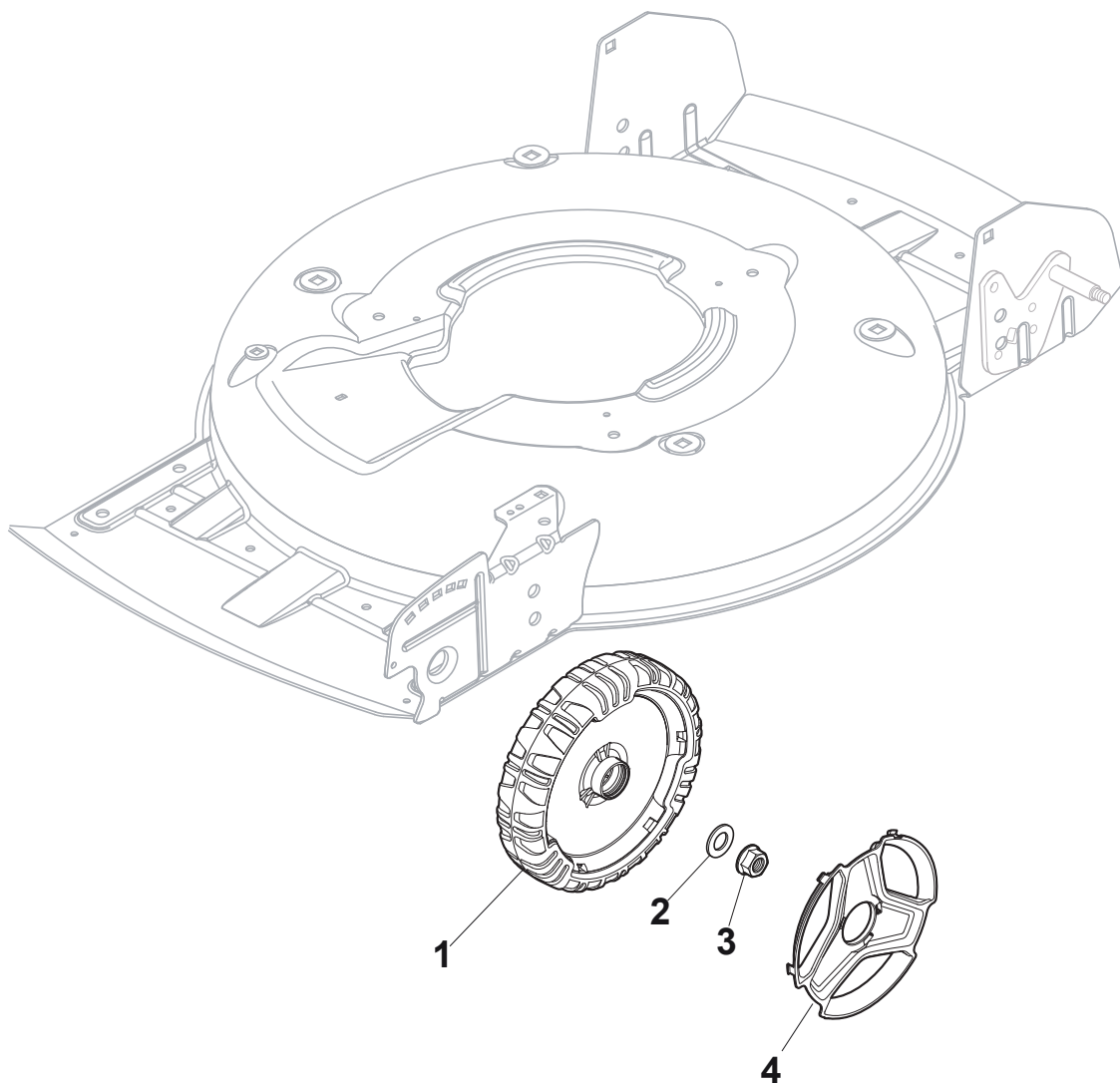
Utgåva Issue 2 - 2016		Mask			
Pos. Fig.	Antal Q.ty	Art nr Part No	Benämning	Description	Anmärkning Notes
1	1	322226197/0	Frontal gra	Mask, Grey	
2	2	112728450/0	Skruv	Screw	
3	1	322778421/0	Fäste-vä	Left Bracket	
6	4	112792611/0	Skruv	Screw	
7	1	322778419/0	Fäste-hö	Right Bracket	
8	4	112293201/0	Mutter	Nut	
9	2	112815200/0	Skruv	Screw	
10	2	322020400/0	Kabalfäste	Fairlead	
11	2	112728523/0	Skruv	Screw	
12	2	112292102/0	Mutter	Nut	
13	2	133320506/0	Kabalfäste	Fairlead	
14	1	114367494/2	Dekal STIGA logo	Label STIGA logo	



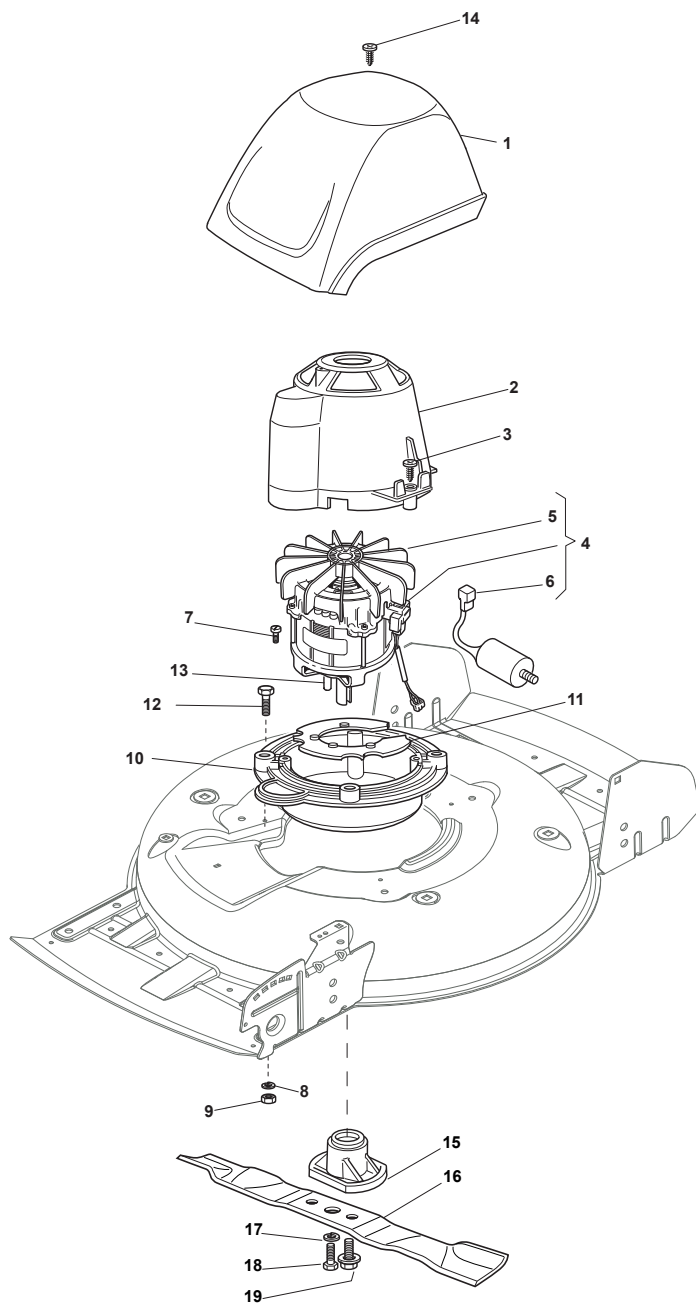
Utgåva Issue 2 - 2016		Reglage, nedre Handle, Lower Part			
Pos. Fig.	Antal Q.ty	Art nr Part No	Benämning	Description	Anmärkning Notes
10	3	112728531/0	Skruv	Screw	
11	1	322060220/0	Remskydd	Belt Protection	
15	1	322207219/1	Motorfläns Svart	Flange	
16	3	112793102/0	Skruv	Screw	
17	6	112523060/0	Bricka	Washer	
18	3	112155000/0	Mutter	Nut	
21	1	381006677/0	Handtag I Styre-underdel	Handle Lower Part	Yellow
22	2	118566110/0	Plugg	Push Rod	
23	4	112818900/0	Skruv	Screw	
24	4	112155000/0	Mutter	Nut	
25	4	118203854/0	Lock	Cap	
26	4	112818900/0	Skruv	Screw	
27	2	112819202/0	Skruv	Screw	
28	4	122680006/1	Bricka	Washer	
29	4	322399804/1	Mutter	Nut	
30	4	112293200/0	Mutter	Nut	
31	1	381006669/0	Styre-mellandel	Handle, Middle Part Black	
32	2	112819201/0	Skruv	Screw	
33	2	112760475/0	Skruv	Screw	
34	2	322551578/0	Plat	Plate	
35	2	112154330/0	Mutter	Nut	



Utgåva Issue 2 - 2016		Reglage, övre Handle, Upper Part			
Pos. Fig.	Antal Q.ty	Art nr Part No	Benämning	Description	Anmärkning Notes
3	1	381600547/0	Manöverdosa CE	Dead Hand Switch CE	(CE)
1	1	381007017/2	Styre-överdel	Handle, Upper Part	
2	2	122192000/1	Kabelhallare	Clamp	
4	4	112728701/0	Skruv	Screw	
5	1	322195101/4	Kabalfäste	Fairlead	
6	1	122010251/0	Kabelhallarstang	Hook	
7	1	322230350/1	Vridpunkt	Left Fulcrum	
8	1	122450115/0	Fjäder	Spring	
9	1	322785144/1	Fäste	Support	
10	1	322322881/1	Reglagebygel-svart	Lever, Engine Brake Black	
99	1	381600547/0	Manöverdosa CE	Dead Hand Switch CE	
99	1	381600548/0	Manöverdosa UK	Dead Hand Switch UK	



Utgåva Issue 2 - 2016		Hjul och navkapsel Wheel and Hub Cap			
Pos. Fig.	Antal Q.ty	Art nr Part No	Benämning	Description	Anmärkning Notes
1	4	381007498/0	Hjul	Wheel	Grooved Plastic
2	8	112521350/0	Bricka	Washer	
3	8	112155000/0	Mutter	Nut	
4	8	322110796/0	Navkapsel Gra	Hub Cap Grey	
5	4	322110798/0	Navkapsel	Hub Cap	with STIGA Logo



Utgåva Issue 2 - 2016		Elmotor/Kniv Electric Motor/Blade			
Pos. Fig.	Antal Q.ty	Art nr Part No	Benämning	Description	Anmärkning Notes
1	1	322055140/0	Kapa-gul	Cover, Yellow	
2	1	322785061/1	Kapstöd	Support, Cover	
3	4	112728710/0	Skruv	Screw	
4	1	118563605/0	Elmotor 1600W	Electric Motor 1600W	230V (1600W)
5	1	118740054/0	Fläkt	Fan Motor Atb	
6	1	118222045/0	Kondensator (16 Uf)	Condenser 16 µf	
7	4	112735410/0	Skruv	Screw	
8	4	112583500/0	Lasbricka	Grower	
9	4	112293200/0	Mutter	Nut	
10	1	322207216/0	Fläns Elmotor	Flange	
11	1	122720360/1	Ventilationsskärm	Ventilation Screen	
12	4	112793701/0	Skruv	Screw	
13	1	112139440/0	Kil	Key	
14	2	112728680/0	Skruv	Screw	
15	1	322463186/3	Knivfäste	Blade Hub	
16	1	181004146/0	Kniv	Blade Standard	
17	2	112583500/0	Lasbricka	Grower	
18	2	112793101/0	Skruv	Screw	
19	1	381004352/1	Skruv	Screw	

code	pos.	q.ty	page				
112139440/0	13	1	p. 13	322785061/1	2	1	p. 13
112154330/0	35	2	p. 7	322785144/1	9	1	p. 9
112155000/0	3	4	p. 11	381004352/1	19	1	p. 13
112155000/0	18	3	p. 7	381004734/0	8	1	p. 3
112155000/0	24	4	p. 7	381006669/0	31	1	p. 7
112292102/0	12	2	p. 5	381006677/0	21	1	p. 7
112293200/0	1	4	p. 3	381007017/2	1	1	p. 9
112293200/0	9	4	p. 13	381007498/0	1	2	p. 11
112293200/0	30	4	p. 7	381007802/0	6	2	p. 11
112293201/0	8	4	p. 5	381600547/0	3	1	p. 9
112521350/0	2	4	p. 11	381600547/0	99	1	p. 9
112523060/0	17	6	p. 7	381600548/0	99	1	p. 9
112523070/0	3	4	p. 3	481003286/0	6	4	p. 3
112583500/0	2	4	p. 3				
112583500/0	8	4	p. 13				
112583500/0	17	2	p. 13				
112728450/0	2	2	p. 5				
112728523/0	11	2	p. 5				
112728531/0	10	3	p. 7				
112728680/0	14	2	p. 13				
112728691/0	7	6	p. 11				
112728701/0	4	4	p. 9				
112728710/0	3	4	p. 13				
112735410/0	7	4	p. 13				
112760475/0	33	2	p. 7				
112792611/0	6	4	p. 5				
112793101/0	18	2	p. 13				
112793102/0	16	3	p. 7				
112793701/0	12	4	p. 13				
112815200/0	9	2	p. 5				
112818900/0	23	4	p. 7				
112818900/0	26	4	p. 7				
112819201/0	32	2	p. 7				
112819202/0	27	2	p. 7				
114367494/2	14	1	p. 5				
118203854/0	25	4	p. 7				
118222045/0	6	1	p. 13				
118563605/0	4	1	p. 13				
118566110/0	22	2	p. 7				
118740054/0	5	1	p. 13				
122010251/0	6	1	p. 9				
122192000/1	2	2	p. 9				
122450115/0	8	1	p. 9				
122519811/0	7	4	p. 3				
122680006/1	28	4	p. 7				
122720360/1	11	1	p. 13				
133320506/0	13	2	p. 5				
181004146/0	16	1	p. 13				
322020400/0	10	2	p. 5				
322055140/0	1	1	p. 13				
322060220/0	11	1	p. 7				
322110796/0	4	4	p. 11				
322110798/0	8	4	p. 11				
322195101/4	5	1	p. 9				
322207216/0	10	1	p. 13				
322207219/1	15	1	p. 7				
322226197/0	1	1	p. 5				
322230350/1	7	1	p. 9				
322322881/1	10	1	p. 9				
322399804/1	29	4	p. 7				
322463186/3	15	1	p. 13				
322551578/0	34	2	p. 7				
322600335/0	5	2	p. 11				
322735547/0	4	4	p. 3				
322778419/0	7	1	p. 5				
322778421/0	3	1	p. 5				