



## **Reservdelskatalog Parts Catalogue**

# **MULTICLIP 47 AE**

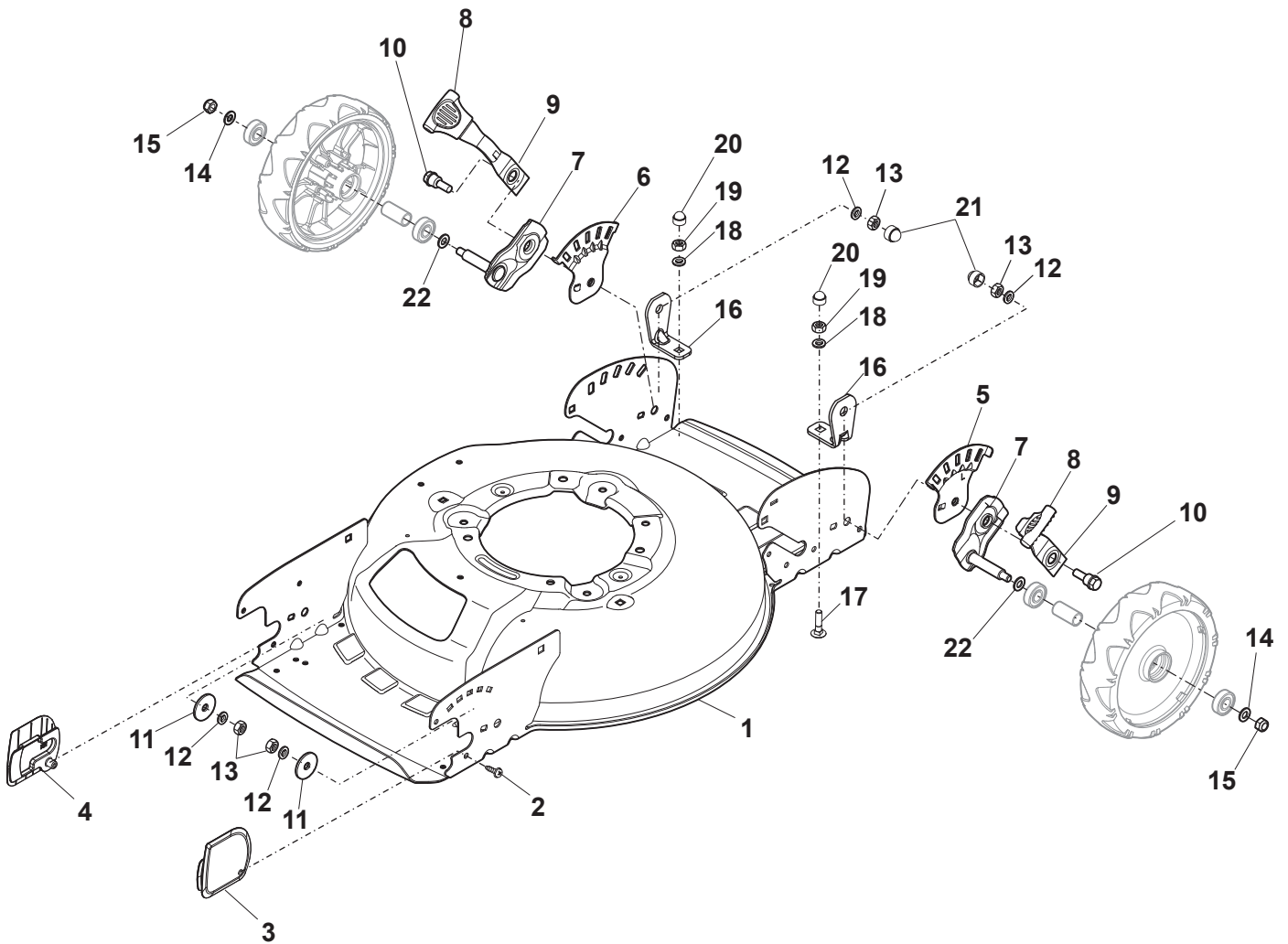
**298471008/S16 - Season 2016**

- Use GLOBAL GARDEN PRODUCT Genuine Spare Parts specified in the parts list for repair and/or replacement.
  - The contents described in the parts list may change due to improvement.
  - The drawings of the spare parts are only indicative and might not represent the part in question exactly.
  - The indications "right" - "left" - "front" - "rear" refer to the position of the operator when using the machine.
- When placing orders of parts for repair and/or replacement, make sure that the illustrated parts list is the one applying to the machine's year of manufacture, as shown on the identification plate attached to the machine.

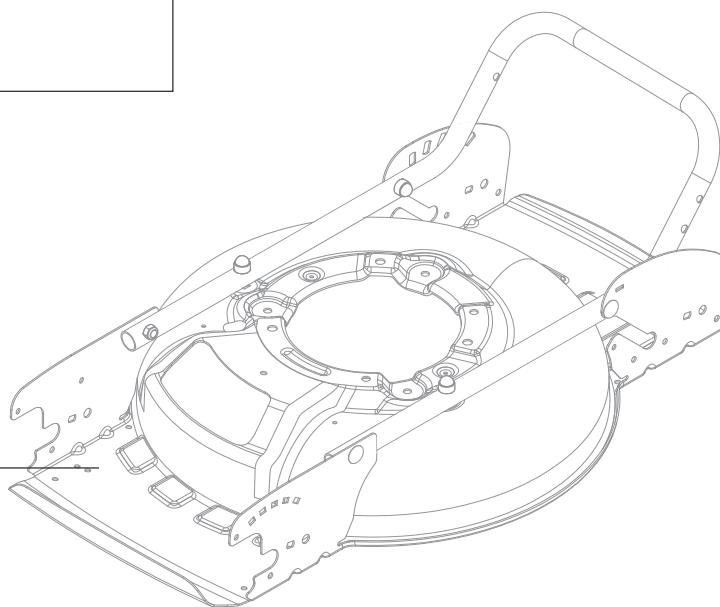
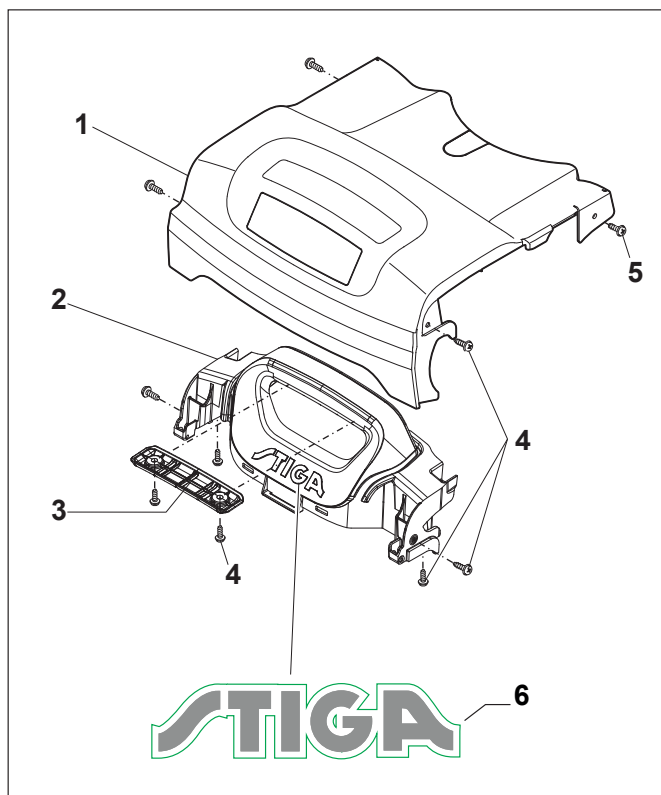
© Copyright 2016 Global Garden Products

All rights reserved. No part of this material may be reproduced or transmitted, in any form or by any means, electronic or mechanical, including photocopying, recording or by any information storage and retrieval system, without permission in writing from GLOBAL GARDEN PRODUCTS.

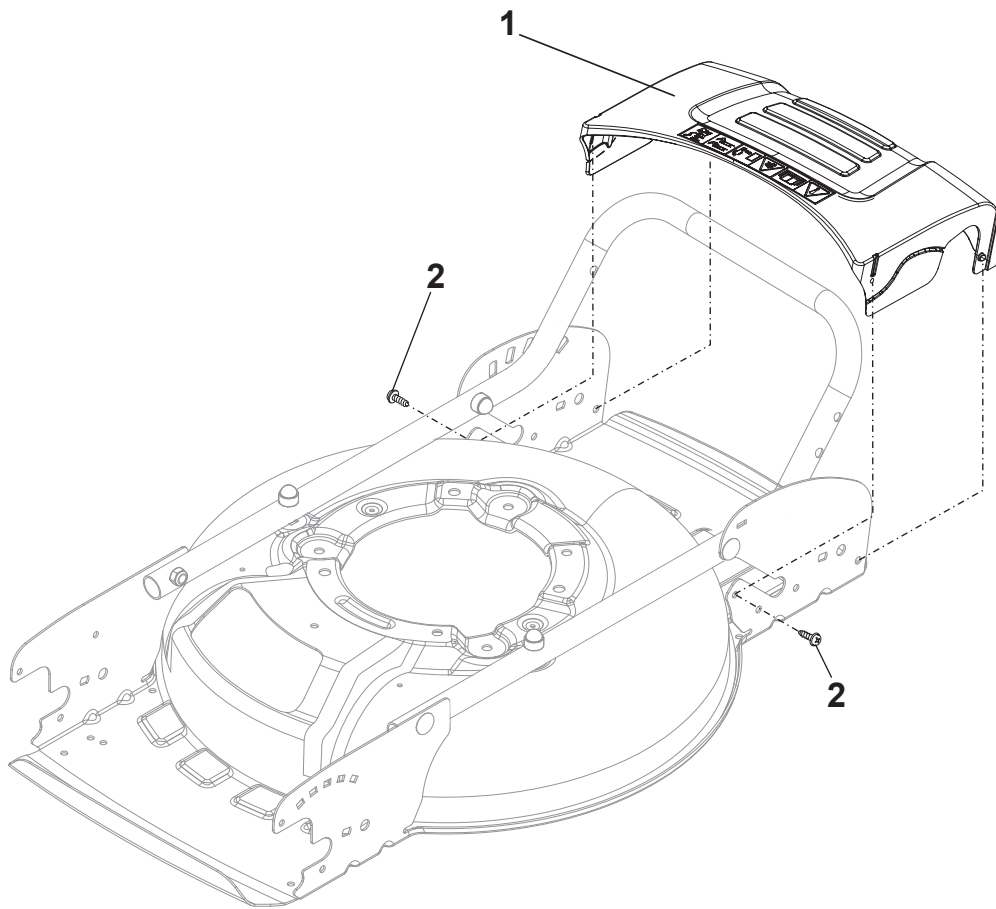
[www.stiga.com](http://www.stiga.com)



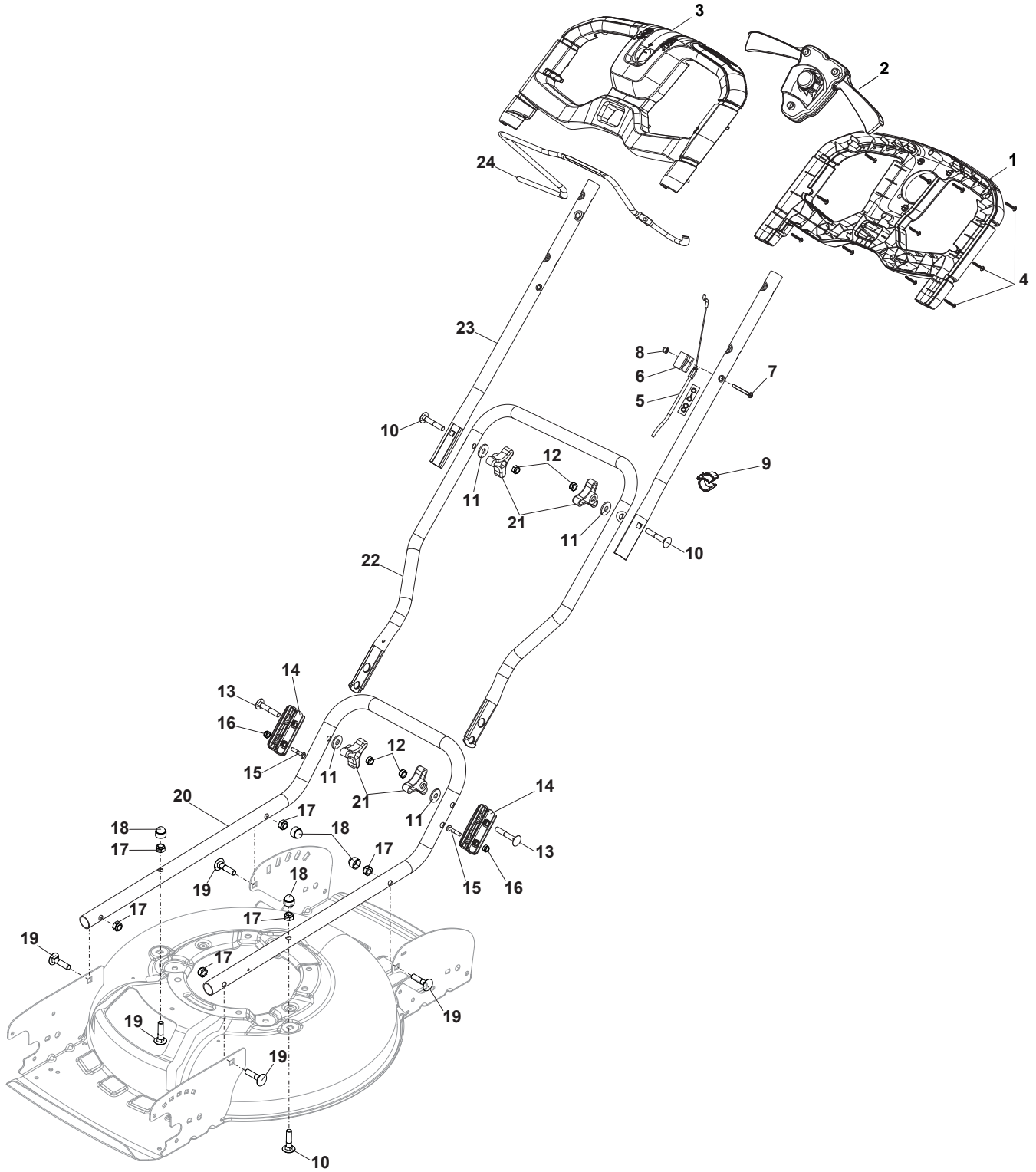
Utgåva Issue 17 - 2016		Kapa och höjdställning Deck And Height Adjusting			
Pos. Fig.	Antal Q.ty	Art nr Part No	Benämning	Description	Anmärkning Notes
1	1	381004783/1	Chassi	Deck Black	
2	2	112728697/0	Skruv	Screw	
3	1	322109912/0	Sidoskydd	Left Side Cover	
4	1	322109911/0	Sidoskydd	Right Side Cover	
5	2	322735597/1	Höjjustering sektor	Sector, Height Adjustment	
6	2	322735595/1	Höjjustering sektor	Sector, Height Adjustment	
7	4	381005143/0	Hjulfäste	Wheel Support	
8	4	322321537/0	Höjdställningsspak	Lever, Height Adjustment	
9	4	122394501/0	Handtagsknopp	Knob	
10	4	122519811/0	Stift	Pin	
11	4	112523070/0	Bricka	Washer	
12	4	112583500/0	Lasbricka	Grower	
13	4	112293200/0	Mutter	Nut	
14	4	112521350/0	Bricka	Washer	
15	4	112155015/0	Mutter	Nut	
16	2	322608569/0	Reinforcement	Reinforcement	
17	2	112815200/0	Skruv	Screw	
18	2	112582100/0	Lasbricka	Grower	
19	2	112292100/0	Mutter	Nut	
20	2	118203853/0	Lock	Cap	
21	2	118203854/0	Lock	Cap	
22	4	122671661/0	Bricka	Washer	



Utgåva Issue 17 - 2016		Mask Mask, Frontal Basic Version			
Pos. Fig.	Antal Q.ty	Art nr Part No	Benämning	Description	Anmärkning Notes
1	1	381390126/0	Handtag	Frontal Assy	
2	1	322393739/0	Handtag	Handle	
3	1	322393659/0	Handtag, nedresKapa, gul	Handle, Lower Part	
4	8	112728697/0	Skruv	Screw	
5	2	112728124/0	Skruv	Screw	
6	1	114367494/2	Dekal STIGA logo	Label STIGA logo	

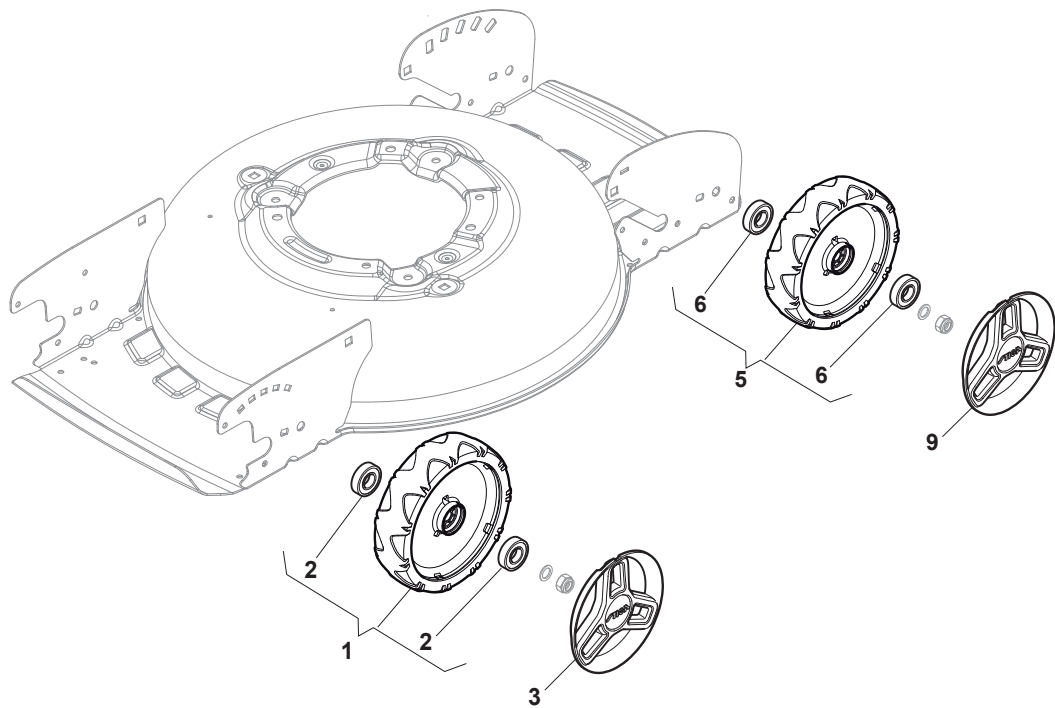


Utgåva Issue 17 - 2016		Bakre omslag Rear Cover			
Pos. Fig.	Antal Q.ty	Art nr Part No	Benämning	Description	Anmärkning Notes
1	1	322055258/0	Kapa	Rear Cover	
2	2	112728697/0	Skruv	Screw	

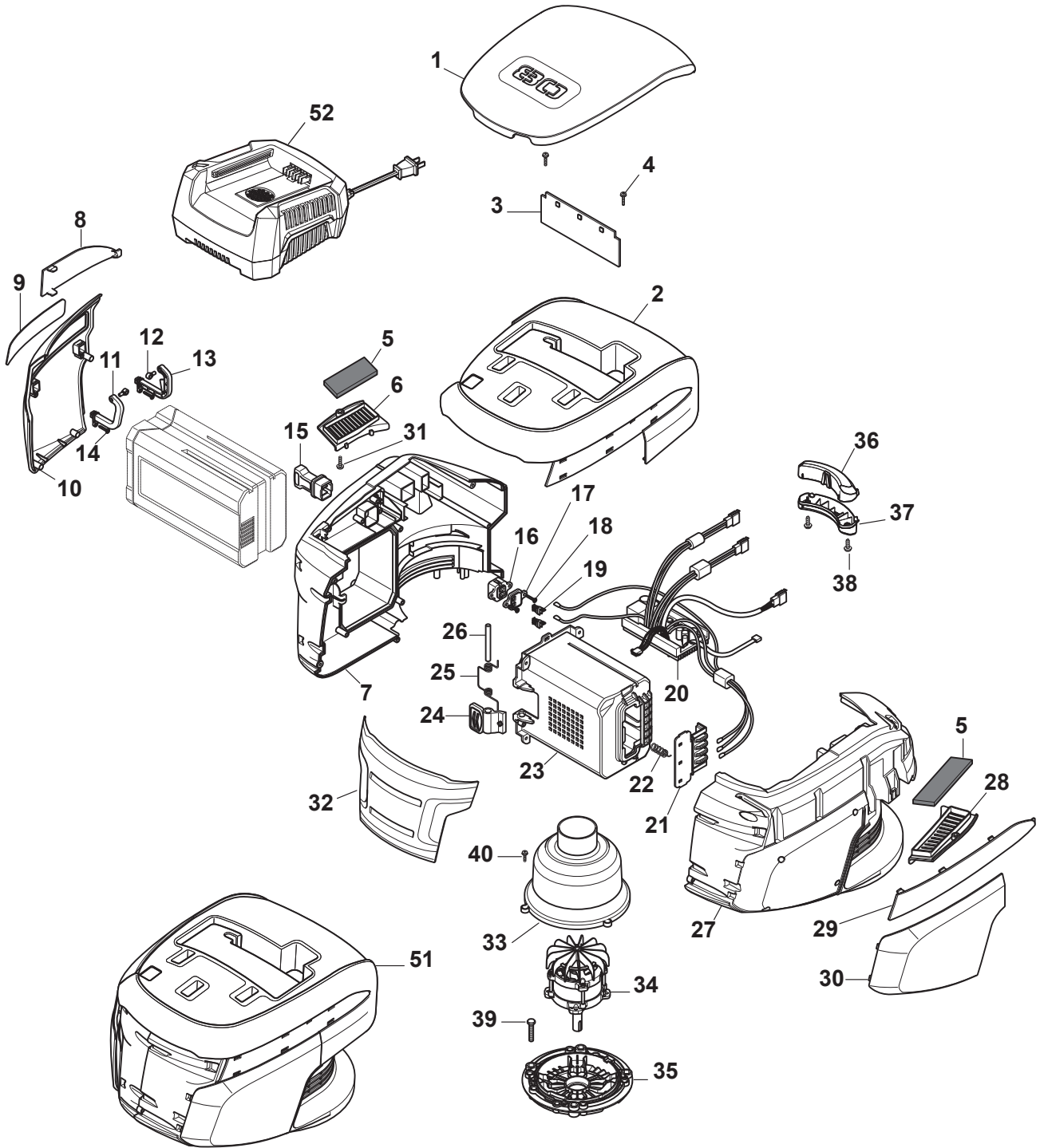




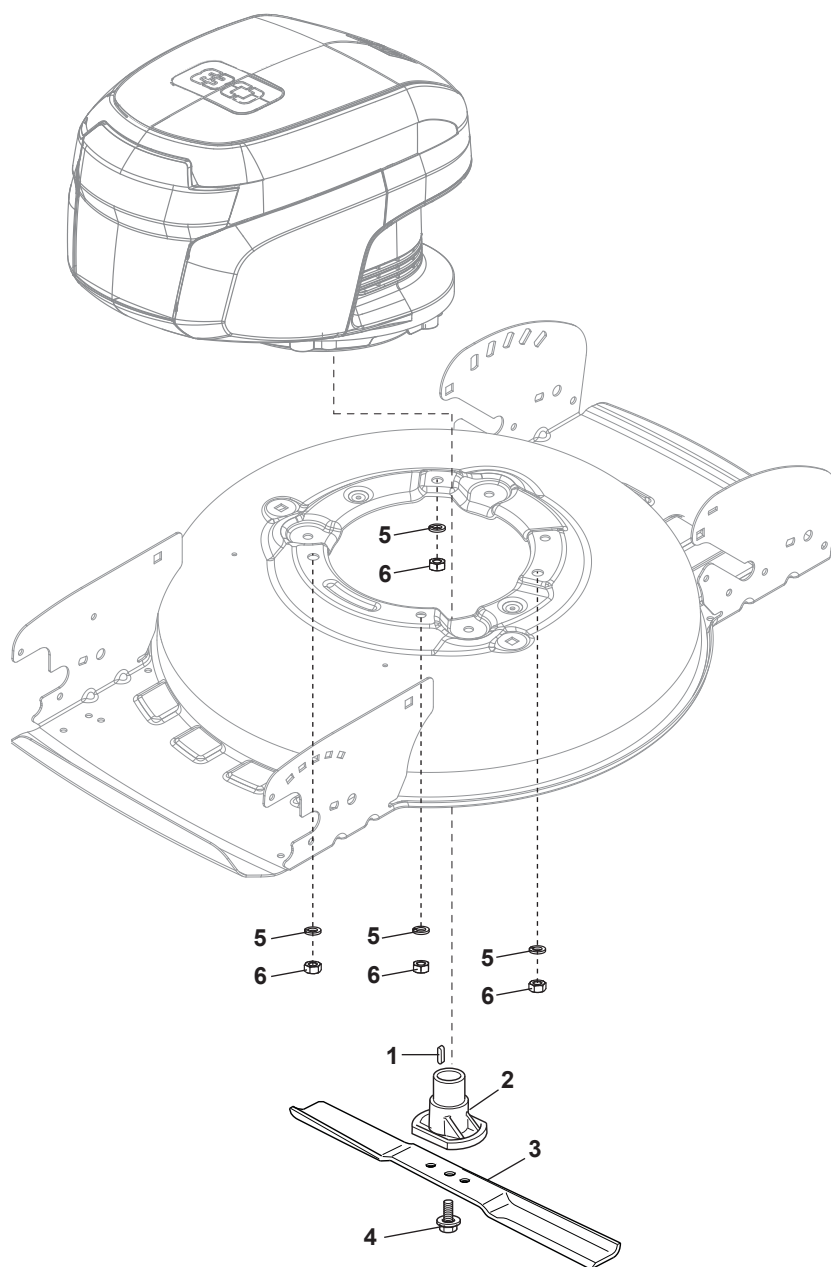
Utgåva Issue 17 - 2016		Reglage		Handle	
Pos. Fig.	Antal Q.ty	Art nr Part No	Benämning	Description	Anmärkning Notes
1	1	322291075/0	Handtagshalva, övre brytare	Upper Half Handgrip Switch	Grey
2	1	381600557/0	Manöverdosa	Dead Hand Switch	
3	1	322291074/0	Handtagshalva, övre brytare	Lower Half Handgrip Switch	Grey
4	11	112728711/0	Skruv	Screw	
5	1	381030103/1	Kopplingswire	Cable Rear Drive	
6	1	322551640/0	Plat	Plate	
7	1	112727783/0	Skruv	Screw	
8	1	112154510/0	Mutter	Nut	
9	2	122192000/1	Kabelhallare	Clamp	
10	2	112819121/0	Skruv	Screw	
11	4	122671651/0	Bricka	Washer	
12	2	112293200/0	Mutter	Nut	
13	2	112819202/0	Skruv	Screw	
14	2	322551578/0	Plat	Plate	
15	2	112760475/0	Skruv	Screw	
16	2	112154330/0	Mutter	Nut	
17	6	112155000/0	Mutter	Nut	
18	4	118203854/0	Lock	Cap	
19	6	112818900/0	Skruv	Screw	
20	1	381007556/0	Reglage, nedre Gul	Handle, Lower Part Yellow	
21	4	122399900/0	Knopp	Knob	
22	1	381007575/0	Styre-mellandel	Handle-middle part	
23	2	381007576/0	Handtag, övre	Handle, Upper Part	
24	1	181003439/0	Spak Handtag	Drive Control Lever	



Utgåva Issue 17 - 2016		Hjul och navkapsel Wheels and Hub Caps			
Pos. Fig.	Antal Q.ty	Art nr Part No	Benämning	Description	Anmärkning Notes
1	2	381007450/1	Hjul - Long Hub	Wheel - Long Hub	
2	4	119216035/0	Lager	Bearing	
3	2	322110744/0	Navkapsel Gra	Hub Cap Grey	
5	2	381007450/1	Hjul - Long Hub	Wheel - Long Hub	
6	4	119216035/0	Lager	Bearing	
9	2	322110744/0	Navkapsel Gra	Hub Cap Grey	



Utgåva Issue 17 - 2016		Batterimotor Battery Motor Ass.y			
Pos. Fig.	Antal Q.ty	Art nr Part No	Benämning	Description	Anmärkning Notes
1	1	322109969/0A	Upper Cover	Upper Cover	
2	1	322109962/0	Kapa, Svart	Cover, Black	
3	1	118206007/0	Elektronikkort	Electronic Card	
4	2	112728099/1	Skruv	Screw	
5	2	118401009/0	Luftfilter	Air Filter	
6	1	322109973/0	Luftrenarlock	Air Cleaner Cover	
7	1	322055338/0	Höger Hus	Right housing	
9	1	322109961/0	Kapa	Cover	
10	1	322109963/0	BatteriKapa, Svart	Battery Cover, Black	
11	1	322109971/0	Hävarm	Lever	
12	2	322524357/0	Stift	Fulcrum Pin	
13	1	322109972/0	Hävarm	Lever	
14	2	112728099/1	Skruv	Screw	
15	1	322076571/0	Batterisäkerhetsnyckel	Battery Safety Key	
16	1	322722828/0	Fäste	Holder	
17	1	322109975/0	Kapa	Cover	
18	2	112728099/1	Skruv	Screw	
19	2	118810272/0	Honkontakt Faston	Female connector Faston	
20	1	118206005/0	Elektronikkort	Electronic Card	
21	1	118810277/0	Batteribyggel	Battery Clamp	
22	1	118810276/0	Fjäder	Spring	
23	1	322109970/0	Batterilada	Batterybox	
24	1	118810273/0	Hävarm	Lever	
25	1	118810275/0	Fjäder	Spring	
26	1	118810274/0	Stift	Pin	
27	1	322055339/0	Vänster, Hus	Left housing	
28	1	322109974/0	Luftrenarlock	Air Cleaner Cover	
30	1	322109964/0	Kapa-Svart	Cover, Black	
31	2	112728099/1	Skruv	Screw	
33	1	322108321/0	Motorhuv	End Cover	
34	1	118563517/0	Elmotor	Electric Motor	
35	1	322207232/0	Fläns	Electrical Motor Flange	
36	1	322722834/0	Skydd-Övre	Upper Guard	
37	1	322722833/0	Spolskydd	Lower Guard	
38	2	112728706/0	Skruv	Screw	
39	4	112691100/0	Skruv	Screw	
40	3	112728099/1	Skruv	Screw	
51	1	381270000/0	Engine Battey Group PowerHead Black	Engine Battey Group PowerHead Black	
52	1	118204141/0	Batteriladdare	Battery Charger	



Utgåva Issue 17 - 2016		Kniv Blade			
Pos. Fig.	Antal Q.ty	Art nr Part No	Benämning	Description	Anmärkning Notes
1	1	112139440/0	Kil	Key	
2	1	322463190/0	Knivfäste Ø 17	Hub Ø 17	
3	1	181004158/0	Mulcherkniv	Mulching Blade	
4	1	381004352/1	Skruv	Screw	
5	4	112583500/0	Lasbricka	Grower	
6	4	112293200/0	Mutter	Nut	

code	pos.	q.ty	page				
112139440/0	1	1	p. 15	322109963/0	10	1	p. 13
112154330/0	16	2	p. 9	322109964/0	30	1	p. 13
112154510/0	8	1	p. 9	322109969/0A	1	1	p. 13
112155000/0	17	6	p. 9	322109970/0	23	1	p. 13
112155015/0	15	4	p. 3	322109971/0	11	1	p. 13
112292100/0	19	2	p. 3	322109972/0	13	1	p. 13
112293200/0	6	4	p. 15	322109973/0	6	1	p. 13
112293200/0	12	2	p. 9	322109974/0	28	1	p. 13
112293200/0	13	4	p. 3	322109975/0	17	1	p. 13
112521350/0	14	4	p. 3	322110744/0	3	2	p. 11
112523070/0	11	4	p. 3	322110744/0	9	2	p. 11
112582100/0	18	2	p. 3	322207232/0	35	1	p. 13
112583500/0	5	4	p. 15	322291074/0	3	1	p. 9
112583500/0	12	4	p. 3	322291075/0	1	1	p. 9
112691100/0	39	4	p. 13	322321537/0	8	4	p. 3
112727783/0	7	1	p. 9	322393659/0	3	1	p. 5
112728099/1	4	2	p. 13	322393739/0	2	1	p. 5
112728099/1	14	2	p. 13	322463190/0	2	1	p. 15
112728099/1	18	2	p. 13	322524357/0	12	2	p. 13
112728099/1	31	2	p. 13	322551578/0	14	2	p. 9
112728099/1	40	3	p. 13	322551640/0	6	1	p. 9
112728124/0	5	2	p. 5	322608569/0	16	2	p. 3
112728697/0	2	2	p. 3	322722828/0	16	1	p. 13
112728697/0	2	2	p. 7	322722833/0	37	1	p. 13
112728697/0	4	8	p. 5	322722834/0	36	1	p. 13
112728706/0	38	2	p. 13	322735595/1	6	2	p. 3
112728711/0	4	11	p. 9	322735597/1	5	2	p. 3
381004352/1	4	1	p. 15	381004783/1	1	1	p. 3
112760475/0	15	2	p. 9	381005143/0	7	4	p. 3
112815200/0	17	2	p. 3	381007450/1	1	2	p. 11
112818900/0	19	6	p. 9	381007450/1	5	2	p. 11
112819121/0	10	2	p. 9	381007556/0	20	1	p. 9
112819202/0	13	2	p. 9	381007575/0	22	1	p. 9
114367494/2	6	1	p. 5	381007576/0	23	2	p. 9
118203853/0	20	2	p. 3	381030103/1	5	1	p. 9
118203854/0	18	4	p. 9	381270000/0	51	1	p. 13
118203854/0	21	2	p. 3	381390126/0	1	1	p. 5
118206005/0	20	1	p. 13	381600557/0	2	1	p. 9
118206007/0	3	1	p. 13				
118401009/0	5	2	p. 13				
118563517/0	34	1	p. 13				
118810272/0	19	2	p. 13				
118810273/0	24	1	p. 13				
118810274/0	26	1	p. 13				
118810275/0	25	1	p. 13				
118810276/0	22	1	p. 13				
118810277/0	21	1	p. 13				
119216035/0	2	4	p. 11				
119216035/0	6	4	p. 11				
122192000/1	9	2	p. 9				
122394501/0	9	4	p. 3				
122399900/0	21	4	p. 9				
122519811/0	10	4	p. 3				
122671651/0	11	4	p. 9				
122671661/0	22	4	p. 3				
181003439/0	24	1	p. 9				
181004158/0	3	1	p. 15				
322055258/0	1	1	p. 7				
322055338/0	7	1	p. 13				
322055339/0	27	1	p. 13				
322076571/0	15	1	p. 13				
322108321/0	33	1	p. 13				
322109911/0	4	1	p. 3				
322109912/0	3	1	p. 3				
322109961/0	9	1	p. 13				
322109962/0	2	1	p. 13				