



## **Reservdelskatalog Parts Catalogue**

### **COMBI 40 AE**

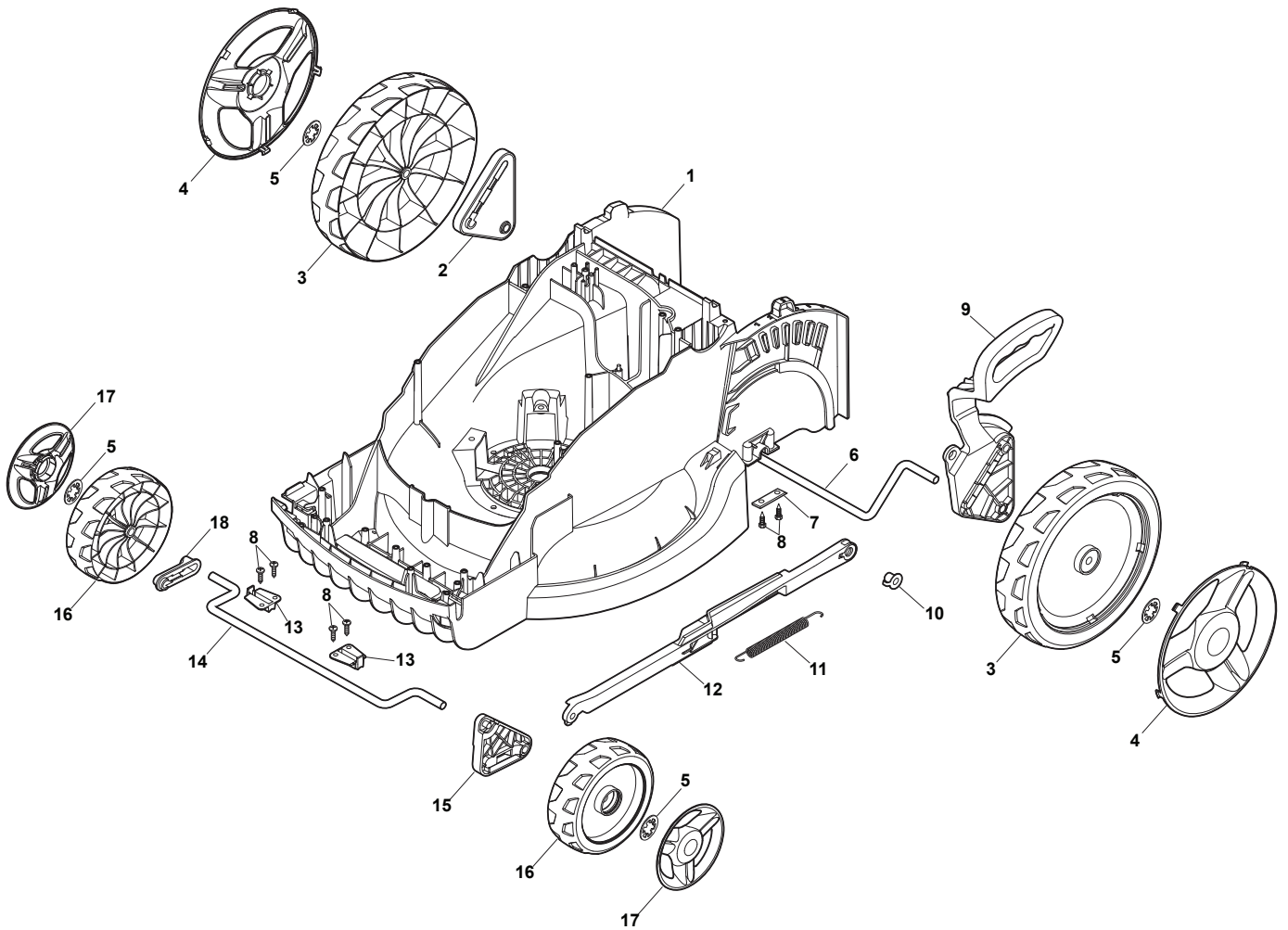
**294385068/S15 - Season 2016**

- Use GLOBAL GARDEN PRODUCT Genuine Spare Parts specified in the parts list for repair and/or replacement.
  - The contents described in the parts list may change due to improvement.
  - The drawings of the spare parts are only indicative and might not represent the part in question exactly.
  - The indications "right" - "left" - "front" - "rear" refer to the position of the operator when using the machine.
- When placing orders of parts for repair and/or replacement, make sure that the illustrated parts list is the one applying to the machine's year of manufacture, as shown on the identification plate attached to the machine.

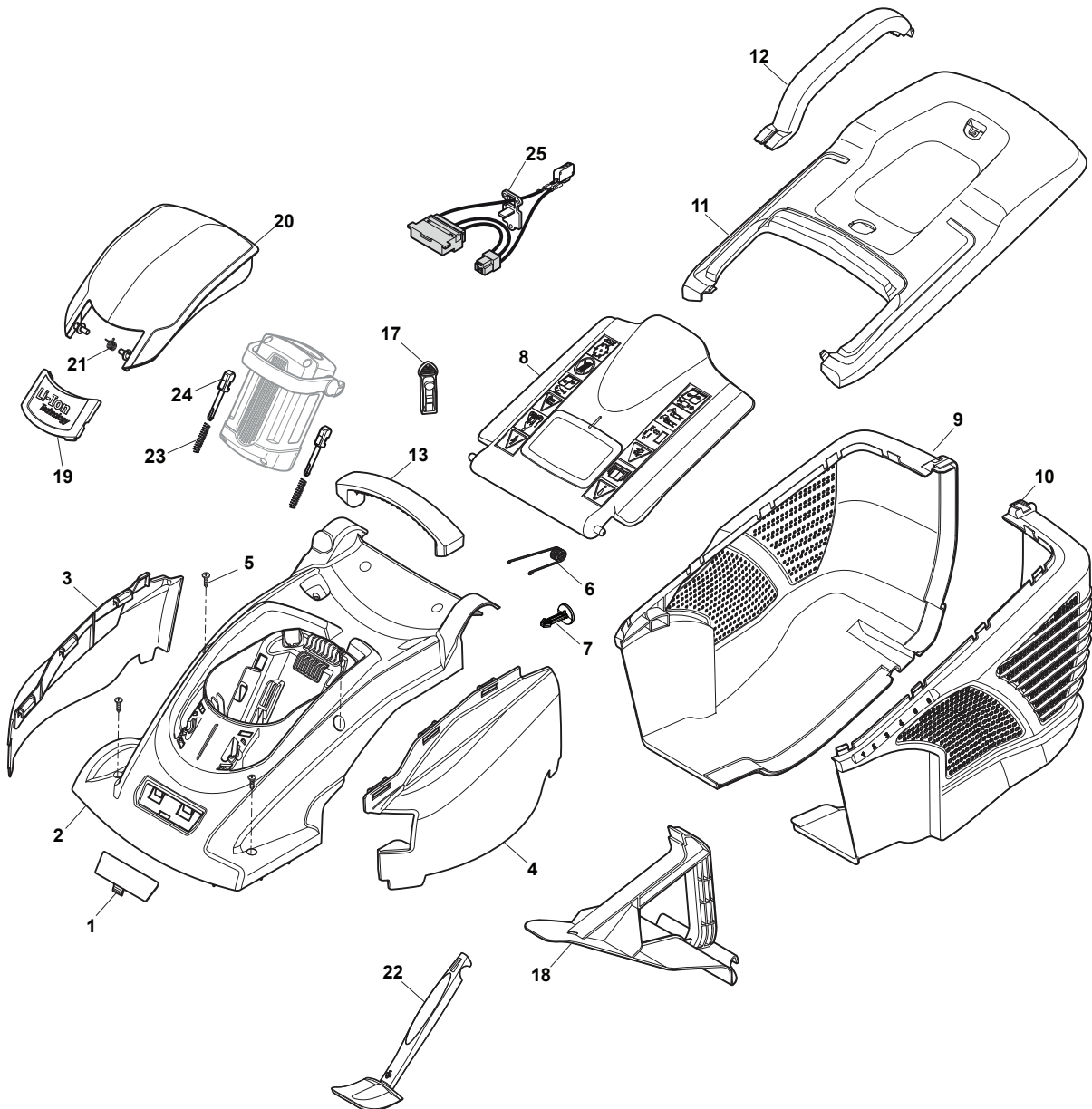
© Copyright 2016 Global Garden Products

All rights reserved. No part of this material may be reproduced or transmitted, in any form or by any means, electronic or mechanical, including photocopying, recording or by any information storage and retrieval system, without permission in writing from GLOBAL GARDEN PRODUCTS.

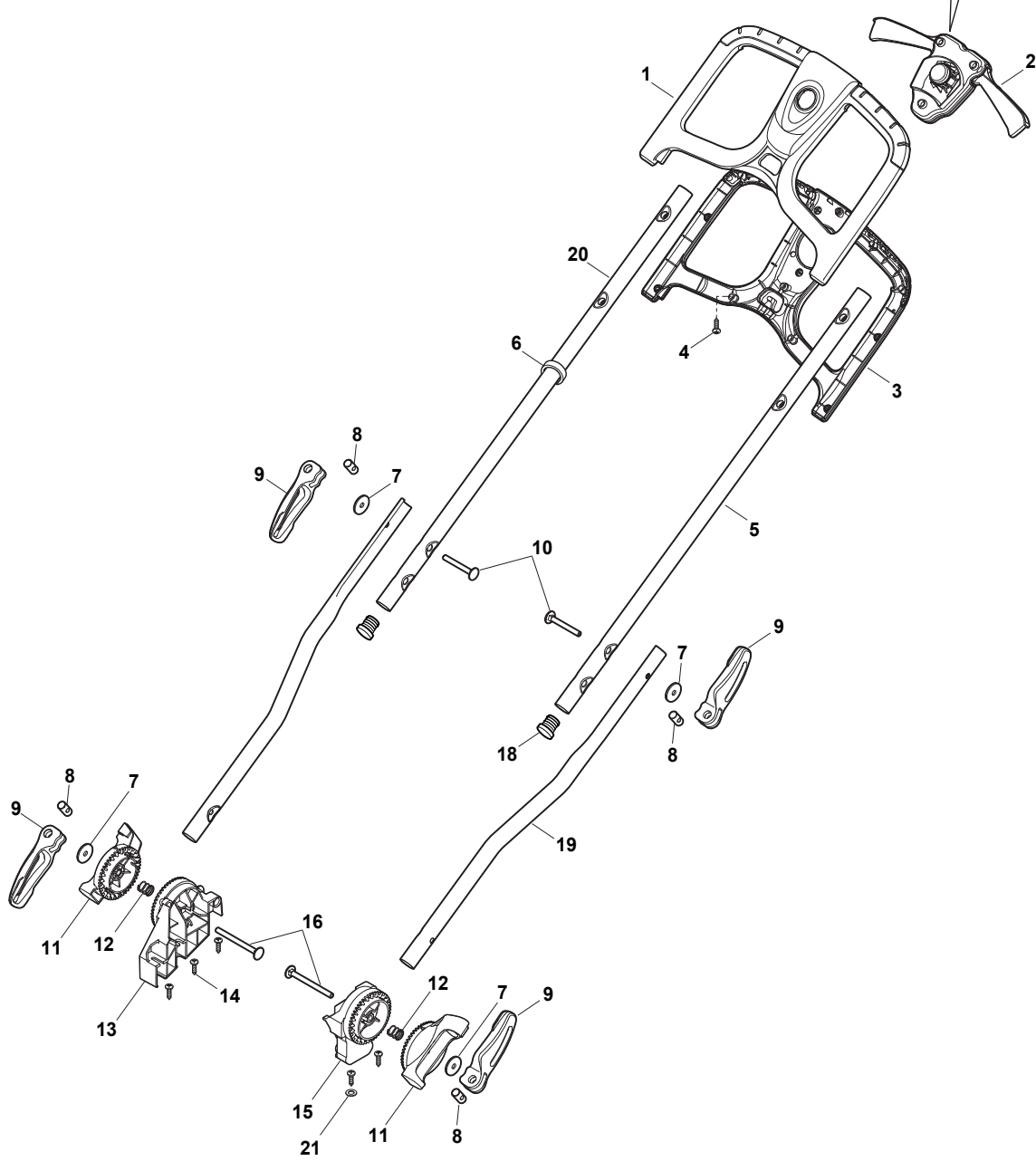
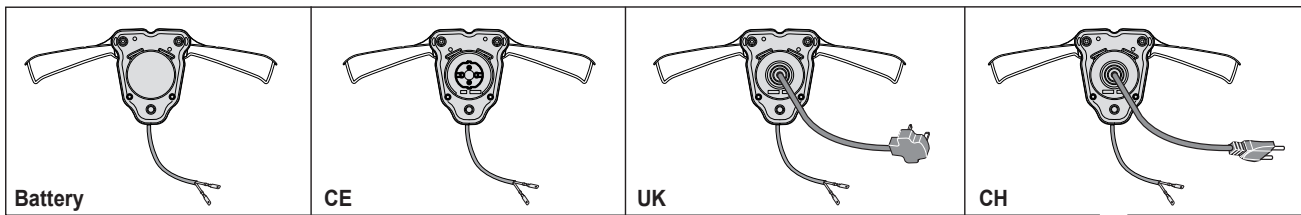
[www.stiga.com](http://www.stiga.com)



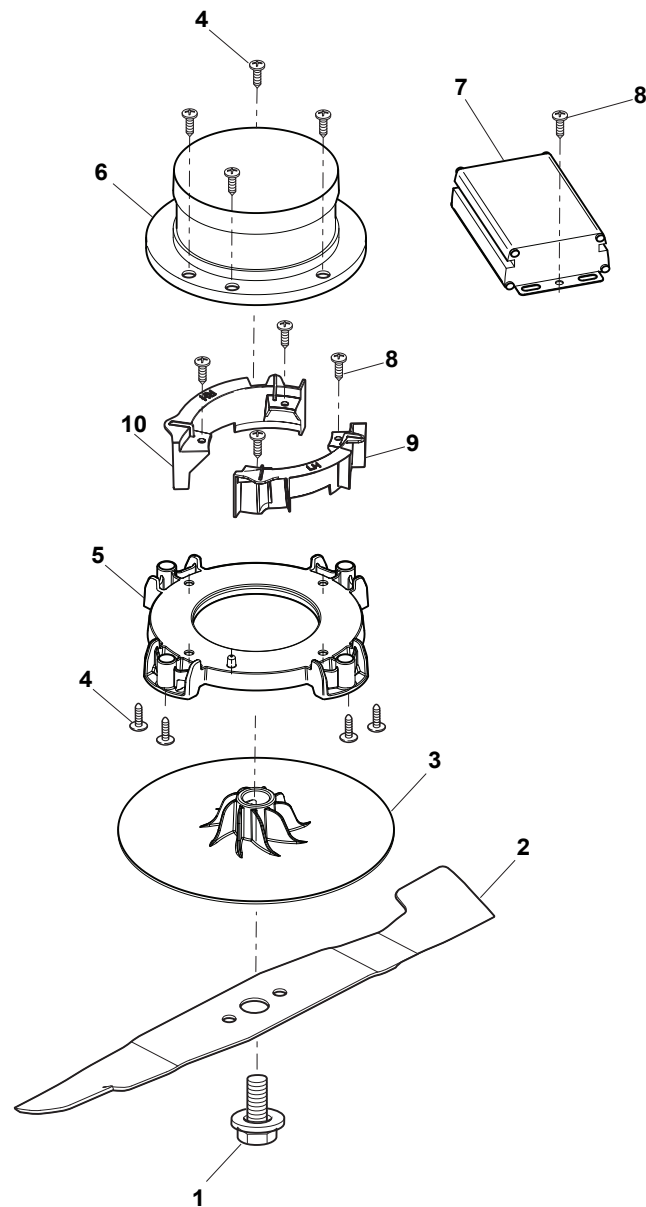
Utgåva Issue 3 - 2016		Kapa och höjdställning Deck And Height Adjusting			
Pos. Fig.	Antal Q.ty	Art nr Part No	Benämning	Description	Anmärkning Notes
1	1	322066783/0	Chassi gra	Deck STIGA Grey	
2	1	322785450/0	Hjulhallare	Support, Wheel	
3	2	322686105/0	Hjul	Wheel	
5	4	112604903/0	Bricka	Washer	
6	1	122033425/0	Hjulaxel-bakre	Rear Wheel Axle	
7	2	322545142/0	Plat	Plate	
8	8	112728714/0	Skruv	Screw	
9	1	322785414/1	Höjdställningsspak	Lever, Height Adjustment	
10	1	322524354/0	Stift	Pin	
11	1	122446195/0	Fjäder	Spring	
12	1	322869690/0	Höjdstyrningsstag	Rod, Height Adjustment	
13	2	322785415/0	Plat	Plate	
14	1	122033424/0	Hjulaxel-bakre	Rear Wheel Axle	
15	1	322785438/0	Hjulhallare	Support, Wheel	
16	2	322686104/0	Hjul	Wheel	
18	1	322785449/0	Hjulhallare	Support, Wheel	



Utgåva Issue 3 - 2016		Kapa Deck			
Pos. Fig.	Antal Q.ty	Art nr Part No	Benämning	Description	Anmärkning Notes
1	1	322055168/0	Täckplat-Gra	Front Plate	
2	1	322055528/0	Kapa gul	Yellow Cover	
3	1	322109565/0	Kapa	Left Side Cover	
4	1	322109899/0	Kapa	Right Side Cover	
5	10	112728714/0	Skruv	Screw	
6	1	122450470/0	Fjäder	Spring	
7	1	322524356/0	Stift	Pin	
8	1	322600288/0	Lucka gra	Stone Guard, Grey	
9	1	322486393/0	Bag Höger underdel gra	Grass-Box, Right Lower Part	
10	1	322486394/0	Bag Vänsterunderdel gra	Grass-Box, Left Lower Part	
11	1	322486323/0	Bag gul överdel	Grass-Box, Upper Part	
12	1	322393718/0	Handtag	Handle	
13	1	322393719/0	Handtag	Handle	
17	1	322076570/1	Batterisäkerhetsnyckel	Battery Safety Key	
18	1	322140242/0	Mulching Plugg-Gra El 380	Mulching Plug	
19	1	322545222/0	Plat	Plate	
20	1	322055165/0	Batterikapa	Cover	
21	1	122450473/0	Fjäder	Spring	
22	1	113300215/0	Scraper 250 Accessories Stiga	Scraper	
23	1	122450472/0	Fjäder	Spring	
24	1	322524355/0	Stift	Pin	
25	1	118210028/0	Säkerhetsnyckel	Safety Key Set	48V



Utgåva Issue 3 - 2016		Reglage, övre Handle, Upper Part			
Pos. Fig.	Antal Q.ty	Art nr Part No	Benämning	Description	Anmärkning Notes
1	1	322291070/0	Handtagshalva, övre brytare	Upper Half Handgrip Switch	
2	1	381600524/1	Manöverdosa	Dead Hand Switch	
3	1	322291071/0	Handtagshalva, undre brytare	Lower Half Handgrip Switch	
4	11	112728713/0	Skruv	Screw	
5	1	381007514/1	Handtag	Handle Lower Part	Left + Right Part
6	1	122192000/1	Kabelhallare	Clamp	
7	4	112523050/0	Bricka	Washer	
8	4	122524352/0	Stift	Pin	
9	4	322319519/0	Handtag	Fixing Lever Handle	
10	2	122943016/0	Skruv	Screw	
11	2	322246102/0	Handtag Länk	Handle Joint	
12	2	122430210/0	Fjäder	Bearing	
13	2	322745055/0	Lock för Handtag gra, Höger Side	Right Joint	
14	5	112728714/0	Skruv	Screw	
15	1	322745056/0	Vänstergra Lock för Handtag	Left Joint	
16	2	122943017/0	Skruv	Screw	
18	2	118566112/0	Plugg	Polyethylene Push Road	
19	2	381007513/0	Handtag-Övre	Handle Lower Part	
20	1	381007514/1	Handtag	Handle Lower Part	Left + Right Part
21	1	112521320/0	Bricka	Washer	





Utgåva Issue 3 - 2016		Kniv Blade			
Pos. Fig.	Antal Q.ty	Art nr Part No	Benämning	Description	Anmärkning Notes
1	1	381004352/1	Skruv	Screw	
2	1	181004156/0	Kniv	Blade	
3	1	322465644/1	Knivfäste	Blade Hub	
4	8	112728699/0	Skruv	Screw	
5	1	322207227/0	Kabelfäste	Fairlead	
6	1	118563516/1	Elmotor Batteri	Engine Battey	48V
7	1	118206003/0	Kontroller	Controller	48V
8	1	112728714/0	Skruv	Screw	
9	1	322393686/0	VänsterBatteri Fläns	Left Battery Flange Wall	

code	pos.	q.ty	page				
112521320/0	21	1	p. 7	381007514/1	5	1	p. 7
112523050/0	7	4	p. 7	381007514/1	20	1	p. 7
112604903/0	5	4	p. 3	381600524/1	2	1	p. 7
112728699/0	4	8	p. 9				
112728713/0	4	11	p. 7				
112728714/0	5	10	p. 5				
112728714/0	8	1	p. 9				
112728714/0	8	8	p. 3				
112728714/0	14	5	p. 7				
113300215/0	22	1	p. 5				
118206003/0	7	1	p. 9				
118210028/0	25	1	p. 5				
118563516/1	6	1	p. 9				
118566112/0	18	2	p. 7				
122033424/0	14	1	p. 3				
122033425/0	6	1	p. 3				
122192000/1	6	1	p. 7				
122430210/0	12	2	p. 7				
122446195/0	11	1	p. 3				
122450470/0	6	1	p. 5				
122450472/0	23	1	p. 5				
122450473/0	21	1	p. 5				
122524352/0	8	4	p. 7				
122943016/0	10	2	p. 7				
122943017/0	16	2	p. 7				
181004156/0	2	1	p. 9				
322055165/0	20	1	p. 5				
322055168/0	1	1	p. 5				
322055528/0	2	1	p. 5				
322066783/0	1	1	p. 3				
322066783/0	1	1	p. 3				
322066784/0	1	1	p. 3				
322076570/1	17	1	p. 5				
322109565/0	3	1	p. 5				
322109899/0	4	1	p. 5				
322140242/0	18	1	p. 5				
322207227/0	5	1	p. 9				
322246102/0	11	2	p. 7				
322291070/0	1	1	p. 7				
322291071/0	3	1	p. 7				
322319519/0	9	4	p. 7				
322393686/0	9	1	p. 9				
322393718/0	12	1	p. 5				
322393719/0	13	1	p. 5				
322465644/1	3	1	p. 9				
322486323/0	11	1	p. 5				
322486393/0	9	1	p. 5				
322486394/0	10	1	p. 5				
322524354/0	10	1	p. 3				
322524355/0	24	1	p. 5				
322524356/0	7	1	p. 5				
322545142/0	7	2	p. 3				
322545222/0	19	1	p. 5				
322600288/0	8	1	p. 5				
322686104/0	16	2	p. 3				
322686105/0	3	2	p. 3				
322745055/0	13	2	p. 7				
322745056/0	15	1	p. 7				
322785414/1	9	1	p. 3				
322785415/0	13	2	p. 3				
322785438/0	15	1	p. 3				
322785449/0	18	1	p. 3				
322785450/0	2	1	p. 3				
322869690/0	12	1	p. 3				
381004352/1	1	1	p. 9				
381007513/0	19	2	p. 7				