



Reservdelskatalog Parts Catalogue

COMBI 48 E

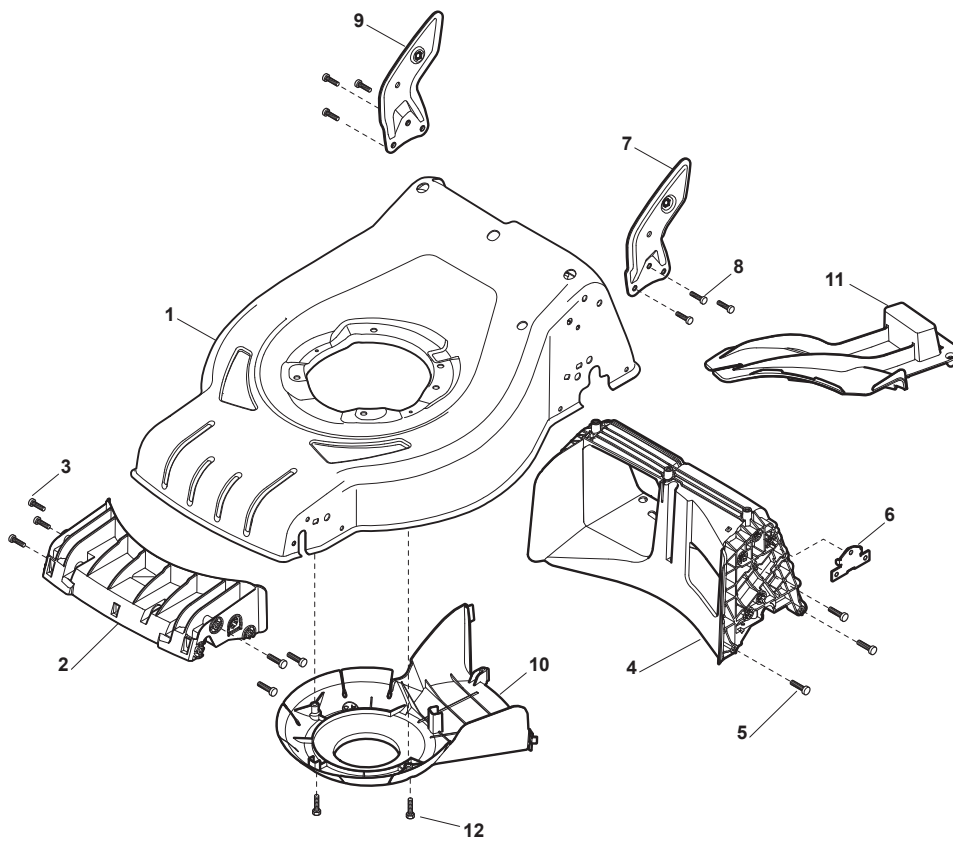
295487068/S14 - Season 2015

- Use GLOBAL GARDEN PRODUCT Genuine Spare Parts specified in the parts list for repair and/or replacement.
 - The contents described in the parts list may change due to improvement.
 - The drawings of the spare parts are only indicative and might not represent the part in question exactly.
 - The indications "right" - "left" - "front" - "rear" refer to the position of the operator when using the machine.
- When placing orders of parts for repair and/or replacement, make sure that the illustrated parts list is the one applying to the machine's year of manufacture, as shown on the identification plate attached to the machine.

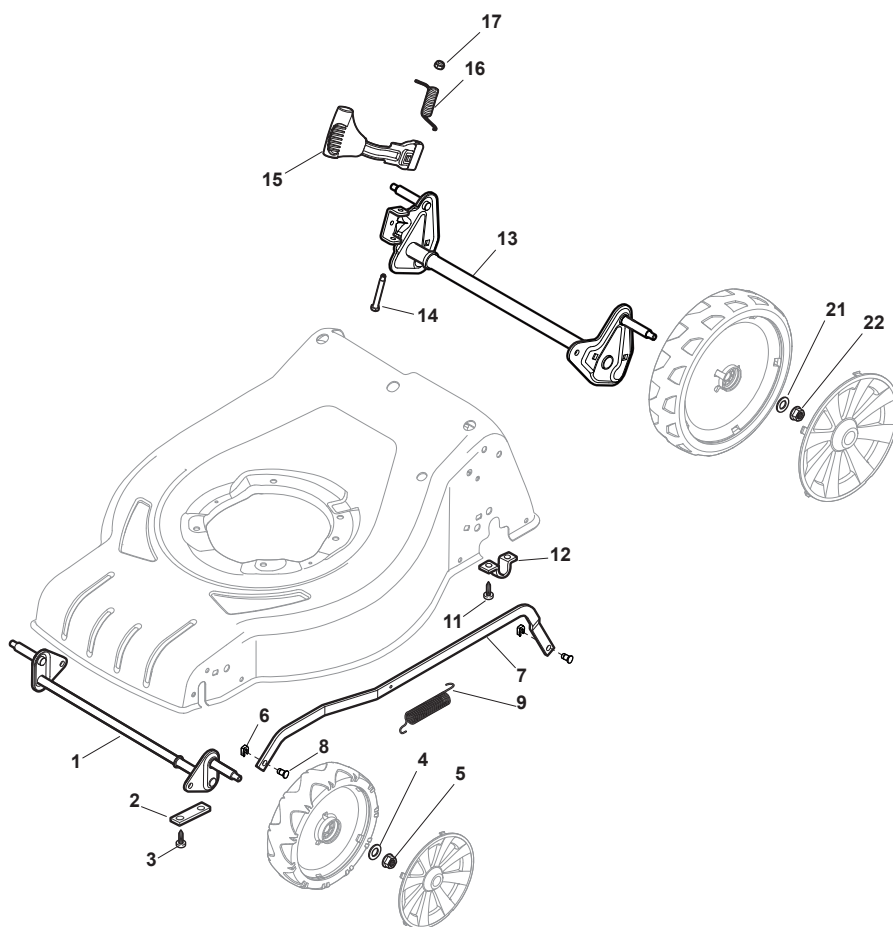
© Copyright 2015 Global Garden Products

All rights reserved. No part of this material may be reproduced or transmitted, in any form or by any means, electronic or mechanical, including photocopying, recording or by any information storage and retrieval system, without permission in writing from GLOBAL GARDEN PRODUCTS.

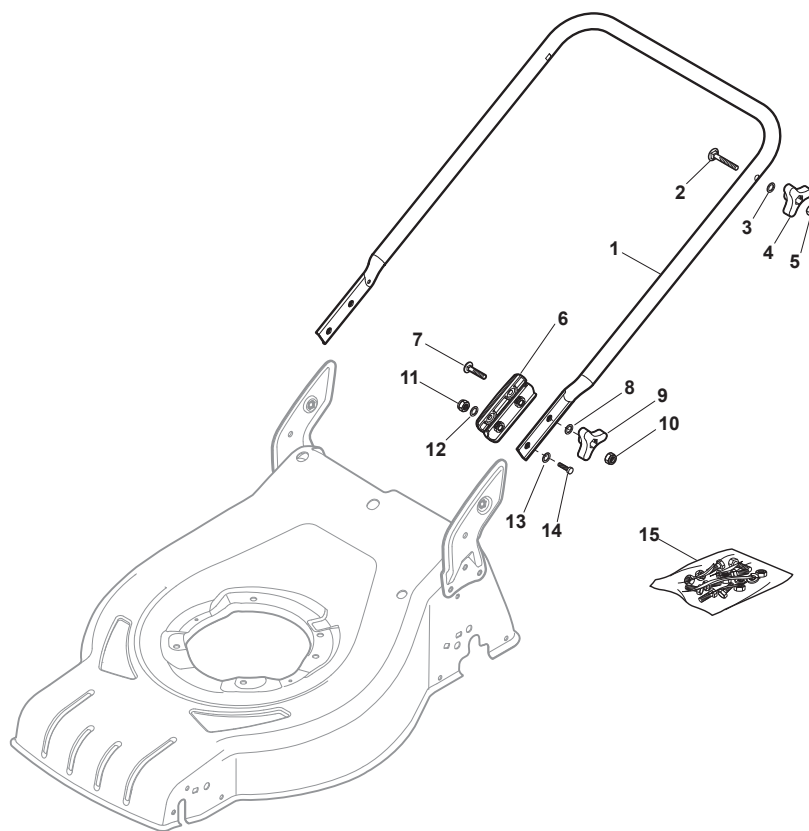
www.stiga.com



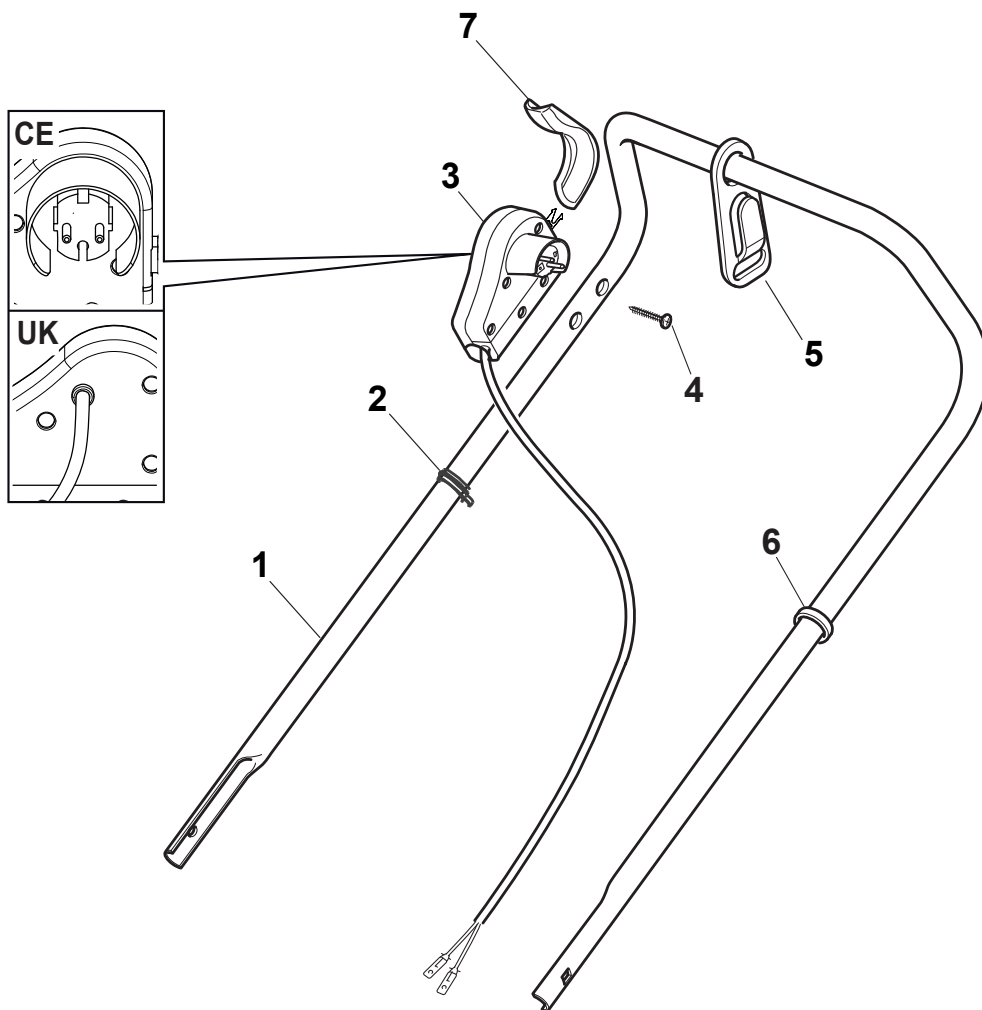
Utgåva Issue 4 - 2015		Kapa Deck			
Pos. Fig.	Antal Quantity	Art nr Part No	Benämning	Description	Anmärkning Notes
1	1	381004729/0	Chassi-gra	Grey Deck	
2	1	322108301/1	Plastfront Transportör	Front Conveyor Assy	
3	6	112728699/0	Skruv	Screw	
4	1	322108302/0	Bakre skyddLuftledare	Rear Conveyor Assy	
5	6	112728699/0	Skruv	Screw	
6	2	322545213/0	Plat	Plate	
7	1	381005139/0	Fäste-vä	Left Bracket	
8	6	112727801/0	Skruv	Screw	
9	1	381005137/0	Fäste-hö	Right Bracket	
10	1	322060242/0	Remskydd	Belt Protection	
11	1	322140239/0	Mulcherinsats	Mulching Deflector	
12	2	112728530/0	Skruv	Screw	



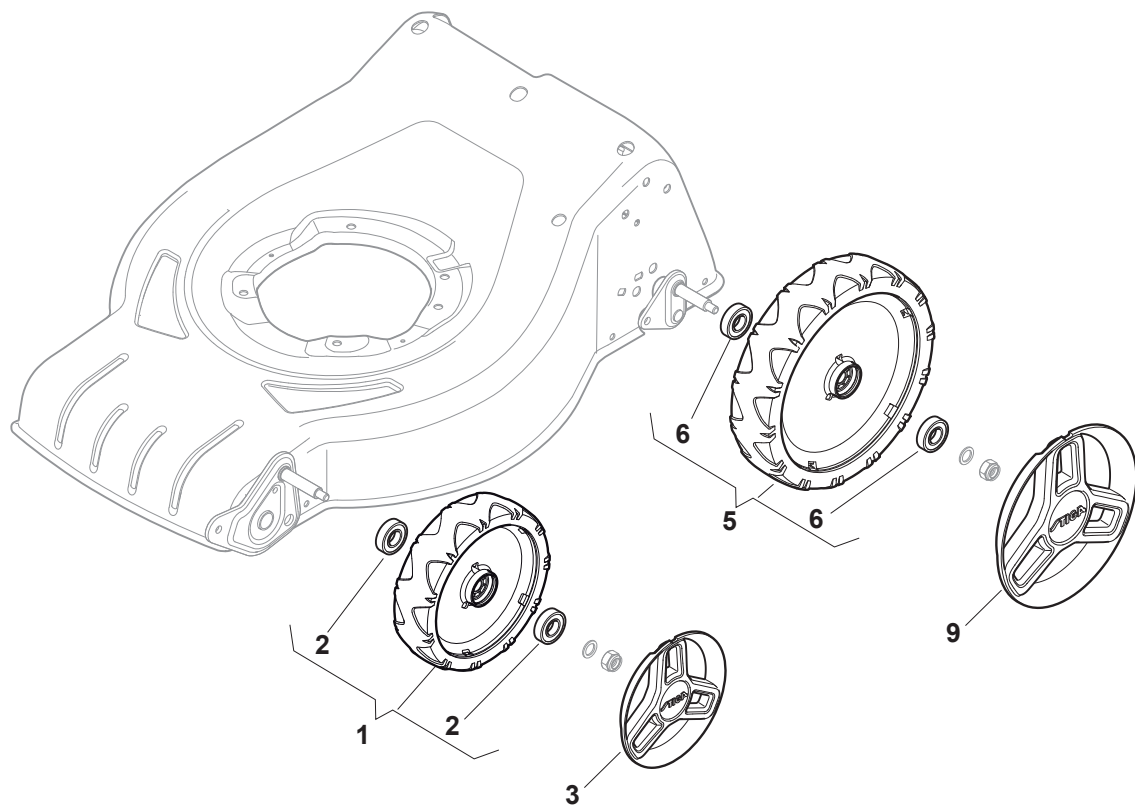
Utgåva Issue 4 - 2015		Höjdställning Height Adjusting			
Pos. Fig.	Antal Quantity	Art nr Part No	Benämning	Description	Anmärkning Notes
1	1	381302821/0	Hjulaxel-fram	Front Wheel Axle	
2	2	322545142/0	Plat	Plate	
3	4	112728698/0	Skruv	Screw	
4	2	112521350/0	Bricka	Washer	
5	2	112155000/0	Mutter	Nut	
6	2	112436051/0	Plat	Plate	
8	2	122519820/0	Stift	Pin	
9	1	122446193/0	Fjäder	Spring	
11	4	112728698/0	Skruv	Screw	
12	2	322545152/0	Plat	Plate	
13	1	381302815/0	Hjulaxel-bakre	Rear Wheel Axle	
14	1	122534131/0	Stift	Pin	
15	1	381003357/0	Hjuls BakreAdj. Spak	Wheels Rear Adj. Lever	
16	1	122446192/0	Fjäder	Spring	
17	1	112154510/0	Mutter	Nut	
21	2	112521350/0	Bricka	Washer	
22	2	112155000/0	Mutter	Nut	



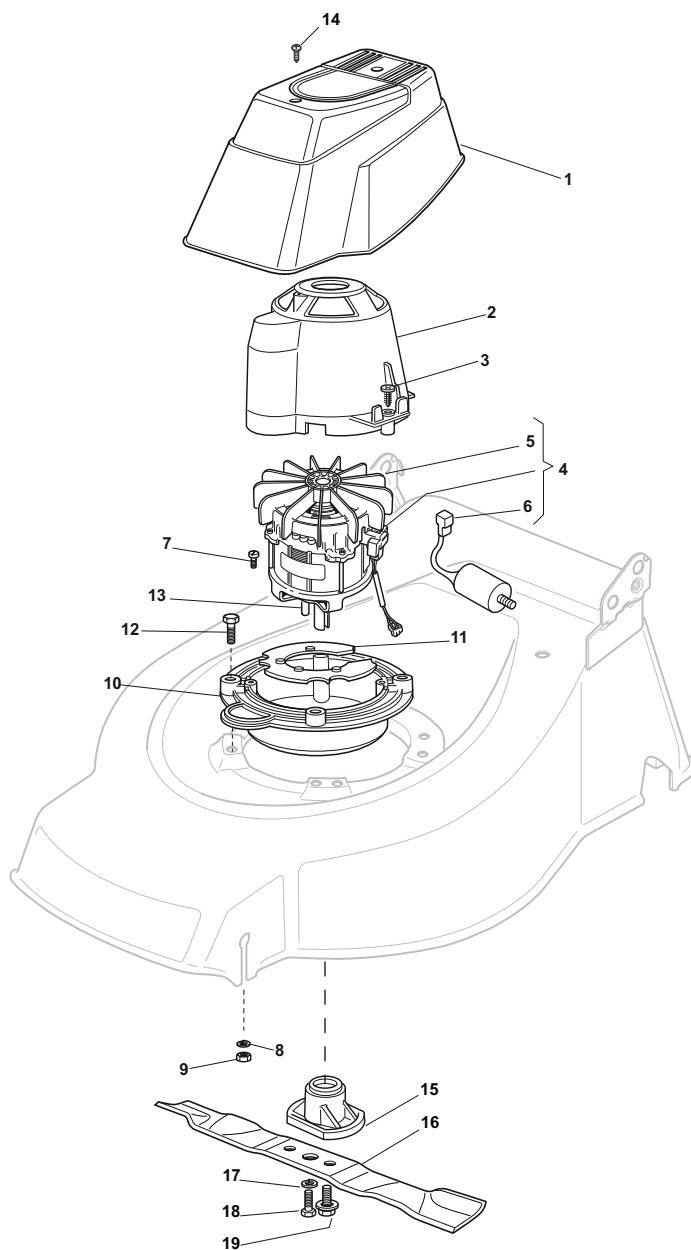
Utgåva Issue 4 - 2015		Reglage, nedre Handle, Lower Part			
Pos. Fig.	Antal Quantity	Art nr Part No	Benämning	Description	Anmärkning Notes
1	1	381006735/0	Handtag, nedre	Handle Lower Part	
2	2	112819110/0	Skruv	Screw	
3	2	112523060/0	Bricka	Washer	
4	2	122399900/0	Knopp	Knob	Black
5	2	112293200/0	Mutter	Nut	
6	2	322551582/0	Fäste	Inside Plaque Insulation	
7	2	112819110/0	Skruv	Screw	
8	2	112523060/0	Bricka	Washer	
9	2	122399900/0	Knopp	Knob	Black
10	2	112293200/0	Mutter	Nut	
11	2	112155000/0	Mutter	Nut	
12	2	112521350/0	Bricka	Washer	
13	2	112521350/0	Bricka	Washer	
14	2	112793701/0	Skruv	Screw	
15	1	381008698/0	Skrusats	Outfit, Screws	Black



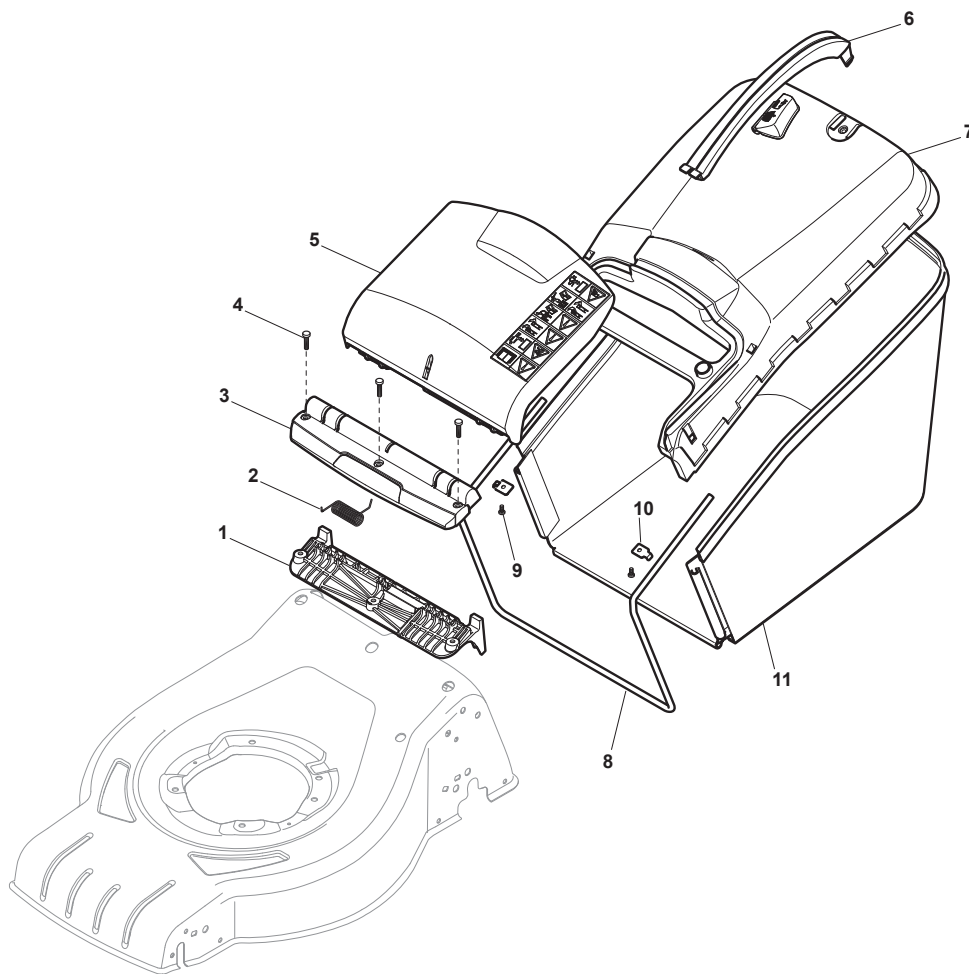
Utgåva Issue 4 - 2015		Reglage, övre Handle, Upper Part			
Pos. Fig.	Antal Quantity	Art nr Part No	Benämning	Description	Anmärkning Notes
1	1	381007017/2	Styre-överdel	Handle, Upper Part	
2	2	122192000/1	Kabelhallare	Clamp	
3	1	381600547/0	Manöverdosa CE	Dead Hand Switch CE	(CE)
4	2	112728701/0	Skruv	Screw	
5	1	322195101/4	Kabelfäste	Fairlead	
6	1	122192151/0	Kabelhallare	Fairlead Holder Clamp	
7	1	322319529/0	Manöverdosa Spak	Leva Salvamotore	
CE	1	381600547/0	Manöverdosa CE	Dead Hand Switch CE	
UK	1	381600548/0	Manöverdosa UK	Dead Hand Switch UK	



Utgåva Issue 4 - 2015		Hjul och navkapsel Wheels and Hub Caps			
Pos. Fig.	Antal Quantity	Art nr Part No	Benämning	Description	Anmärkning Notes
1	2	381007450/1	Hjul	Wheel	
2	4	119216035/0	Lager	Bearing	
3	2	322110744/0	Navkapsel Gra	Hub Cap Grey	
5	2	381007456/1	Hjul	Wheel	
6	4	119216035/0	Lager	Bearing	
9	2	322110745/0	Navkapsel Gra	Hub Cap Grey	



Utgåva Issue 4 - 2015		Elmotor/Kniv Electric Motor/Blade			
Pos. Fig.	Antal Quantity	Art nr Part No	Benämning	Description	Anmärkning Notes
1	1	122055045/1	Kapa Svart	Cover, Black	
1	1	322055139/0	Kapa, gul	Cover, Yellow	
2	1	322785210/1	Kapstöd	Support, Cover	
3	4	112728710/0	Skruv	Screw	
4	1	118563605/0	Elmotor 1600W	Electric Motor 1600W	ATB 230V (1600W)
5	1	118740054/0	Fläkt	Fan Motor Atb	ATB
6	1	118222045/0	Kondensator (16 Uf)	Condenser 16 µf	(Atb - 1600W)
7	4	112735410/0	Skruv	Screw	
8	4	112583500/0	Lasbricka	Grower	
9	4	112293200/0	Mutter	Nut	
10	1	322207211/4	Fläns	Electrical Motor Flange	
11	1	322720360/2	Ventilationsskärm	Ventilation Screen	
12	4	112793700/0	Skruv	Screw	
13	1	112139440/0	Kil	Key	
14	2	112728680/0	Skruv	Screw	
15	1	322463186/3	Knivfäste	Blade Hub	
16	1	181004346/3	Kniv	Blade	
16	1	181004397/0	Kniv	Blade Winged	
17	2	112583500/0	Lasbricka	Grower	
18	2	112793101/0	Skruv	Screw	
19	1	381004352/1	Skruv	Screw	



Utgåva Issue 4 - 2015		Gräsuppsamlare Grass-Catcher			
Pos. Fig.	Antal Quantity	Art nr Part No	Benämning	Description	Anmärkning Notes
1	1	322785331/0	Stenskydd Supp. Svart	Black Stone Guard Support	
2	1	122450464/0	Fjäder	Spring	
3	1	322109556/0	Stenskydd Supp.kapa gul	Stone Guard Supp. Cover Yellow	Yellow
4	3	112728699/0	Skruv	Screw	
5	1	322600214/1	Lucka-gul	Stone Guard, Yellow	Yellow
6	1	322393715/0	Handtag Gra	Handle, Grey	Grey NCSS-N
7	1	381486016/0A	Uppsamlare-överdel	Grass-Box, Upper Part Yellow	Yellow
8	1	122608561/0	Tradbygel	Stiffening Lower	
9	2	112728692/0	Skruv	Screw	
10	2	322545159/0	Plat	Plate	
11	1	181002318/0	Uppsamlingsäck	Box, Fabric	

code	pos.	q.ty	page				
112139440/0	13	1	p. 13	322545142/0	2	2	p. 5
112154510/0	17	1	p. 5	322545152/0	12	2	p. 5
112155000/0	5	2	p. 5	322545159/0	10	2	p. 15
112155000/0	11	2	p. 7	322545213/0	6	2	p. 3
112155000/0	22	2	p. 5	322551582/0	6	2	p. 7
112293200/0	5	2	p. 7	322600214/1	5	1	p. 15
112293200/0	9	4	p. 13	322720360/2	11	1	p. 13
112293200/0	10	2	p. 7	322785210/1	2	1	p. 13
112436051/0	6	2	p. 5	322785331/0	1	1	p. 15
112521350/0	4	2	p. 5	381003357/0	15	1	p. 5
112521350/0	12	2	p. 7	381004352/1	19	1	p. 13
112521350/0	13	2	p. 7	381004729/0	1	1	p. 3
112521350/0	21	2	p. 5	381005137/0	9	1	p. 3
112523060/0	3	2	p. 7	381005139/0	7	1	p. 3
112523060/0	8	2	p. 7	381006735/0	1	1	p. 7
112583500/0	8	4	p. 13	381007017/2	1	1	p. 9
112583500/0	17	2	p. 13	381007450/1	1	2	p. 11
112727801/0	8	6	p. 3	381007456/1	5	2	p. 11
112728530/0	12	2	p. 3	381008698/0	15	1	p. 7
112728680/0	14	2	p. 13	381302815/0	13	1	p. 5
112728692/0	9	2	p. 15	381302821/0	1	1	p. 5
112728698/0	3	4	p. 5	381486016/0A	7	1	p. 15
112728698/0	11	4	p. 5	381600547/0	3	1	p. 9
112728699/0	3	6	p. 3	381600547/0	CE	1	p. 9
112728699/0	4	3	p. 15	381600548/0	UK	1	p. 9
112728699/0	5	6	p. 3				
112728701/0	4	2	p. 9				
112728710/0	3	4	p. 13				
112735410/0	7	4	p. 13				
112793101/0	18	2	p. 13				
112793700/0	12	4	p. 13				
112793701/0	14	2	p. 7				
112819110/0	2	2	p. 7				
112819110/0	7	2	p. 7				
118222045/0	6	1	p. 13				
118563605/0	4	1	p. 13				
118740054/0	5	1	p. 13				
119216035/0	2	4	p. 11				
119216035/0	6	4	p. 11				
122055045/1	1	1	p. 13				
122192000/1	2	2	p. 9				
122192151/0	6	1	p. 9				
122399900/0	4	2	p. 7				
122399900/0	9	2	p. 7				
122446192/0	16	1	p. 5				
122446193/0	9	1	p. 5				
122450464/0	2	1	p. 15				
122519820/0	8	2	p. 5				
122534131/0	14	1	p. 5				
122608561/0	8	1	p. 15				
181002318/0	11	1	p. 15				
181004346/3	16	1	p. 13				
181004397/0	16	1	p. 13				
322055139/0	1	1	p. 13				
322060242/0	10	1	p. 3				
322108301/1	2	1	p. 3				
322108302/0	4	1	p. 3				
322109556/0	3	1	p. 15				
322110744/0	3	2	p. 11				
322110745/0	9	2	p. 11				
322140239/0	11	1	p. 3				
322195101/4	5	1	p. 9				
322207211/4	10	1	p. 13				
322319529/0	7	1	p. 9				
322393715/0	6	1	p. 15				
322463186/3	15	1	p. 13				