



## **Reservdelskatalog Parts Catalogue**

# **COMBI 40 E**

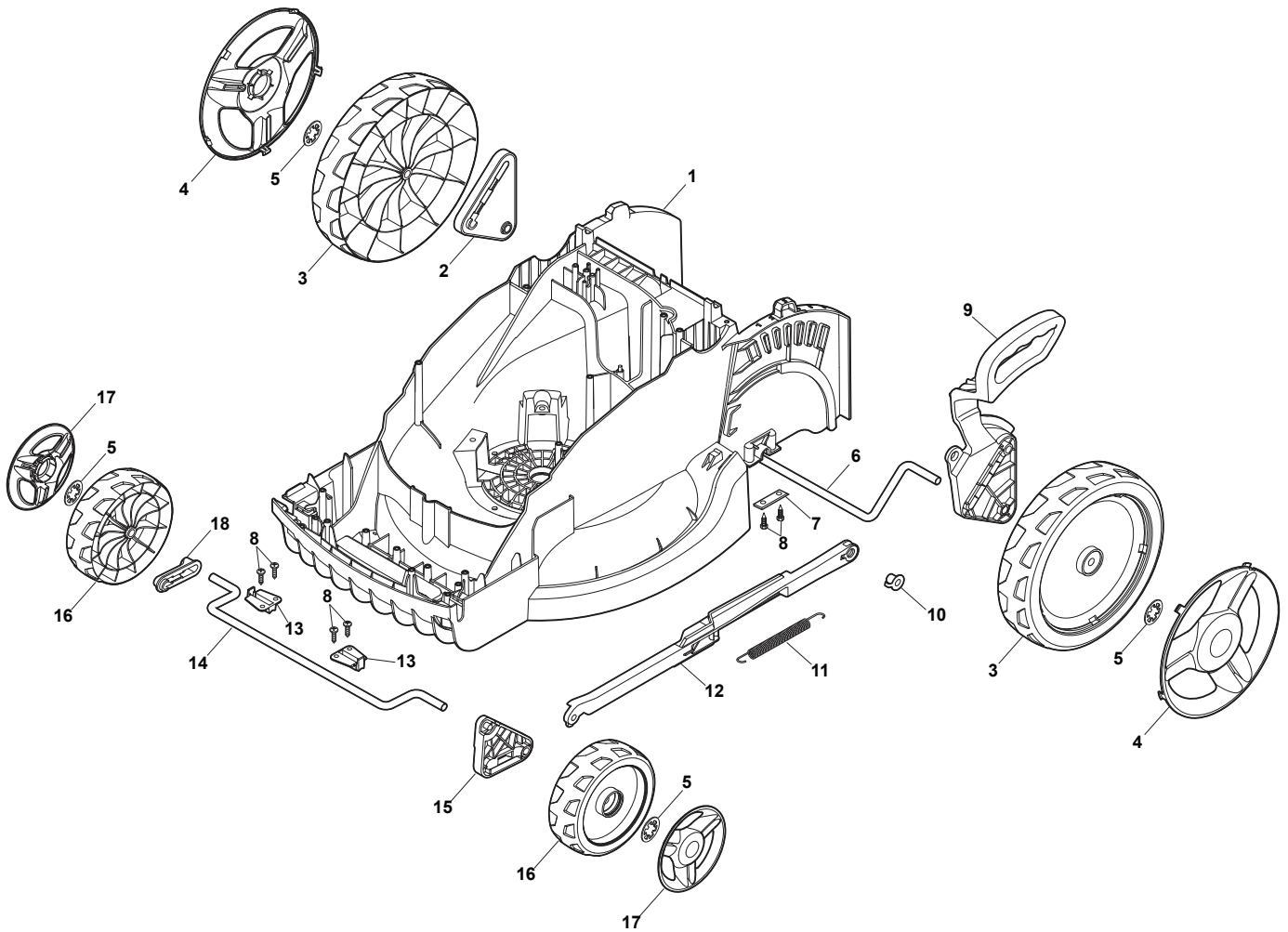
**294380068/S14 - Season 2015**

- Use GLOBAL GARDEN PRODUCT Genuine Spare Parts specified in the parts list for repair and/or replacement.
  - The contents described in the parts list may change due to improvement.
  - The drawings of the spare parts are only indicative and might not represent the part in question exactly.
  - The indications "right" - "left" - "front" - "rear" refer to the position of the operator when using the machine.
- When placing orders of parts for repair and/or replacement, make sure that the illustrated parts list is the one applying to the machine's year of manufacture, as shown on the identification plate attached to the machine.

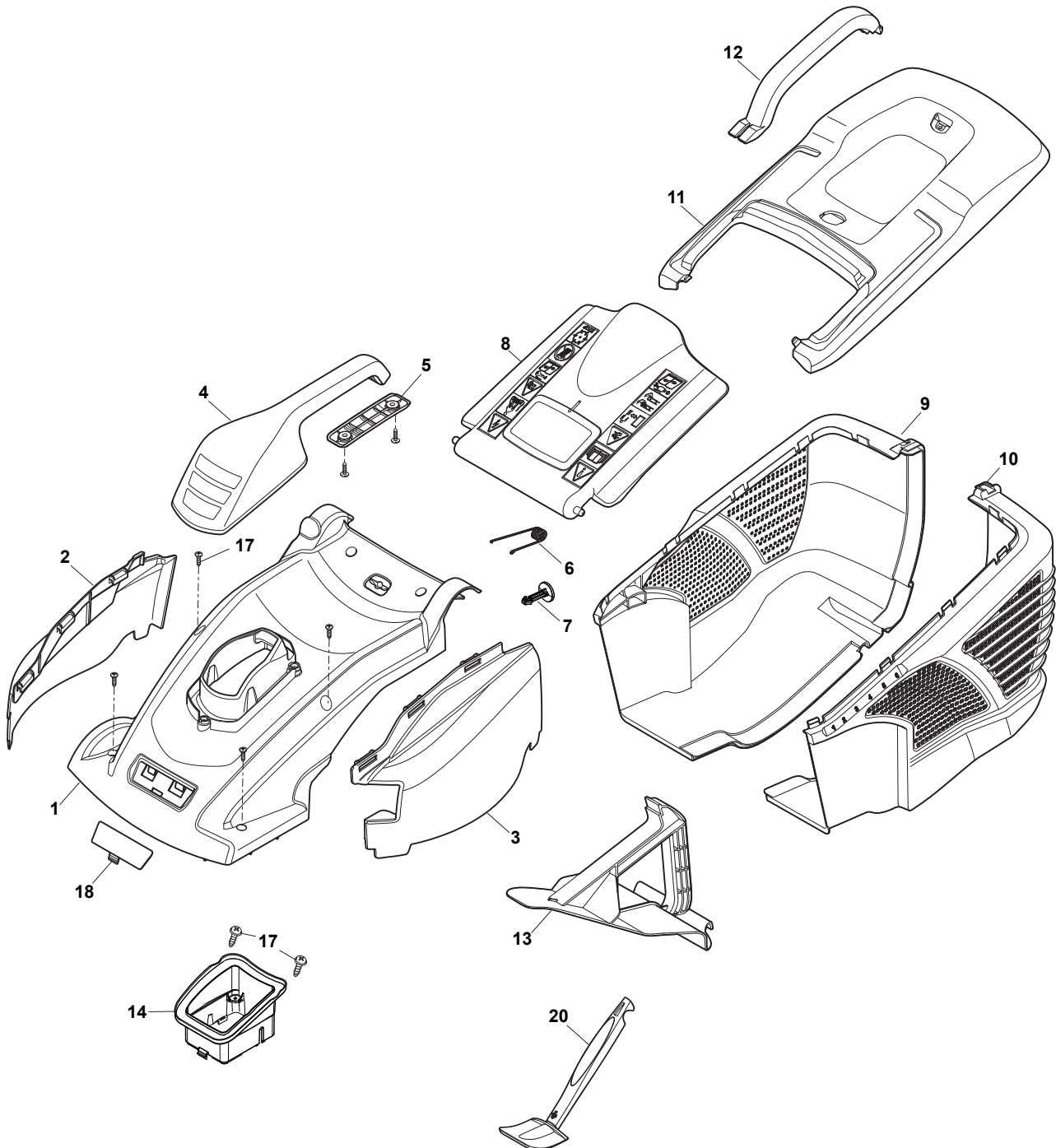
© Copyright 2015 Global Garden Products

All rights reserved. No part of this material may be reproduced or transmitted, in any form or by any means, electronic or mechanical, including photocopying, recording or by any information storage and retrieval system, without permission in writing from GLOBAL GARDEN PRODUCTS.

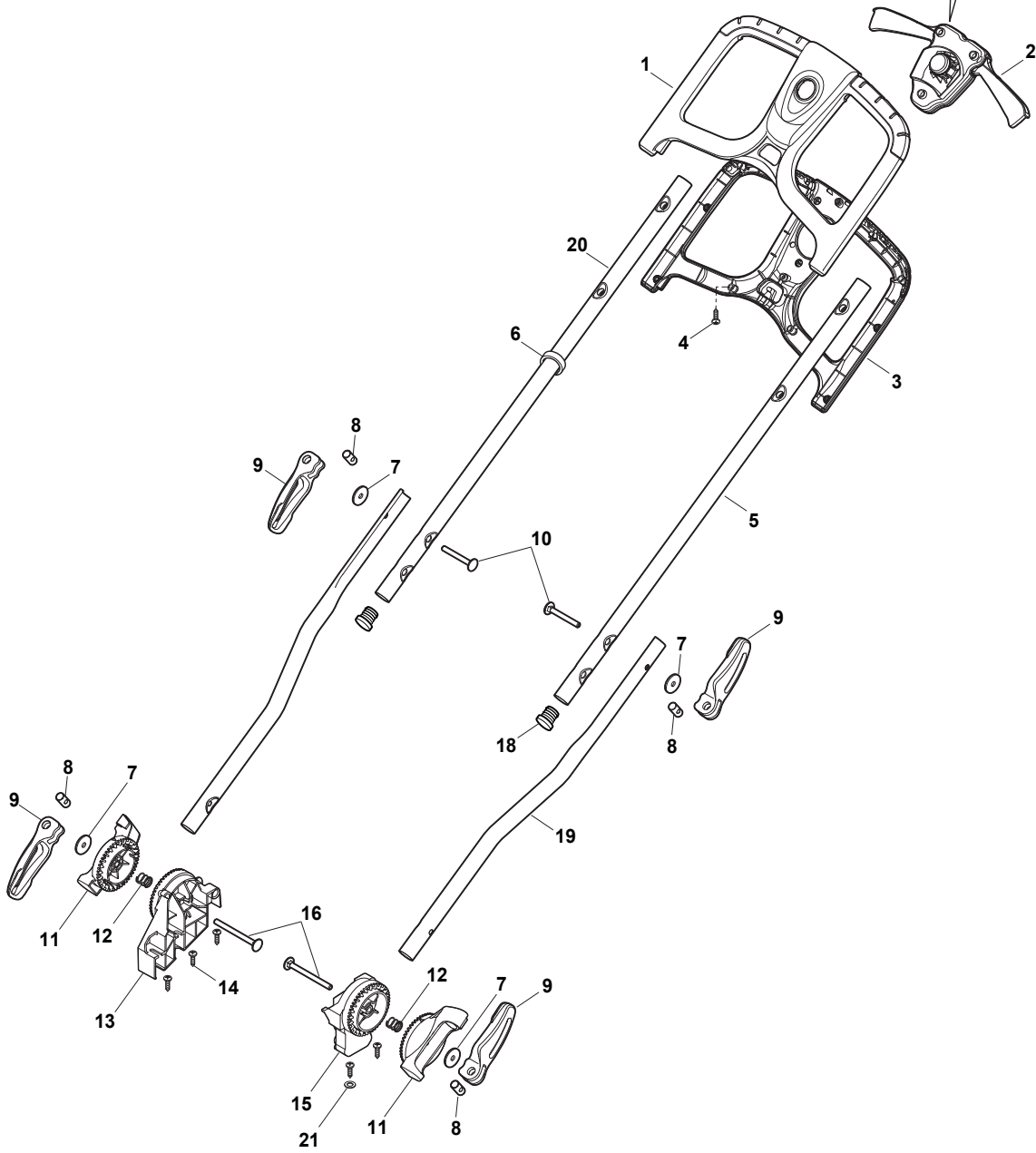
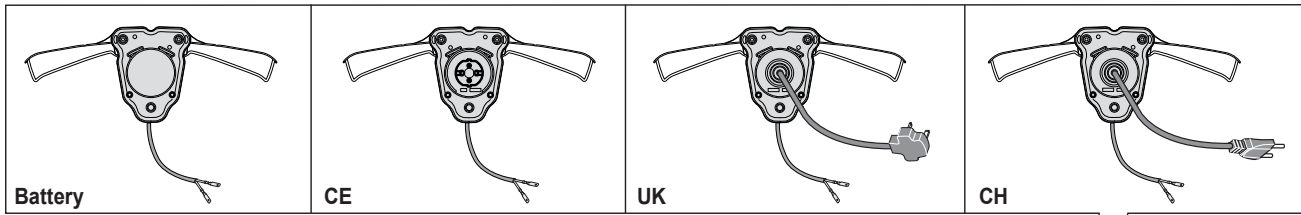
[www.stiga.com](http://www.stiga.com)



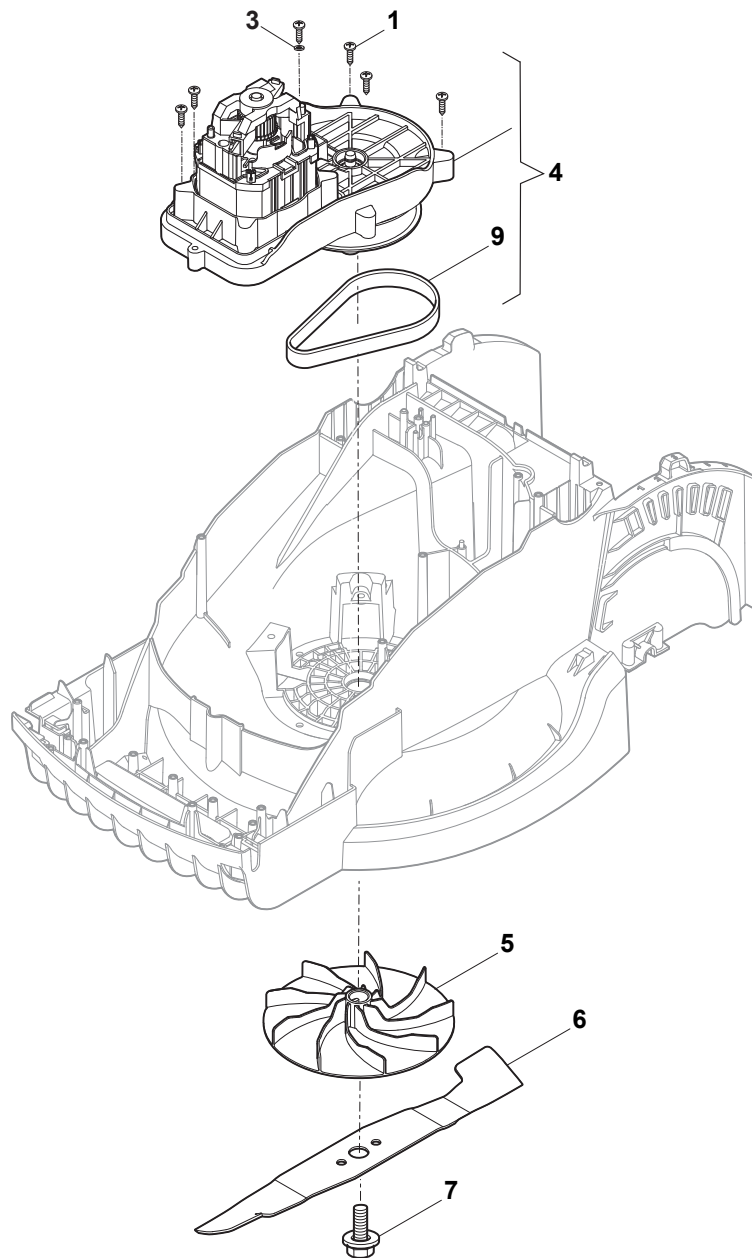
| Utgåva<br>Issue<br>3 - 2015 |                   | Kapa och höjdställning |                    | Deck And Height Adjusting |                     |
|-----------------------------|-------------------|------------------------|--------------------|---------------------------|---------------------|
| Pos.<br>Fig.                | Antal<br>Quantity | Art nr<br>Part No      | Benämning          | Description               | Anmärkning<br>Notes |
| 1                           | 1                 | 322066783/0            | Chassi gra         | Deck STIGA Grey           |                     |
| 2                           | 1                 | 322785450/0            | Hjulhallare        | Support, Wheel            |                     |
| 12                          | 1                 | 322869690/0            | Höjdstycketsstag   | Rod, Height Adjustment    |                     |
| 15                          | 1                 | 322785438/0            | Hjulhallare        | Support, Wheel            |                     |
| 18                          | 1                 | 322785449/0            | Hjulhallare        | Support, Wheel            |                     |
| 3                           | 2                 | 322686105/0            | Hjul               | Wheel                     |                     |
| 4                           | 2                 | 322110684/0            | Navkapsel-gra      | Hub Cap Grey              |                     |
| 5                           | 4                 | 112604903/0            | Bricka             | Washer                    |                     |
| 6                           | 1                 | 122033425/0            | Hjulaxel-bakre     | Rear Wheel Axle           |                     |
| 7                           | 2                 | 322545142/0            | Plat               | Plate                     |                     |
| 8                           | 8                 | 112728714/0            | Skruv              | Screw                     |                     |
| 9                           | 1                 | 322785414/1            | Höjdställningsspak | Lever, Height Adjustment  |                     |
| 10                          | 1                 | 322524354/0            | Stift              | Pin                       |                     |
| 11                          | 1                 | 122446195/0            | Fjäder             | Spring                    |                     |
| 13                          | 2                 | 322785415/0            | Plat               | Plate                     |                     |
| 14                          | 1                 | 122033424/0            | Hjulaxel-bakre     | Rear Wheel Axle           |                     |
| 16                          | 2                 | 322686104/0            | Hjul               | Wheel                     |                     |
| 17                          | 2                 | 322110683/0            | Navkapsel-Gra      | Hub Cap Grey              |                     |



| Utgåva<br>Issue<br>3 - 2015 |                   | Kapa<br>Deck      |                          |                             |                     |
|-----------------------------|-------------------|-------------------|--------------------------|-----------------------------|---------------------|
| Pos.<br>Fig.                | Antal<br>Quantity | Art nr<br>Part No | Benämning                | Description                 | Anmärkning<br>Notes |
| 12                          | 1                 | 322393718/0       | Handtag                  | Handle                      |                     |
| 10                          | 1                 | 322486394/0       | Bag Vänsterunderdel gra  | Grass-Box, Left Lower Part  |                     |
| 9                           | 1                 | 322486293/0       | Bag Höger underdel gra   | Grass-Box, Right Lower Part |                     |
| 8                           | 1                 | 322600288/0       | Lucka gra                | Stone Guard, Grey           |                     |
| 4                           | 1                 | 322393720/0       | Handtag                  | Handle                      |                     |
| 3                           | 1                 | 322109899/0       | Kapa                     | Right Side Cover            |                     |
| 2                           | 1                 | 322109565/0       | Kapa                     | Left Side Cover             |                     |
| 1                           | 1                 | 322055158/0       | Kapa-Vit                 | White Cover                 | White               |
| 1                           | 1                 | 322055175/0       | Kapa gul                 | Yellow Cover                | Yellow              |
| 5                           | 1                 | 322393659/0       | Handtag, nedresKapa, gul | Handle, Lower Part          |                     |
| 6                           | 1                 | 122450470/0       | Fjäder                   | Spring                      |                     |
| 7                           | 1                 | 322524356/0       | Stift                    | Pin                         |                     |
| 11                          | 1                 | 322486323/0       | Bag gul överdel          | Grass-Box, Upper Part       |                     |
| 13                          | 1                 | 322140242/0       | Mulching Plugg-Gra       | Mulching Plug               |                     |
| 14                          | 1                 | 322393672/0       | Hus, motor               | Engine Protection           |                     |
| 17                          | 12                | 112728714/0       | Skruv                    | Screw                       |                     |
| 18                          | 1                 | 322055168/0       | Täckplat-Gra             | Front Plate                 |                     |
| 20                          | 1                 | 113300215/0       | Scraper                  | Scraper                     |                     |



| Utgåva<br>Issue<br>3 - 2015 |                   | Reglage, övre<br>Handle, Upper Part |                                  |                            |                     |
|-----------------------------|-------------------|-------------------------------------|----------------------------------|----------------------------|---------------------|
| Pos.<br>Fig.                | Antal<br>Quantity | Art nr<br>Part No                   | Benämning                        | Description                | Anmärkning<br>Notes |
| 11                          | 2                 | 322246102/0                         | Handtag Länk                     | Handle Joint               |                     |
| 13                          | 2                 | 322745055/0                         | Lock för Handtag gra, Höger Side | Right Joint                |                     |
| 15                          | 1                 | 322745056/0                         | Vänstergra Lock för Handtag      | Left Joint                 |                     |
| 1                           | 1                 | 322291070/0                         | Handtagshalva, övre brytare      | Upper Half Handgrip Switch |                     |
| 2                           | 1                 | 381600521/1                         | Manöverdosa                      | Dead Hand Switch           | CE Plugg            |
| 3                           | 1                 | 322291071/0                         | Handtagshalva, undre brytare     | Lower Half Handgrip Switch |                     |
| 4                           | 11                | 112728713/0                         | Skruv                            | Screw                      |                     |
| 5                           | 1                 | 381007515/0                         | Handtag                          | Handle Lower Part          |                     |
| 6                           | 1                 | 122192000/1                         | Kabelhallare                     | Clamp                      |                     |
| 7                           | 4                 | 112523050/0                         | Bricka                           | Washer                     |                     |
| 8                           | 4                 | 122524352/0                         | Stift                            | Pin                        |                     |
| 9                           | 4                 | 322319519/0                         | Handtag                          | Fixing Lever Handle        | Yellow              |
| 10                          | 2                 | 122943016/0                         | Skruv                            | Screw                      |                     |
| 12                          | 2                 | 122430210/0                         | Fjäder                           | Bearing                    |                     |
| 14                          | 5                 | 112728714/0                         | Skruv                            | Screw                      |                     |
| 16                          | 2                 | 122943017/0                         | Skruv                            | Screw                      |                     |
| 18                          | 2                 | 118566112/0                         | Plugg                            | Push Road                  |                     |
| 19                          | 2                 | 381007513/0                         | Handtag-Övre                     | Handle Lower Part          |                     |
| 20                          | 1                 | 381007514/0                         | Handtag Rh överdel               | Right Handle, Lower Part   |                     |
| 21                          | 1                 | 112521320/0                         | Bricka                           | Washer                     |                     |





| Utgåva<br>Issue<br>3 - 2015 |                   | Elmotor/Kniv<br>Electric Motor/Blade |               |                      |                     |
|-----------------------------|-------------------|--------------------------------------|---------------|----------------------|---------------------|
| Pos.<br>Fig.                | Antal<br>Quantity | Art nr<br>Part No                    | Benämning     | Description          | Anmärkning<br>Notes |
| 1                           | 4                 | 112728699/0                          | Skruv         | Screw                |                     |
| 3                           | 1                 | 112523020/0                          | Bricka        | Washer               |                     |
| 4                           | 1                 | 118563696/1                          | Elmotor 1600W | Electric Motor 1600W |                     |
| 5                           | 1                 | 322465644/1                          | Nav           | Hub                  |                     |
| 6                           | 1                 | 181004154/0                          | Kniv          | Blade                |                     |
| 7                           | 1                 | 381004352/1                          | Skruv         | Screw                |                     |
| 9                           | 1                 | 118810092/0                          | Drivrem       | Belt                 |                     |

| code        | pos. | q.ty | page |
|-------------|------|------|------|
| 112521320/0 | 21   | 1    | p. 7 |
| 112523020/0 | 3    | 1    | p. 9 |
| 112523050/0 | 7    | 4    | p. 7 |
| 112604903/0 | 5    | 4    | p. 3 |
| 112728699/0 | 1    | 4    | p. 9 |
| 112728713/0 | 4    | 11   | p. 7 |
| 112728714/0 | 8    | 8    | p. 3 |
| 112728714/0 | 14   | 5    | p. 7 |
| 112728714/0 | 17   | 12   | p. 5 |
| 113300215/0 | 20   | 1    | p. 5 |
| 118563696/1 | 4    | 1    | p. 9 |
| 118566112/0 | 18   | 2    | p. 7 |
| 118810092/0 | 9    | 1    | p. 9 |
| 122033424/0 | 14   | 1    | p. 3 |
| 122033425/0 | 6    | 1    | p. 3 |
| 122192000/1 | 6    | 1    | p. 7 |
| 122430210/0 | 12   | 2    | p. 7 |
| 122446195/0 | 11   | 1    | p. 3 |
| 122450470/0 | 6    | 1    | p. 5 |
| 122524352/0 | 8    | 4    | p. 7 |
| 122943016/0 | 10   | 2    | p. 7 |
| 122943017/0 | 16   | 2    | p. 7 |
| 181004154/0 | 6    | 1    | p. 9 |
| 322055158/0 | 1    | 1    | p. 5 |
| 322055168/0 | 18   | 1    | p. 5 |
| 322055175/0 | 1    | 1    | p. 5 |
| 322066783/0 | 1    | 1    | p. 3 |
| 322109565/0 | 2    | 1    | p. 5 |
| 322109899/0 | 3    | 1    | p. 5 |
| 322110683/0 | 17   | 2    | p. 3 |
| 322110684/0 | 4    | 2    | p. 3 |
| 322140242/0 | 13   | 1    | p. 5 |
| 322246102/0 | 11   | 2    | p. 7 |
| 322291070/0 | 1    | 1    | p. 7 |
| 322291071/0 | 3    | 1    | p. 7 |
| 322319519/0 | 9    | 4    | p. 7 |
| 322393659/0 | 5    | 1    | p. 5 |
| 322393672/0 | 14   | 1    | p. 5 |
| 322393718/0 | 12   | 1    | p. 5 |
| 322393720/0 | 4    | 1    | p. 5 |
| 322465644/1 | 5    | 1    | p. 9 |
| 322486293/0 | 9    | 1    | p. 5 |
| 322486323/0 | 11   | 1    | p. 5 |
| 322486394/0 | 10   | 1    | p. 5 |
| 322524354/0 | 10   | 1    | p. 3 |
| 322524356/0 | 7    | 1    | p. 5 |
| 322545142/0 | 7    | 2    | p. 3 |
| 322600288/0 | 8    | 1    | p. 5 |
| 322686104/0 | 16   | 2    | p. 3 |
| 322686105/0 | 3    | 2    | p. 3 |
| 322745055/0 | 13   | 2    | p. 7 |
| 322745056/0 | 15   | 1    | p. 7 |
| 322785414/1 | 9    | 1    | p. 3 |
| 322785415/0 | 13   | 2    | p. 3 |
| 322785438/0 | 15   | 1    | p. 3 |
| 322785449/0 | 18   | 1    | p. 3 |
| 322785450/0 | 2    | 1    | p. 3 |
| 322869690/0 | 12   | 1    | p. 3 |
| 381004352/1 | 7    | 1    | p. 9 |
| 381007513/0 | 19   | 2    | p. 7 |
| 381007514/0 | 20   | 1    | p. 7 |
| 381007515/0 | 5    | 1    | p. 7 |
| 381600521/1 | 2    | 1    | p. 7 |