



Reservdelskatalog Parts Catalogue

MULTICLIP 47 SQ B

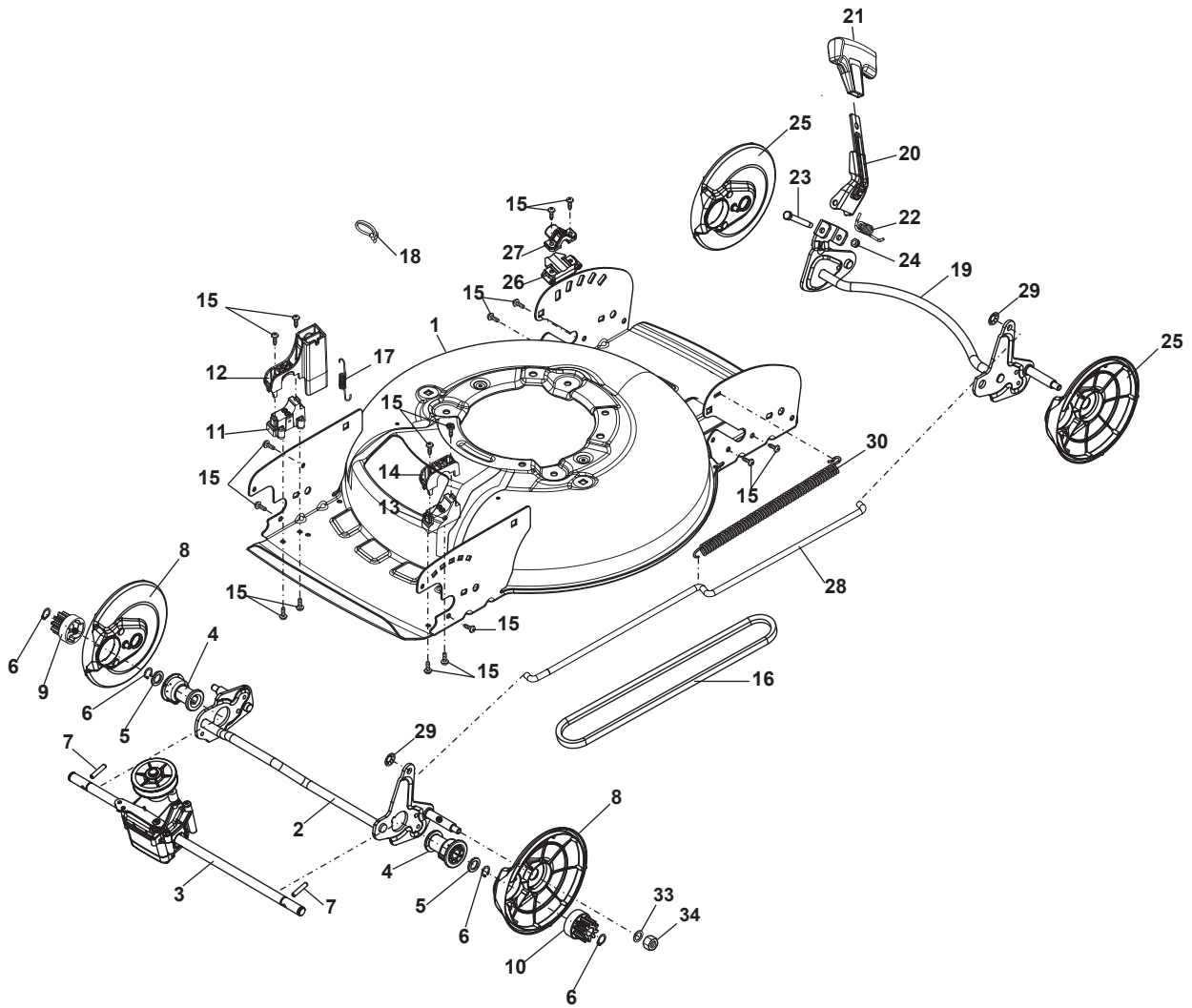
298472828/S15 - Season 2015

- Use GLOBAL GARDEN PRODUCT Genuine Spare Parts specified in the parts list for repair and/or replacement.
 - The contents described in the parts list may change due to improvement.
 - The drawings of the spare parts are only indicative and might not represent the part in question exactly.
 - The indications "right" - "left" - "front" - "rear" refer to the position of the operator when using the machine.
- When placing orders of parts for repair and/or replacement, make sure that the illustrated parts list is the one applying to the machine's year of manufacture, as shown on the identification plate attached to the machine.

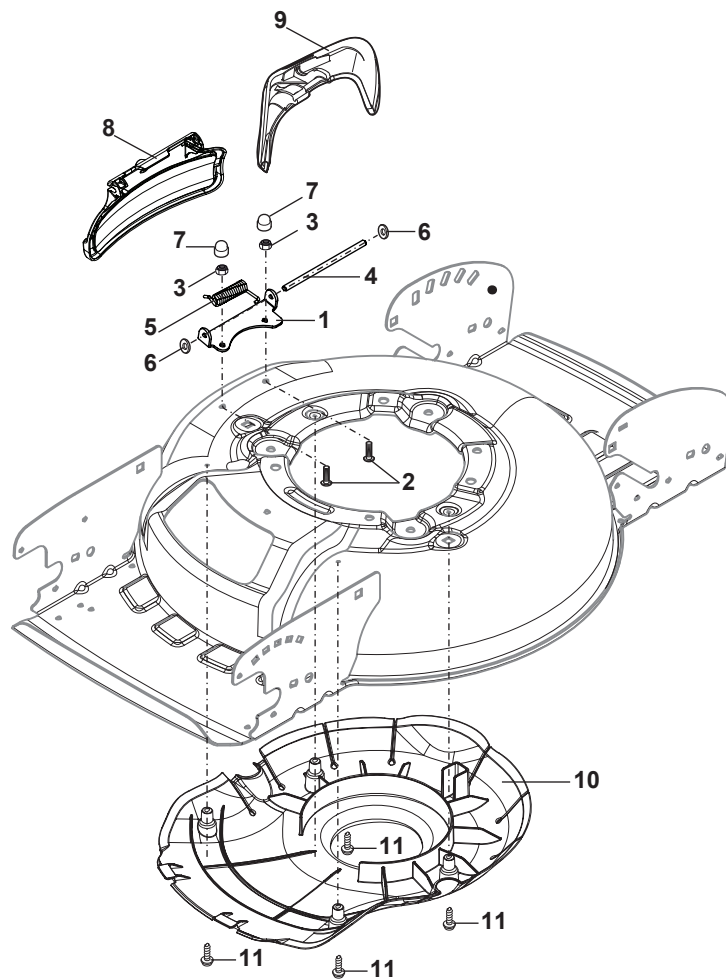
© Copyright 2015 Global Garden Products

All rights reserved. No part of this material may be reproduced or transmitted, in any form or by any means, electronic or mechanical, including photocopying, recording or by any information storage and retrieval system, without permission in writing from GLOBAL GARDEN PRODUCTS.

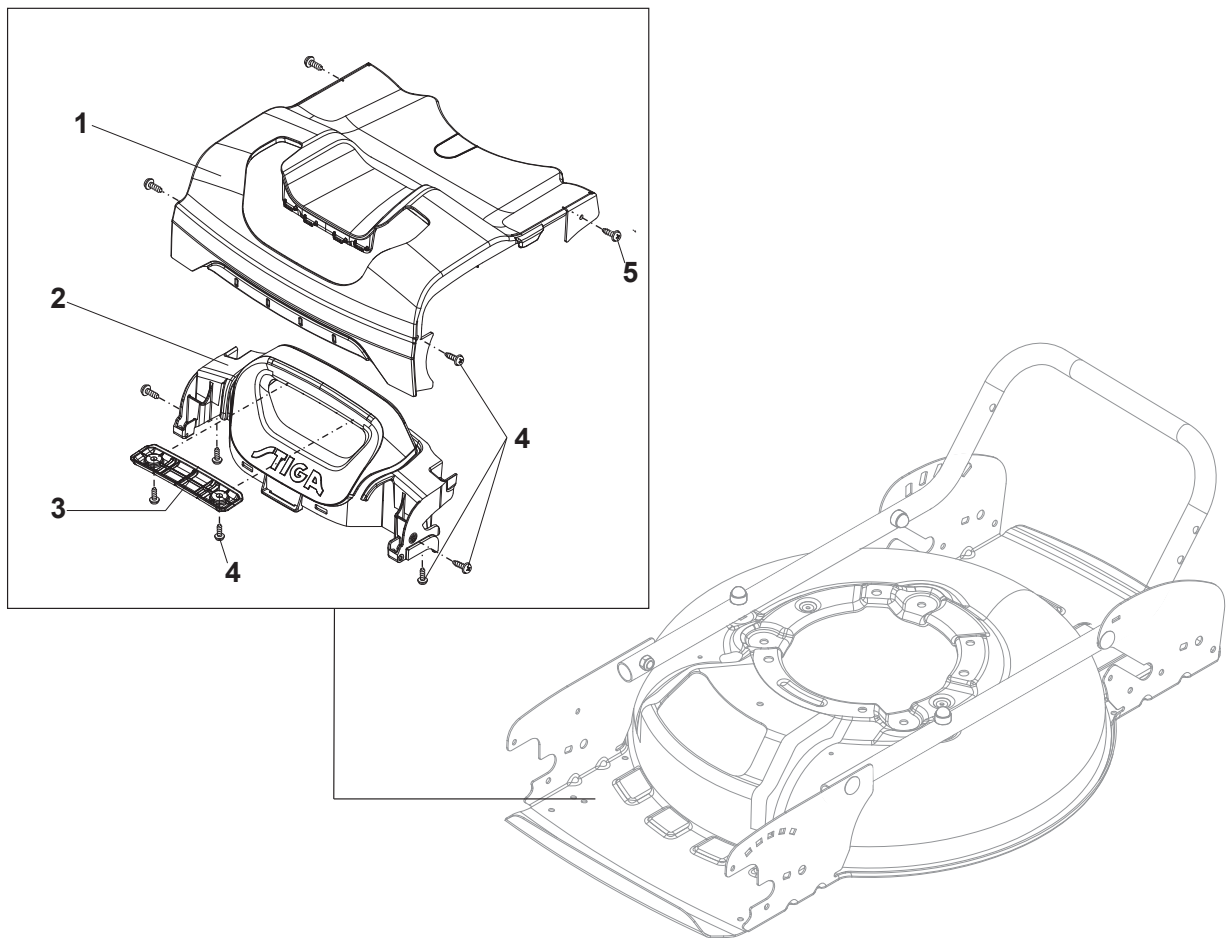
www.stiga.com



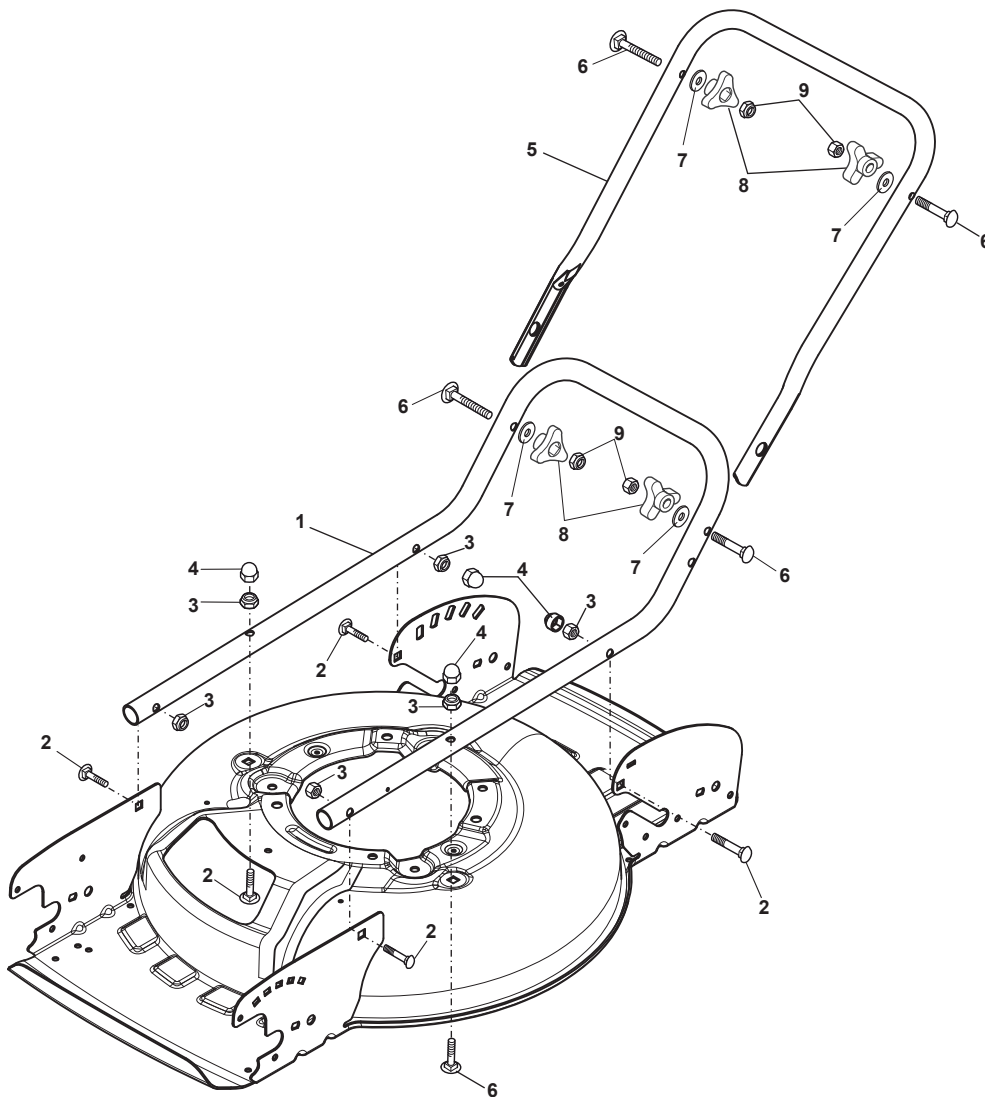
Utgåva Issue 40 - 2015		Kapa och höjdställning		Deck And Height Adjusting	
Pos. Fig.	Antal Q.ty	Art nr Part No	Benämning	Description	Anmärkning Notes
1	1	381004781/0	Chassi-gra	Grey Deck	
2	1	381302877/0	Hjulaxel-fram	Front Wheel Axle	
3	1	181003113/0	Växellada	Gear Box	
4	2	322042066/0	Bussning	Bushing	
5	2	112521371/0	Bricka	Washer	
6	4	112608600/0	Segersäkringsåkring Sga12	Seeger	
7	2	122753000/0	Spännstift	Pin	
8	2	322600204/0	Hjulskydd	Internal Wheel Protection	
9	1	122570110/1	Drev	Pinion Right	
10	1	122570120/1	Drev	Pinion Left	
11	1	322785476/0	Fäste	Support	
12	1	322785477/0	Fäste	Support	
13	1	322785478/0	Fäste	Support	
14	1	322785479/0	Fäste	Support	
15	19	112728697/0	Skruv	Screw	
16	1	135063802/0	Drivrem	Belt	
17	1	122450439/0	Fjäder	Spring	
18	1	133320022/0	Klämma	Fastpoint Clamp Art.0384.Aa01	
19	1	381302879/0	Hjulaxel-bakre	Rear Wheel Axle	
20	1	322322857/0	Manöverbygel	Lever, Height Adjustment	
21	1	322394527/0	Handtagsknopp	Knob	
22	1	122446192/0	Fjäder	Spring	
23	1	122534131/0	Stift	Pin	
24	1	112154510/0	Mutter	Nut	
25	2	322600204/0	Hjulskydd	Internal Wheel Protection	
26	2	322785474/0	Fäste	Support	
27	2	322785475/0	Höjjustering sektor	Sector, Height Adjustment	
28	1	122033332/0	Justerstang	Adjustment Rod	
29	2	112604899/0	Starlock P6704 8 Fz	Crown Fastener	
30	1	122446184/0	Fjäder	Spring	
33	4	112521350/0	Bricka	Washer	
34	4	112155000/0	Mutter	Nut	



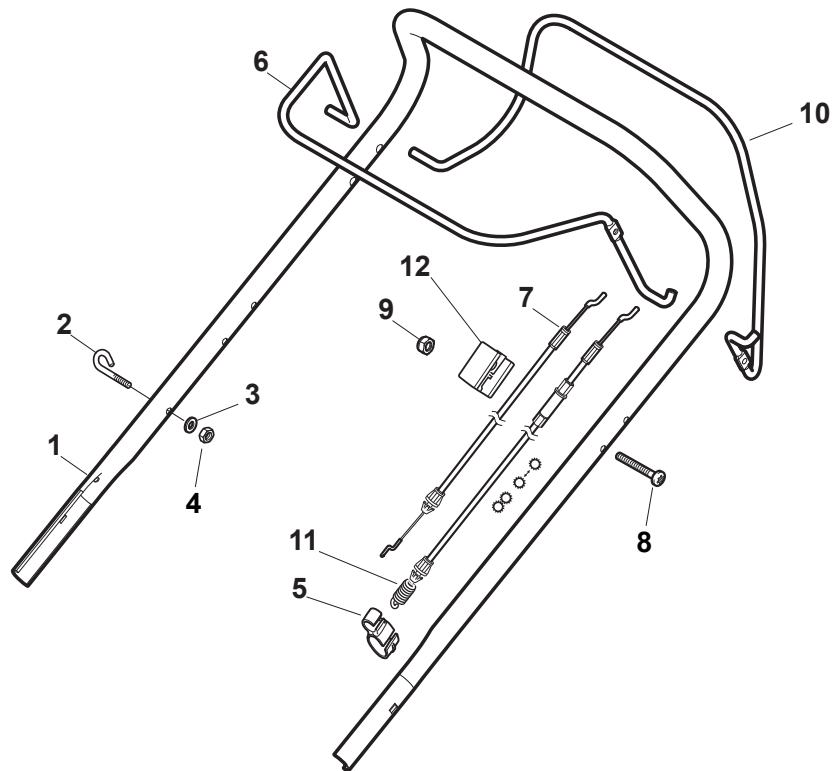
Utgåva Issue 40 - 2015		Utkastskydd Ejection-Guard			
Pos. Fig.	Antal Q.ty	Art nr Part No	Benämning	Description	Anmärkning Notes
1	1	322806639/0	Fäste	Fulcrum Pin	
2	2	112727803/0	Skruv	Screw	
3	2	112154510/0	Mutter	Nut	
4	1	122517869/1	Stift	Pin	
5	1	122450456/0	Fjäder	Spring	
6	2	112604896/0	Starlock P6493 6	Crown Fastener	
7	2	118203853/0	Skruv	Screw	
8	1	322600307/0	Utkastskydd	Ejection Guard	
9	1	322108314/0	Ejection Conveyor	Ejection Conveyor	
10	1	322060269/0	Mulchingplugg	Complete Mulching Carter	
11	4	112728530/0	Skruv	Screw	



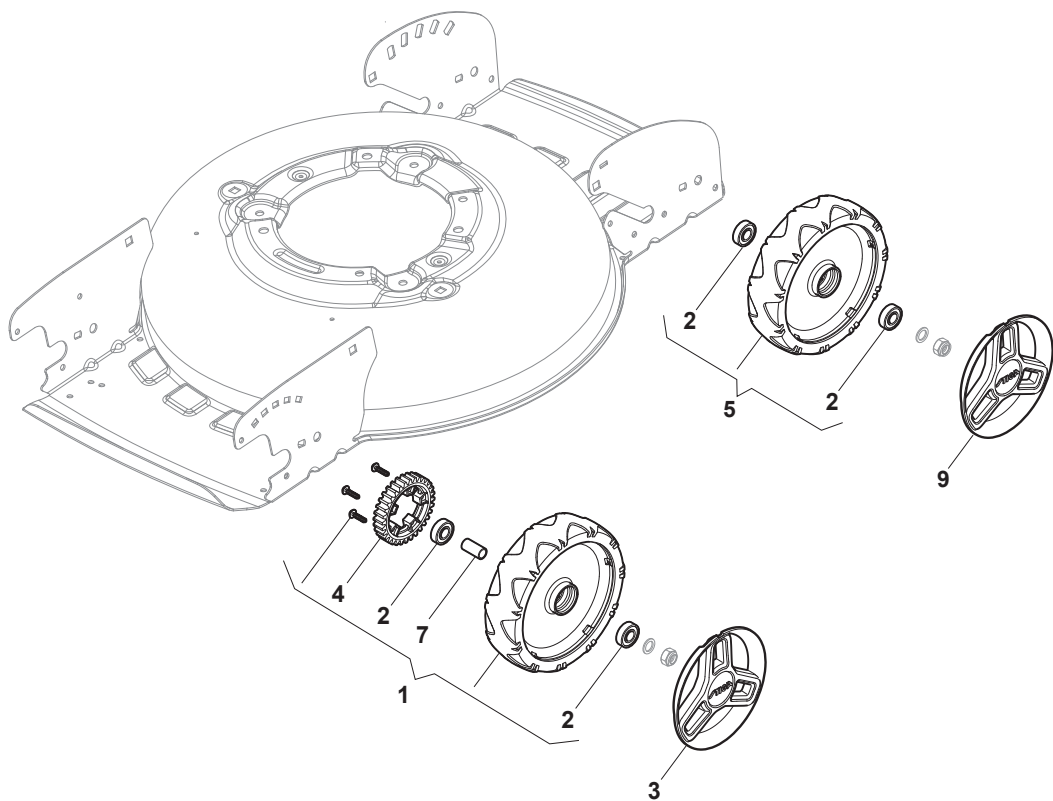
Utgåva Issue 40 - 2015		Mask Mask, Frontal Basic Version			
Pos. Fig.	Antal Q.ty	Art nr Part No	Benämning	Description	Anmärkning Notes
1	1	381390126/0	Handtag	Frontal Assy	
2	1	322393739/0	Handtag	Frontal	
3	1	322393659/0	Handtag, nedresKapa, gul	Handle, Lower Part	
4	8	112728697/0	Skruv	Screw	
5	2	112728124/0	Skruv	Screw	



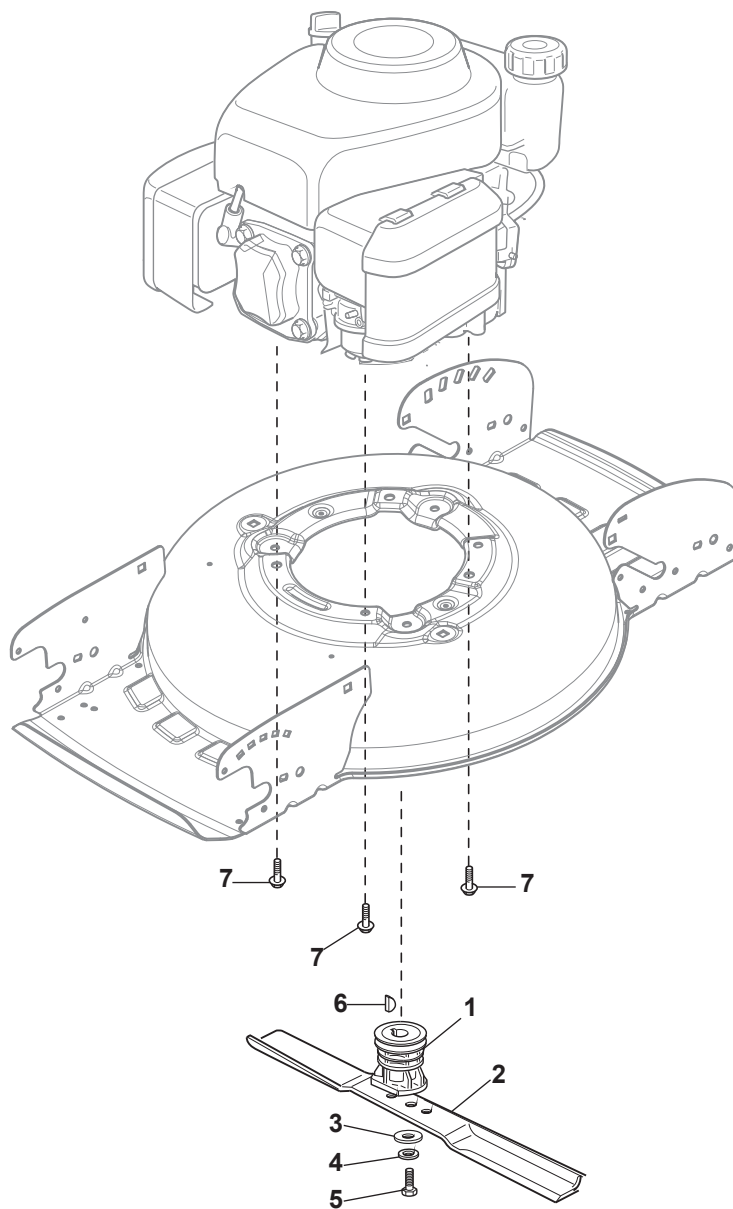
Utgåva Issue 40 - 2015		Reglage, nedre Handle, Lower Part			
Pos. Fig.	Antal Q.ty	Art nr Part No	Benämning	Description	Anmärkning Notes
1	1	381007556/0	Reglage, nedre Gul	Handle, Lower Part Yellow	
2	6	112818900/0	Skruv	Screw	
3	6	112155000/0	Mutter	Nut	
4	4	118203854/0	Skruv	Screw	
5	1	381007542/1	Handtag Nedre	Handle, Middle Part Yellow	
6	4	112819121/0	Skruv	Screw	
7	4	122671651/0	Bricka	Washer	
8	4	322399840/0	Handtag Gul	Yellow Knob	
9	4	112293200/0	Mutter	Nut	



Utgåva Issue 40 - 2015		Reglage, övre Handle, Upper Part			
Pos. Fig.	Antal Q.ty	Art nr Part No	Benämning	Description	Anmärkning Notes
1	1	381006754/0	Handtag, överdel gul	Handle, Upper Part Yellow	Yellow
2	1	122430313/0	Fjäder	Guide Spring	
3	1	112521330/0	Bricka	Washer	
4	1	112154510/0	Mutter	Nut	
5	1	118390020/0	Vajerhallare	Conduit Clip	
6	1	181003363/1	Reglagebygel	Lever, Engine Brake Black	Black
7	1	181030079/0	Motorbromswire	Cable, Thread Engine Brake	
8	1	112727783/0	Skruv	Screw	
9	1	112154510/0	Mutter	Nut	
10	1	181003364/0	Spak Handtag	Drive Control Lever	Black
11	1	381030096/0	Drivwire	Cable Rear Drive	
12	1	322551640/0	Plat	Plate	



Utgåva Issue 40 - 2015		Hjul och navkapsel Wheels and Hub Caps			
Pos. Fig.	Antal Q.ty	Art nr Part No	Benämning	Description	Anmärkning Notes
1	2	381007465/1	Hjul	Wheel	
2	4	119216035/0	Lager	Bearing	
3	2	322110744/0	Navkapsel Gra	Hub Cap Grey	
4	2	322120116/0	Hjuls Crown	Wheels Crown	
5	2	381007455/1	Hjul	Wheel	
6	4	119216035/0	Lager	Bearing	
7	2	122170848/0	Distans	Spacer	
9	2	322110744/0	Navkapsel Gra	Hub Cap Grey	



Utgåva Issue 40 - 2015		Kniv Blade			
Pos. Fig.	Antal Q.ty	Art nr Part No	Benämning	Description	Anmärkning Notes
1	1	122465607/3	Knivfäste D22,2	Hub With Pulley, Crankshaft Ø 22.2	GGP/B&S Engine
2	1	181004158/0	Mulcherkniv	Mulching Blade	
3	1	112508125/0	Bricka	Elastic Washer	
4	1	112523080/0	Bricka	Washer	
5	1	112735698/0	Skruv	Screw	
6	1	112139100/0	Kil D22Mm	Feather, Crankshaft Ø 22	GGP/B&S Engine
7	3	112735108/1	Skruv	Screw	

code	pos.	q.ty	page				
112139100/0	6	1	p. 15	322600307/0	8	1	p. 5
112154510/0	3	2	p. 5	322785474/0	26	2	p. 3
112154510/0	4	1	p. 11	322785475/0	27	2	p. 3
112154510/0	9	1	p. 11	322785476/0	11	1	p. 3
112154510/0	24	1	p. 3	322785477/0	12	1	p. 3
112155000/0	3	6	p. 9	322785478/0	13	1	p. 3
112155000/0	34	4	p. 3	322785479/0	14	1	p. 3
112293200/0	9	4	p. 9	322806639/0	1	1	p. 5
112508125/0	3	1	p. 15	381004781/0	1	1	p. 3
112521330/0	3	1	p. 11	381006754/0	1	1	p. 11
112521350/0	33	4	p. 3	381007455/1	5	2	p. 13
112521371/0	5	2	p. 3	381007465/1	1	2	p. 13
112523080/0	4	1	p. 15	381007542/1	5	1	p. 9
112604896/0	6	2	p. 5	381007556/0	1	1	p. 9
112604899/0	29	2	p. 3	381030096/0	11	1	p. 11
112608600/0	6	4	p. 3	381302877/0	2	1	p. 3
112727783/0	8	1	p. 11	381302879/0	19	1	p. 3
112727803/0	2	2	p. 5	381390126/0	1	1	p. 7
112728124/0	5	2	p. 7				
112728530/0	11	4	p. 5				
112728697/0	4	8	p. 7				
112728697/0	15	19	p. 3				
112735108/1	7	3	p. 15				
112735698/0	5	1	p. 15				
112818900/0	2	6	p. 9				
112819121/0	6	4	p. 9				
118203853/0	7	2	p. 5				
118203854/0	4	4	p. 9				
118390020/0	5	1	p. 11				
119216035/0	2	4	p. 13				
119216035/0	6	4	p. 13				
122033332/0	28	1	p. 3				
122170848/0	7	2	p. 13				
122430313/0	2	1	p. 11				
122446184/0	30	1	p. 3				
122446192/0	22	1	p. 3				
122450439/0	17	1	p. 3				
122450456/0	5	1	p. 5				
122465607/3	1	1	p. 15				
122517869/1	4	1	p. 5				
122534131/0	23	1	p. 3				
122570110/1	9	1	p. 3				
122570120/1	10	1	p. 3				
122671651/0	7	4	p. 9				
122753000/0	7	2	p. 3				
133320022/0	18	1	p. 3				
135063802/0	16	1	p. 3				
181003113/0	3	1	p. 3				
181003363/1	6	1	p. 11				
181003364/0	10	1	p. 11				
181004158/0	2	1	p. 15				
181030079/0	7	1	p. 11				
322042066/0	4	2	p. 3				
322060269/0	10	1	p. 5				
322108314/0	9	1	p. 5				
322110744/0	3	2	p. 13				
322110744/0	9	2	p. 13				
322120116/0	4	2	p. 13				
322322857/0	20	1	p. 3				
322393659/0	3	1	p. 7				
322393739/0	2	1	p. 7				
322394527/0	21	1	p. 3				
322399840/0	8	4	p. 9				
322551640/0	12	1	p. 11				
322600204/0	8	2	p. 3				
322600204/0	25	2	p. 3				