



Reservdelskatalog Parts Catalogue

COMBI 36 AE

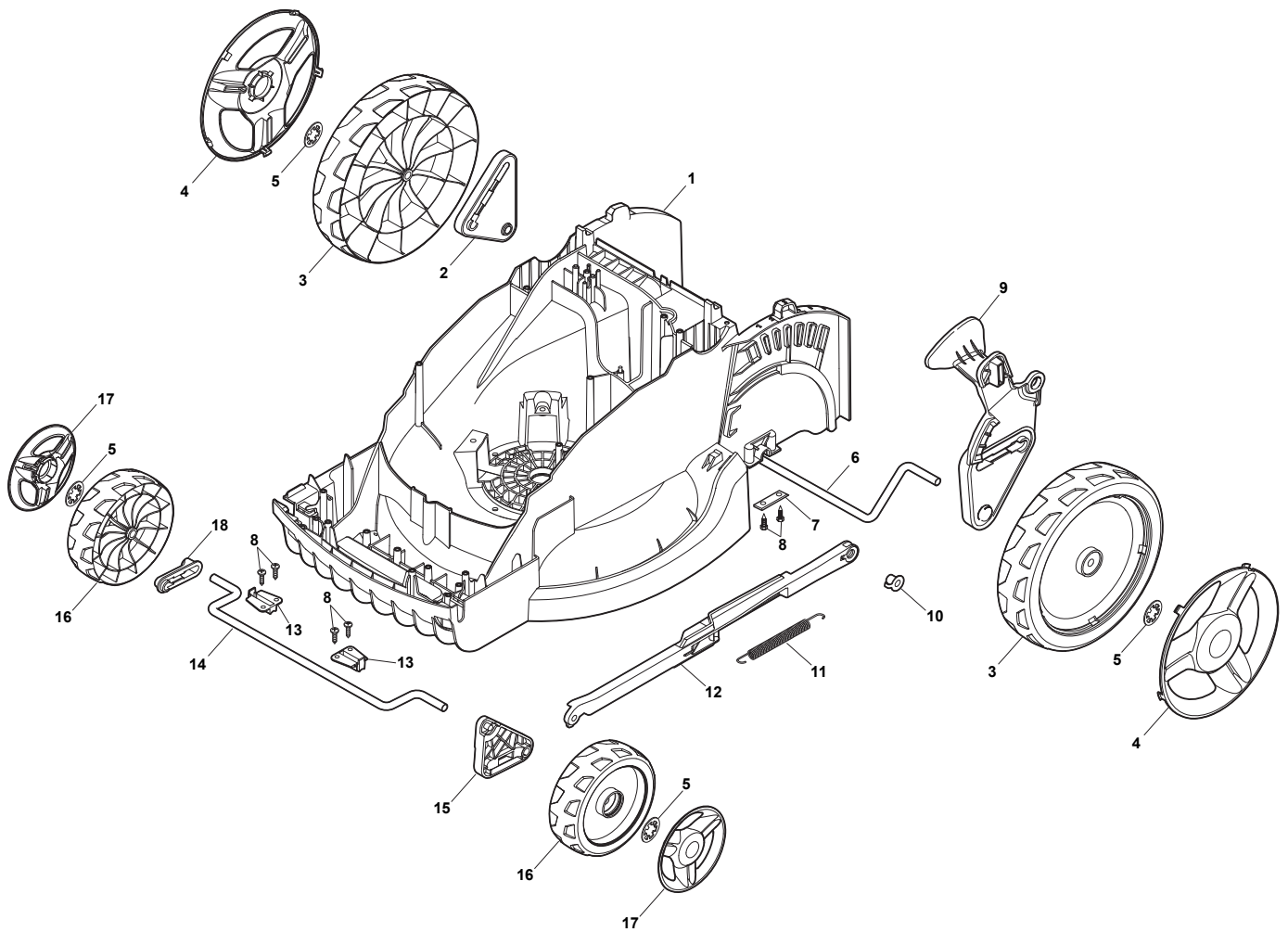
294343068/S15 - Season 2015

- Use GLOBAL GARDEN PRODUCT Genuine Spare Parts specified in the parts list for repair and/or replacement.
 - The contents described in the parts list may change due to improvement.
 - The drawings of the spare parts are only indicative and might not represent the part in question exactly.
 - The indications "right" - "left" - "front" - "rear" refer to the position of the operator when using the machine.
- When placing orders of parts for repair and/or replacement, make sure that the illustrated parts list is the one applying to the machine's year of manufacture, as shown on the identification plate attached to the machine.

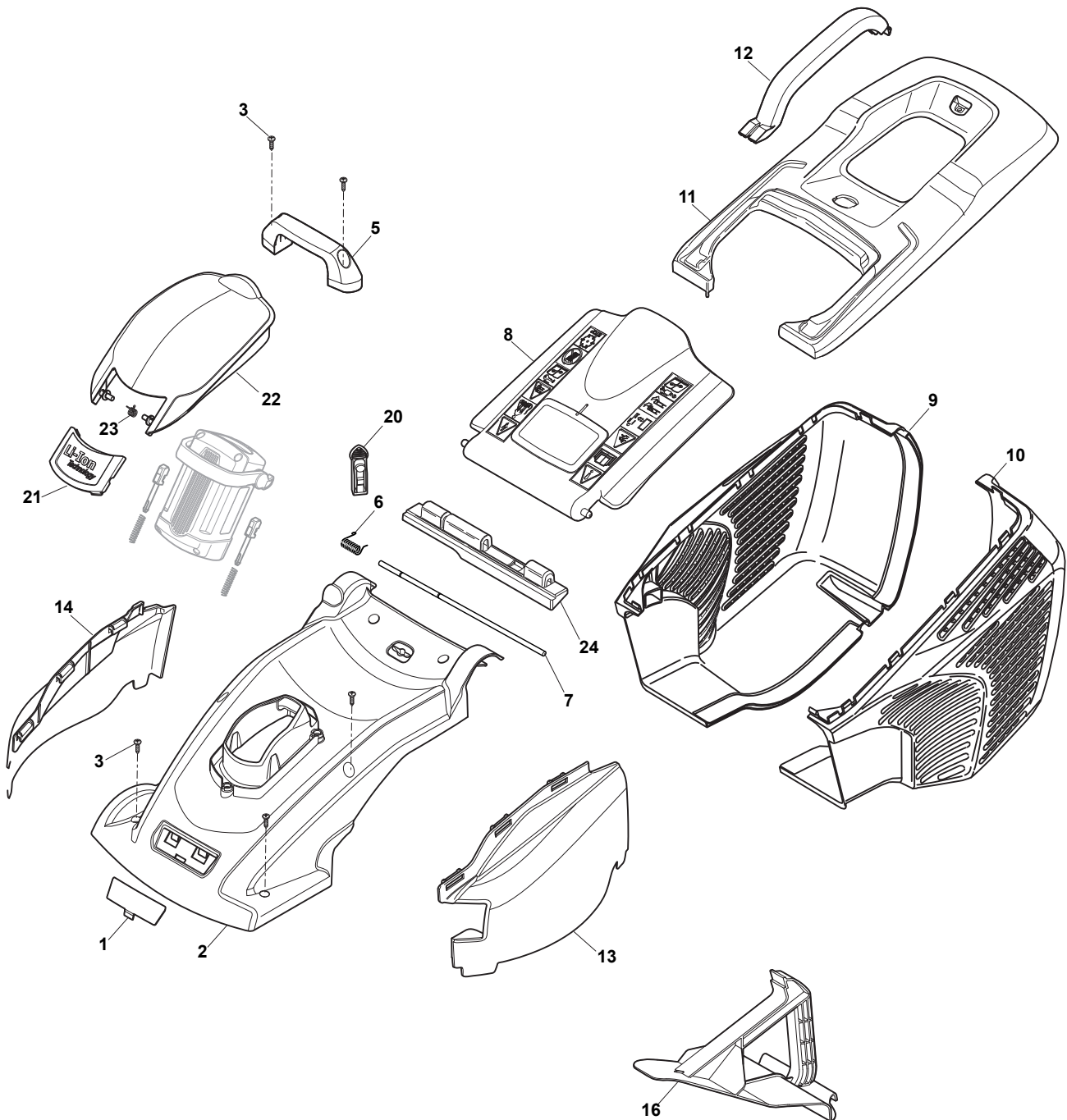
© Copyright 2015 Global Garden Products

All rights reserved. No part of this material may be reproduced or transmitted, in any form or by any means, electronic or mechanical, including photocopying, recording or by any information storage and retrieval system, without permission in writing from GLOBAL GARDEN PRODUCTS.

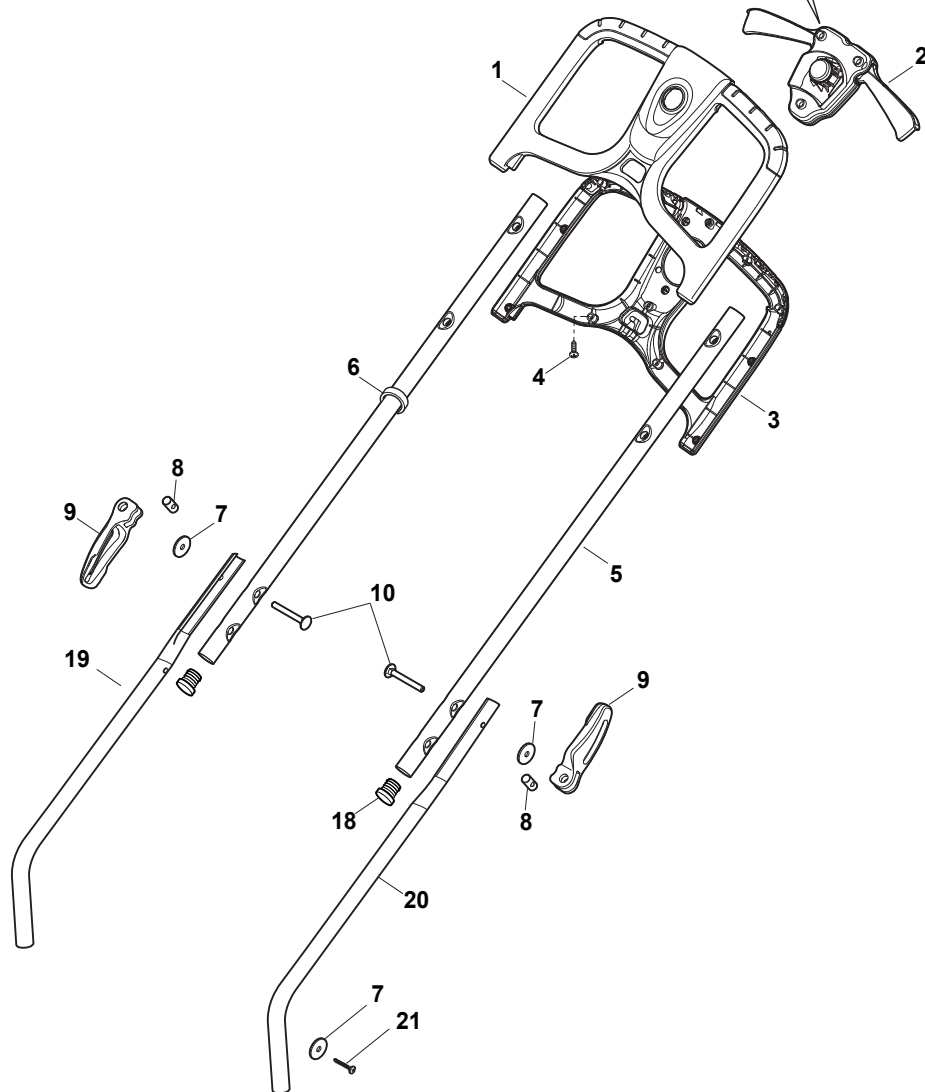
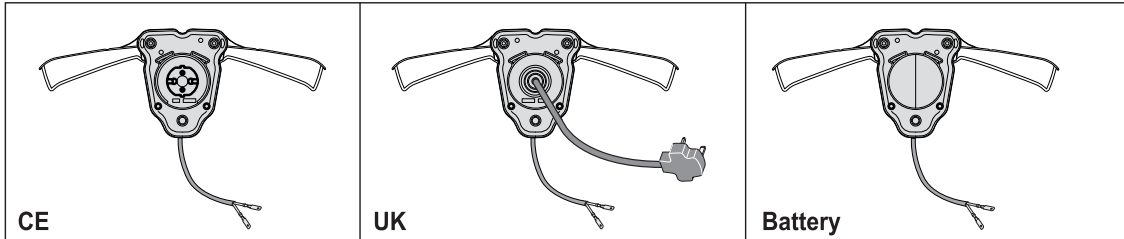
www.stiga.com



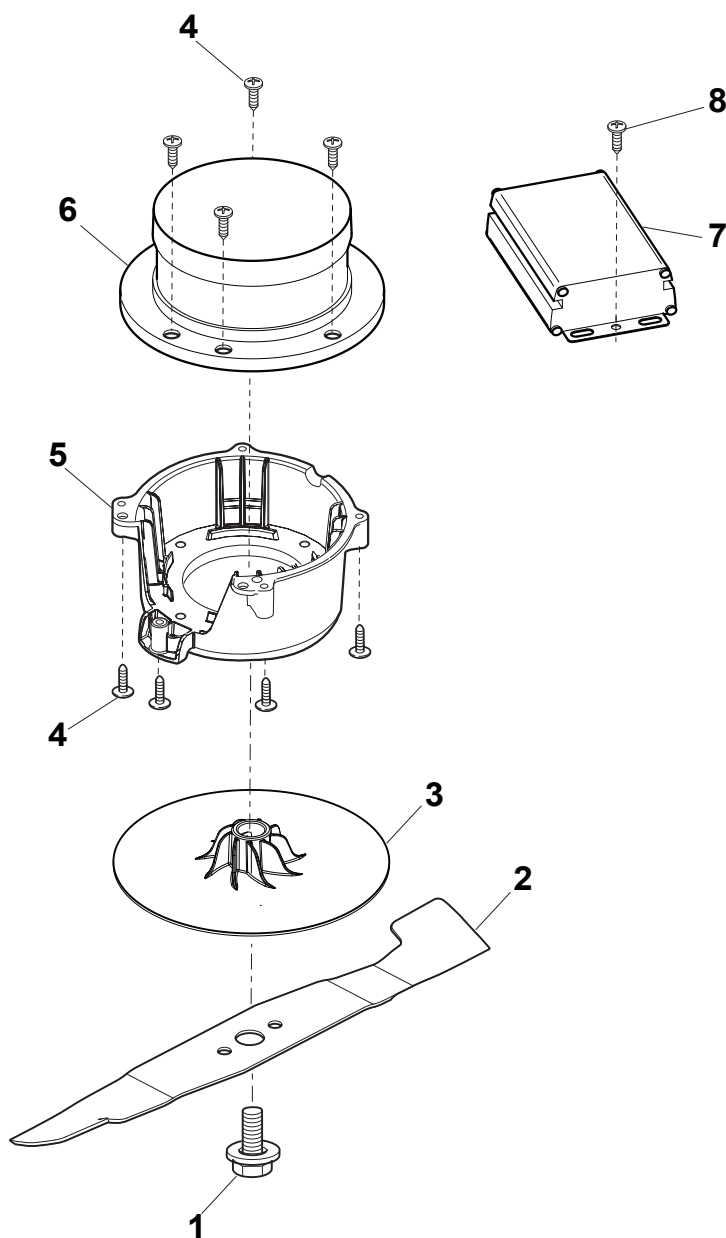
Utgåva Issue 3 - 2015		Deck And Height Adjusting		Deck And Height Adjusting	
Pos. Fig.	Antal Quantity	Art nr Part No	Benämning	Description	Anmärkning Notes
2	1	322785448/0	Hjulhallare	Support, Wheel	
12	1	322869689/0	Höjjusteringsstag	Rod, Height Adjustment	
15	1	322785437/0	Hjulhallare	Support, Wheel	
18	1	322785447/0	Hjulhallare	Support, Wheel	
1	1	322066782/0	Chassi gra	Deck STIGA Grey	
3	2	322686107/0	Hjul	Wheel	
4	2	322110729/0	Navkapsel	Hub Cap Grey	
5	4	112604903/0	Bricka	Washer	
6	1	122033422/0	Hjulaxel	Axle, Wheels	
7	2	322545142/0	Plat	Plate	
8	8	112728714/0	Skruv	Screw	
9	1	322785430/0	Höjdinställningsspak	Lever, Height Adjustment	
10	1	322524354/0	Stift	Pin	
11	1	122450425/0	Fjäder	Spring	
13	2	322785415/0	Plat	Plate	
14	1	122033422/0	Hjulaxel	Axle, Wheels	
16	2	322686106/0	Hjul	Wheel	
17	2	322110683/0	Navkapsel D150 Delta gra 9022	Hub Cap Grey	



Utgåva Issue 3 - 2015		Deck			
Pos. Fig.	Antal Quantity	Art nr Part No	Benämning	Description	Anmärkning Notes
12	1	322393718/0	Handtag	Handle	
9	1	322486392/0	Uppsamlare-underdel-hö	Grass-Box, R Lower	
10	1	322486391/0	Uppsamlare-underdel, vä	Grass-Box, L Lower	
13	1	322109897/0	Sidoskydd	Right Side Cover	
14	1	322109898/0	Sidoskydd	Left Side Cover	
5	1	322393719/0	Handtag	Handle	
8	1	322600286/0	Lucka gra	Stone Guard, Grey	
2	1	322055529/0	Kapa gul	Yellow Cover	
1	1	322055168/0	Täckplat-Gra	Front Plate	
3	10	112728714/0	Skruv	Screw	
6	1	122450250/0	Fjäder	Spring	
7	1	122512603/0	Stift	Pin	
11	1	322486360/0	Uppsamlare-överdel	Grass-Box, Upper	
16	1	322140241/0	Lock	Mulching Plug	
20	1	322076570/1	Batterisäkerhetsnyckel	Battery Safety Key	
22	1	322055165/0	Batterikapa	Cover	
23	1	122450473/0	Fjäder	Spring	
24	1	322600271/0	Stenskyddsfäste svart	Stone-Guard Support, Black	



Utgåva Issue 3 - 2015		Handle, Upper Part		Handle, Upper Part	
Pos. Fig.	Antal Quantity	Art nr Part No	Benämning	Description	Anmärkning Notes
9	2	322319519/0	Handtag	Fixing Lever Handle	
1	1	322291068/0	Handtagshalva, övre brytare	Upper Half Handgrip Switch	
2	1	381600540/1	Manöverdosa	Dead Hand Switch	
3	1	322291069/0	Handtagshalva, undre brytare	Lower Half Handgrip Switch	
4	11	112728713/0	Skruv	Screw	
5	2	381007532/0	Styre-överdel	Handle, Upper Part	
6	1	122192000/1	Kabelhallare	Clamp	
7	4	112523050/0	Bricka	Washer	
8	2	122524352/0	Stift	Pin	
10	2	122943016/0	Skruv	Screw	
18	2	118566116/0	Plugg	Cap	
19	1	381007529/0	Styre-underdel, hö	Right Handle, Lower Part	
20	1	381007530/0	Styre-underdel	Left Handle, Lower Part	
21	2	112728450/0	Skruv	Screw	



Utgåva Issue 3 - 2015		Blade			
Pos. Fig.	Antal Quantity	Art nr Part No	Benämning	Description	Anmärkning Notes
1	1	381004352/1	Skruv	Screw	
2	1	181004159/0	Kniv	Blade	
3	1	322465653/0	Bricka	Washer	
4	8	112728699/0	Skruv	Screw	
5	1	322207230/0	Fläns	Flange	
6	1	118563514/0	Elmotor Batteri	Engine Battey	
7	1	118206003/0	Kontroller	Controller	
8	1	112728714/0	Skruv	Screw	
9	1	112508122/0	Bricka	Washer	

code	pos.	q.ty	page
112508122/0	9	1	p. 9
112523050/0	7	4	p. 7
112604903/0	5	4	p. 3
112728450/0	21	2	p. 7
112728699/0	4	8	p. 9
112728713/0	4	11	p. 7
112728714/0	3	10	p. 5
112728714/0	8	1	p. 9
112728714/0	8	8	p. 3
118206003/0	7	1	p. 9
118563514/0	6	1	p. 9
118566116/0	18	2	p. 7
122033422/0	6	1	p. 3
122033422/0	14	1	p. 3
122192000/1	6	1	p. 7
122450250/0	6	1	p. 5
122450425/0	11	1	p. 3
122450473/0	23	1	p. 5
122512603/0	7	1	p. 5
122524352/0	8	2	p. 7
122943016/0	10	2	p. 7
181004159/0	2	1	p. 9
322055165/0	22	1	p. 5
322055168/0	1	1	p. 5
322055529/0	2	1	p. 5
322066782/0	1	1	p. 3
322076570/1	20	1	p. 5
322109897/0	13	1	p. 5
322109898/0	14	1	p. 5
322110683/0	17	2	p. 3
322110729/0	4	2	p. 3
322140241/0	16	1	p. 5
322207230/0	5	1	p. 9
322291068/0	1	1	p. 7
322291069/0	3	1	p. 7
322319519/0	9	2	p. 7
322393718/0	12	1	p. 5
322393719/0	5	1	p. 5
322465653/0	3	1	p. 9
322486360/0	11	1	p. 5
322486391/0	10	1	p. 5
322486392/0	9	1	p. 5
322524354/0	10	1	p. 3
322545142/0	7	2	p. 3
322600271/0	24	1	p. 5
322600286/0	8	1	p. 5
322686106/0	16	2	p. 3
322686107/0	3	2	p. 3
322785415/0	13	2	p. 3
322785430/0	9	1	p. 3
322785437/0	15	1	p. 3
322785447/0	18	1	p. 3
322785448/0	2	1	p. 3
322869689/0	12	1	p. 3
381004352/1	1	1	p. 9
381007529/0	19	1	p. 7
381007530/0	20	1	p. 7
381007532/0	5	2	p. 7
381600540/1	2	1	p. 7