



[www.stiga.com](http://www.stiga.com)

# Illustrated Parts List

for model:

**TURBO PRO 50 S**

- Use GLOBAL GARDEN PRODUCT genuine spare parts specified in the parts list for repair and/or replacement.
- Then contents described in the parts list may change due to improvement.
- The drawings of the spare part are only indicative and might not represent the part in question exactly.
- The indications "right" - "left" - "front" - "rear" refer to the position of the operator when using the machine.
- When placing orders of parts for repair and/or replacement, make sure that the illustrated parts list is the one applying to the machine's year of manufacture, as shown on the identification plate attached to the machine.

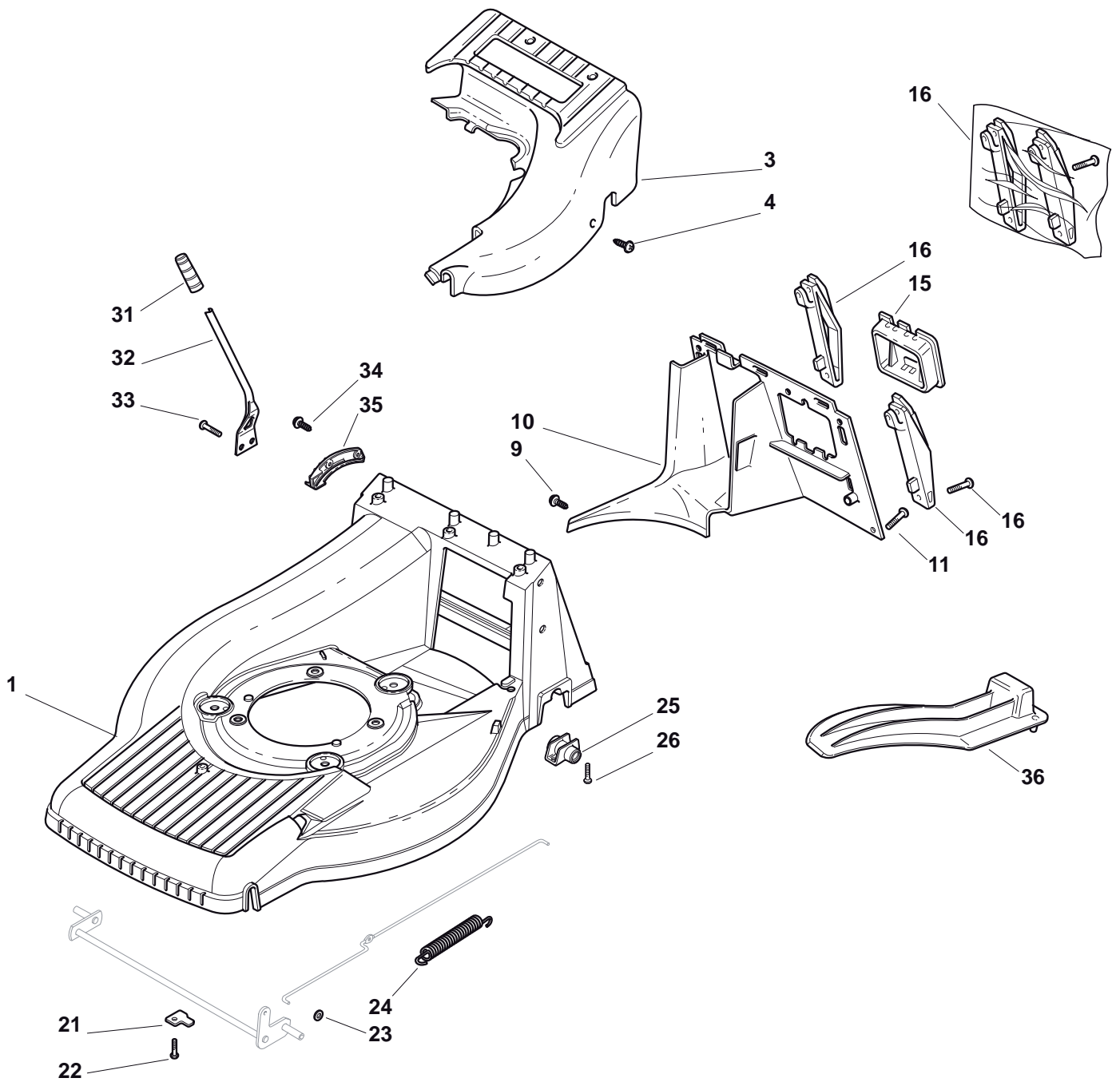
© Copyright 2014 Global Garden Products

All content is subject to copyright by Global Garden Products and may not be reproduced in whole or in part by any means, electronic or otherwise, without prior written approval.

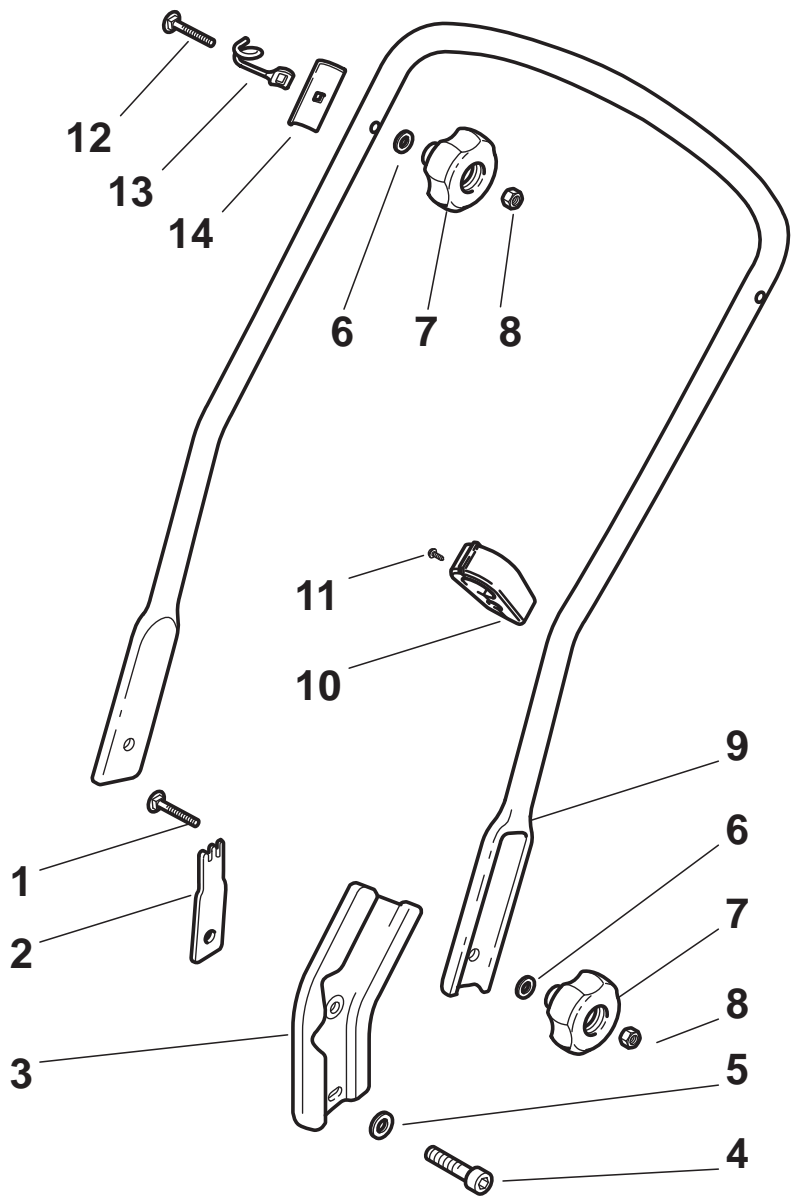
THIS INFORMATION IS NOT INTENDED FOR SALE OR RESALE, AND THIS NOTICE MUST REMAIN ON ALL COPIES.

[www.ggp-group.com](http://www.ggp-group.com)

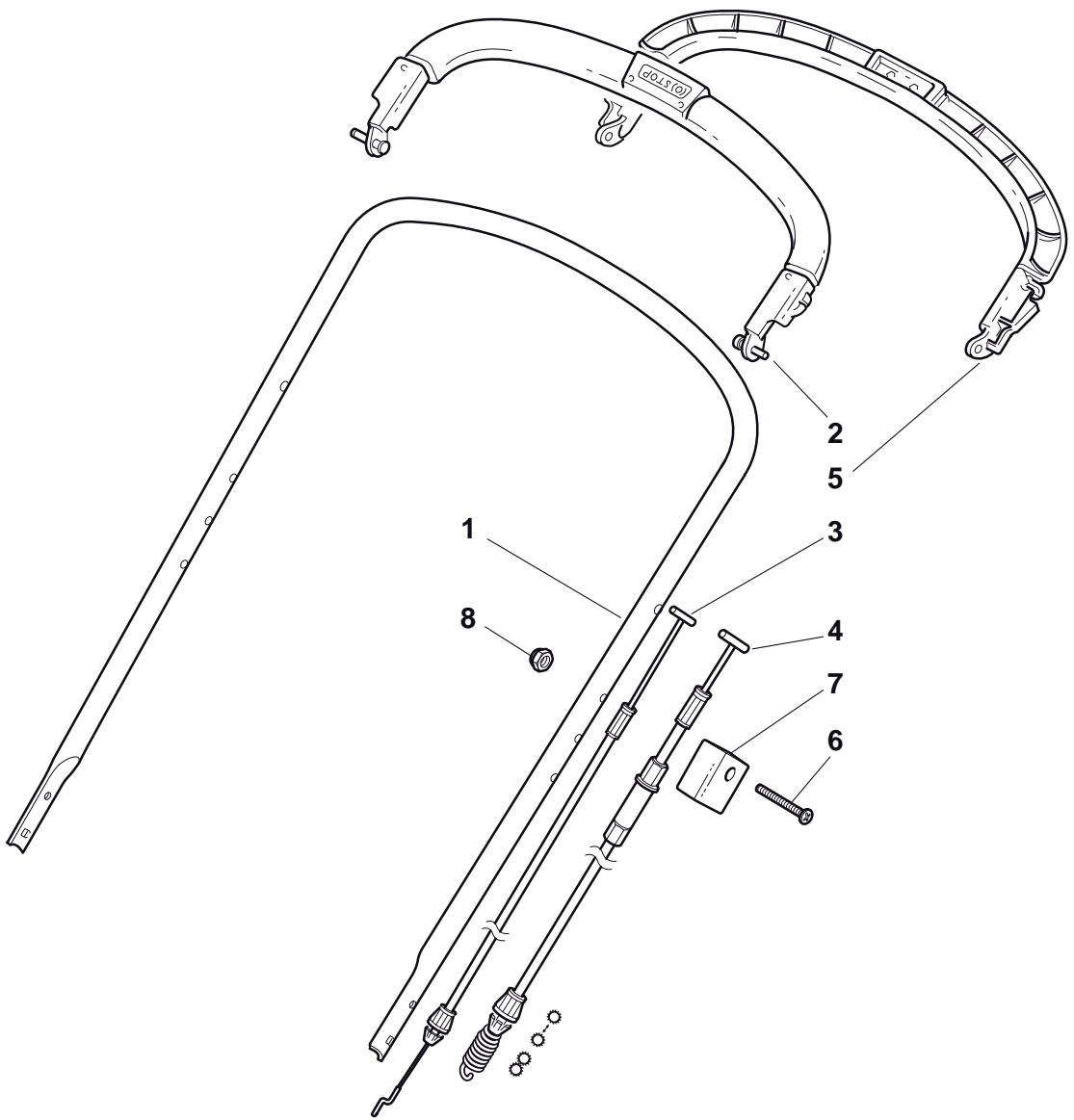




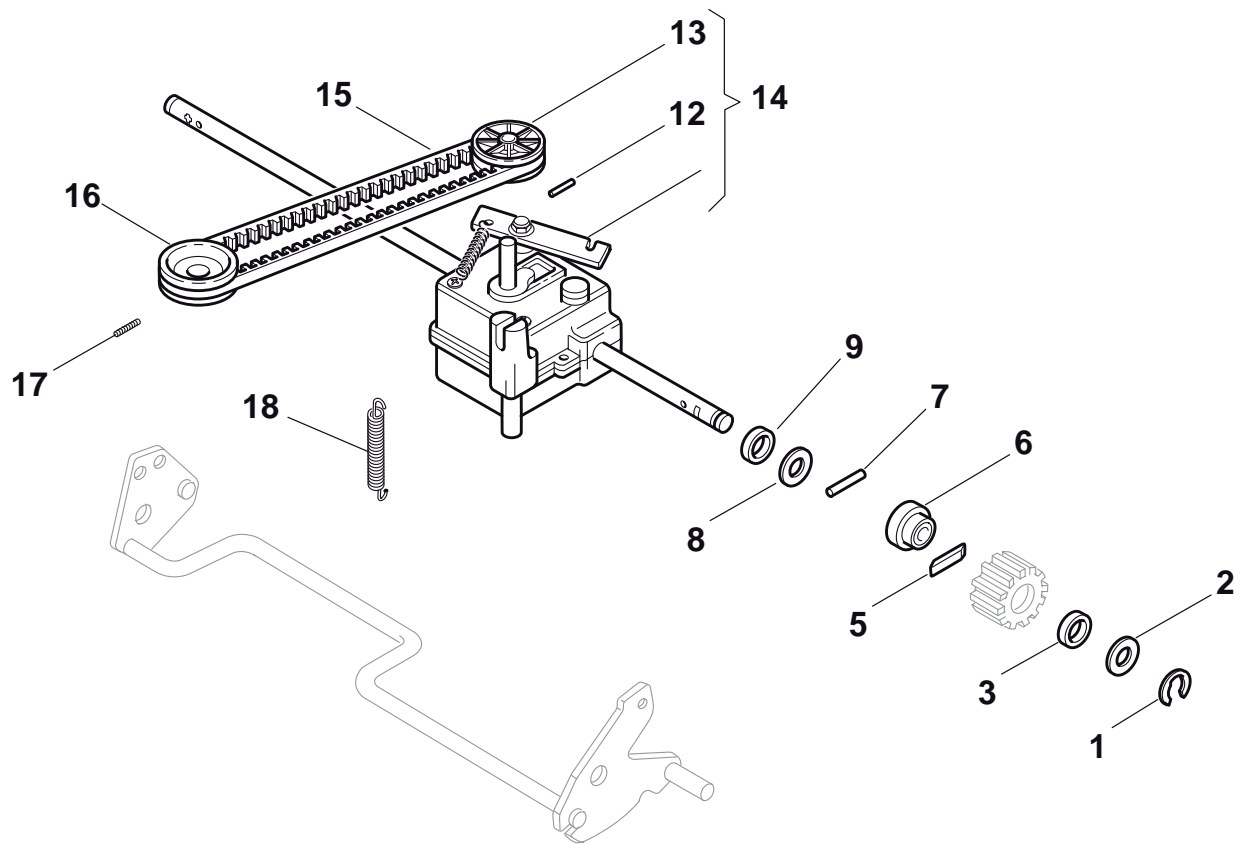
Deck And Height Adjusting				
POS	CODE	Q.TY	DESCRIPTION	NOTES
1	381004737/0	1	Deck Grey	
3	322060176/0	1	Protection, Grey	
4	112728300/0	3	Screw	
9	112728300/0	1	Screw	
10	322108277/0	1	Rear Conveyor Assy	
11	112735664/0	3	Screw	
15	322109531/0	1	Cover	
16	381008658/1	1	Outfit, Supports	
21	322545160/0	2	Plate	
22	112735664/0	2	Screw	
23	112604898/0	2	Crown Fastener	
24	122446181/0	1	Spring	
25	322785153/0	2	Support, Gear Box	
26	112735664/0	4	Screw	
31	322399808/0	1	Knob	
32	322321515/0	1	Lever, Height Adjustment	
33	112735661/0	2	Screw	
34	112728300/0	2	Screw	
35	322735563/0	1	Sector, Height Adjustment	
36	322140231/0	1	Deflector	



Handle, Lower Part				
POS	CODE	Q.TY	DESCRIPTION	NOTES
1	112820655/0	2	Screw	
2	322551635/0	1	Plate For Handle	
3	322778405/0	2	Support	
4	112760515/0	2	Screw	
5	112521350/0	2	Washer	
6	112521350/0	4	Washer	
7	322399810/0	4	Knob	
8	112361005/0	4	Nut	
9	381006613/0	1	Handle, Lower Part	Black
9	381006631/0	1	Handle, Lower Part	Yellow
10	322192001/0	1	Anchor Clamp	
11	112728691/0	1	Screw	
12	112820655/0	2	Screw	
13	122430311/0	1	Guide Spring	
14	322545137/0	2	Plate For Handle Fastening	

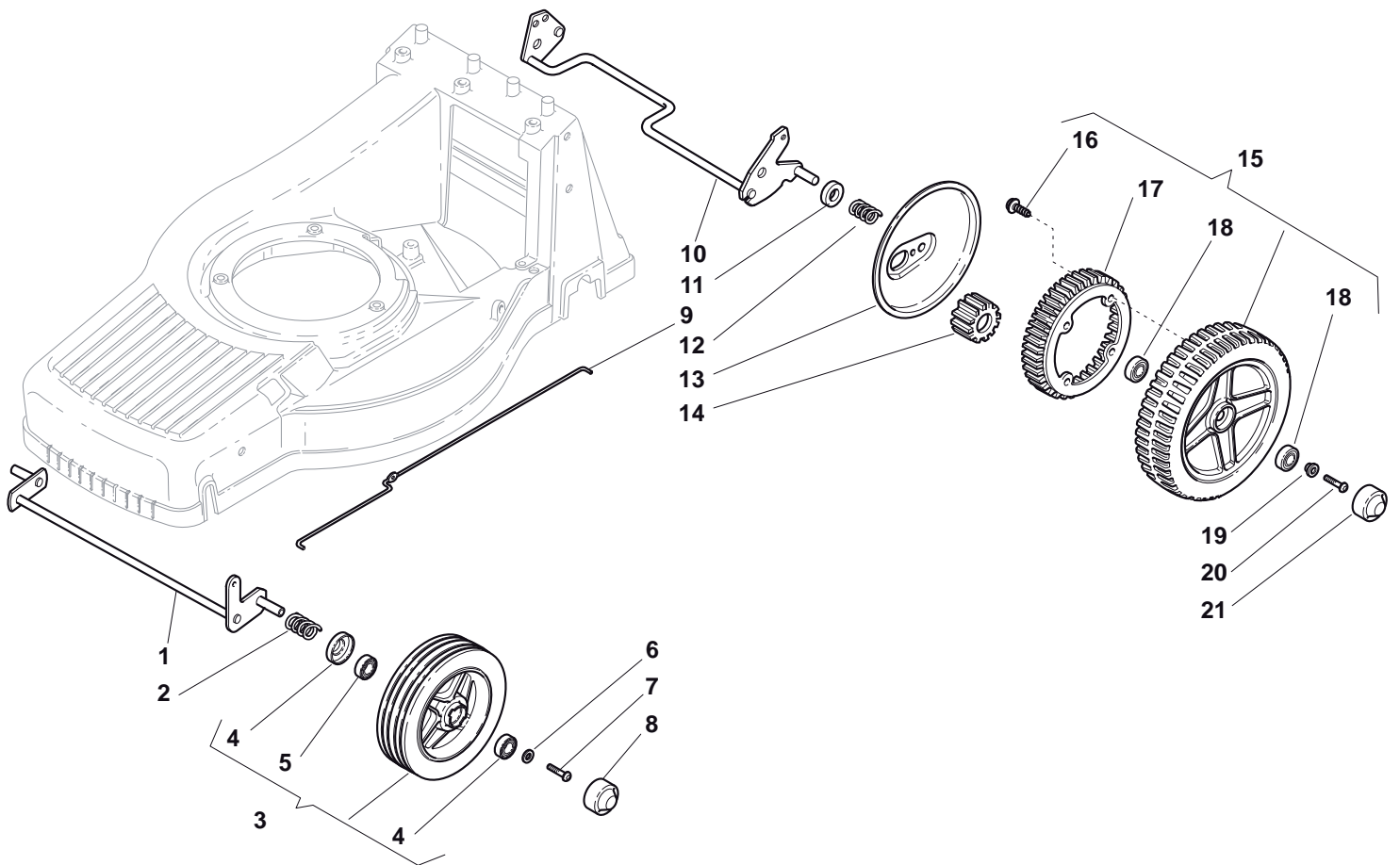


Handle, Upper Part				
POS	CODE	Q.TY	DESCRIPTION	NOTES
1	381006618/1	1	Handle, Upper Part	Black
1	381006632/1	1	Handle, Upper Part	Yellow
2	381003330/0	1	Lever, Engine Brake	
3	181000692/0	1	Cable, Thread Engine Brake	
4	381000697/0	1	Cable, Rear Drive	
5	381003297/1	1	Driving Lever	
6	112727783/0	1	Screw	
7	322551640/0	1	Plate	
8	112154510/0	1	Nut	

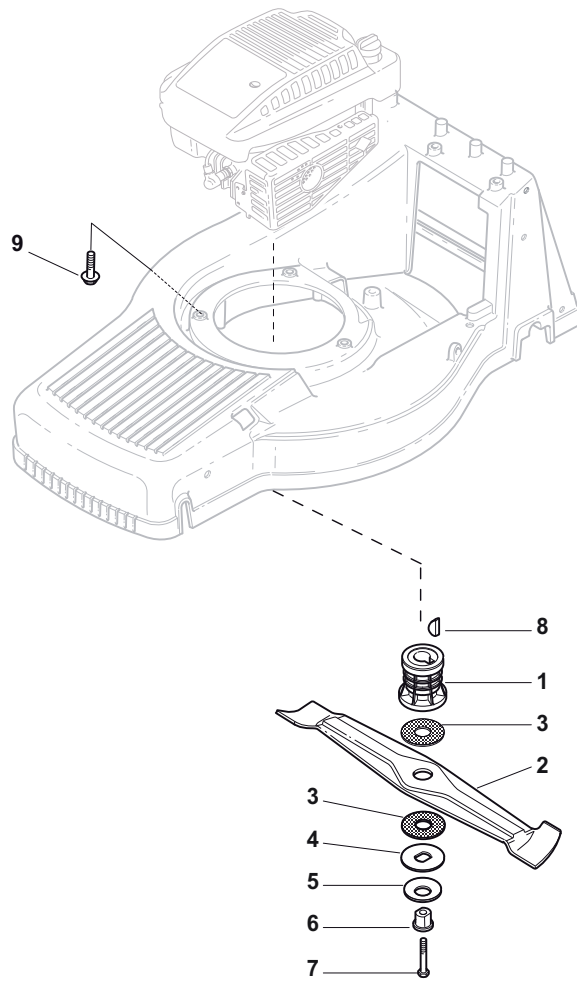




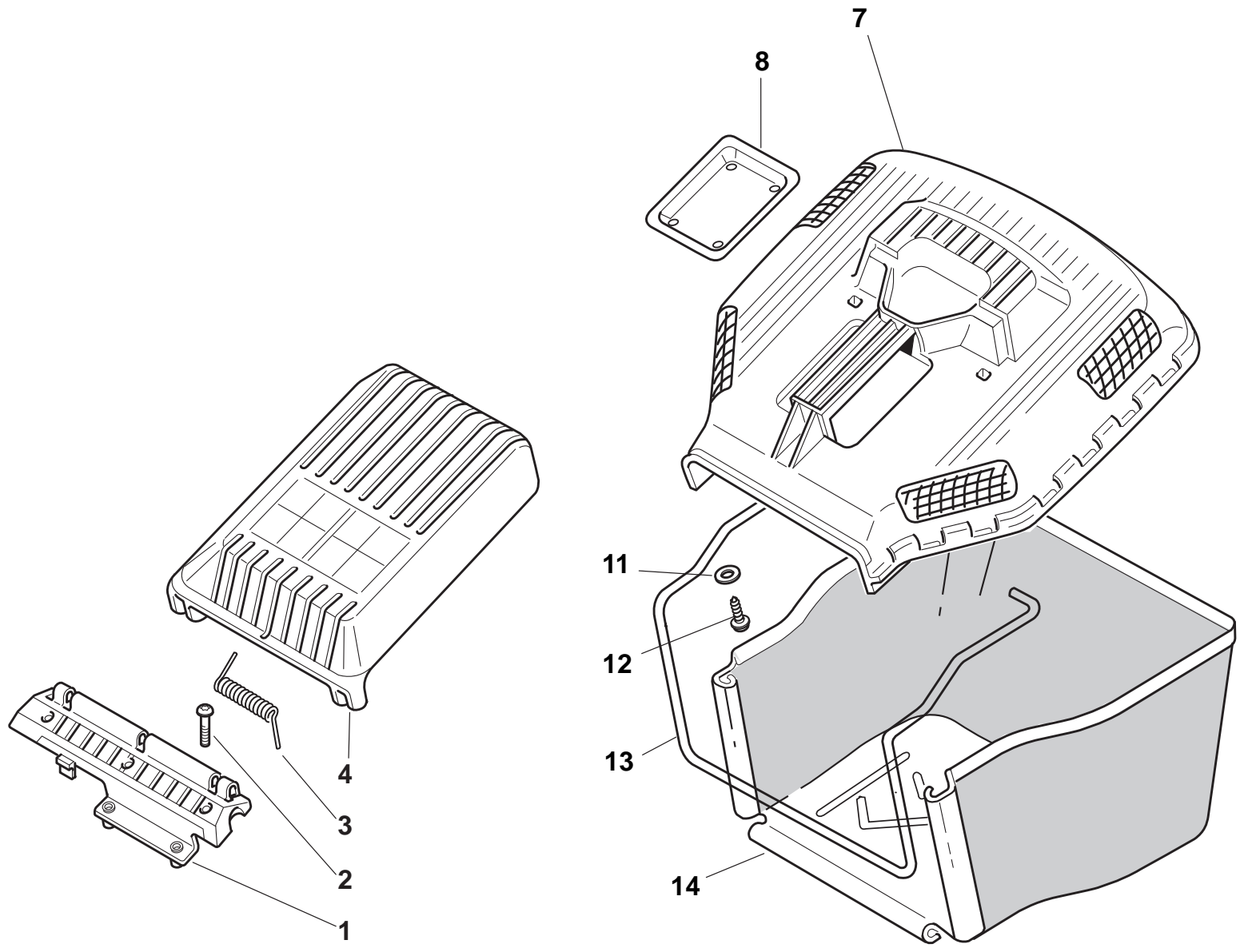
Rear Drive				
POS	CODE	Q.TY	DESCRIPTION	NOTES
1	112000957/0	2	Snap Ring	
2	112520032/0	2	Washer	
3	322160520/0	2	Dust Cover	
5	122076645/0	2	Key	
6	322170630/1	2	Spacer	
7	122753002/0	2	Pin	
8	112520032/0	2	Washer	
9	119035152/0	2	Or Ring	
12	112620310/0	1	Pin	
13	122601913/0	1	Pulley	
14	181003085/0	1	Gear Box	
15	135063175/0	1	Belt	
16	122601921/0	1	Pulley, Crankshaft Ø 25	
17	112714312/0	1	Dowel	
18	122450434/0	1	Spring	



Wheel and Hub Cap				
POS	CODE	Q.TY	DESCRIPTION	NOTES
1	381002821/0	1	Axle, Front Wheels	
2	122430210/0	2	Spring	
3	381007364/0	2	Wheel Ø 190	
4	322160522/0	2	Dust Cover	
5	119216039/0	4	Bearing	
6	112521460/0	2	Washer	
7	112735592/0	2	Screw	
8	322110379/0	2	Hub Cap	
9	122033322/0	1	Rod, Height Adjustment Control	
10	381002823/0	1	Axle, Rear Wheels	
11	122170810/0	2	Spacer	
12	122430215/0	2	Spring	
13	322600127/0	2	Protection, Wheel	
14	122570126/0	2	Pinion	
15	381007367/0	2	Wheel Ø 205	
16	112728210/0	8	Screw	
17	322120108/0	2	Ring Gear	
18	119216038/0	4	Bearing	
19	122671655/0	2	Washer	
20	112735592/0	2	Screw	
21	322110380/0	2	Hub Cap	



Blade				
POS	CODE	Q.TY	DESCRIPTION	NOTES
1	122465631/0	1	Hub With Pulley, Crankshaft Ø 25	
2	181004135/0	1	Blade Winged	
3	322672111/0	2	Clutch Washer	
4	322672105/0	1	Washer	
5	112508120/0	1	Cupped Spring	
6	122041940/0	1	Clutch Bush	
7	112736850/0	1	Screw	
8	112139150/0	1	Feather, Crankshaft Ø 25	
9	112735108/1	3	Screw	



Grass-Catcher				
POS	CODE	Q.TY	DESCRIPTION	NOTES
1	322785157/0	1	Support, Yellow	
1	322785179/0	1	Support, Black	
2	112735664/0	3	Screw	
3	122450430/0	1	Spring	
4	322600068/2	1	Stone-Guard, Black	
4	322600069/2	1	Stone-Guard, Yellow	
7	322486359/0	1	Grass-Box, Upper Part	
8	322486098/0	1	Plate	
11	112521460/0	2	Washer	
12	112728300/0	2	Screw	
13	122608528/0	1	Stiffening Lower	
14	181002235/0	1	Box, Fabric	