



[www.stiga.com](http://www.stiga.com)

# Illustrated Parts List

for model:

**MULTICLIP RENTAL 50 SB**

- Use GLOBAL GARDEN PRODUCT genuine spare parts specified in the parts list for repair and/or replacement.
- Then contents described in the parts list may change due to improvement.
- The drawings of the spare part are only indicative and might not represent the part in question exactly.
- The indications "right" - "left" - "front" - "rear" refer to the position of the operator when using the machine.
- When placing orders of parts for repair and/or replacement, make sure that the illustrated parts list is the one applying to the machine's year of manufacture, as shown on the identification plate attached to the machine.

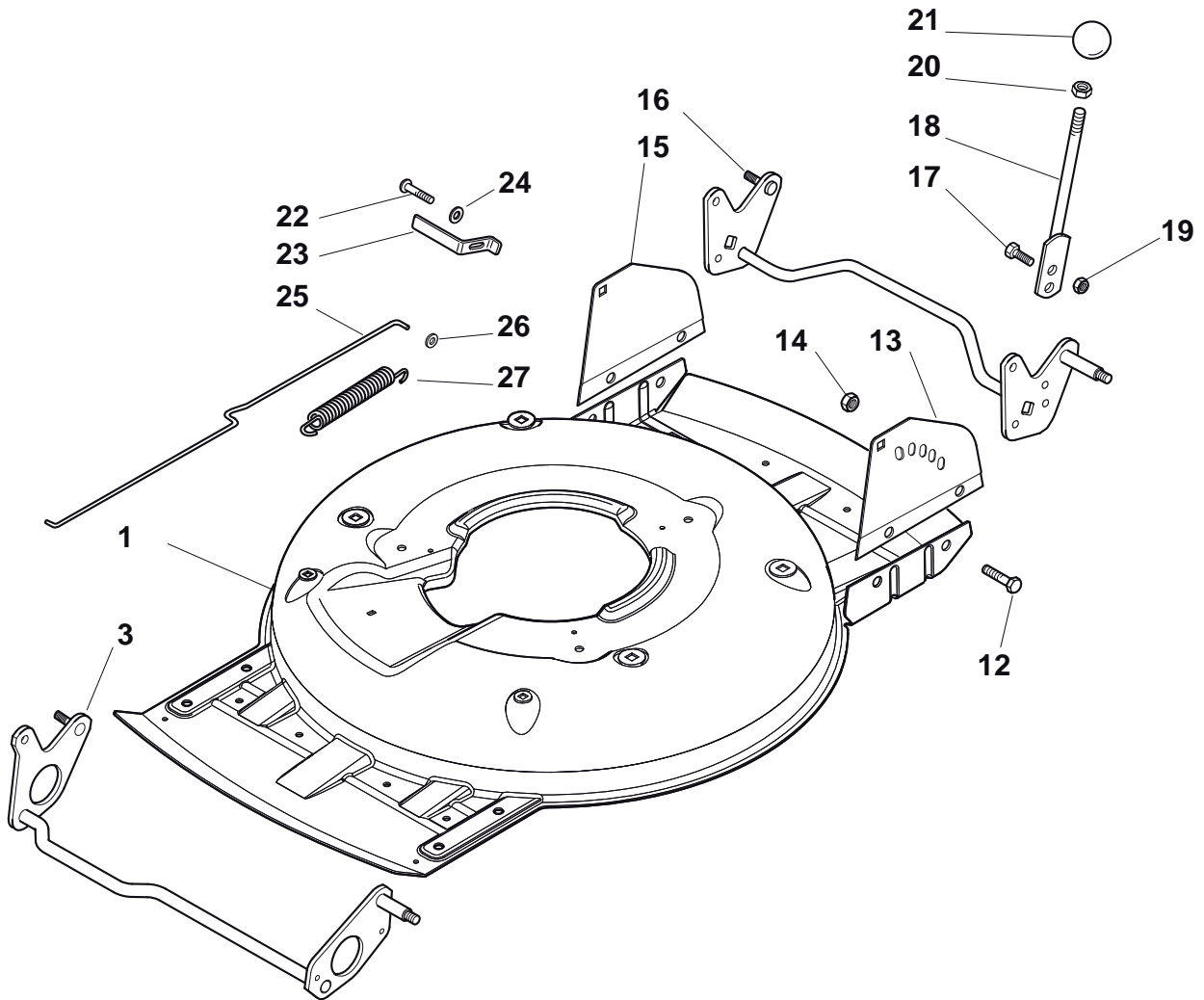
© Copyright 2014 Global Garden Products

All content is subject to copyright by Global Garden Products and may not be reproduced in whole or in part by any means, electronic or otherwise, without prior written approval.

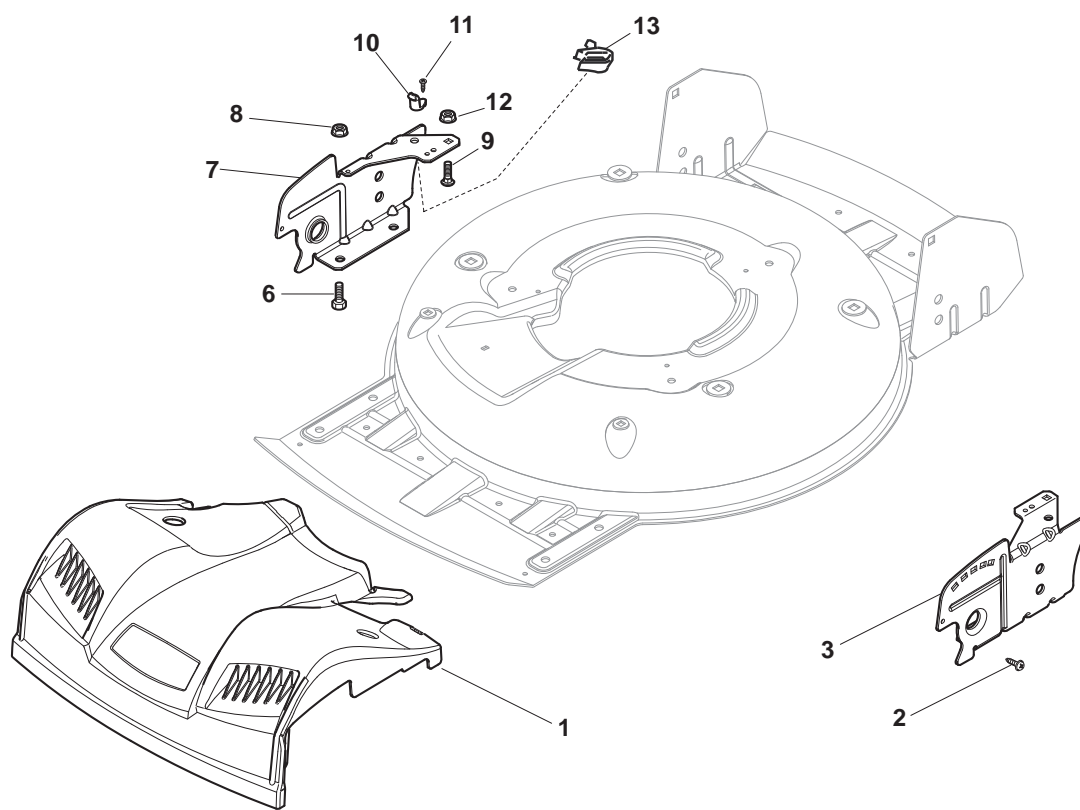
THIS INFORMATION IS NOT INTENDED FOR SALE OR RESALE, AND THIS NOTICE MUST REMAIN ON ALL COPIES.

[www.ggp-group.com](http://www.ggp-group.com)

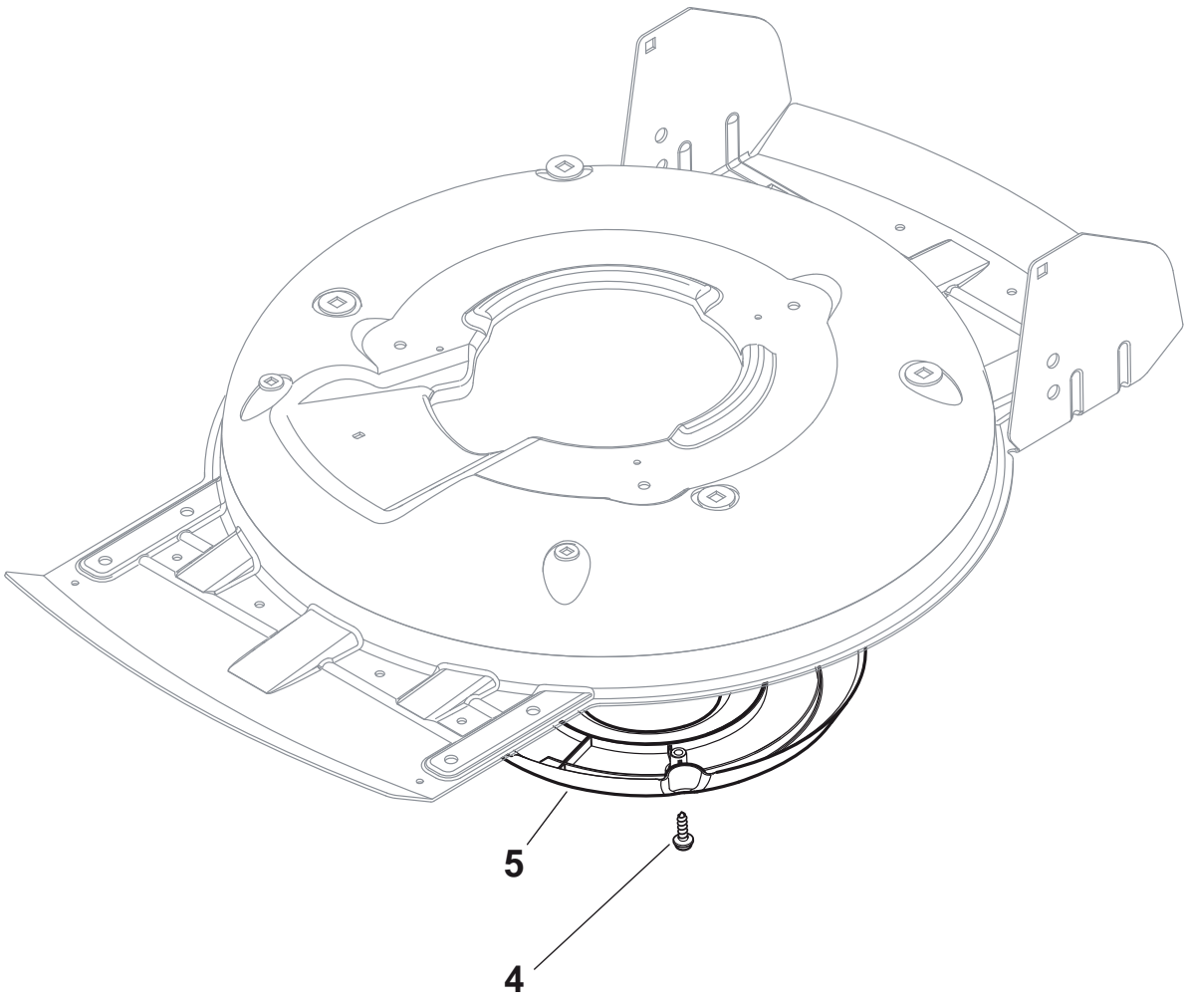




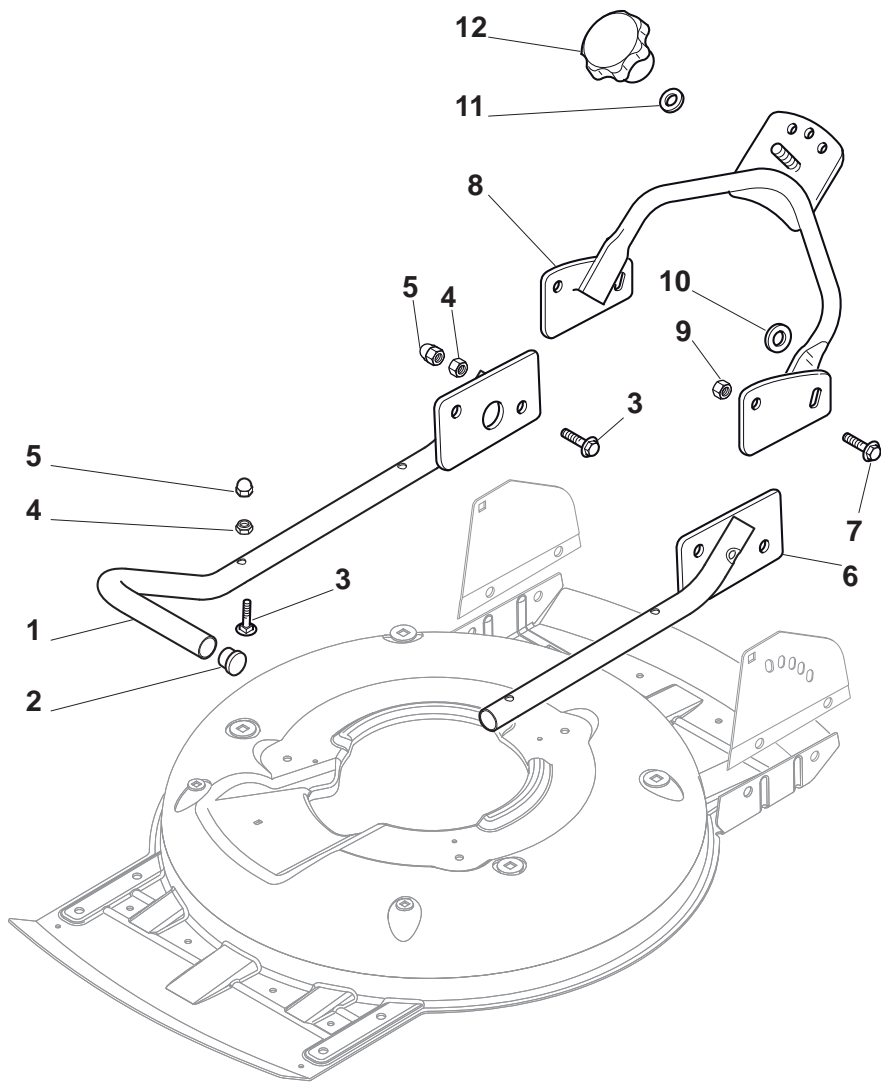
Deck				
POS	CODE	Q.TY	DESCRIPTION	NOTES
1	381004735/0	1	Deck Grey	
3	381302861/1	1	Axle, Front Wheels	
12	112791011/0	4	Screw	
13	381545105/0	1	Left Plate	
14	112154510/0	4	Nut	
15	381545104/0	1	Right Plate	
16	381302861/1	1	Axle, Rear Wheels	
17	112789000/0	2	Screw	
18	381003323/0	1	Lever, Height Adjustment	
19	112154330/0	2	Nut	
20	112293200/0	1	Nut	
21	322399812/0	1	Knob	
22	112735661/0	2	Screw	
23	322551529/0	2	Plate	
24	112521330/0	2	Washer	
25	122033329/0	1	Rod, Height Adjustment Control	
26	112604899/0	2	Crown Fastener	
27	122446184/0	1	Spring	



Mask				
POS	CODE	Q.TY	DESCRIPTION	NOTES
1	322226197/0	1	Mask, Grey	
2	112728450/0	2	Screw	
3	322778421/0	1	Bracket, L	
6	112792611/0	4	Screw	
7	322778419/0	1	Bracket, R	
8	112293201/0	4	Nut	
9	112815200/0	2	Screw	
10	322020400/0	2	Fairlead	
11	112728523/0	2	Screw	
12	112292102/0	2	Nut	
13	133320506/0	2	Fairlead	

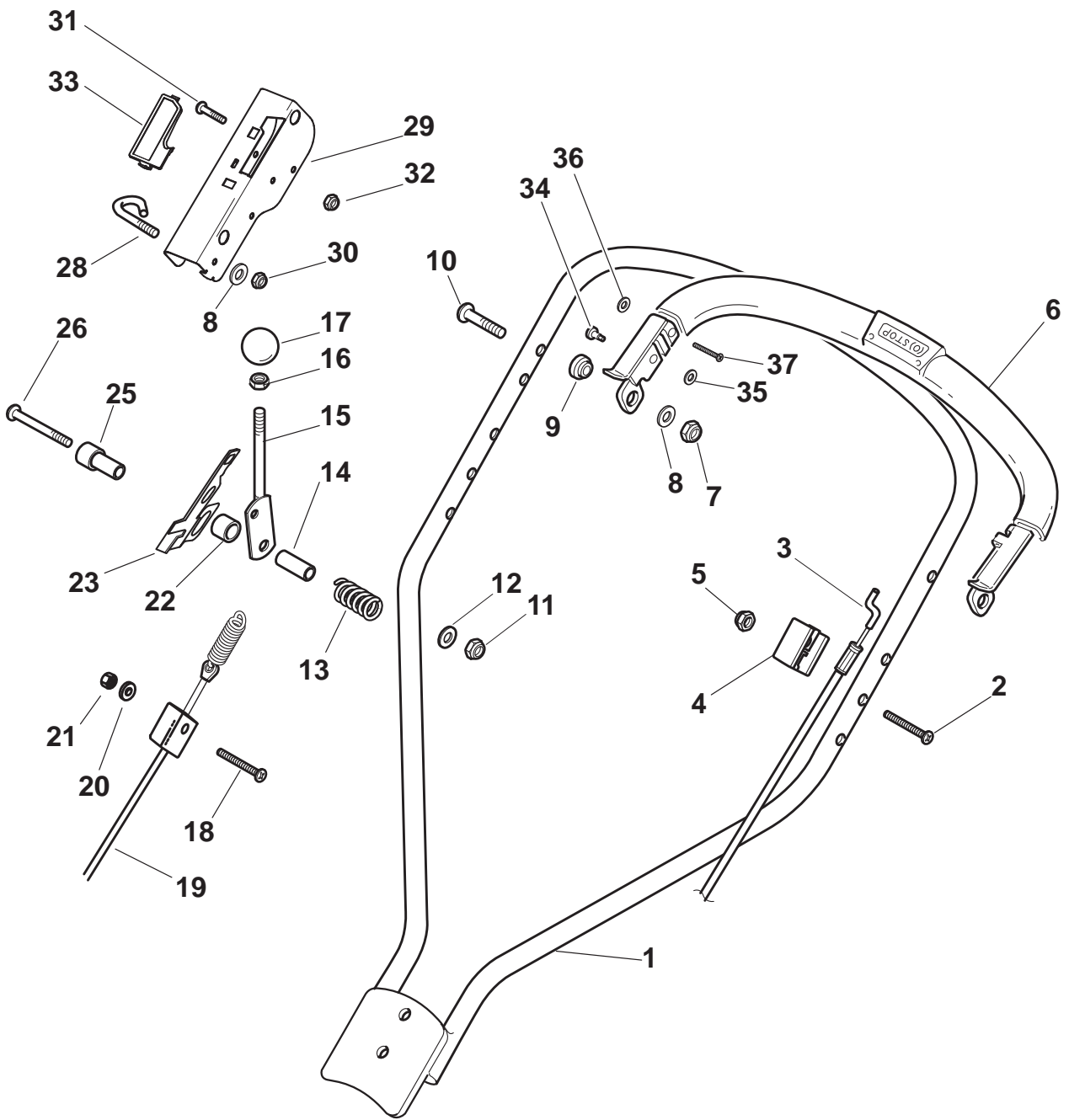


Protection Belt				
POS	CODE	Q.TY	DESCRIPTION	NOTES
4	112728530/0	3	Screw	
5	322060220/0	1	Protection	

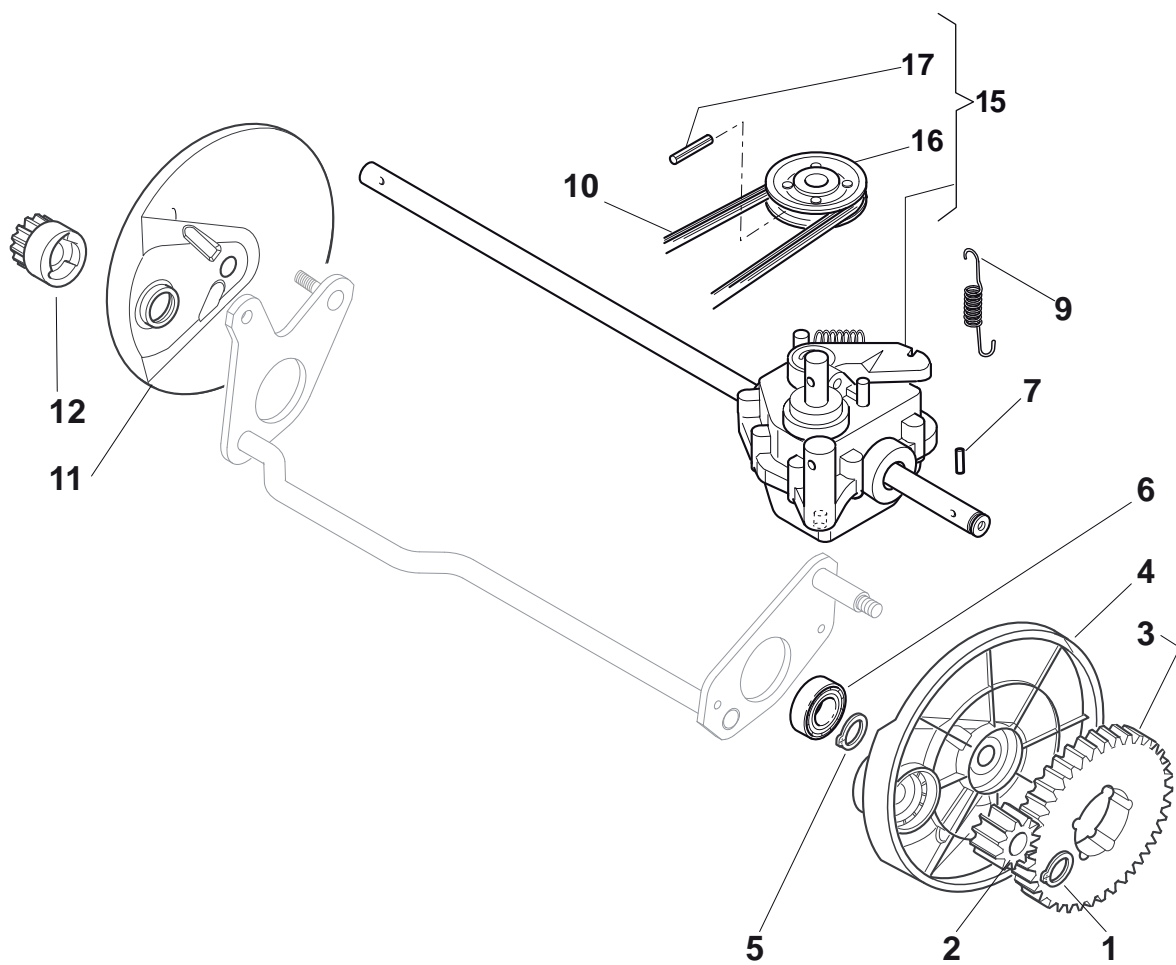




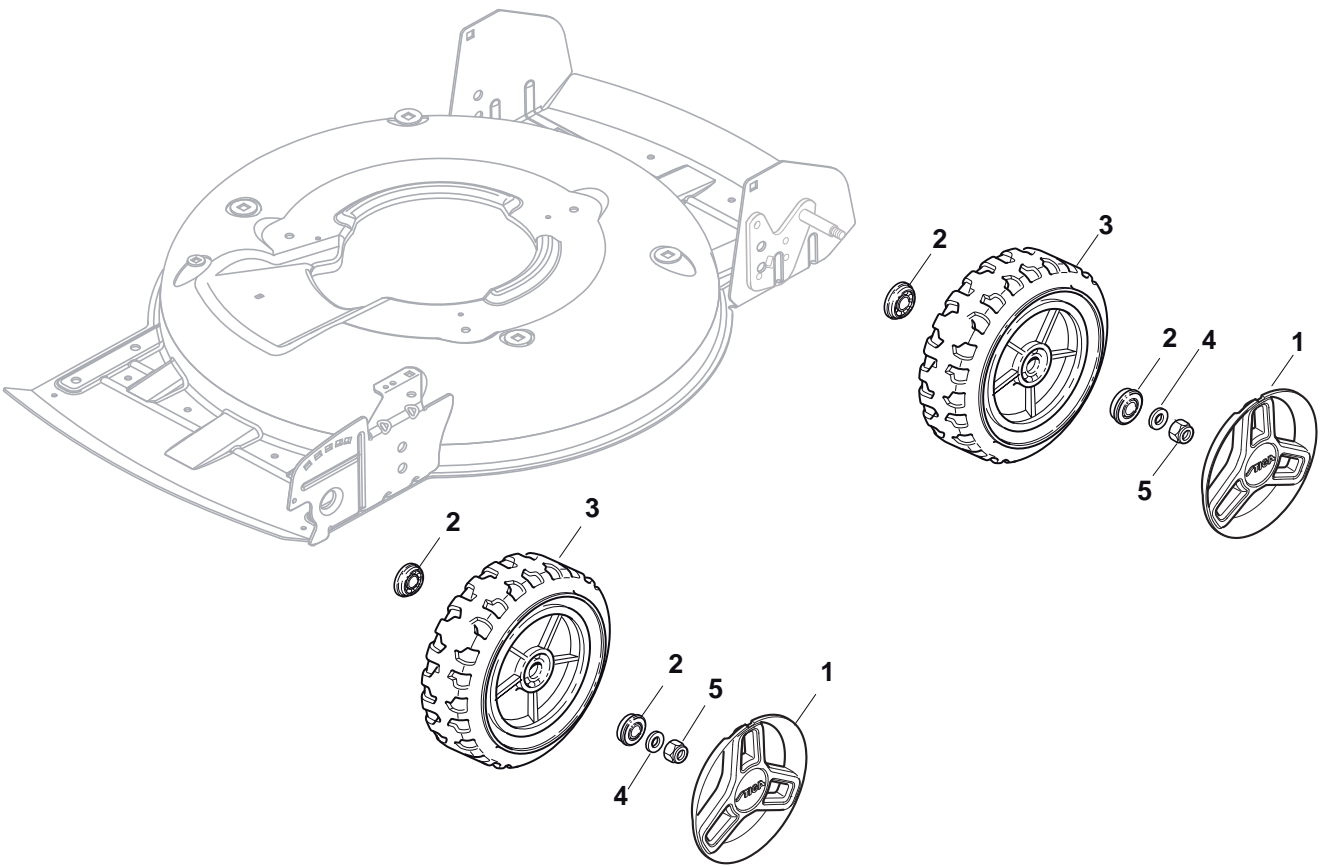
Handle, Lower Part				
POS	CODE	Q.TY	DESCRIPTION	NOTES
1	381006373/0	1	Right Handle, Lower Part Yellow	
1	381006377/0	1	Right Handle, Lower Part Black	
2	118566114/0	4	Cap	
3	112819100/0	6	Screw	
4	112155000/0	6	Nut	
5	118203854/0	6	Protection	
6	381006375/0	1	Left Handle, Lower Part Yellow	
6	381006379/0	1	Left Handle, Lower Part Black	
7	112793102/0	4	Screw	
8	381006361/1	1	Handle, Middle Part Yellow	
8	381006365/1	1	Handle, Middle Part Black	
9	112155000/0	4	Nut	
10	112523060/0	2	Washer	
11	112523080/0	1	Washer	
12	322399813/0	1	Knob	



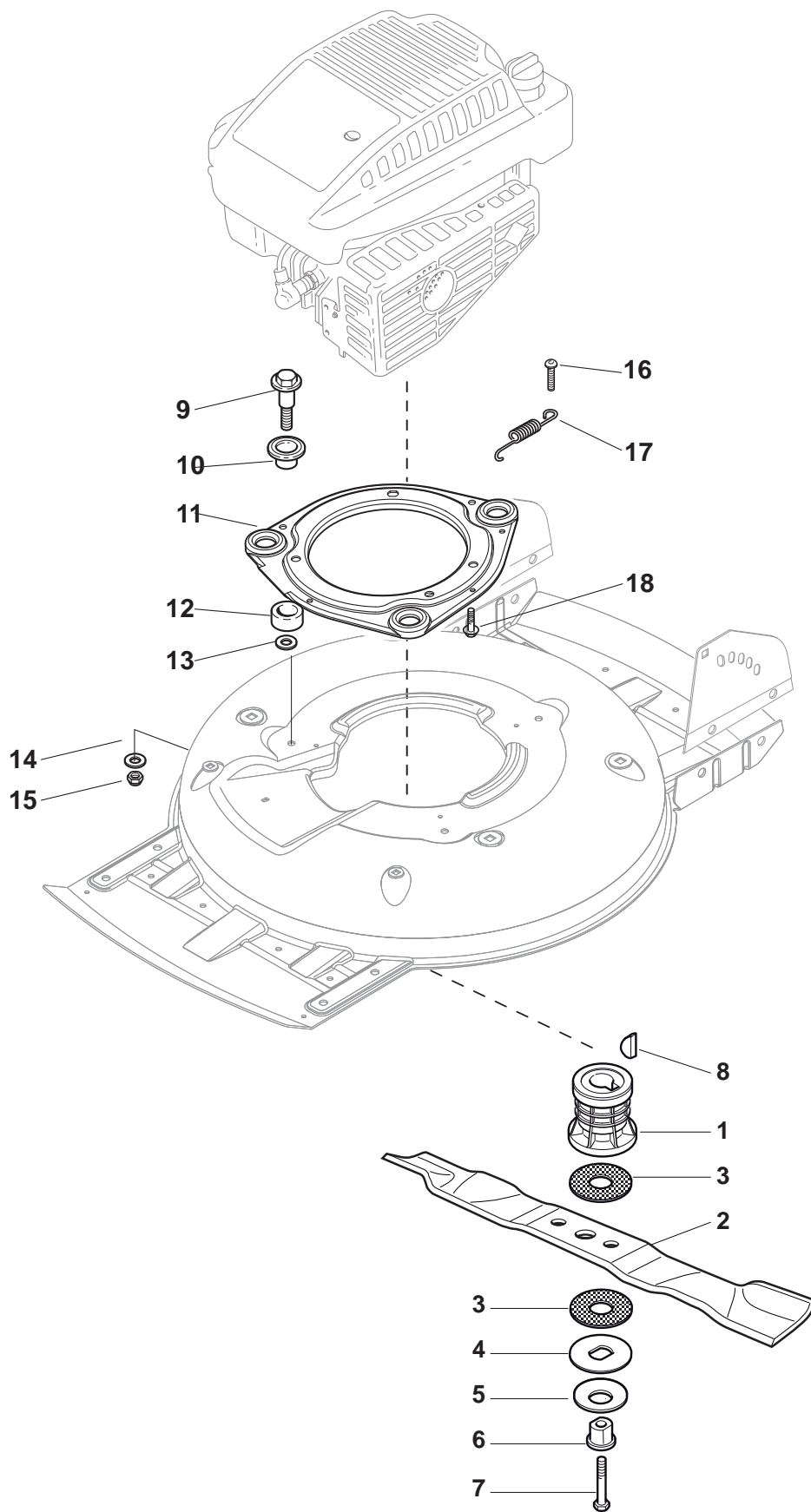
Handle, Upper Part				
POS	CODE	Q.TY	DESCRIPTION	NOTES
1	381006363/3	1	Handle, Upper Part Yellow	Yellow
1	381006367/2	1	Handle, Upper Part Black	Black
2	112727784/0	1	Screw	
3	181000618/0	1	Cable, Thread Engine Brake	
4	322551639/0	1	Plate	
5	112154510/0	1	Nut	
6	381003318/1	1	Lever, Engine Brake	
7	112154510/0	2	Nut	
8	112521330/0	4	Washer	
9	122671660/1	2	Washer	
10	112727784/0	2	Screw	
11	112154510/0	1	Nut	
12	112521330/0	1	Elastic Washer	
13	122450446/0	1	Spring	
14	122170840/0	1	Spacer	
15	381003313/0	1	Lever, Driving	
16	112293200/0	1	Nut	
17	322399812/0	1	Knob	
18	112727791/0	1	Screw	
19	381030095/0	1	Cable, Rear Drive	
20	112521330/0	1	Washer	
21	112154510/0	1	Nut	
22	122170843/0	1	Spacer	
23	322551653/0	1	Plate	
25	122170842/0	1	Spacer	
26	112727786/0	1	Screw	
28	122430314/0	1	Guide Spring	
29	381004405/0	1	Dash Board	
30	112154510/0	1	Nut	
31	112727792/0	1	Screw	
32	112154510/0	1	Nut	
33	322500050/0	1	Shoe	
34	122524342/0	1	Pin	
35	112604897/0	1	Snap Ring	
36	112154330/0	2	Screw	
37	112727796/0	2	Washer	



Rear Drive				
POS	CODE	Q.TY	DESCRIPTION	NOTES
1	112608600/0	2	Seeger	
2	122570120/1	1	Pinion L	
3	122120105/1	2	Ring Gear	
4	322600267/0	1	Plastic Wheels Protection	
5	112608600/0	2	Seeger	
6	119216035/0	2	Bearing	
7	122753000/0	2	Pin	
9	122450439/0	1	Spring	
10	135064100/0	1	Belt	
11	322600267/0	1	Plastic Wheels Protection	
12	122570110/1	1	Pinion R	
15	181003109/0	1	Gear Box	
16	122601909/0	1	Pulley	
17	112645705/0	1	Pin	



Wheels and Hub Cover				
POS	CODE	Q.TY	DESCRIPTION	NOTES
1	322110755/0	4	Hub Cap	
2	119216035/0	8	Bearing	
3	381007490/0	4	Wheel Ø 210	
4	112521350/0	4	Washer	
5	112155000/0	4	Nut	





Blade and Hub				
POS	CODE	Q.TY	DESCRIPTION	NOTES
1	122465611/0	1	Hub With Pulley, Crankshaft Ø 22.2	
2	181004146/0	1	Blade Standard	
3	322672110/1	2	Clutch Washer	
4	322672105/0	1	Washer	
5	112508120/0	1	Cupped Spring	
6	122041940/0	1	Clutch Bush	
7	112736850/0	1	Screw	
8	112139100/0	1	Feather, Crankshaft Ø 22.2	
9	122524329/0	3	Pin	
10	322672201/0	3	Washer	
11	381207221/1	1	Flange, Yellow	
12	322250012/0	3	Grommet	
13	122671651/0	3	Washer	
14	122671651/0	3	Washer	
15	112155000/0	3	Nut	
16	112791400/0	1	Screw	
17	122450444/0	1	Spring	
18	112735108/1	3	Screw	