



[www.stiga.com](http://www.stiga.com)

# Illustrated Parts List

for model:

**MULTICLIP 50 H**

- Use GLOBAL GARDEN PRODUCT genuine spare parts specified in the parts list for repair and/or replacement.
- Then contents described in the parts list may change due to improvement.
- The drawings of the spare part are only indicative and might not represent the part in question exactly.
- The indications "right" - "left" - "front" - "rear" refer to the position of the operator when using the machine.
- When placing orders of parts for repair and/or replacement, make sure that the illustrated parts list is the one applying to the machine's year of manufacture, as shown on the identification plate attached to the machine.

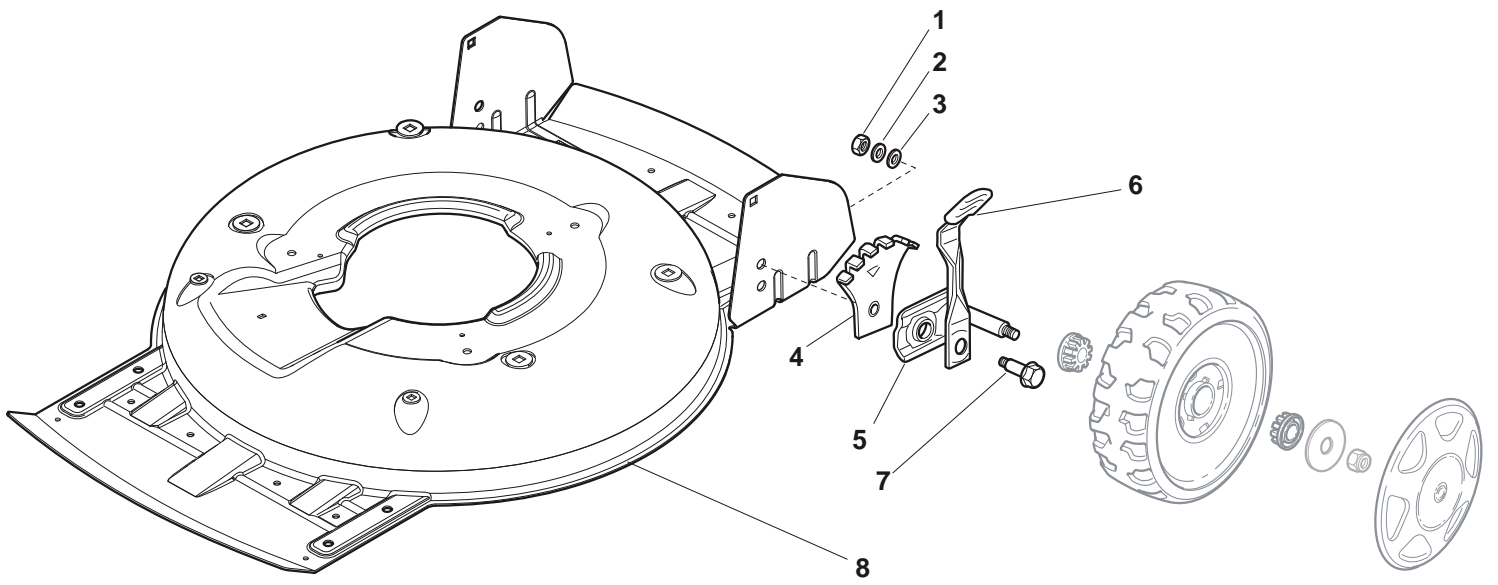
© Copyright 2014 Global Garden Products

All content is subject to copyright by Global Garden Products and may not be reproduced in whole or in part by any means, electronic or otherwise, without prior written approval.

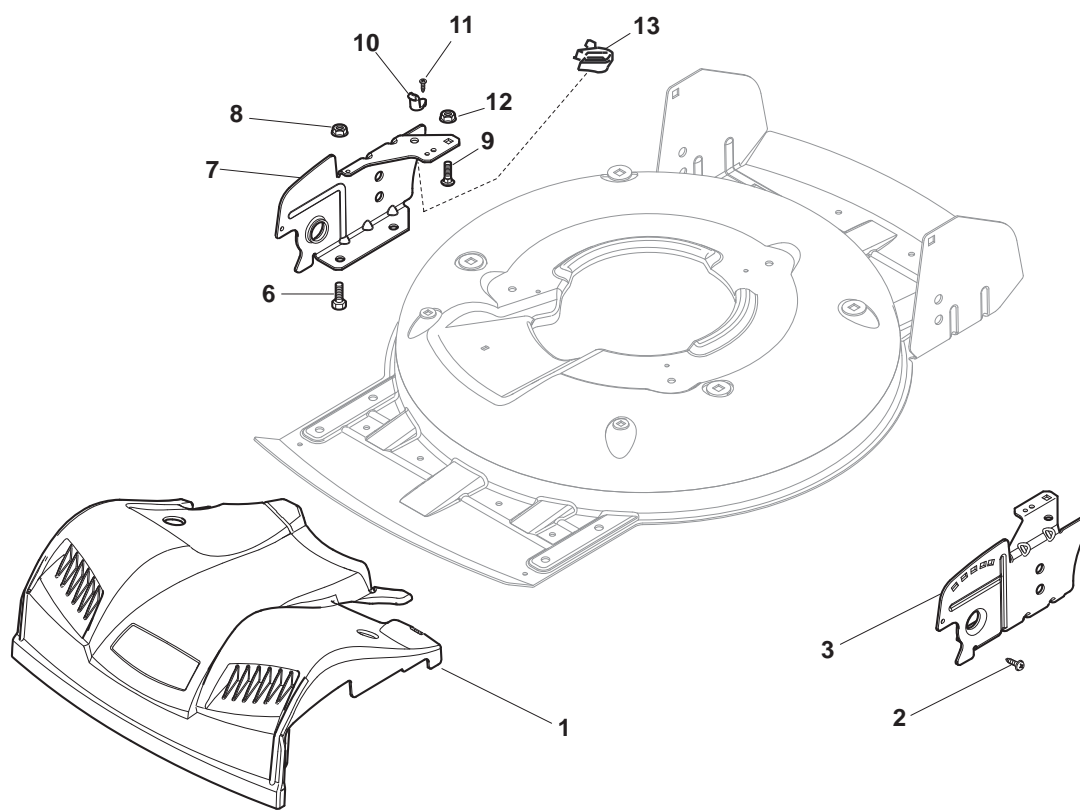
THIS INFORMATION IS NOT INTENDED FOR SALE OR RESALE, AND THIS NOTICE MUST REMAIN ON ALL COPIES.

[www.ggp-group.com](http://www.ggp-group.com)

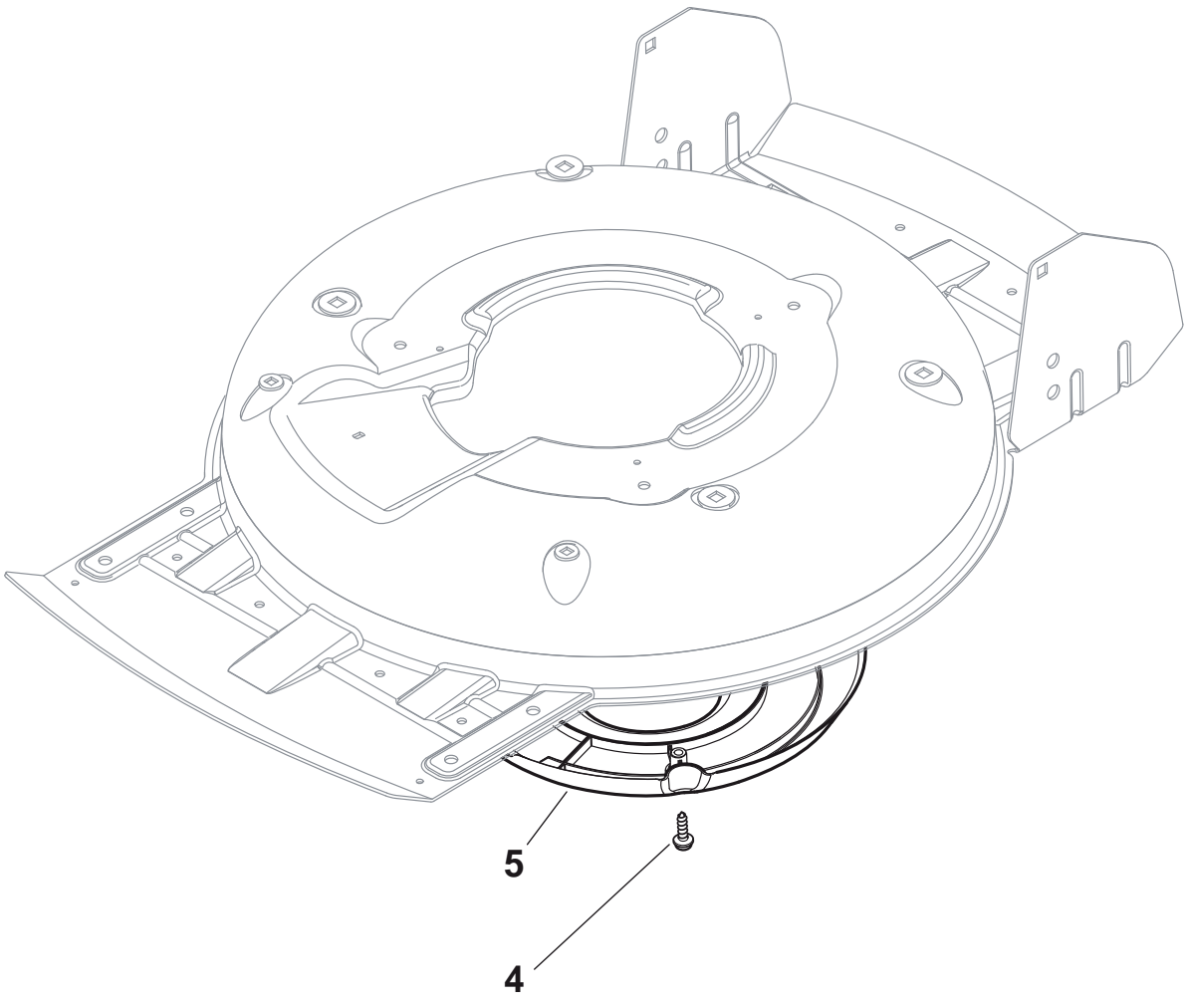




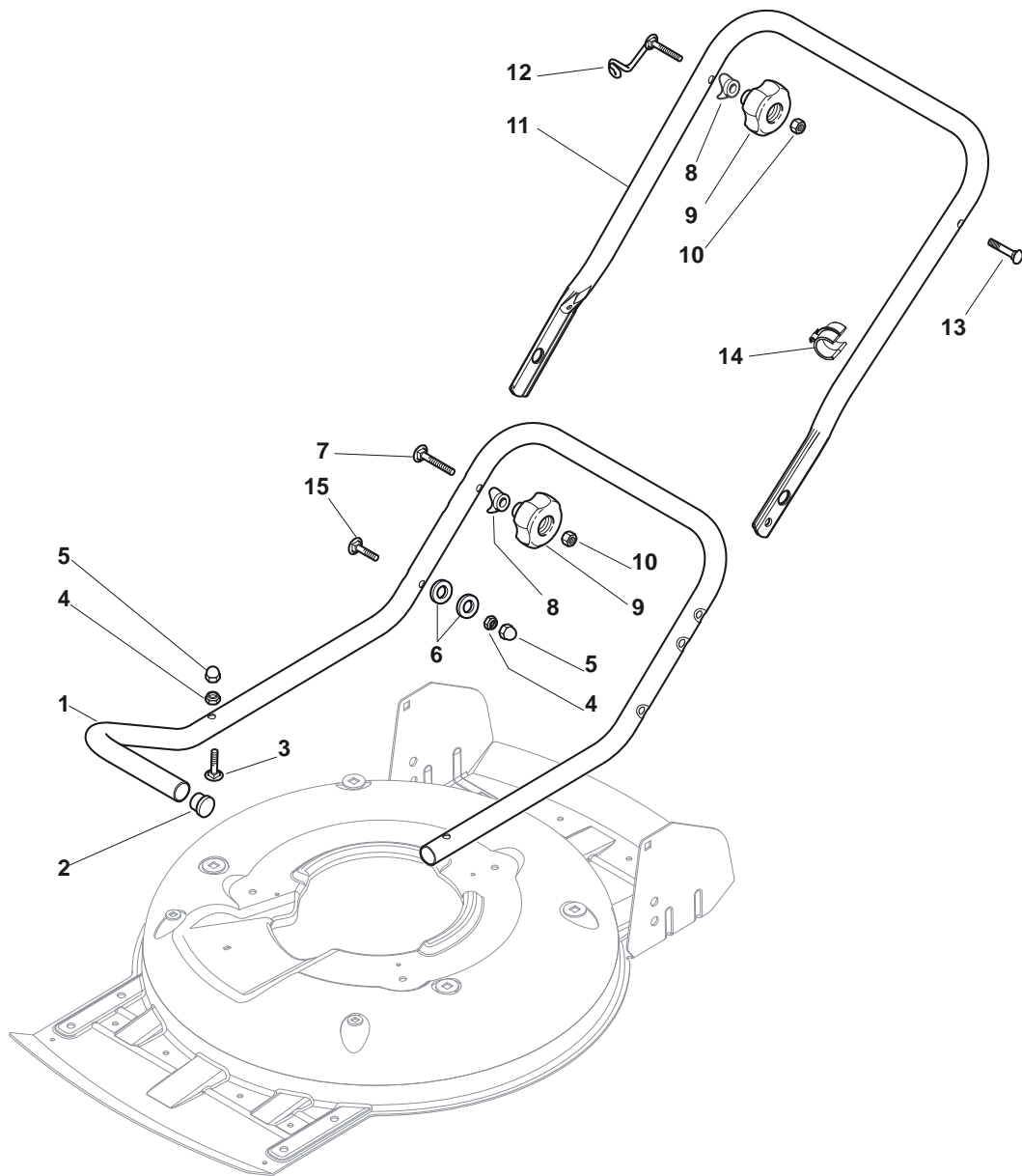
Deck				
POS	CODE	Q.TY	DESCRIPTION	NOTES
1	112293200/0	4	Nut	
2	112583500/0	4	Grower	
3	112523070/0	4	Washer	
4	322735547/0	4	Sector, Height Adjustment	
5	381005175/0	4	Support, Wheel	
6	481003286/0	4	Lever, Height Adjustment	
7	122519811/0	4	Pin	
8	381004734/0	1	Deck Grey	



Mask				
POS	CODE	Q.TY	DESCRIPTION	NOTES
1	322226197/0	1	Mask, Grey	
2	112728450/0	2	Screw	
3	322778421/0	1	Bracket, L	
6	112792611/0	4	Screw	
7	322778419/0	1	Bracket, R	
8	112293201/0	4	Nut	
9	112815200/0	2	Screw	
10	322020400/0	2	Fairlead	
11	112728523/0	2	Screw	
12	112292102/0	2	Nut	
13	133320506/0	2	Fairlead	

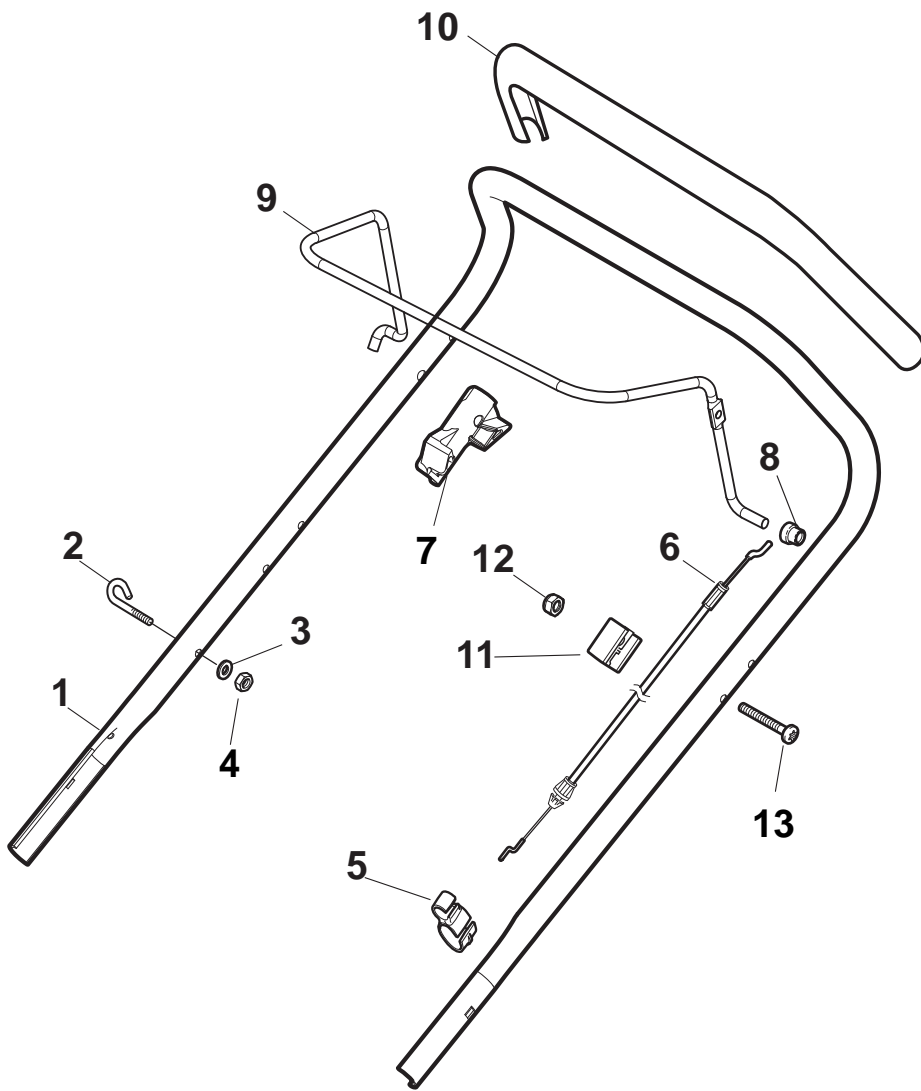


Protection Belt				
POS	CODE	Q.TY	DESCRIPTION	NOTES
4	112728530/0	3	Screw	
5	322060220/0	1	Protection	

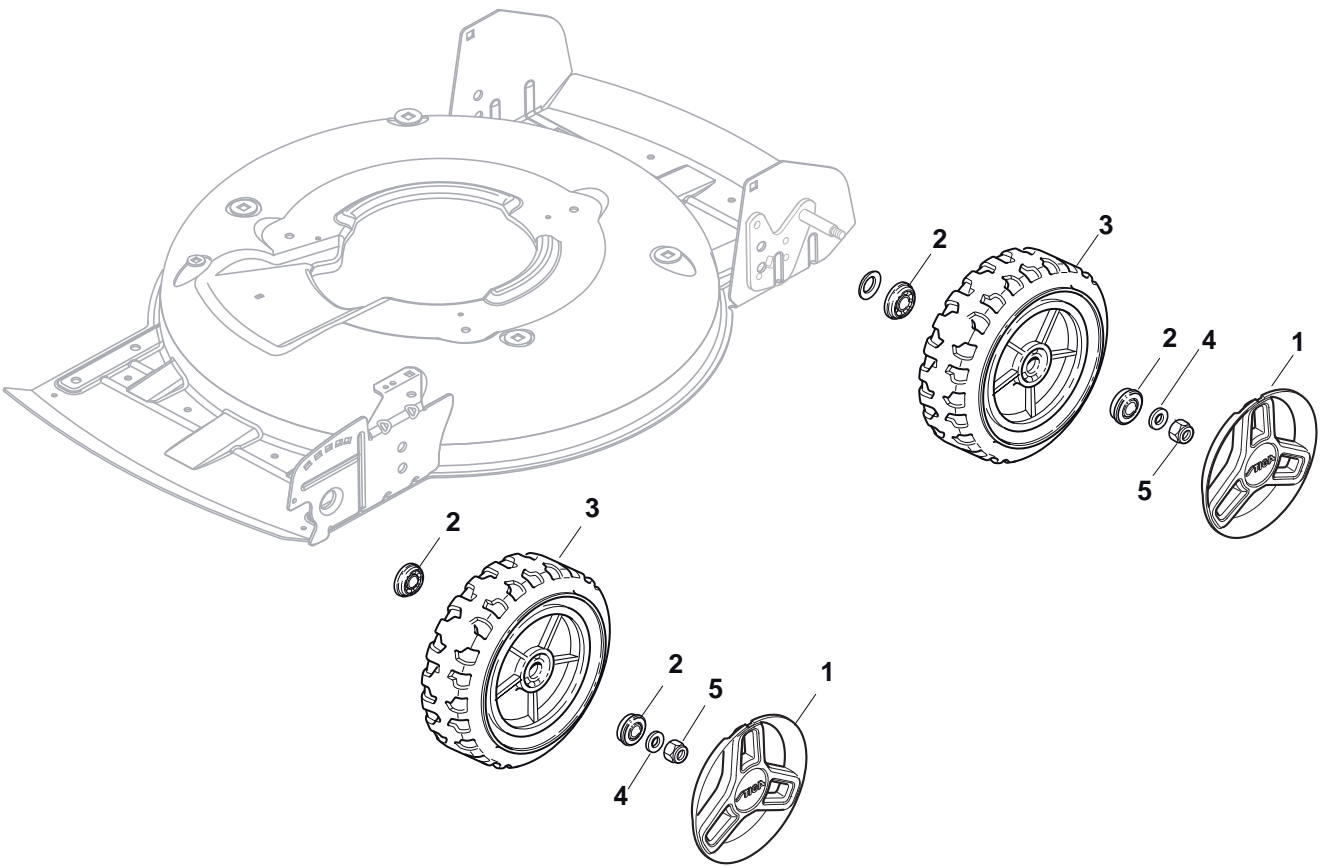




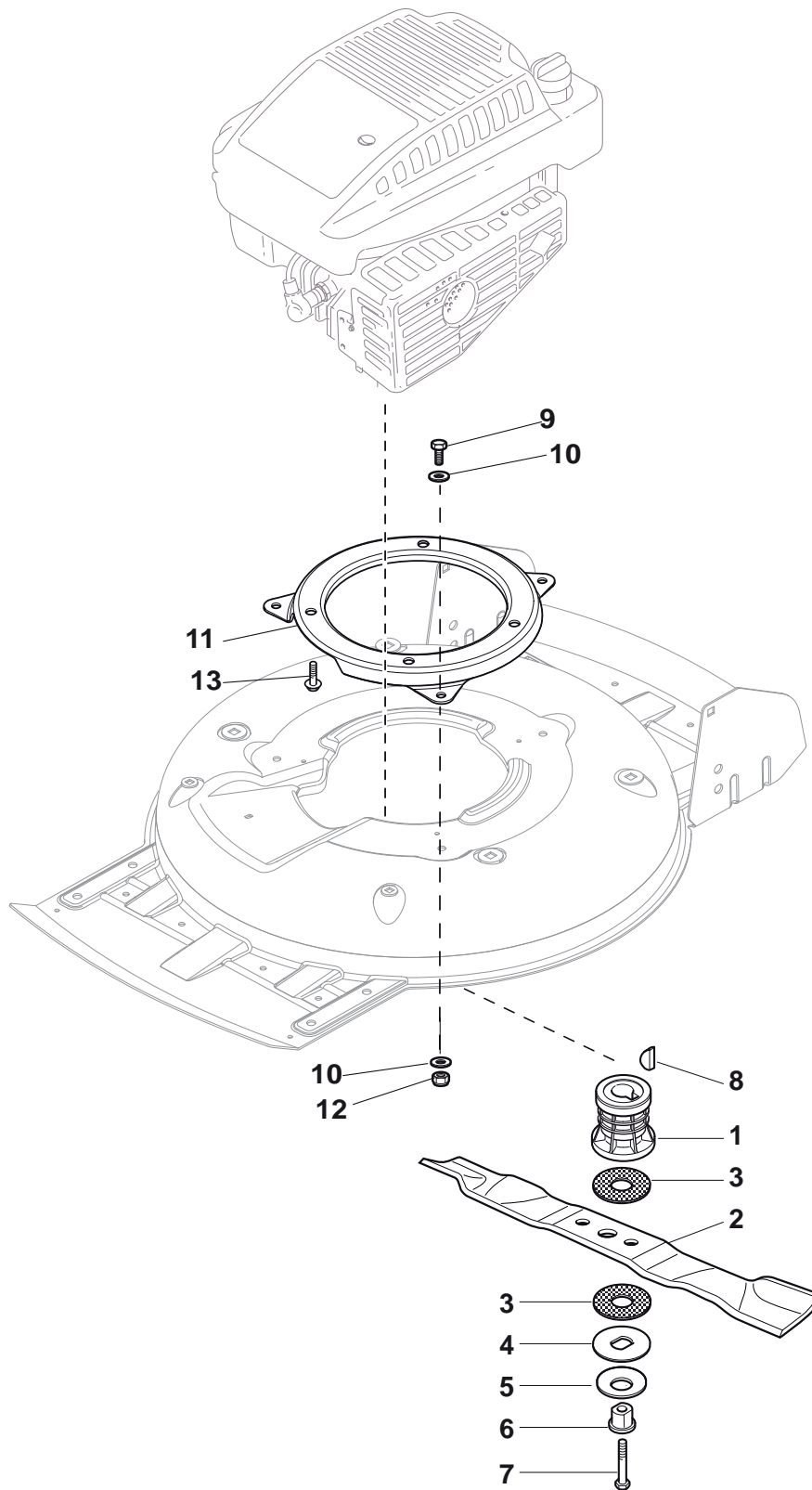
Handle, Lower Part				
POS	CODE	Q.TY	DESCRIPTION	NOTES
1	381006667/0	1	Handle, Lower Part	
2	118566110/0	2	Cap	
3	112818900/0	4	Screw	
4	112155000/0	4	Nut	
5	118203854/0	4	Protection	
6	112819100/0	2	Screw	
7	112819201/0	2	Screw	
8	122671651/0	4	Washer	
9	322399804/1	4	Knob	
10	112293200/0	4	Nut	
11	381006668/0	1	Handle, Middle Part	
12	122430313/0	1	Guide Spring	
13	112819201/0	1	Screw	
14	118390020/0	1	Fairlead	
15	112521370/0	2	Washer	



Handle, Upper Part				
POS	CODE	Q.TY	DESCRIPTION	NOTES
1	381006838/0	1	Handle, Upper Part	
2	122430313/0	1	Guide Spring	
3	112521330/0	1	Washer	
4	112154510/0	1	Nut	
5	118390020/0	1	Fairlead	
6	181030056/0	1	Cable, Thread Engine Brake	
7	322545204/0	1	Fulcrum Pin	
8	122041966/0	2	Bush	
9	381003373/0	1	Lever, Engine Brake Yellow	
10	122291050/0	1	Handgrip Black	
11	322551640/0	1	Plate	
12	112154510/0	1	Nut	
13	112727783/0	1	Screw	



Wheels and Hub Cover				
POS	CODE	Q.TY	DESCRIPTION	NOTES
1	322110755/0	4	Hub Cap	
2	119216035/0	8	Bearing	
3	381007490/0	4	Wheel Ø 210	
4	112521350/0	4	Washer	
5	112155000/0	4	Nut	



Blade and Hub				
POS	CODE	Q.TY	DESCRIPTION	NOTES
1	122465612/1	1	Hub With Pulley, Crankshaft Ø 25	
2	181004146/0	1	Blade Standard	
3	322672110/1	2	Clutch Washer	
4	322672105/0	1	Washer	
5	112508120/0	1	Cupped Spring	
6	122041940/0	1	Clutch Bush	
7	112736850/0	1	Screw	
8	112139150/0	1	Feather, Crankshaft Ø 25	
9	112793102/0	3	Screw	
10	112523060/0	6	Washer	
11	322207219/1	1	Flange	
12	112155000/0	3	Nut	
13	112735108/1	3	Screw	