



www.stiga.com

Illustrated Parts List

for model:

MULTICLIP 50 E Svan

- Use GLOBAL GARDEN PRODUCT genuine spare parts specified in the parts list for repair and/or replacement.
- Then contents described in the parts list may change due to improvement.
- The drawings of the spare part are only indicative and might not represent the part in question exactly.
- The indications "right" - "left" - "front" - "rear" refer to the position of the operator when using the machine.
- When placing orders of parts for repair and/or replacement, make sure that the illustrated parts list is the one applying to the machine's year of manufacture, as shown on the identification plate attached to the machine.

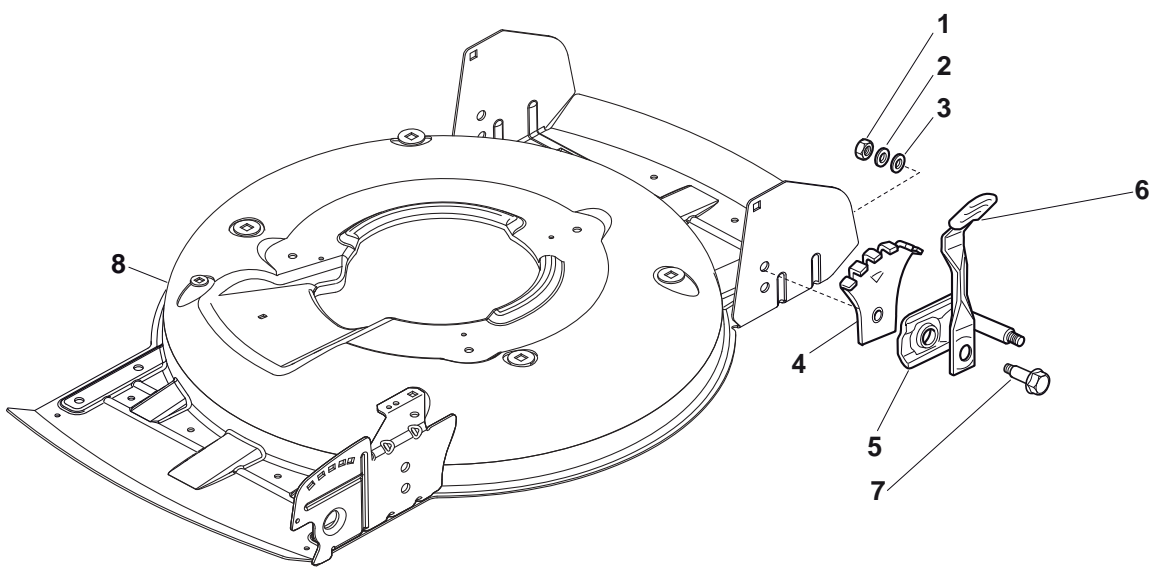
© Copyright 2014 Global Garden Products

All content is subject to copyright by Global Garden Products and may not be reproduced in whole or in part by any means, electronic or otherwise, without prior written approval.

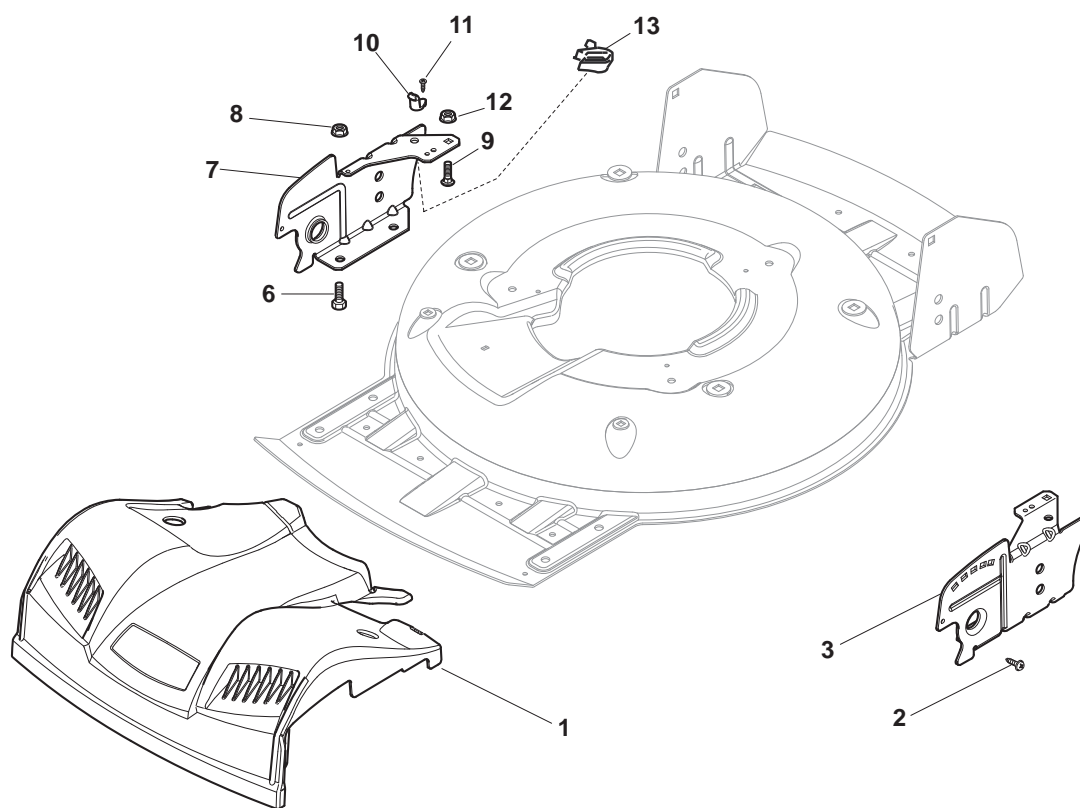
THIS INFORMATION IS NOT INTENDED FOR SALE OR RESALE, AND THIS NOTICE MUST REMAIN ON ALL COPIES.

www.ggp-group.com

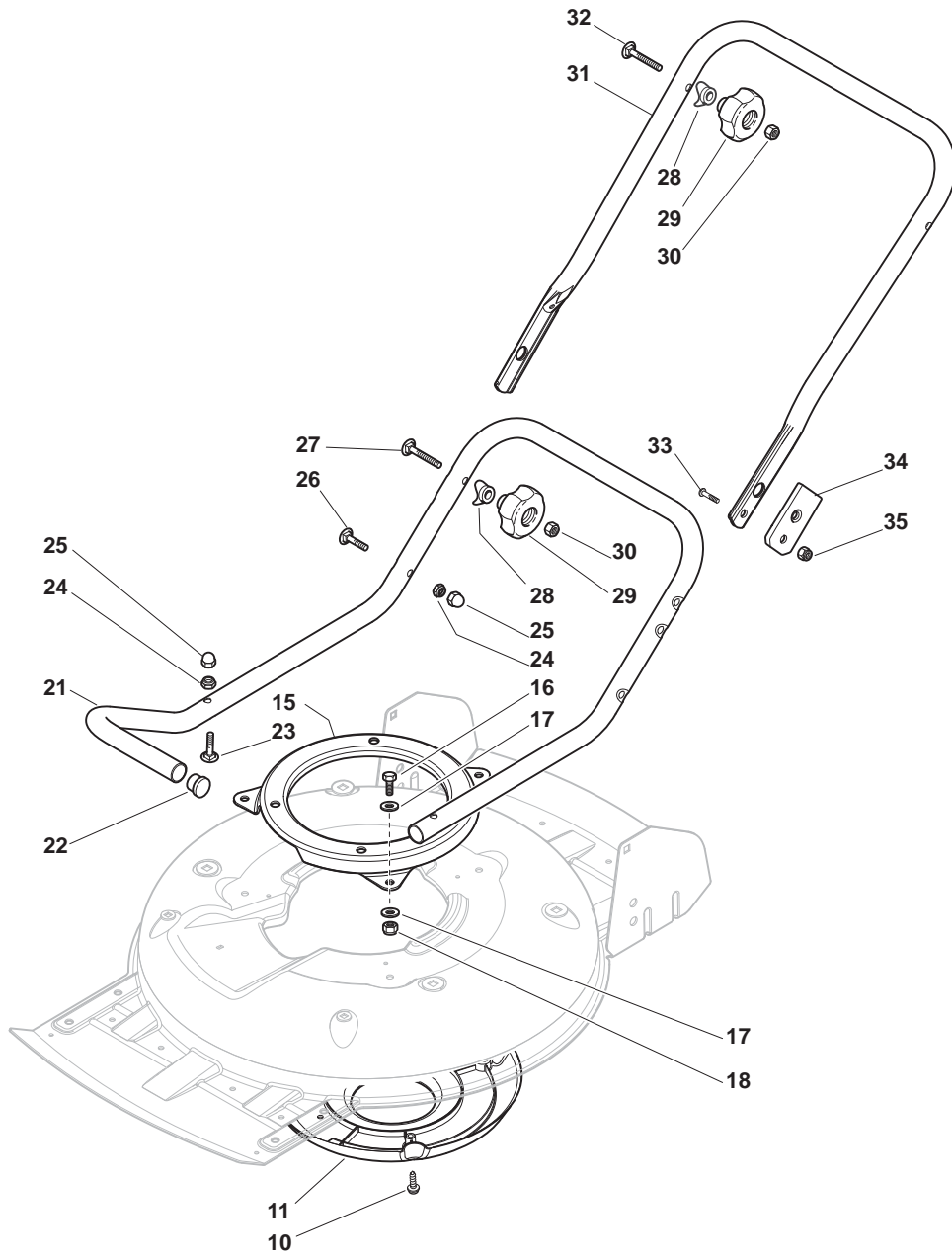




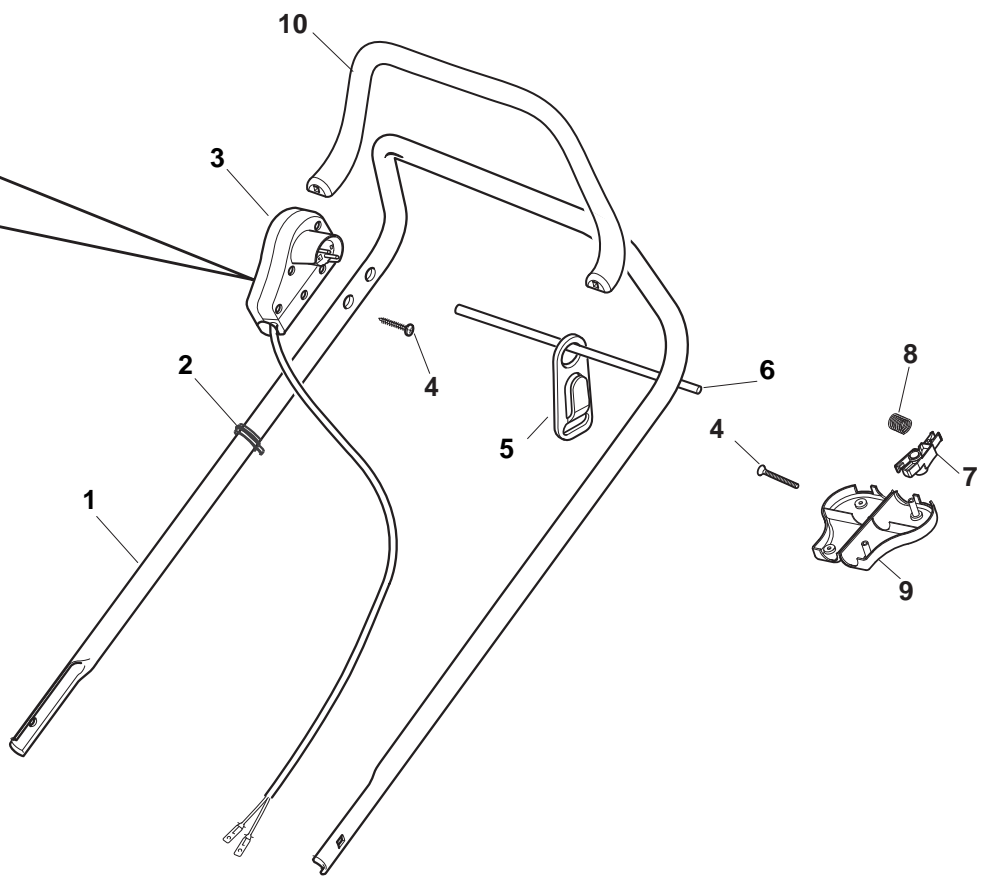
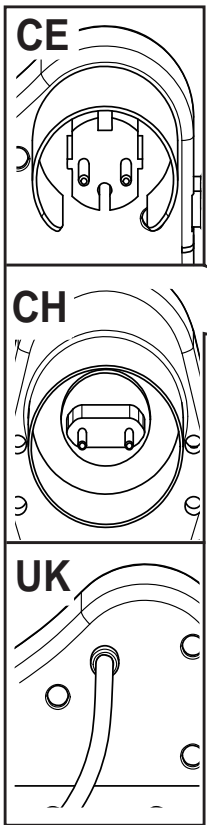
Deck				
POS	CODE	Q.TY	DESCRIPTION	NOTES
1	112293200/0	4	Nut	
2	112583500/0	4	Grower	
3	112523070/0	4	Washer	
4	322735547/0	4	Sector, Height Adjustment	
5	381005175/0	4	Support, Wheel	
6	481003286/0	4	Lever, Height Adjustment	
7	122519811/0	4	Pin	
8	381004734/0	1	Deck Grey	



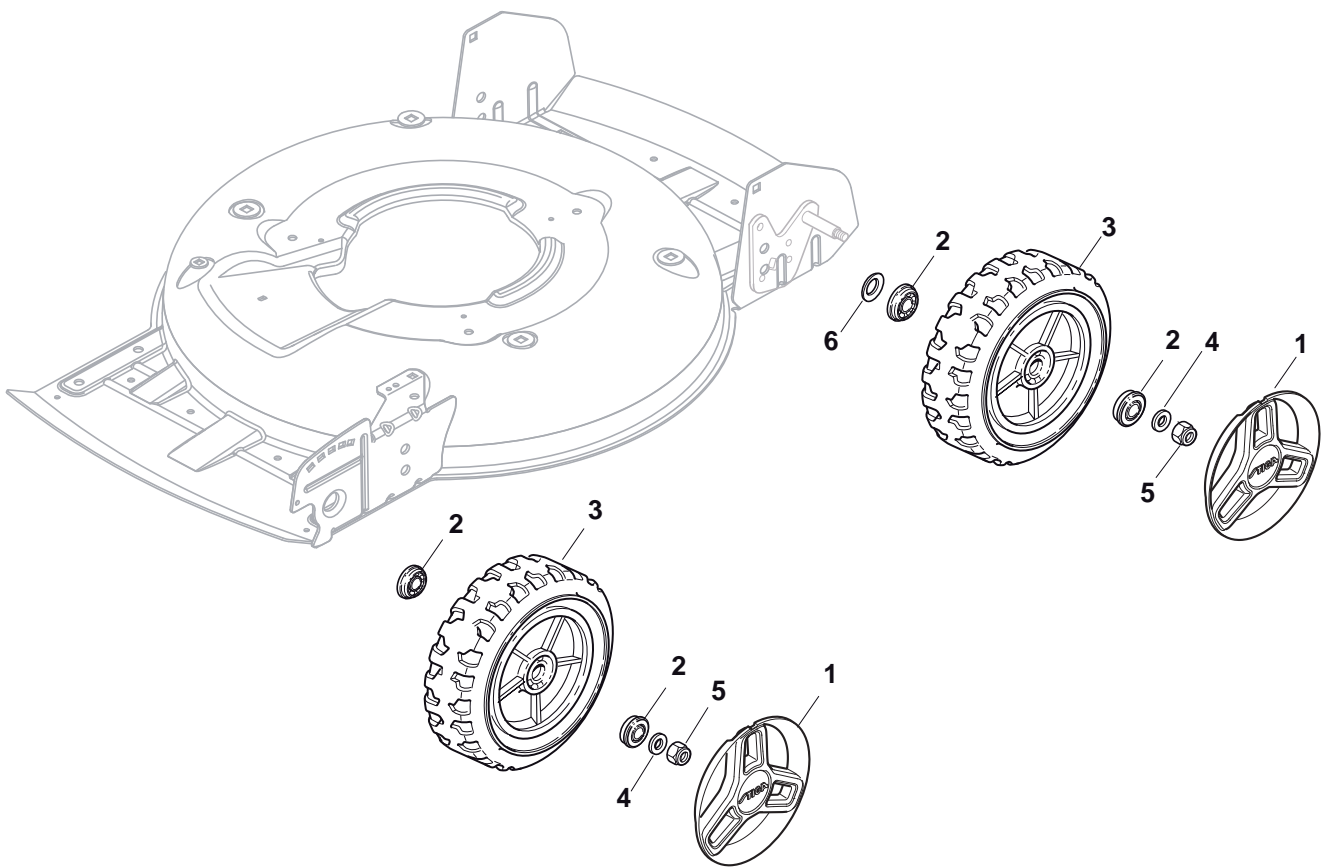
Mask				
POS	CODE	Q.TY	DESCRIPTION	NOTES
1	322226197/0	1	Mask, Grey	
2	112728450/0	2	Screw	
3	322778421/0	1	Bracket, L	
6	112792611/0	4	Screw	
7	322778419/0	1	Bracket, R	
8	112293201/0	4	Nut	
9	112815200/0	2	Screw	
10	322020400/0	2	Fairlead	
11	112728523/0	2	Screw	
12	112292102/0	2	Nut	
13	133320506/0	2	Fairlead	



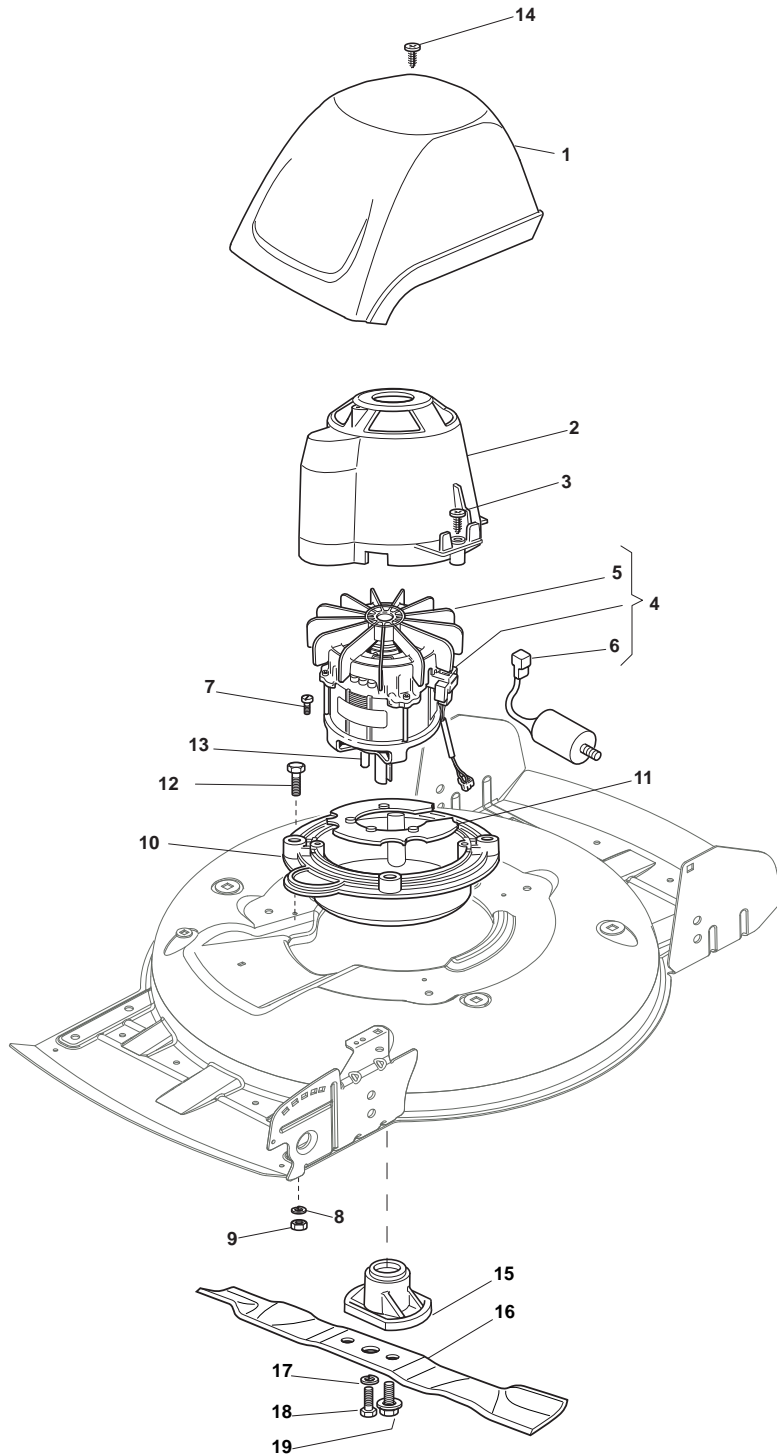
Handle, Lower Part				
POS	CODE	Q.TY	DESCRIPTION	NOTES
10	112728530/0	3	Screw	
11	322060220/0	1	Protection	
15	322207219/1	1	Flange	
16	112793102/0	3	Screw	
17	112523060/0	6	Washer	
18	112155000/0	3	Nut	
21	381006667/0	1	Handle, Lower Part	
22	118566110/0	2	Cap	
23	112818900/0	4	Screw	
24	112155000/0	4	Nut	
25	118203854/0	4	Protection	
26	112818900/0	4	Screw	
27	112819202/0	2	Screw	
28	122680006/1	4	Washer	
29	322399804/1	4	Knob	
30	112293200/0	4	Nut	
31	381006669/0	1	Handle, Middle Part	
32	112819201/0	2	Screw	
33	112760475/0	2	Screw	
34	322551578/0	2	Plate	
35	112154330/0	2	Nut	



Handle, Upper Part				
POS	CODE	Q.TY	DESCRIPTION	NOTES
1	381007017/2	1	Handle, Upper Part	
2	122192000/1	2	Clamp	
3	381600503/5	1	Dead Hand Switch	CE plug
4	112728701/0	4	Screw	
5	322195101/4	1	Fairlead	
6	122010251/0	1	Rod, Fairlead Bearing	
7	322230350/1	1	Fulcrum Pin	
8	122450115/0	1	Spring	
9	322785144/1	1	Support	
10	322322881/1	1	Lever, Engine Brake Black	



Wheels and Hub Cover				
POS	CODE	Q.TY	DESCRIPTION	NOTES
1	322110755/0	4	Hub Cap	
2	119216035/0	8	Bearing	
3	381007490/0	4	Wheel Ø 210	
4	112521350/0	4	Washer	
5	112155000/0	4	Nut	



Electric Motor / Blade				
POS	CODE	Q.TY	DESCRIPTION	NOTES
1	322055140/0	1	Cover, Yellow	
2	122785061/1	1	Support, Cover	
3	112728710/0	4	Screw	
4	118563605/0	1	Motor ATB	
5	118740054/0	1	Fan Motor Atb	
6	118222045/0	1	Condenser 16 µf	
7	112735410/0	4	Screw	
8	112583500/0	4	Grower	
9	112293200/0	4	Nut	
10	322207216/0	1	Flange	
11	122720360/1	1	Fan	
12	112793701/0	4	Screw	
13	112139440/0	1	Feather	
14	112728680/0	2	Screw	
17	112583500/0	2	Grower	
18	112793101/0	2	Screw	
19	381004352/1	1	Screw	