



[www.stiga.com](http://www.stiga.com)

# Illustrated Parts List

for model:

**DINO 47 B**

- Use GLOBAL GARDEN PRODUCT genuine spare parts specified in the parts list for repair and/or replacement.
- Then contents described in the parts list may change due to improvement.
- The drawings of the spare part are only indicative and might not represent the part in question exactly.
- The indications "right" - "left" - "front" - "rear" refer to the position of the operator when using the machine.
- When placing orders of parts for repair and/or replacement, make sure that the illustrated parts list is the one applying to the machine's year of manufacture, as shown on the identification plate attached to the machine.

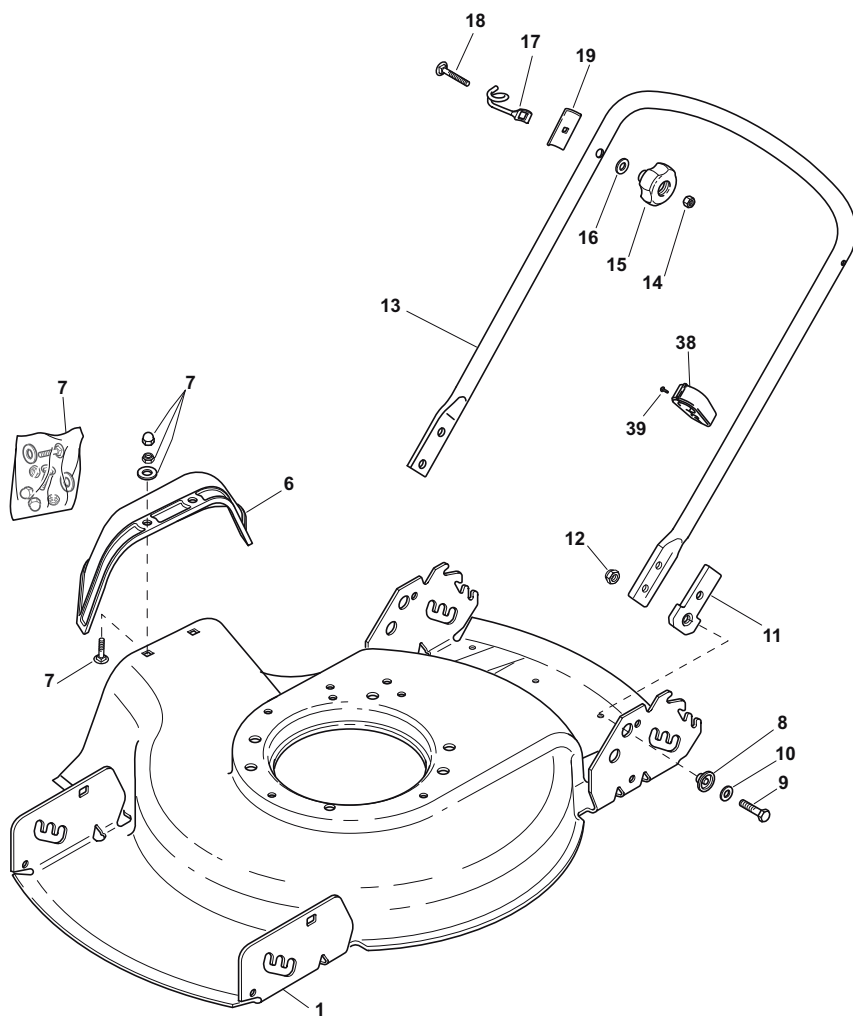
© Copyright 2014 Global Garden Products

All content is subject to copyright by Global Garden Products and may not be reproduced in whole or in part by any means, electronic or otherwise, without prior written approval.

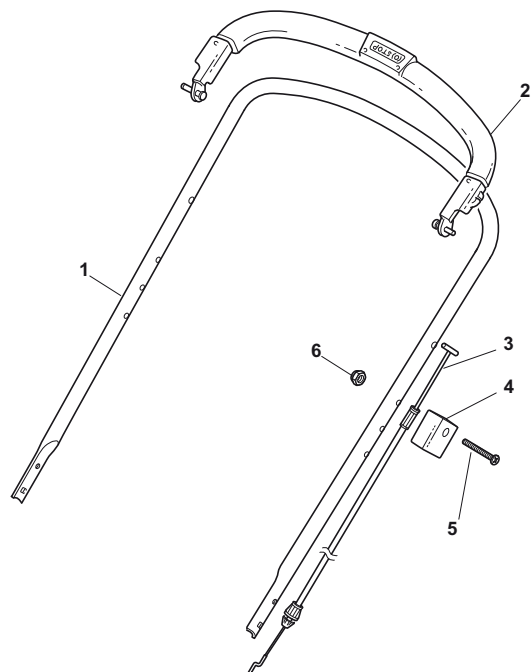
THIS INFORMATION IS NOT INTENDED FOR SALE OR RESALE, AND THIS NOTICE MUST REMAIN ON ALL COPIES.

[www.ggp-group.com](http://www.ggp-group.com)

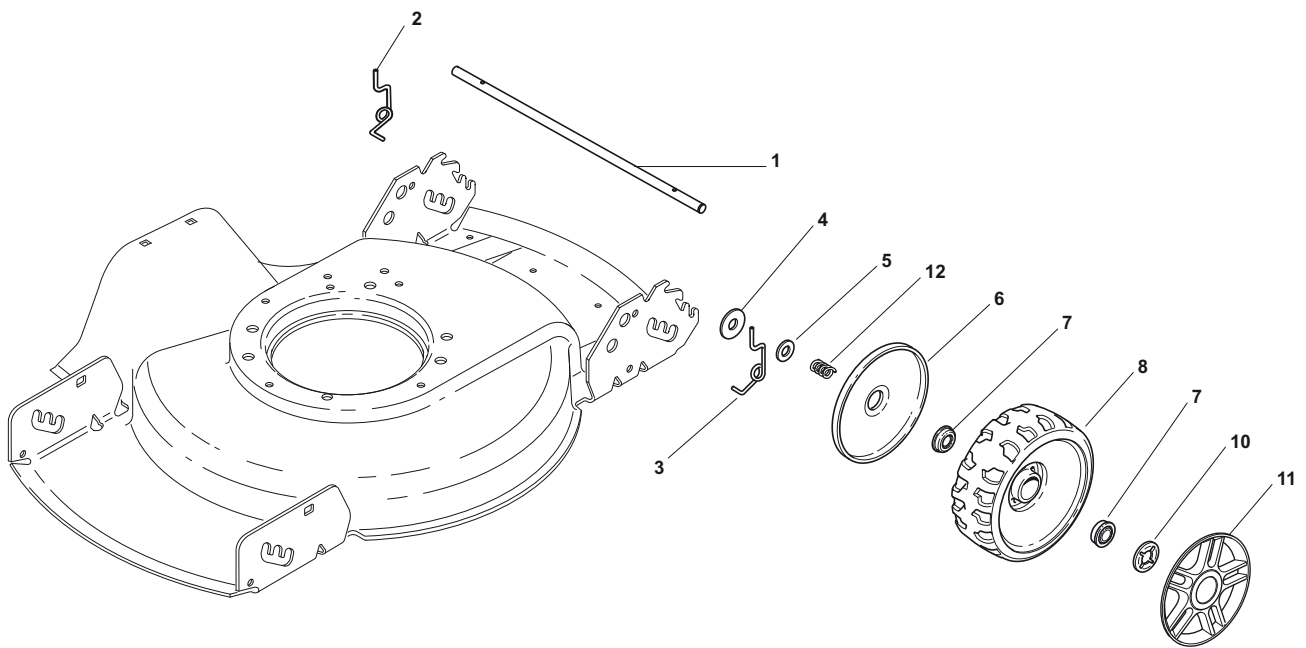




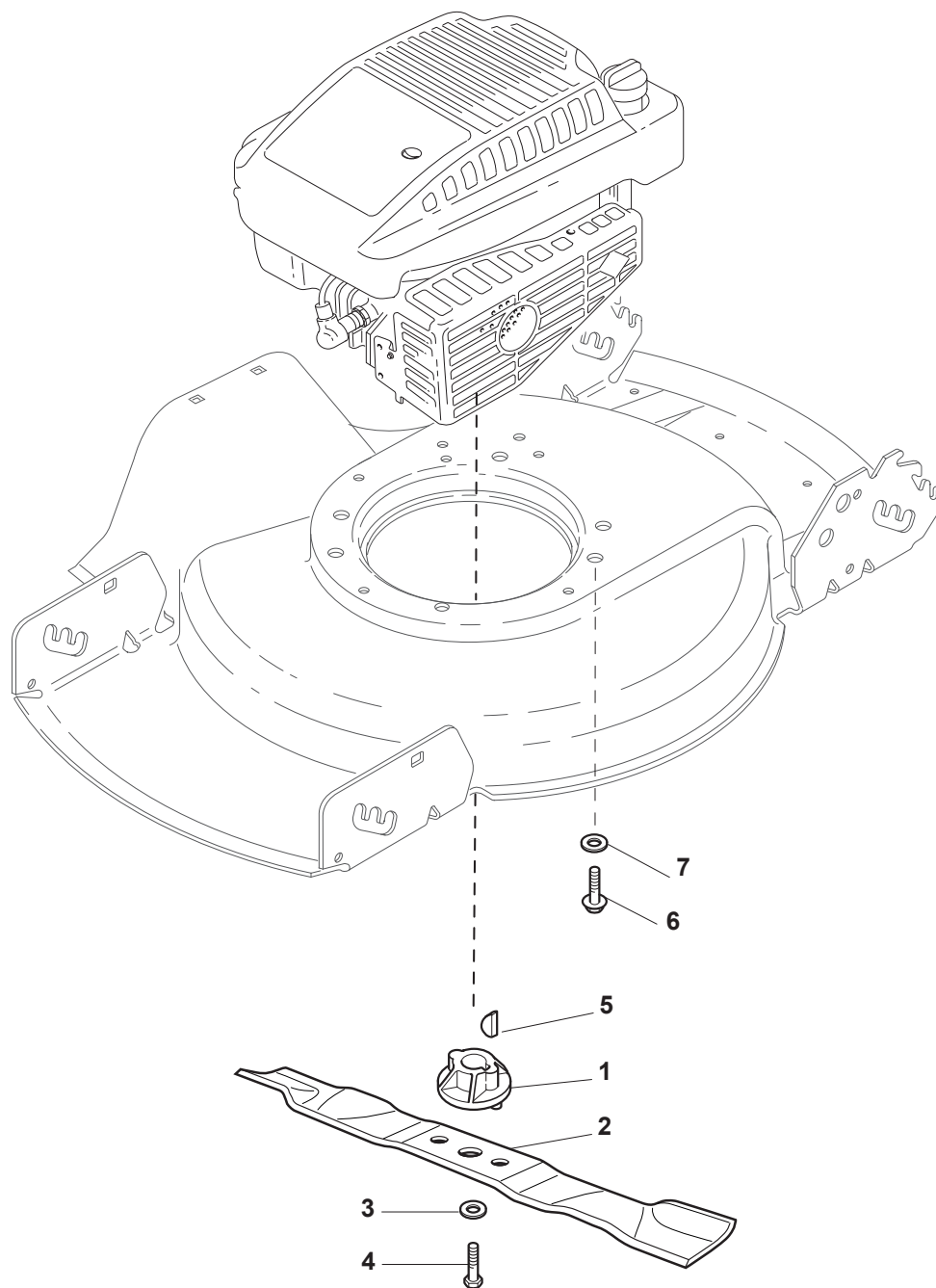
Deck				
POS	CODE	Q.TY	DESCRIPTION	NOTES
1	381004733/0	1	Deck Yellow	
6	322600159/0	1	Protection	
7	381008502/0	1	Outfit, Screws	
8	322041958/0	4	Isolation Compass	
9	112793701/0	4	Screw	
10	122671651/0	4	Washer	
11	322551577/0	2	Isolation Plate	
12	112155000/0	4	Nut	
13	381007548/0	1	Handle, Lower Part	Yellow
14	112361005/0	2	Nut	
15	322399810/0	2	Knob	
16	112521350/0	2	Washer	
17	122430311/0	1	Guide Spring	
18	112820655/0	2	Screw	
19	322545137/0	2	Plate For Handle Fastening	
38	322192001/0	1	Anchor Clamp	
39	112728691/0	1	Screw	



Handle, Upper Part				
POS	CODE	Q.TY	DESCRIPTION	NOTES
1	381006618/1	1	Handle, Upper Part	
2	381003330/0	1	Lever, Engine Brake	
3	181000686/0	1	Cable, Thread Engine Brake	
4	322551640/0	1	Plate	
5	112727783/0	1	Screw	
6	112154510/0	1	Nut	



Wheels and Hub Cover				
POS	CODE	Q.TY	DESCRIPTION	NOTES
1	322033395/0	2	Axle	
2	122450442/0	2	R Spring	
3	122450441/0	2	L Spring	
4	122671654/0	4	Washer	
5	122671659/0	4	Washer	
6	322600095/0	4	Protection, Wheel	
7	122122200/0	8	Bearing	
8	322686091/1	4	Wheel Ø 165	
10	122020050/0	4	Snap Ring	
11	322110491/0	4	Hub Cap Grey	Grey
12	122430215/0	4	Spring	





Blade and Hub				
POS	CODE	Q.TY	DESCRIPTION	NOTES
1	122465617/0	1	Hub	
2	181004124/1	1	Blade Standard	
3	112530140/0	1	Washer	
4	112735694/0	1	Screw	
5	112139100/0	1	Feather, Crankshaft Ø 22.2	
6	112735108/1	3	Screw	
7	112521355/0	3	Washer	