



[www.stiga.com](http://www.stiga.com)

# Illustrated Parts List

for model:

**COMBI 48 ES**

- Use GLOBAL GARDEN PRODUCT genuine spare parts specified in the parts list for repair and/or replacement.
- Then contents described in the parts list may change due to improvement.
- The drawings of the spare part are only indicative and might not represent the part in question exactly.
- The indications "right" - "left" - "front" - "rear" refer to the position of the operator when using the machine.
- When placing orders of parts for repair and/or replacement, make sure that the illustrated parts list is the one applying to the machine's year of manufacture, as shown on the identification plate attached to the machine.

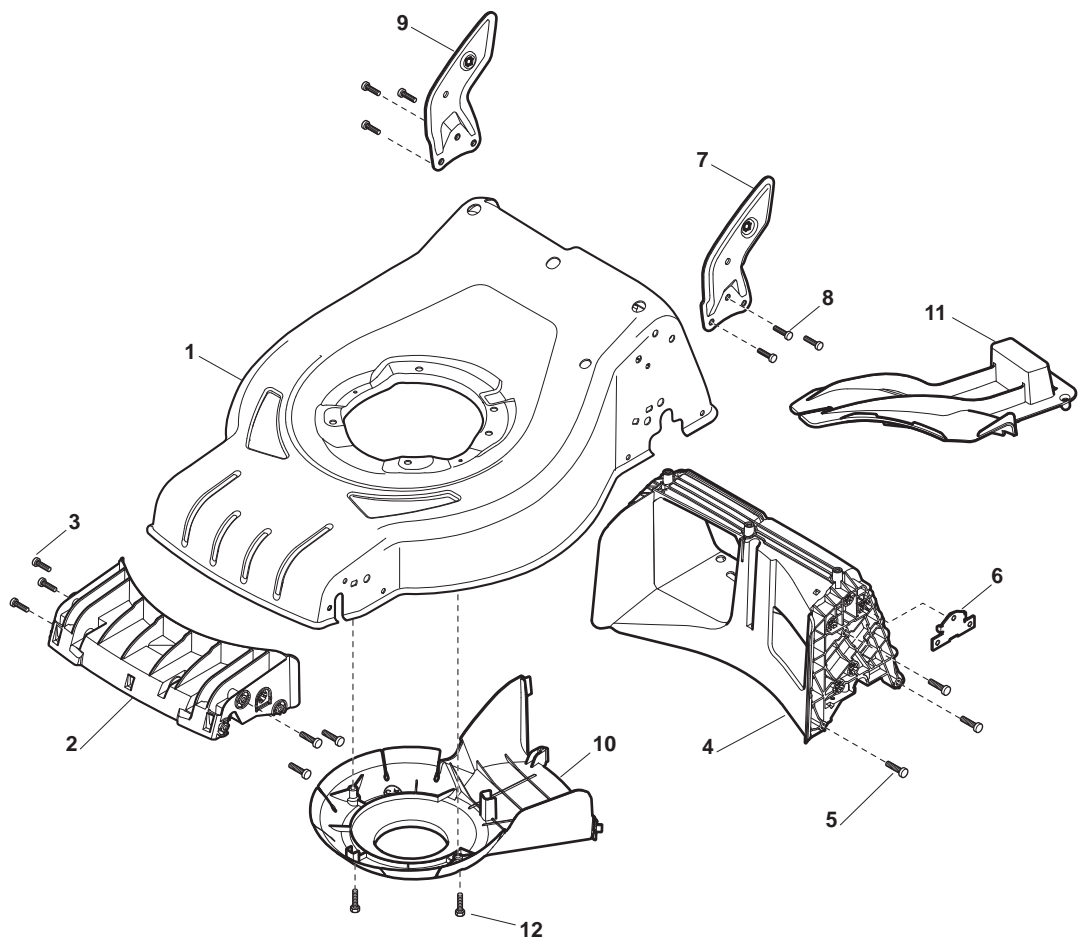
© Copyright 2014 Global Garden Products

All content is subject to copyright by Global Garden Products and may not be reproduced in whole or in part by any means, electronic or otherwise, without prior written approval.

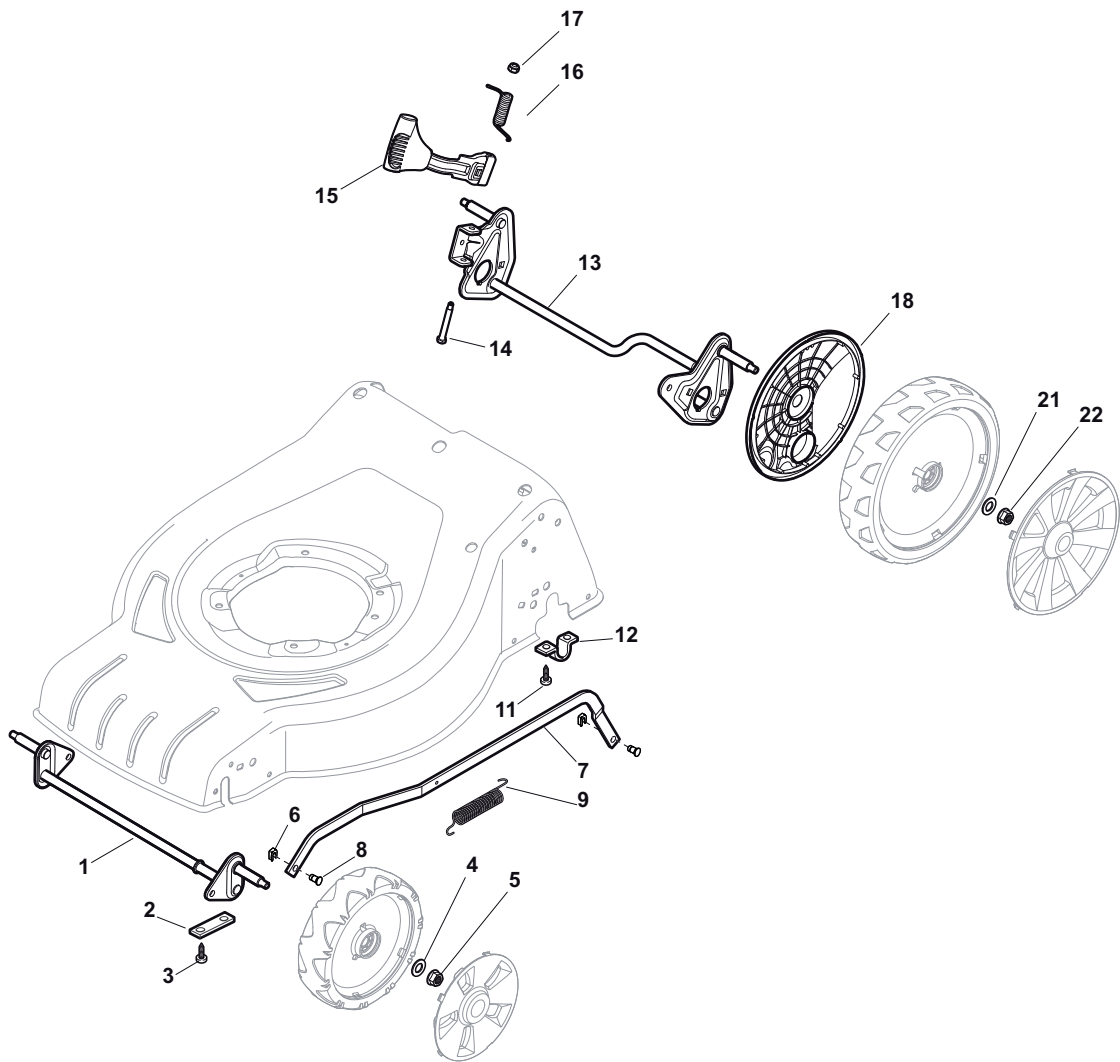
THIS INFORMATION IS NOT INTENDED FOR SALE OR RESALE, AND THIS NOTICE MUST REMAIN ON ALL COPIES.

[www.ggp-group.com](http://www.ggp-group.com)

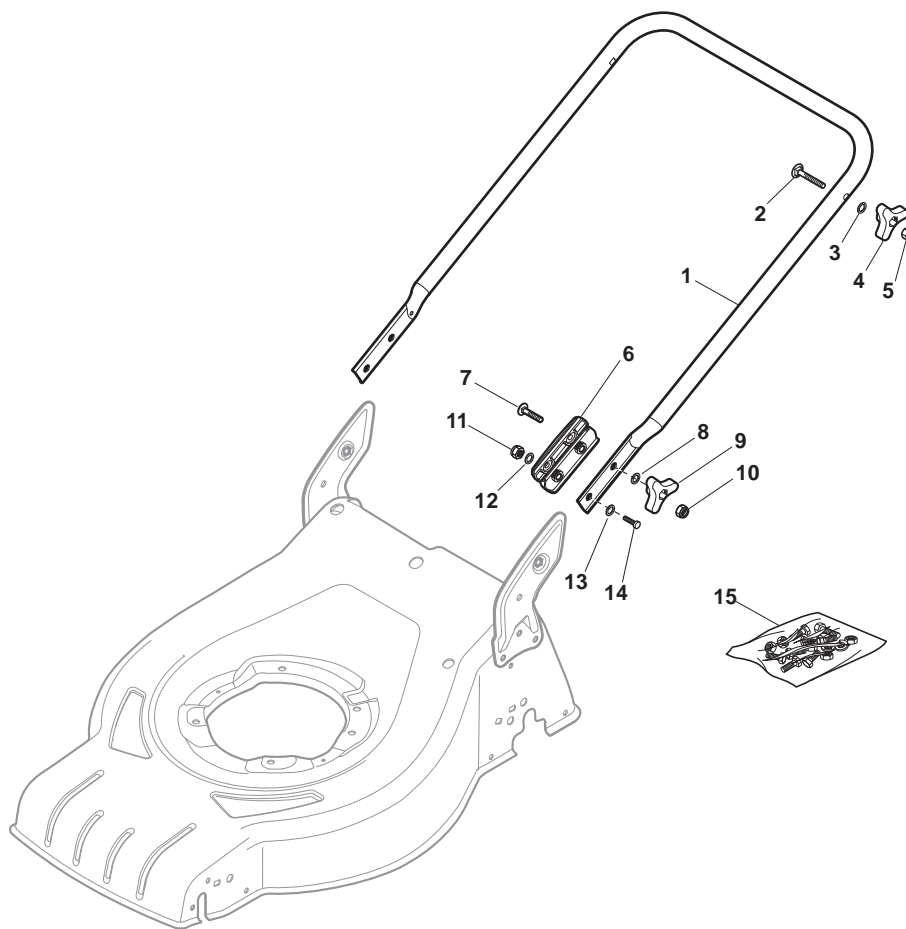




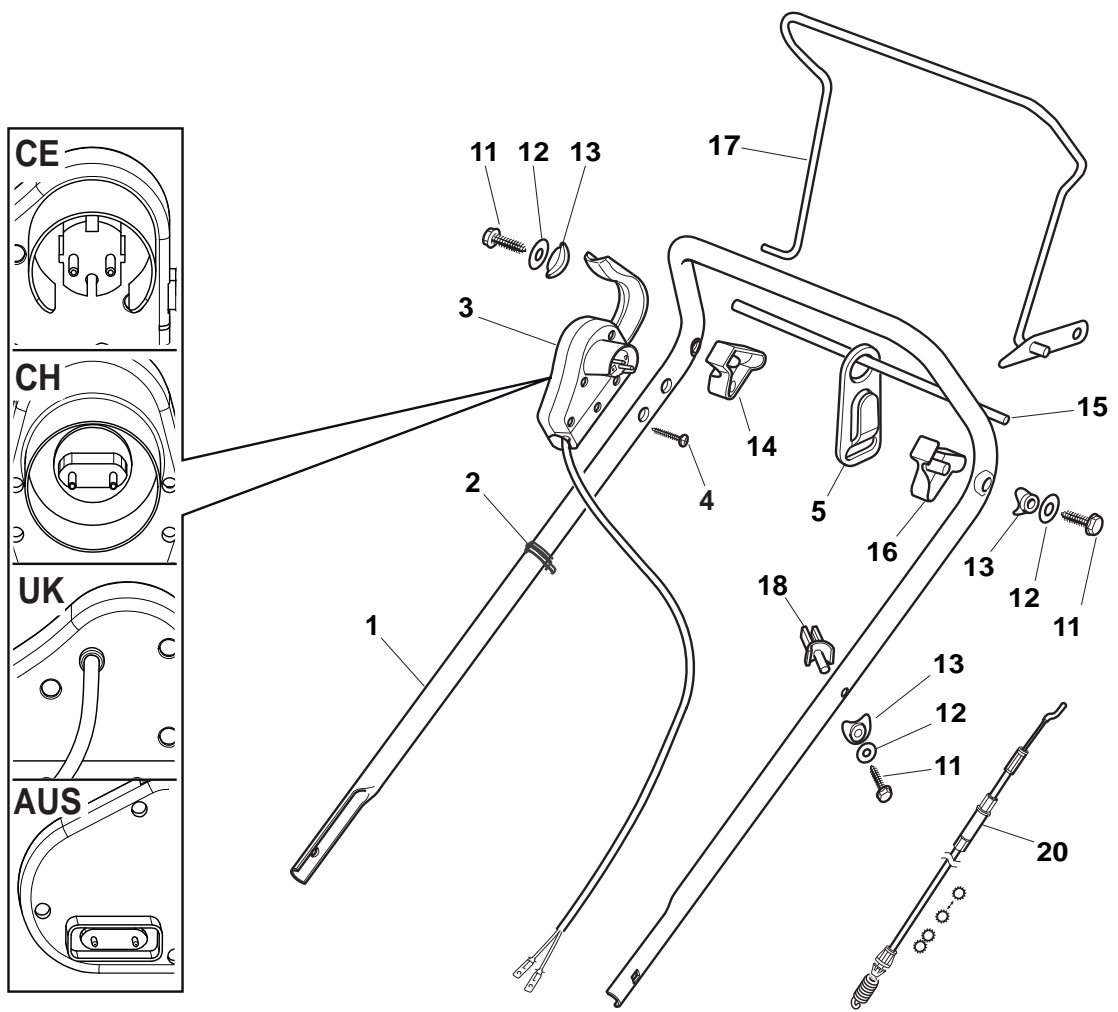
Deck				
POS	CODE	Q.TY	DESCRIPTION	NOTES
1	381004729/0	1	Deck Grey	
2	322108301/1	1	Front Conveyor Assy	
3	112728699/0	6	Screw	
4	322108302/0	1	Rear Conveyor Assy	
5	112728699/0	6	Screw	
6	322545213/0	2	Plate	
7	381005139/0	1	Bracket, L	
8	112727801/0	6	Screw	
9	381005137/0	1	Bracket, R	
10	322060242/0	1	Protection, Belt	
11	322140239/0	1	Deflector	
12	112728530/0	2	Screw	



Deck And Height Adjusting				
POS	CODE	Q.TY	DESCRIPTION	NOTES
1	381302821/0	1	Axle, Front Wheels	
2	322545142/0	2	Plate	
3	112728698/0	4	Screw	
4	112521350/0	2	Washer	
5	112155000/0	2	Nut	
6	112436051/0	2	Plate	
7	322869673/0	1	Rod, Height Adjustment	
8	122519820/0	2	Pin	
9	122446193/0	1	Spring	
11	112728698/0	4	Screw	
12	322545152/0	2	Plate	
13	381302817/0	1	Axle, Rear Wheels	
14	122534131/0	1	Pin	
15	381003357/0	1	Lever, Height Adjustment	
16	122446192/0	1	Spring	
17	112154510/0	1	Nut	
18	322600205/0	2	Wheel Protection	
21	112521350/0	2	Washer	
22	112155000/0	2	Nut	

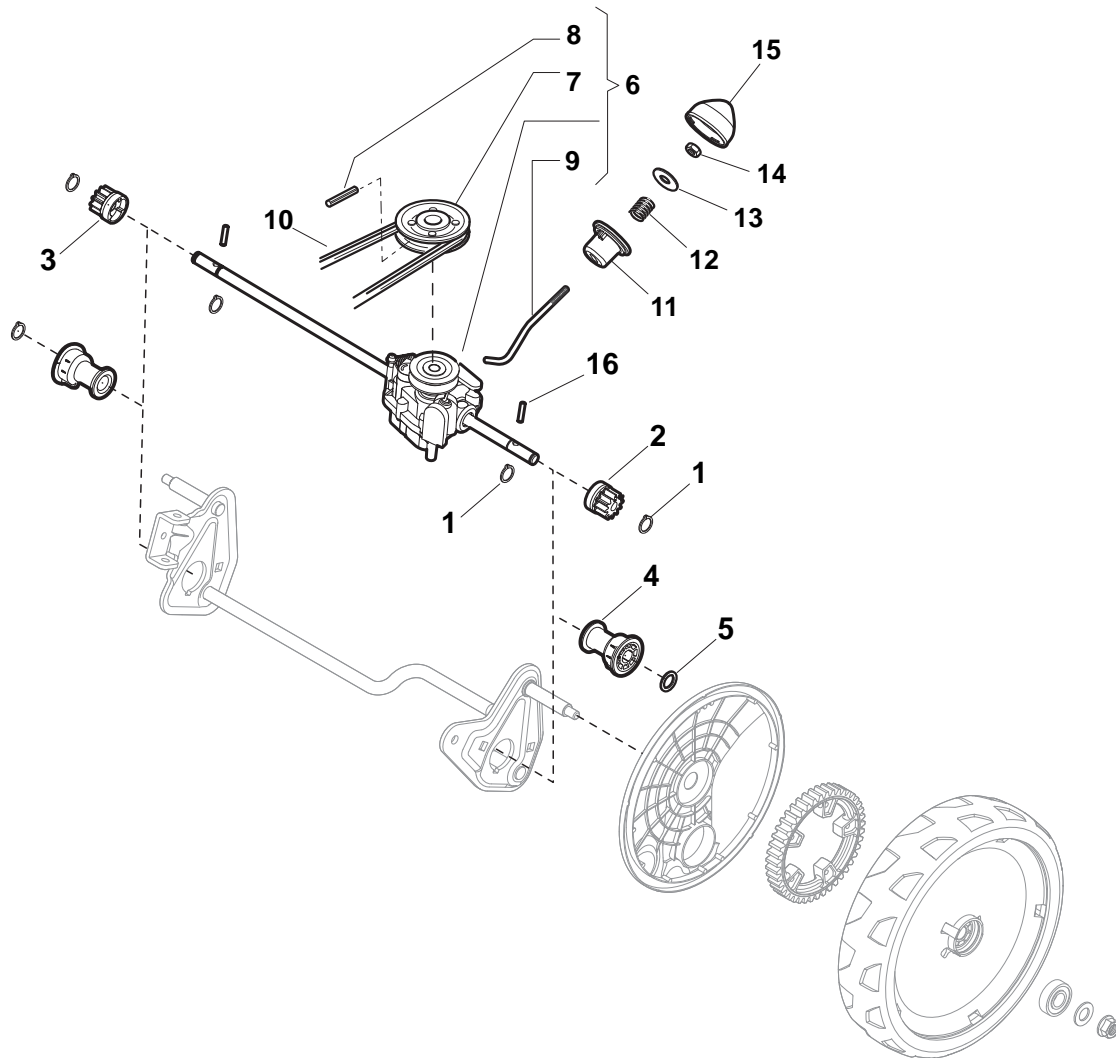


Handle, Lower Part				
POS	CODE	Q.TY	DESCRIPTION	NOTES
1	381006735/0	1	Handle, Lower Part	
2	112819110/0	2	Screw	
3	112523060/0	2	Washer	
4	122399900/0	2	Knob	Black
5	112293200/0	2	Nut	
6	322551582/0	2	Isolation Plate	
7	112819110/0	2	Screw	
8	112523060/0	2	Washer	
9	122399900/0	2	Knob	Black
10	112293200/0	2	Nut	
11	112155000/0	2	Nut	
12	112521350/0	2	Washer	
13	112521350/0	2	Washer	
14	112793701/0	2	Screw	
15	381008698/0	1	Outfit, Screws	Black

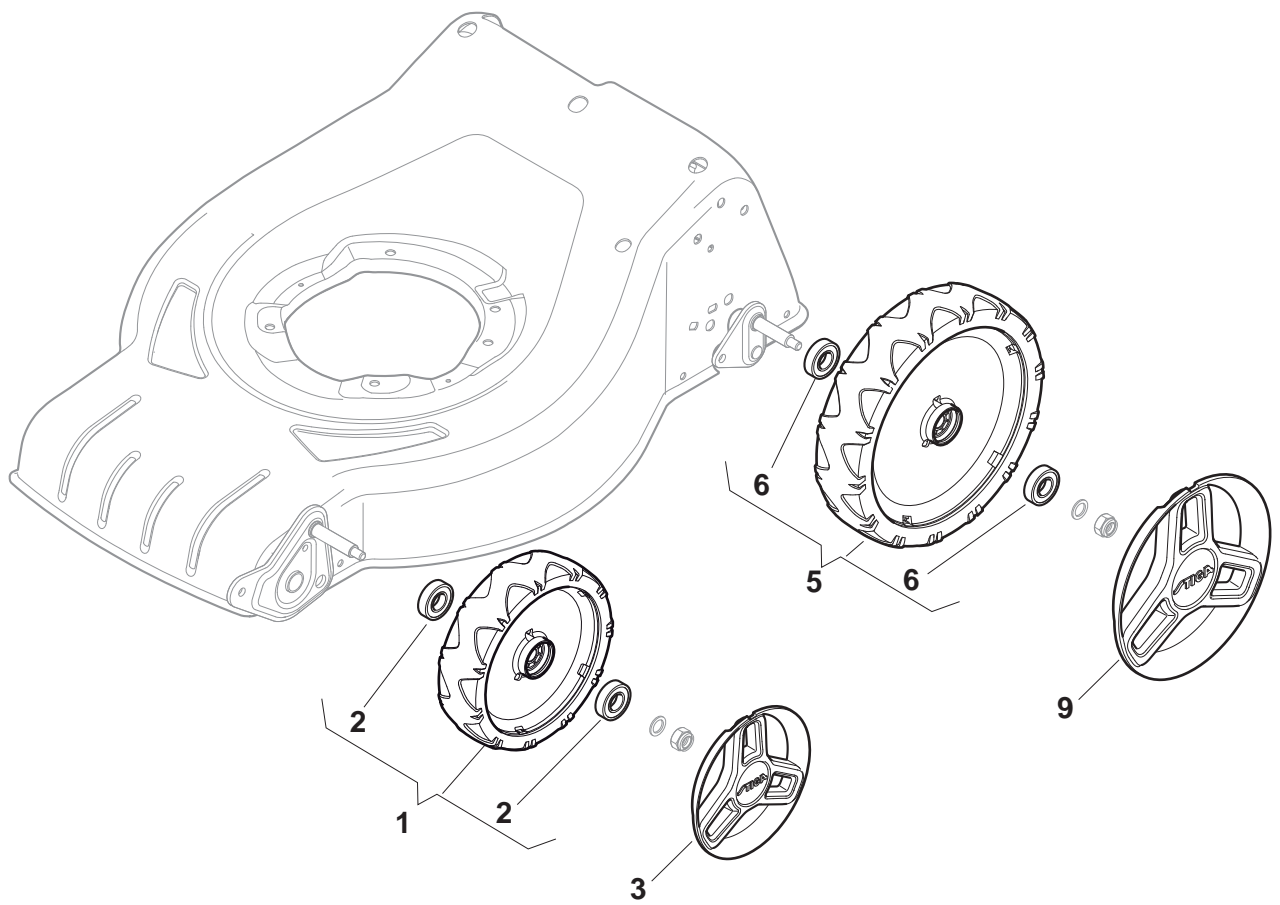




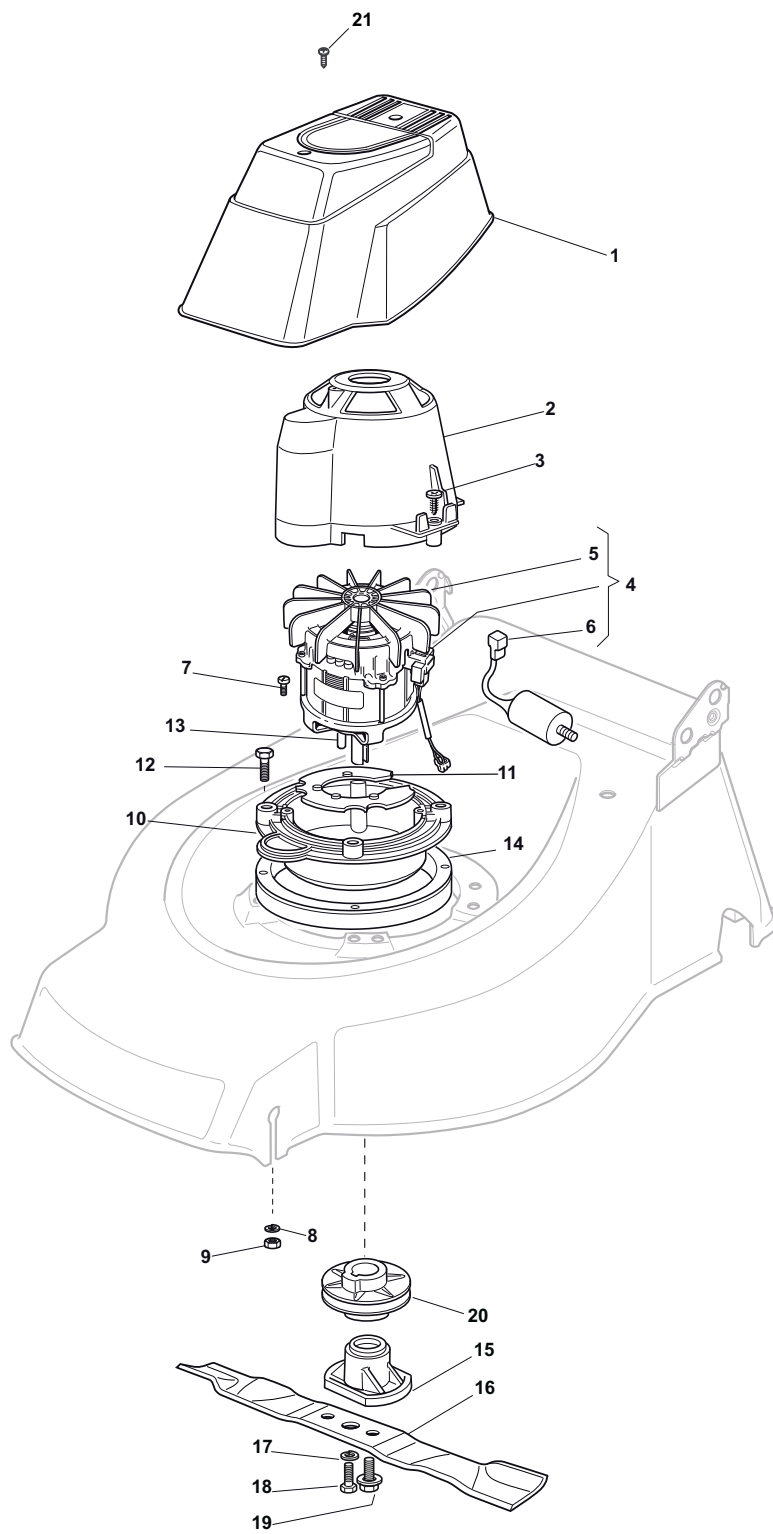
Handle, Upper Part				
POS	CODE	Q.TY	DESCRIPTION	NOTES
1	381006603/0	1	Handle, Upper Part	
2	122192000/1	2	Clamp	
3	381600500/3	1	Dead Hand Switch	(CE plug)
4	112728701/0	2	Screw	
5	322195101/4	1	Fairlead	
11	112735103/0	3	Screw	
12	112523040/0	3	Washer	
13	122680006/1	3	Washer	
14	322806518/2	1	Support, R	
15	122020320/0	1	Fairlead Bearing	
16	322806519/2	1	Support, L	
17	181001245/1	1	Driving Lever	
18	122806520/0	1	Support, Adjuster	
20	381030012/0	1	Cable, Rear Drive	



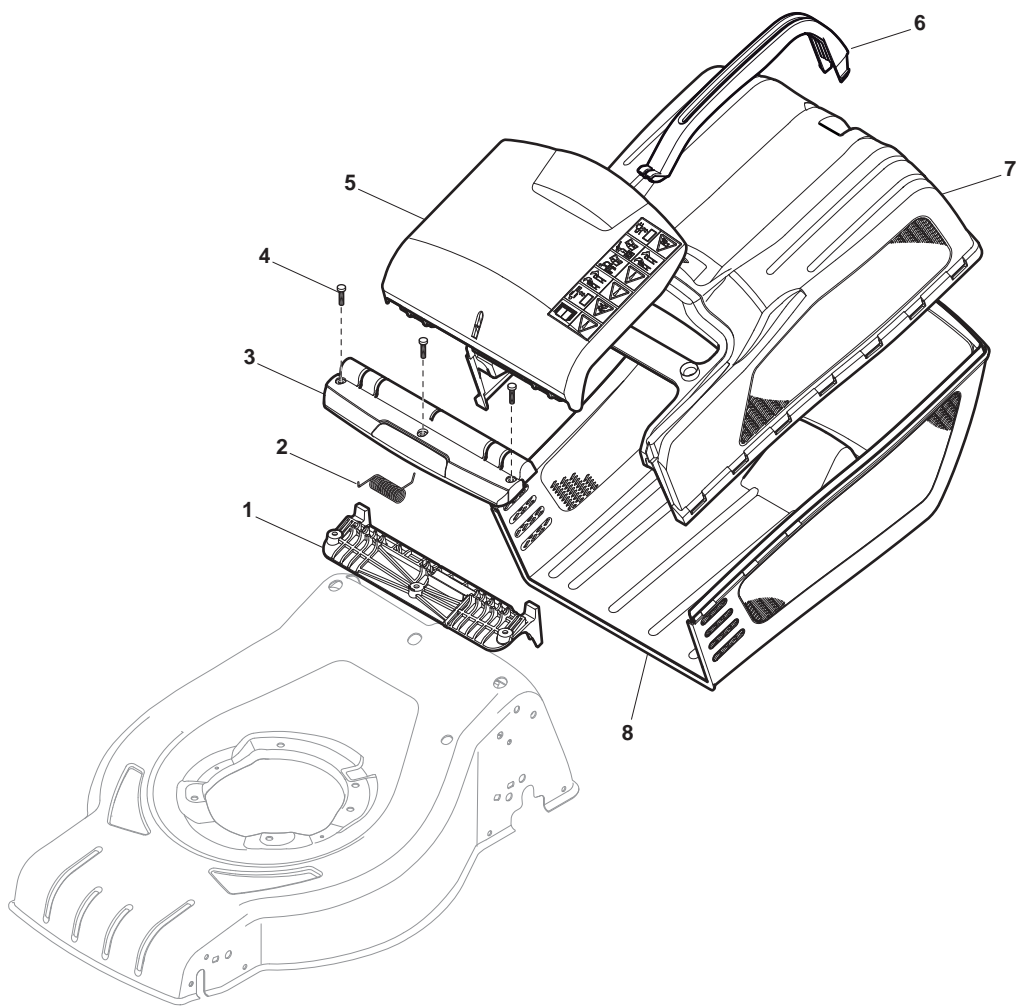
Rear Drive				
POS	CODE	Q.TY	DESCRIPTION	NOTES
1	112608600/0	4	Seeger	
2	122570120/1	1	Pinion L	
3	122570110/1	1	Pinion R	
4	322042066/0	2	Bush	
5	112521371/0	2	Washer	
6	181003092/0	1	Gear Box	
7	122601904/0	1	Pulley	
8	112645705/0	1	Pin	
9	122033283/0	1	Adjustment Rod	
10	135063800/0	1	Belt	
11	122041957/1	1	Bush	
12	122450063/0	1	Spring	
13	322680009/0	1	Washer	
14	112154510/0	1	Nut	
15	122110230/0	1	Cap	
16	122753000/0	2	Pin	



Wheels and Hub Cover				
POS	CODE	Q.TY	DESCRIPTION	NOTES
1	381007450/1	2	Wheel Ø 180	
2	119216035/0	4	Bearing	
3	322110744/0	2	Hub Cap Grey	
5	381007456/1	2	Wheel Ø 240	
6	119216035/0	4	Bearing	
9	322110745/0	2	Hub Cap Grey	



Electric Motor				
POS	CODE	Q.TY	DESCRIPTION	NOTES
1	322055139/0	1	Cover, Yellow	
2	322785210/1	1	Support, Cover	
3	112728710/0	4	Screw	
4	118563641/1	1	Motor Atb	1800W
5	118740054/0	1	Fan Motor Atb	
6	118222039/0	1	Condenser 25 µf	
7	112735410/0	4	Screw	
8	112583500/0	4	Grower	
9	112293200/0	4	Nut	
10	322207211/4	1	Flange	
11	322720360/2	1	Ventilation Screen	
12	112691800/0	4	Screw	
13	112139440/0	1	Feather	
14	322170960/1	1	Spacer	
15	322463186/3	1	Hub	
16	181004346/3	1	Blade Standard	
16	181004397/0	1	Blade Winged	
17	112583500/0	2	Grower	
18	112793101/0	2	Screw	
19	381004352/1	1	Screw	
20	322601911/1	1	Pulley	
21	112728680/0	2	Screw	





Grass-Catcher				
POS	CODE	Q.TY	DESCRIPTION	NOTES
1	322785331/0	1	Support	
2	122450464/0	1	Spring	
3	322109556/0	1	Cover, Yellow	
4	112728699/0	3	Screw	
5	322600214/1	1	Stone-Guard Yellow	
6	322393716/0	1	Handle, Grey	
7	322486387/0	1	Grassbox Upper Part, Stiga Grey	
8	322486388/0	1	Grassbox Lower Part, Stiga Grey	