



www.stiga.com

Illustrated Parts List

for model:

COMBI 40 AE Plus

- Use GLOBAL GARDEN PRODUCT genuine spare parts specified in the parts list for repair and/or replacement.
- Then contents described in the parts list may change due to improvement.
- The drawings of the spare part are only indicative and might not represent the part in question exactly.
- The indications "right" - "left" - "front" - "rear" refer to the position of the operator when using the machine.
- When placing orders of parts for repair and/or replacement, make sure that the illustrated parts list is the one applying to the machine's year of manufacture, as shown on the identification plate attached to the machine.

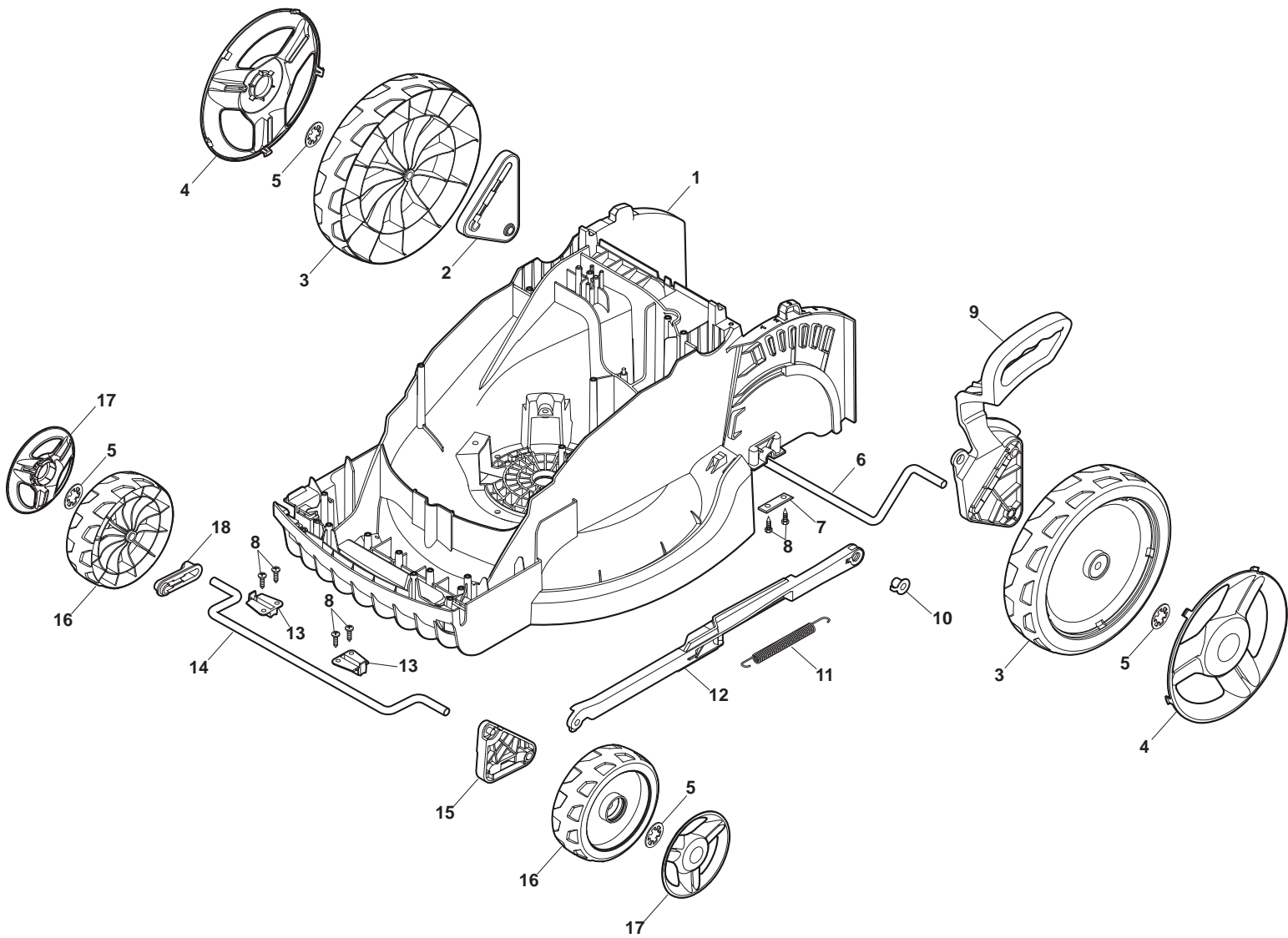
© Copyright 2014 Global Garden Products

All content is subject to copyright by Global Garden Products and may not be reproduced in whole or in part by any means, electronic or otherwise, without prior written approval.

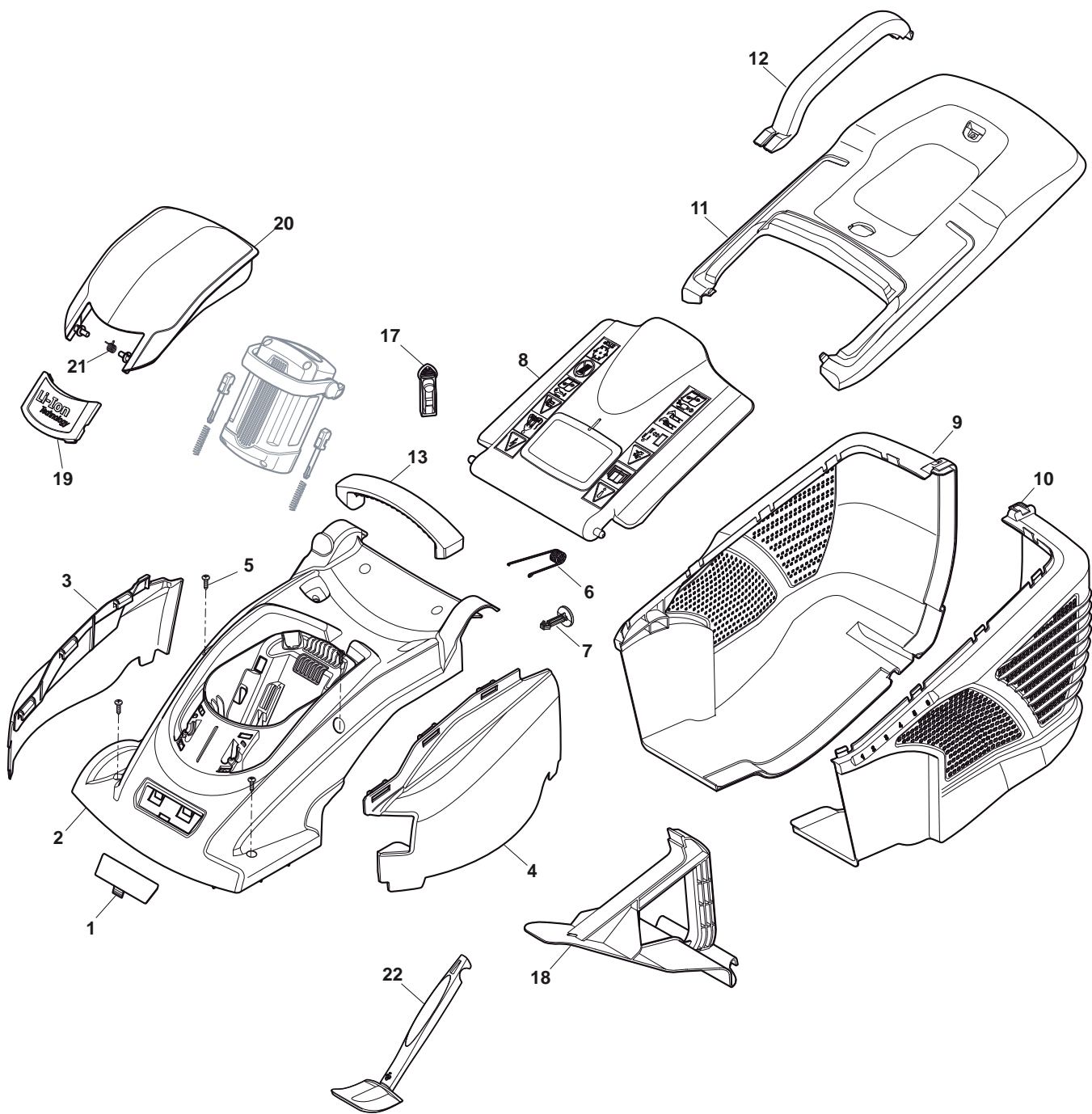
THIS INFORMATION IS NOT INTENDED FOR SALE OR RESALE, AND THIS NOTICE MUST REMAIN ON ALL COPIES.

www.ggp-group.com

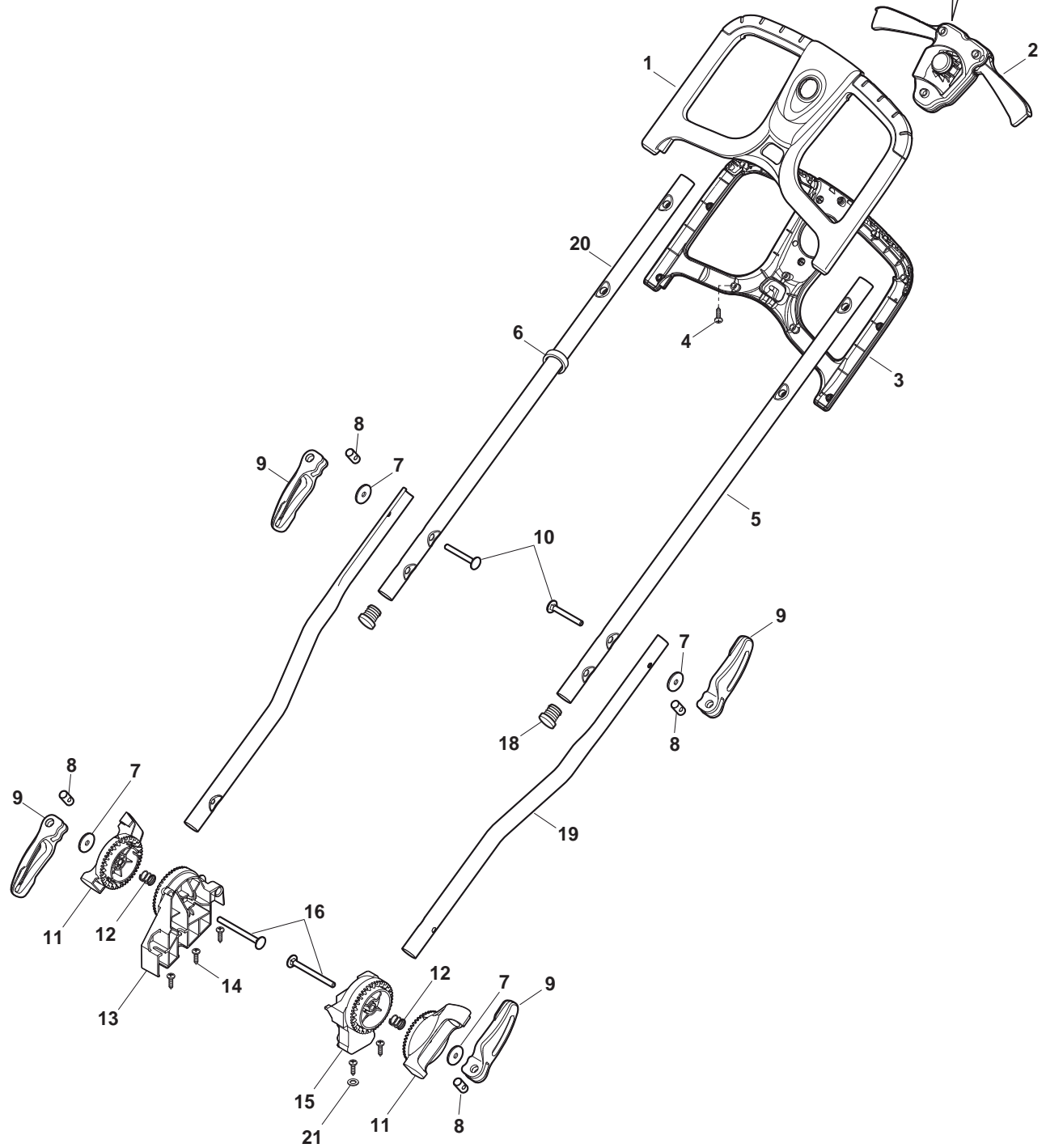
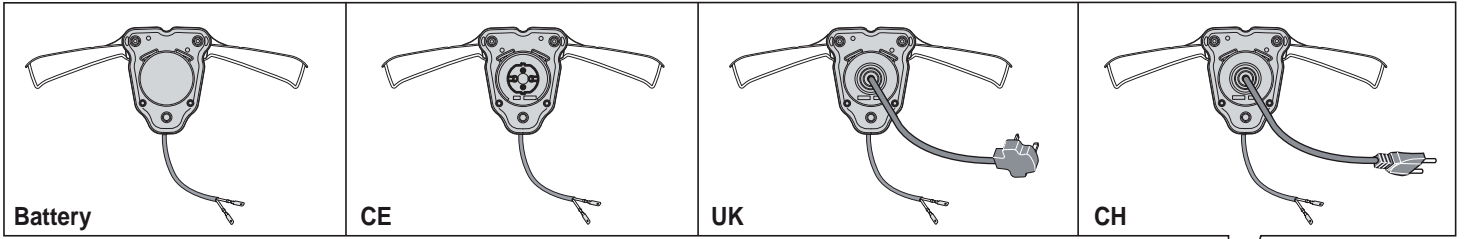




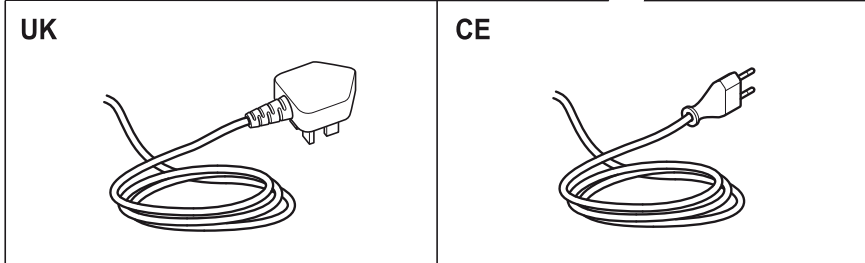
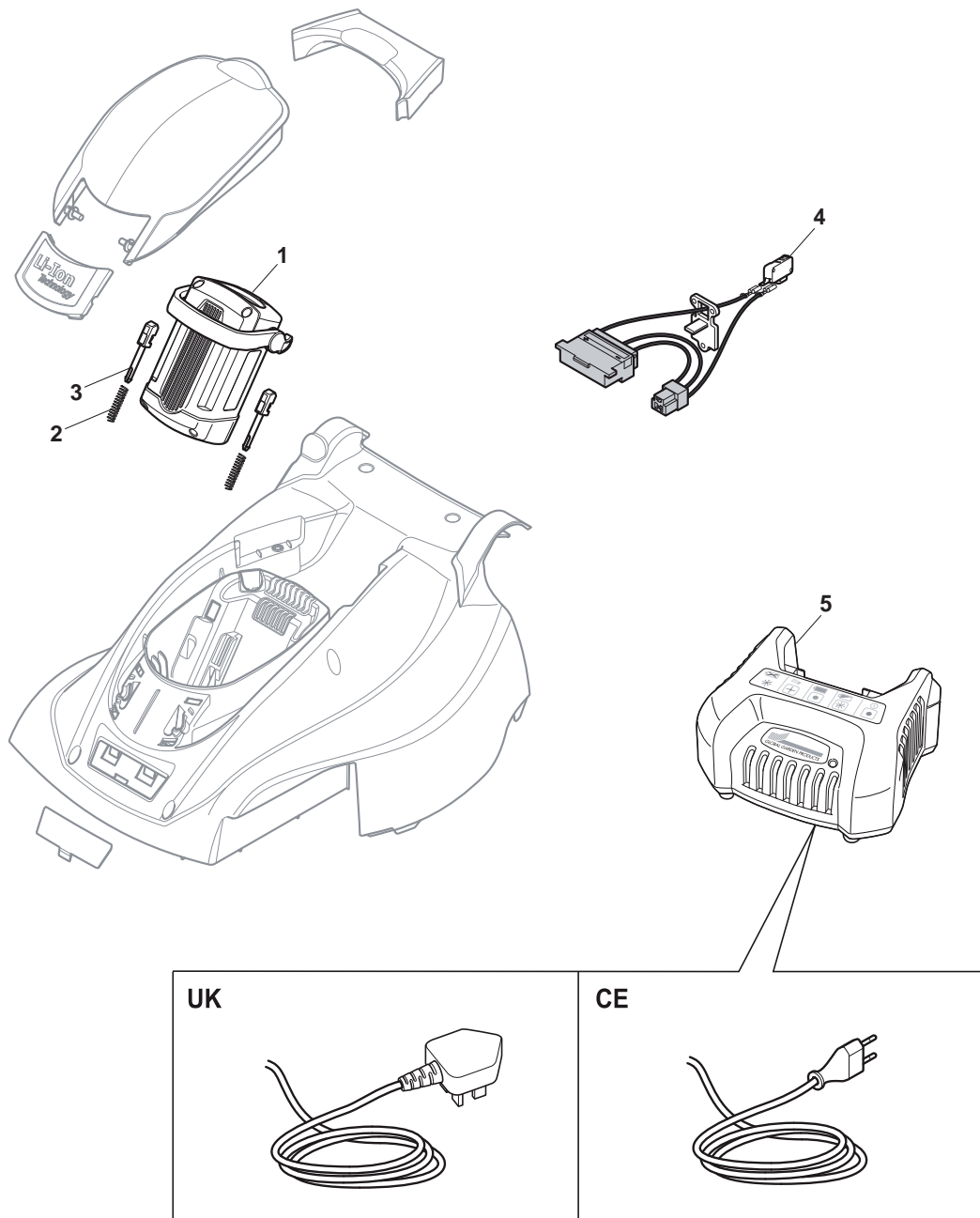
Deck And Height Adjusting				
POS	CODE	Q.TY	DESCRIPTION	NOTES
1	322066783/0	1	Deck STIGA Grey	
2	322785387/0	1	Support, Wheels	
3	322686105/0	2	Wheel Ø 250	
4	322110684/0	2	Hub Cap Grey	
5	112604903/0	4	Washer	
6	122033425/0	1	Axle, Rear Wheels	
7	322545142/0	2	Plate	
8	112728714/0	8	Screw	
9	322785414/1	1	Lever, Height Adjustment	Yellow
10	322524354/0	1	Pin	
11	122446195/0	1	Spring	
12	322869680/0	1	Rod, Height Adjustment	Grey
13	322785415/0	2	Plate	
14	122033424/0	1	Axle, Rear Wheels	
15	322785386/0	1	Support, Wheels	Grey
16	322686104/0	2	Wheel Ø 150	
17	322110683/0	2	Hub Cap Grey	
18	322785385/0	1	Support, Wheels	



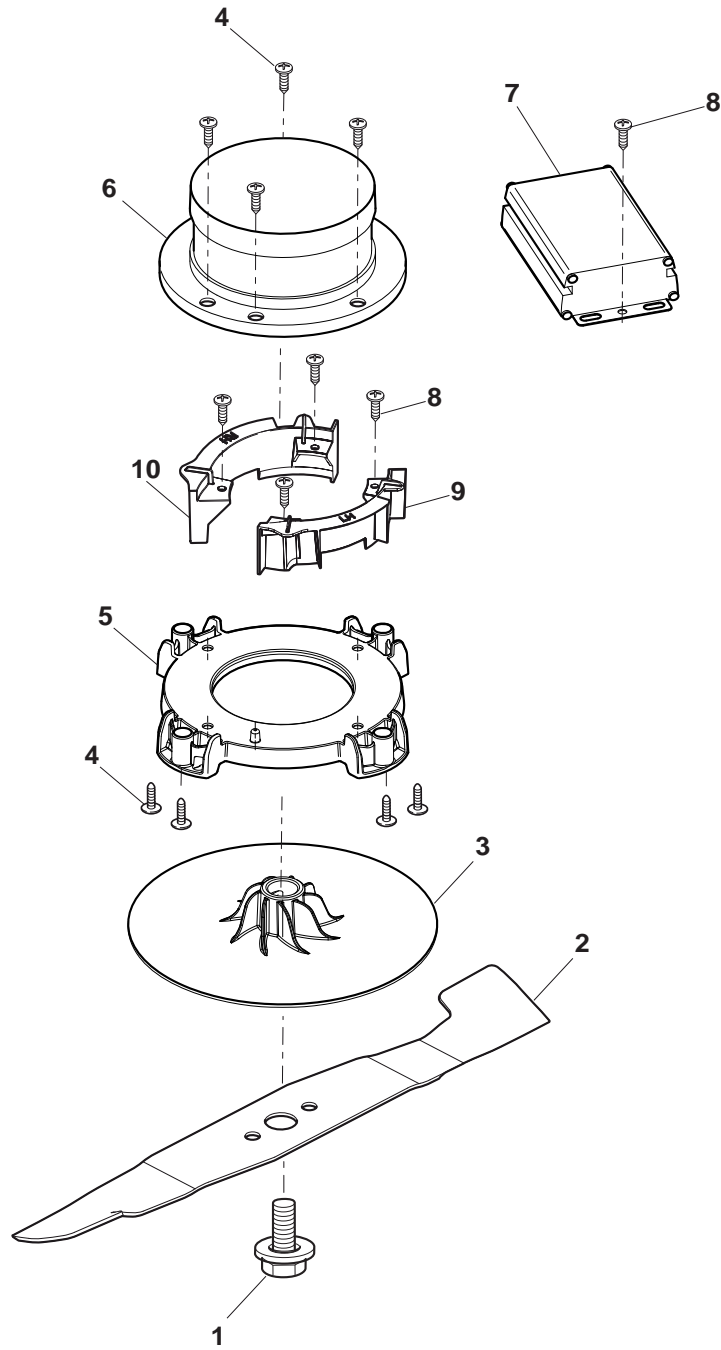
Deck				
POS	CODE	Q.TY	DESCRIPTION	NOTES
1	322055168/0	1	Frontal Plate	
2	322055179/0	1	Deck Yellow	
3	322109865/0	1	Side Cover, Black	
4	322109866/0	1	Cover Height Adjusting, Black	
5	112728714/0	10	Screw	
6	122450470/0	1	Spring	
7	322524356/0	1	Pin	
8	322600288/0	1	Stone-Guard, Grey	
9	322486324/0	1	Grass-Box, R Lower Black	
10	322486325/0	1	Grass-Box, L Lower Black	
11	322486323/0	1	Grass-Box, Upper	
12	322393666/0	1	Handle, Black	
13	322393660/0	1	Handle	
17	322076570/1	1	Battery Safety Key	
18	322140242/0	1	Mulching Plug	
19	322545222/0	1	Plate	
20	322055165/0	1	Cover	
21	122450473/0	1	Spring	
22	113300215/0	1	Scraper	



Handle, Upper Part				
POS	CODE	Q.TY	DESCRIPTION	NOTES
1	322291034/1	1	Upper Half Handgrip Switch	
2	381600524/0	1	Dead Hand Switch	Battery plug - Yellow
3	322291035/0	1	Lower Half Handgrip Switch	
4	112728713/0	11	Screw	
5	381007515/0	1	Handle,Left Lower Part	
6	122192000/1	1	Clamp	
7	112523050/0	4	Washer	
8	122524352/0	4	Pin	
9	322319519/0	4	Fixing Lever Handle	Yellow
10	122943016/0	2	Screw	
11	322246100/0	2	Handle Joint	
12	122430210/0	2	Spring	
13	322745052/0	2	Right Joint	
14	112728714/0	5	Screw	
15	322745051/0	1	Left Joint	
16	122943017/0	2	Screw	
18	118566112/0	2	Cap	
19	381007513/0	2	Handle, Lower Part	
20	381007514/0	1	Handle, Right Lower Part	
21	112521320/0	1	Washer	



Battery				
POS	CODE	Q.TY	DESCRIPTION	NOTES
1	381600529/1	1	Battery	
2	122450472/0	1	Spring	
3	322524355/0	1	Pin	
4	118210025/0	1	Safety Key Set	
5	118204132/1	1	Battery Charger	CE plug
5	118204133/1	1	Battery Charger	UK plug



Blade				
POS	CODE	Q.TY	DESCRIPTION	NOTES
1	381004352/1	1	Screw	
2	181004156/0	1	Blade	
3	322465644/1	1	Hub	
4	112728699/0	8	Screw	
5	322207227/0	1	Fairlead	
6	118563513/0	1	Engine Battey	
7	118206001/1	1	Controller	
8	112728714/0	1	Screw	
9	322393686/0	1	Flangia Motore Batteria Sx	
10	322393685/0	1	Flangia Motore Batteria Dx	