

Genuine Spare Parts

www.stiga.com

MULTICLIP PRO 50 SVAN

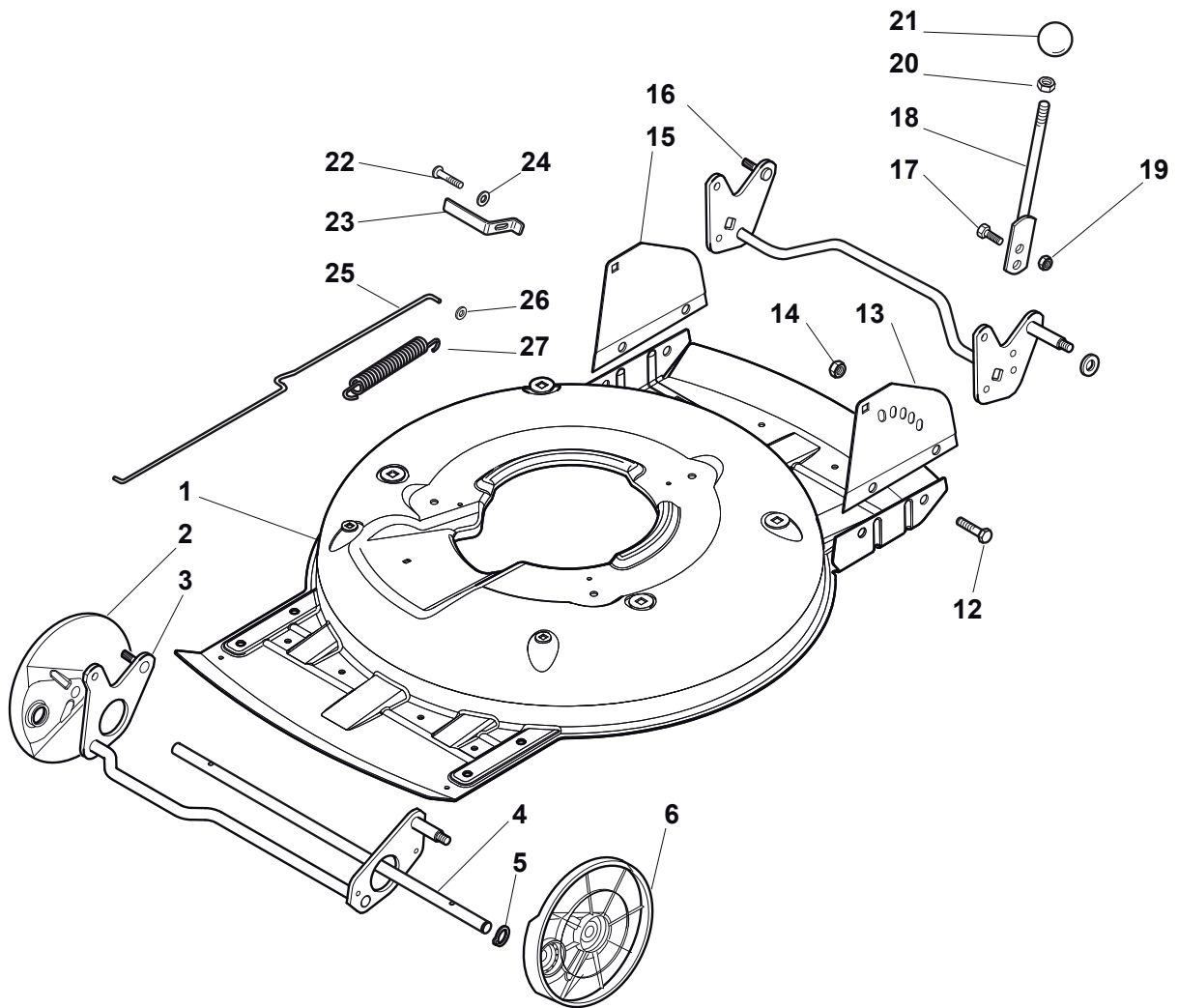
- Use GLOBAL GARDEN PRODUCT Genuine Spare Parts specified in the parts list for repair and/or replacement.
- The contents described in the parts list may change due to improvement.
- The drawings of the spare parts are only indicative and might not represent the part in question exactly.
- The indications "right" - "left" - "front" - "rear" refer to the position of the operator when using the machine.
- When placing orders of parts for repair and/or replacement, make sure that the illustrated parts list is the one applying to the machine's year of manufacture, as shown on the identification plate attached to the machine.

© Copyright 2013 Global Garden Products

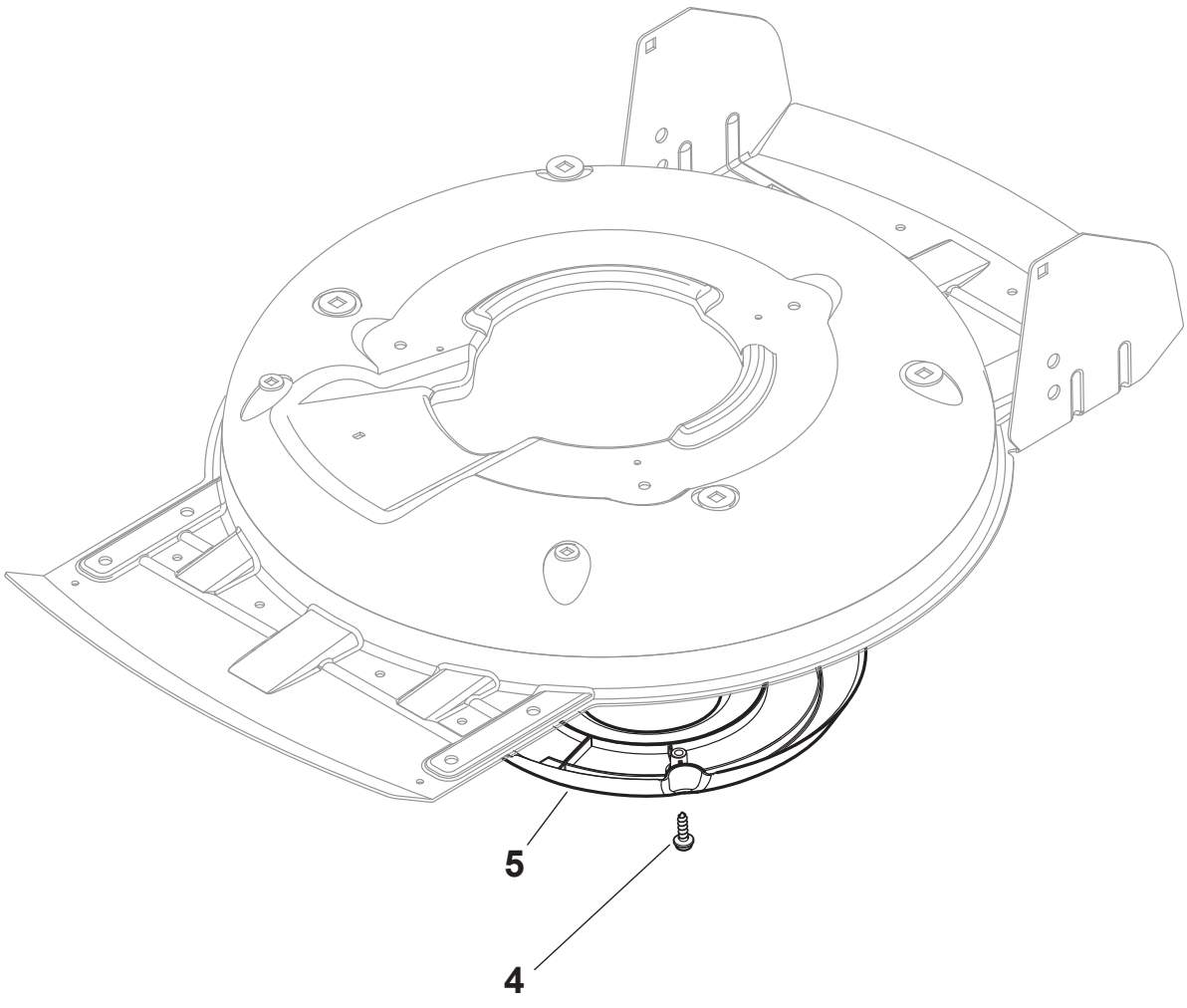
All content is subject to copyright by Global Garden Products and may not be reproduced in whole or in part by any means, electronic or otherwise, without prior written approval.

THIS INFORMATION IS NOT INTENDED FOR SALE OR RESALE, AND THIS NOTICE MUST REMAIN ON ALL COPIES.

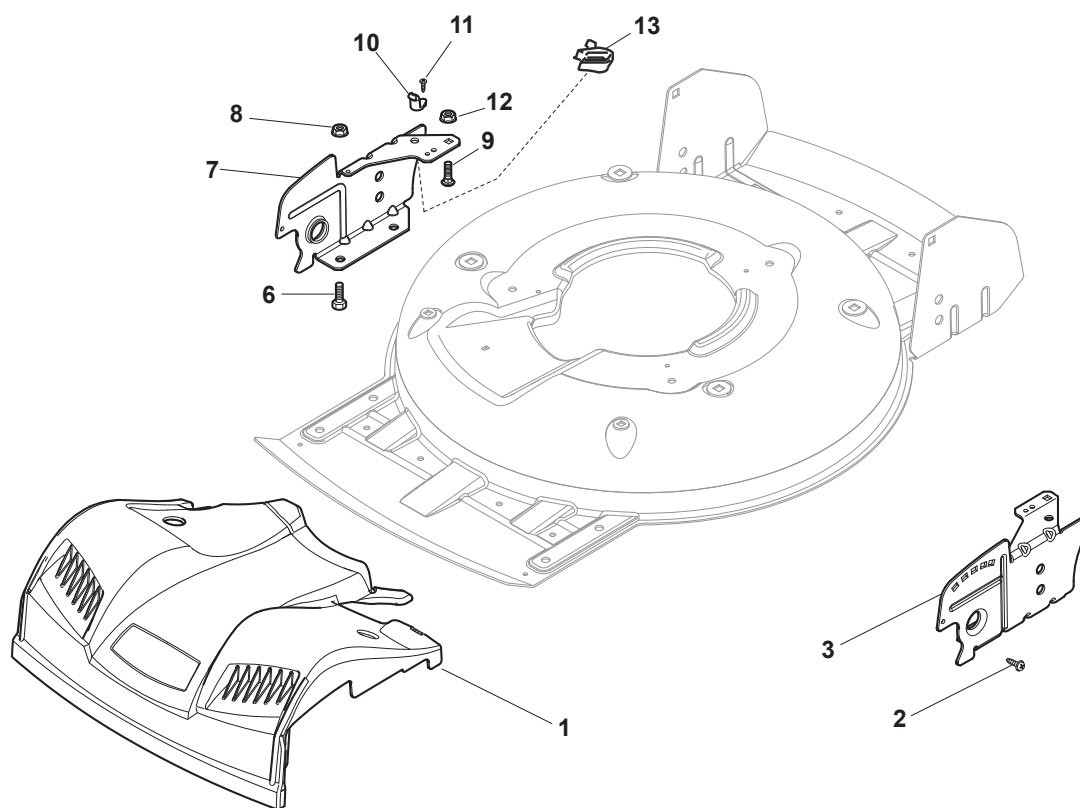




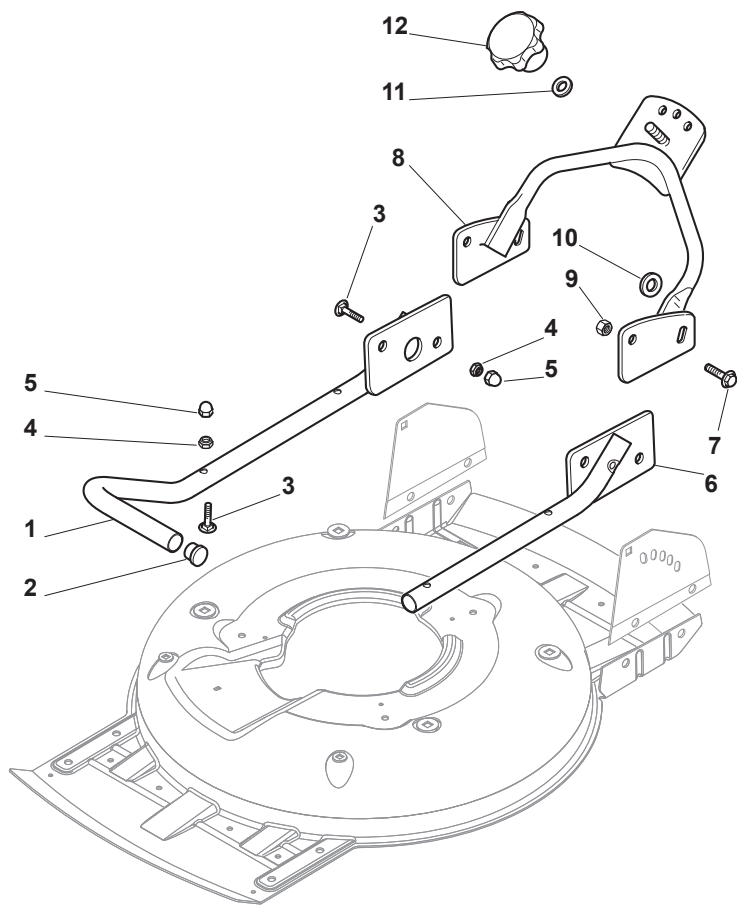
| POSITION | PART No. | Q.Ty | DESCRIPTION | NOTES |
|----------|-------------|------|--------------------------------|-------|
| 1 | 381002909/1 | 1 | Deck Grey | |
| 2 | 122600093/0 | 1 | Protection, L Wheel | |
| 3 | 381302863/0 | 1 | Axle, Front Wheels | |
| 4 | 322033397/0 | 1 | Axle, Front Wheels | |
| 5 | 122020050/0 | 2 | Snap Ring | |
| 6 | 122600092/0 | 1 | Protection, R Wheel | |
| 12 | 112791011/0 | 4 | Screw | |
| 13 | 381545105/0 | 1 | Left Plate | |
| 14 | 112154510/0 | 4 | Nut | |
| 15 | 381545104/0 | 1 | Right Plate | |
| 16 | 381302861/1 | 1 | Axle, Rear Wheels | |
| 17 | 112789000/0 | 2 | Screw | |
| 18 | 381003323/0 | 1 | Lever, Height Adjustment | |
| 19 | 112154330/0 | 2 | Nut | |
| 20 | 112293200/0 | 1 | Nut | |
| 21 | 322399812/0 | 1 | Knob | |
| 22 | 112735661/0 | 2 | Screw | |
| 23 | 322551529/0 | 2 | Plate | |
| 24 | 112521330/0 | 2 | Washer | |
| 25 | 122033329/0 | 1 | Rod, Height Adjustment Control | |
| 26 | 112604899/0 | 2 | Crown Fastener | |
| 27 | 122446184/0 | 1 | Spring | |



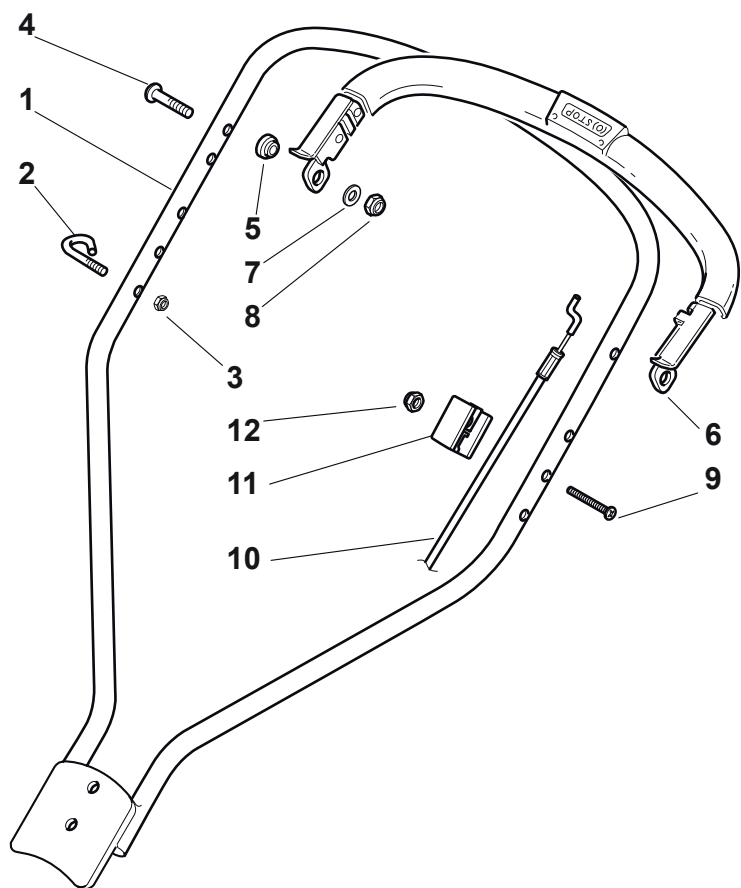
| POSITION | PART No. | Q.Ty | DESCRIPTION | NOTES |
|----------|-------------|------|-------------|-------|
| 4 | 112728530/0 | 3 | Screw | |
| 5 | 322060220/0 | 1 | Protection | |



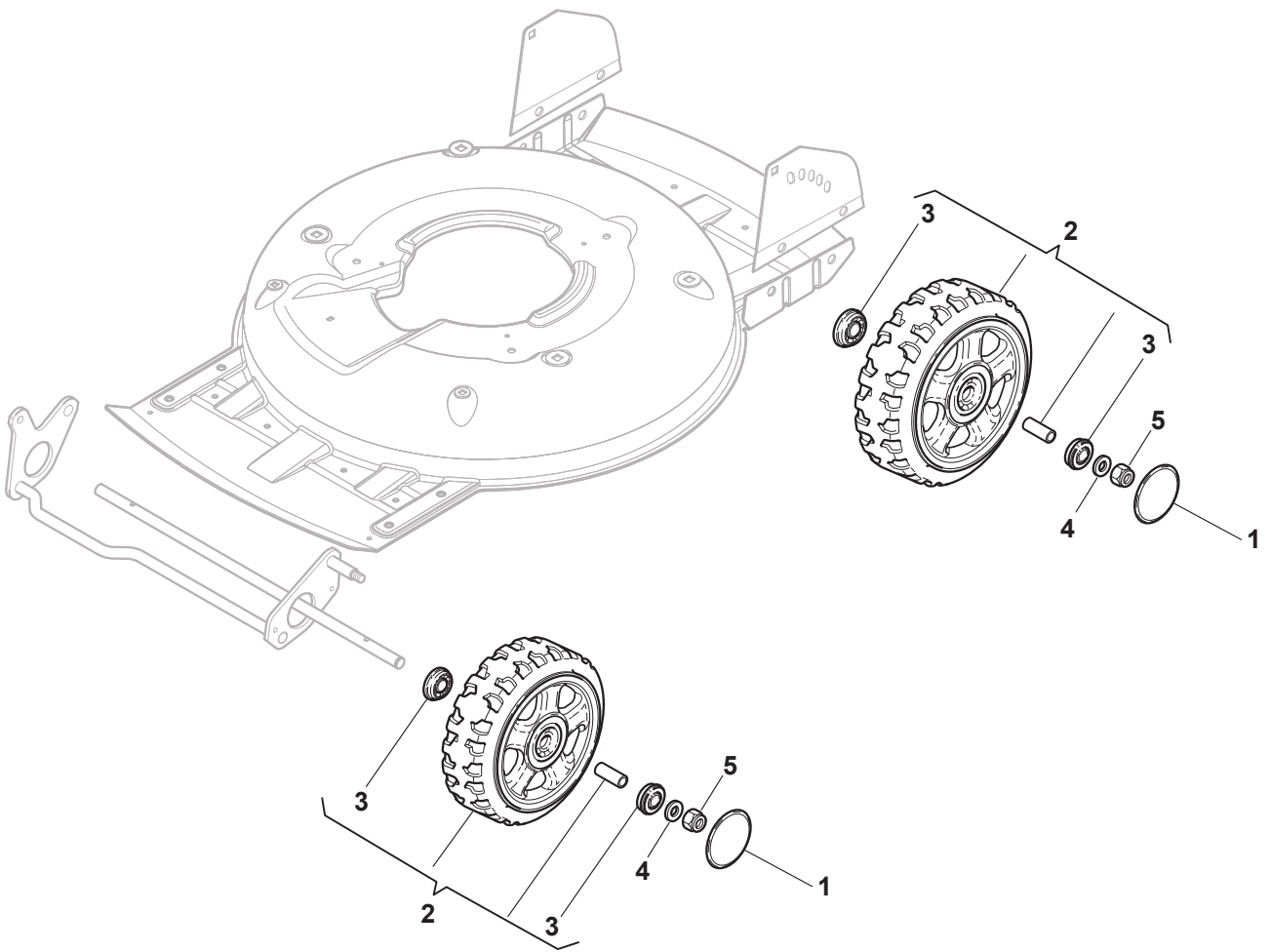
| POSITION | PART No. | Q.Ty | DESCRIPTION | NOTES |
|----------|-------------|------|--------------|-------|
| 1 | 322226097/1 | 1 | Mask, Yellow | |
| 2 | 112728450/0 | 2 | Screw | |
| 3 | 322778421/0 | 1 | Bracket, L | |
| 6 | 112792611/0 | 4 | Screw | |
| 7 | 322778419/0 | 1 | Bracket, R | |
| 8 | 112293201/0 | 4 | Nut | |
| 9 | 112815200/0 | 2 | Screw | |
| 10 | 322020400/0 | 2 | Fairlead | |
| 11 | 112728523/0 | 2 | Screw | |
| 12 | 112292102/0 | 2 | Nut | |
| 13 | 133320506/0 | 2 | Fairlead | |



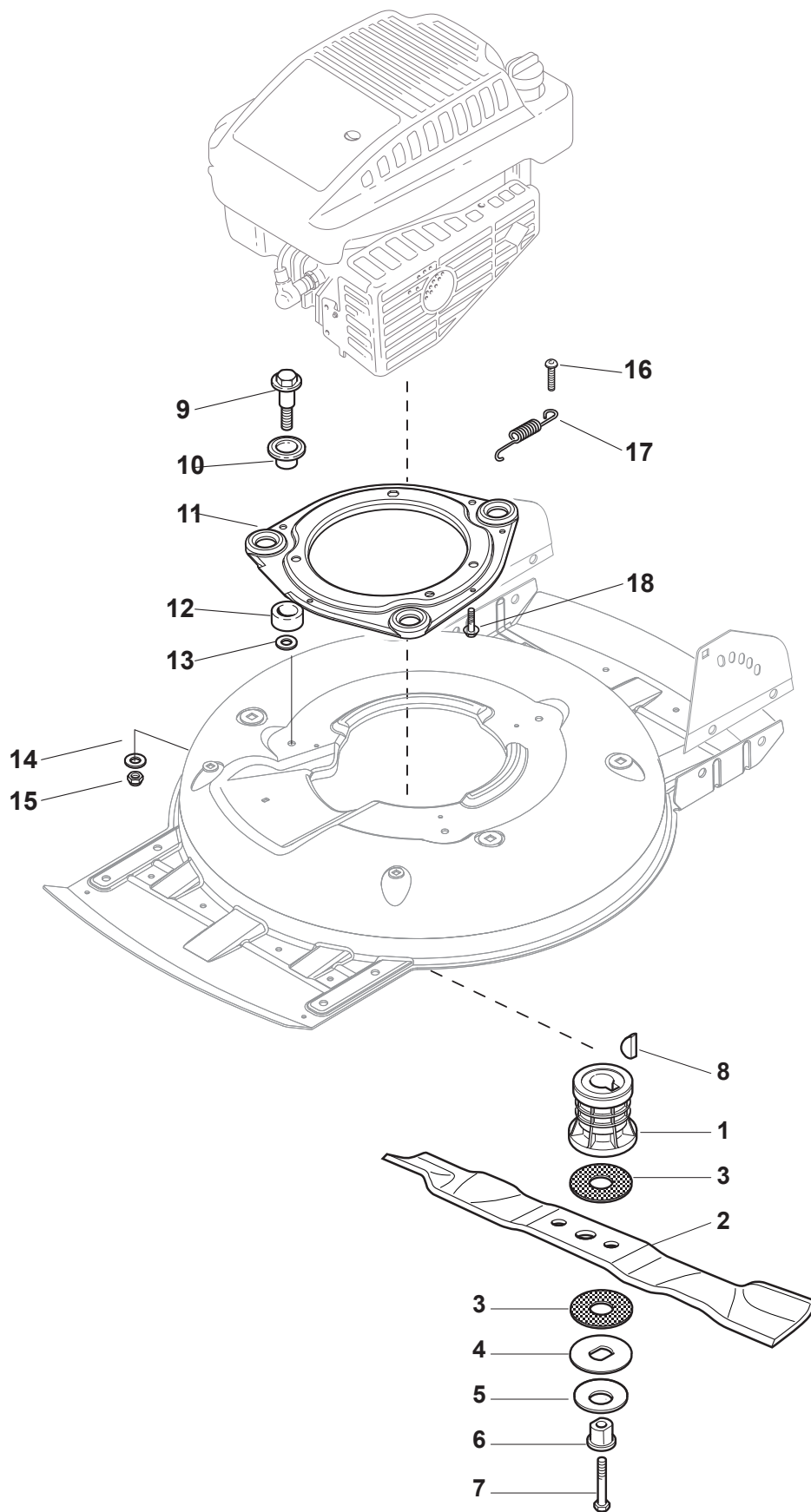
| POSITION | PART No. | Q.Ty | DESCRIPTION | NOTES |
|----------|-------------|------|---------------------------------|-------|
| 1 | 381006373/0 | 1 | Right Handle, Lower Part Yellow | |
| 2 | 118566114/0 | 4 | Cap | |
| 3 | 112819100/0 | 6 | Screw | |
| 4 | 112155000/0 | 6 | Nut | |
| 5 | 118203854/0 | 6 | Protection | |
| 6 | 381006375/0 | 1 | Left Handle, Lower Part Yellow | |
| 7 | 112793102/0 | 4 | Screw | |
| 8 | 381006361/1 | 1 | Handle, Middle Part Yellow | |
| 9 | 112155000/0 | 4 | Nut | |
| 10 | 112523060/0 | 2 | Washer | |
| 11 | 112523080/0 | 1 | Washer | |
| 12 | 322399813/0 | 1 | Knob | |



| POSITION | PART No. | Q.Ty | DESCRIPTION | NOTES |
|----------|-------------|------|----------------------------|-------|
| 1 | 381006363/2 | 1 | Handle, Upper Part Yellow | |
| 2 | 122430314/0 | 1 | Guide Spring | |
| 3 | 112154510/0 | 1 | Nut | |
| 4 | 112727784/0 | 2 | Screw | |
| 5 | 122671660/1 | 2 | Washer | |
| 6 | 381003318/1 | 1 | Lever, Engine Brake | |
| 7 | 112523040/0 | 2 | Washer | |
| 8 | 112154510/0 | 2 | Nut | |
| 9 | 112727784/0 | 1 | Screw | |
| 10 | 181000769/1 | 1 | Cable, Thread Engine Brake | |
| 11 | 322551639/0 | 1 | Plate | |
| 12 | 112154510/0 | 1 | Nut | |



| POSITION | PART No. | Q.Ty | DESCRIPTION | NOTES |
|----------|-------------|------|--------------|-------|
| 1 | 322110492/0 | 4 | Hub Cap Grey | |
| 2 | 119216035/0 | 8 | Bearing | |
| 3 | 381007490/0 | 4 | Wheel Ø 210 | |
| 4 | 112521350/0 | 4 | Washer | |
| 5 | 112155000/0 | 4 | Nut | |



| POSITION | PART No. | Q.Ty | DESCRIPTION | NOTES |
|----------|-------------|------|----------------------------------|-------|
| 1 | 122465612/1 | 1 | Hub With Pulley, Crankshaft Ø 25 | |
| 2 | 181004146/0 | 1 | Blade Standard | |
| 3 | 322672110/1 | 2 | Clutch Washer | |
| 4 | 322672105/0 | 1 | Washer | |
| 5 | 112508120/0 | 1 | Cupped Spring | |
| 6 | 122041940/0 | 1 | Clutch Bush | |
| 7 | 112736850/0 | 1 | Screw | |
| 8 | 112139150/0 | 1 | Feather, Crankshaft Ø 25 | |
| 9 | 122524329/0 | 3 | Pin | |
| 10 | 322672201/0 | 3 | Washer | |
| 11 | 381207221/1 | 1 | Flange, Yellow | |
| 12 | 322250012/0 | 3 | Grommet | |
| 13 | 122671651/0 | 3 | Washer | |
| 14 | 122671651/0 | 3 | Washer | |
| 15 | 112155000/0 | 3 | Nut | |
| 16 | 112791400/0 | 1 | Screw | |
| 17 | 122450444/0 | 1 | Spring | |
| 18 | 112735108/1 | 3 | Screw | |