

Genuine Spare Parts

www.stiga.com

MULTICLIP EURO 50 H

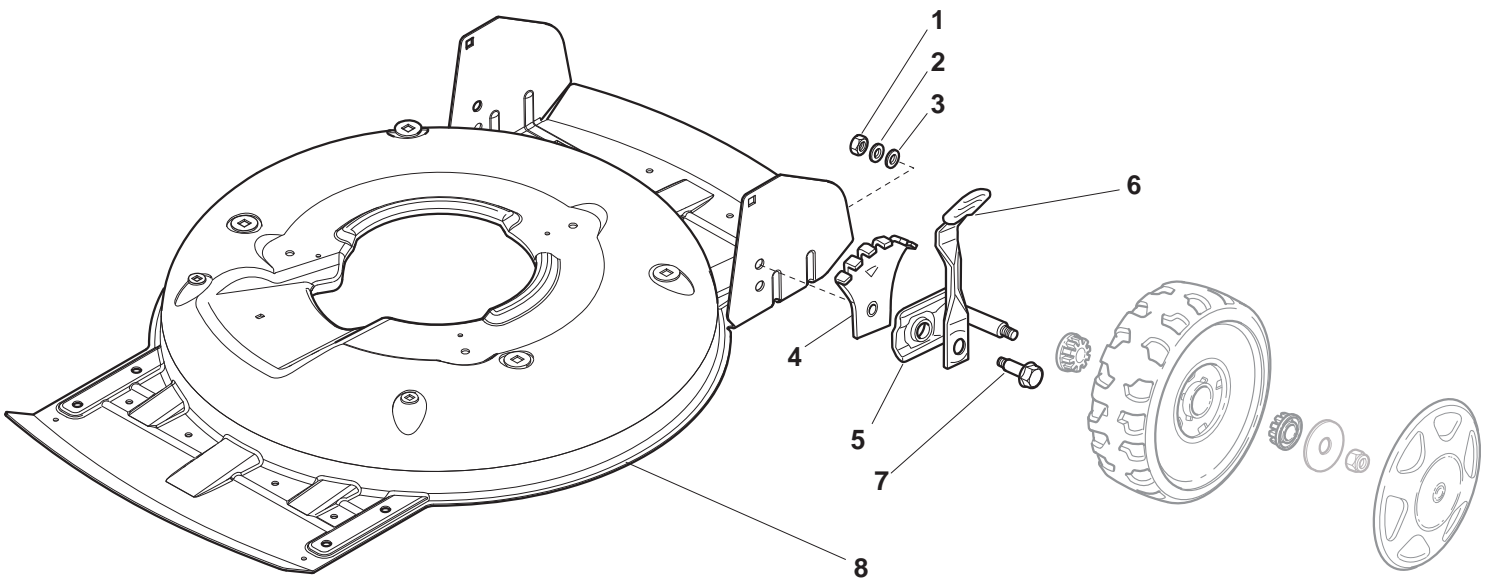
- Use GLOBAL GARDEN PRODUCT Genuine Spare Parts specified in the parts list for repair and/or replacement.
- The contents described in the parts list may change due to improvement.
- The drawings of the spare parts are only indicative and might not represent the part in question exactly.
- The indications "right" - "left" - "front" - "rear" refer to the position of the operator when using the machine.
- When placing orders of parts for repair and/or replacement, make sure that the illustrated parts list is the one applying to the machine's year of manufacture, as shown on the identification plate attached to the machine.

© Copyright 2013 Global Garden Products

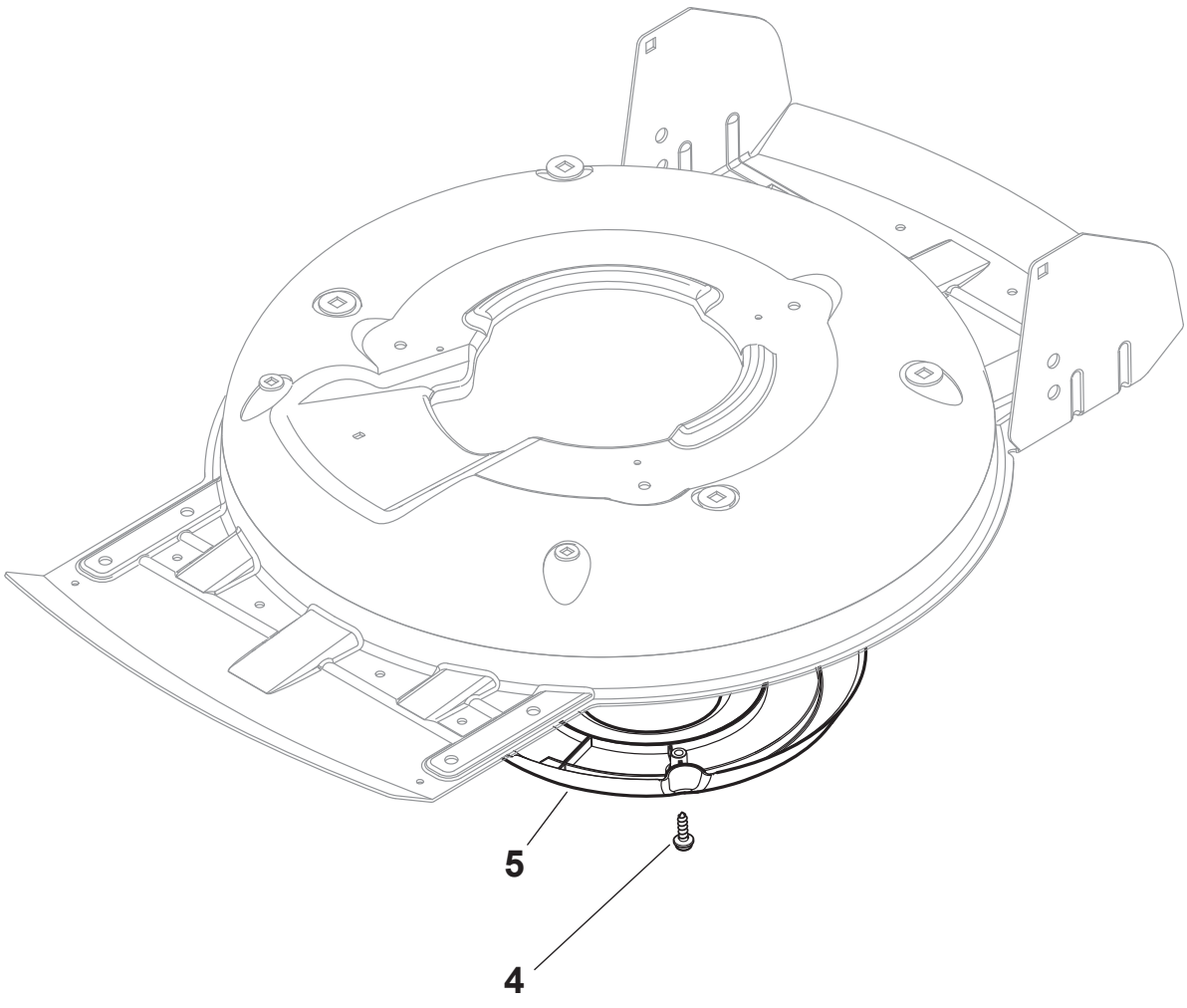
All content is subject to copyright by Global Garden Products and may not be reproduced in whole or in part by any means, electronic or otherwise, without prior written approval.

THIS INFORMATION IS NOT INTENDED FOR SALE OR RESALE, AND THIS NOTICE MUST REMAIN ON ALL COPIES.

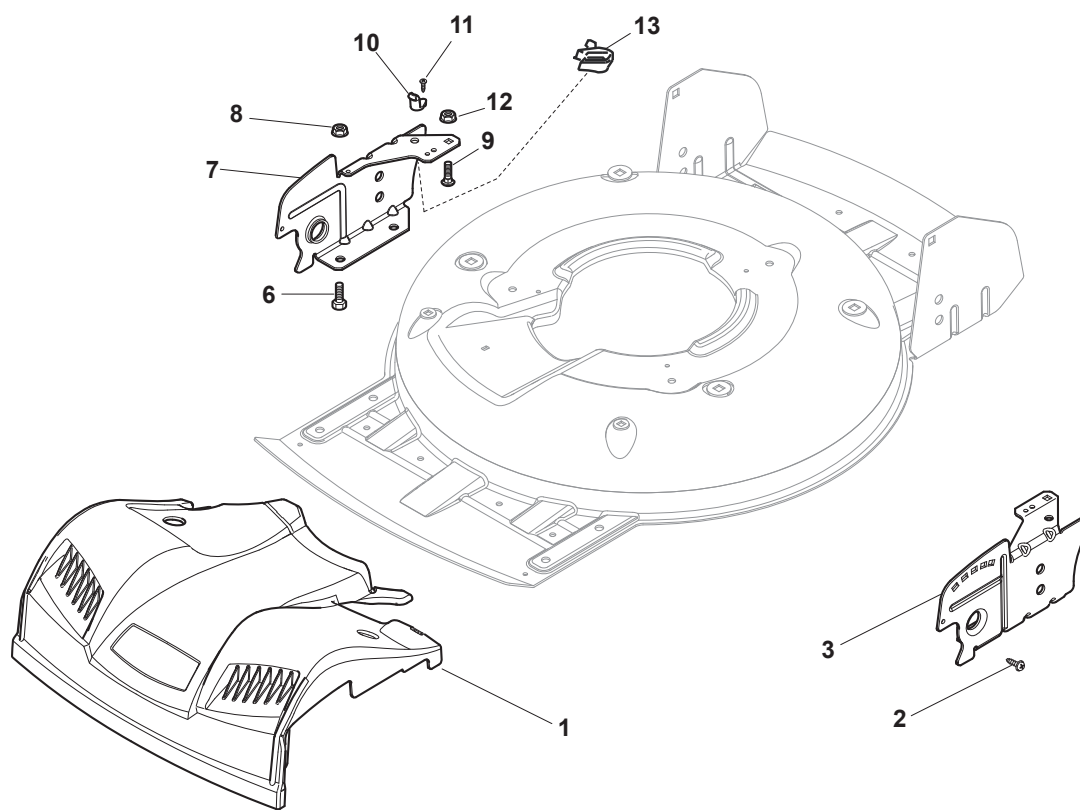




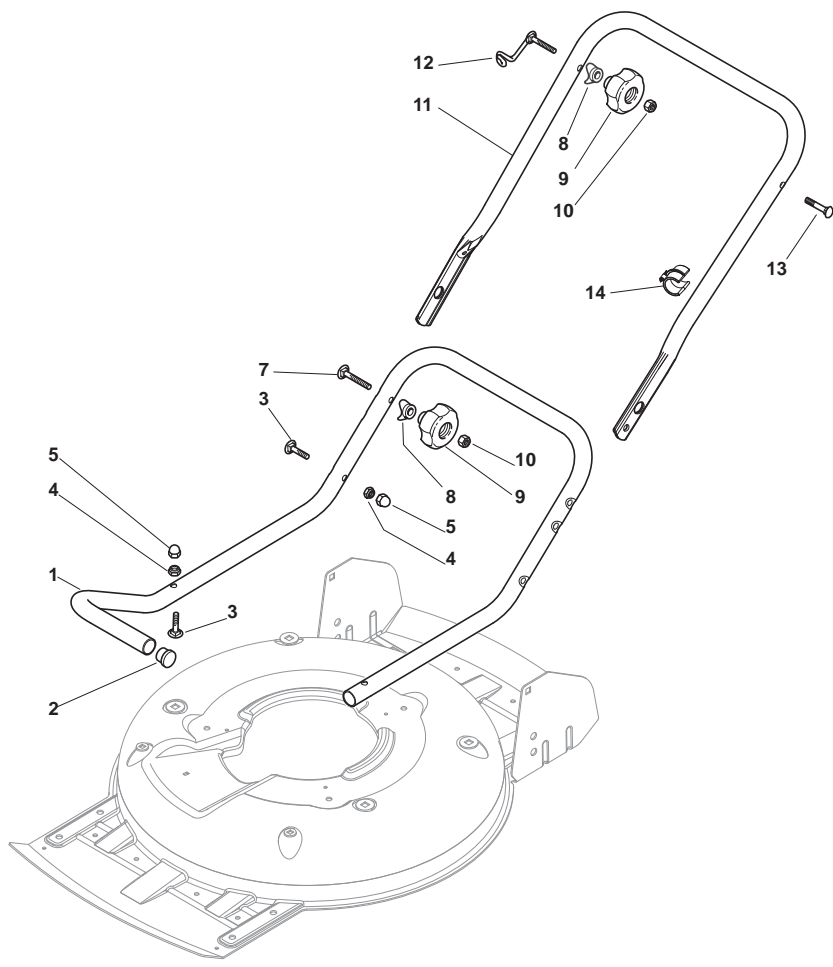
POSITION	PART No.	Q.Ty	DESCRIPTION	NOTES
1	112293200/0	4	Nut	
2	112583500/0	4	Grower	
3	112523070/0	4	Washer	
4	322735547/0	4	Sector, Height Adjustment	
5	381005082/0	4	Support, Wheel	
6	481003286/0	4	Lever, Height Adjustment	
7	122519811/0	4	Pin	
8	381002907/1	1	Deck Yellow	



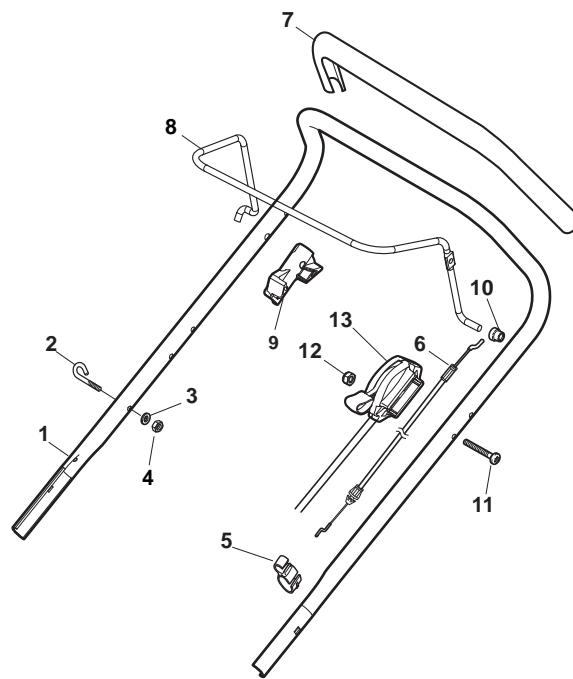
POSITION	PART No.	Q.Ty	DESCRIPTION	NOTES
4	112728530/0	3	Screw	
5	322060220/0	1	Protection	



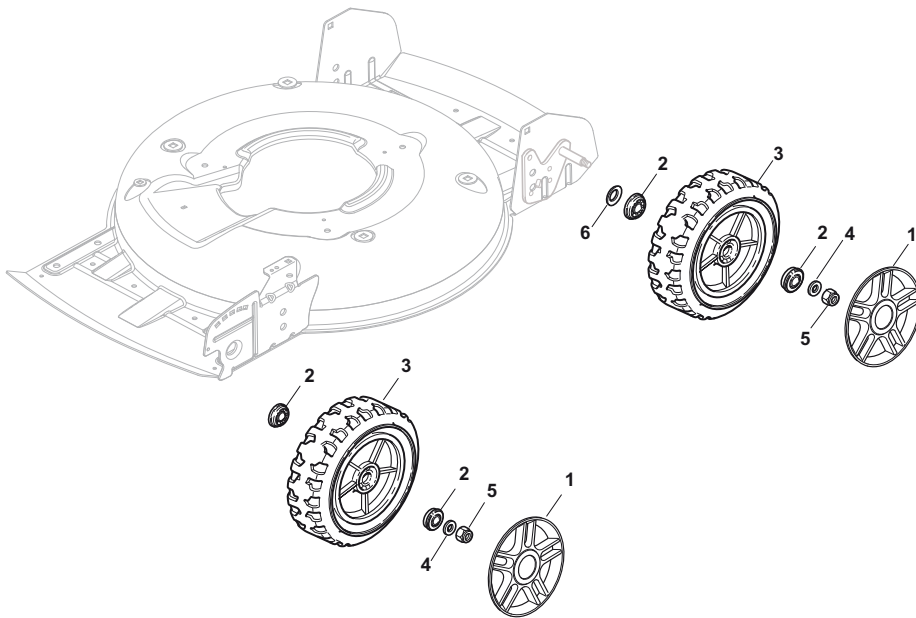
POSITION	PART No.	Q.Ty	DESCRIPTION	NOTES
1	322226097/1	1	Mask, Yellow	
2	112728450/0	2	Screw	
3	322778421/0	1	Bracket, L	
6	112792611/0	4	Screw	
7	322778419/0	1	Bracket, R	
8	112293201/0	4	Nut	
9	112815200/0	2	Screw	
10	322020400/0	2	Fairlead	
11	112728523/0	2	Screw	
12	112292102/0	2	Nut	
13	133320506/0	2	Fairlead	



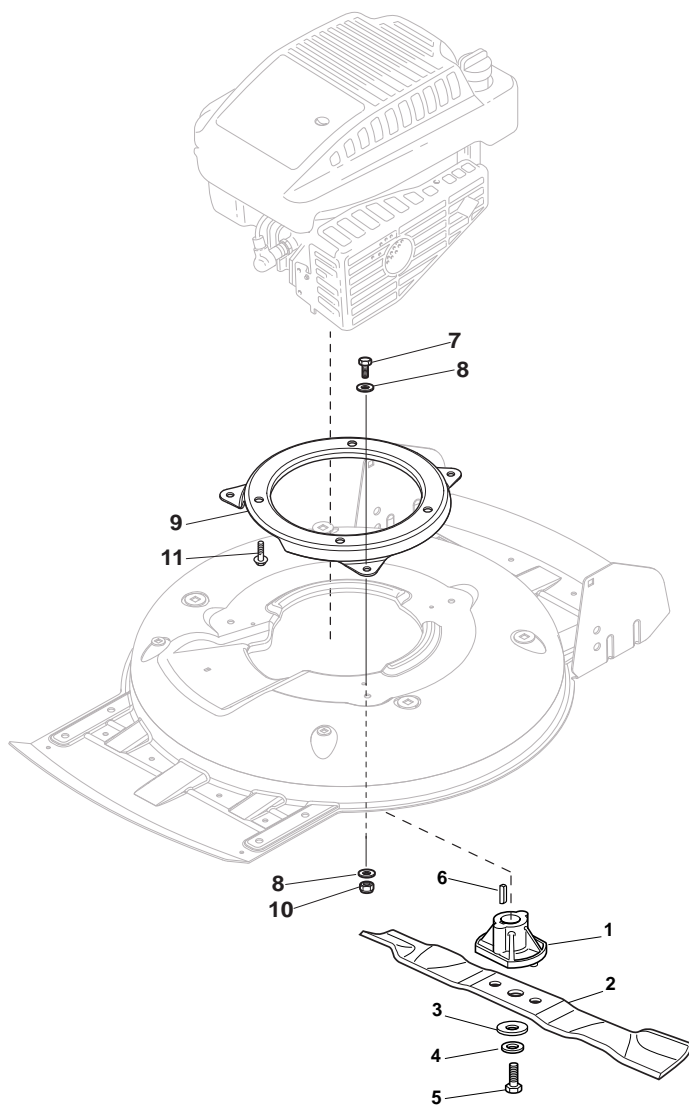
POSITION	PART No.	Q.Ty	DESCRIPTION	NOTES
1	381006667/0	1	Handle, Lower Part	
2	118566110/0	2	Cap	
3	112818900/0	4	Screw	
4	112155000/0	4	Nut	
5	118203854/0	4	Protection	
7	112819201/0	2	Screw	
8	122680006/1	4	Washer	
9	322399804/1	4	Knob	
10	112293200/0	4	Nut	
11	381006668/0	1	Handle, Middle Part	
12	181003801/1	1	Guide Spring	
13	112819201/0	1	Screw	
14	118390020/0	1	Fairlead	



POSITION	PART No.	Q.Ty	DESCRIPTION	NOTES
1	381006838/0	1	Handle, Upper Part	
2	122430313/0	1	Guide Spring	
3	112521330/0	1	Washer	
4	112154510/0	1	Nut	
5	118390020/0	1	Fairlead	
6	181030056/0	1	Cable, Thread Engine Brake	
7	122291050/0	1	Handgrip Black	
8	181003300/1	1	Lever, Engine Brake Black	
9	322545204/0	1	Fulcrum Pin	
10	122041966/0	2	Bush	
11	112727783/0	1	Screw	
12	112154510/0	1	Nut	
13	181005517/0	1	Throttle Cable	



POSITION	PART No.	Q.Ty	DESCRIPTION	NOTES
1	322110492/0	4	Hub Cap Grey	
2	119216035/0	8	Bearing	
3	381007490/0	4	Wheel Ø 210	
4	112521350/0	4	Washer	
5	112155000/0	4	Nut	



POSITION	PART No.	Q.Ty	DESCRIPTION	NOTES
1	122463020/1	1	Hub, Crankshaft Ø 25	
2	181004146/0	1	Blade Standard	
3	122160400/0	1	Elastic Washer	
4	112523080/0	1	Washer	
5	112735698/0	1	Screw	
6	112139150/0	1	Feather, Crankshaft Ø 25	
7	112793102/0	3	Screw	
8	112523060/0	6	Washer	
9	322207219/1	1	Flange	
10	112155000/0	3	Nut	
11	112735108/1	3	Screw	