

Genuine Spare Parts

www.stiga.com

MULTICLIP 50 S BLUE

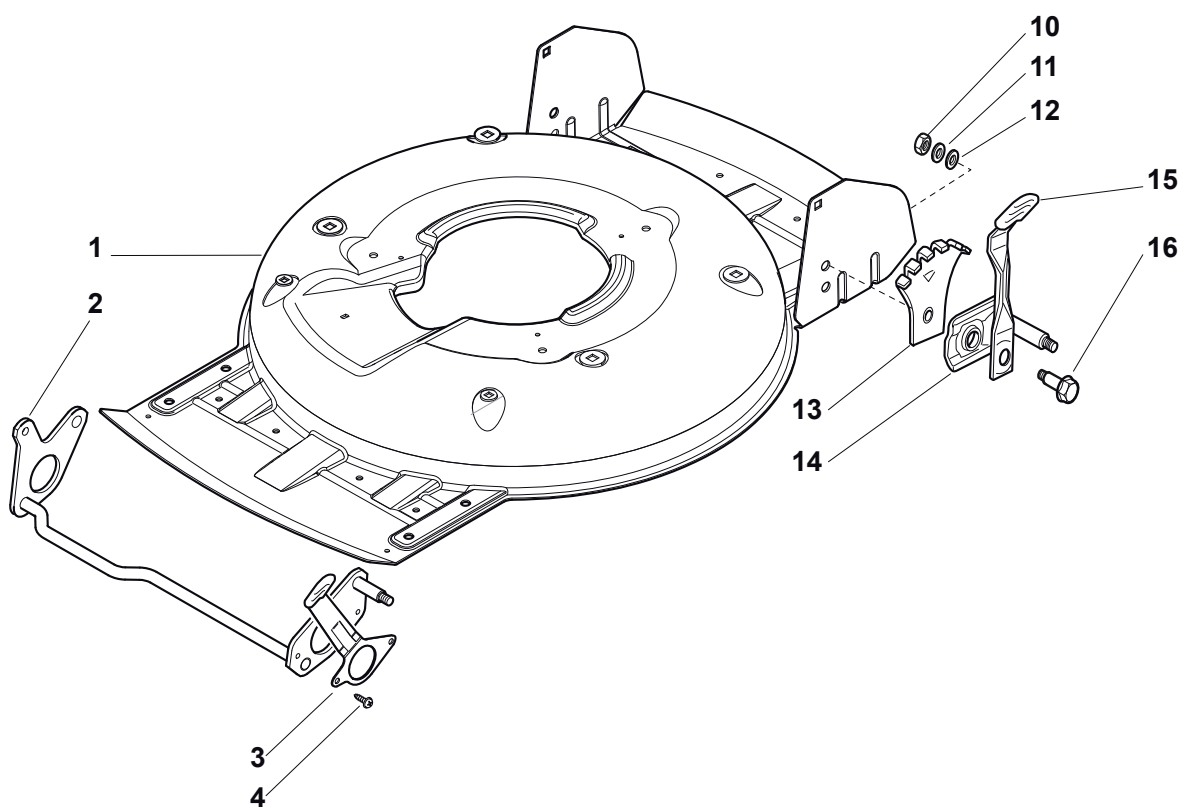
- Use GLOBAL GARDEN PRODUCT Genuine Spare Parts specified in the parts list for repair and/or replacement.
- The contents described in the parts list may change due to improvement.
- The drawings of the spare parts are only indicative and might not represent the part in question exactly.
- The indications "right" - "left" - "front" - "rear" refer to the position of the operator when using the machine.
- When placing orders of parts for repair and/or replacement, make sure that the illustrated parts list is the one applying to the machine's year of manufacture, as shown on the identification plate attached to the machine.

© Copyright 2013 Global Garden Products

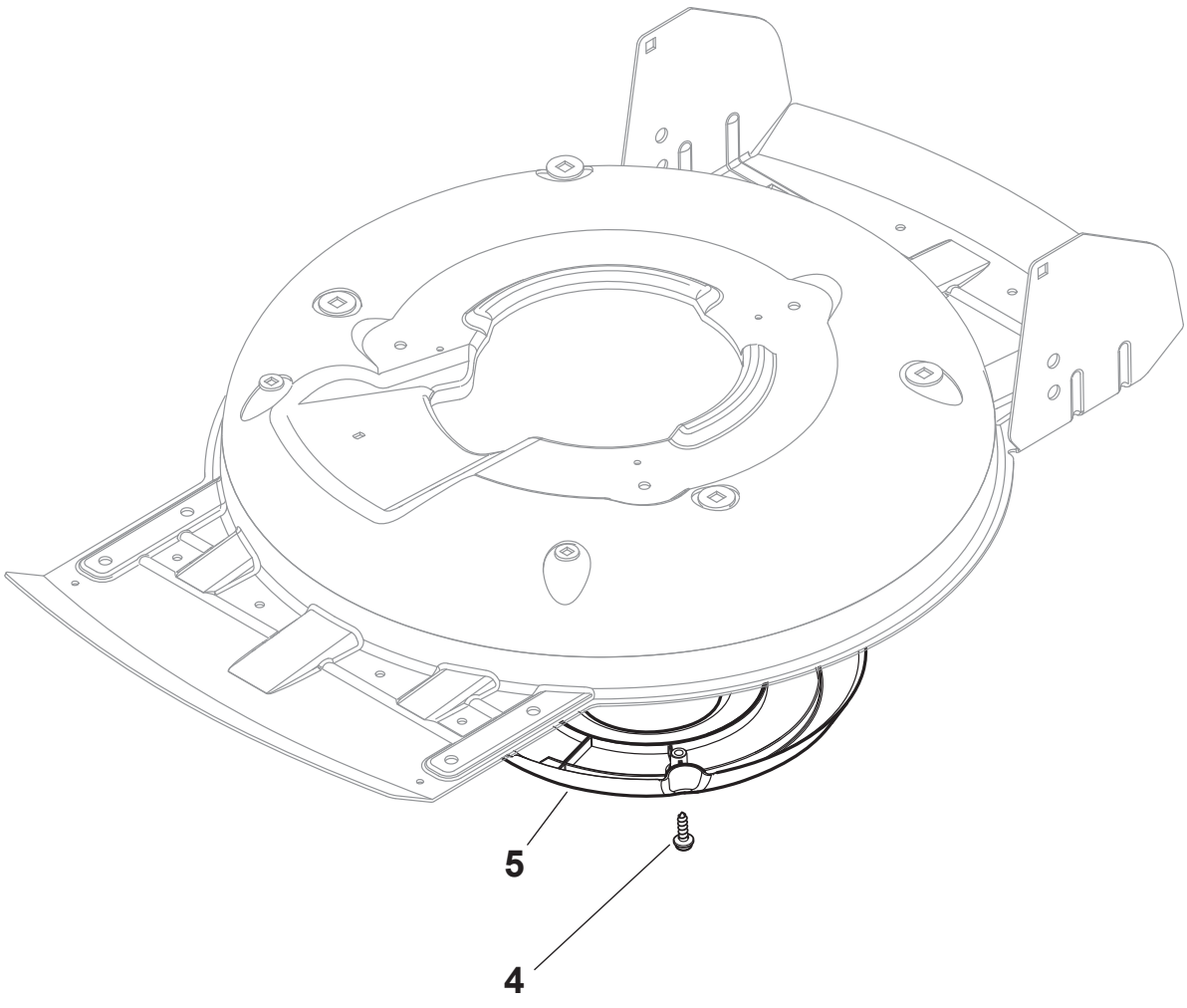
All content is subject to copyright by Global Garden Products and may not be reproduced in whole or in part by any means, electronic or otherwise, without prior written approval.

THIS INFORMATION IS NOT INTENDED FOR SALE OR RESALE, AND THIS NOTICE MUST REMAIN ON ALL COPIES.

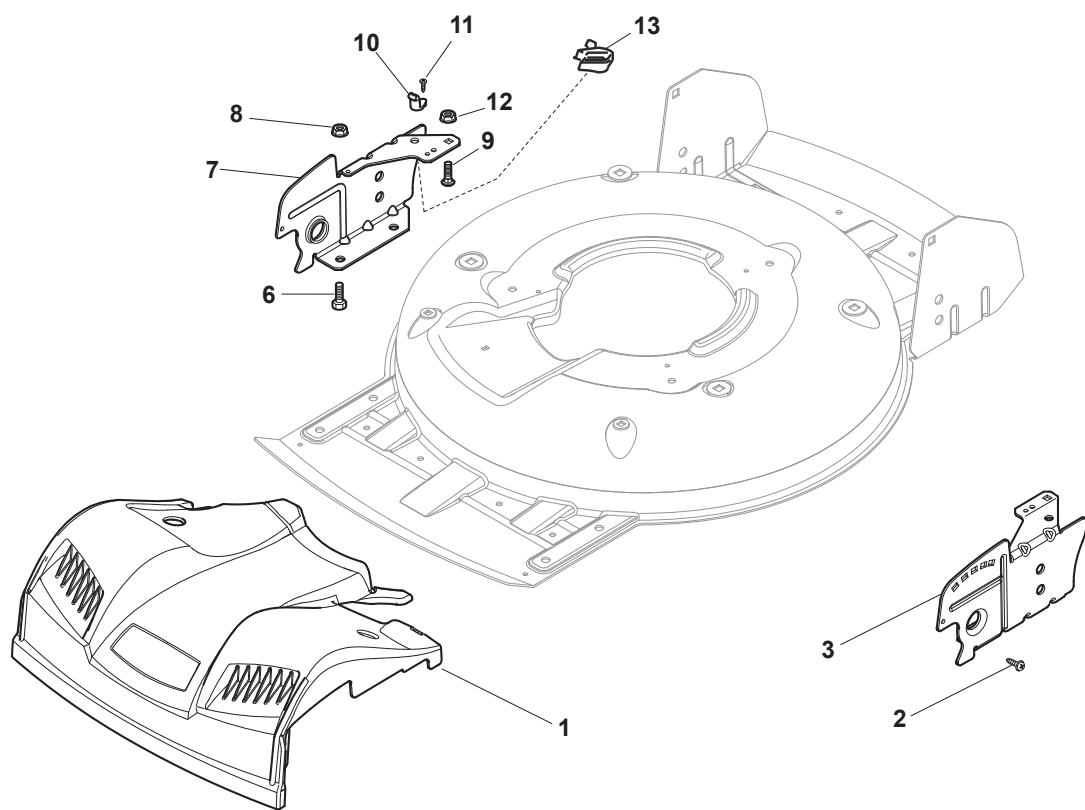




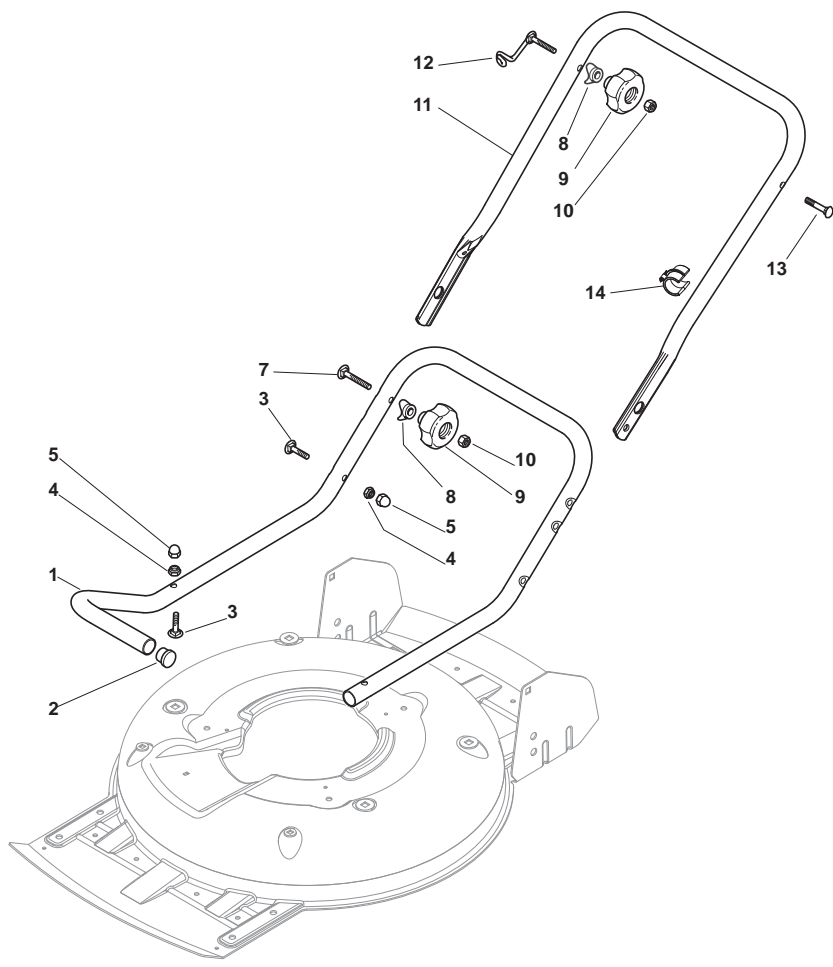
POSITION	PART No.	Q.Ty	DESCRIPTION	NOTES
1	381002907/1	1	Deck Yellow	
2	381302863/0	1	Axle, Front Wheels	
3	381003412/0	1	Lever, Height Adjustment	
4	112735661/0	2	Screw	
10	112293200/0	2	Nut	
11	112583500/0	2	Grower	
12	112523070/0	2	Washer	
13	322735547/0	2	Sector, Height Adjustment	
14	381005175/0	2	Support, Wheel	
15	481003286/0	2	Lever, Height Adjustment	
16	122519811/0	2	Pin	



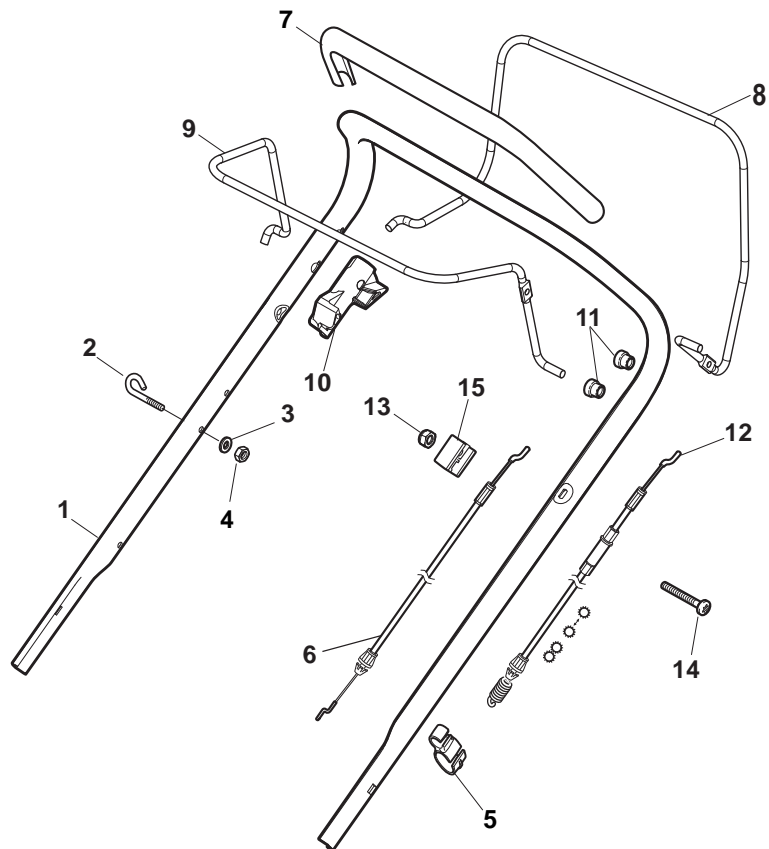
POSITION	PART No.	Q.Ty	DESCRIPTION	NOTES
4	112728530/0	3	Screw	
5	322060220/0	1	Protection	



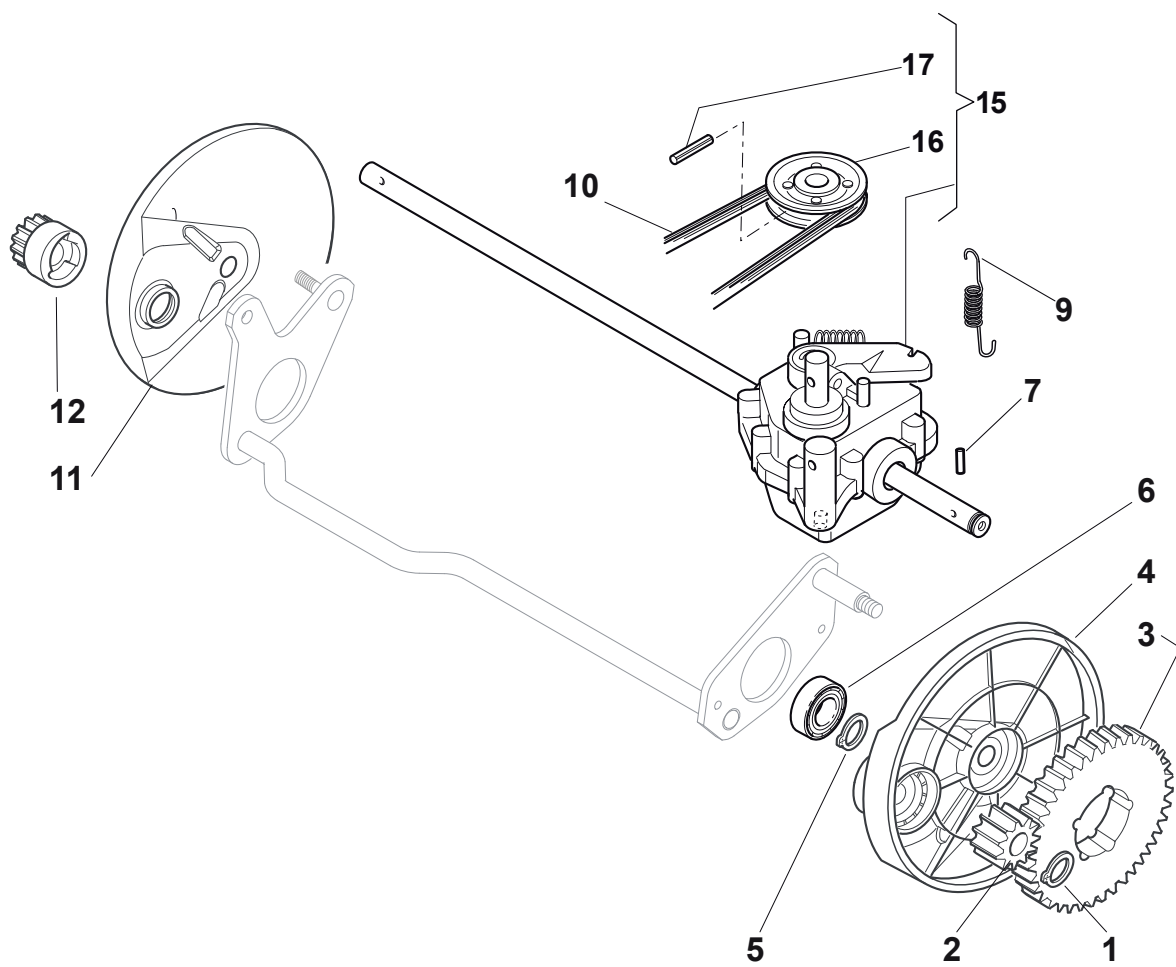
POSITION	PART No.	Q.Ty	DESCRIPTION	NOTES
1	322226133/0	1	Mask, Black	
2	112728450/0	2	Screw	
3	322778421/0	1	Bracket, L	
6	112792611/0	4	Screw	
7	322778419/0	1	Bracket, R	
8	112293201/0	4	Nut	
9	112815200/0	2	Screw	
10	322020400/0	2	Fairlead	
11	112728523/0	2	Screw	
12	112292102/0	2	Nut	
13	133320506/0	2	Fairlead	



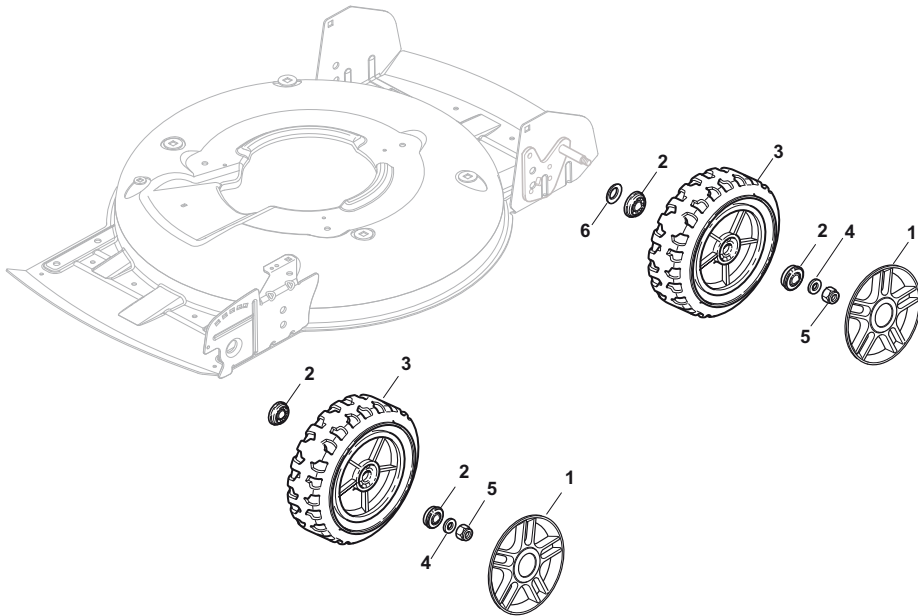
POSITION	PART No.	Q.Ty	DESCRIPTION	NOTES
1	381006667/0	1	Handle, Lower Part	
2	118566110/0	2	Cap	
3	112818900/0	4	Screw	
4	112155000/0	4	Nut	
5	118203854/0	4	Protection	
7	112819201/0	2	Screw	
8	122680006/1	4	Washer	
9	322399804/1	4	Knob	
10	112293200/0	4	Nut	
11	381006668/0	1	Handle, Middle Part	
12	181003801/1	1	Guide Spring	
13	112819201/0	1	Screw	
14	118390020/0	1	Fairlead	



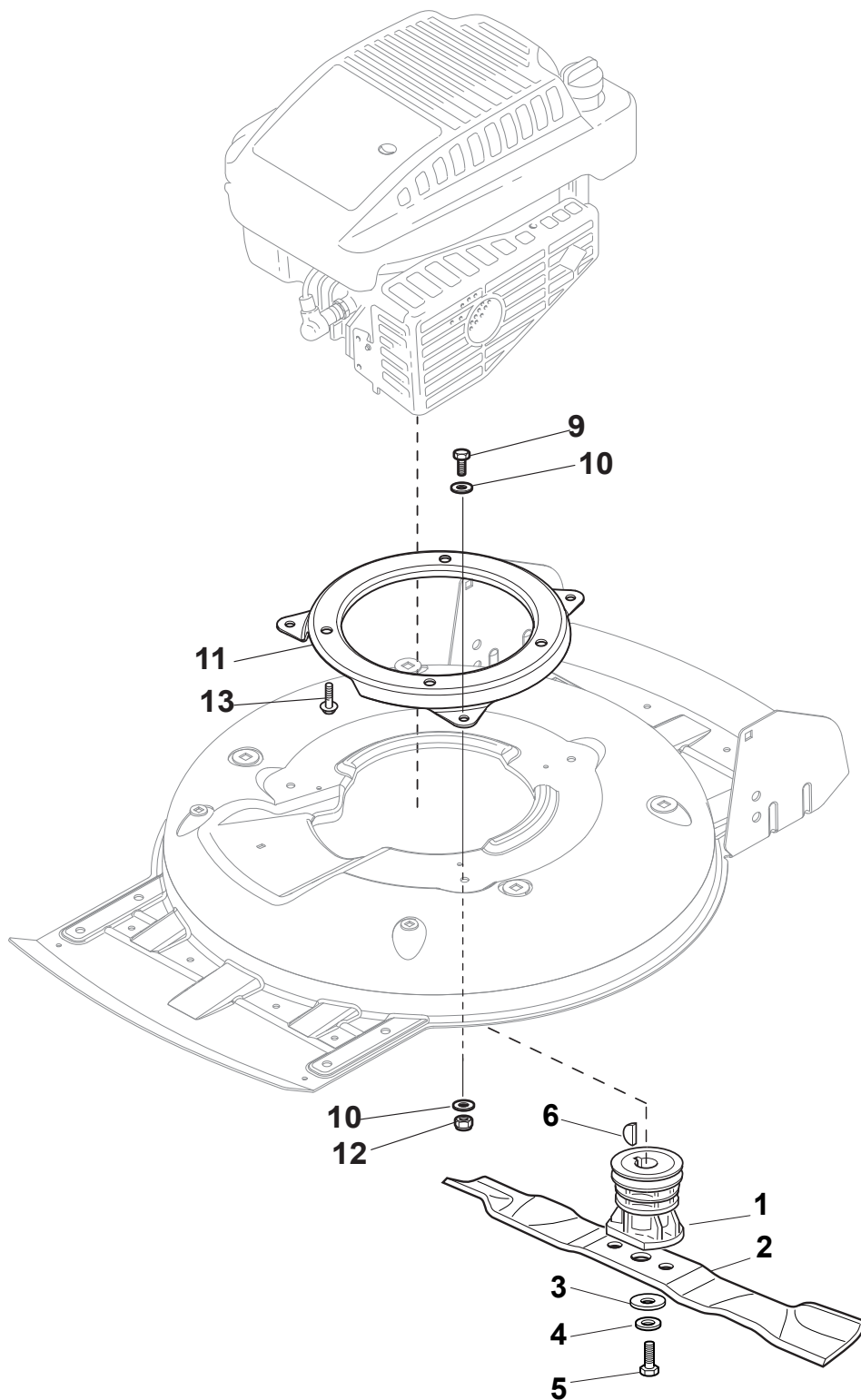
POSITION	PART No.	Q.Ty	DESCRIPTION	NOTES
1	381006838/0	1	Handle, Upper Part	
2	122430313/0	1	Guide Spring	
3	112521330/0	1	Washer	
4	112154510/0	1	Nut	
5	118390020/0	1	Fairlead	
6	181030069/0	1	Cable, Thread Engine Brake	
7	122291050/0	1	Handgrip Black	
8	181003300/1	1	Lever, Engine Brake Black	
9	181003301/0	1	Lever, Driving Black	
10	322545204/0	1	Fulcrum Pin	
11	122041966/0	4	Bush	
12	381030096/0	1	Cable, Rear Drive	
13	112154510/0	1	Nut	
14	112727783/0	1	Screw	
15	322551640/0	1	Plate	



POSITION	PART No.	Q.Ty	DESCRIPTION	NOTES
1	112608600/0	2	Seeger	
2	122570120/1	1	Pinion L	
3	122120105/1	2	Ring Gear	
4	322600267/0	1	Plastic Wheels Protection	
5	112608600/0	2	Seeger	
6	119216035/0	2	Bearing	
7	122753000/0	2	Pin	
9	122450439/0	1	Spring	
10	135064100/0	1	Belt	
11	322600267/0	1	Plastic Wheels Protection	
12	122570110/1	1	Pinion R	
15	181003109/0	1	Gear Box	
16	122601909/0	1	Pulley	
17	112645705/0	1	Pin	



POSITION	PART No.	Q.Ty	DESCRIPTION	NOTES
1	322110563/0	4	Hub Cap Yellow	
2	119216035/0	8	Bearing	
3	381007490/0	4	Wheel Ø 210	
4	112521350/0	4	Washer	
5	112155000/0	4	Nut	



POSITION	PART No.	Q.Ty	DESCRIPTION	NOTES
1	122465607/3	1	Hub With Pulley, Crankshaft Ø 22.2	
2	181004146/0	1	Blade Standard	
3	122160400/0	1	Elastic Washer	
4	112523080/0	1	Washer	
5	112735698/0	1	Screw	
6	112139100/0	1	Feather, Crankshaft Ø 22.2	
9	112793102/0	3	Screw	
10	112523060/0	6	Washer	
11	322207219/1	1	Flange	
12	112155000/0	3	Nut	
13	112735108/1	3	Screw	