

Genuine Spare Parts

www.stiga.com

COMBI 48 SQ B

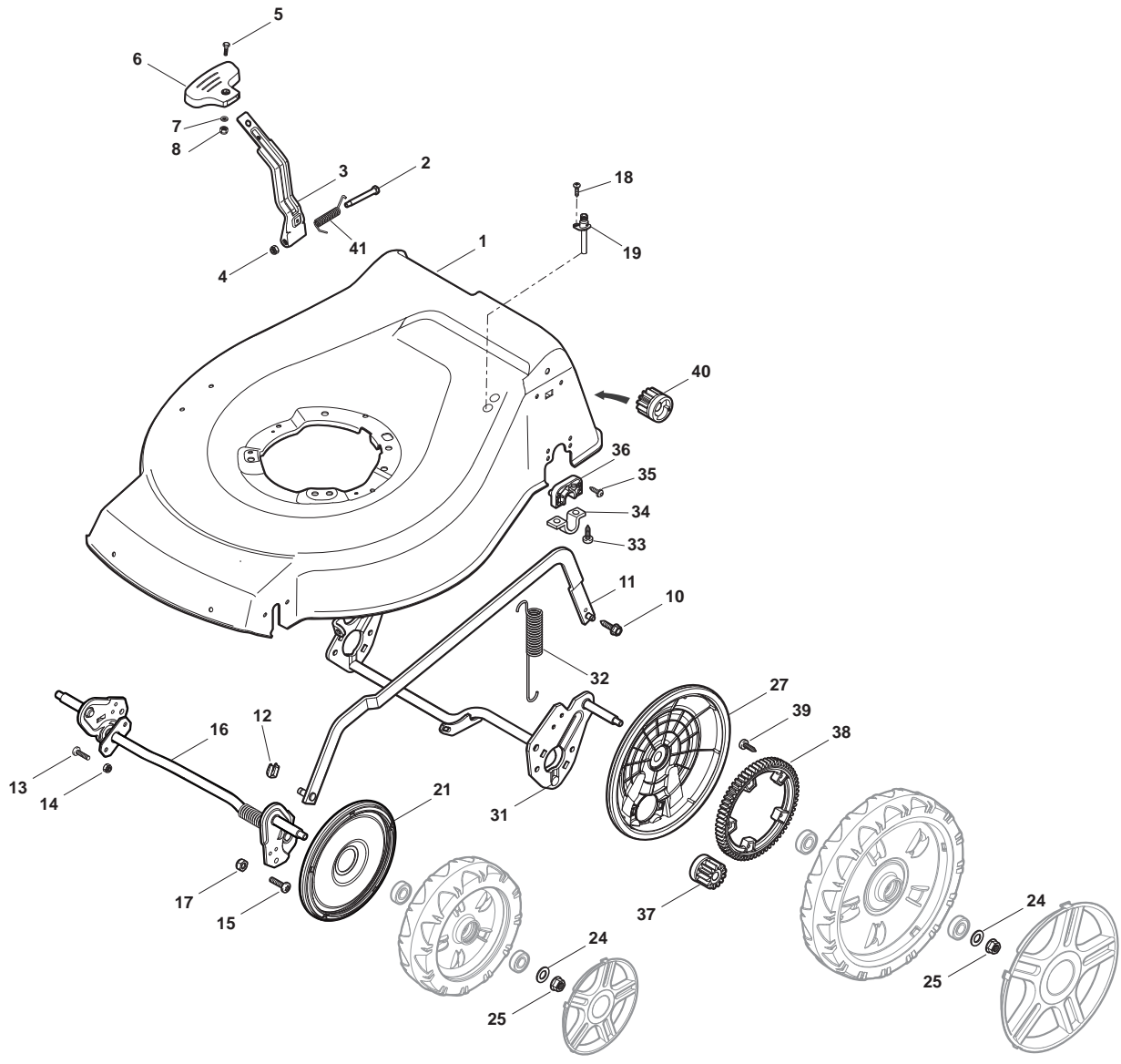
- Use GLOBAL GARDEN PRODUCT Genuine Spare Parts specified in the parts list for repair and/or replacement.
- The contents described in the parts list may change due to improvement.
- The drawings of the spare parts are only indicative and might not represent the part in question exactly.
- The indications "right" - "left" - "front" - "rear" refer to the position of the operator when using the machine.
- When placing orders of parts for repair and/or replacement, make sure that the illustrated parts list is the one applying to the machine's year of manufacture, as shown on the identification plate attached to the machine.

© Copyright 2012 Global Garden Products

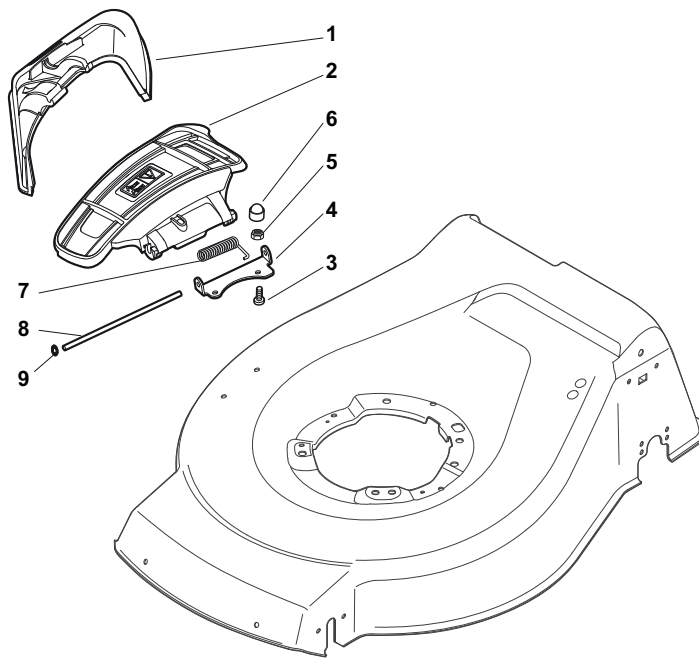
All content is subject to copyright by Global Garden Products and may not be reproduced in whole or in part by any means, electronic or otherwise, without prior written approval.

THIS INFORMATION IS NOT INTENDED FOR SALE OR RESALE, AND THIS NOTICE MUST REMAIN ON ALL COPIES.

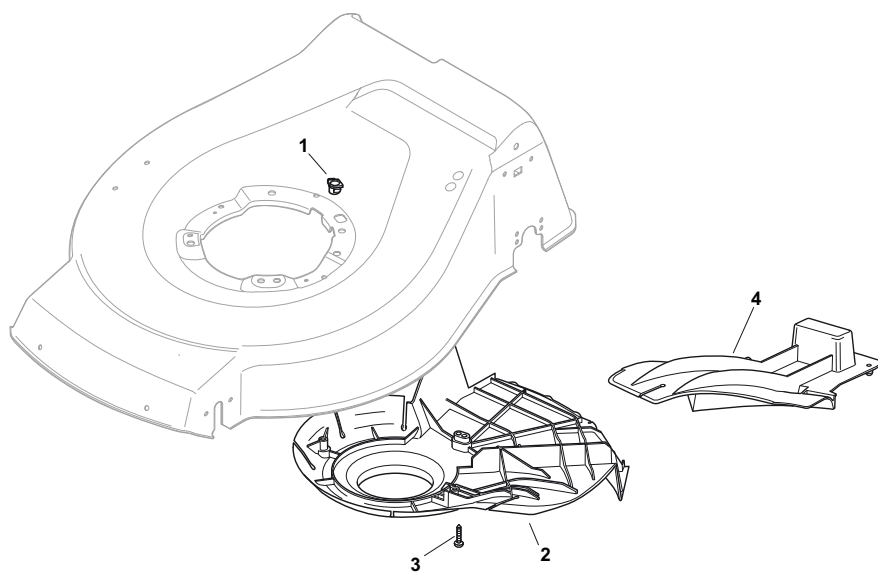




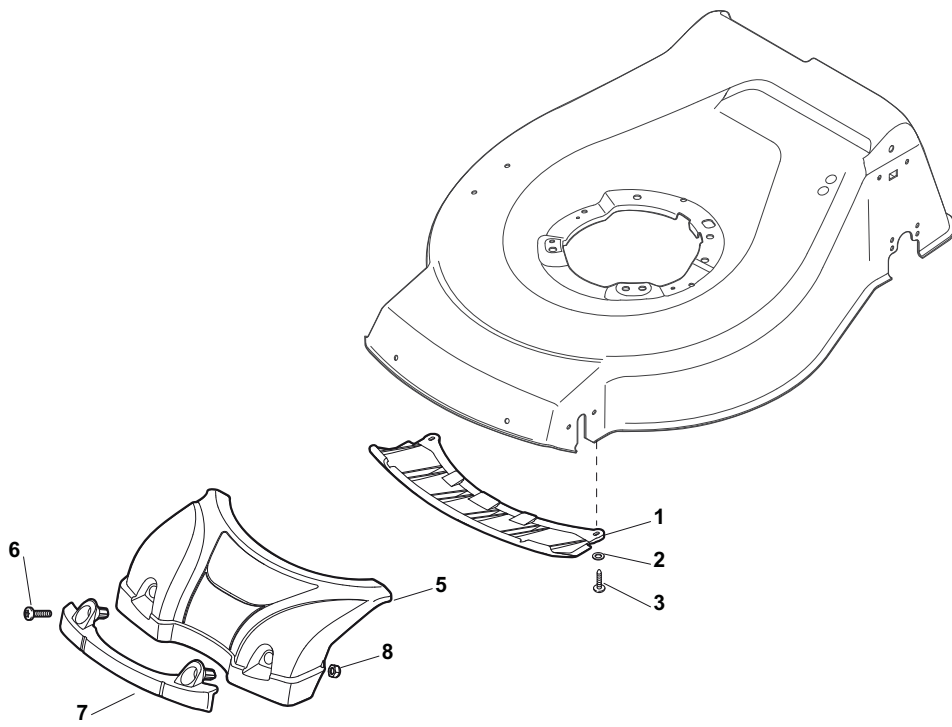
| POSITION | PART No. | Q.Ty | DESCRIPTION | NOTES |
|----------|-------------|------|--------------------------|-------|
| 1 | 381004538/0 | 1 | Deck Red | |
| 2 | 122534131/0 | 1 | Pin | |
| 3 | 381003398/0 | 1 | Lever, Height Adjustment | |
| 4 | 112154510/0 | 1 | Nut | |
| 5 | 112788512/0 | 1 | Screw | |
| 6 | 322394503/0 | 1 | Knob | |
| 7 | 112521310/0 | 1 | Washer | |
| 8 | 112150000/0 | 1 | Nut | |
| 10 | 122943013/0 | 1 | Screw | |
| 11 | 381002030/0 | 1 | Rod, Height Adjustment | |
| 12 | 112436051/0 | 1 | Plate | |
| 13 | 112727803/0 | 3 | Screw | |
| 14 | 112154510/0 | 3 | Nut | |
| 15 | 112727801/0 | 1 | Screw | |
| 16 | 381002883/1 | 1 | Axle, Front Wheels | |
| 17 | 112154510/0 | 1 | Nut | |
| 18 | 112728450/0 | 1 | Screw | |
| 19 | 322034002/0 | 1 | Washing Connection | |
| 21 | 322600145/0 | 2 | Protection, Wheel | |
| 24 | 112521350/0 | 4 | Washer | |
| 25 | 112155000/0 | 4 | Nut | |
| 27 | 322600208/0 | 2 | Protection, Wheel | |
| 31 | 381302835/1 | 1 | Axle, Rear Wheels | |
| 32 | 122450460/0 | 1 | Spring | |
| 33 | 112728697/0 | 4 | Screw | |
| 34 | 322545152/0 | 2 | Plate | |
| 35 | 112728697/0 | 4 | Screw | |
| 36 | 322785304/1 | 2 | Support | |
| 37 | 122570134/0 | 1 | Pinion L | |
| 38 | 322120115/0 | 2 | Ring Gear | |
| 39 | 112728706/0 | 6 | Screw | |
| 40 | 122570133/0 | 1 | Pinion R | |
| 41 | 122446192/0 | 1 | Spring | |



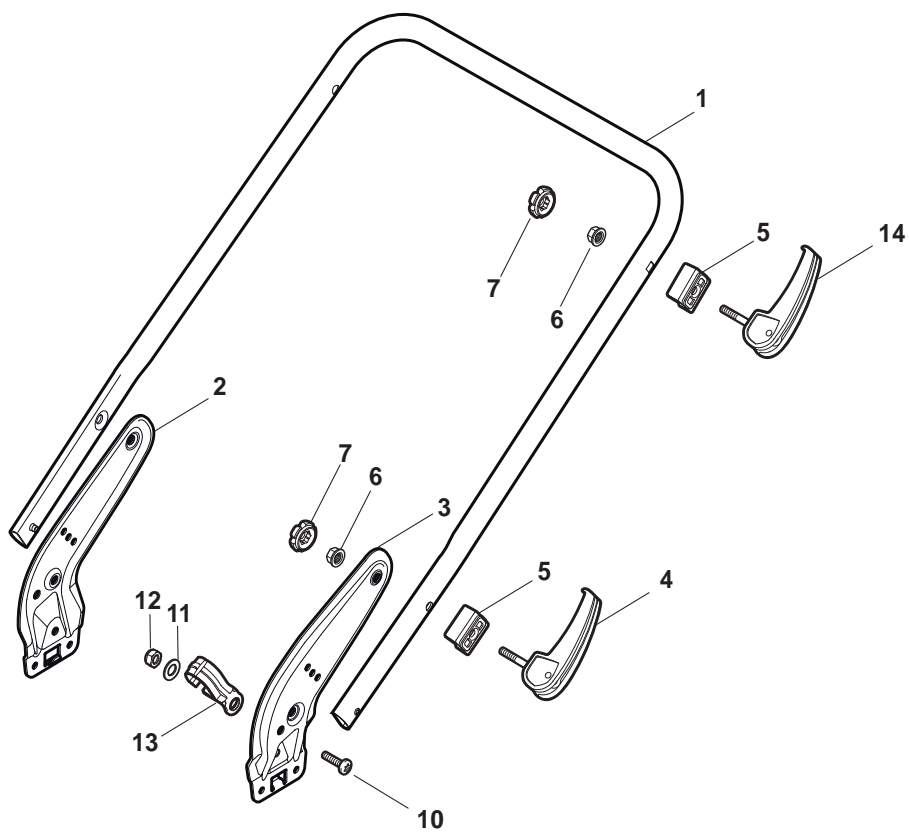
| POSITION | PART No. | Q.Ty | DESCRIPTION | NOTES |
|----------|-------------|------|----------------|-------|
| 1 | 322108295/0 | 1 | Stone-Guard | |
| 2 | 322600195/0 | 1 | Ejection Guard | |
| 3 | 112727803/0 | 2 | Screw | |
| 4 | 322806639/0 | 1 | Fulcrum Pin | |
| 5 | 112154510/0 | 2 | Nut | |
| 6 | 118203853/0 | 2 | Protection | |
| 7 | 122450456/0 | 1 | Spring | |
| 8 | 122517869/0 | 1 | Pin | |
| 9 | 112604896/0 | 2 | Crown Fastener | |



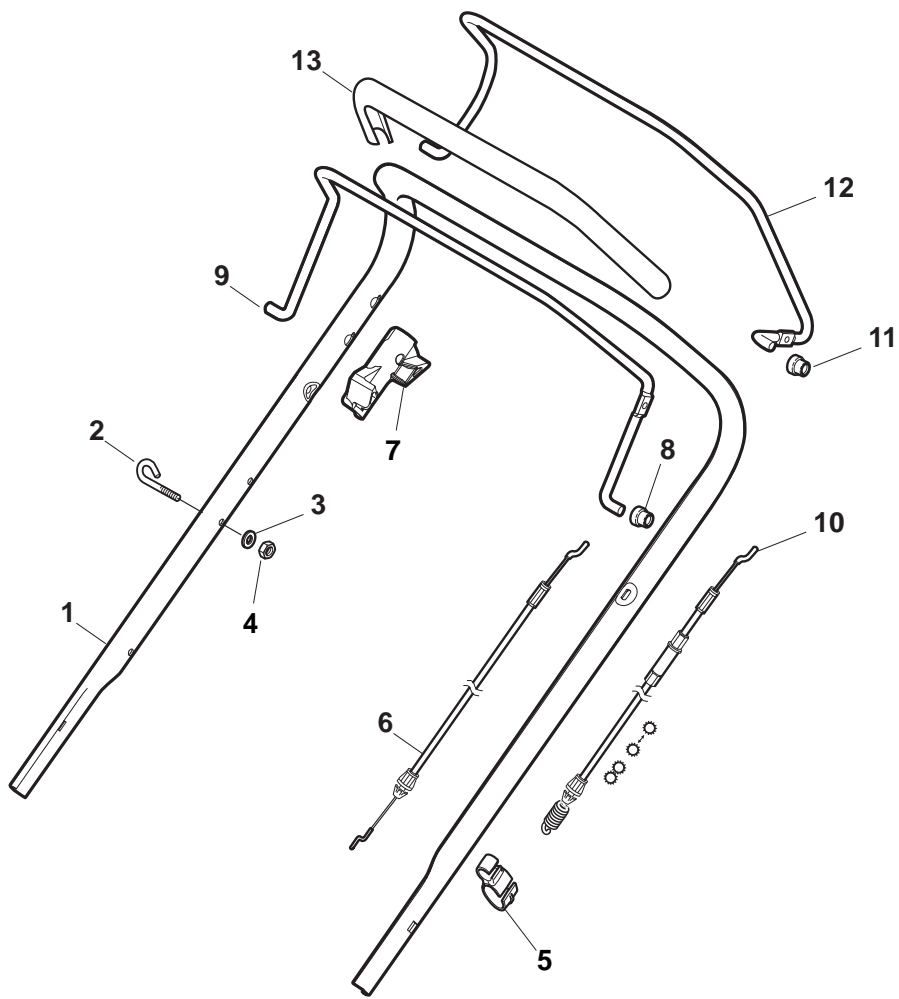
| POSITION | PART No. | Q.Ty | DESCRIPTION | NOTES |
|----------|-------------|------|------------------|-------|
| 1 | 322291150/0 | 1 | Rubber Insert | |
| 2 | 322060198/1 | 1 | Protection, Belt | |
| 3 | 112728530/0 | 3 | Screw | |
| 4 | 322140223/0 | 1 | Deflector | |



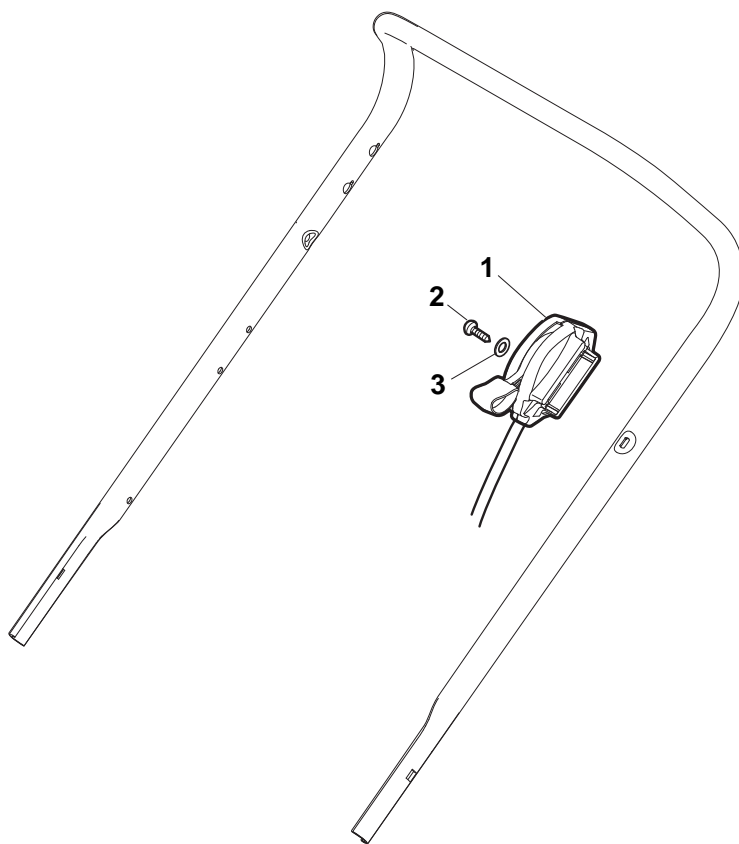
| POSITION | PART No. | Q.Ty | DESCRIPTION | NOTES |
|----------|-------------|------|----------------|-------|
| 1 | 322500102/0 | 1 | Front Combi | |
| 2 | 112523000/1 | 2 | Washer | |
| 3 | 112728124/0 | 2 | Screw | |
| 5 | 322226151/0 | 1 | Mask, Black | |
| 6 | 112727799/0 | 2 | Screw | |
| 7 | 322393640/0 | 1 | Handle, Yellow | |
| 8 | 112154510/0 | 2 | Nut | |



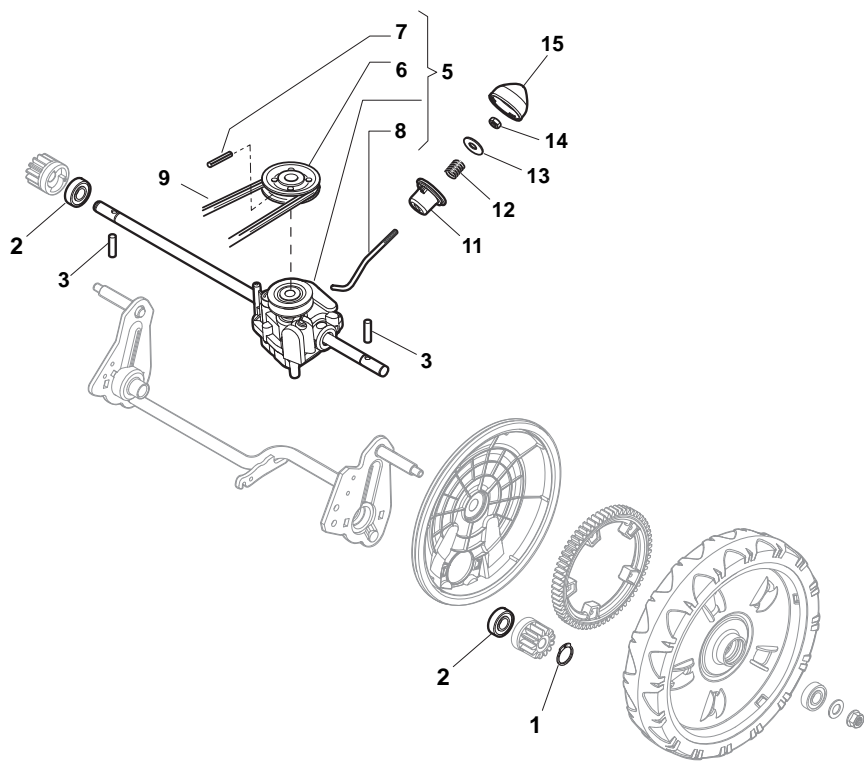
| POSITION | PART No. | Q.Ty | DESCRIPTION | NOTES |
|----------|-------------|------|--------------------|-------|
| 1 | 381006719/0 | 1 | Handle, Lower Part | |
| 2 | 381005149/0 | 1 | Bracket, R | |
| 3 | 381005151/0 | 1 | Bracket, L | |
| 4 | 381003253/0 | 2 | Handle | |
| 5 | 322680016/0 | 4 | Support | |
| 6 | 122131750/0 | 4 | Nut | |
| 7 | 322399835/0 | 4 | Knob | |
| 10 | 112760605/0 | 2 | Screw | |
| 11 | 125038002/1 | 2 | Bush | |
| 12 | 112155000/0 | 2 | Nut | |
| 13 | 322192156/0 | 1 | Fair Led | |
| 14 | 381103350/0 | 2 | Handle | |



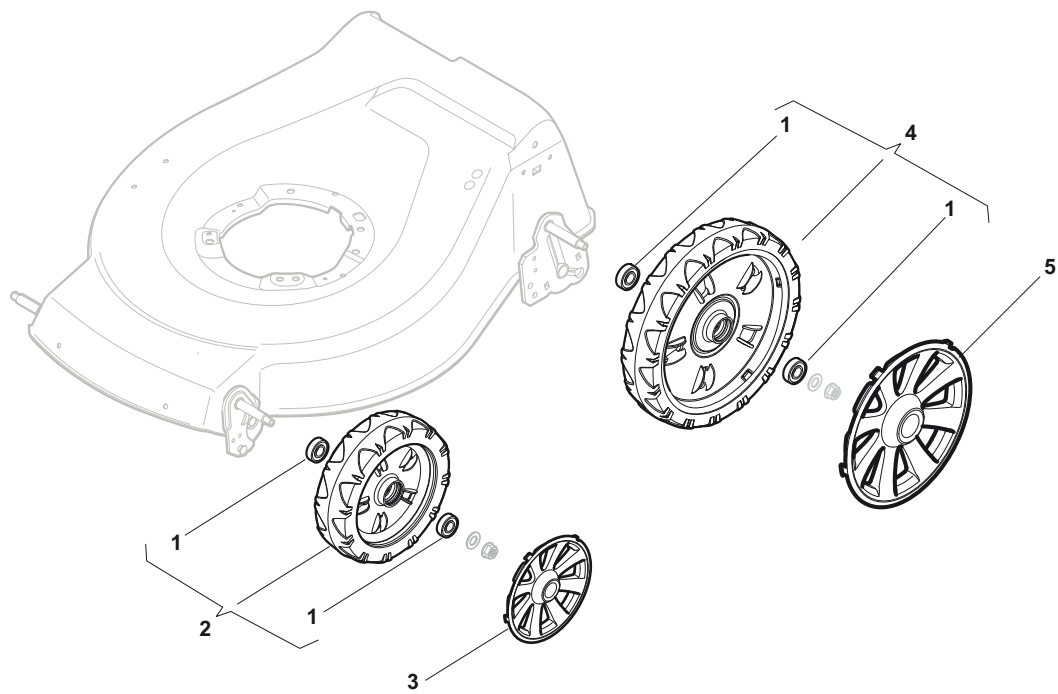
| POSITION | PART No. | Q.Ty | DESCRIPTION | NOTES |
|----------|-------------|------|----------------------------|-------|
| 1 | 381006838/0 | 1 | Handle, Upper Part | |
| 2 | 122430313/0 | 1 | Guide Spring | |
| 3 | 112521330/0 | 1 | Washer | |
| 4 | 112154510/0 | 1 | Nut | |
| 5 | 118390020/0 | 1 | Fairlead | |
| 6 | 181030056/0 | 1 | Cable, Thread Engine Brake | |
| 7 | 322545204/0 | 1 | Fulcrum Pin | |
| 8 | 122041966/0 | 1 | Bush | |
| 9 | 181003300/1 | 1 | Lever, Engine Brake | |
| 10 | 381030092/0 | 1 | Cable, Rear Drive | |
| 11 | 122041966/0 | 1 | Bush | |
| 12 | 181003301/0 | 1 | Lever, Driving | |
| 13 | 122291050/0 | 1 | Handgrip Black | |



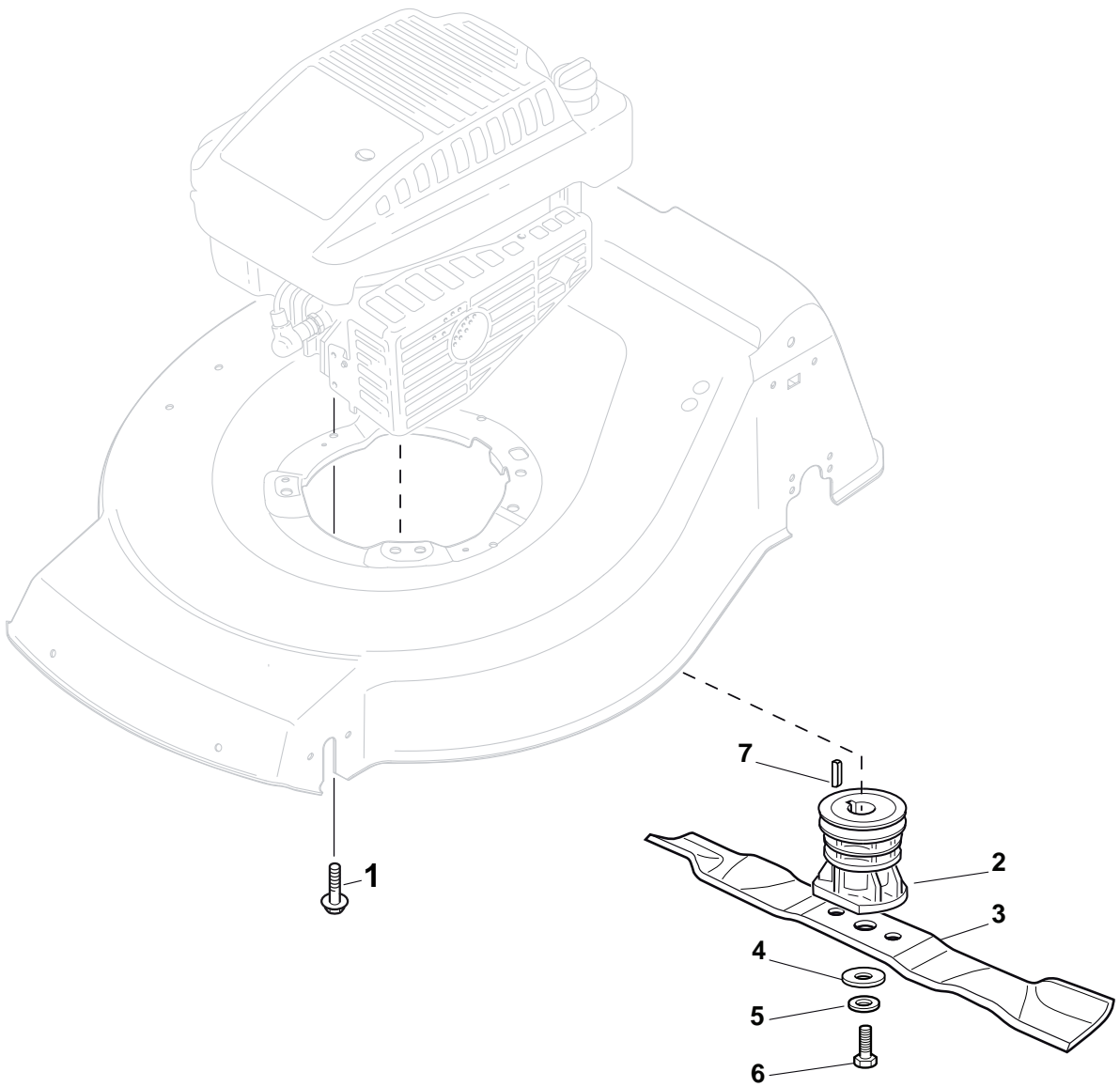
| POSITION | PART No. | Q.Ty | DESCRIPTION | NOTES |
|----------|-------------|------|----------------|-------|
| 1 | 181005525/0 | 1 | Throttle Cable | |
| 2 | 112735103/0 | 1 | Screw | |
| 3 | 112523040/0 | 1 | Washer | |



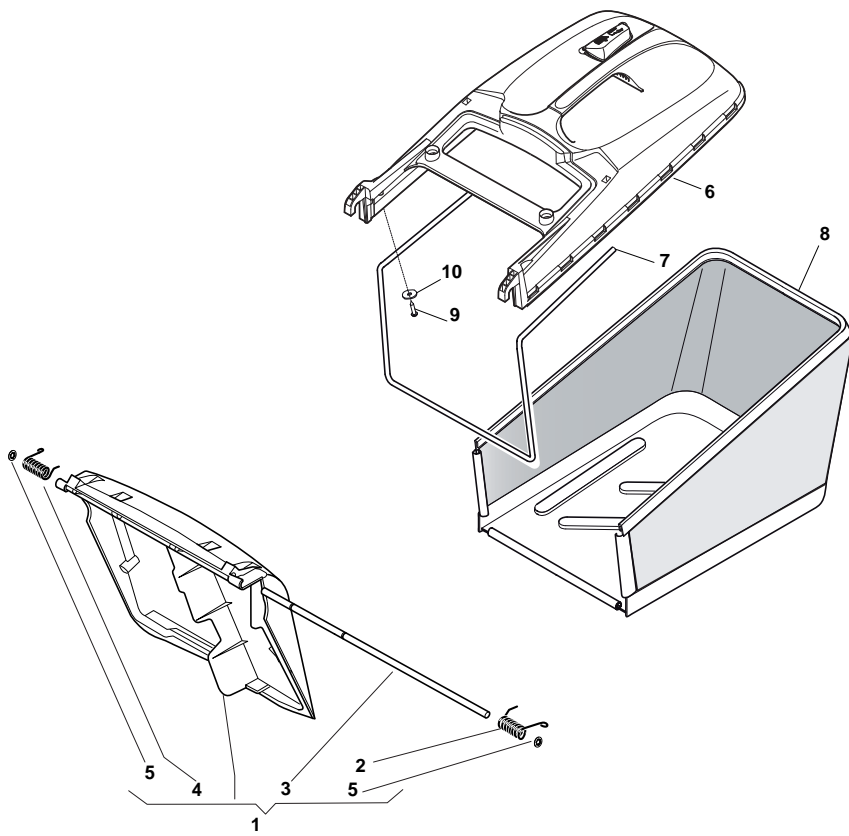
| POSITION | PART No. | Q.Ty | DESCRIPTION | NOTES |
|----------|-------------|------|---------------------------|-------|
| 1 | 112608600/0 | 2 | Seeger | |
| 2 | 119216035/0 | 2 | Bearing | |
| 3 | 122753000/0 | 2 | Pin | |
| 5 | 181003076/1 | 1 | Gear Box G.T. Cone Clutch | |
| 6 | 122601904/0 | 1 | Pulley | |
| 7 | 112645705/0 | 1 | Pin | |
| 8 | 122033283/0 | 1 | Adjustment Rod | |
| 9 | 135063800/0 | 1 | Belt | |
| 11 | 122041957/1 | 1 | Bush | |
| 12 | 122450063/0 | 1 | Spring | |
| 13 | 322680009/0 | 1 | Washer | |
| 14 | 112154510/0 | 1 | Nut | |
| 15 | 122110230/0 | 1 | Cap | |



| POSITION | PART No. | Q.Ty | DESCRIPTION | NOTES |
|----------|-------------|------|----------------|-------|
| 1 | 119216035/0 | 8 | Bearing | |
| 2 | 381007416/2 | 4 | Wheel Ø 200 | |
| 3 | 322110649/0 | 2 | Hub Cap Yellow | |
| 4 | 381007417/2 | 2 | Wheel Ø 280 | |
| 5 | 322110650/0 | 2 | Hub Cap Yellow | |



| POSITION | PART No. | Q.Ty | DESCRIPTION | NOTES |
|----------|-------------|------|------------------------------------|-------|
| 1 | 112735108/1 | 3 | Screw | |
| 2 | 122465607/3 | 1 | Hub With Pulley, Crankshaft Ø 22.2 | |
| 3 | 181004381/1 | 1 | Blade Standard | |
| 4 | 122160400/0 | 1 | Elastic Washer | |
| 5 | 112523080/0 | 1 | Washer | |
| 6 | 112735698/0 | 1 | Screw | |
| 7 | 112139100/0 | 1 | Feather, Crankshaft Ø 22.2 | |



| POSITION | PART No. | Q.Ty | DESCRIPTION | NOTES |
|----------|-------------|------|-----------------------|-------|
| 1 | 381008082/2 | 1 | Stone-Guard Yellow | |
| 2 | 122450466/0 | 1 | L Spring | |
| 3 | 122517882/0 | 1 | Pin | |
| 4 | 122450465/0 | 1 | R Spring | |
| 5 | 112604899/0 | 2 | Crown Fastener | |
| 6 | 381486012/0 | 6 | Grass-Box, Upper Part | |
| 7 | 122608525/0 | 1 | Stiffening Lower | |
| 8 | 181002211/0 | 1 | Box, Fabric | |
| 9 | 112728680/0 | 2 | Screw | |
| 10 | 112523050/0 | 2 | Washer | |