

Genuine Spare Parts

www.stiga.com

COMBI 36 AE

- Use GLOBAL GARDEN PRODUCT Genuine Spare Parts specified in the parts list for repair and/or replacement.
- The contents described in the parts list may change due to improvement.
- The drawings of the spare parts are only indicative and might not represent the part in question exactly.
- The indications "right" - "left" - "front" - "rear" refer to the position of the operator when using the machine.
- When placing orders of parts for repair and/or replacement, make sure that the illustrated parts list is the one applying to the machine's year of manufacture, as shown on the identification plate attached to the machine.

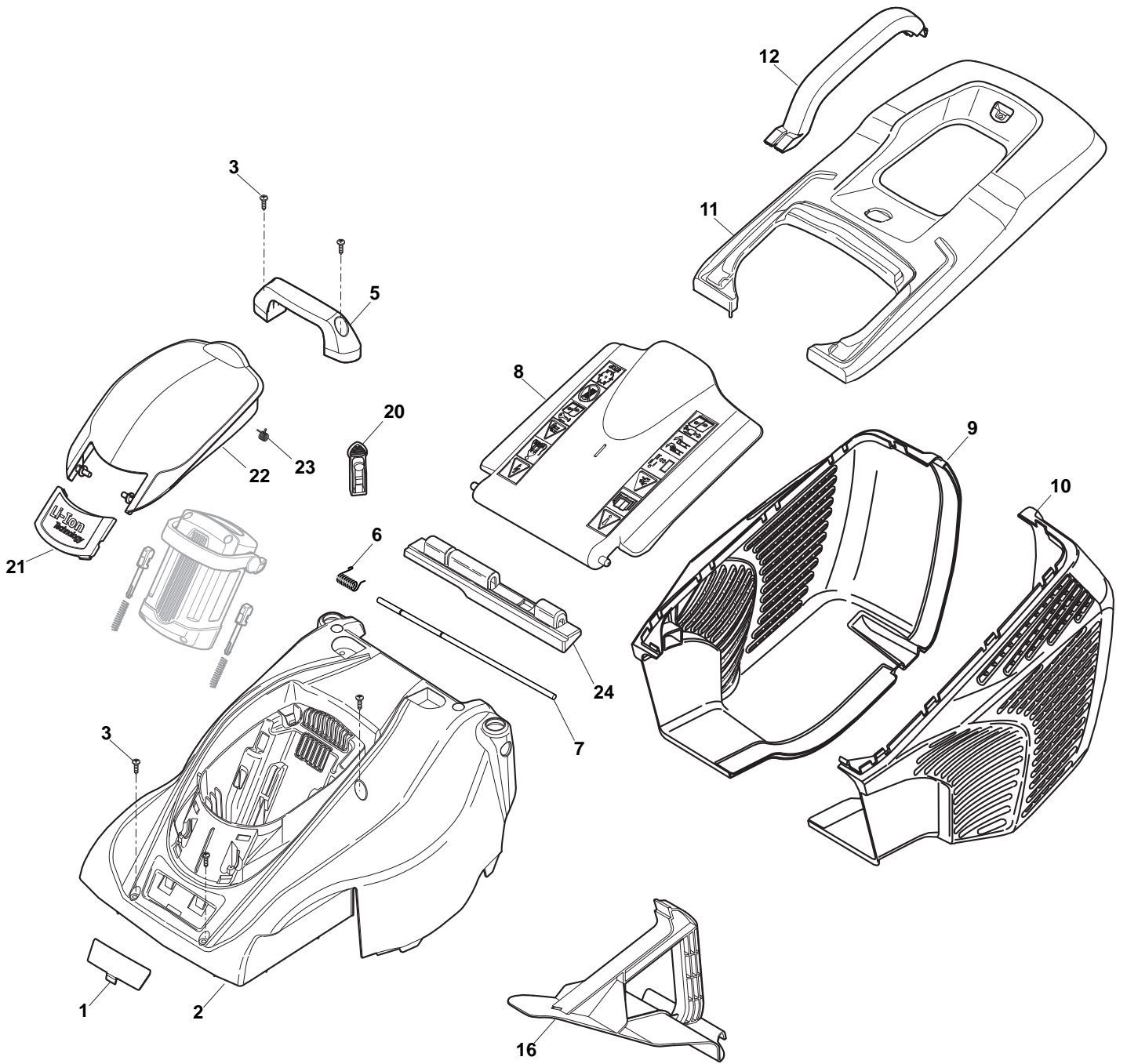
© Copyright 2013 Global Garden Products

All content is subject to copyright by Global Garden Products and may not be reproduced in whole or in part by any means, electronic or otherwise, without prior written approval.

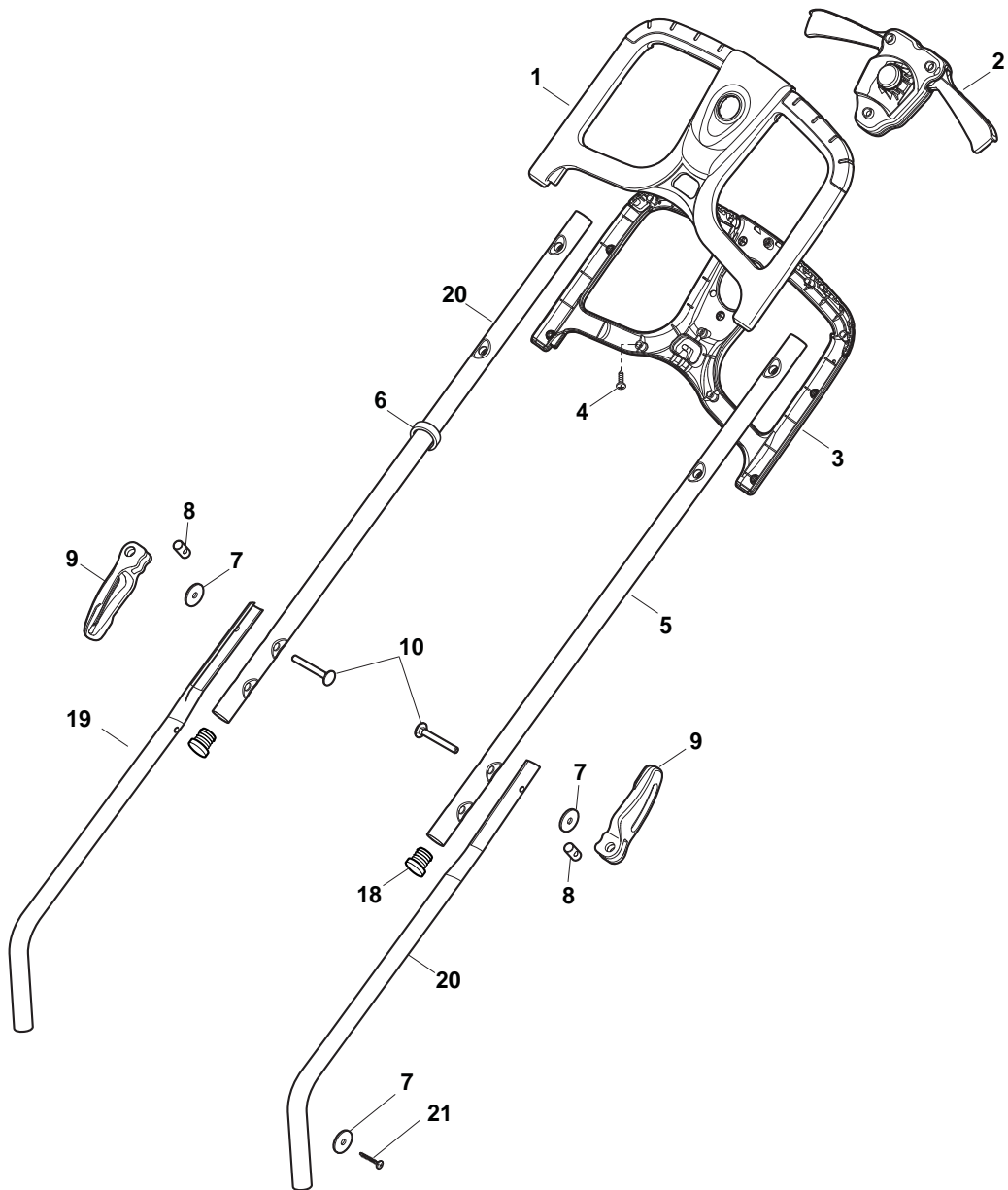
THIS INFORMATION IS NOT INTENDED FOR SALE OR RESALE, AND THIS NOTICE MUST REMAIN ON ALL COPIES.



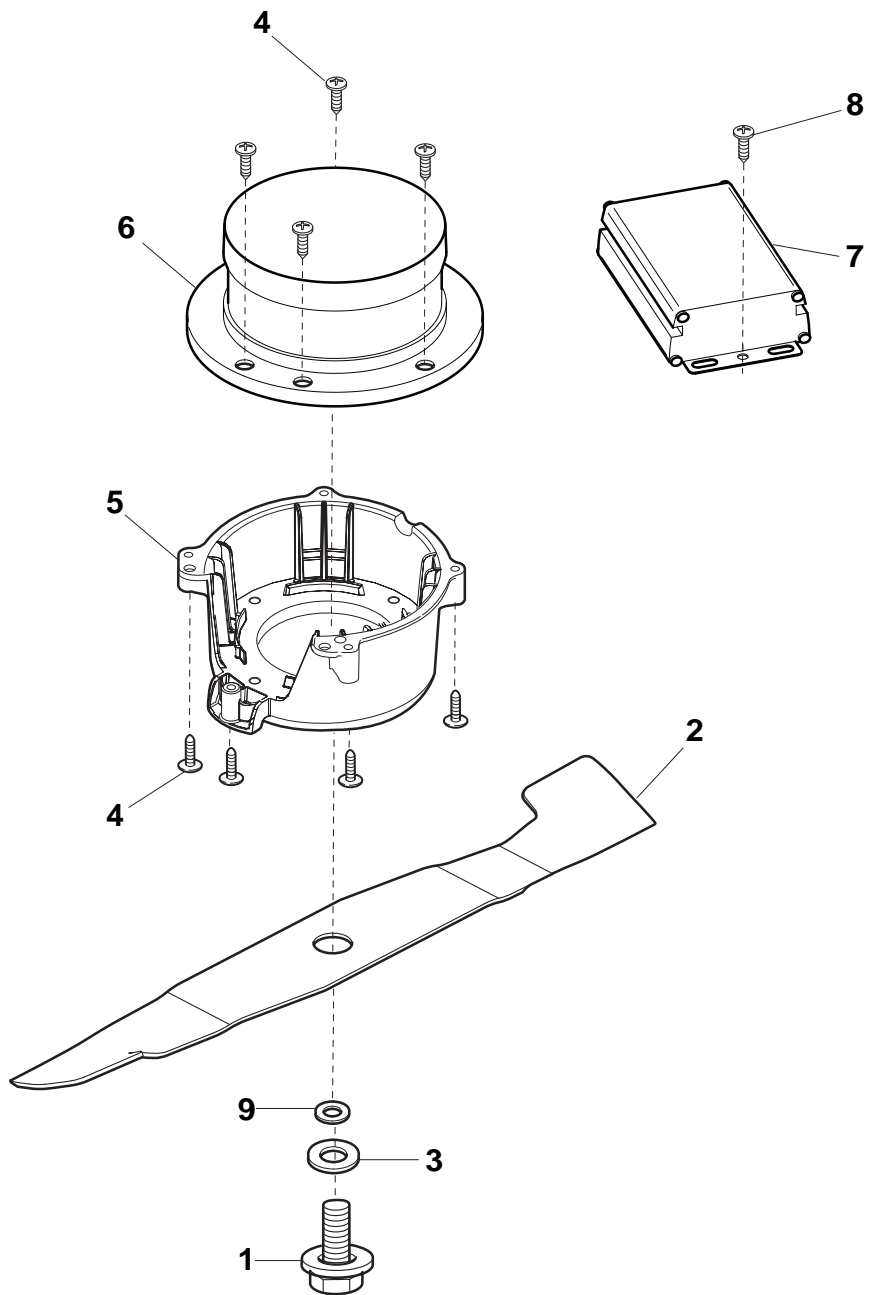
| POSITION | PART No. | Q.Ty | DESCRIPTION | NOTES |
|----------|-------------|------|--------------------------|-------|
| 1 | 322066759/0 | 1 | Deck Grey | |
| 2 | 322785426/0 | 1 | Support, Wheels | |
| 3 | 322686107/0 | 2 | Wheel Ø 170 | |
| 4 | 322110730/0 | 2 | Hub Cap Yellow | |
| 5 | 112604903/0 | 4 | Crown Fastener | |
| 6 | 122033422/0 | 1 | Axle, Wheels | |
| 7 | 322545142/0 | 2 | Plate | |
| 8 | 112728714/0 | 8 | Screw | |
| 9 | 322785430/0 | 1 | Lever, Height Adjustment | |
| 10 | 322524354/0 | 1 | Pin | |
| 11 | 122450425/0 | 1 | Spring | |
| 12 | 322869687/0 | 1 | Rod, Height Adjustment | |
| 13 | 322785415/0 | 2 | Plate | |
| 14 | 122033422/0 | 1 | Axle, Wheels | |
| 15 | 322785429/0 | 1 | Support, Wheels Grey | |
| 16 | 322686106/0 | 2 | Wheel Ø 140 | |
| 17 | 322110699/0 | 2 | Hub Cap Yellow | |
| 18 | 322785428/0 | 1 | Support, Wheels | |



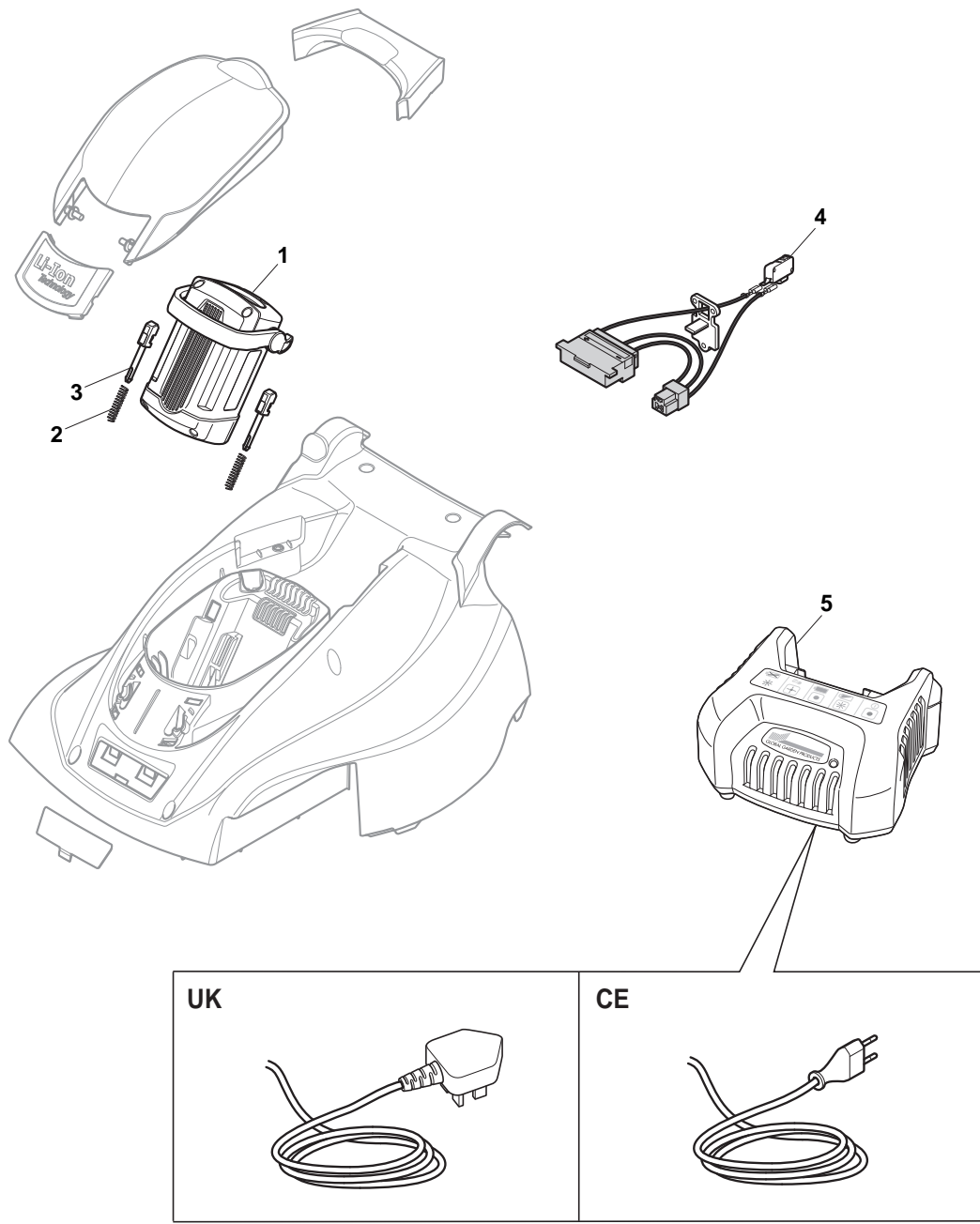
| POSITION | PART No. | Q.Ty | DESCRIPTION | NOTES |
|----------|-------------|------|------------------------|-------|
| 1 | 322055168/0 | 1 | Frontal Plate | |
| 2 | 322055198/0 | 1 | Deck Red | |
| 2 | 322055223/0 | 1 | Deck Yellow | |
| 3 | 112728714/0 | 10 | Screw | |
| 5 | 322393668/0 | 1 | Handle | |
| 6 | 122450250/0 | 1 | Spring | |
| 7 | 122512603/0 | 1 | Pin | |
| 8 | 322600234/0 | 1 | Stone-Guard | |
| 9 | 322486362/0 | 1 | Grass-Box, R Lower | |
| 10 | 322486361/0 | 1 | Grass-Box, L Lower | |
| 11 | 322486360/0 | 1 | Grass-Box, Upper | |
| 12 | 322393656/0 | 1 | Handle | |
| 16 | 322140241/0 | 1 | Mulching Plug | |
| 20 | 322076570/0 | 1 | Battery Safety Key | |
| 21 | 322545222/0 | 1 | Battery door fix plate | |
| 22 | 322055167/0 | 1 | Cover | |
| 23 | 122450473/0 | 1 | Spring | |
| 24 | 322600271/0 | 1 | Stone Guard Support | |



| POSITION | PART No. | Q.Ty | DESCRIPTION | NOTES |
|----------|-------------|------|----------------------------|-------|
| 1 | 322291064/0 | 1 | Upper Half Handgrip Switch | |
| 2 | 381600540/0 | 1 | Dead Hand Switch | |
| 3 | 322291065/0 | 1 | Lower Half Handgrip Switch | |
| 4 | 112728713/0 | 11 | Screw | |
| 5 | 381007532/0 | 2 | Handle, Upper Part | |
| 6 | 122192000/1 | 1 | Clamp | |
| 7 | 112523050/0 | 4 | Washer | |
| 8 | 122524352/0 | 2 | Pin | |
| 9 | 322319520/0 | 2 | Fixing Lever Handle | |
| 10 | 122943016/0 | 2 | Screw | |
| 18 | 118566116/0 | 2 | Cap | |
| 19 | 381007529/0 | 1 | Right Handle, Lower Part | |
| 20 | 381007530/0 | 1 | Left Handle, Lower Part | |
| 21 | 112728450/0 | 2 | Screw | |



| POSITION | PART No. | Q.Ty | DESCRIPTION | NOTES |
|----------|-------------|------|---------------|-------|
| 1 | 112793312/0 | 1 | Screw | |
| 2 | 181004157/0 | 1 | Blade | |
| 3 | 122671651/0 | 1 | Washer | |
| 4 | 112728699/0 | 8 | Screw | |
| 5 | 322207230/0 | 1 | Flange | |
| 6 | 118563514/0 | 1 | Battery Motor | |
| 7 | 118206002/0 | 1 | Controller | |
| 8 | 112728714/0 | 1 | Screw | |
| 9 | 112508122/0 | 1 | Washer | |



| POSITION | PART No. | Q.Ty | DESCRIPTION | NOTES |
|----------|-------------|------|-----------------|-------|
| 1 | 381600529/0 | 1 | Battery | |
| 2 | 122450472/0 | 1 | Spring | |
| 3 | 322524356/0 | 1 | Pin | |
| 4 | 118210025/0 | 1 | Safety Key Set | |
| 5 | 118204132/1 | 1 | Battery Charger | CE |
| 5 | 118204133/1 | 1 | Battery Charger | UK |