

Genuine Spare Parts

www.stiga.com

COLLECTOR 46

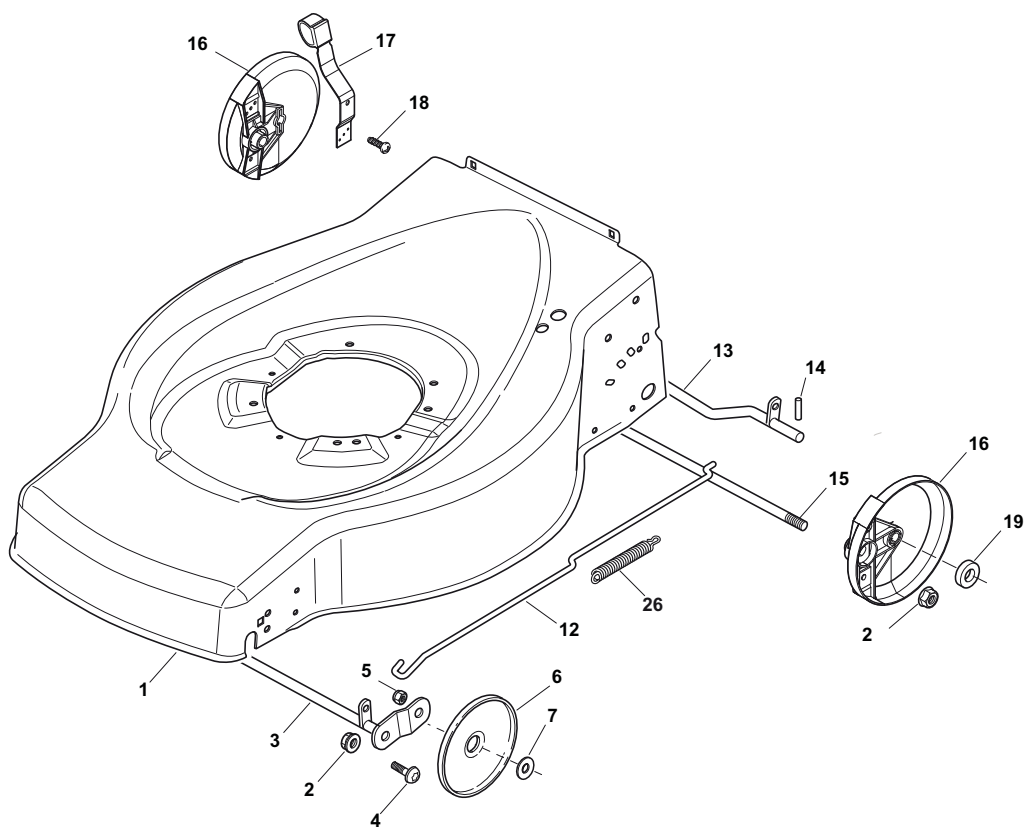
- Use GLOBAL GARDEN PRODUCT Genuine Spare Parts specified in the parts list for repair and/or replacement.
- The contents described in the parts list may change due to improvement.
- The drawings of the spare parts are only indicative and might not represent the part in question exactly.
- The indications "right" - "left" - "front" - "rear" refer to the position of the operator when using the machine.
- When placing orders of parts for repair and/or replacement, make sure that the illustrated parts list is the one applying to the machine's year of manufacture, as shown on the identification plate attached to the machine.

© Copyright 2013 Global Garden Products

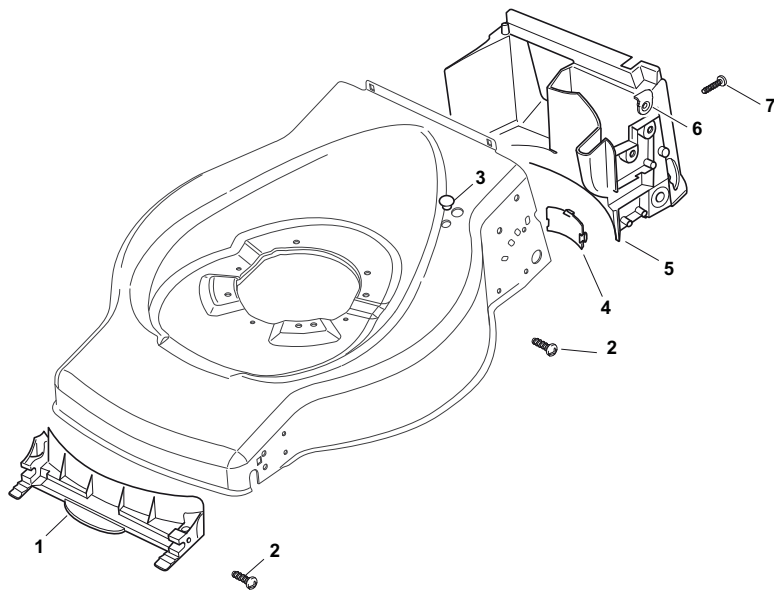
All content is subject to copyright by Global Garden Products and may not be reproduced in whole or in part by any means, electronic or otherwise, without prior written approval.

THIS INFORMATION IS NOT INTENDED FOR SALE OR RESALE, AND THIS NOTICE MUST REMAIN ON ALL COPIES.

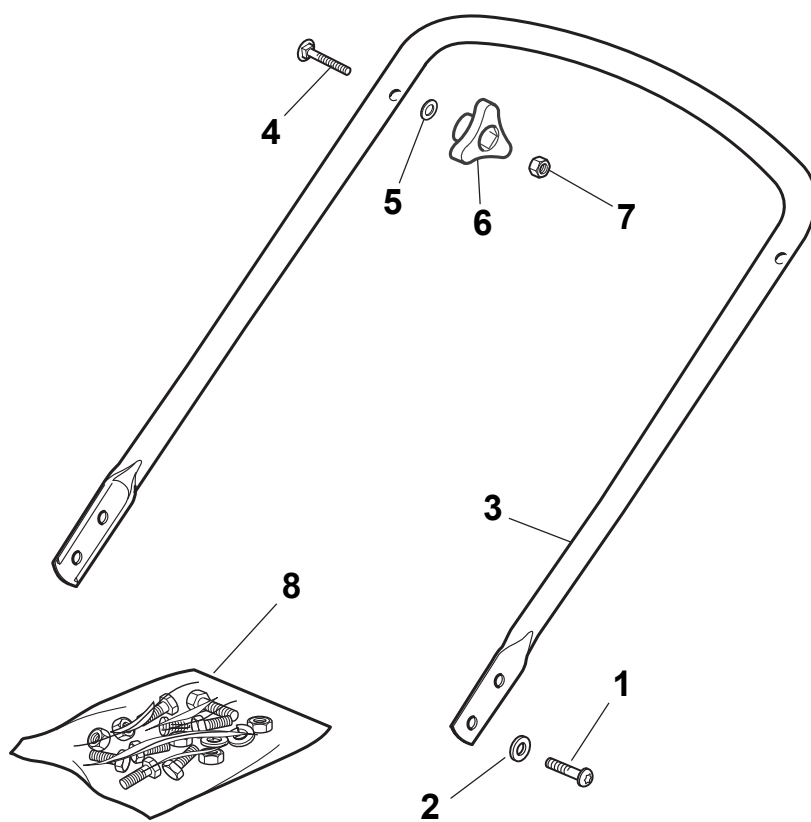




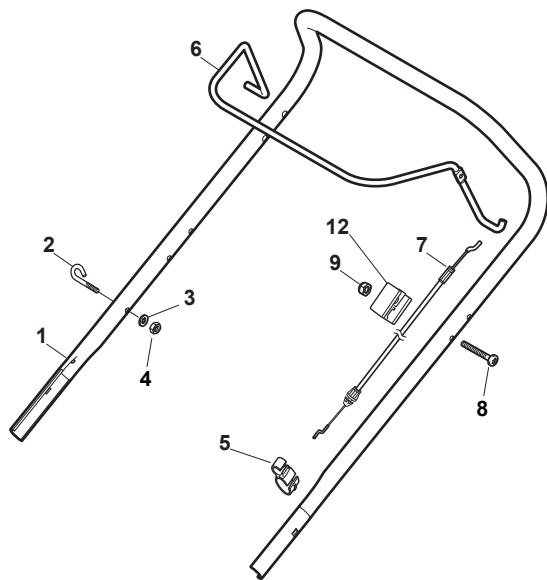
POSITION	PART No.	Q.Ty	DESCRIPTION	NOTES
1	381002538/0	1	Deck Red	
2	122131750/0	4	Nut	
3	381000153/0	1	Axle, Front Wheels	
4	112760600/0	2	Screw	
5	112155000/0	2	Nut	
6	322600095/0	2	Protection, Wheel	
7	325670011/0	2	Washer	
12	122033319/0	1	Adjustment Rod	
13	381000159/0	1	Axle, Rear Wheels	
14	122753001/0	2	Pin	
15	122033369/0	1	Axle, Rear Wheels	
16	322600106/1	2	Protection, Wheel	
17	381003303/0	1	Lever, Height Adjustment	
18	112728689/0	2	Screw	
19	322170622/0	2	Washer	
26	122446186/0	1	Spring	Only 534 Model



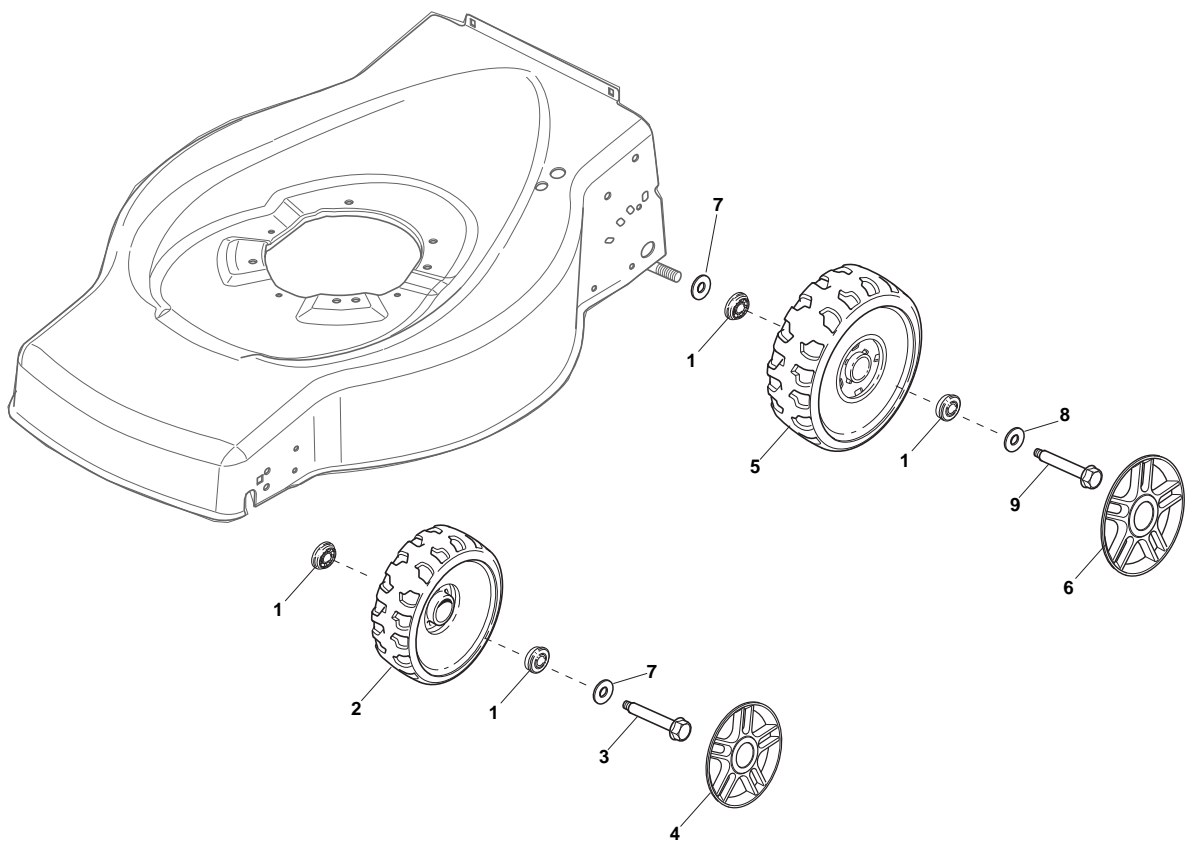
POSITION	PART No.	Q.Ty	DESCRIPTION	NOTES
1	322108271/0	1	Front Conveyor Assy	
2	112728686/0	6	Screw	
3	322820077/0	1	Cap	
4	322109532/0	1	Cover	
5	322108272/2	1	Rear Conveyor Assy	
6	322545189/0	4	Plate	
7	112728686/0	2	Screw	



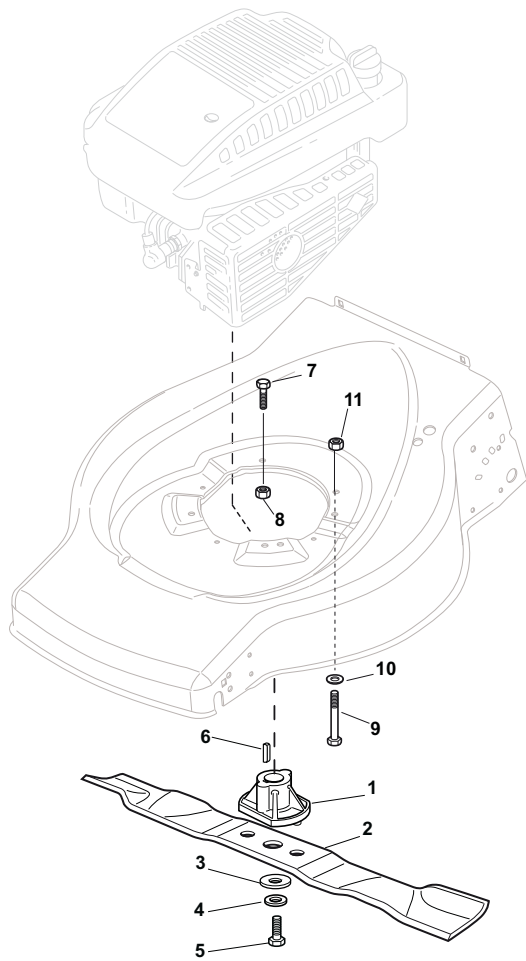
POSITION	PART No.	Q.Ty	DESCRIPTION	NOTES
1	112760605/0	4	Screw	
2	112521350/0	4	Washer	
3	381006570/0	1	Handle, Lower Part	
4	112819120/0	1	Guide Spring	
5	122671651/0	2	Washer	
6	122399900/0	2	Knob	
7	112293200/0	2	Nut	
8	381008696/0	1	Outfit, Screws	



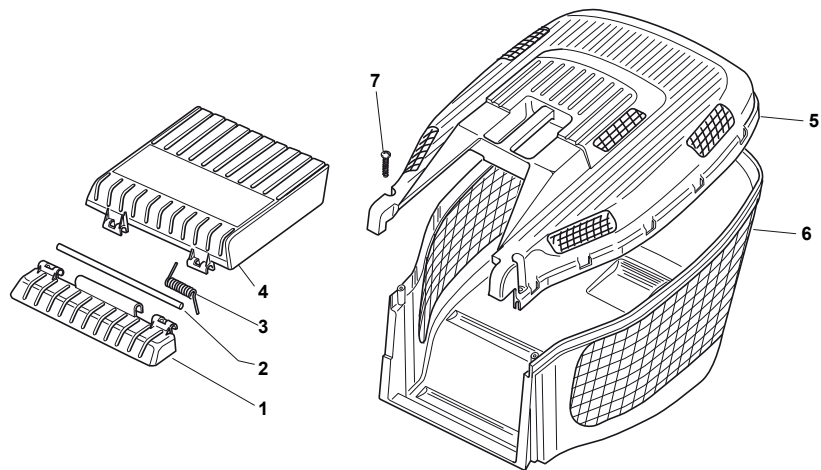
POSITION	PART No.	Q.Ty	DESCRIPTION	NOTES
1	381006739/1	1	Handle, Upper Part	
1	381006745/0	1	Handle, Upper Part with sponge handgrip	
2	122430313/0	1	Guide Spring	
3	112521330/0	1	Washer	
4	112154510/0	1	Nut	
5	118390020/0	1	Fairlead	
6	181003363/1	1	Lever, Engine Brake Black	
7	181030087/0	1	Cable, Thread Engine Brake	
8	112727783/0	1	Screw	
9	112154510/0	1	Nut	
12	322551640/0	1	Plate	



POSITION	PART No.	Q.Ty	DESCRIPTION	NOTES
1	122122200/0	8	Bearing	
2	322686091/1	2	Wheel Ø 165	
3	122524341/0	4	Pin	
4	322110491/0	2	Hub Cap Grey	
5	322686092/0	2	Wheel Ø 190	
6	322110492/0	2	Hub Cap Grey	
7	122675100/0	4	Washer	
9	122524341/0	2	Pin	



POSITION	PART No.	Q.Ty	DESCRIPTION	NOTES
1	122463012/2	1	Hub, Crankshaft Ø 22.2	
2	181004365/3	1	Blade	
3	122160400/0	1	Elastic Washer	
4	112523080/0	1	Washer	
5	112735698/0	1	Screw	
6	112139100/0	1	Feather, Crankshaft Ø 22.2	
7	112793701/0	2	Screw	
8	112293201/0	2	Nut	
9	112691800/0	1	Screw	
10	112521350/0	1	Washer	
11	112155000/0	1	Nut	



POSITION	PART No.	Q.Ty	DESCRIPTION	NOTES
1	322785136/1	1	Support	
2	122517858/0	1	Pin	
3	122450431/0	1	Spring	
4	322600099/2	1	Stone-Guard	
5	322486122/0	1	Grassbox Upper Part	
6	322486128/0	1	Grassbox Lower Part	
7	112728686/0	2	Screw	