

Genuine Spare Parts

www.stiga.com

TURBO X3 50 SB Model Year 2012

- Use GLOBAL GARDEN PRODUCT Genuine Spare Parts specified in the parts list for repair and/or replacement.
- The contents described in the parts list may change due to improvement.
- The drawings of the spare parts are only indicative and might not represent the part in question exactly.
- The indications "right" - "left" - "front" - "rear" refer to the position of the operator when using the machine.
- When placing orders of parts for repair and/or replacement, make sure that the illustrated parts list is the one applying to the machine's year of manufacture, as shown on the identification plate attached to the machine.

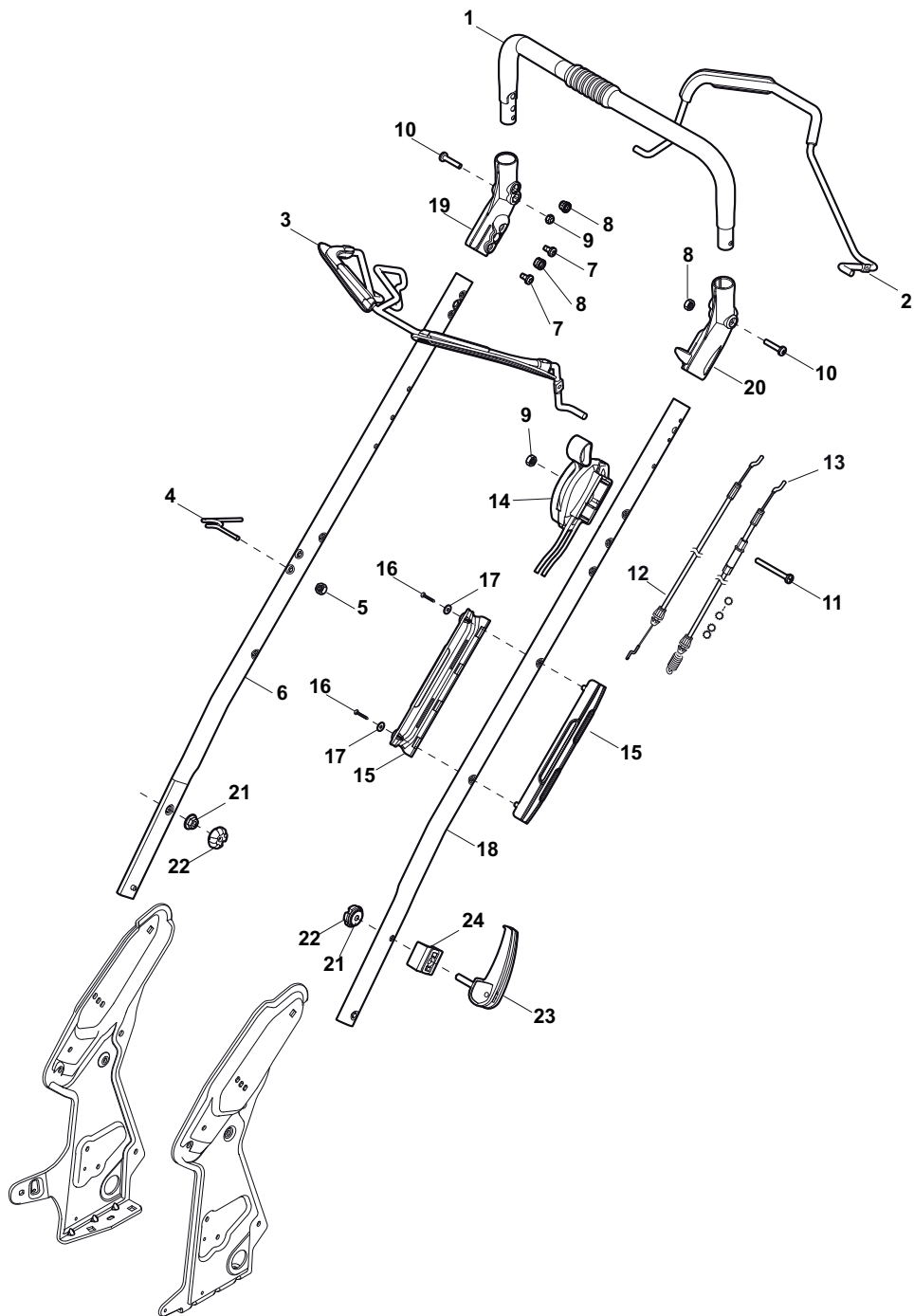
© Copyright 2012 Global Garden Products

All content is subject to copyright by Global Garden Products and may not be reproduced in whole or in part by any means, electronic or otherwise, without prior written approval.

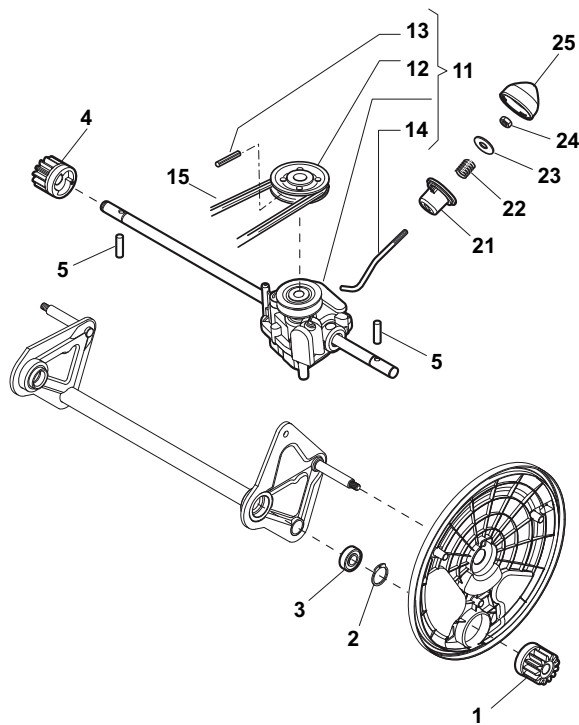
THIS INFORMATION IS NOT INTENDED FOR SALE OR RESALE, AND THIS NOTICE MUST REMAIN ON ALL COPIES.



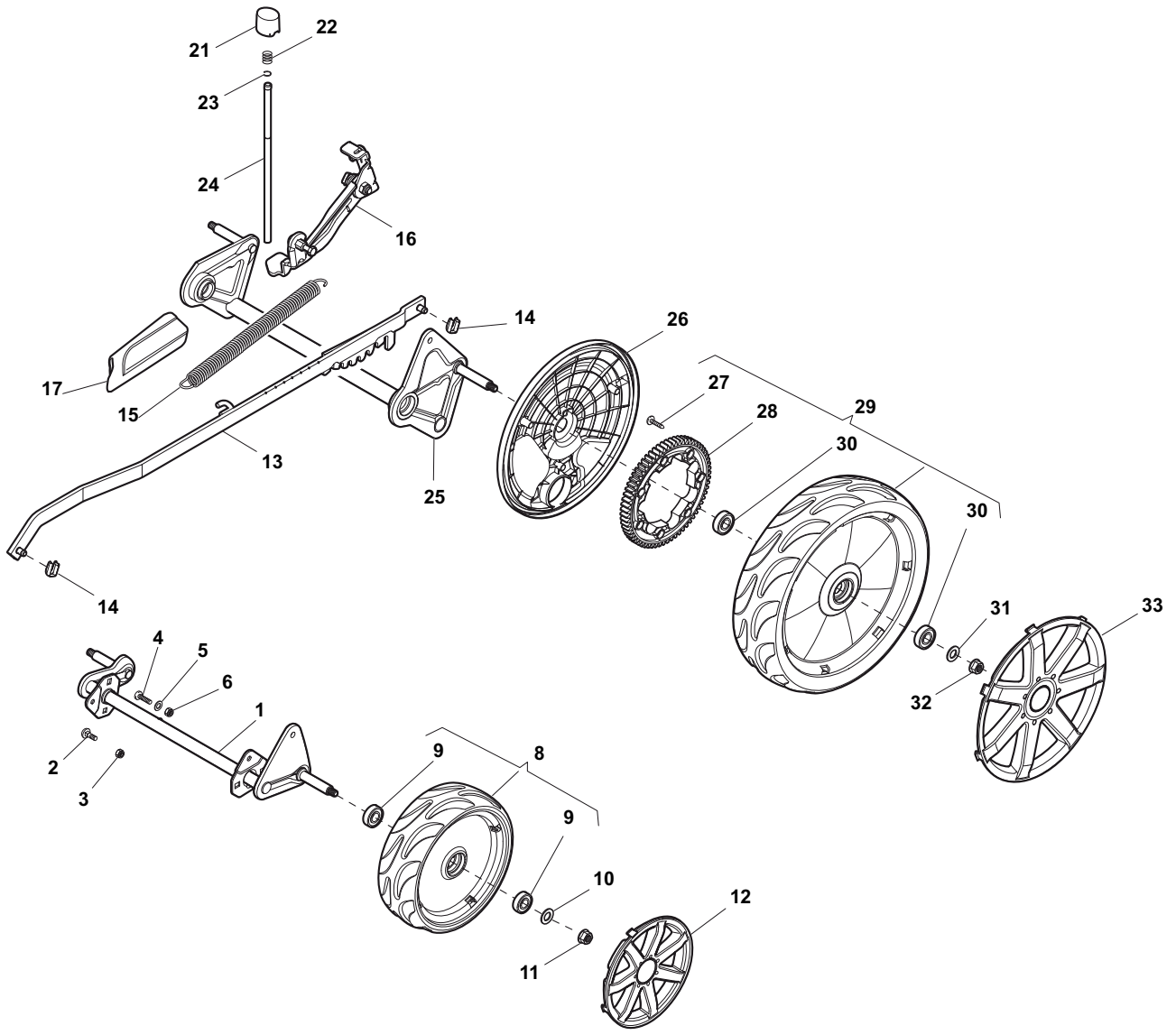
| Position | Part No. | Q.Ty | Description |
|----------|-------------|------|---------------------|
| 1 | 381003865/0 | 1 | Deck Yellow |
| 2 | 322034001/0 | 1 | Washing Connection |
| 3 | 125943004/0 | 5 | Screw |
| 4 | 112815200/0 | 2 | Screw |
| 5 | 322108297/0 | 1 | Conveyor Yellow |
| 6 | 112437507/0 | 12 | Plate |
| 7 | 112727802/0 | 8 | Screw |
| 8 | 381545321/0 | 1 | Rear Plate |
| 9 | 322785282/0 | 1 | Support |
| 10 | 381545327/0 | 1 | Bracket, L |
| 11 | 322545191/0 | 1 | Support |
| 12 | 112727803/0 | 2 | Screw |
| 13 | 12154510/0 | 4 | Nut |
| 14 | 12521330/0 | 1 | Washer |
| 15 | 12815200/0 | 1 | Screw |
| 16 | 12818690/0 | 4 | Screw |
| 17 | 12521350/0 | 4 | Washer |
| 18 | 12155000/0 | 4 | Nut |
| 19 | 12729601/1 | 2 | Screw |
| 21 | 381545325/0 | 1 | Bracket, R |
| 22 | 112735662/1 | 2 | Screw |
| 23 | 122534128/0 | 2 | Pin |
| 25 | 381393701/0 | 2 | Protection |
| 26 | 12815205/0 | 2 | Screw |
| 27 | 12154510/0 | 2 | Nut |
| 28 | 381102202/0 | 1 | Protection Mulching |
| 29 | 125943004/0 | 2 | Screw |
| 30 | 112735115/0 | 3 | Screw |
| 31 | 322500052/1 | 1 | Shoe |
| 32 | 12731580/0 | 2 | Screw |
| 33 | 12521331/0 | 2 | Washer |
| 34 | 381003338/0 | 1 | Lever |
| 35 | 21660100/0 | 1 | Washer |
| 36 | 12521370/0 | 1 | Washer |
| 37 | 12293201/0 | 1 | Nut |
| 38 | 322320009/0 | 1 | Lever |
| 39 | 122042022/0 | 1 | Bush |
| 40 | 125943004/0 | 3 | Screw |
| 41 | 322109826/0 | 1 | Guard Black |
| 42 | 322109825/0 | 1 | Guard Black |
| 45 | 322500100/0 | 1 | Air Intake Grill |
| 46 | 112728706/0 | 6 | Screw |
| 48 | 322226138/0 | 1 | Mask, Black |
| 49 | 112727801/0 | 2 | Screw |
| 50 | 112815270/0 | 2 | Screw |
| 51 | 122671664/0 | 2 | Spacer |
| 52 | 12540040/0 | 2 | Washer |
| 53 | 325160039/0 | 6 | Spacer |
| 54 | 112794986/0 | 1 | Screw |
| 55 | 112727799/0 | 2 | Screw |
| 56 | 12521350/0 | 1 | Washer |
| 57 | 12155000/0 | 1 | Nut |
| 58 | 381608501/0 | 1 | Stiffening Lower |
| 59 | 18203853/0 | 1 | Protection |



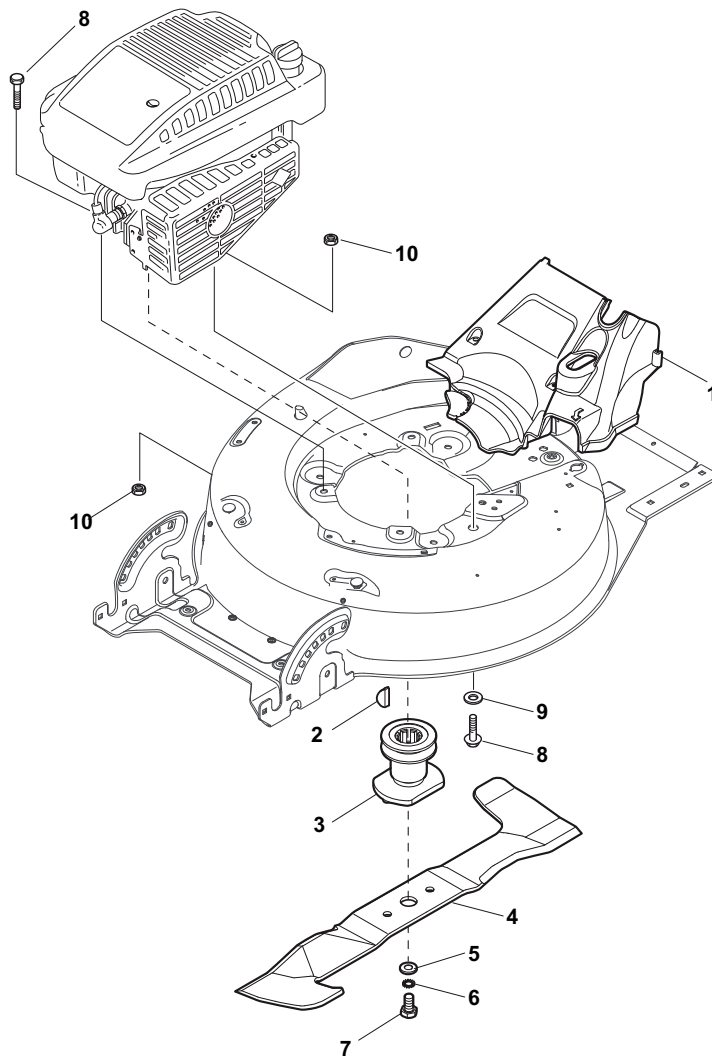
| Position | Part No. | Q.Ty | Description |
|----------|-------------|------|--------------------------|
| 1 | 381006670/2 | 1 | Handgrip |
| 2 | 381003349/0 | 1 | Lever, Driving |
| 3 | 381003344/0 | 1 | Lever, Engine Brake |
| 4 | 22430309/0 | 1 | Guide Spring |
| 5 | 12154330/0 | 1 | Nut |
| 6 | 381006895/0 | 1 | Handle Black, R |
| 7 | 112735662/1 | 4 | Screw |
| 8 | 322041967/0 | 4 | Bush |
| 9 | 12154510/0 | 3 | Nut |
| 10 | 112728721/0 | 2 | Screw |
| 11 | 12727786/0 | 1 | Screw |
| 12 | 181030065/0 | 1 | Cable, Thread Eng. Brake |
| 13 | 381030067/0 | 1 | Cable, Rear Drive |
| 14 | 181005502/1 | 1 | Throttle Cable |
| 15 | 322806644/0 | 1 | Protection |
| 16 | 12727812/0 | 2 | Screw |
| 17 | 112523000/1 | 2 | Washer |
| 18 | 381006897/0 | 1 | Handle Black, L |
| 19 | 322488301/0 | 1 | Support |
| 20 | 322488303/0 | 1 | Support |
| 21 | 112154220/0 | 2 | Nut |
| 22 | 322399835/0 | 2 | Knob |
| 23 | 381003253/0 | 2 | Handle |
| 24 | 322680017/0 | 2 | Support |



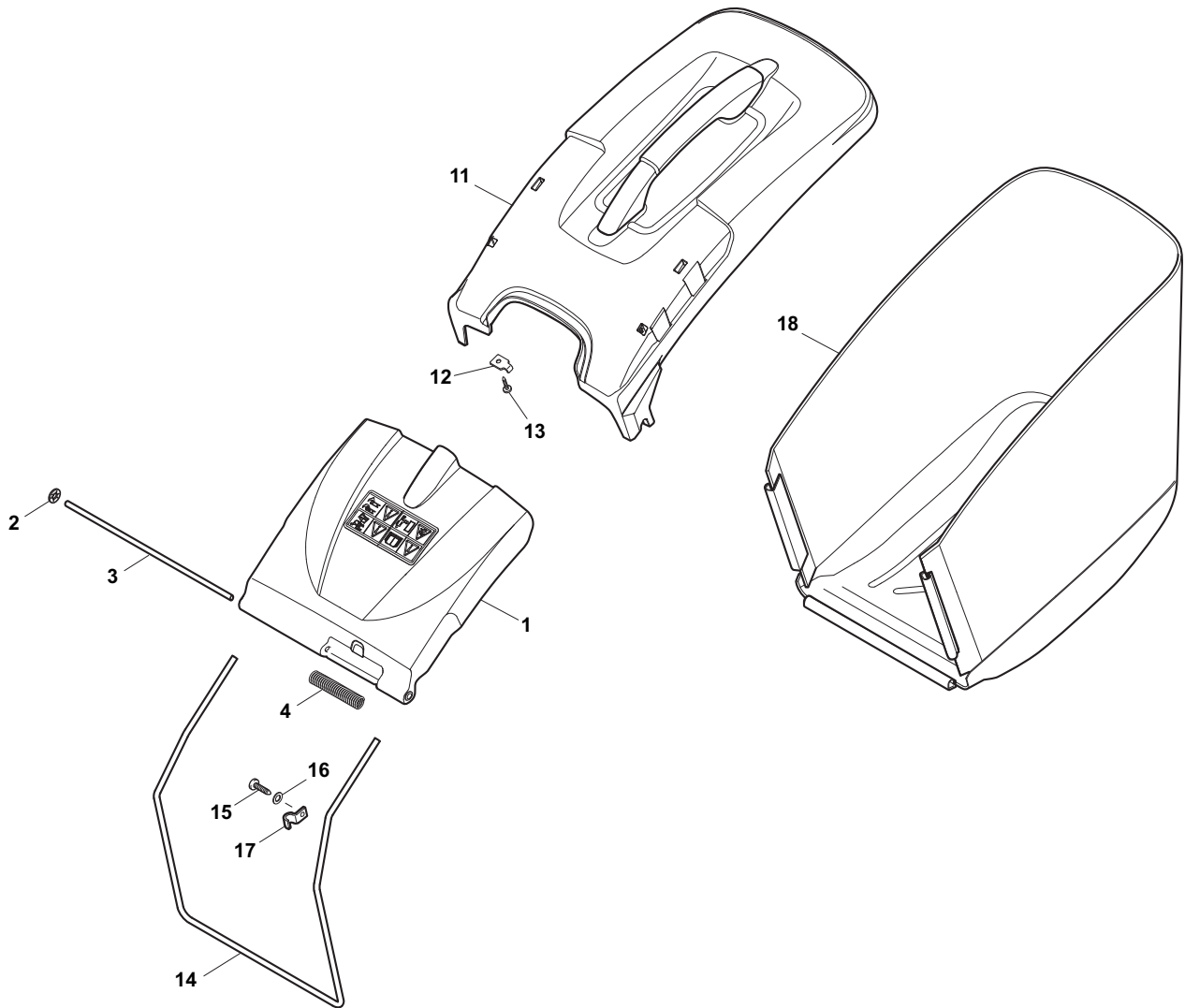
| Position | Part No. | Q.Ty | Description |
|----------|-------------|------|----------------|
| 1 | 122570132/0 | 1 | Pinion L |
| 2 | 12608600/0 | 4 | Seeger |
| 3 | 19216035/0 | 2 | Bearing |
| 4 | 122570131/0 | 1 | Pinion R |
| 5 | 22753000/0 | 2 | Pin |
| 11 | 181003106/0 | 1 | Gear Box |
| 12 | 122601908/1 | 1 | Pulley |
| 13 | 12645705/0 | 1 | Pin |
| 14 | 122033290/0 | 1 | Adjustment Rod |
| 15 | 135064391/0 | 1 | Belt X 10 |
| 21 | 22041957/1 | 1 | Bush |
| 22 | 22450063/0 | 1 | Spring |
| 23 | 22680009/0 | 1 | Washer |
| 24 | 12154510/0 | 1 | Nut |
| 25 | 322109550/0 | 1 | Cap |



| Position | Part No. | Q.Ty | Description |
|----------|-------------|------|--------------------------|
| 1 | 381002869/1 | 1 | Axle, Front Wheels |
| 2 | 12815205/0 | 4 | Screw |
| 3 | 12154510/0 | 4 | Nut |
| 4 | 112727799/0 | 2 | Screw |
| 5 | 12523040/0 | 2 | Washer |
| 6 | 12154510/0 | 2 | Nut |
| 8 | 381007394/1 | 2 | Wheel Ø 210 |
| 9 | 19216035/0 | 4 | Bearing |
| 10 | 12521350/0 | 2 | Washer |
| 11 | 12155000/0 | 2 | Nut |
| 12 | 322110597/0 | 2 | Hub Cap |
| 13 | 381002034/0 | 1 | Rod, Height Adjustment |
| 14 | 112436051/0 | 2 | Plate |
| 15 | 122450459/1 | 1 | Spring |
| 16 | 381003337/1 | 1 | Lever, Height Adjustment |
| 17 | 322570202/0 | 1 | Cover |
| 21 | 322602012/1 | 1 | Button |
| 22 | 122450462/0 | 1 | Spring |
| 23 | 12000930/0 | 1 | Snap Ring |
| 24 | 122033351/1 | 1 | Rod |
| 25 | 381002899/0 | 1 | Axle, Rear Wheels |
| 26 | 322600179/0 | 2 | Protection, Wheel |
| 27 | 12728691/0 | 6 | Screw |
| 28 | 322120113/0 | 2 | Ring Gear |
| 29 | 381007398/1 | 2 | Wheel Ø 300 |
| 30 | 19216035/0 | 4 | Bearing |
| 31 | 12521350/0 | 2 | Washer |
| 32 | 12155000/0 | 2 | Nut |
| 33 | 322110598/0 | 2 | Hub Cap |



| Position | Part No. | Q.Ty | Description |
|----------|-------------|------|----------------------------------|
| 1 | 322060230/0 | 1 | Protection |
| 2 | 12139100/0 | 1 | Feather, Crankshaft Ø 22.2 |
| 3 | 22465607/2 | 1 | Hub With Pulley, Crankshaft Ø 22 |
| 4 | 181004451/0 | 1 | Blade Standard |
| 5 | 22160400/0 | 1 | Elastic Washer |
| 6 | 12523080/0 | 1 | Washer |
| 7 | 12736815/0 | 1 | Screw |
| 8 | 12691800/0 | 1 | Screw |
| 8 | 12691100/0 | 2 | Screw |
| 9 | 12521350/0 | 1 | Washer |
| 10 | 12154210/0 | 3 | Nut |



| Position | Part No. | Q.Ty | Description |
|----------|-------------|------|------------------|
| 1 | 322600180/4 | 1 | Stone-Guard |
| 2 | 12604899/0 | 2 | Crown Fastener |
| 3 | 122517863/0 | 1 | Pin |
| 4 | 122450455/1 | 1 | Spring |
| 11 | 381486007/0 | 1 | Grass-Box, Upper |
| 12 | 322545159/0 | 2 | Plate |
| 13 | 12728689/0 | 2 | Screw |
| 14 | 122608542/0 | 1 | Stiffening Lower |
| 15 | 12728689/0 | 2 | Screw |
| 16 | 12521320/0 | 2 | Washer |
| 17 | 325774220/0 | 2 | Plate |
| 18 | 181002302/2 | 1 | Box, Fabric |