

# Genuine Spare Parts

www.stiga.com

## TURBO POWER 53 SH Model Year 2012

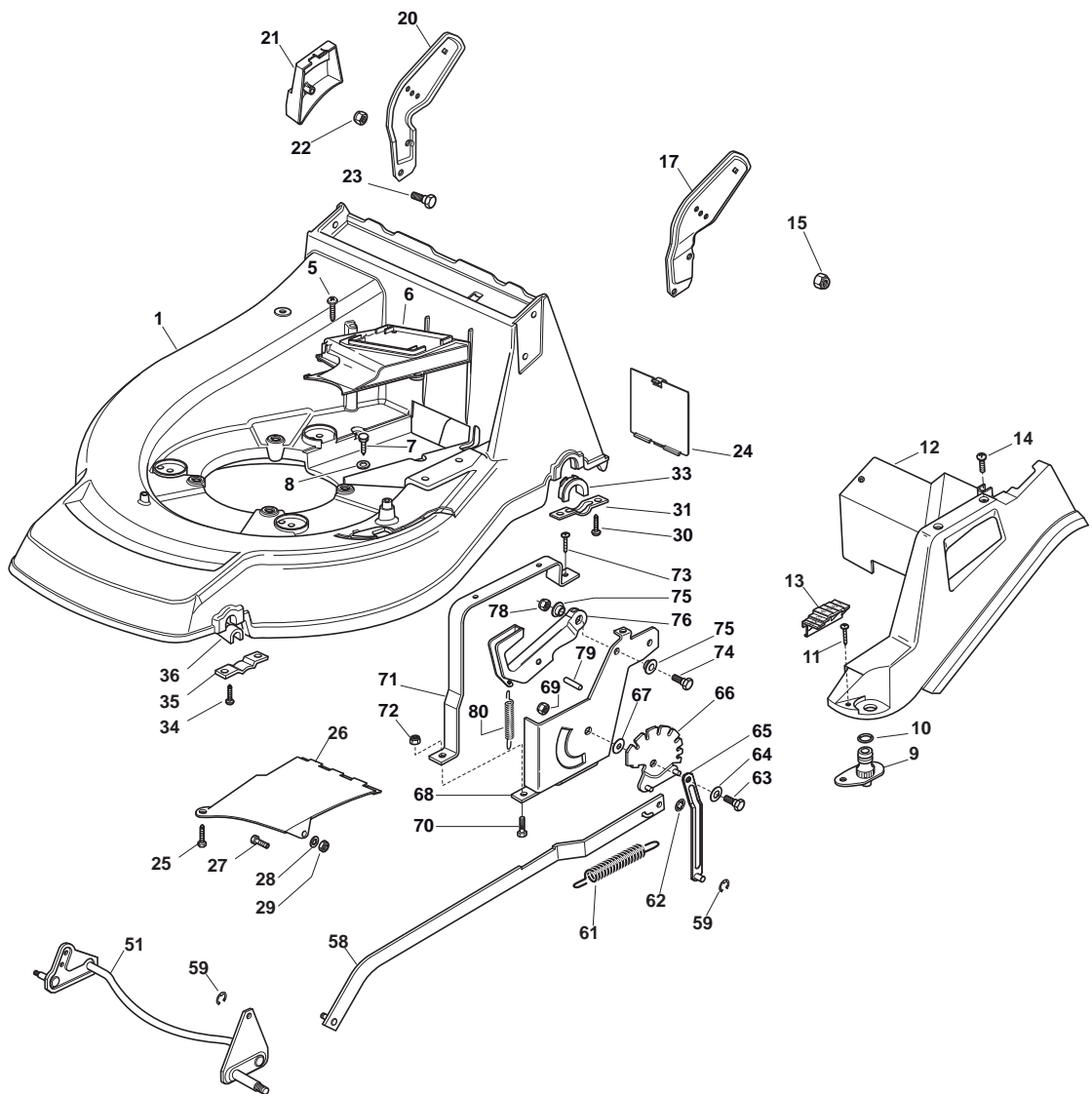
- Use GLOBAL GARDEN PRODUCT Genuine Spare Parts specified in the parts list for repair and/or replacement.
- The contents described in the parts list may change due to improvement.
- The drawings of the spare parts are only indicative and might not represent the part in question exactly.
- The indications "right" - "left" - "front" - "rear" refer to the position of the operator when using the machine.
- When placing orders of parts for repair and/or replacement, make sure that the illustrated parts list is the one applying to the machine's year of manufacture, as shown on the identification plate attached to the machine.

© Copyright 2012 Global Garden Products

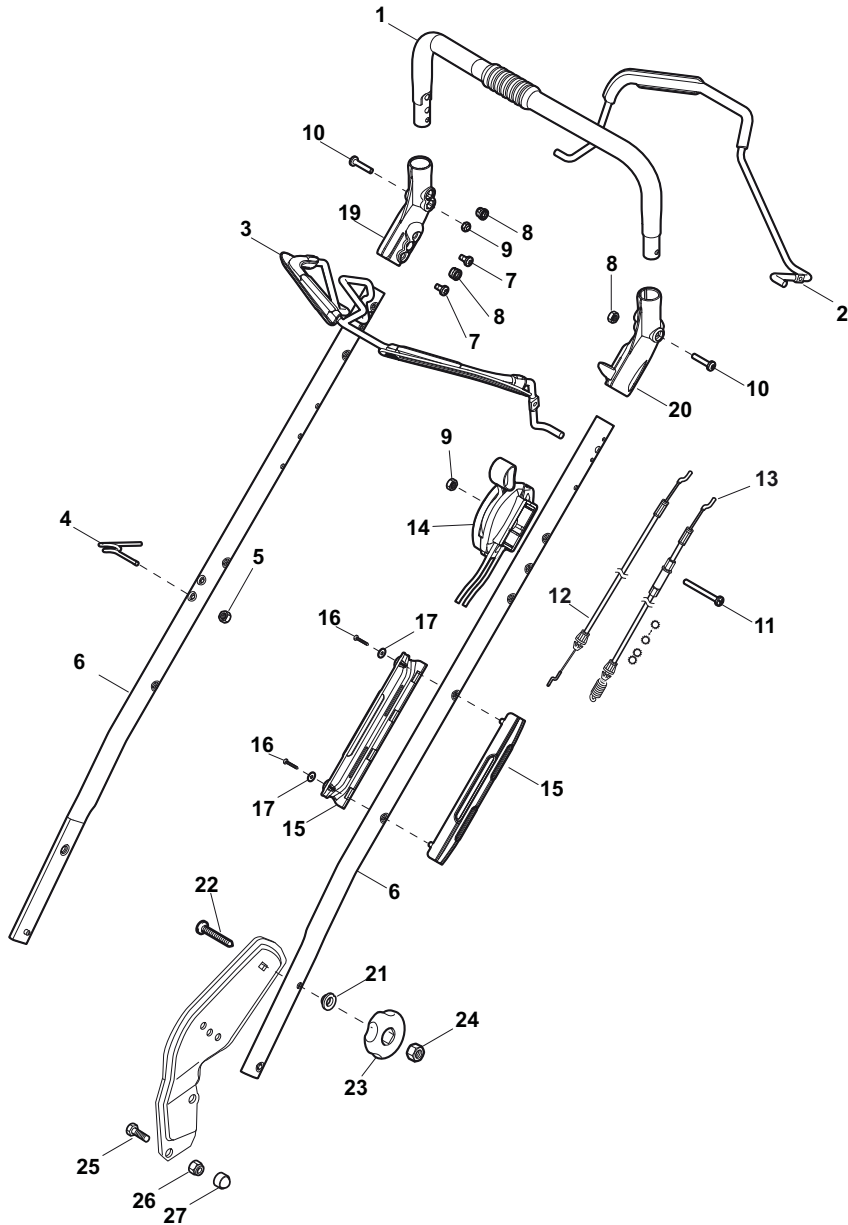
All content is subject to copyright by Global Garden Products and may not be reproduced in whole or in part by any means, electronic or otherwise, without prior written approval.

THIS INFORMATION IS NOT INTENDED FOR SALE OR RESALE, AND THIS NOTICE MUST REMAIN ON ALL COPIES.

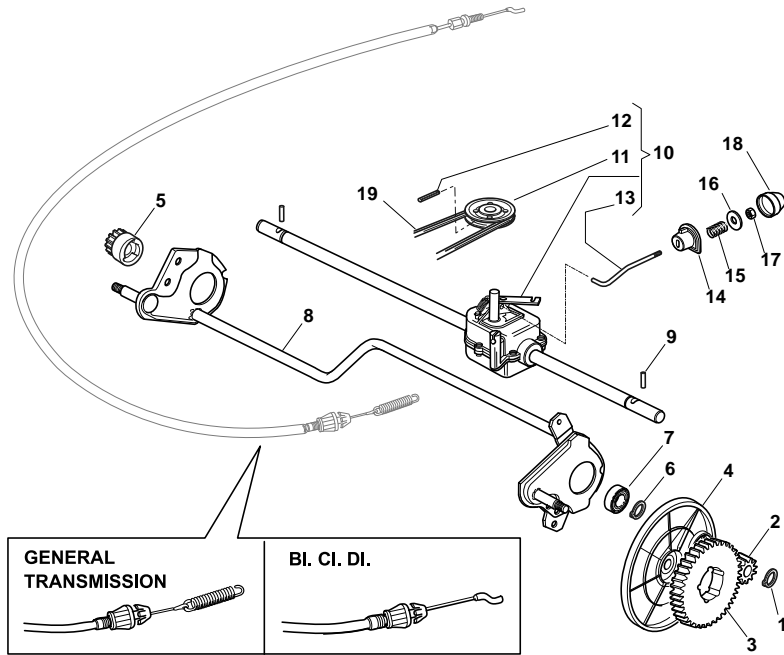




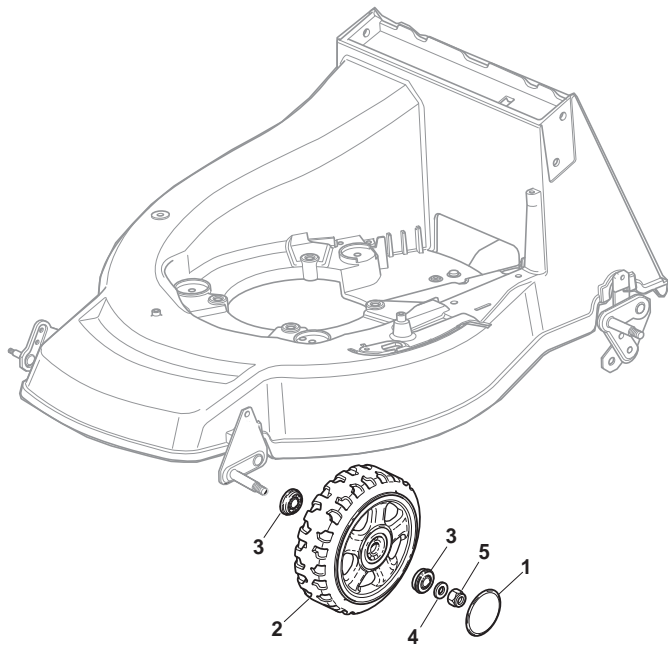
| Position | Part No.    | Q.Ty | Description                |
|----------|-------------|------|----------------------------|
| 1        | 381003543/1 | 1    | Deck Red                   |
| 5        | 12728522/0  | 2    | Screw                      |
| 6        | 22060200/1  | 1    | Protection, Belt           |
| 7        | 12729600/0  | 1    | Screw                      |
| 8        | 12523040/0  | 2    | Washer                     |
| 9        | 22034000/0  | 1    | Washing Connection         |
| 10       | 19035000/0  | 1    | Or Ring                    |
| 11       | 12728519/0  | 3    | Screw                      |
| 12       | 322060144/3 | 1    | Deck, Adjustment           |
| 13       | 22570200/0  | 1    | Plate, Cutting Positions   |
| 14       | 12728520/0  | 1    | Screw                      |
| 15       | 12155000/0  | 2    | Nut                        |
| 17       | 22778397/1  | 1    | Bracket, L                 |
| 20       | 22778396/1  | 1    | Bracket, R                 |
| 21       | 22601001/0  | 1    | Protection                 |
| 22       | 12155000/0  | 2    | Nut                        |
| 23       | 12793301/0  | 2    | Screw                      |
| 24       | 22595352/0  | 1    | Inspection Door            |
| 25       | 12729600/0  | 1    | Screw                      |
| 26       | 22108205/0  | 1    | Conveyor                   |
| 27       | 12789000/0  | 1    | Screw                      |
| 28       | 12523020/0  | 1    | Washer                     |
| 29       | 12154330/0  | 1    | Nut                        |
| 30       | 12731350/0  | 4    | Screw                      |
| 31       | 22545147/0  | 2    | Plate                      |
| 33       | 22038407/0  | 2    | Brass                      |
| 34       | 12731350/0  | 4    | Screw                      |
| 35       | 22545156/0  | 2    | Plate                      |
| 36       | 22038400/1  | 2    | Brass                      |
| 51       | 381002865/1 | 1    | Axle, Front Wheels         |
| 58       | 381002040/1 | 1    | Rod, Height Adjustment     |
| 59       | 12000930/0  | 2    | Snap Ring                  |
| 61       | 122446187/0 | 1    | Spring                     |
| 62       | 12604899/0  | 2    | Crown Fastener             |
| 63       | 22529662/0  | 1    | Fulcrum Pin                |
| 64       | 22672151/0  | 1    | Washer                     |
| 65       | 81001269/0  | 1    | Rod, Rear Wheels Axle      |
| 66       | 381000479/2 | 1    | Sector, Height Adjustment  |
| 67       | 22672152/0  | 1    | Washer                     |
| 68       | 22785109/0  | 1    | Support, Height Adjustment |
| 69       | 12293201/0  | 1    | Nut                        |
| 70       | 12793301/0  | 2    | Screw                      |
| 71       | 22785113/0  | 1    | Support, Handle            |
| 72       | 12293201/0  | 2    | Nut                        |
| 73       | 12729600/0  | 1    | Screw                      |
| 74       | 12793301/0  | 1    | Screw                      |
| 75       | 25038002/1  | 2    | Bush                       |
| 76       | 322393611/2 | 1    | Handle                     |
| 78       | 12293201/0  | 1    | Nut                        |
| 79       | 12622640/0  | 1    | Pin                        |
| 80       | 22446175/0  | 1    | Spring                     |



| Position | Part No.    | Q.Ty | Description              |
|----------|-------------|------|--------------------------|
| 1        | 381006670/2 | 1    | Handgrip                 |
| 2        | 381003349/0 | 1    | Lever, Driving           |
| 3        | 381003344/0 | 1    | Lever, Engine Brake      |
| 4        | 22430309/0  | 1    | Guide Spring             |
| 5        | 12154330/0  | 1    | Nut                      |
| 6        | 381007046/0 | 2    | Handle Black, R          |
| 7        | 112735662/1 | 4    | Screw                    |
| 8        | 322041967/0 | 4    | Bush                     |
| 9        | 12154510/0  | 3    | Nut                      |
| 10       | 112728721/0 | 2    | Screw                    |
| 11       | 12727786/0  | 1    | Screw                    |
| 12       | 181030077/0 | 1    | Cable, Thread Eng. Brake |
| 13       | 381030078/0 | 1    | Cable, Rear Drive        |
| 14       | 181007199/0 | 1    | Throttle Cable           |
| 15       | 322806644/0 | 2    | Protection               |
| 16       | 12727812/0  | 2    | Screw                    |
| 17       | 112523000/1 | 2    | Washer                   |
| 19       | 322488301/0 | 1    | Support , R              |
| 20       | 322488303/0 | 1    | Support, L               |
| 21       | 122671651/0 | 2    | Washer                   |
| 22       | 112819105/0 | 2    | Screw                    |
| 23       | 322399804/1 | 2    | Knob                     |
| 24       | 12293200/0  | 2    | Nut                      |
| 25       | 112793301/0 | 2    | Screw                    |
| 26       | 112155000/0 | 2    | Nut                      |
| 27       | 18203854/0  | 2    | Protection               |

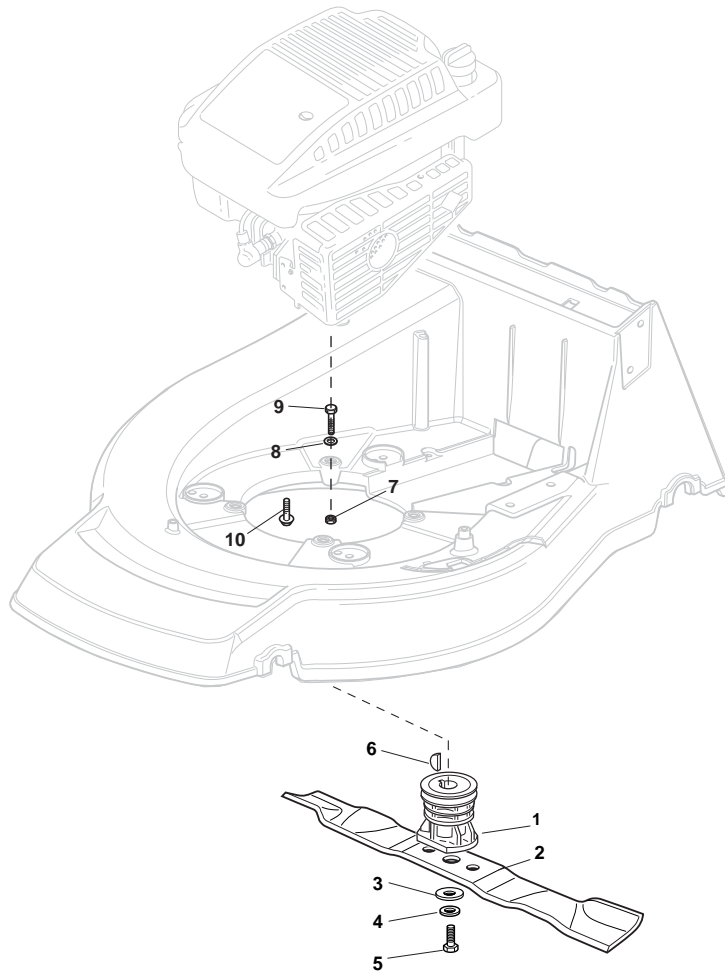


| Position | Part No.   | Q.Ty | Description                     |
|----------|------------|------|---------------------------------|
| 1        | 12608600/0 | 2    | Seeger                          |
| 2        | 22570120/1 | 1    | Pinion L                        |
| 3        | 22120105/1 | 2    | Ring Gear                       |
| 4        | 22600091/1 | 2    | Protection, Wheel               |
| 5        | 22570110/1 | 1    | Pinion R                        |
| 6        | 12608600/0 | 2    | Seeger                          |
| 7        | 19216035/0 | 2    | Bearing                         |
| 8        | 81002811/0 | 1    | Axle, Rear Wheels               |
| 9        | 22753000/0 | 2    | Pin                             |
| 10       | 81003082/1 | 1    | Gear Box (Bi. Ci. Di.)          |
| 10       | 81003079/0 | 1    | Gear Box (General Transmission) |
| 11       | 22601909/0 | 1    | Pulley                          |
| 12       | 12645705/0 | 1    | Pin                             |
| 13       | 22033281/0 | 1    | Adjustment Rod                  |
| 14       | 22041957/1 | 1    | Bush                            |
| 15       | 22450063/0 | 1    | Spring                          |
| 16       | 22680009/0 | 1    | Washer                          |
| 17       | 12154510/0 | 1    | Nut                             |
| 18       | 22110230/0 | 1    | Cap                             |
| 19       | 35064195/0 | 1    | Belt                            |

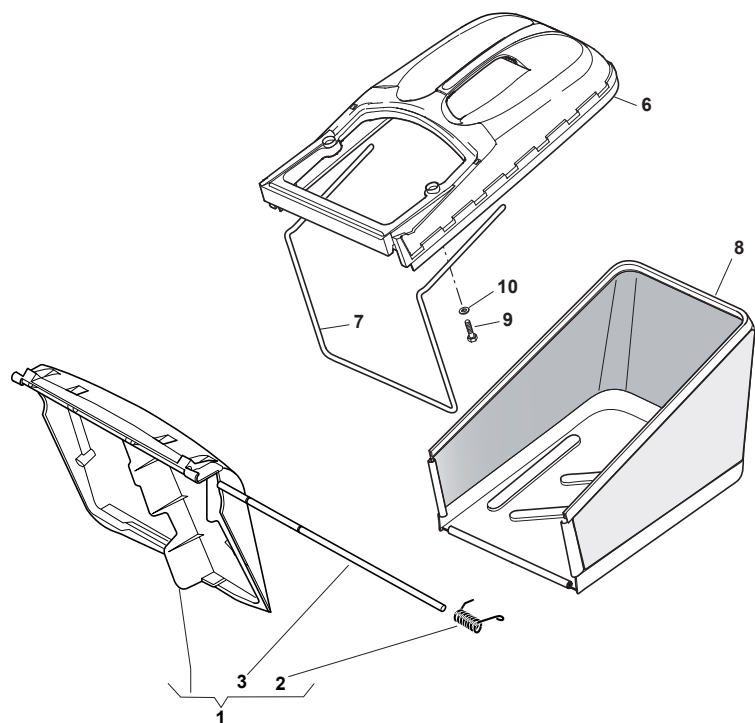




| Position | Part No.   | Q.Ty | Description |
|----------|------------|------|-------------|
| 1        | 22110419/0 | 4    | Hub Cap     |
| 2        | 81007382/0 | 2    | Wheel Ø 210 |
| 3        | 22122200/0 | 8    | Bearing     |
| 4        | 22675100/0 | 4    | Washer      |
| 5        | 12521350/0 | 4    | Washer      |



| Position | Part No.    | Q.Ty | Description                      |
|----------|-------------|------|----------------------------------|
| 1        | 122465608/2 | 1    | Hub With Pulley, Crankshaft Ø 25 |
| 2        | 81004383/0  | 1    | Blade Standard                   |
| 3        | 22160400/0  | 1    | Elastic Washer                   |
| 4        | 12523080/0  | 1    | Washer                           |
| 5        | 12735698/0  | 1    | Screw                            |
| 6        | 12139150/0  | 1    | Feather, Crankshaft Ø 25         |
| 7        | 12155000/0  | 3    | Nut                              |
| 8        | 12521350/0  | 3    | Washer                           |
| 9        | 12692080/0  | 1    | Screw (Only for B&S Engine)      |
| 9        | 12691800/0  | 2    | Screw (Only for B&S Engine)      |
| 10       | 112735108/1 | 3    | Screw                            |



| Position | Part No.    | Q.Ty | Description      |
|----------|-------------|------|------------------|
| 1        | 381008050/0 | 1    | Stone-Guard      |
| 2        | 22451000/0  | 1    | Spring           |
| 3        | 22517857/0  | 1    | Pin              |
| 6        | 22486102/0  | 1    | Grass-Box, Upper |
| 7        | 22608526/0  | 1    | Stiffening Lower |
| 8        | 81002212/0  | 1    | Box, Fabric      |
| 9        | 12728680/0  | 2    | Screw            |
| 10       | 12523050/0  | 2    | Washer           |