

Genuine Spare Parts

www.stiga.com

MULTICLIP RENTAL 53 S B Model Year 2012

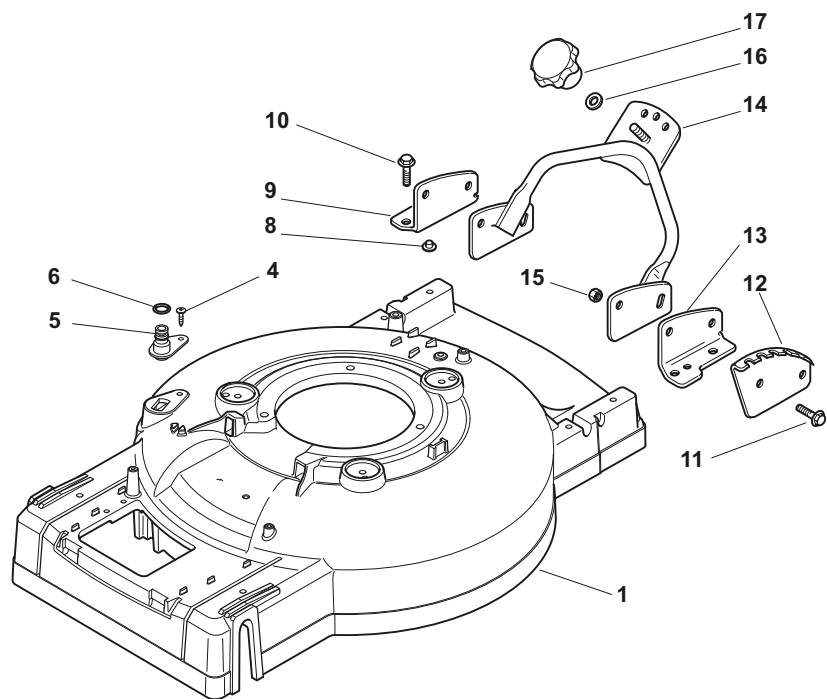
- Use GLOBAL GARDEN PRODUCT Genuine Spare Parts specified in the parts list for repair and/or replacement.
- The contents described in the parts list may change due to improvement.
- The drawings of the spare parts are only indicative and might not represent the part in question exactly.
- The indications "right" - "left" - "front" - "rear" refer to the position of the operator when using the machine.
- When placing orders of parts for repair and/or replacement, make sure that the illustrated parts list is the one applying to the machine's year of manufacture, as shown on the identification plate attached to the machine.

© Copyright 2012 Global Garden Products

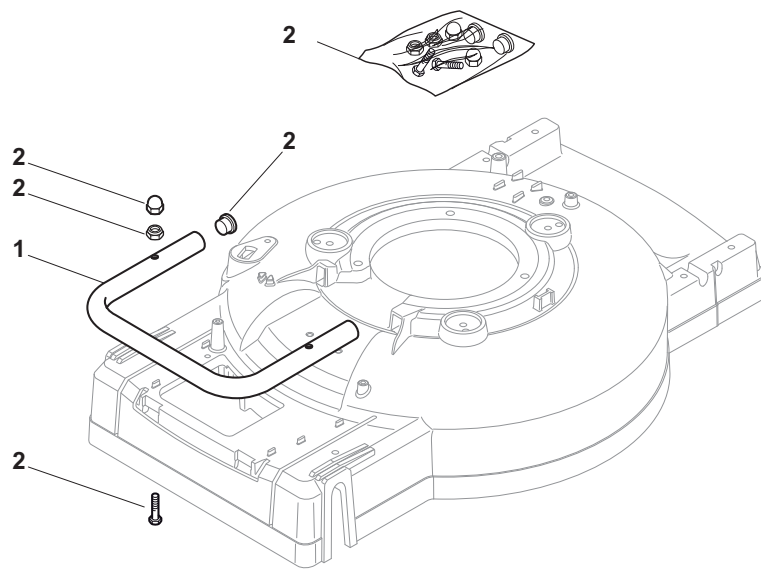
All content is subject to copyright by Global Garden Products and may not be reproduced in whole or in part by any means, electronic or otherwise, without prior written approval.

THIS INFORMATION IS NOT INTENDED FOR SALE OR RESALE, AND THIS NOTICE MUST REMAIN ON ALL COPIES.

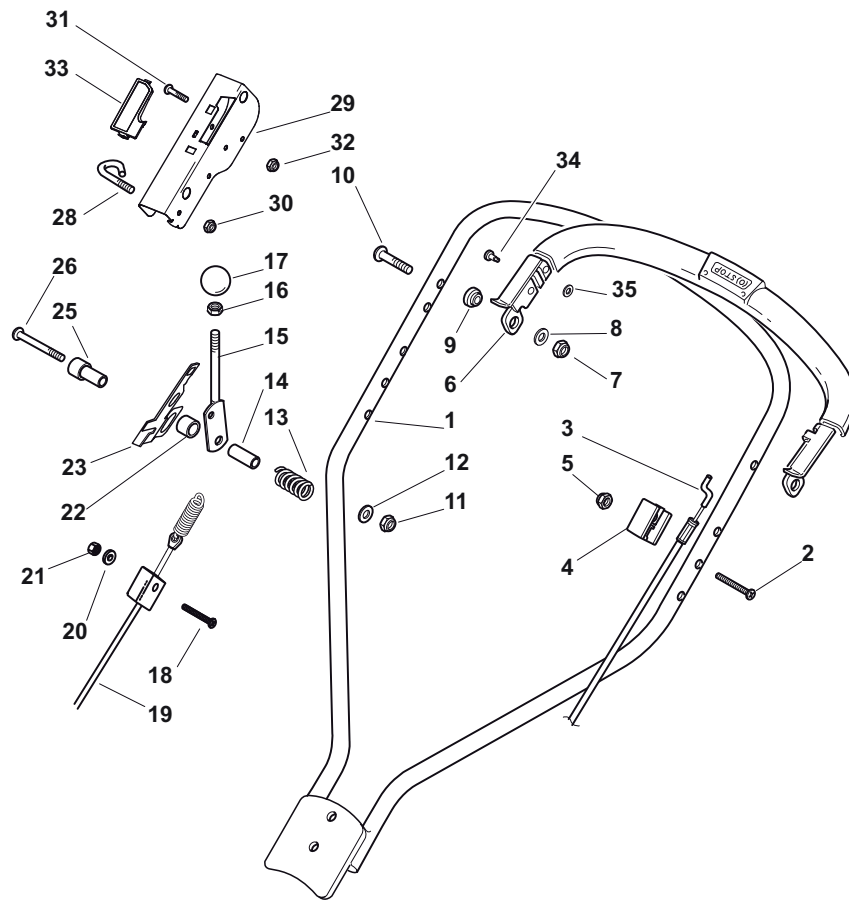




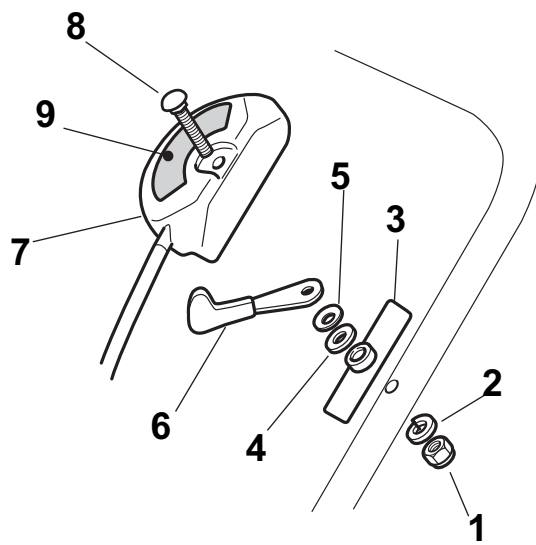
Position	Part No.	Q.Ty	Description
1	381003631/0	1	Deck Grey
4	12728519/0	1	Screw
5	22034000/0	1	Washing Connection
6	19035000/0	1	Or Ring
8	22820054/0	2	Cap
9	22778417/0	1	Bracket, R
10	12735595/0	4	Screw
11	12800815/0	4	Screw
12	22735569/0	1	Sector, Height Adjustment
13	22778415/0	1	Bracket, L
14	181006361/1	1	Handle, Lower Part Yellow
15	12293200/0	4	Nut
16	12523080/0	1	Washer
17	22399813/0	1	Knob



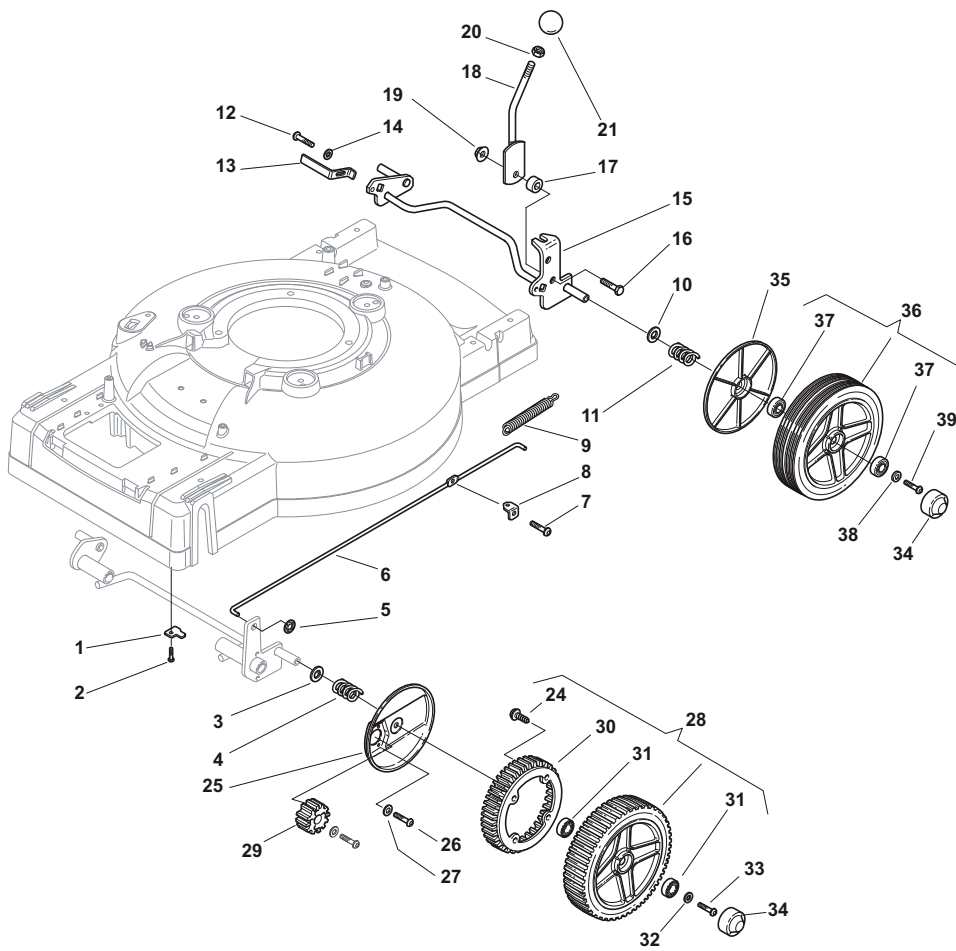
Position	Part No.	Q.Ty	Description
1	22869713/0	1	Protection
2	81008657/0	1	Outfit, Screws



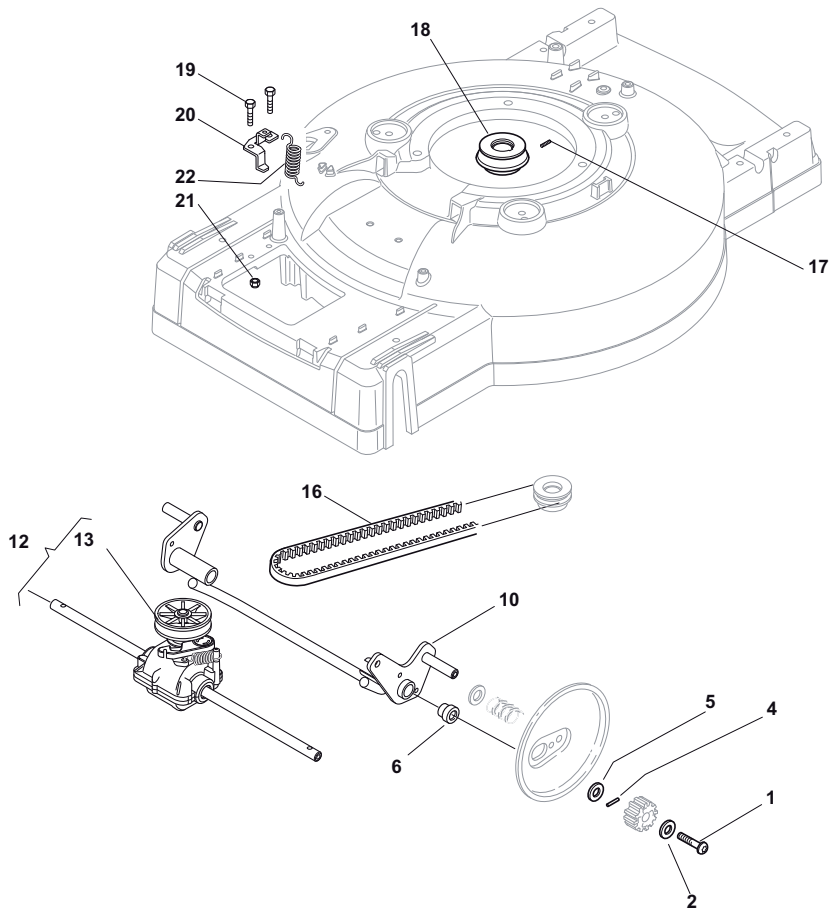
Position	Part No.	Q.Ty	Description
1	181006363/2	1	Handle, Upper Part Yellow
2	12727783/0	1	Screw
3	81000730/0	1	Cable, Thread Engine Brake
4	22551640/0	1	Plate
5	12154510/0	1	Nut
6	81003318/1	1	Lever, Engine Brake
7	12154510/0	2	Nut
8	12521330/0	2	Washer
9	22671660/1	2	Washer
10	12727784/0	2	Screw
11	12292100/0	1	Nut
12	12530060/0	1	Washer
13	22450446/0	1	Spring
14	22170840/0	1	Spacer
15	81003313/0	1	Lever, Driving
16	12293200/0	1	Nut
17	22399812/0	1	Knob
18	12727791/0	1	Screw
19	381000746/1	1	Cable, Rear Drive
20	12521330/0	1	Washer
21	12154510/0	1	Nut
22	22170843/0	1	Spacer
23	22551653/0	1	Plate
25	22170842/0	1	Spacer
26	12727786/0	1	Screw
28	22430314/0	1	Spring
29	81004405/0	1	Dash Board
30	12154510/0	1	Nut
31	12727792/0	1	Screw
32	12154510/0	1	Nut
33	22500050/0	1	Shoe
34	22524342/0	1	Pin
35	12604897/0	1	Snap Ring



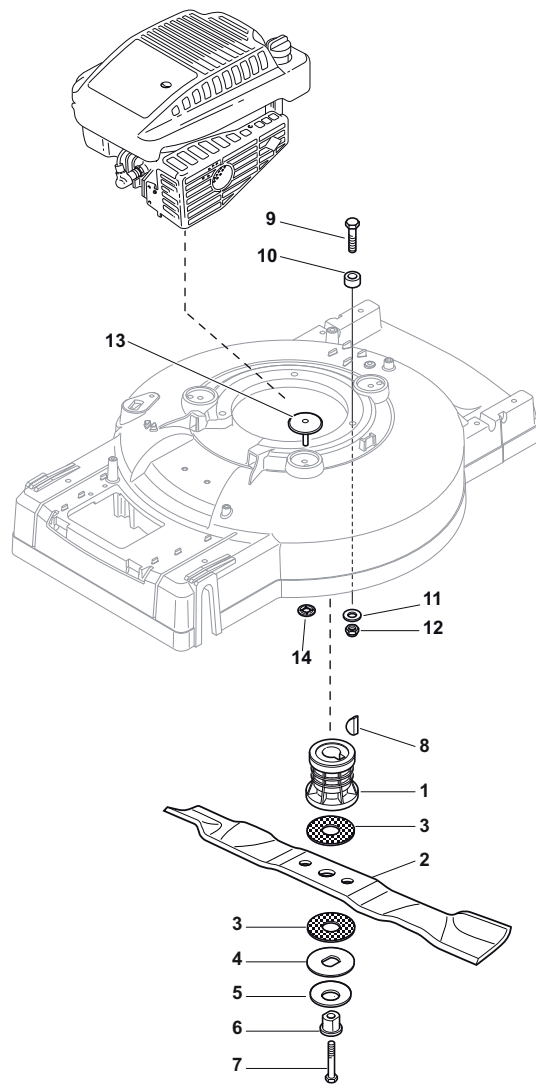
Position	Part No.	Q.Ty	Description
1	12291000/0	1	Nut
2	12581500/0	1	Grower
3	22171006/0	1	Spacer
4	12521360/0	1	Washer
5	12508100/0	1	Spring Washer
6	81007279/1	1	Lever, Throttle
7	81007080/0	1	Throttle Cable
8	12815030/0	1	Screw
9	114356905/0	1	Label



Position	Part No.	Q.Ty	Description
1	322545157/1	2	Plate
2	112735662/1	4	Screw
3	22671659/0	2	Washer
4	22430215/0	2	Spring
5	12604899/0	2	Crown Fastner
6	22033328/0	1	Rod, Height Adjustment Control
7	12735651/0	1	Screw
8	22545139/0	1	Plate
9	22446183/0	1	Spring
10	22671659/0	2	Washer
11	22430215/0	2	Spring
12	12735661/0	2	Screw
13	22551529/0	2	Plate
14	12521330/0	2	Washer
15	81002835/0	1	Axle, Rear Wheels
16	12793701/0	1	Screw
17	22170830/0	1	Spacer
18	81003317/0	1	Lever, Height Adjustment
19	12293201/0	1	Nut
20	12293200/0	1	Nut
21	22399812/0	1	Knob
24	12728210/0	4	Screw
25	22600129/0	2	Protection, Wheel
26	12735661/0	4	Screw
27	12521330/0	4	Washer
28	81007367/0	2	Wheel Ø 205
29	22570128/0	2	Pinion
30	22120108/0	2	Ring Gear
31	19216038/0	4	Bearing
32	12521460/0	2	Washer
33	112735662/1	2	Screw
34	22110380/0	4	Hub Cap
35	22600130/0	2	Protection, Wheel
36	81007365/0	2	Wheel Ø 205
37	19216038/0	4	Bearing
38	12521460/0	2	Washer
39	112735662/1	2	Screw



Position	Part No.	Q.Ty	Description
1	112735662/1	2	Screw
2	12521460/0	2	Washer
4	22753002/0	2	Pin
5	22671661/0	2	Washer
6	22038406/0	2	Spacer
10	381002833/1	1	Axle, Front Wheels
12	181003100/0	1	Gear Box
13	22601919/0	1	Pulley
16	35064010/0	1	Belt
17	12714312/0	1	Dowel
18	22601917/0	1	Pulley, Crankshaft Ø 22
19	12791011/0	2	Screw
20	322551659/1	1	Plate
21	12154510/0	2	Nut
22	22450437/0	1	Spring



Position	Part No.	Q.Ty	Description
1	22465621/0	1	Hub With Pulley, Crankshaft Ø 22
2	81004139/0	1	Blade Winged
3	22672110/1	2	Clutch Washer
4	22672105/0	1	Washer
5	12508120/0	1	Cupped Spring
6	22041940/0	1	Clutch Bush
7	12736850/0	1	Screw
8	12139100/0	1	Feather, Crankshaft Ø 22.2
9	12692080/0	1	Screw
9	12691800/0	2	Screw
10	22170835/0	3	Spacer
11	12521350/0	3	Washer
12	12155000/0	3	Nut
13	22820057/0	2	Cap Black
14	12604899/0	2	Crown Fastener