

Genuine Spare Parts

www.stiga.com

MULTICLIP RENTAL 50 S B Model Year 2012

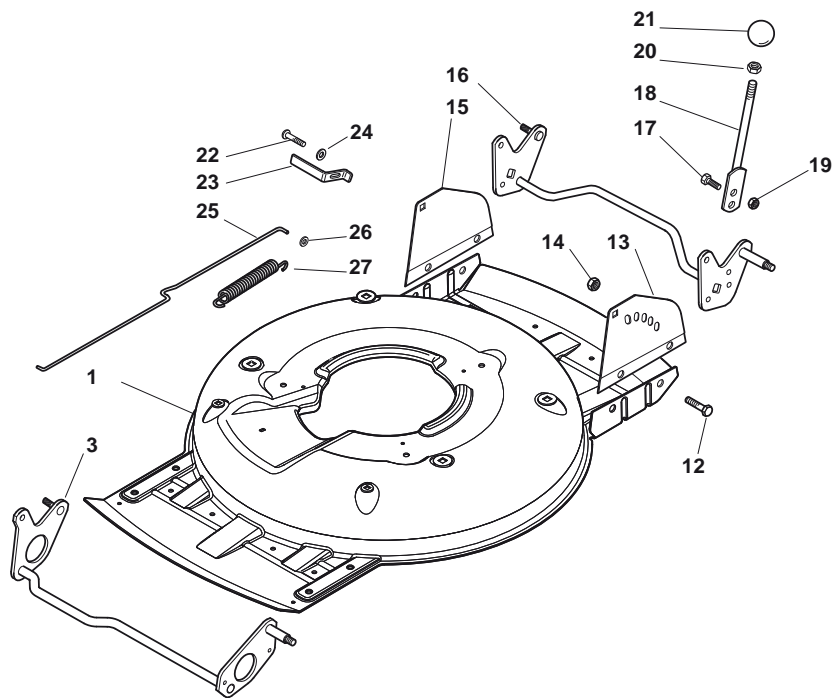
- Use GLOBAL GARDEN PRODUCT Genuine Spare Parts specified in the parts list for repair and/or replacement.
- The contents described in the parts list may change due to improvement.
- The drawings of the spare parts are only indicative and might not represent the part in question exactly.
- The indications "right" - "left" - "front" - "rear" refer to the position of the operator when using the machine.
- When placing orders of parts for repair and/or replacement, make sure that the illustrated parts list is the one applying to the machine's year of manufacture, as shown on the identification plate attached to the machine.

© Copyright 2012 Global Garden Products

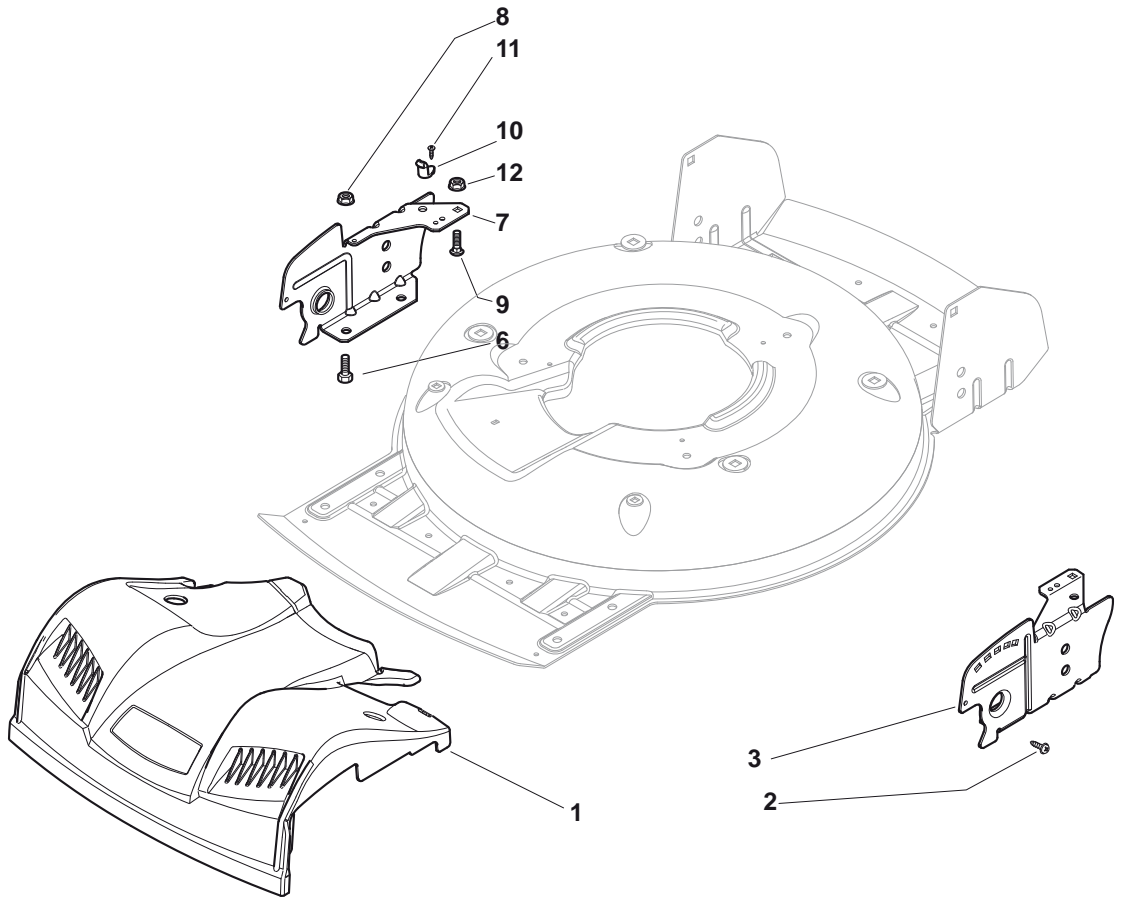
All content is subject to copyright by Global Garden Products and may not be reproduced in whole or in part by any means, electronic or otherwise, without prior written approval.

THIS INFORMATION IS NOT INTENDED FOR SALE OR RESALE, AND THIS NOTICE MUST REMAIN ON ALL COPIES.

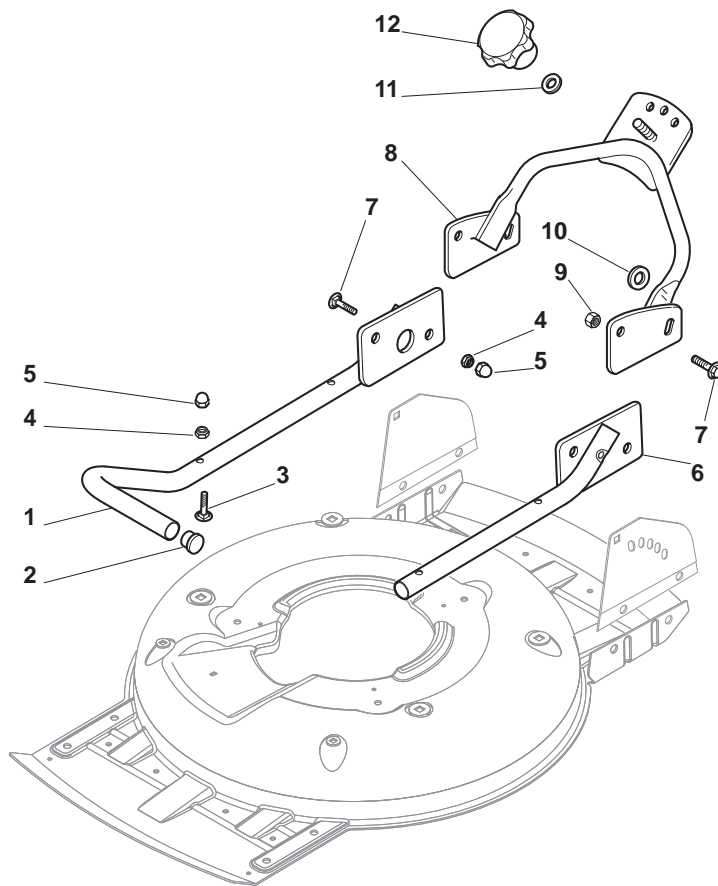




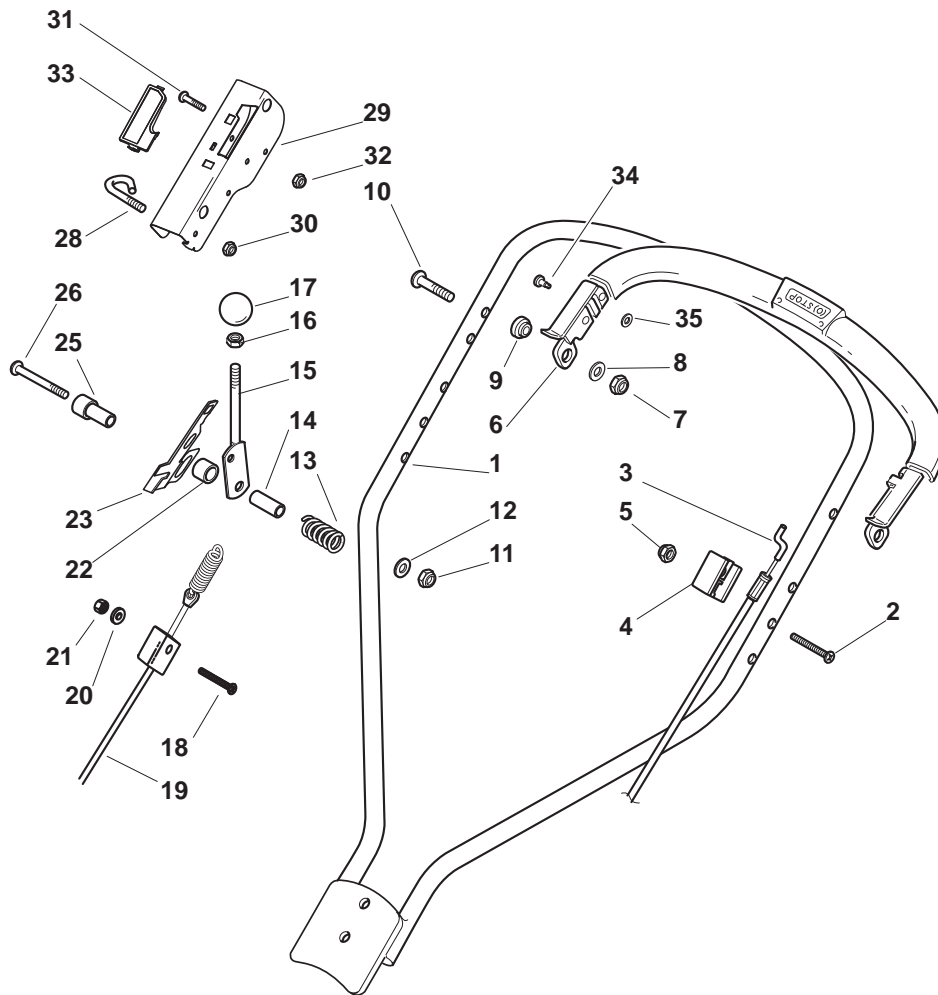
Position	Part No.	Q.Ty	Description
1	81002909/1	1	Deck Grey
3	81002849/0	1	Axle, Front Wheels
12	12791011/0	4	Screw
13	81545105/0	1	Left Plate
14	12154510/0	4	Nut
15	81545104/0	1	Right Plate
16	81002851/0	1	Axle, Rear Wheels
17	12789000/0	2	Screw
18	81003323/0	1	Lever, Height Adjustment
19	12154330/0	2	Nut
20	12293200/0	1	Nut
21	22399812/0	1	Knob
22	12735661/0	2	Screw
23	22551529/0	2	Plate
24	12521330/0	2	Washer
25	22033329/0	1	Rod, Height Adjustment Control
26	12604899/0	2	Crown Fastener
27	22446184/0	1	Spring



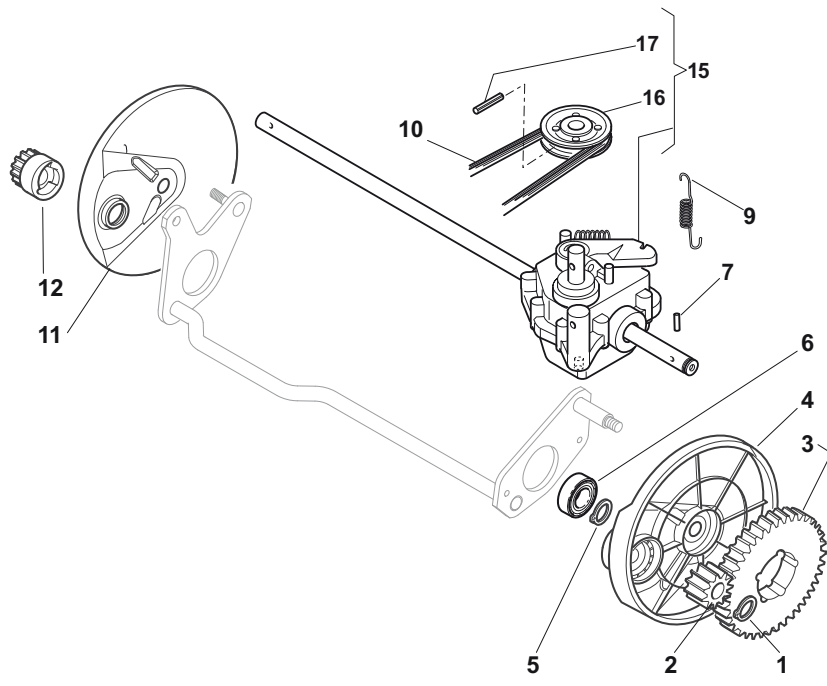
Position	Part No.	Q.Ty	Description
1	322226097/1	1	Mask, Yellow
2	12728523/0	2	Screw
3	22778421/0	1	Bracket, L
6	12792611/0	4	Screw
7	22778419/0	1	Bracket, R
8	12293201/0	4	Nut
9	12815200/0	2	Screw
10	22020400/0	2	Fairlead
11	12728523/0	2	Screw
12	12292102/0	2	Nut



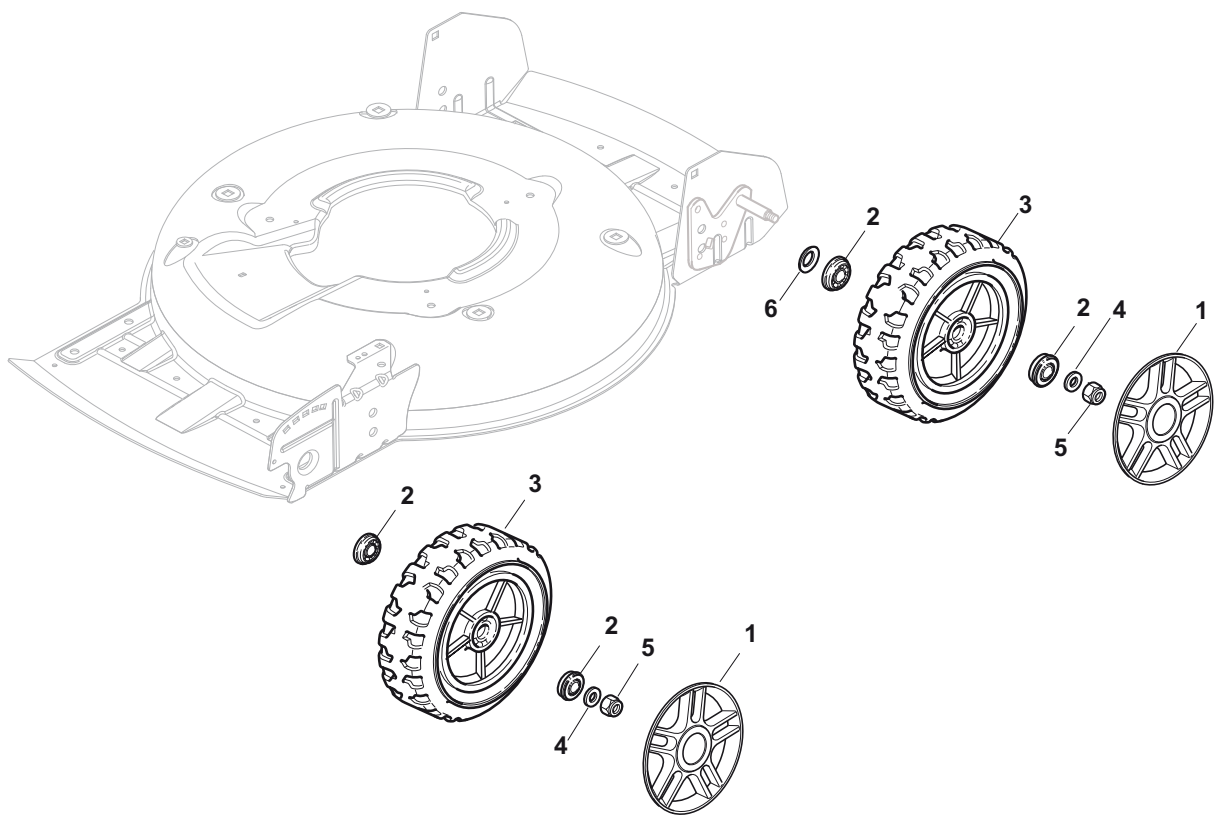
Position	Part No.	Q.Ty	Description
1	81006377/0	1	Right Handle, Lower Part Black
2	18566114/0	4	Cap
3	12819100/0	6	Screw
4	12155000/0	6	Nut
5	18203854/0	6	Protection
6	381006379/0	1	Left Handle, Lower Part Black
7	12793102/0	4	Screw
8	181006365/1	1	Handle, Middle Part Black
9	12155000/0	4	Nut
10	12523060/0	2	Washer
11	12523080/0	1	Washer
12	22399813/0	1	Knob



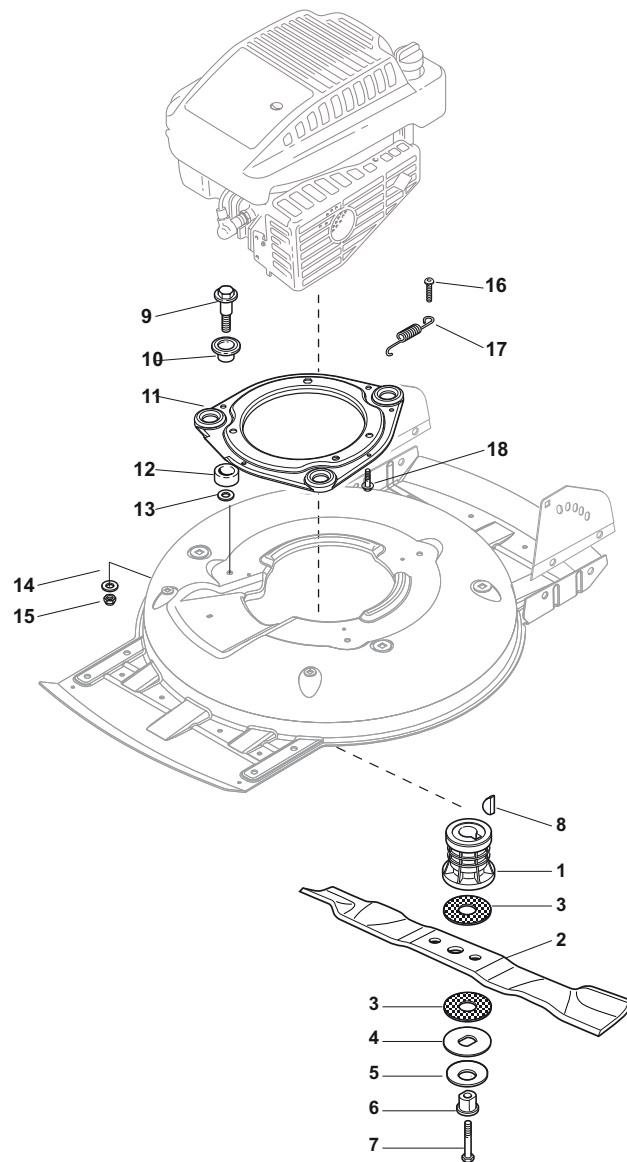
Position	Part No.	Q.Ty	Description
1	181006367/1	1	Handle, Upper Part Black
2	12727783/0	1	Screw
3	181000618/0	1	Cable, Thread Engine Brake
4	22551640/0	1	Plate
5	12154510/0	1	Nut
6	81003318/1	1	Lever, Engine Brake
7	12154510/0	2	Nut
8	12521330/0	2	Washer
9	22671660/1	2	Washer
10	12727784/0	2	Screw
11	12292100/0	1	Nut
12	12530060/0	1	Washer
13	22450446/0	1	Spring
14	22170840/0	1	Spacer
15	81003313/0	1	Lever, Driving
16	12293200/0	1	Nut
17	22399812/0	1	Knob
18	12727791/0	1	Screw
19	381000745/1	1	Cable, Rear Drive
20	12521330/0	1	Washer
21	12154510/0	1	Nut
22	22170843/0	1	Spacer
23	22551653/0	1	Plate
25	22170842/0	1	Spacer
26	12727786/0	1	Screw
28	22430314/0	1	Spring
29	81004405/0	1	Dash Board
30	12154510/0	1	Nut
31	12727792/0	1	Screw
32	12154510/0	1	Nut
33	22500050/0	1	Shoe
34	22524342/0	1	Pin
35	12604897/0	1	Snap Ring



Position	Part No.	Q.Ty	Description
1	12608600/0	2	Seeger
2	22570120/1	1	Pinion L
3	22120105/1	2	Ring Gear
4	22600092/0	1	Protection, R Wheel
5	12608600/0	2	Seeger
6	19216035/0	2	Bearing
7	22753000/0	2	Pin
9	22450437/0	1	Spring
10	35063902/0	1	Belt
11	22600093/0	1	Protection, L Wheel
12	22570110/1	1	Pinion R
15	181003109/1	1	Gear Box
16	22601909/0	1	Pulley
17	12645705/0	1	Pin



Position	Part No.	Q.Ty	Description
1	22110492/0	4	Hub Cap
2	22122200/0	8	Bearing
3	381007390/1	4	Wheel Ø 210
4	12521350/0	4	Washer
5	12155000/0	4	Nut
6	12530150/0	2	Elastic Washer



Position	Part No.	Q.Ty	Description
1	22465611/0	1	Hub With Pulley, Crankshaft Ø 22
2	81004146/0	1	Blade Winged
3	22672110/1	2	Clutch Washer
4	22672105/0	1	Washer
5	12508120/0	1	Cupped Spring
6	22041940/0	1	Clutch Bush
7	12736850/0	1	Screw
8	12139100/0	1	Feather, Crankshaft Ø 22.2
9	22524329/0	3	Pin
10	22672201/0	3	Washer
11	22207225/0	1	Flange, Black
12	22250012/0	3	Grommet
13	22671651/0	3	Washer
14	12521350/0	3	Washer
15	12155000/0	3	Nut
16	12791400/0	1	Screw
17	22450444/0	1	Spring
18	112735108/1	3	Screw