

Genuine Spare Parts

www.stiga.com

MULTICLIP EURO 50 SH Model Year 2012

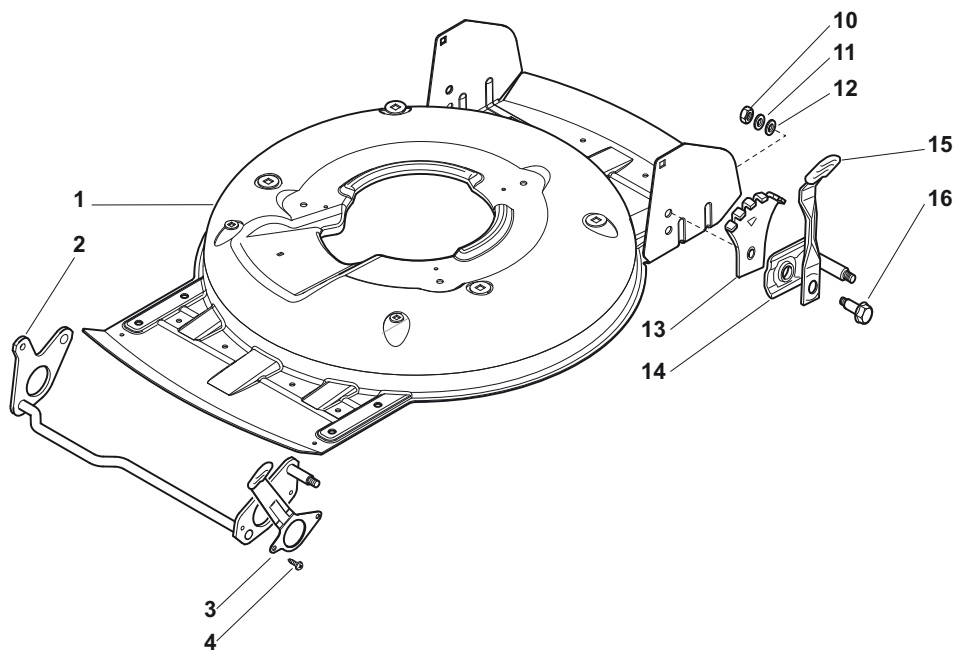
- Use GLOBAL GARDEN PRODUCT Genuine Spare Parts specified in the parts list for repair and/or replacement.
- The contents described in the parts list may change due to improvement.
- The drawings of the spare parts are only indicative and might not represent the part in question exactly.
- The indications "right" - "left" - "front" - "rear" refer to the position of the operator when using the machine.
- When placing orders of parts for repair and/or replacement, make sure that the illustrated parts list is the one applying to the machine's year of manufacture, as shown on the identification plate attached to the machine.

© Copyright 2012 Global Garden Products

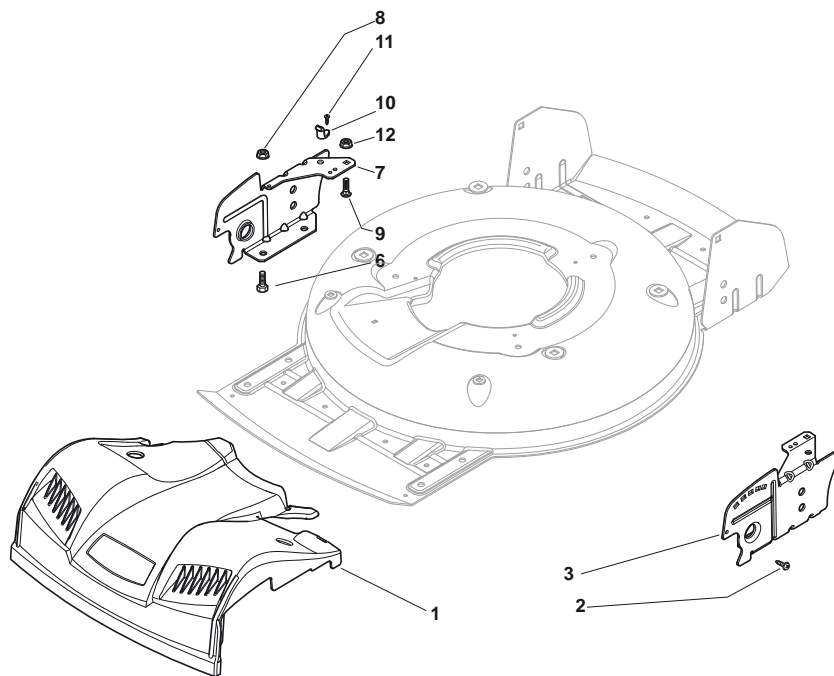
All content is subject to copyright by Global Garden Products and may not be reproduced in whole or in part by any means, electronic or otherwise, without prior written approval.

THIS INFORMATION IS NOT INTENDED FOR SALE OR RESALE, AND THIS NOTICE MUST REMAIN ON ALL COPIES.

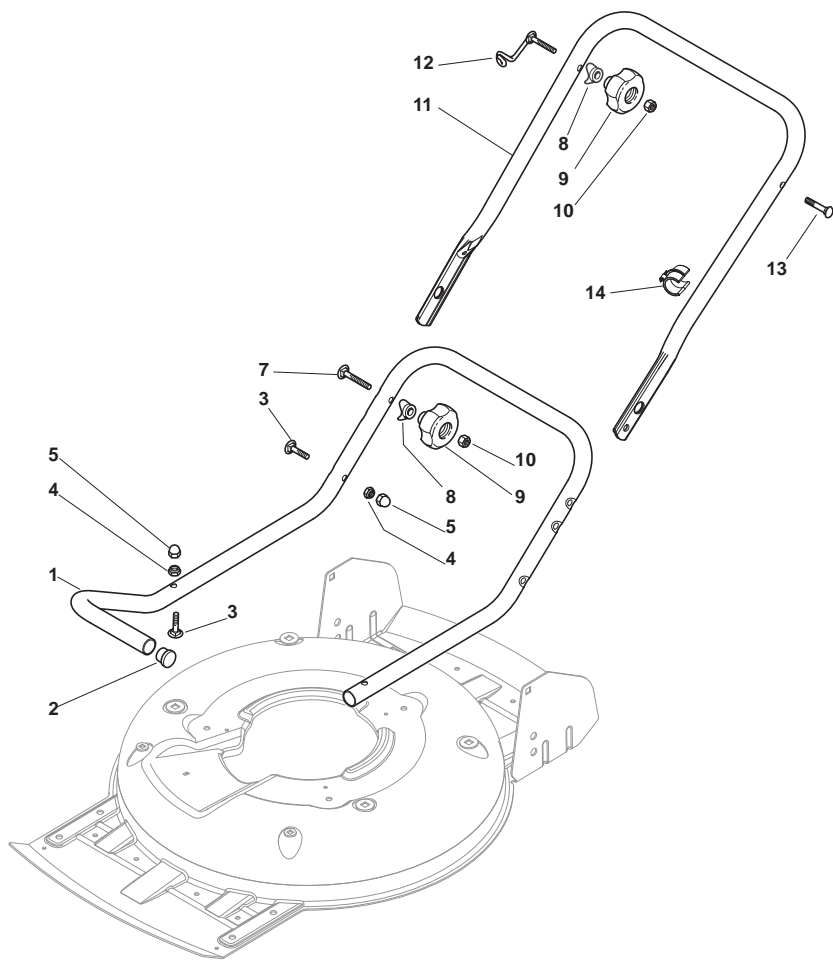




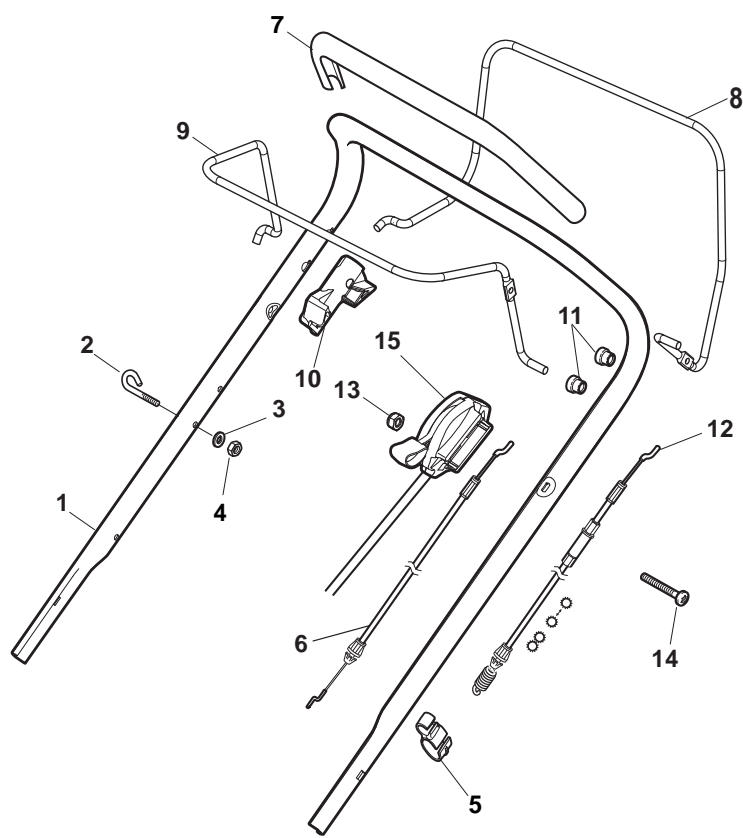
Position	Part No.	Q.Ty	Description
1	81002907/1	1	Deck Yellow
2	81002849/0	1	Axle, Rear Wheels
3	81003276/0	1	Lever, Height Adjustment
4	12735661/0	2	Screw
10	12293200/0	2	Nut
11	12583500/0	2	Grower
12	12523070/0	2	Washer
13	22735547/0	2	Sector, Height Adjustment
14	81005084/0	2	Support, Wheel
15	81003286/0	2	Lever, Height Adjustment
16	22519811/0	2	Pin



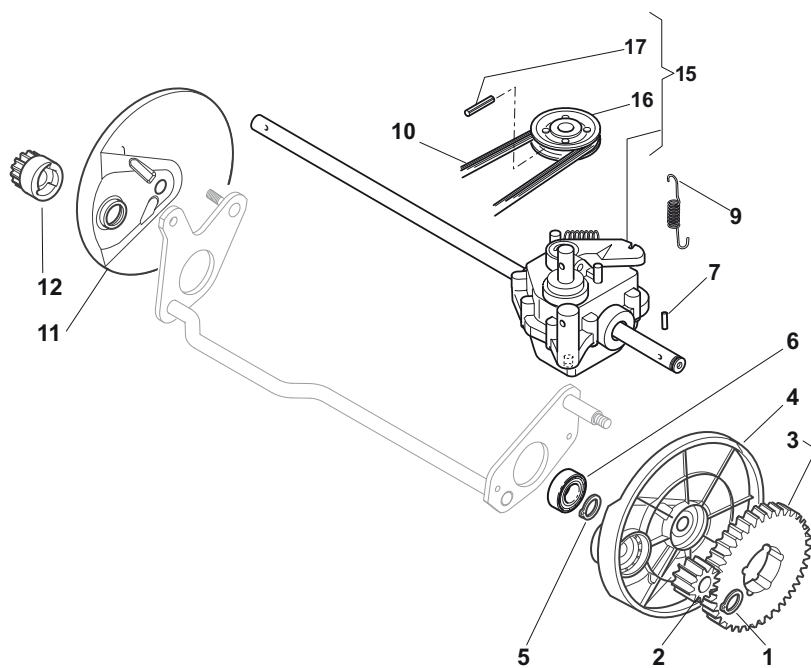
Position	Part No.	Q.Ty	Description
1	322226097/1	1	Mask, Yellow
2	12728523/0	2	Screw
3	22778421/0	1	Bracket, L
6	12792611/0	4	Screw
7	22778419/0	1	Bracket, R
8	12293201/0	4	Nut
9	12815200/0	2	Screw
10	22020400/0	2	Fairlead
11	12728523/0	2	Screw
12	12292102/0	2	Nut



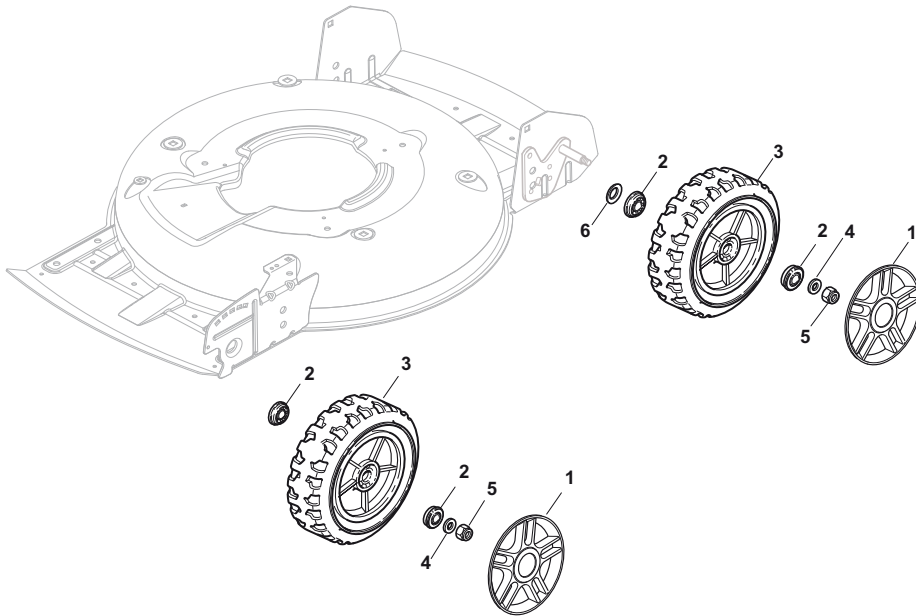
Position	Part No.	Q.Ty	Description
1	81006667/0	1	Handle, Lower Part
2	18566110/0	2	Cap
3	12818900/0	4	Screw
4	12155000/0	4	Nut
5	18203854/0	4	Protection
7	12819201/0	2	Screw
8	22680006/1	4	Washer
9	322399804/1	4	Knob
10	12293200/0	4	Nut
11	81006668/0	1	Handle, Middle Part
12	81003801/1	1	Guide Spring
13	12819201/0	1	Screw
14	118390020/0	1	Fairlead



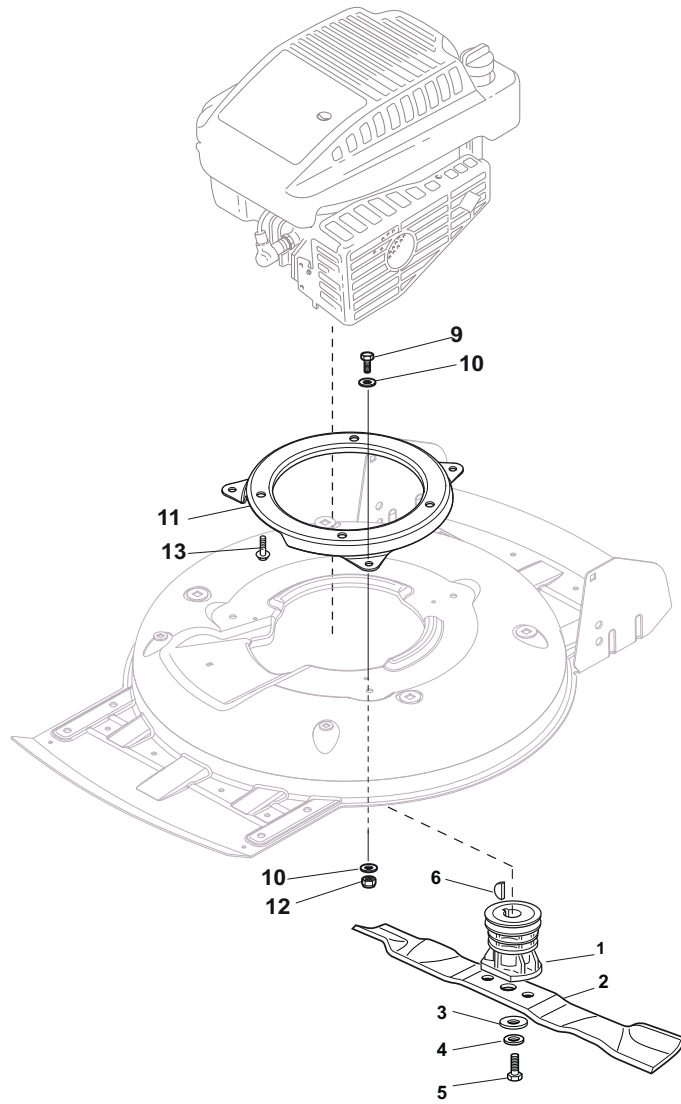
Position	Part No.	Q.Ty	Description
1	381007522/0	1	Handle, Upper Part
2	22430313/0	1	Guide Spring
3	12521330/0	1	Washer
4	12154510/0	1	Nut
5	118390020/0	1	Fairlead
6	181030056/0	1	Cable, Thread Engine Brake
7	22291050/0	1	Handgrip Black
8	181003363/1	1	Lever, Engine Brake Black
9	181003364/0	1	Lever, Driving Black
10	322545204/0	1	Fulcrum Pin
11	22041966/0	4	Bush
12	381030083/0	1	Cable, Rear Drive
13	12727783/0	1	Screw
14	12154510/0	1	Nut
15	181005517/0	1	Throttle Cable



Position	Part No.	Q.Ty	Description
1	12608600/0	2	Seeger
2	22570120/1	1	Pinion L
3	22120105/1	2	Ring Gear
4	22600092/0	1	Protection, R Wheel
5	12608600/0	2	Seeger
6	19216035/0	2	Bearing
7	22753000/0	2	Pin
9	22450437/0	1	Spring
10	35063902/0	1	Belt
11	22600093/0	1	Protection, L Wheel
12	22570110/1	1	Pinion R
15	81003095/0	1	Gear Box
16	22601909/0	1	Pulley
17	12645705/0	1	Pin



Position	Part No.	Q.Ty	Description
1	22110492/0	4	Hub Cap
2	22122200/0	8	Bearing
3	381007390/1	4	Wheel Ø 210
4	12521350/0	4	Washer
5	12155000/0	4	Nut
6	12530150/0	2	Elastic Washer



Position	Part No.	Q.Ty	Description
1	122465608/2	1	Hub With Pulley, Crankshaft Ø 25
2	81004146/0	1	Blade Standard
3	22160400/0	1	Elastic Washer
4	12523080/0	1	Washer
5	12735698/0	1	Screw
6	12139150/0	1	Feather, Crankshaft Ø 25
9	12792611/0	3	Screw
10	12523060/0	6	Washer
11	322207219/1	1	Flange
12	12293201/0	3	Nut
13	112735108/1	3	Screw