

Genuine Spare Parts

www.stiga.com

MULTICLIP 50 E SVAN Model Year 2012

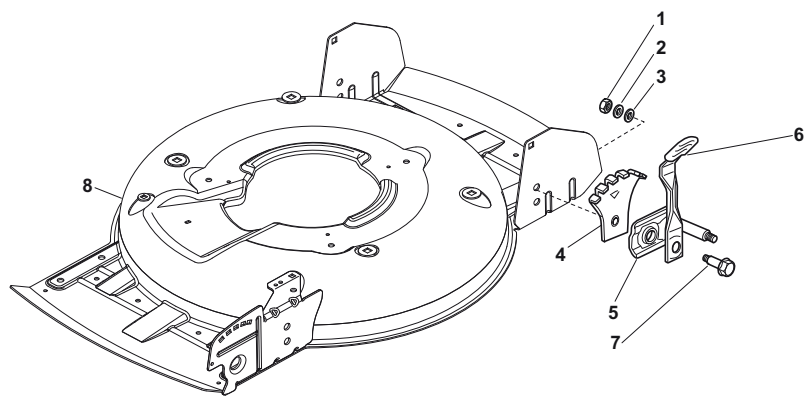
- Use GLOBAL GARDEN PRODUCT Genuine Spare Parts specified in the parts list for repair and/or replacement.
- The contents described in the parts list may change due to improvement.
- The drawings of the spare parts are only indicative and might not represent the part in question exactly.
- The indications "right" - "left" - "front" - "rear" refer to the position of the operator when using the machine.
- When placing orders of parts for repair and/or replacement, make sure that the illustrated parts list is the one applying to the machine's year of manufacture, as shown on the identification plate attached to the machine.

© Copyright 2012 Global Garden Products

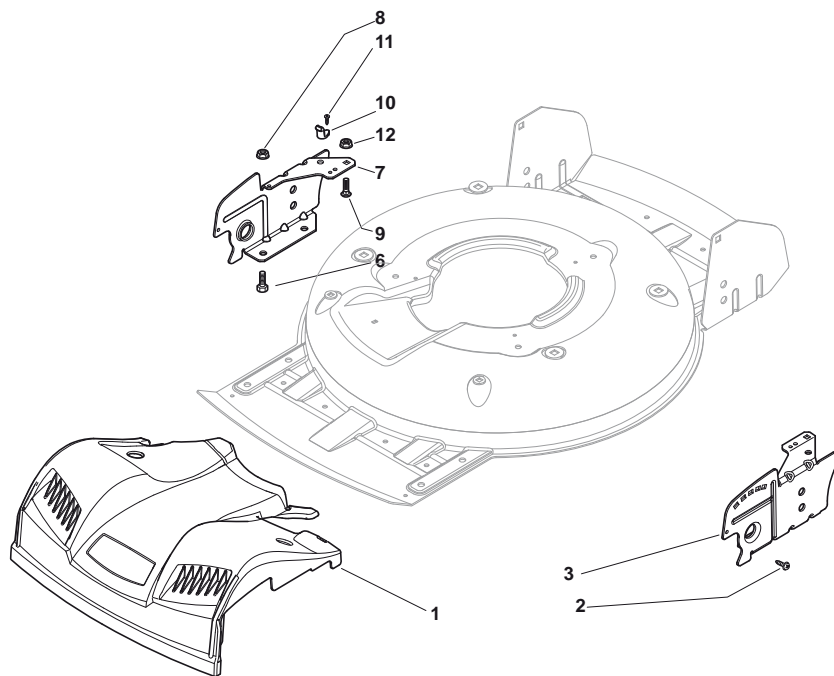
All content is subject to copyright by Global Garden Products and may not be reproduced in whole or in part by any means, electronic or otherwise, without prior written approval.

THIS INFORMATION IS NOT INTENDED FOR SALE OR RESALE, AND THIS NOTICE MUST REMAIN ON ALL COPIES.

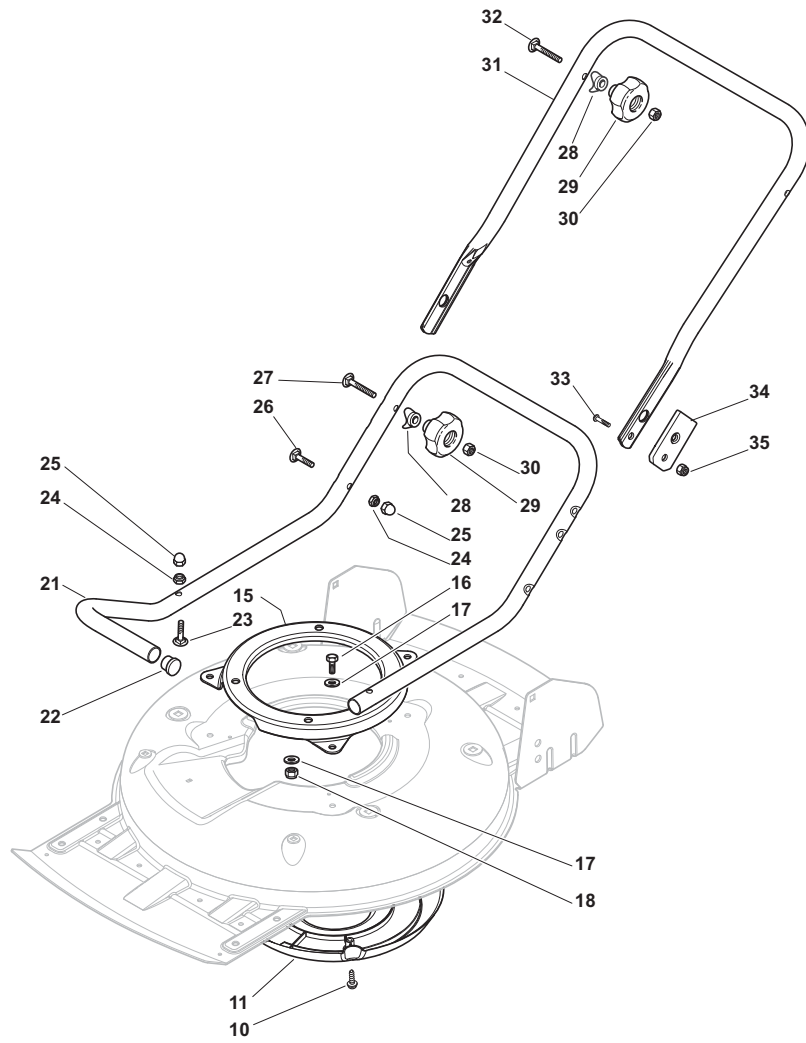




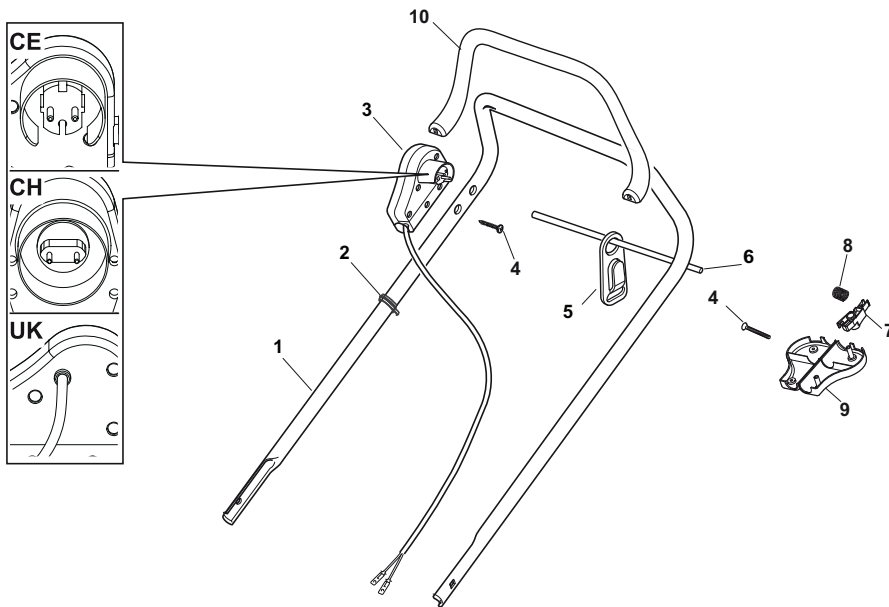
Position	Part No.	Q.Ty	Description
1	12293200/0	4	Nut
2	12583500/0	4	Grower
3	12523070/0	4	Washer
4	22735547/0	4	Sector, Height Adjustment
5	81005082/0	4	Support, Wheel
6	81003286/0	4	Lever, Height Adjustment
7	22519811/0	4	Pin
8	81002907/1	1	Deck Yellow
1	12293200/0	4	Nut
2	12583500/0	4	Grower
3	12523070/0	4	Washer
4	22735547/0	4	Sector, Height Adjustment
5	81005082/0	4	Support, Wheel
6	81003286/0	4	Lever, Height Adjustment
7	22519811/0	4	Pin
8	81002907/1	1	Deck Yellow



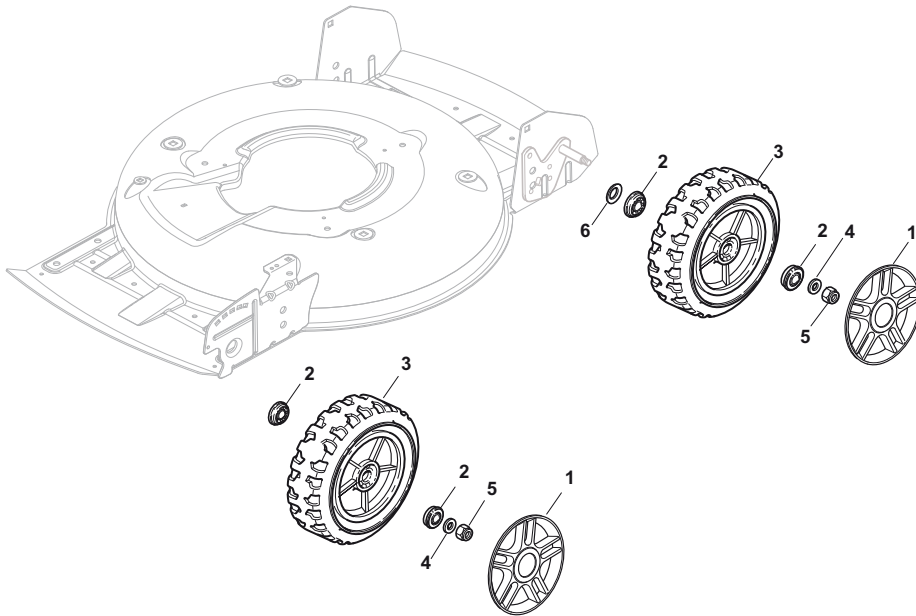
Position	Part No.	Q.Ty	Description
1	322226133/0	1	Mask, Black
2	12728523/0	2	Screw
3	22778421/0	1	Bracket, L
6	12792611/0	4	Screw
7	22778419/0	1	Bracket, R
8	12293201/0	4	Nut
9	12815200/0	2	Screw
10	22020400/0	2	Fairlead
11	12728523/0	2	Screw
12	12292102/0	2	Nut



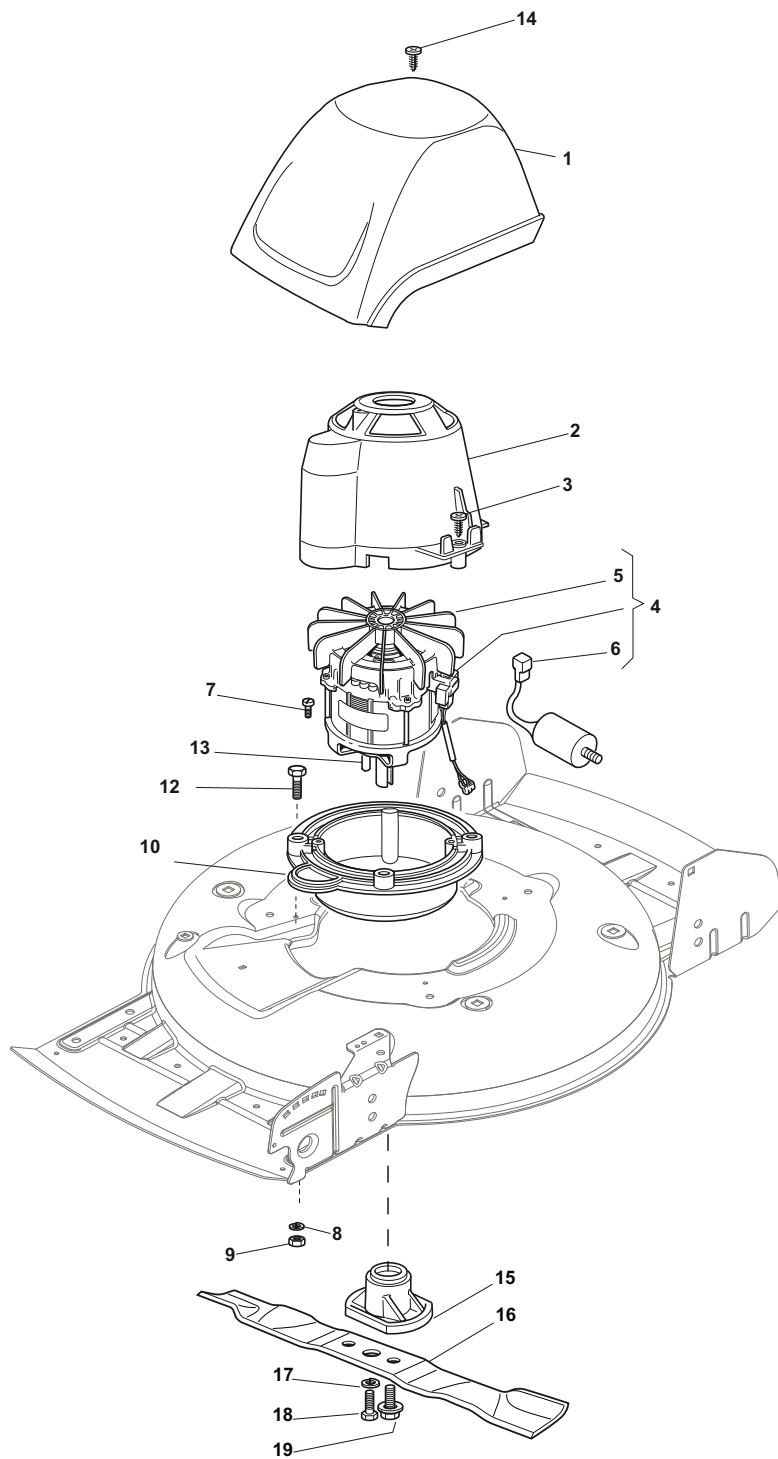
Position	Part No.	Q.Ty	Description
10	12728530/0	3	Screw
11	22060220/0	1	Protection
15	322207219/1	1	Flange
16	12792611/0	3	Screw
17	12523060/0	6	Washer
18	12293201/0	3	Nut
21	81006667/0	1	Handle, Lower Part
22	18566110/0	2	Cap
23	12818900/0	4	Screw
24	12155000/0	4	Nut
25	18203854/0	4	Protection
26	12818900/0	4	Screw
27	12819202/0	2	Screw
28	22680006/1	4	Washer
29	322399804/1	4	Knob
30	12293200/0	4	Nut
31	81006669/0	1	Handle, Middle Part
32	12819201/0	2	Screw
33	12760475/0	2	Screw
34	22551578/0	2	Plate
35	12154330/0	2	Nut



Position	Part No.	Q.Ty	Description
1	81007017/2	1	Handle, Upper Part
2	22192000/1	2	Anchor Clamp
3	381600503/3	1	Dead Hand Switch (CE)
3	381600505/4	1	Dead Hand Switch (UK)
3	381600504/3	1	Dead Hand Switch (CH)
4	12728701/0	4	Screw
5	322195101/4	1	Fairlead
6	22010251/0	1	Rod, Fairlead Bearing
7	322230350/1	1	Fulcrum Pin
8	22450115/0	1	Spring
9	322785144/1	1	Support
10	322322885/1	1	Lever, Engine Brake Yellow



Position	Part No.	Q.Ty	Description
1	22110492/0	4	Hub Cap
2	22122200/0	8	Bearing
3	381007390/1	4	Wheel Ø 210
4	12521350/0	4	Washer
5	12155000/0	4	Nut
6	12530150/0	2	Elastic Washer



Position	Part No.	Q.Ty	Description
1	22055053/1	1	Cover
2	22785061/0	1	Support, Cover
3	12728710/0	4	Screw
4	18563605/0	1	Motor Atb
4	118563665/0	1	Motor Leo
5	18740054/0	1	Condenser 16 µf
6	18222045/0	1	Fan Motor Atb
7	12735410/0	4	Screw
8	12583500/0	4	Grower
9	12293200/0	4	Nut
10	322207211/4	1	Flange
12	12793700/0	4	Screw
13	12139440/0	1	Feather
14	12728680/0	2	Screw
15	322463186/3	1	Hub
16	81004146/0	1	Blade Standard
17	12583500/0	2	Grower
18	12793101/0	2	Screw
19	381004352/1	1	Screw